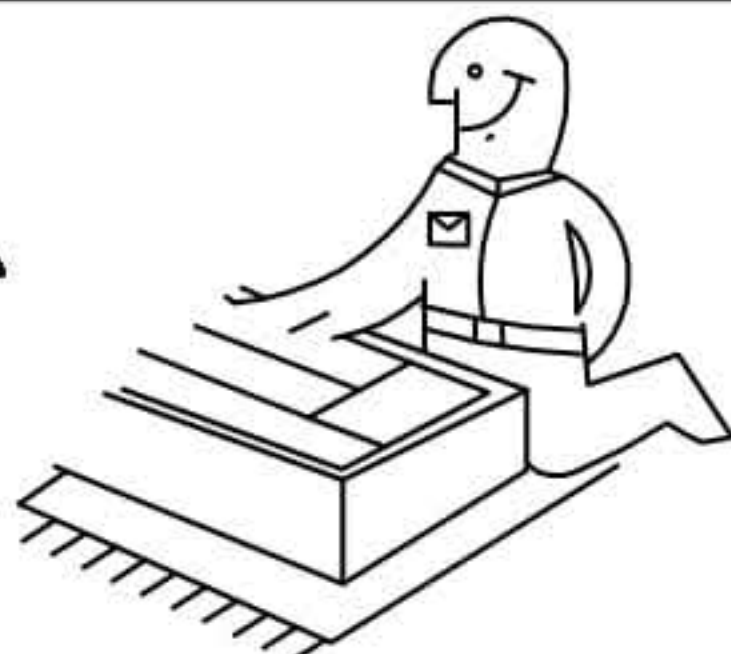
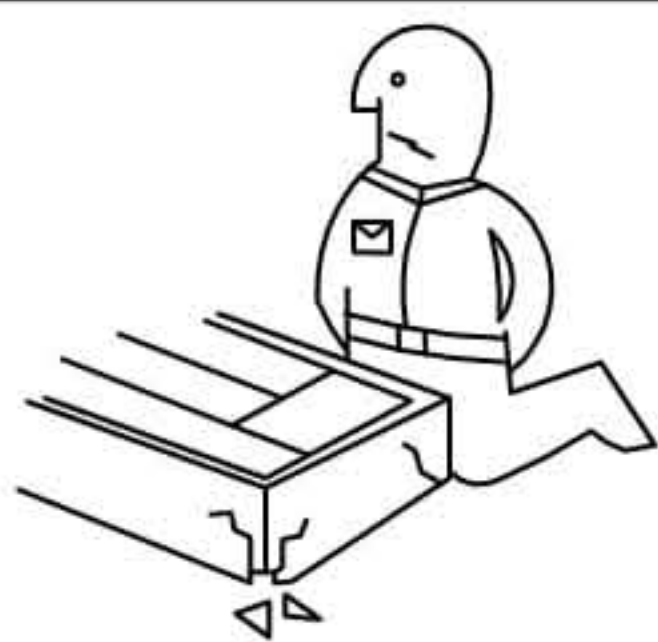
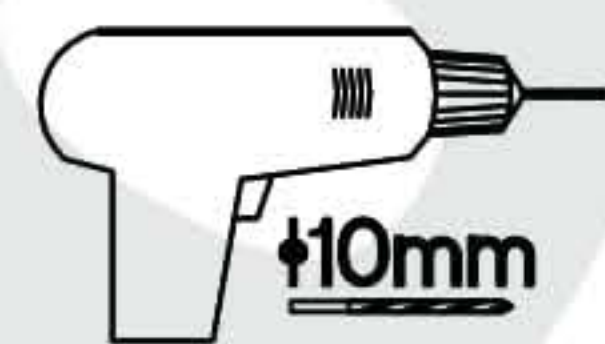
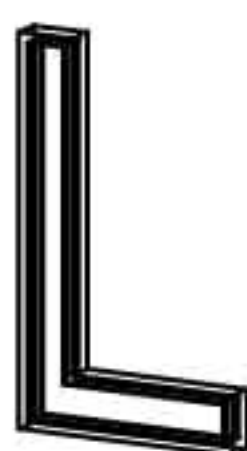
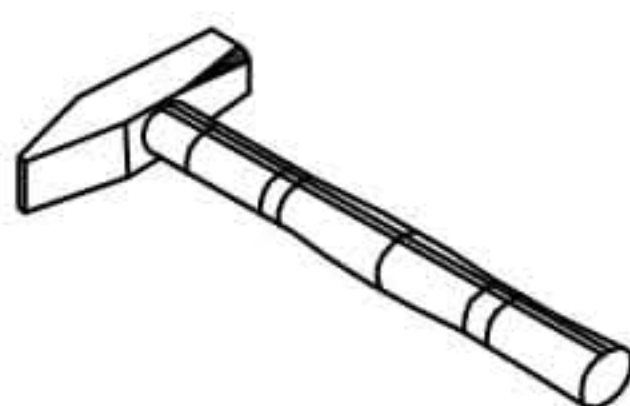
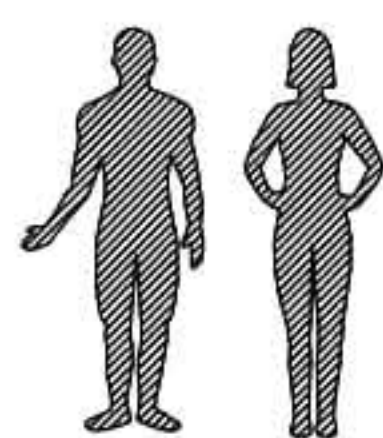
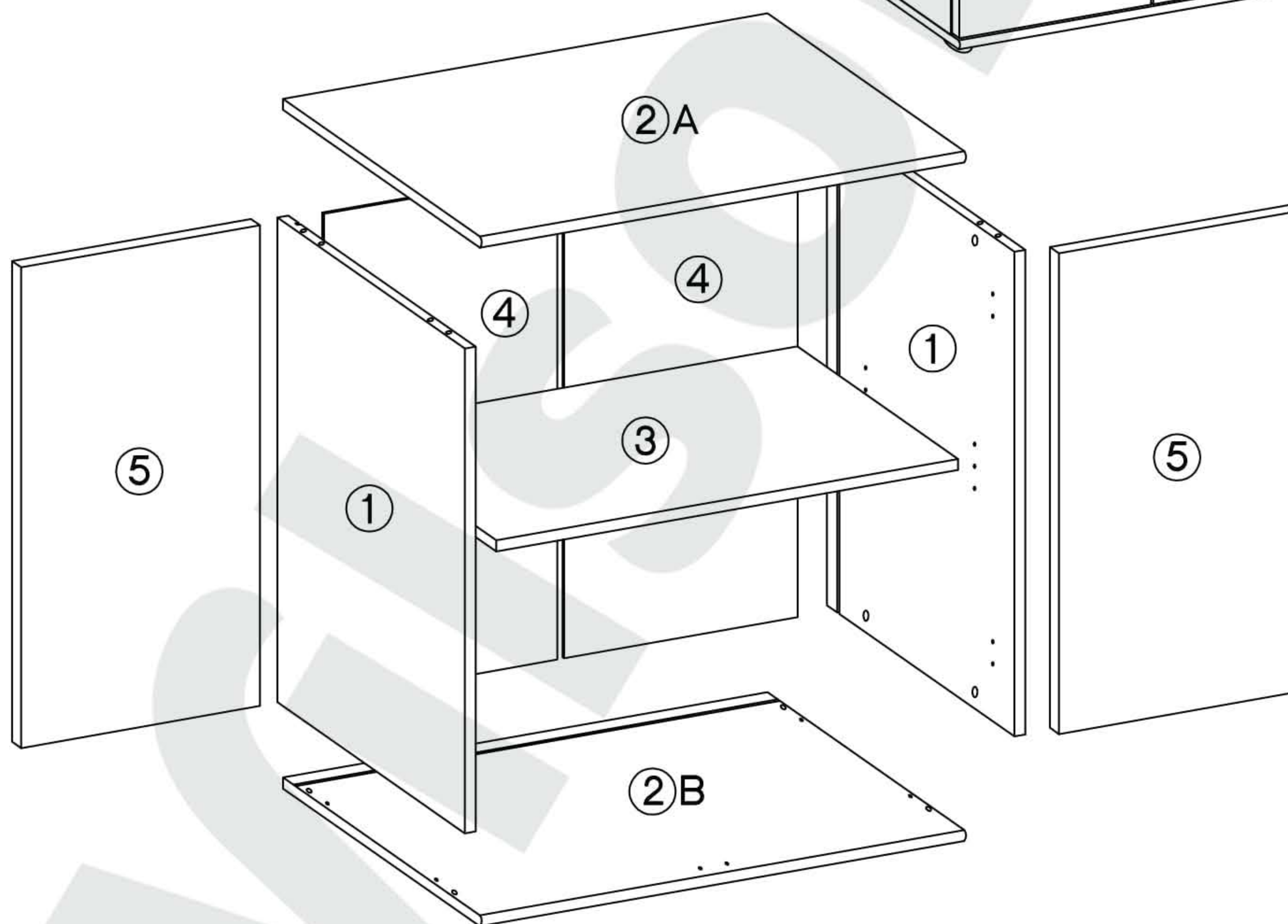
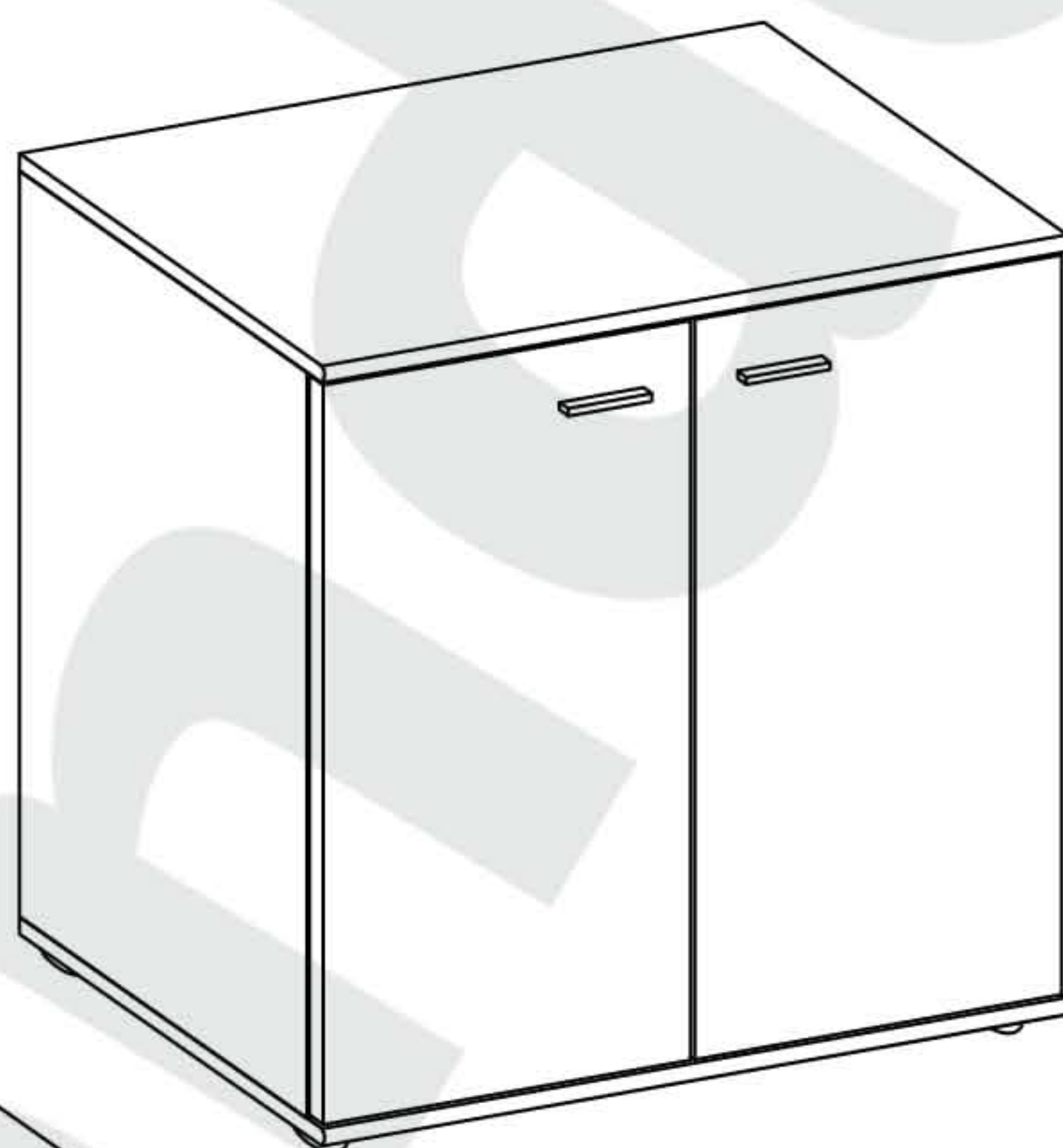


# MIKE 3

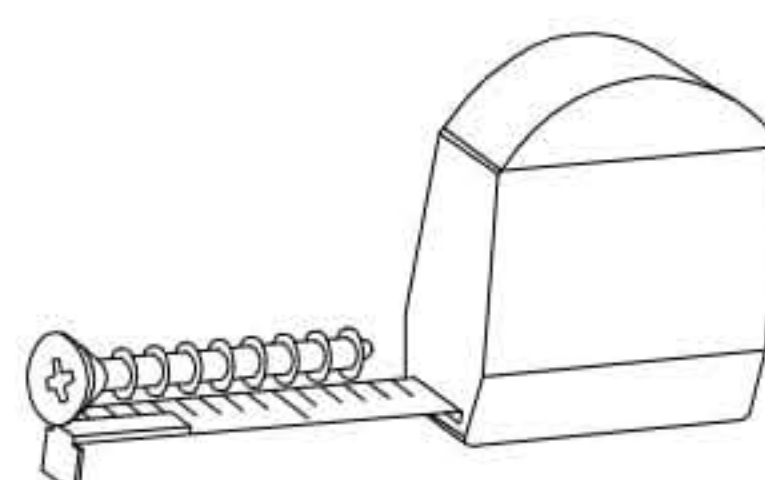
1/5



M-ISM-SLO-03



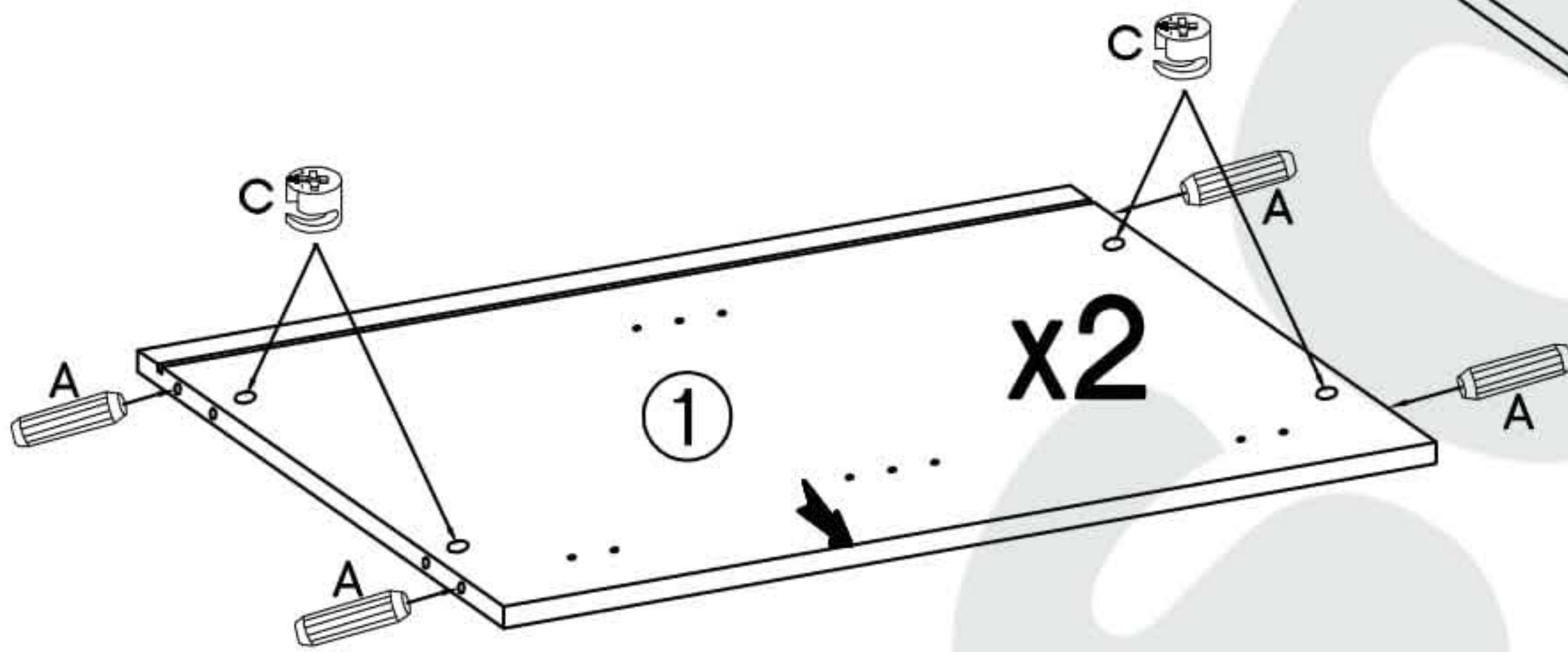
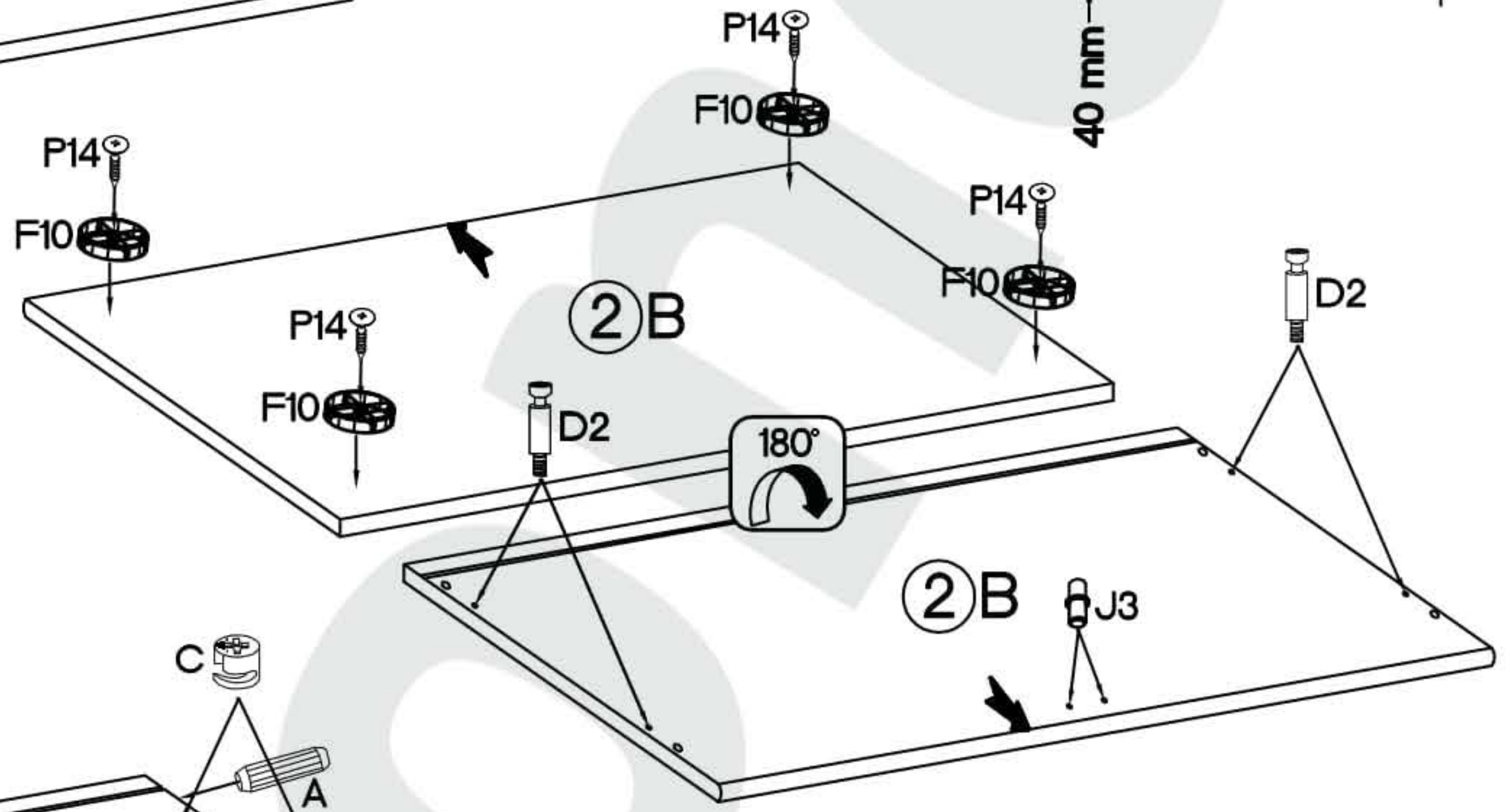
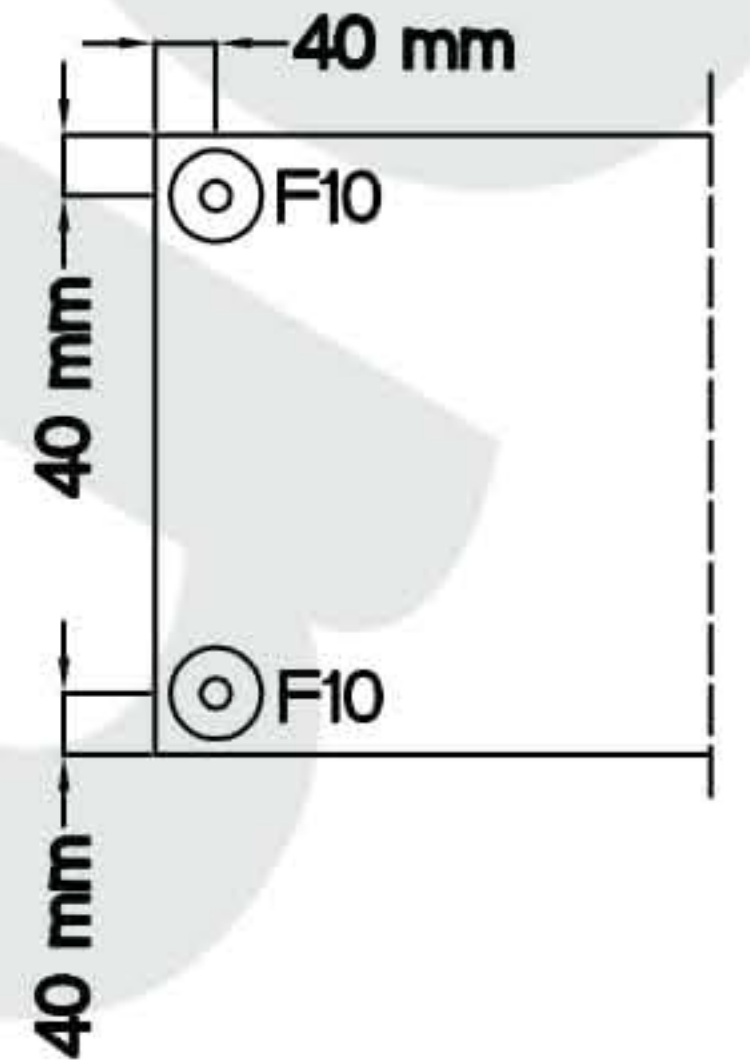
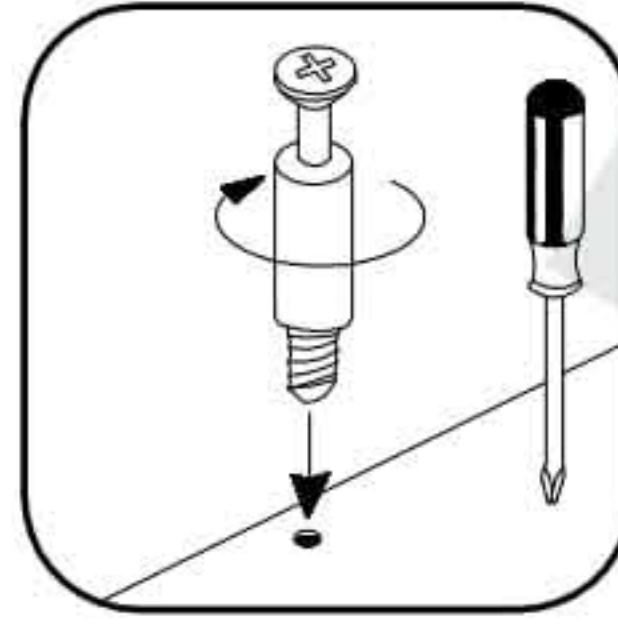
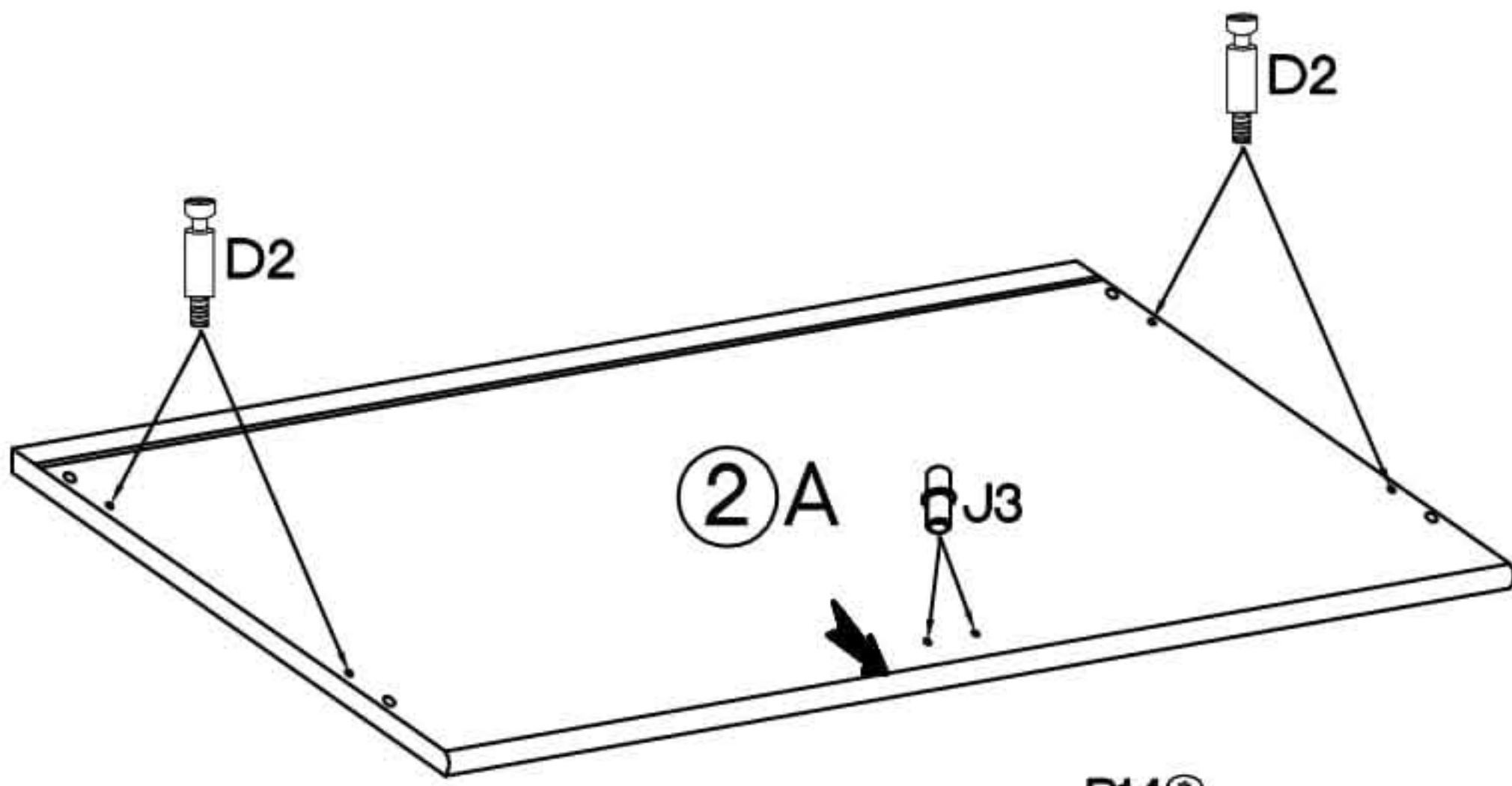
|                          |                         |                          |                           |                       |                        |                         |             |
|--------------------------|-------------------------|--------------------------|---------------------------|-----------------------|------------------------|-------------------------|-------------|
| L-698mm<br><br>L1<br>1   | L-64 mm<br><br>S13<br>2 | ∅3.5x13mm<br><br>P5<br>9 | ∅4.0x25mm<br><br>P14<br>4 | <br>F10<br>4          | <br>J3<br>8            | ∅10x50mm<br><br>O7<br>1 | <br>L9<br>1 |
| ∅4.0x30mm<br><br>R2<br>4 | <br>H<br>4              | ∅35/0mm<br><br>G<br>4    | ∅8x30mm<br><br>A<br>8     | L-20mm<br><br>D2<br>8 | ∅15/12mm<br><br>C<br>8 | <br>E<br>8              | <br>L<br>8  |



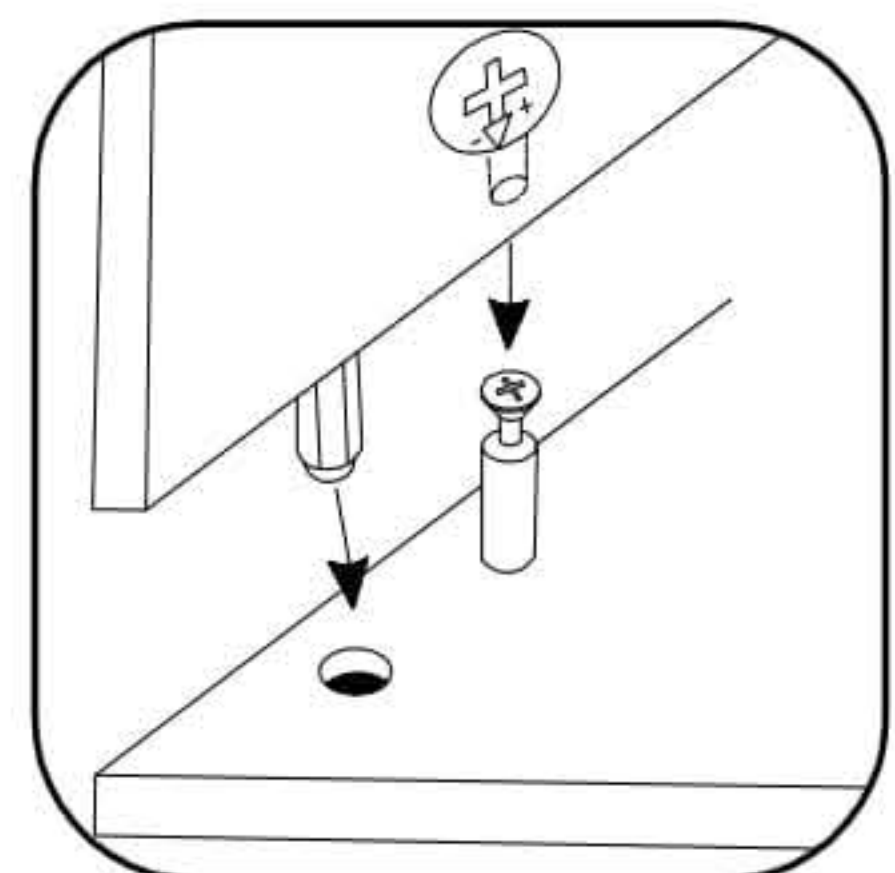
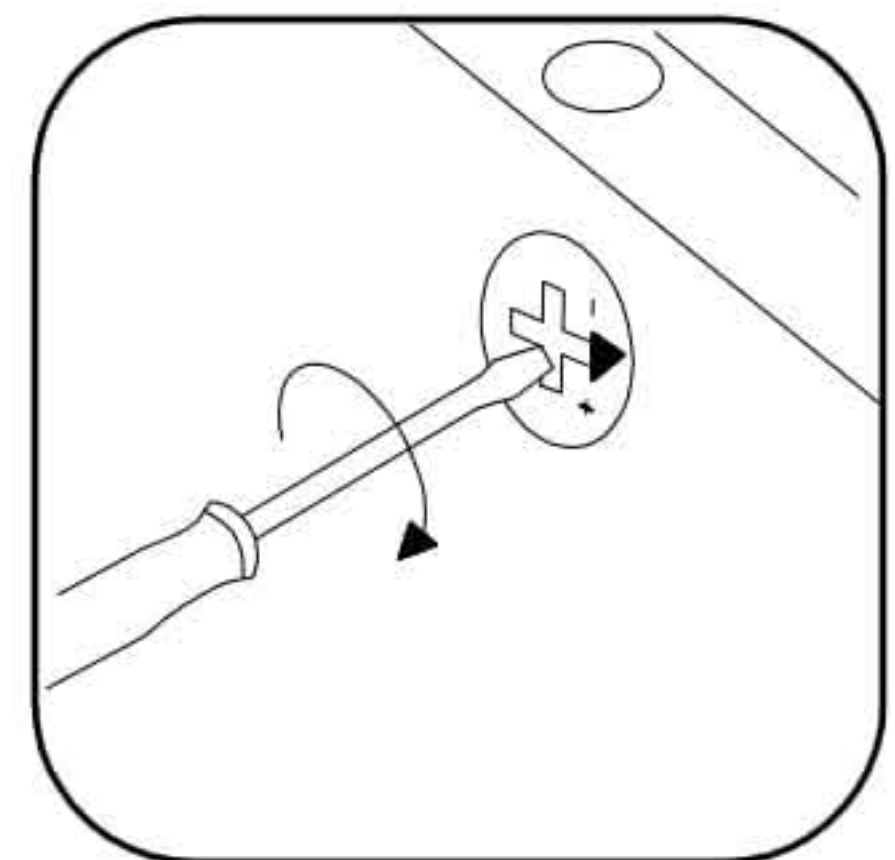
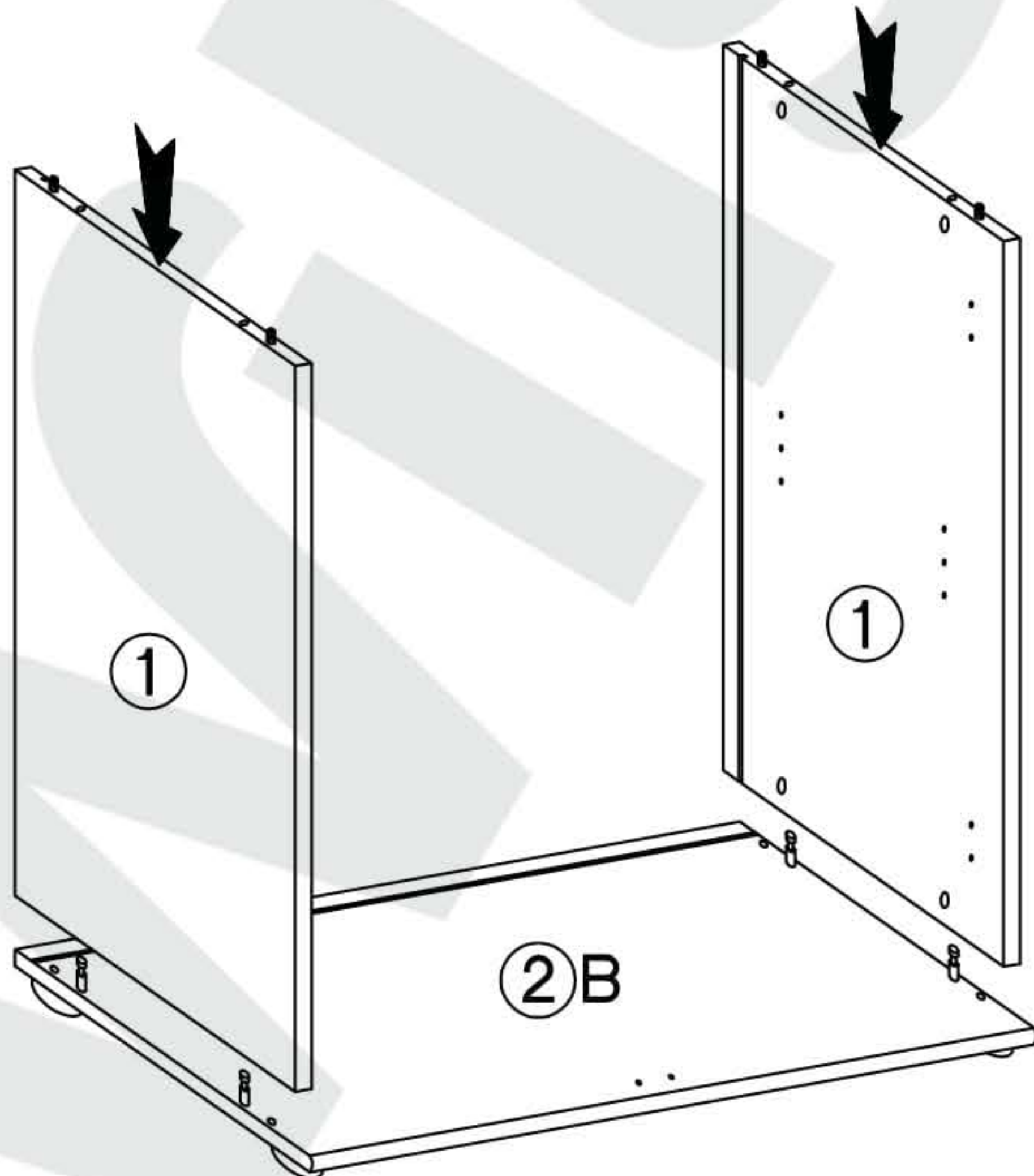


## 1.

|         |        |          |           |     |    |
|---------|--------|----------|-----------|-----|----|
| 18x30mm | L-20mm | 115/12mm | 14.0x25mm |     |    |
| A       | D2     | C        | P14       | F10 | J3 |
| 8       | 8      | 8        | 4         | 4   | 4  |

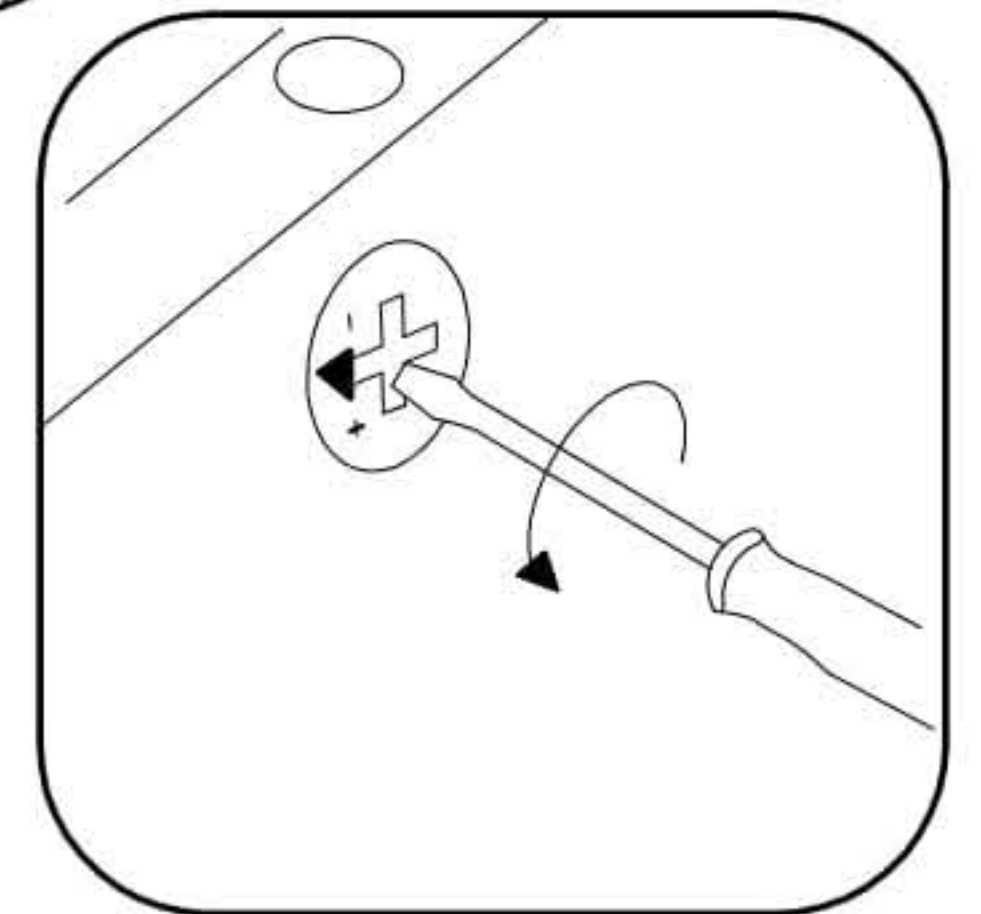
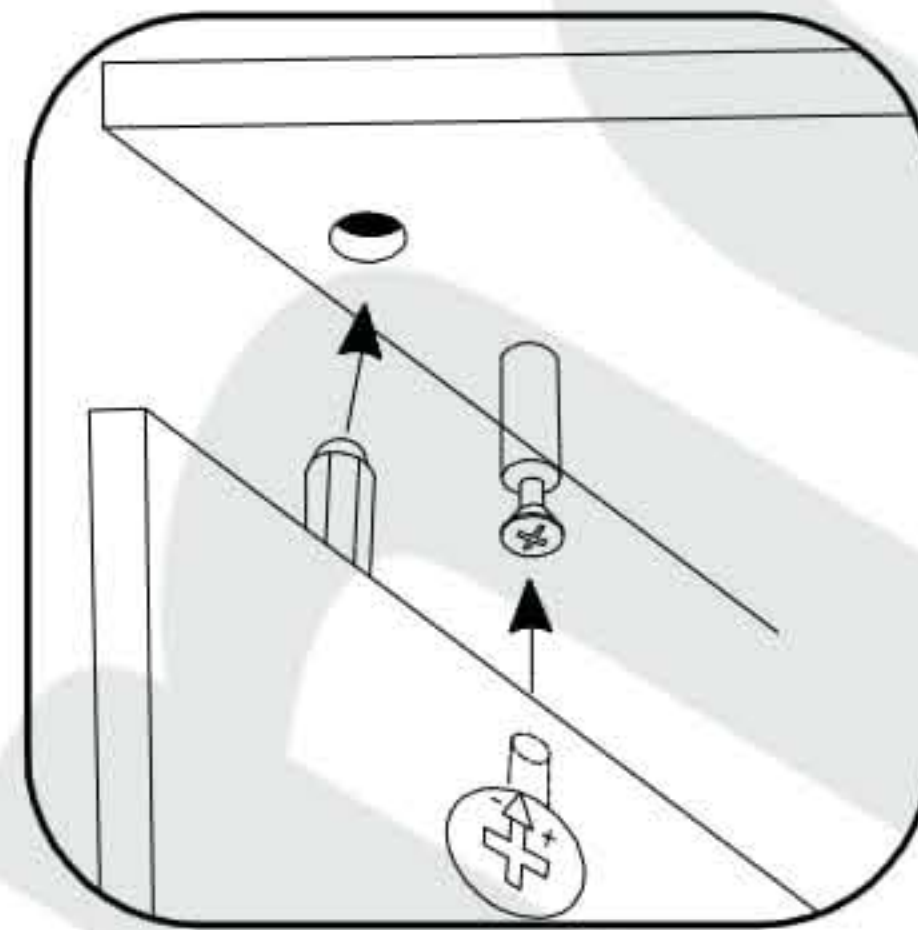
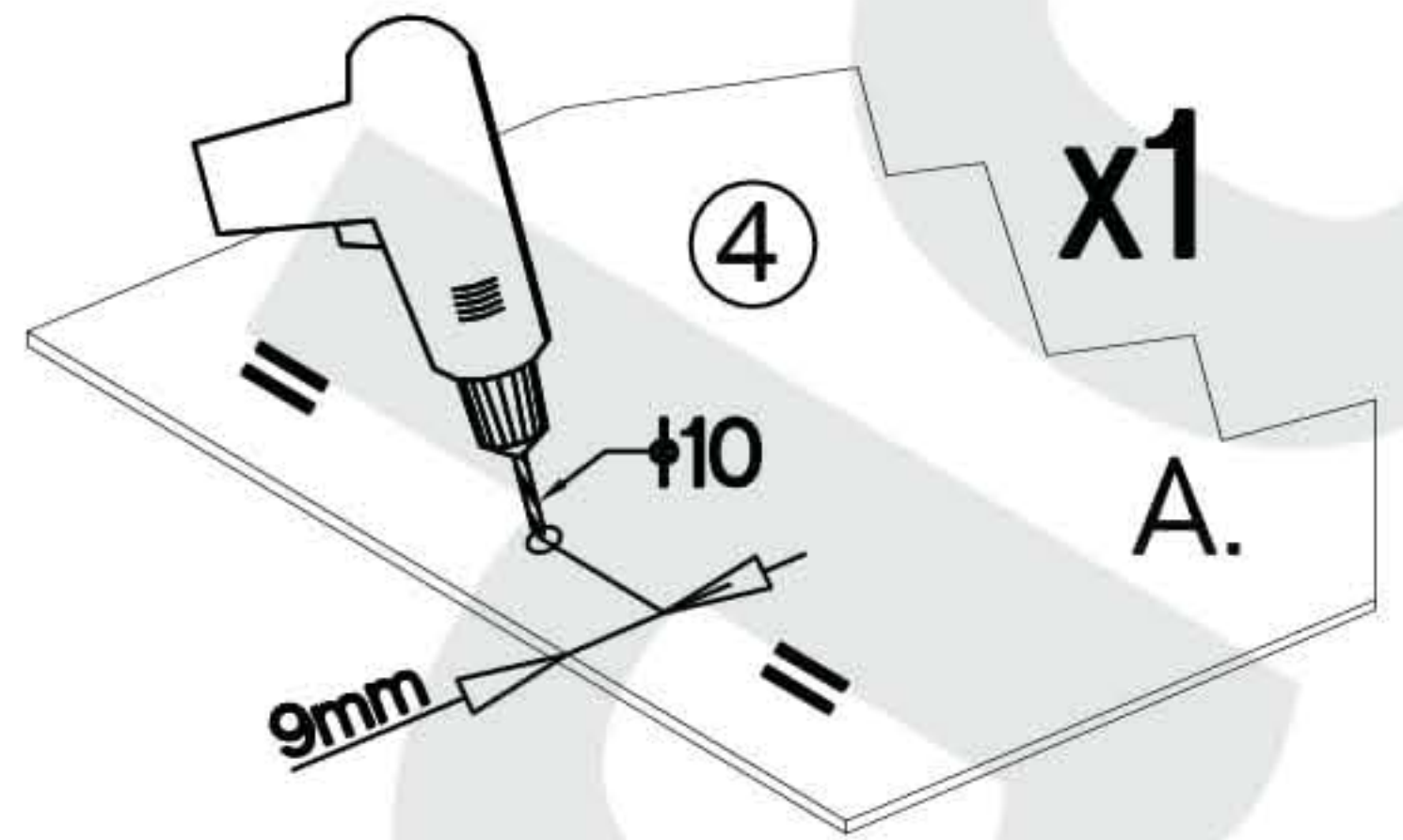
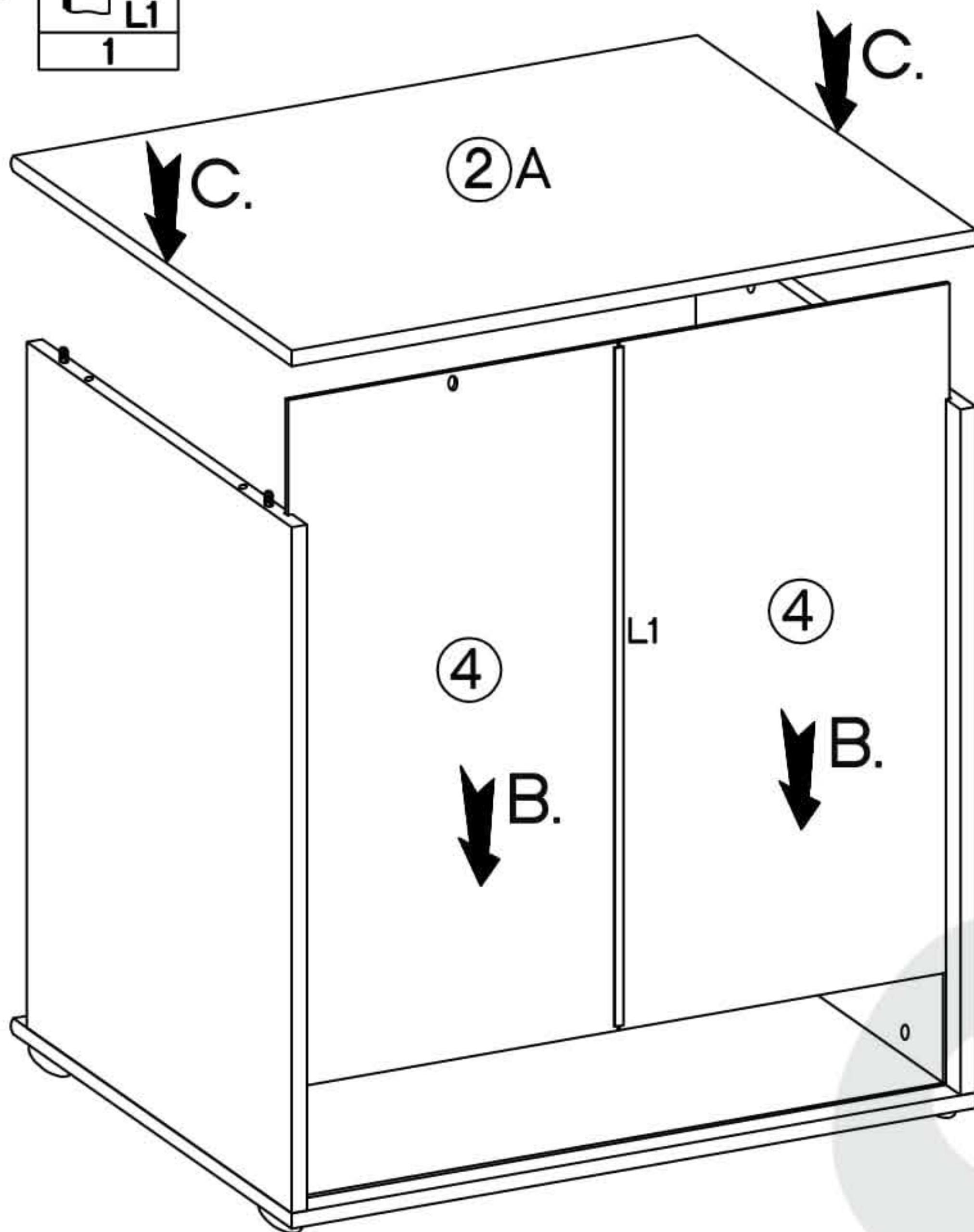
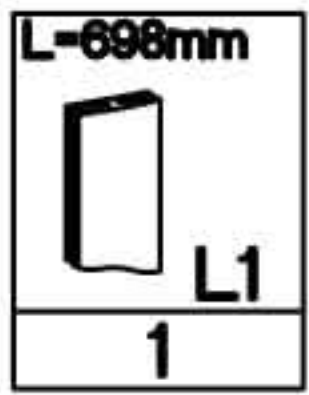


## 2.

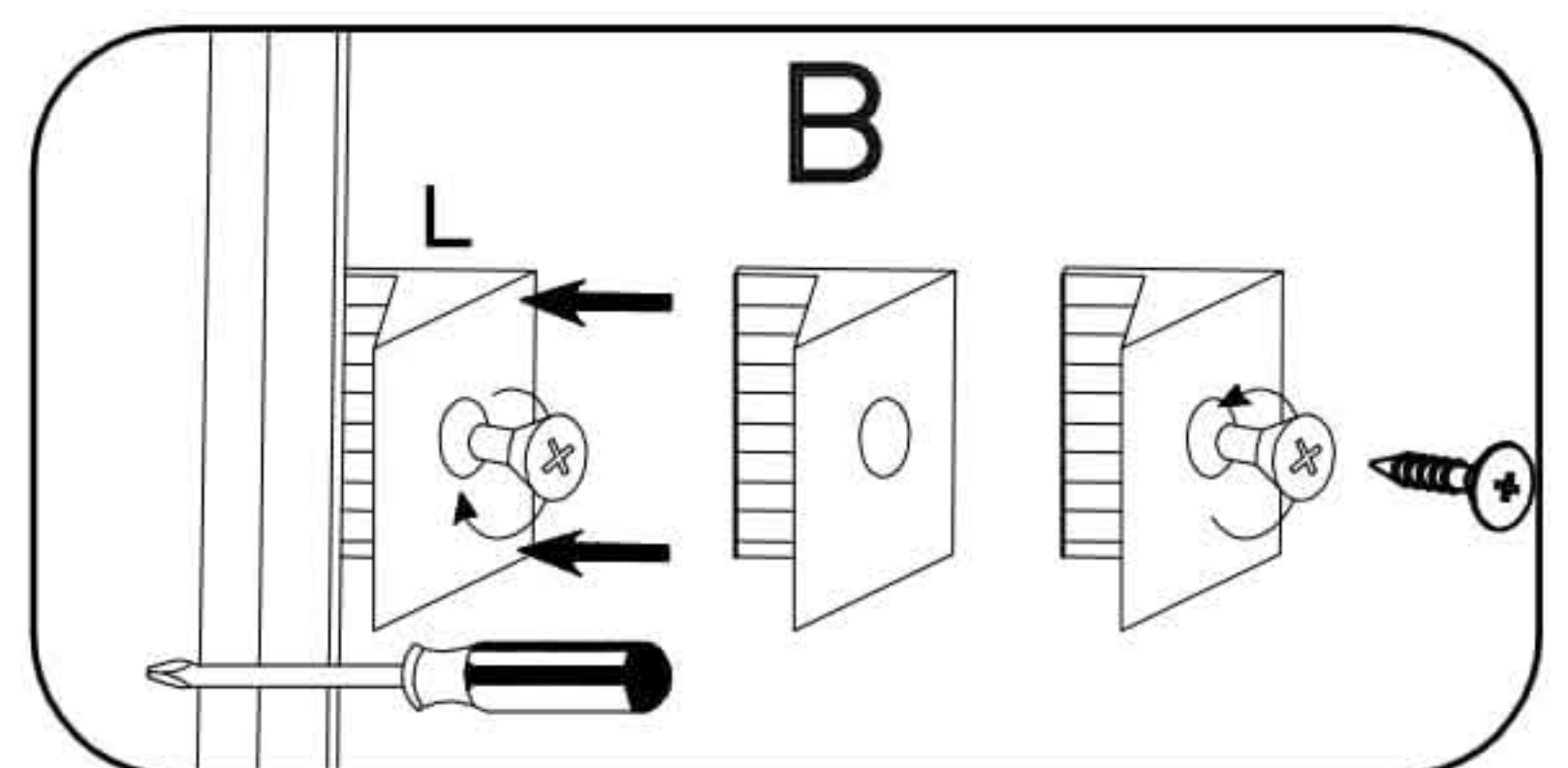
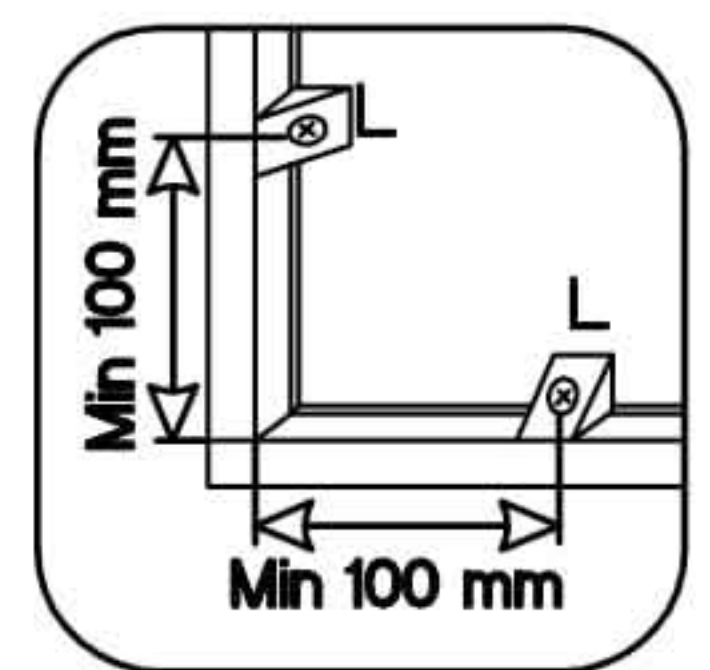
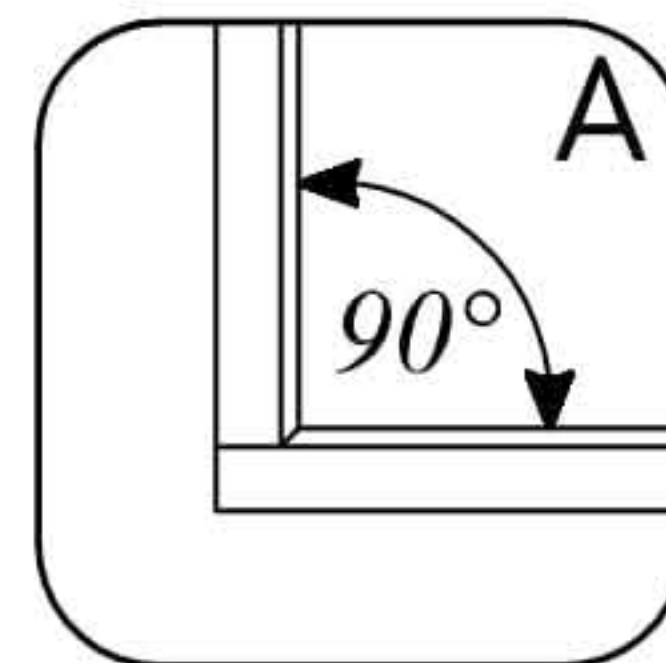
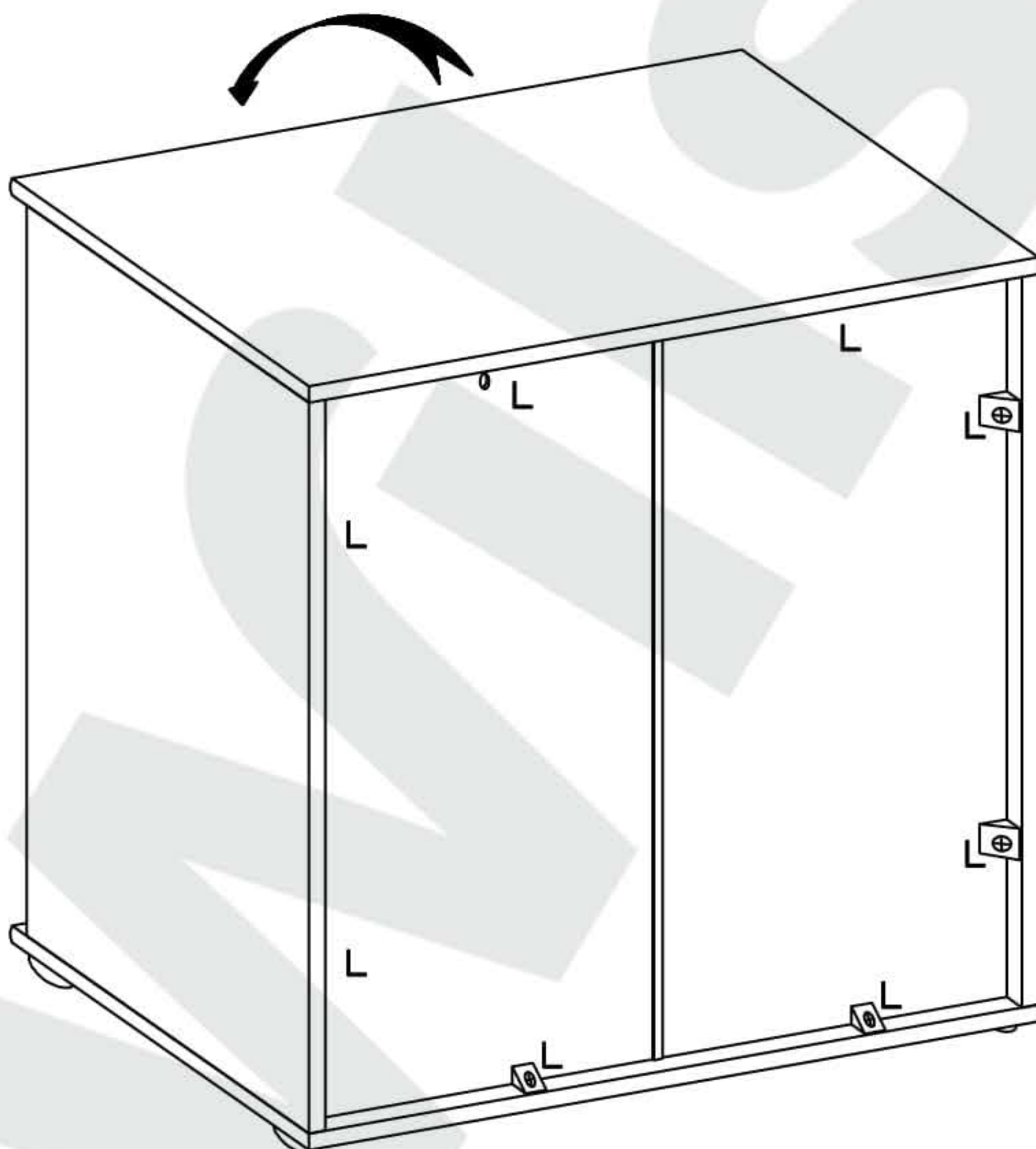




## 3.

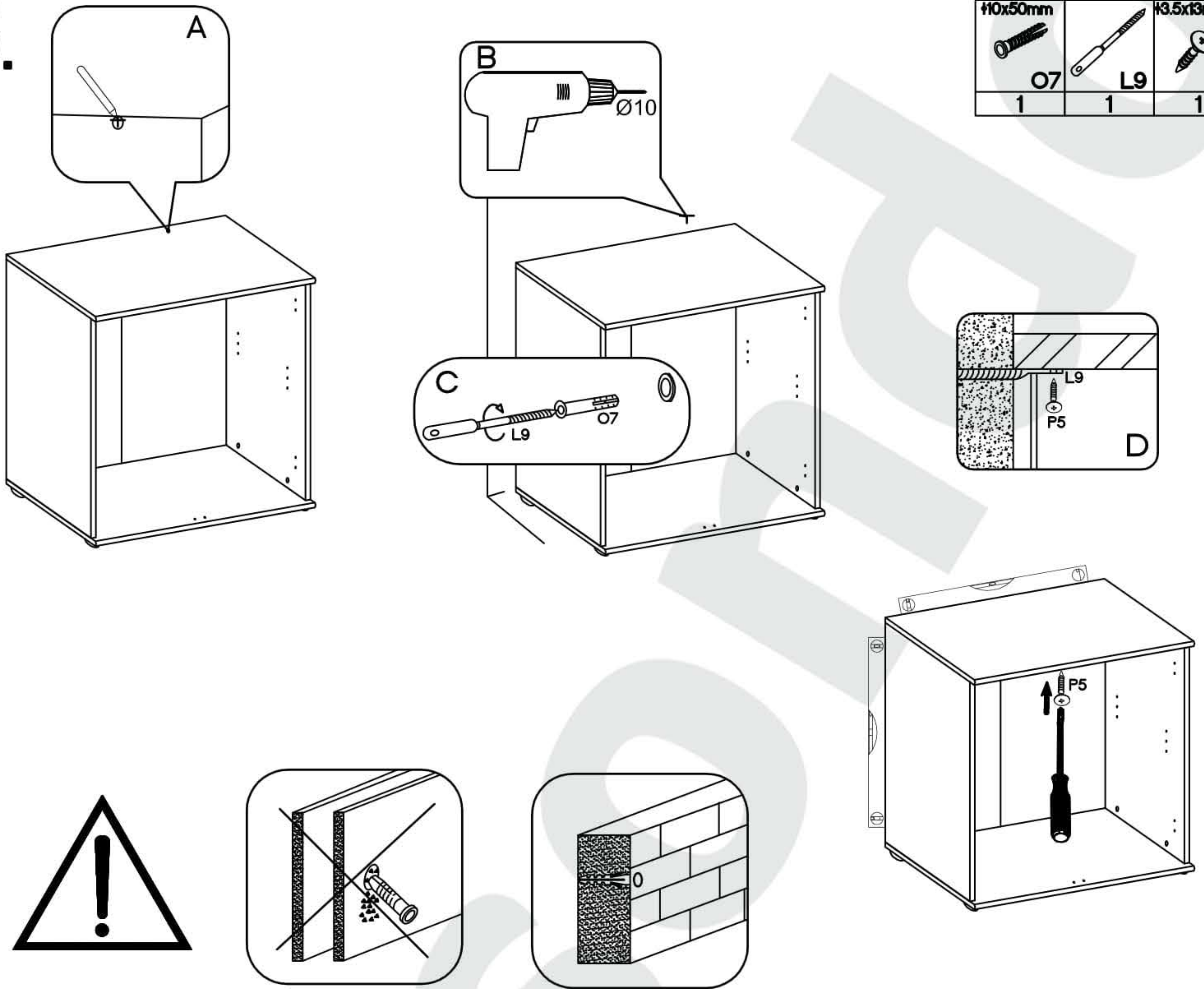


## 4.

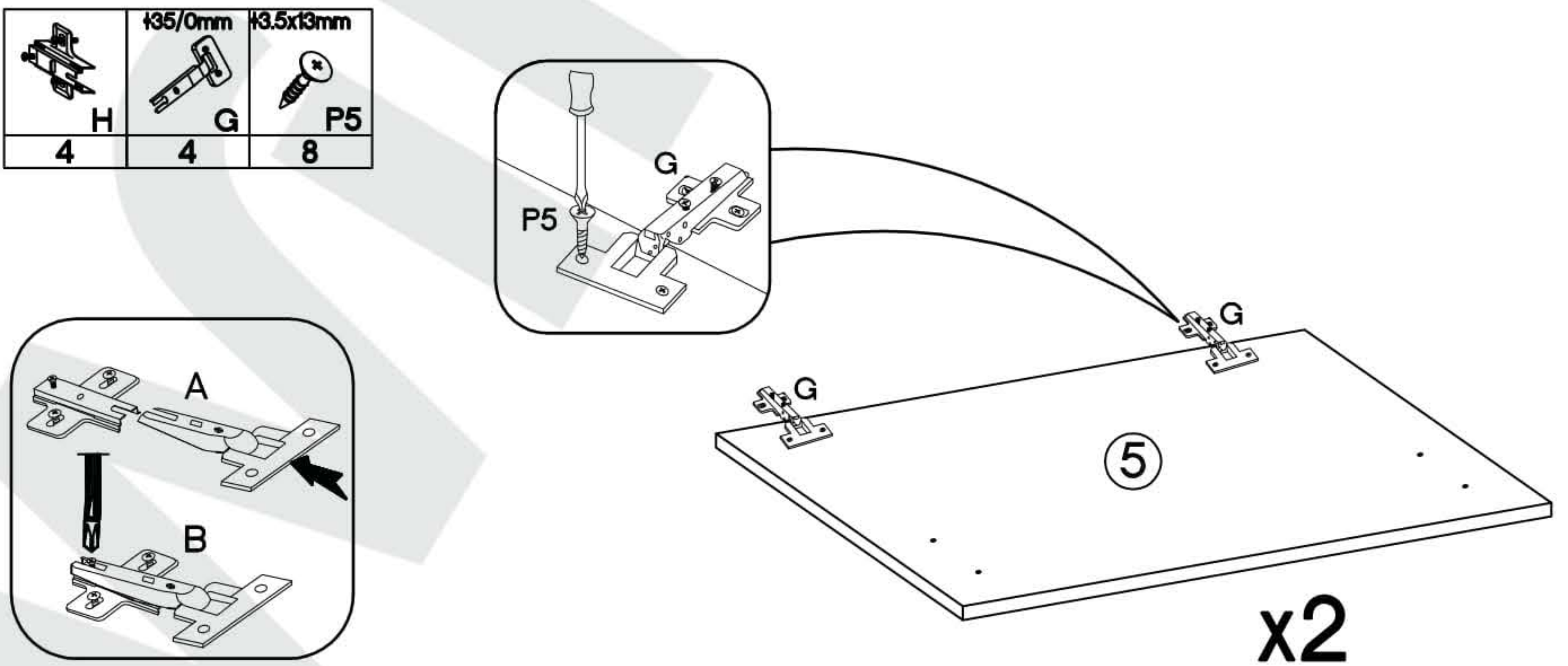




## 5.







## 6.





## 7.

|   |   |   |   |
|---|---|---|---|
| L-64 mm   | 4.0x30mm  |   |   |
|  |  |  |  |
| S13   | R2  | J3  | E   |
| 2   | 4   | 4   | 8   |

