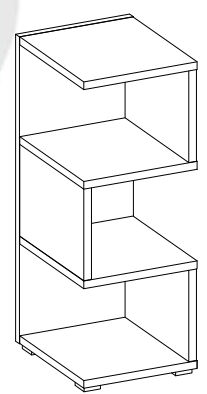
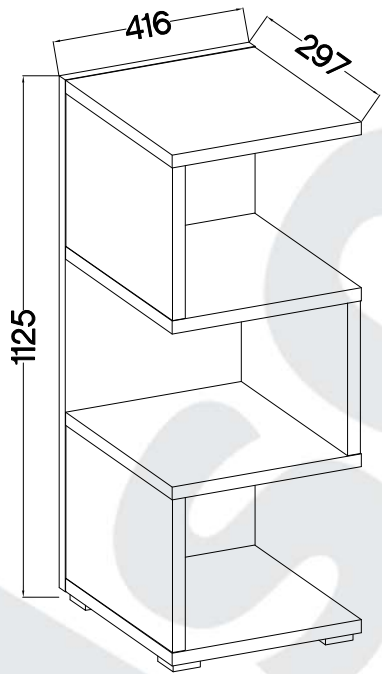
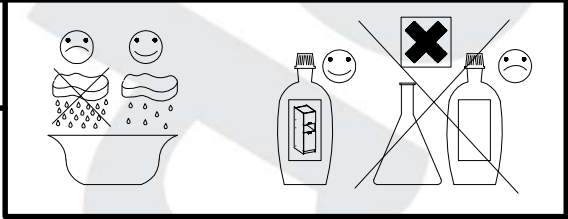
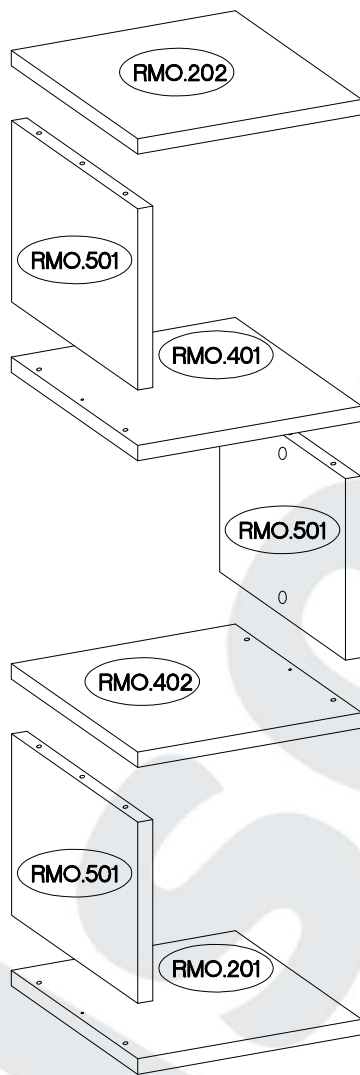
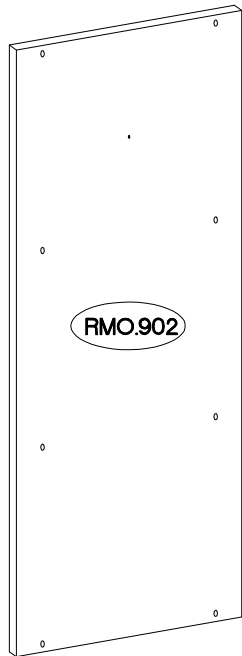


MORE 02



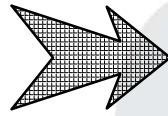
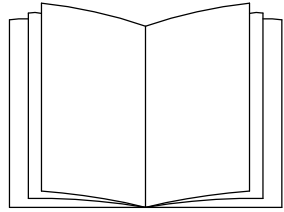
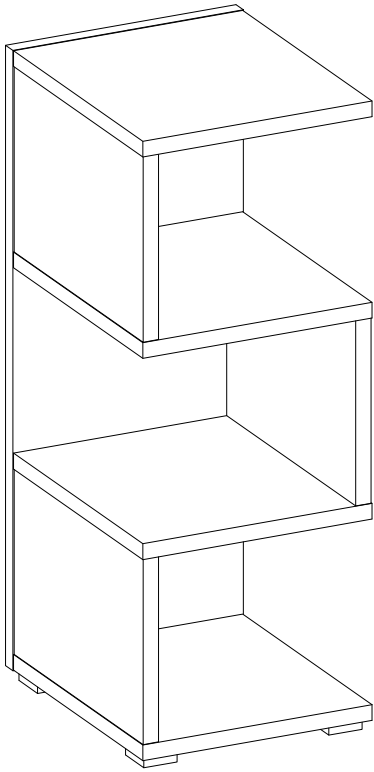
 O7 1	 P29 1	 E11 1	 A 12	 B 8	 C6 6	 D2 6	 E 6	 F1 4	 P14 8	 O 1
†10x50mm	†5.0x70mm	†20	†8x30mm	6,4 x 50mm	†15/18mm	L=20mm		60x40x20	†4.0x25mm	

ISM-RMO-002



- RMO.201
- RMO.202
- RMO.401
- RMO.402

Colli	Ersatzteil Nummer	Dimension
Colli 1/1	RMO.201	414x281x28
	RMO.202	414x281x28
	RMO.401	414x281x28
	RMO.402	414x281x28
	RMO.501 x 3	330x280x28
	RMO.902	1104x416x16

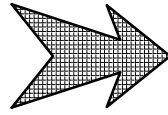
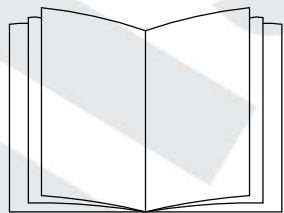
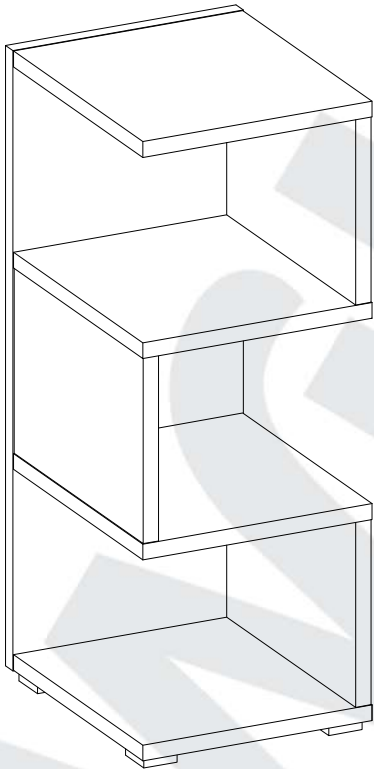


1

—

11

23



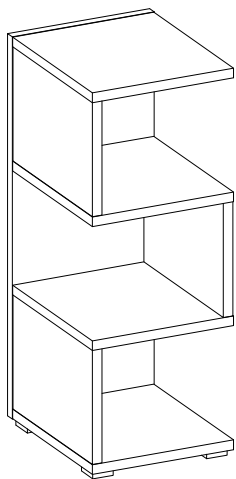
12

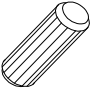

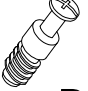
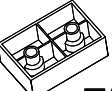

—

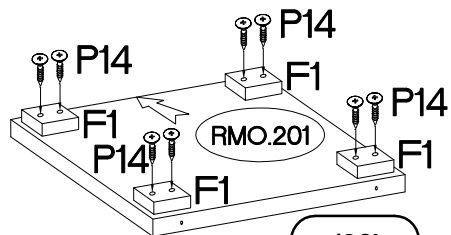
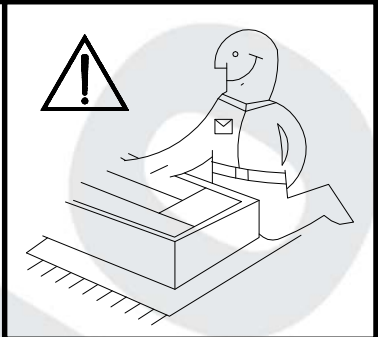
22

23

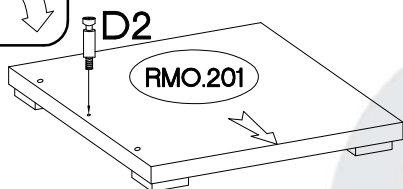
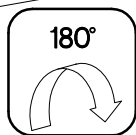
1



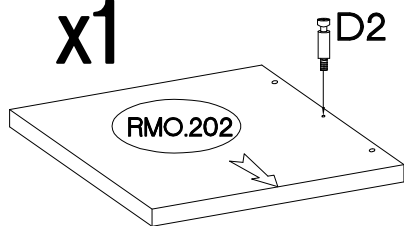
$\varnothing 8 \times 30 \text{mm}$  A 12	$\varnothing 15/18 \text{mm}$  C6 6	L=20mm  D2 6	60x40x20  F1 4	$\varnothing 4.0 \times 25 \text{mm}$  P14 8
---	---	--	---	--



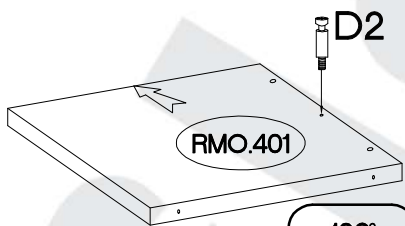
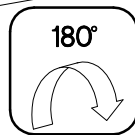
x1



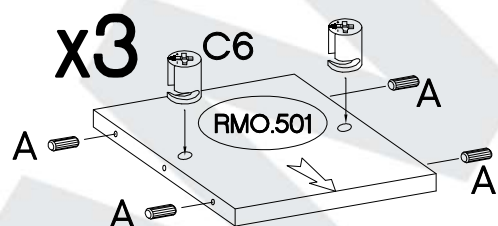
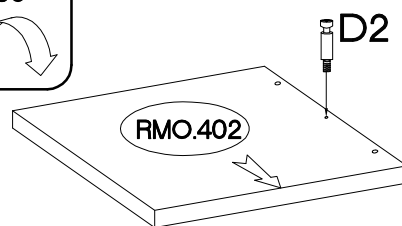
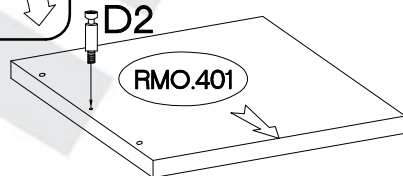
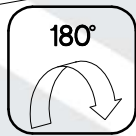
x1



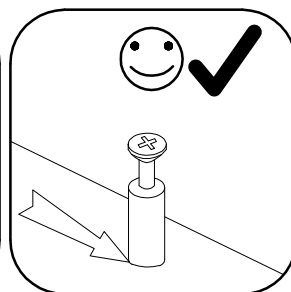
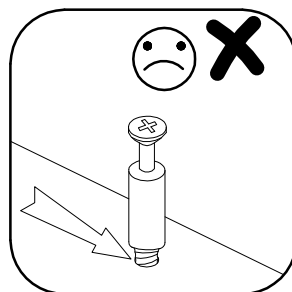
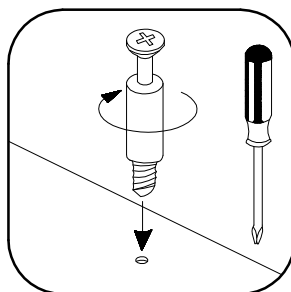
x1



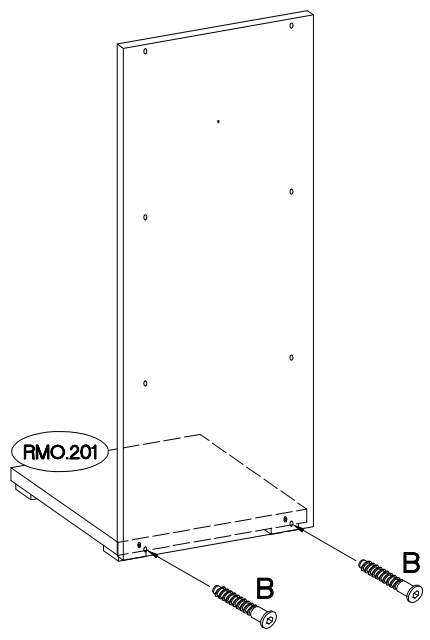
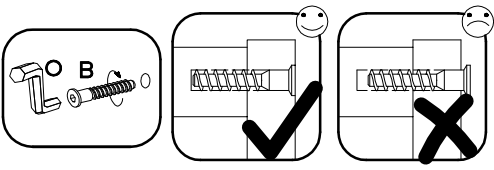
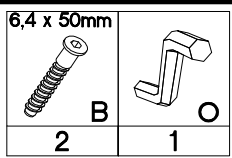
x1



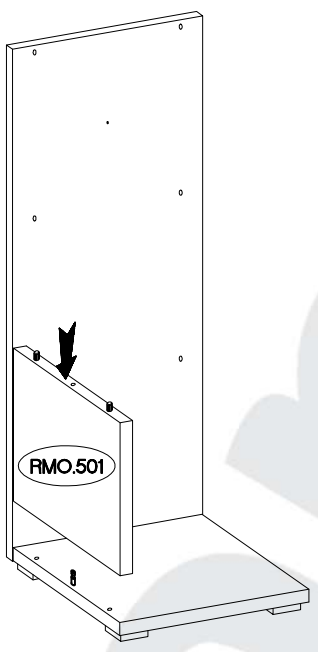
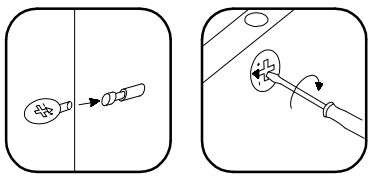
x3



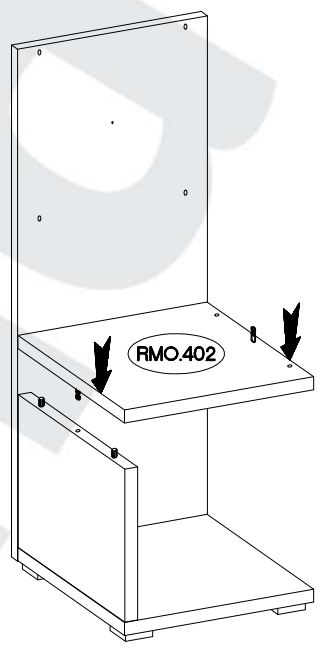
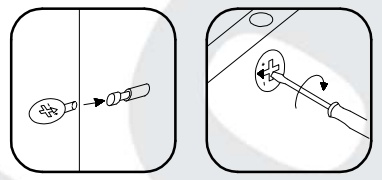
2



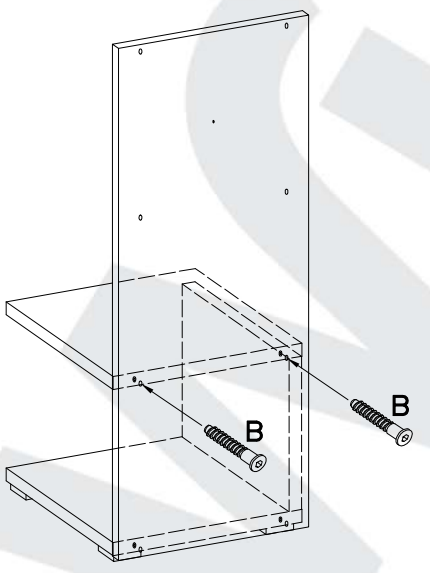
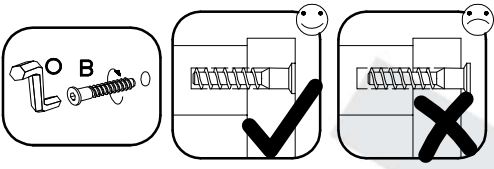
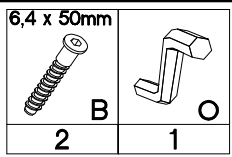
3



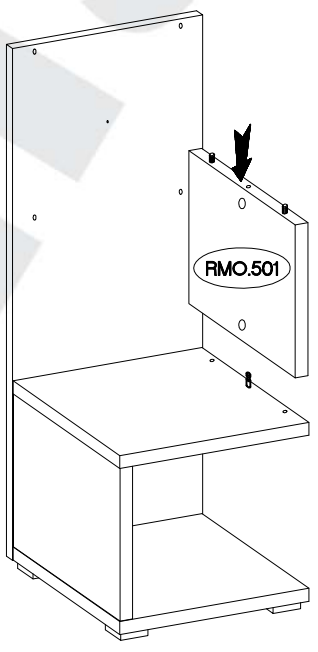
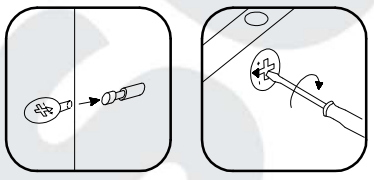
4



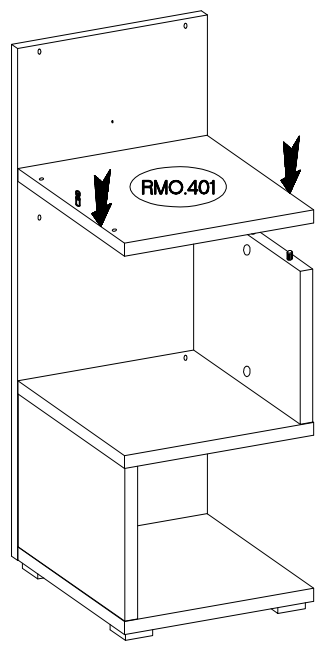
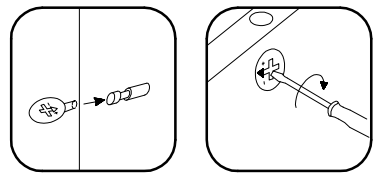
5



6

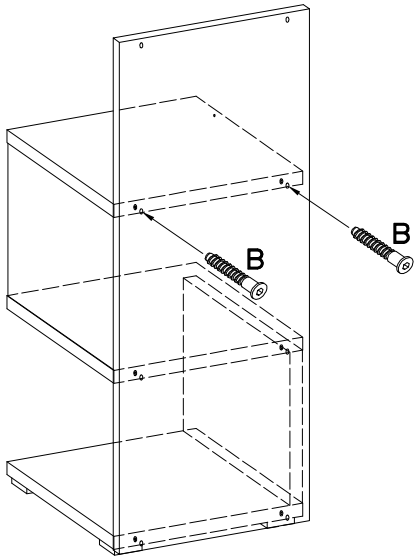
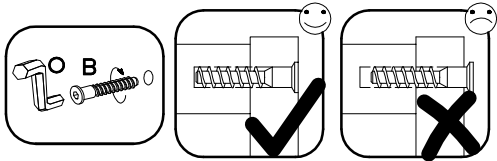
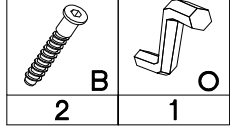


7

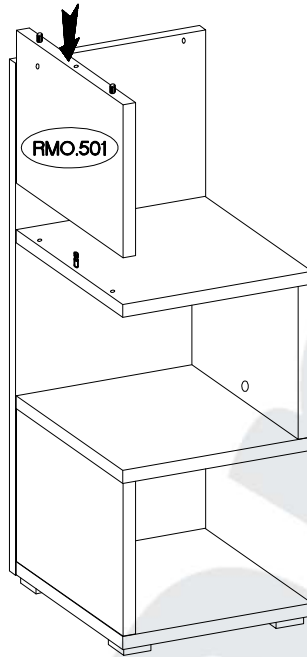
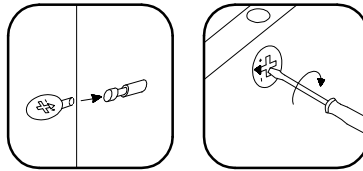


8

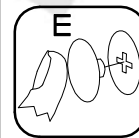
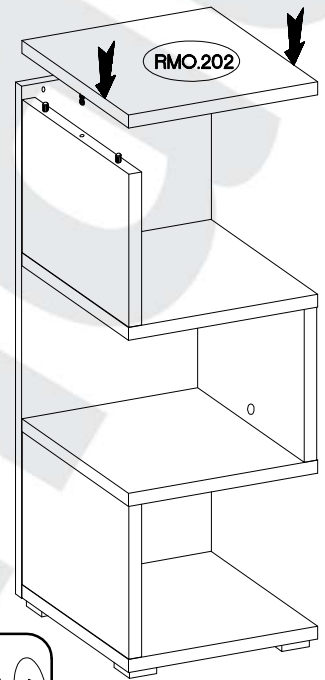
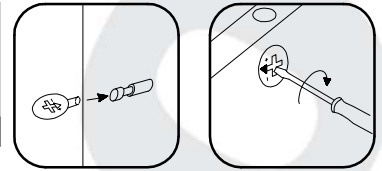
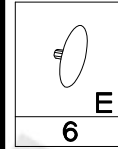
6,4 x 50mm



9

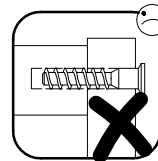
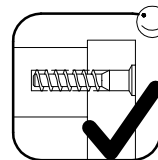
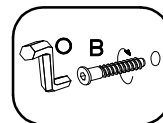
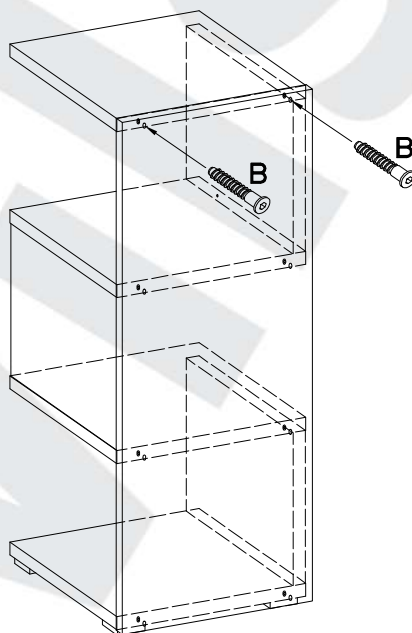
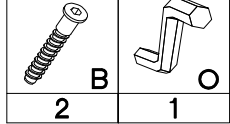


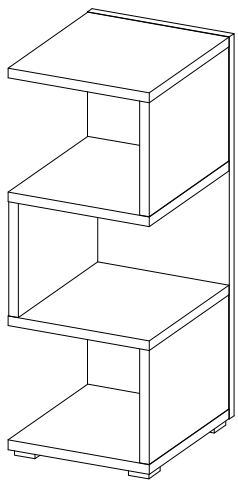
10



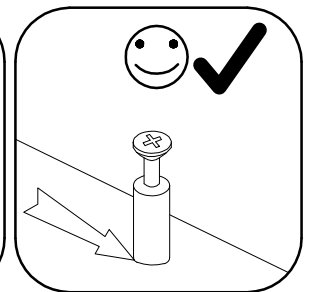
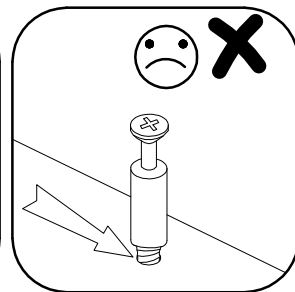
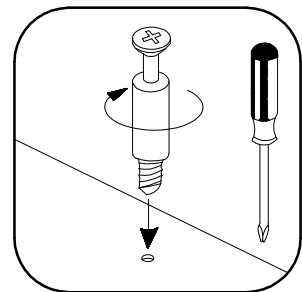
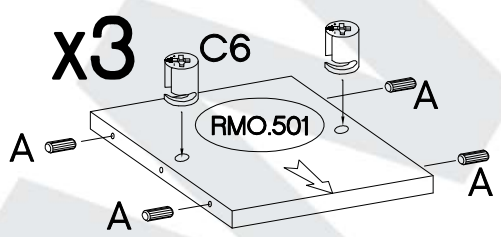
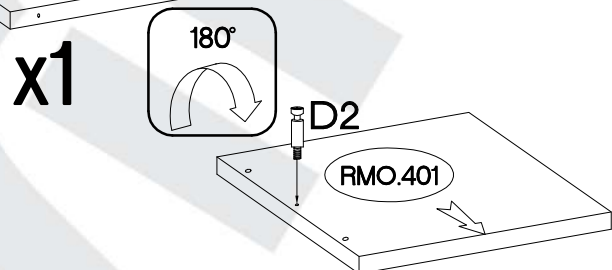
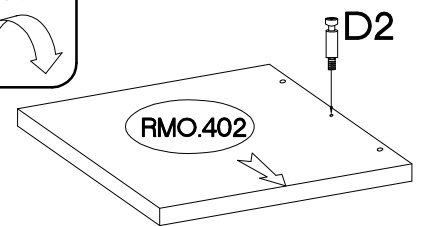
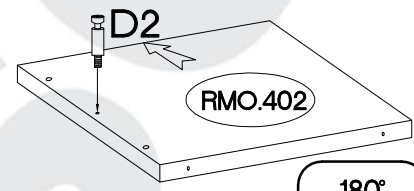
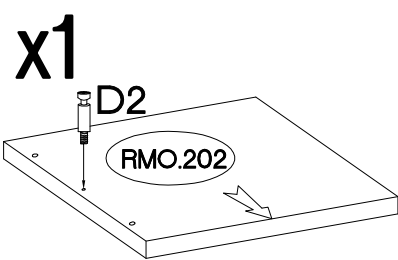
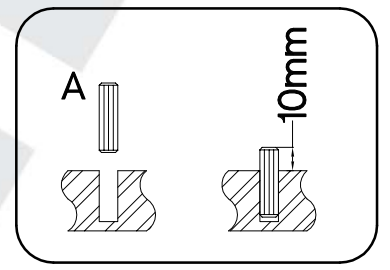
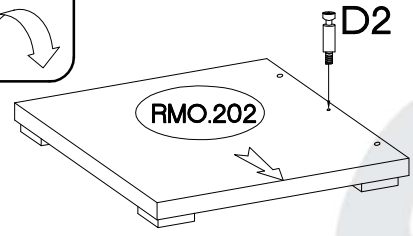
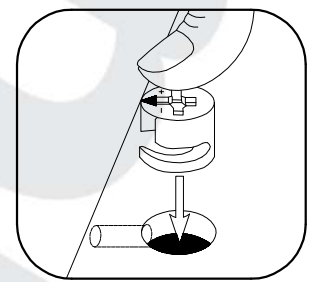
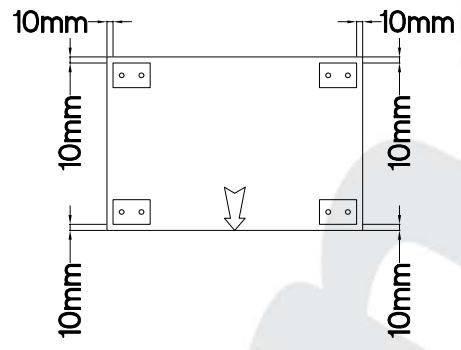
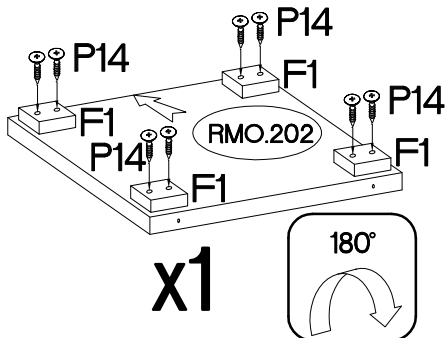
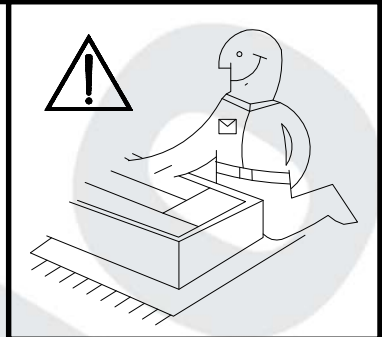
11

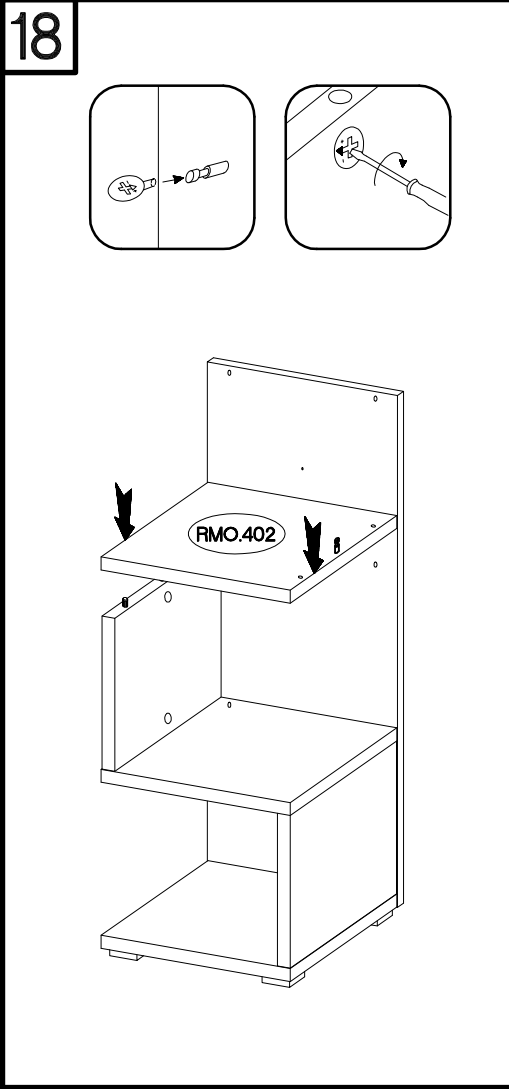
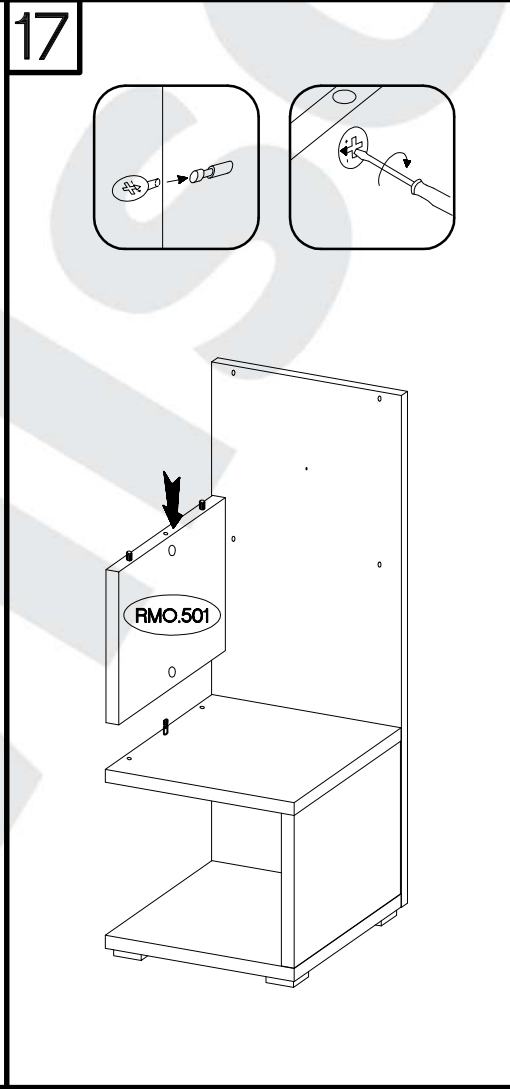
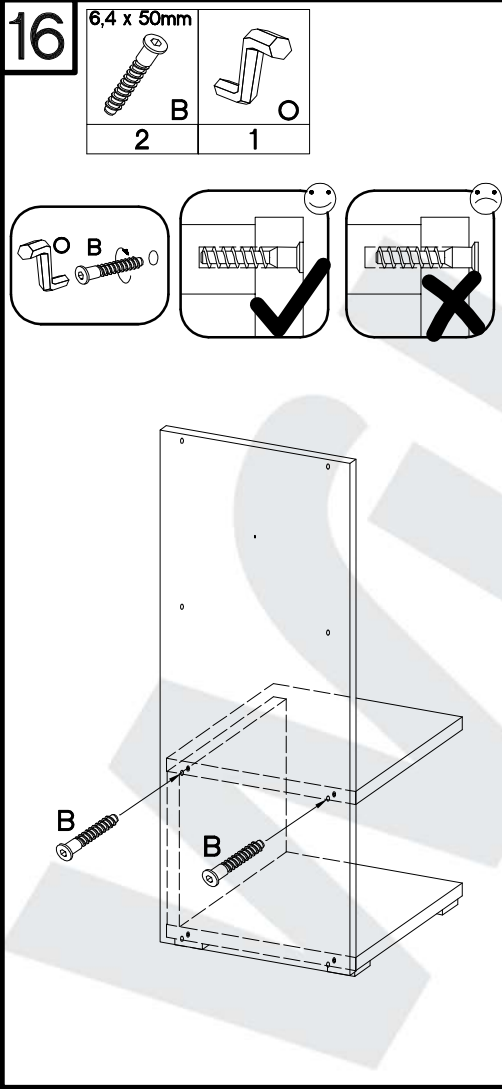
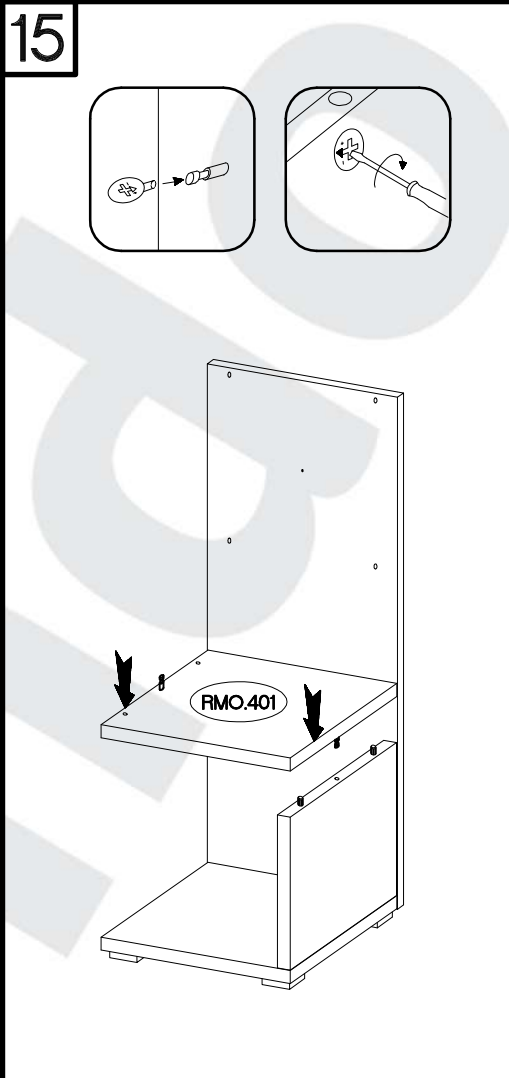
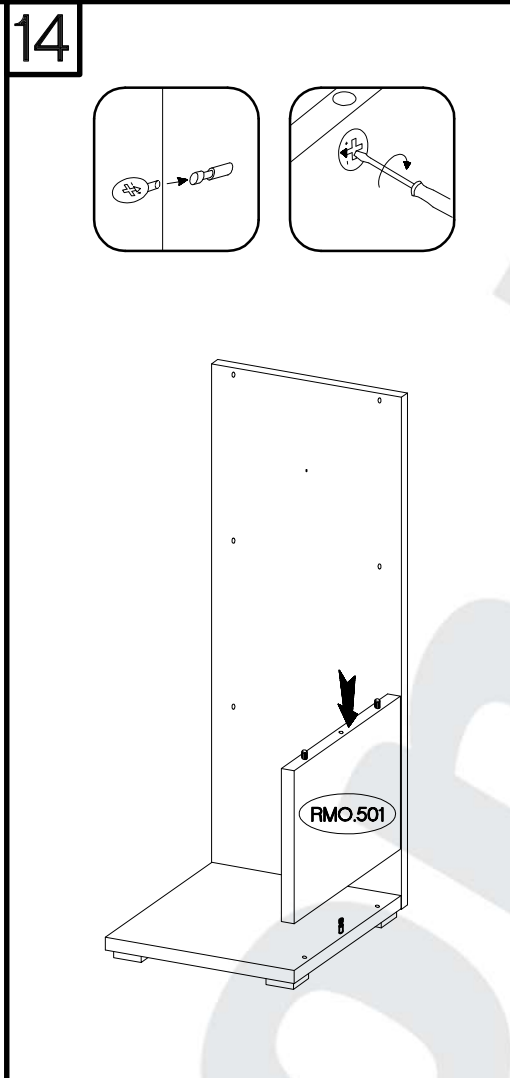
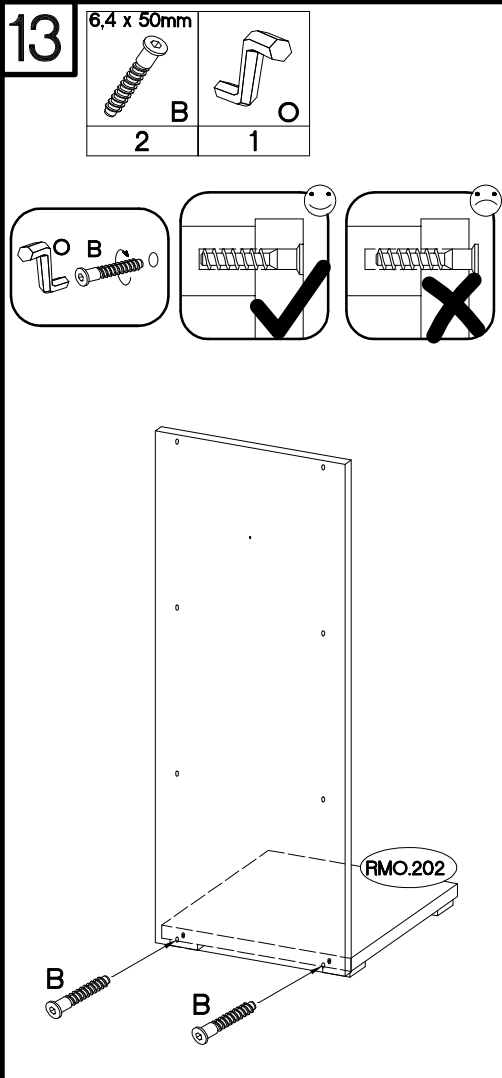
6,4 x 50mm





$\varnothing 8 \times 30 \text{mm}$ A 12	$\varnothing 15/18 \text{mm}$ C6 6	$L=20 \text{mm}$ D2 6	$60 \times 40 \times 20$ F1 4	$\varnothing 4.0 \times 25 \text{mm}$ P14 8
---	---	--	--	--





19 6,4 x 50mm
 B 2 O 1

B B

RMO.501

20

RMO.201

B B

21 E 6

B B

RMO.501

22 6,4 x 50mm
 B 2 O 1

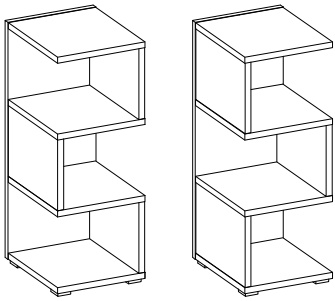
B B

23

RMO.501

24 E 6

RMO.201



$\varnothing 10 \times 50 \text{mm}$	$\varnothing 5.0 \times 70 \text{mm}$	$\varnothing 20$
O7	P29	E11
1	1	1

