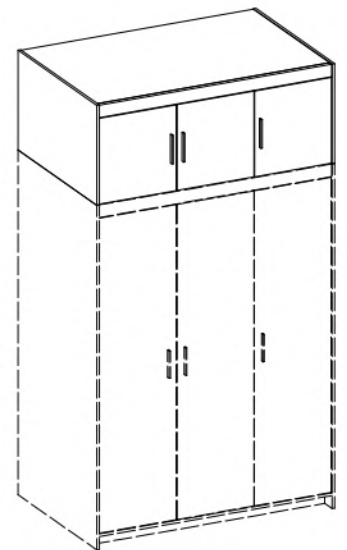
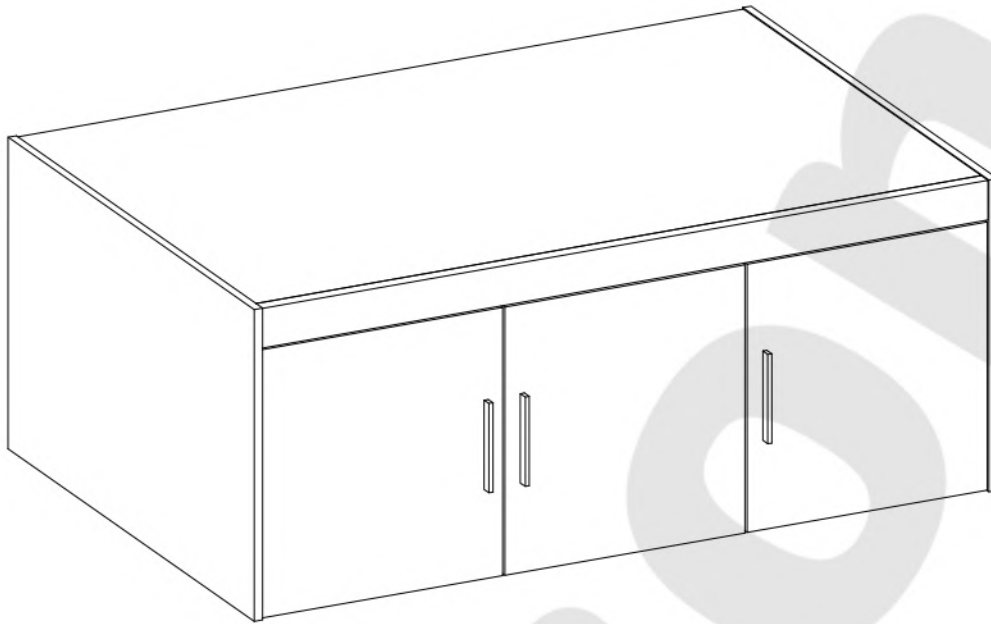
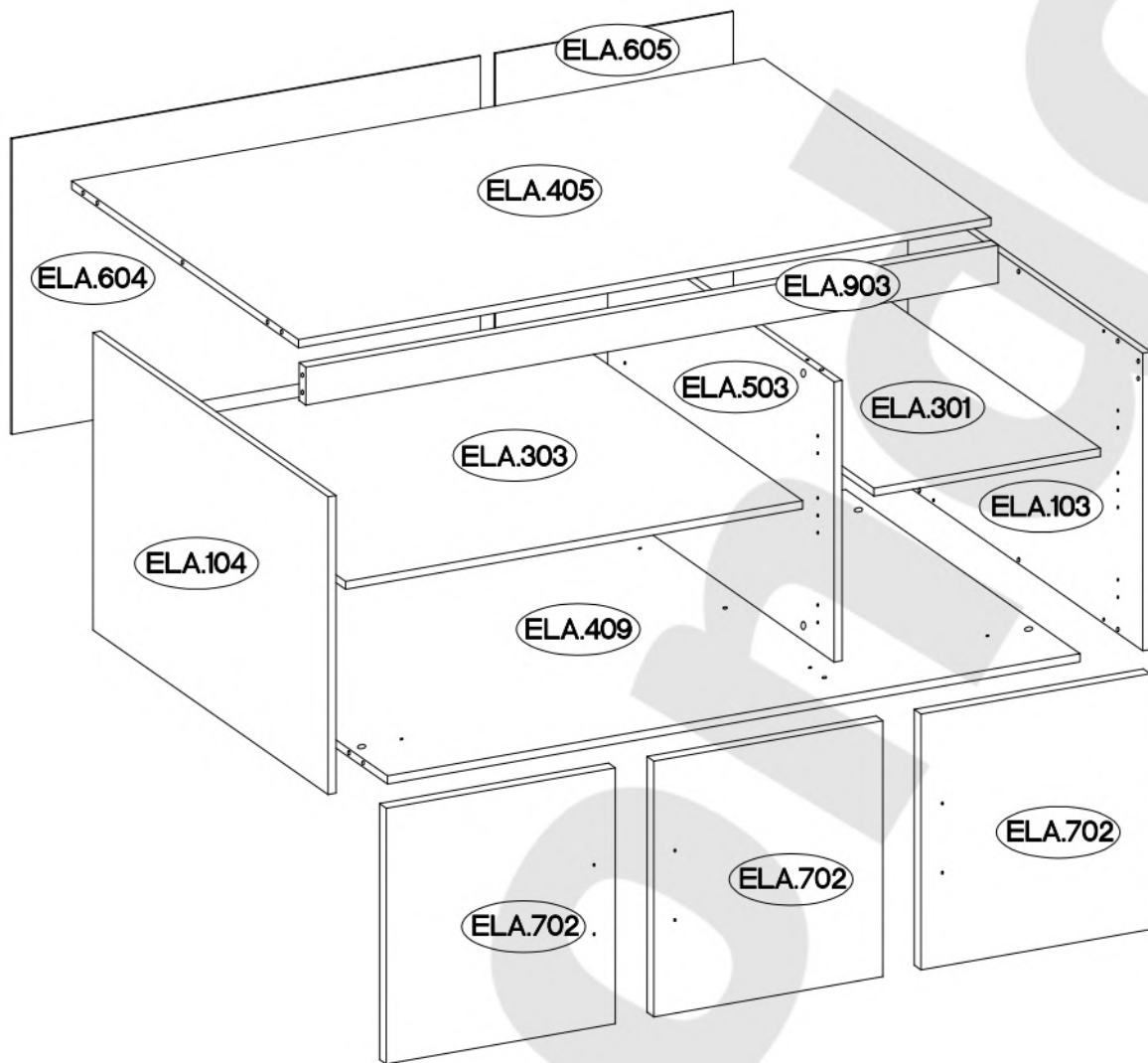


ELENA NA 3D

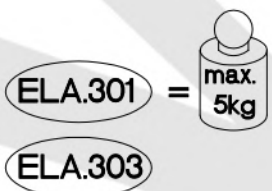


±35/16mm G2 4	H=0 H 6	±3.5x13mm P5 12	±35/9mm G1 2	±4.0x16mm P1 2	 T3 1	 L2 4		
±15/12mm C 12	 E 12	±8x30mm A 22	L=20mm D2 12	L=128mm S 3	±4.0x30mm R2 6	±3.0x20mm P7 28	±5/16mm J3 8	±4.0x25mm R 4






ISM-ELA-09

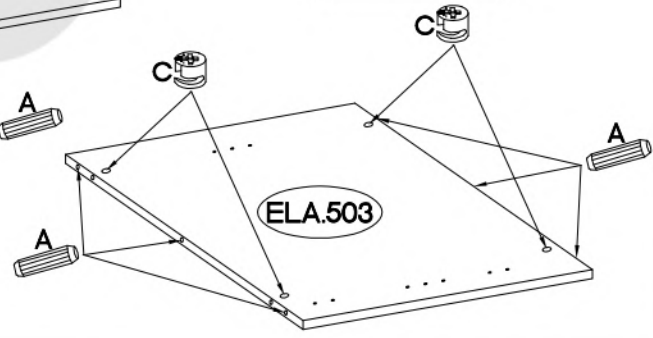
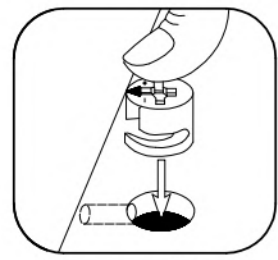
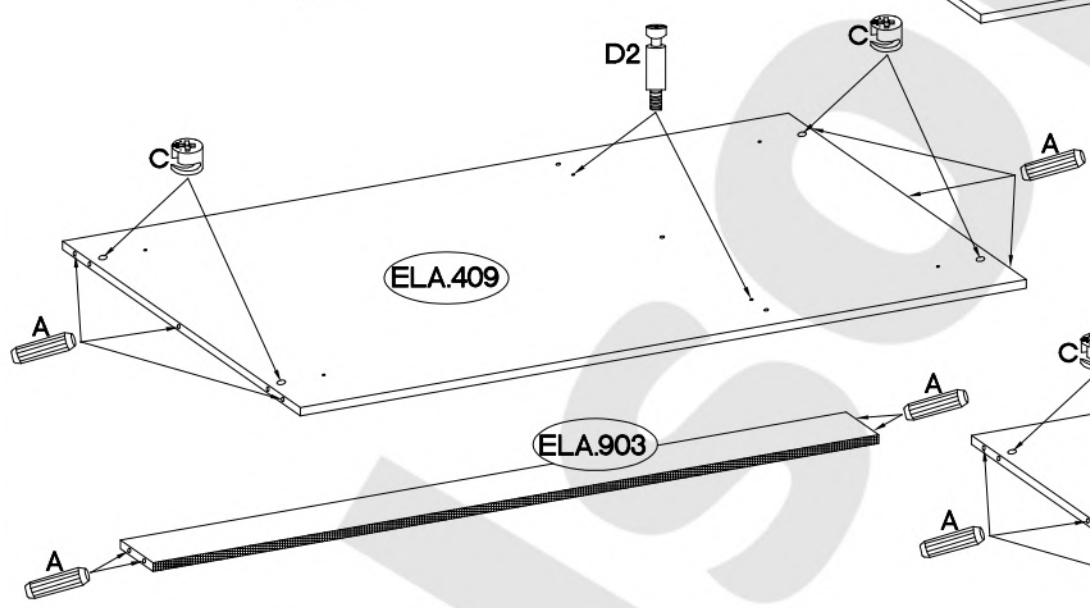
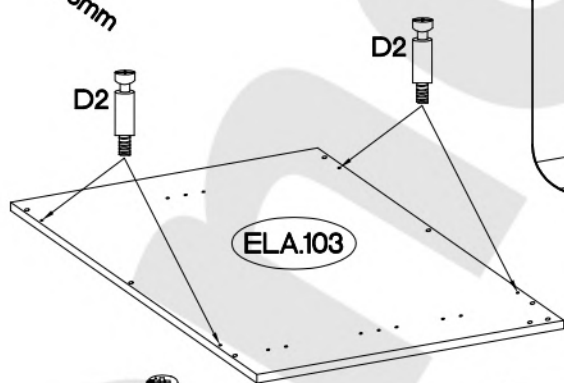
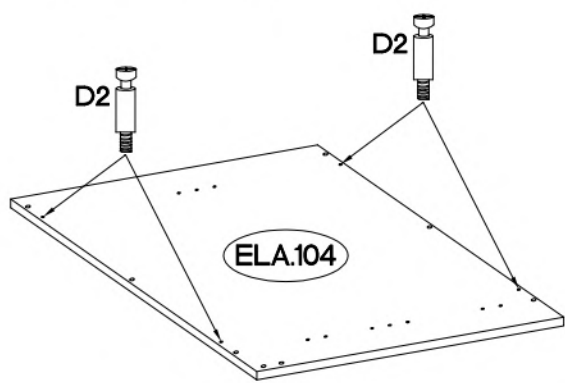
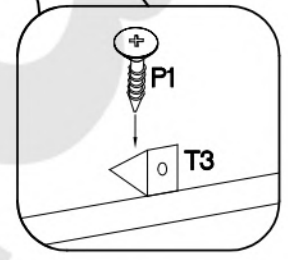
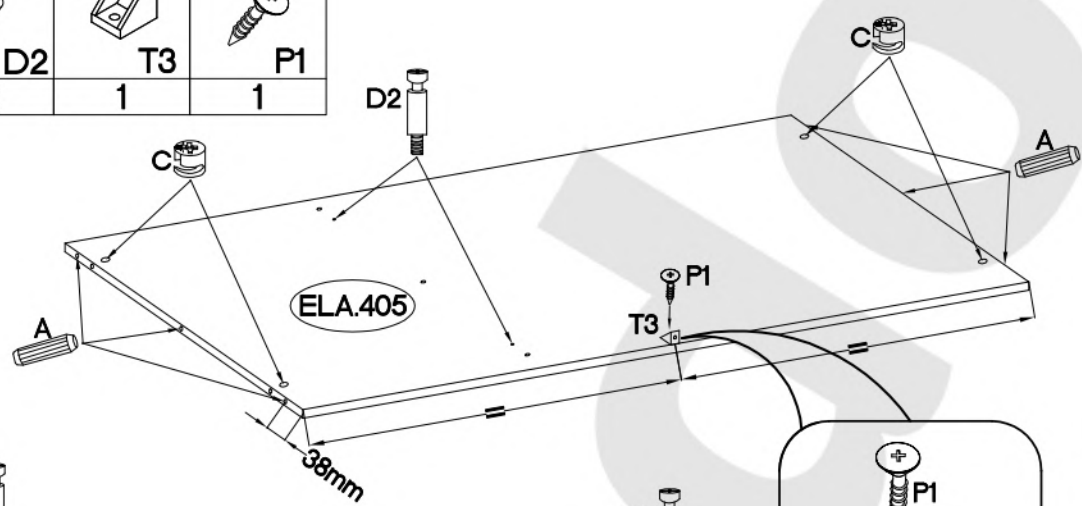
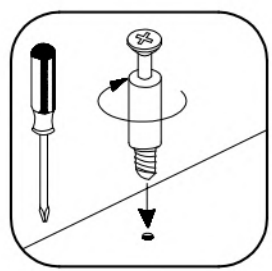


Colli	Ersatzteil Nummer	Dimension
Colli 1/1	ELA.103	550x530x15
	ELA.104	550x530x15
	ELA.301	425x495x15
	ELA.303	858x495x15
	ELA.405	1300x512x15
	ELA.409	1300x512x15
	ELA.503	518x511x15
	ELA.604	546x880x2,5
	ELA.605	546x447x2,5
	ELA.702 x3	473x430x15
	ELA.903	1300x70x15

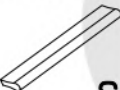







1

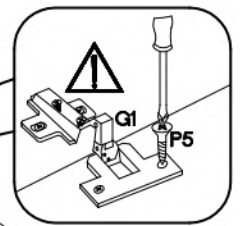
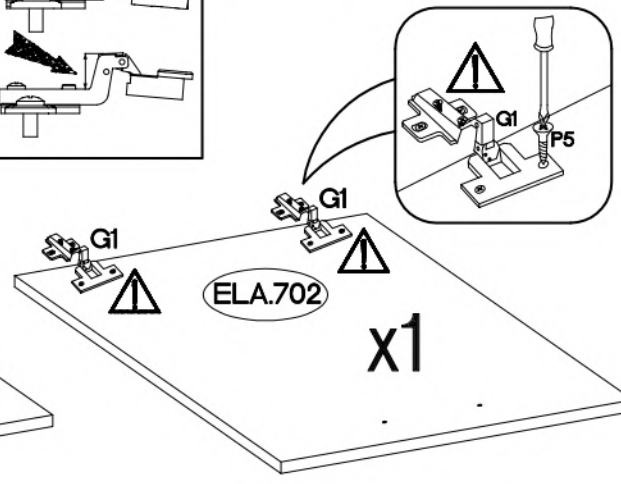
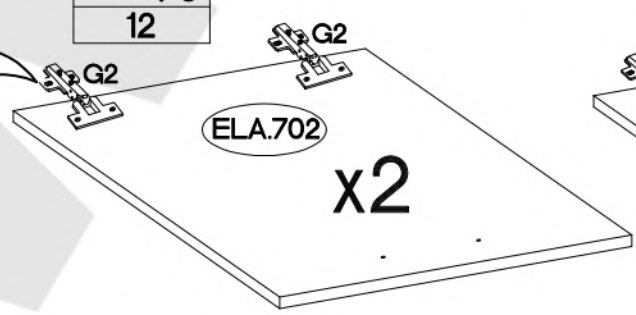
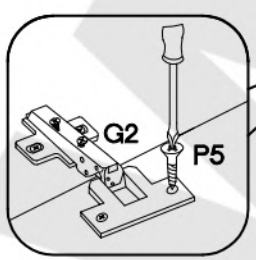
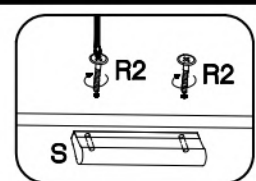
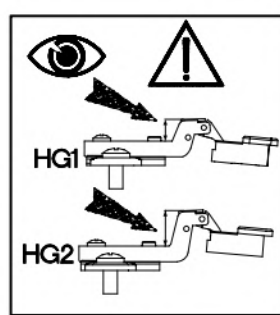
$\pm 15/12\text{mm}$  C	$\pm 8 \times 30\text{mm}$  A	L=20mm  D2	 T3	$\pm 4.0 \times 16\text{mm}$  P1
12	22	12	1	1



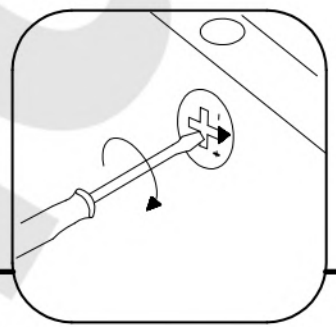
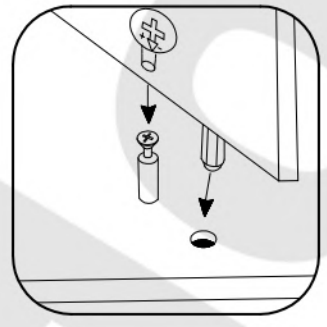
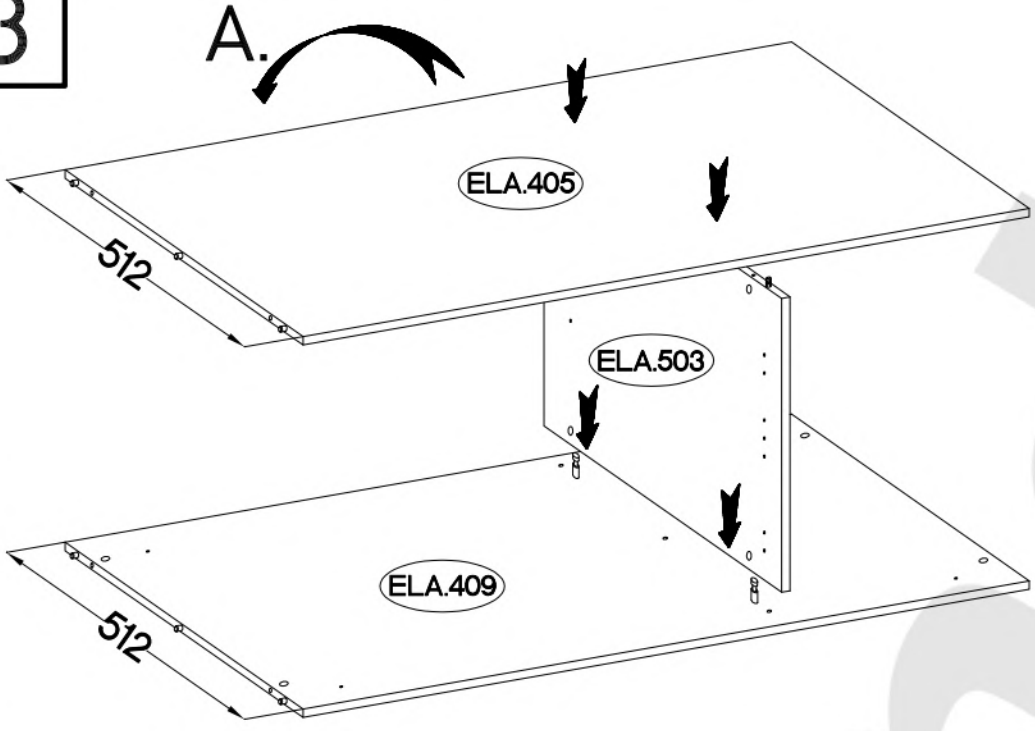
2

L=128mm  S	$\pm 4.0 \times 30\text{mm}$  R2	$\pm 35/16\text{mm}$  G2	H=0  H	$\pm 35/9\text{mm}$  G1
3	6	4	6	2

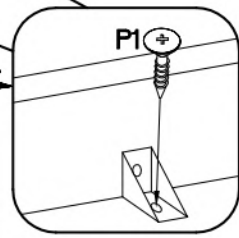
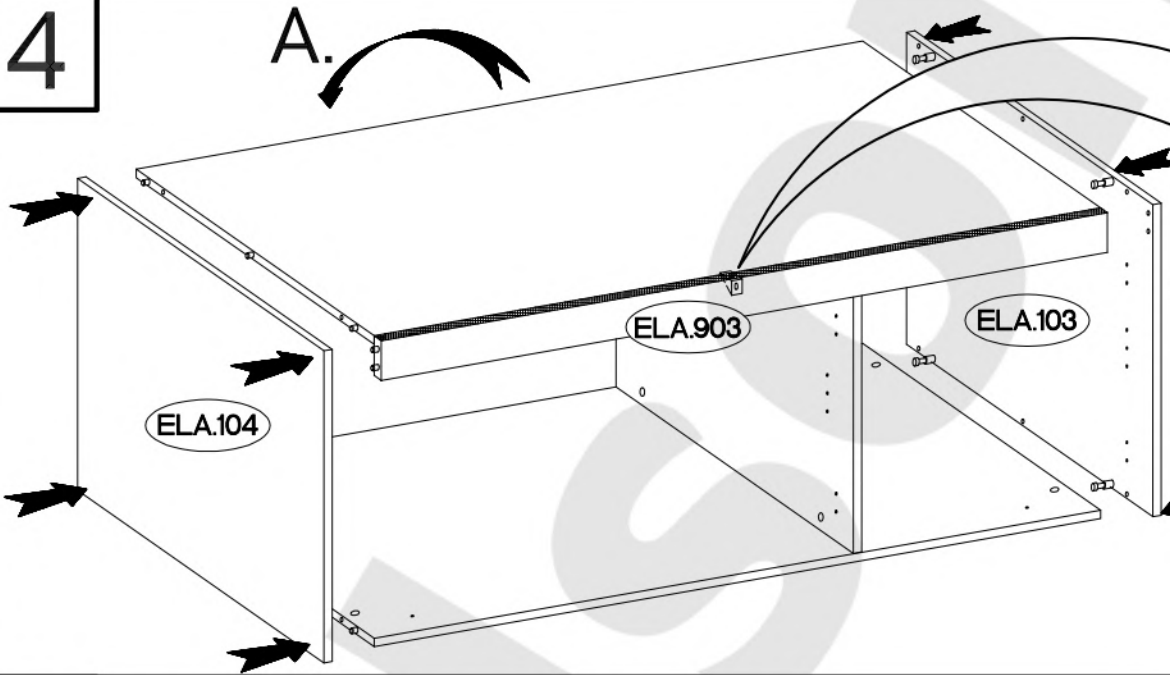
$\pm 3.5 \times 13\text{mm}$

P5
12



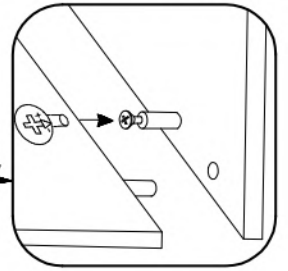
3



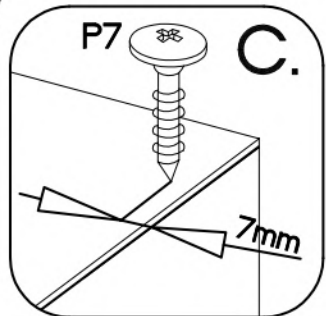
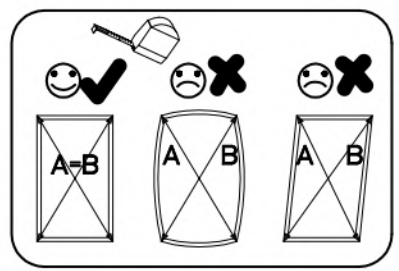
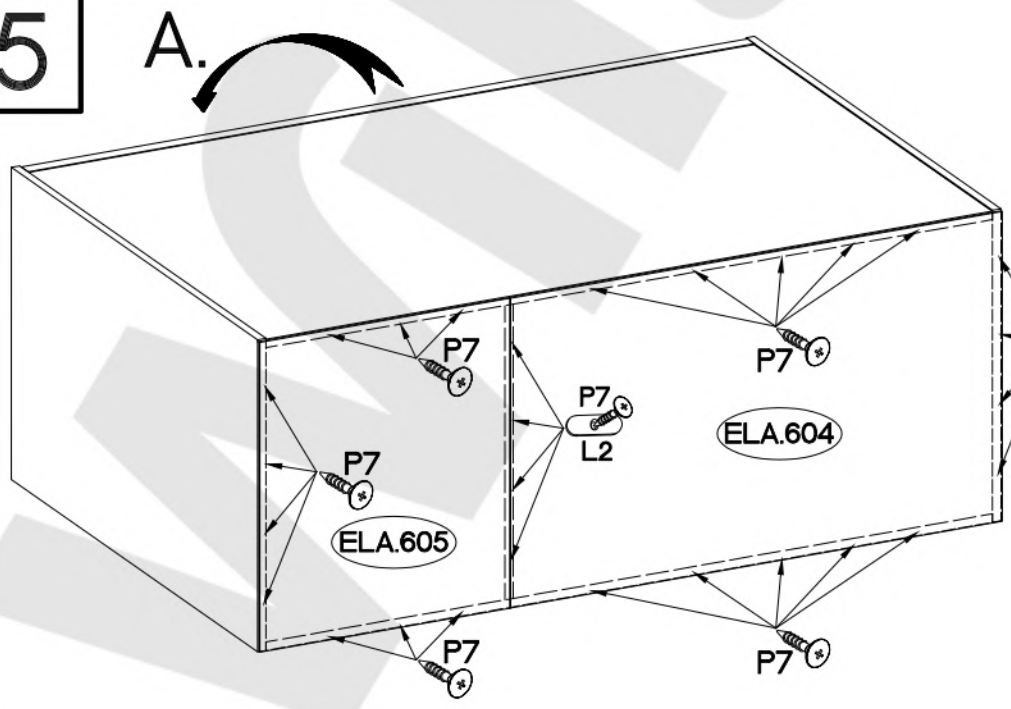
4



4.0x16mm
P1
1





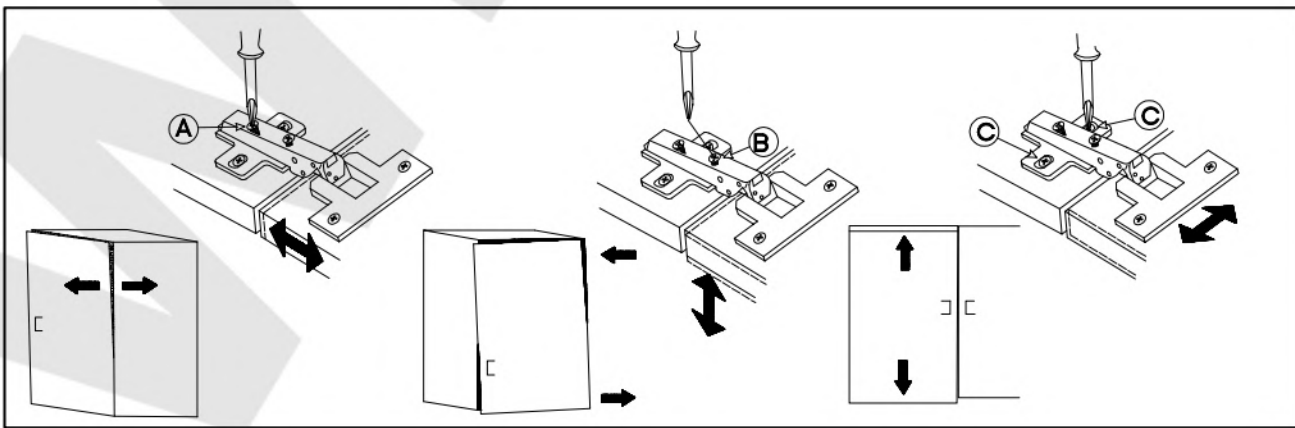
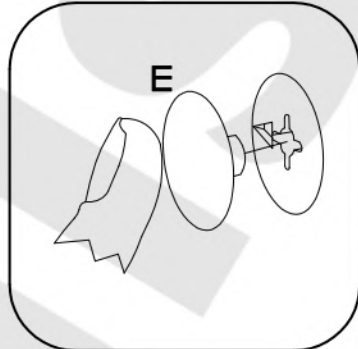
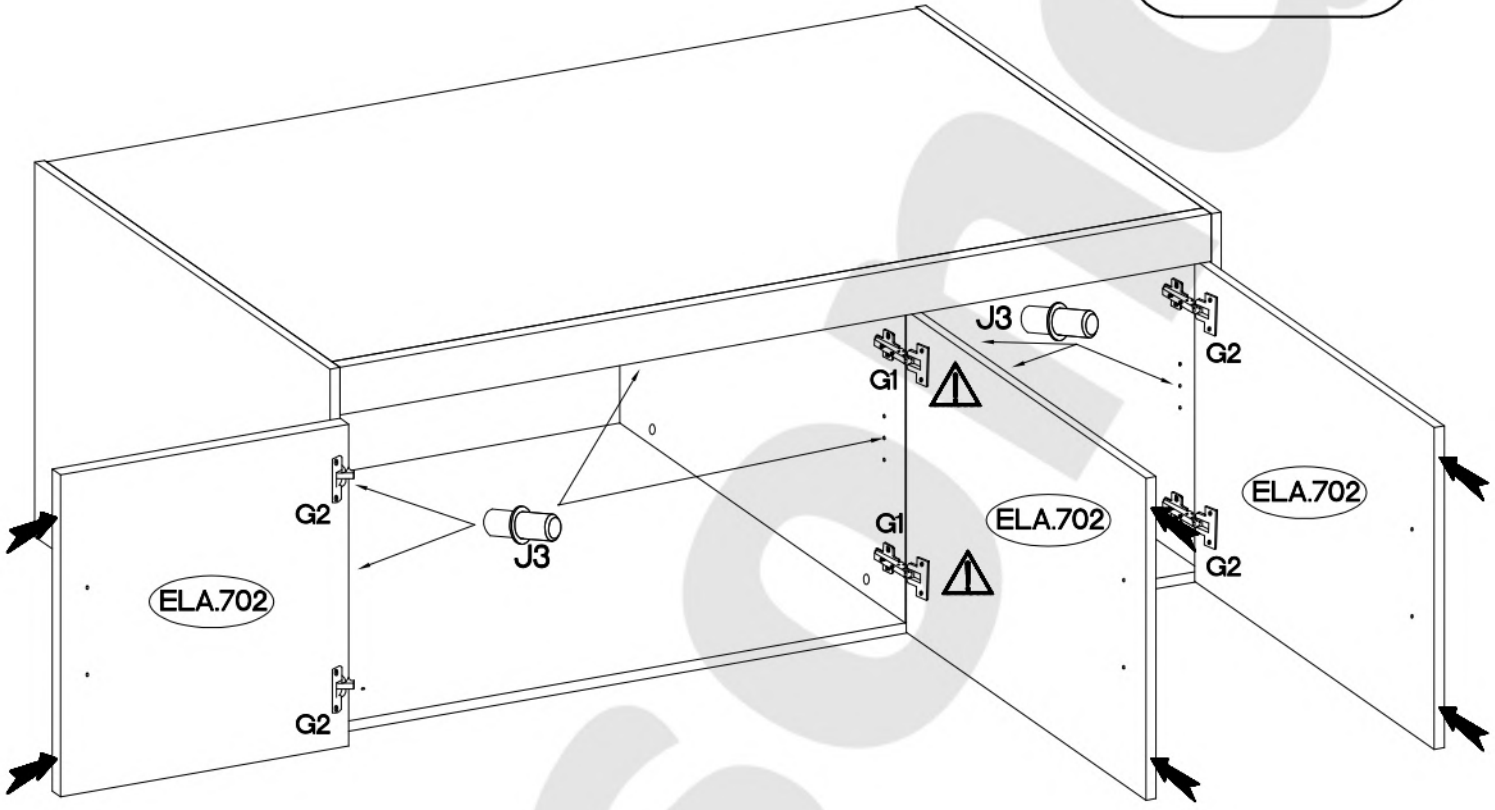
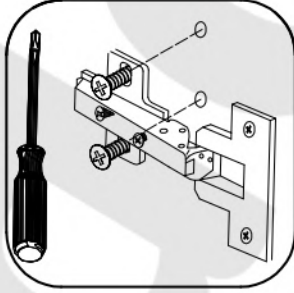
5



L2
4
3.0x20mm
P7
28

6

 E	$\pm 5/16$ mm  J3
12	8



7

4.0x25mm



R

4

