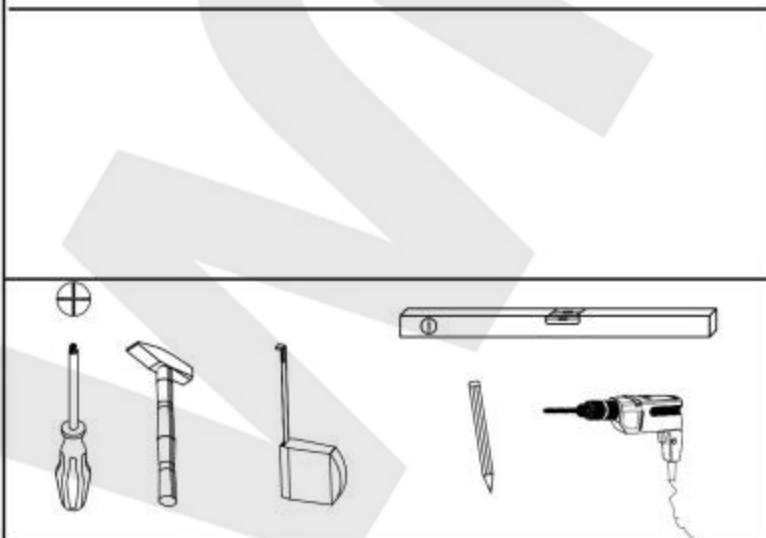
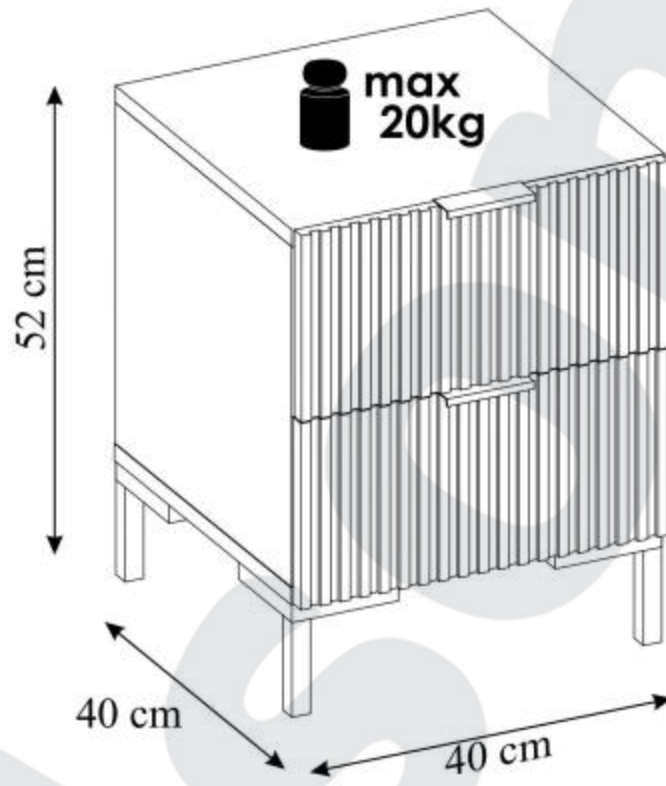
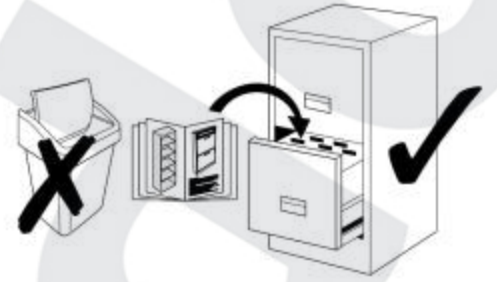
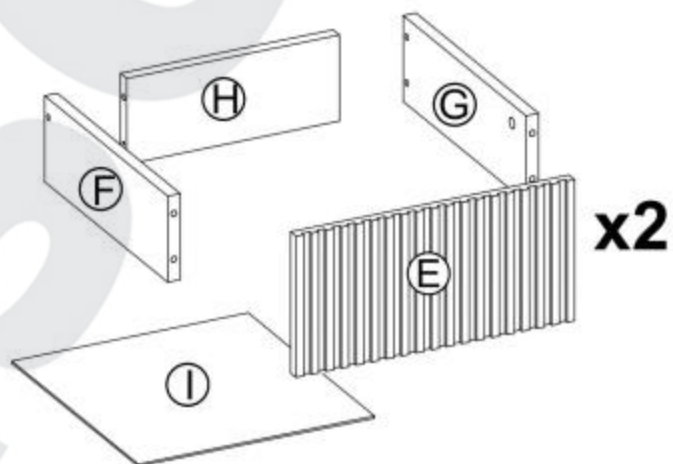
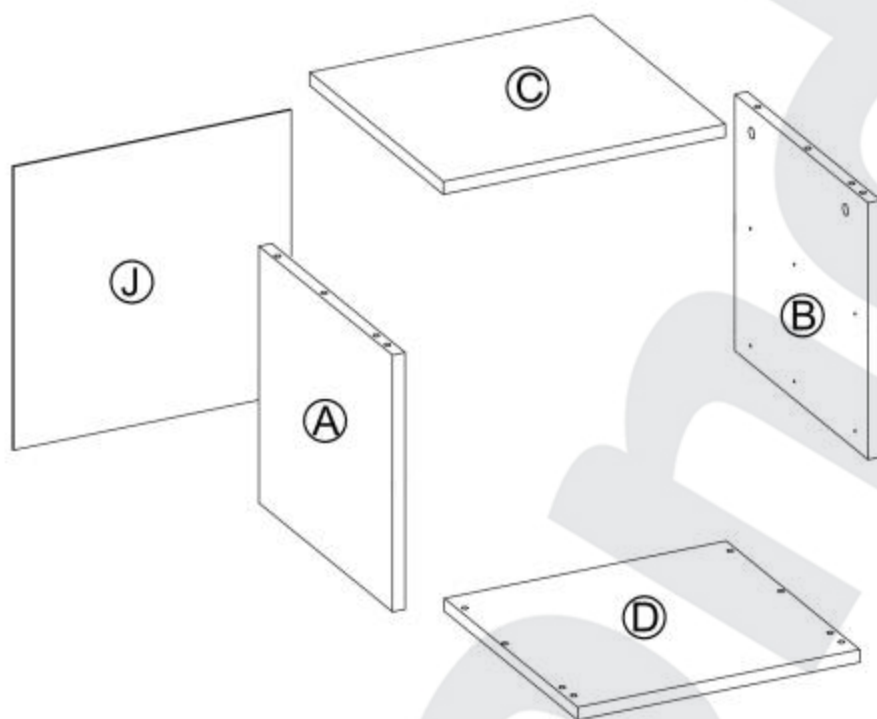





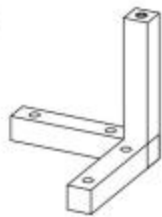











40 min.

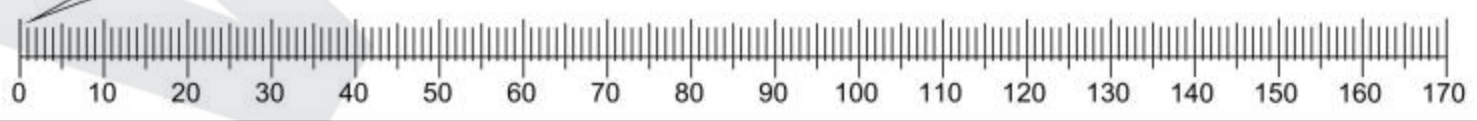


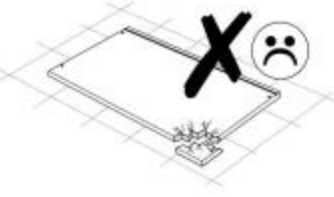
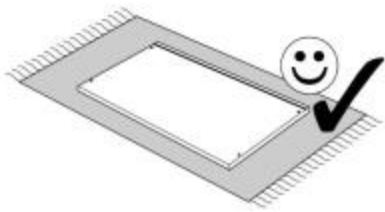


| | Kod | Wymiar | Szt. |
|---|------------|---------------|-------------|
| Ⓐ | NE-01 | 384x380x18 | 1 |
| Ⓑ | NE-02 | 384x380x18 | 1 |
| Ⓒ | NE-03 | 402x380x18 | 1 |
| Ⓓ | NE-04 | 402x381x18 | 1 |
| Ⓔ | NE-05 | 396x197x16 | 2 |
| Ⓕ | NE-06 | 350x120x18 | 2 |
| Ⓖ | NE-07 | 350x120x18 | 2 |
| Ⓗ | NE-08 | 303x119x18 | 2 |
| Ⓘ | NE-09 | 337x358x3 | 2 |
| Ⓙ | NE-10 | 396x396x3 | 1 |

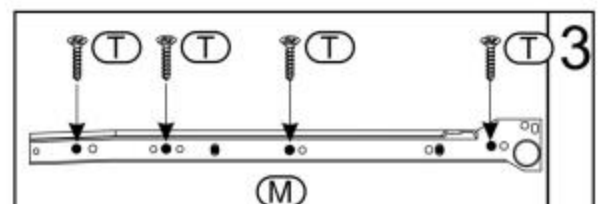
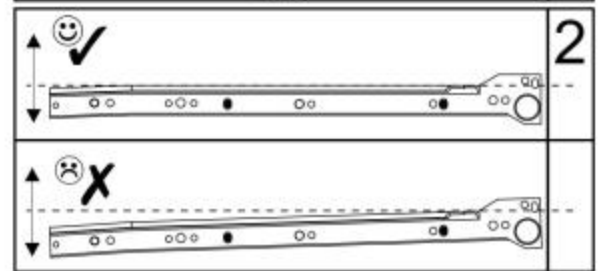
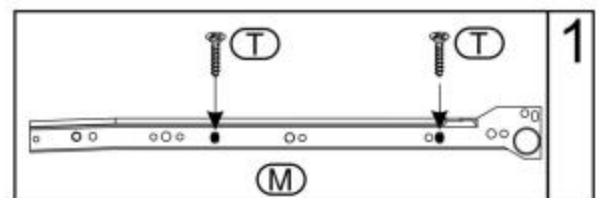
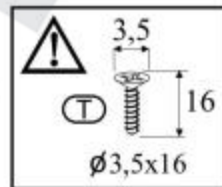
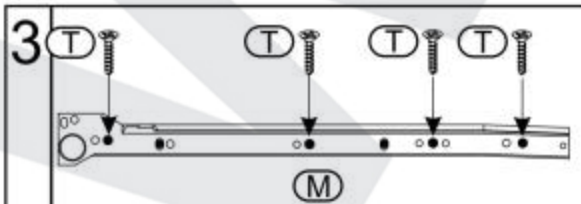
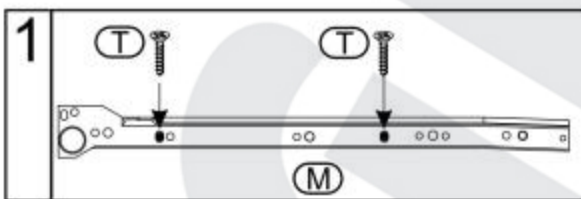
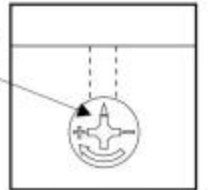
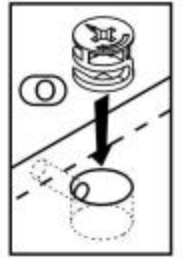
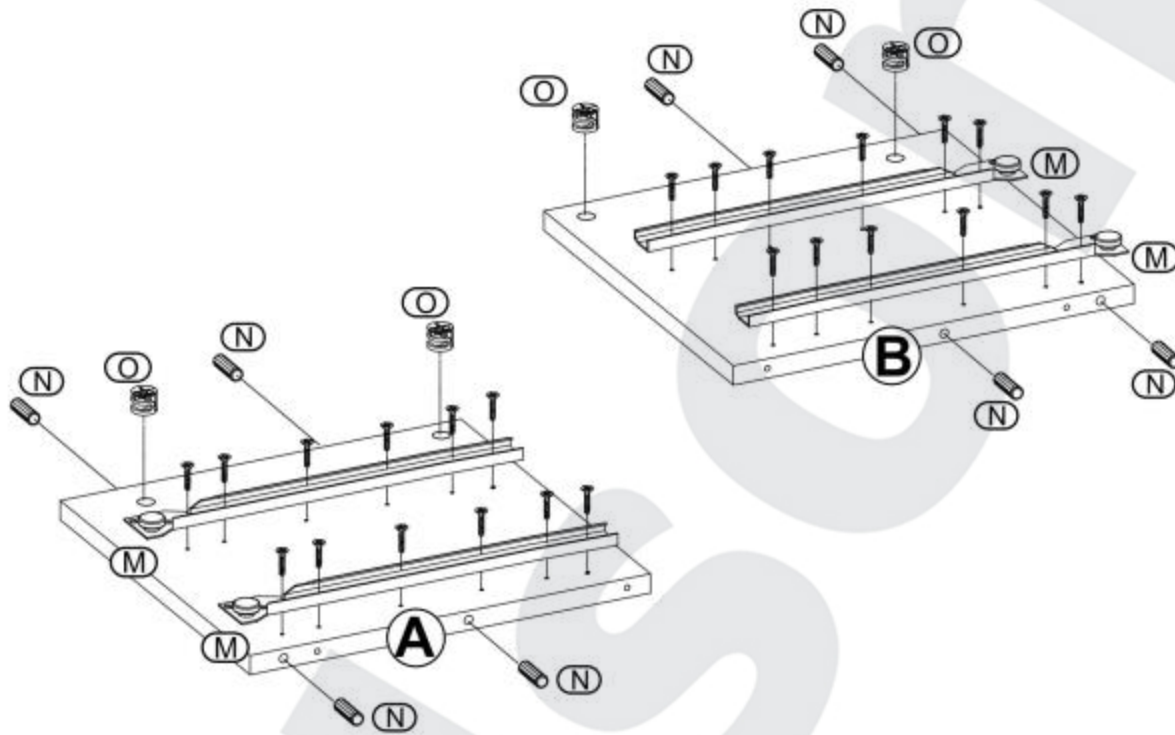
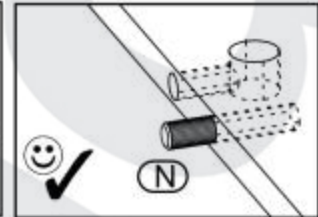
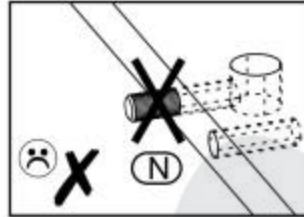
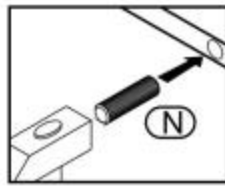


| | | | |
|--|---|--|---|
| <p>(K) x16</p>  <p>ø 4x25</p> | <p>(L) x4</p>  | <p>(M) x2</p>  <p>L-350</p> | |
| <p>(N) x16</p>  <p>ø 8x30</p> | <p>(O) x8</p>  | <p>(P) x4</p>  <p>ø 20</p> | <p>(Q) x8</p>  |
| <p>(R) x8</p>  <p>ø 7x50</p> | <p>(S) x1</p>  | <p>(T) x36</p>  <p>ø 3,5x16</p> | <p>(U) x30</p>  |
| <p>(W) x2</p>  | <p>(X) x4</p>  <p>ø 3x12</p> | | |

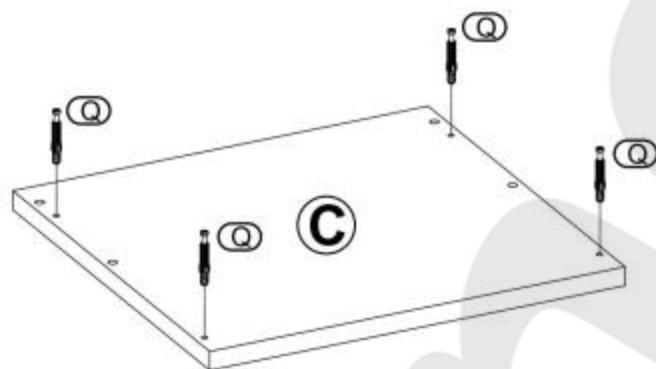
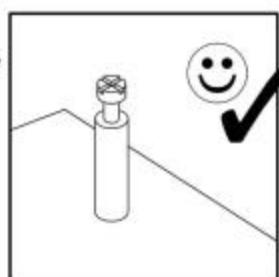
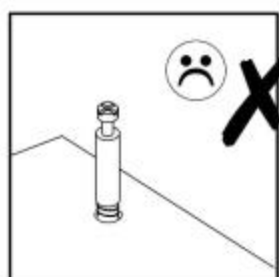




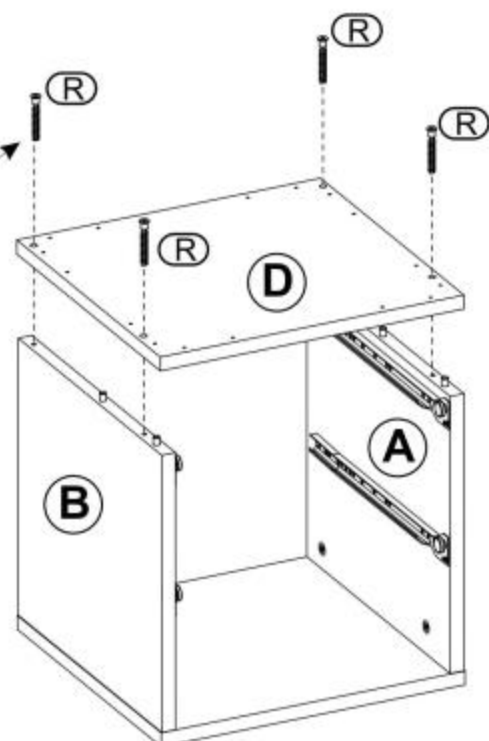
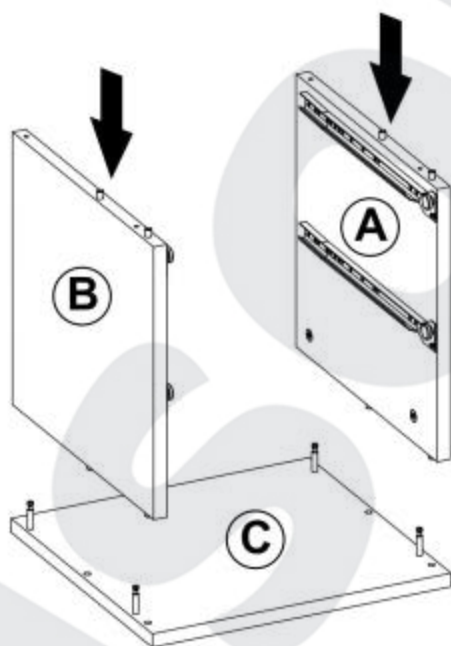
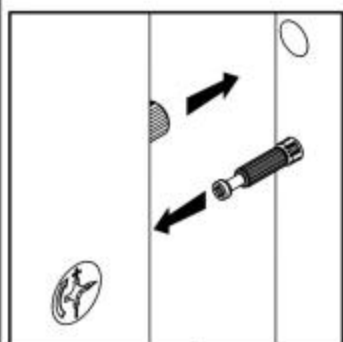
1



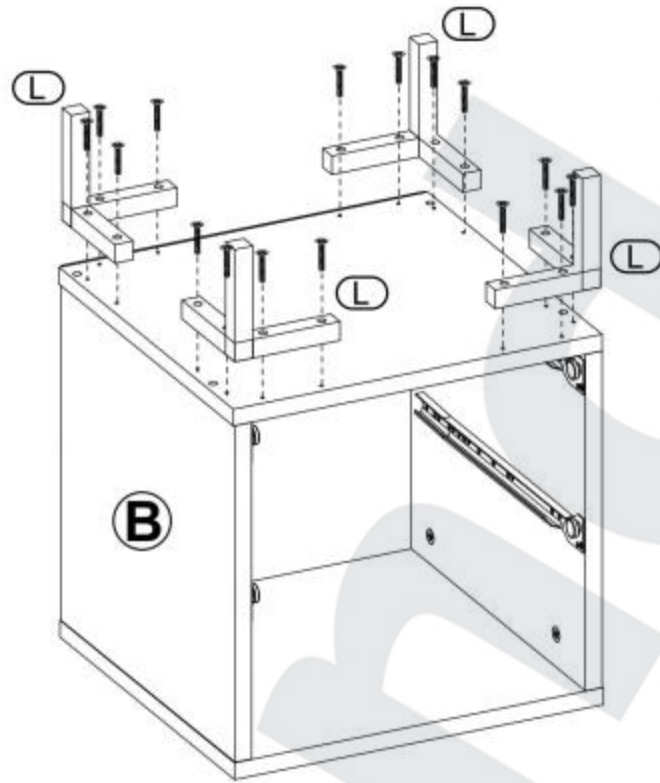
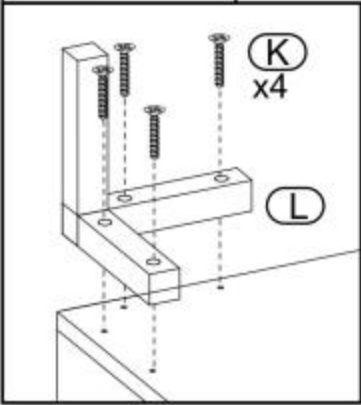
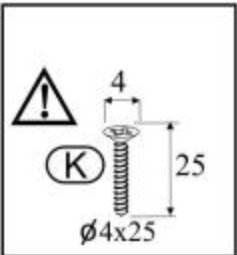
2



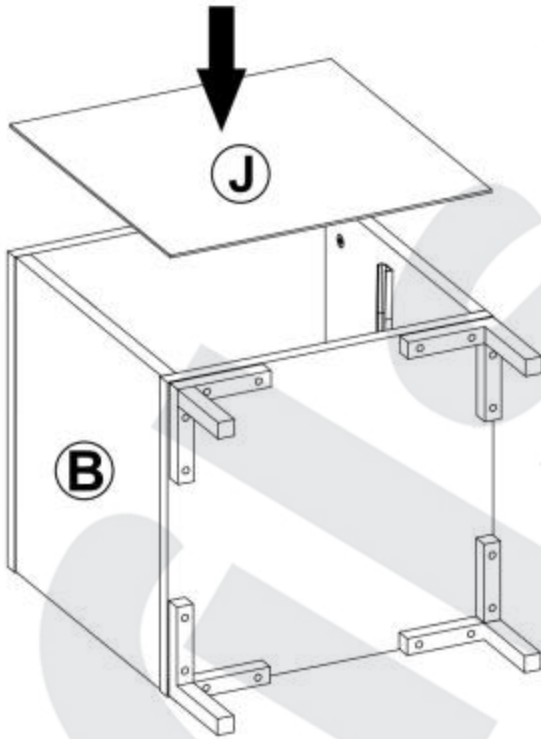
3



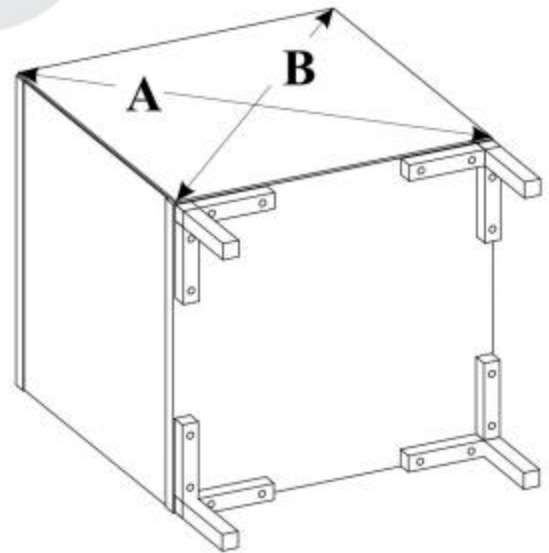
4



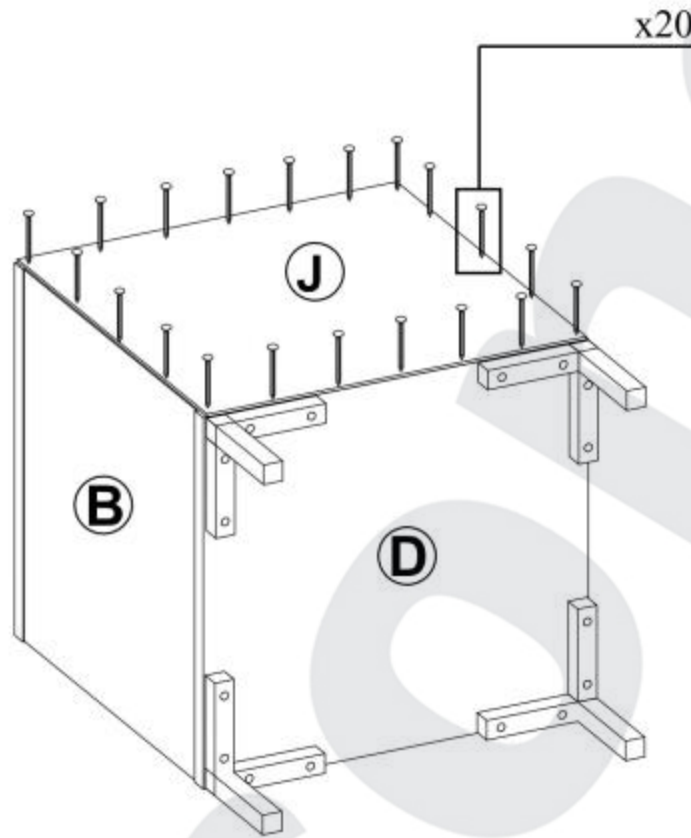
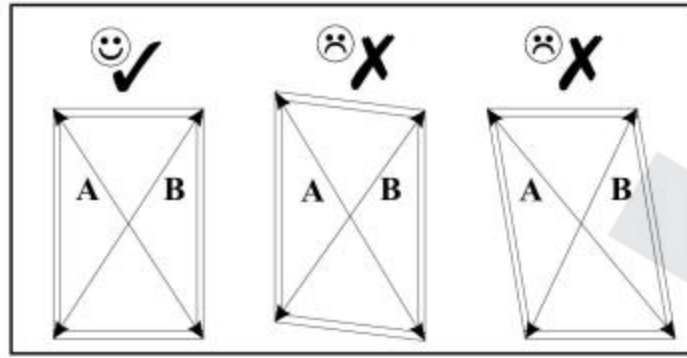
5



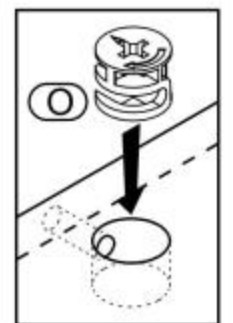
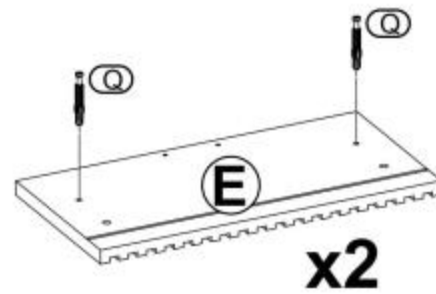
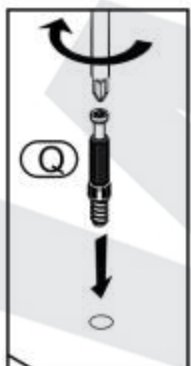
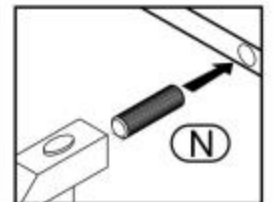
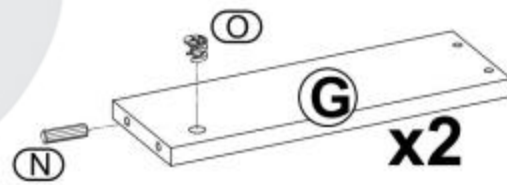
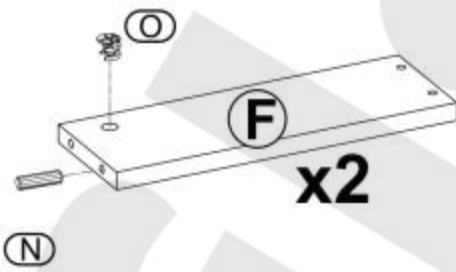
A=B



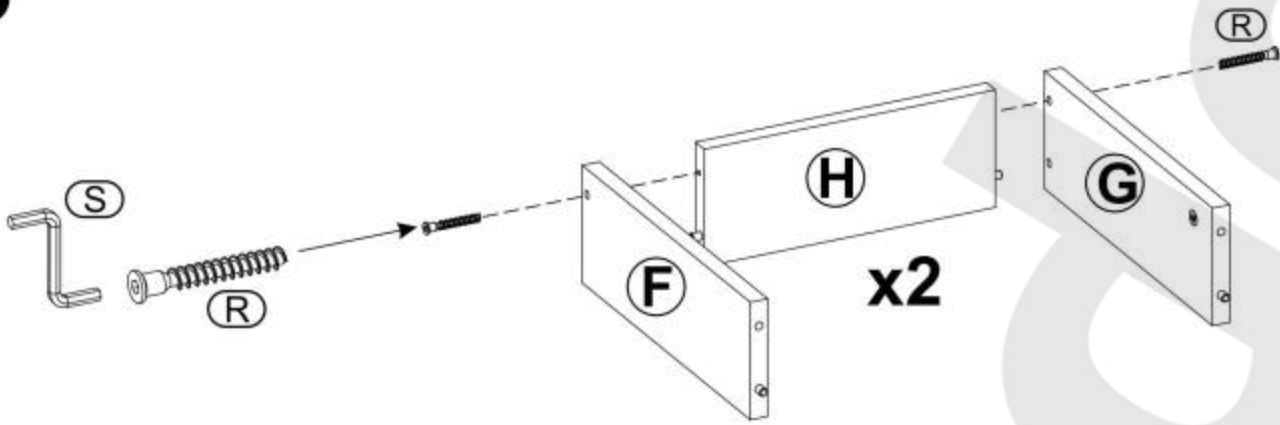
6



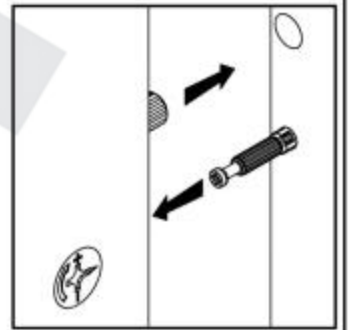
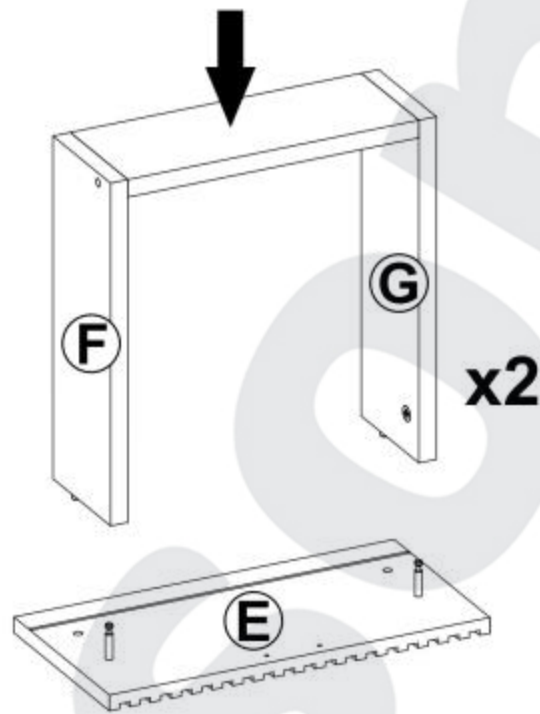
7



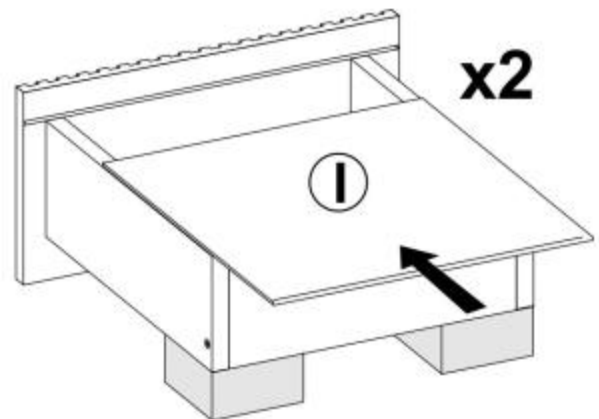
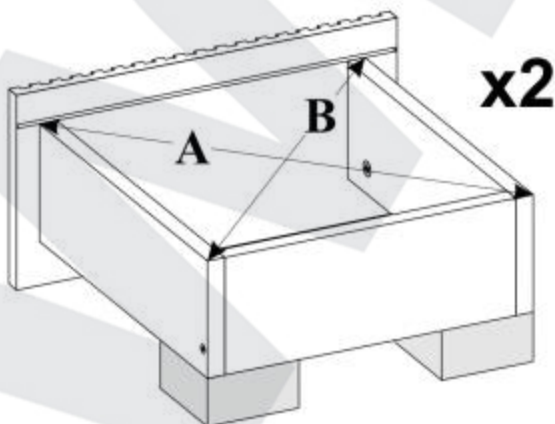
8



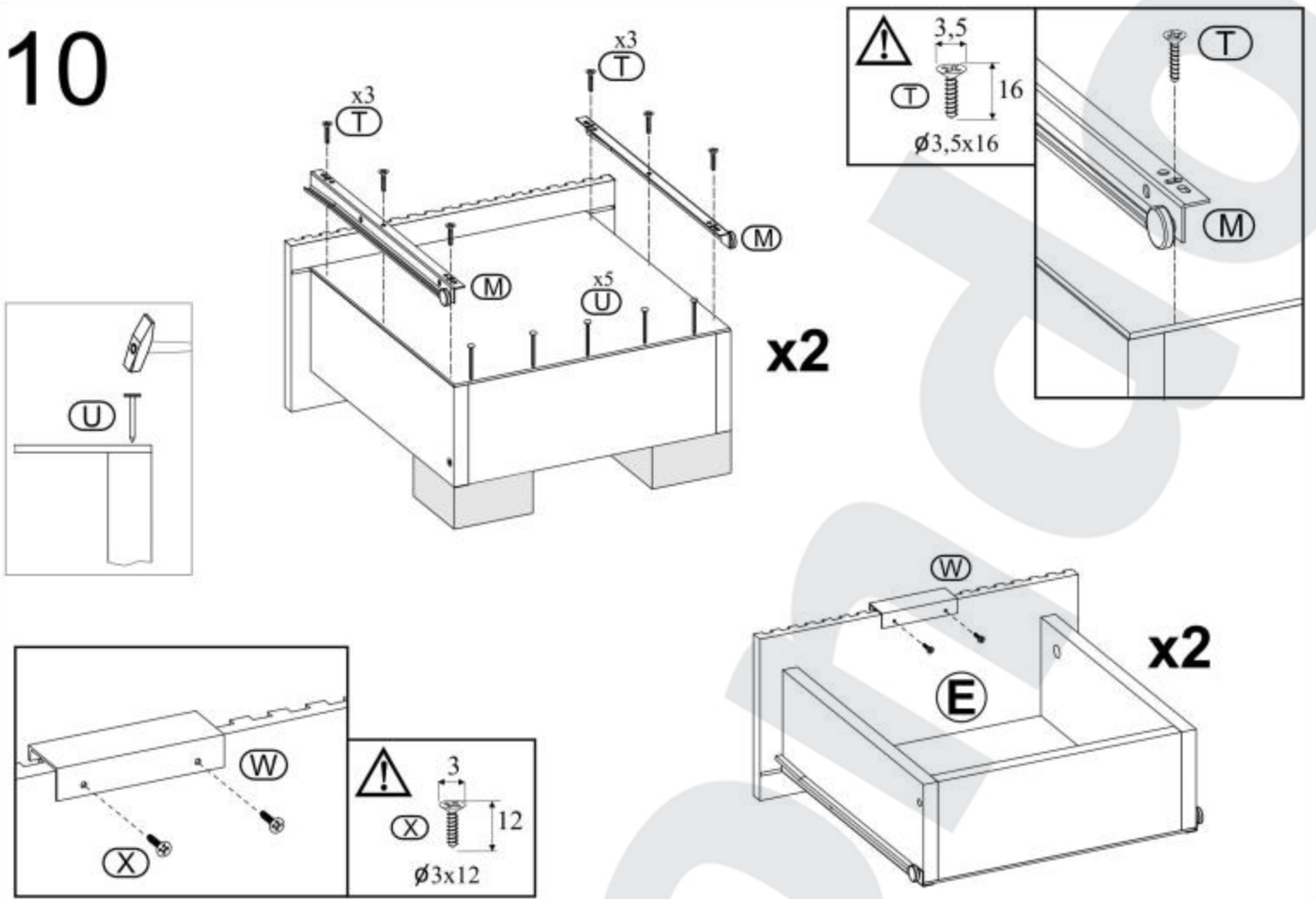
9



$A=B$



10



11

