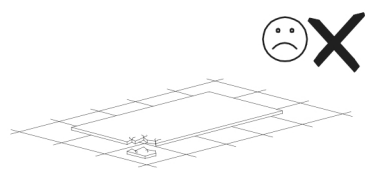
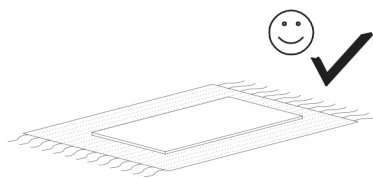
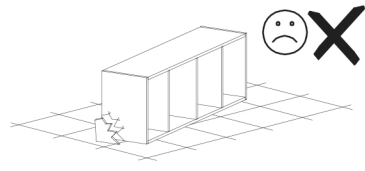
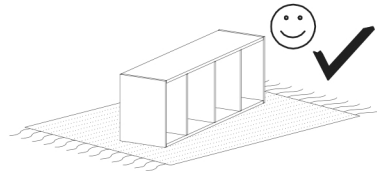
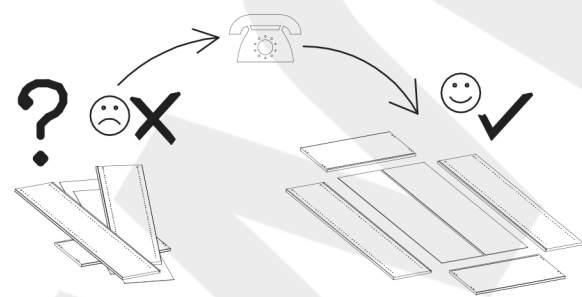
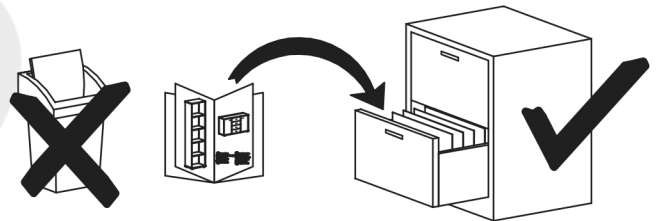
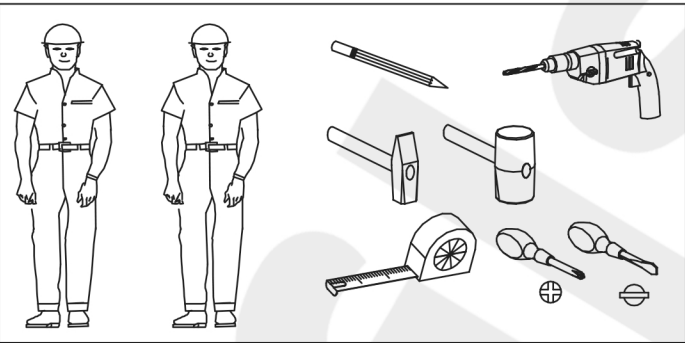
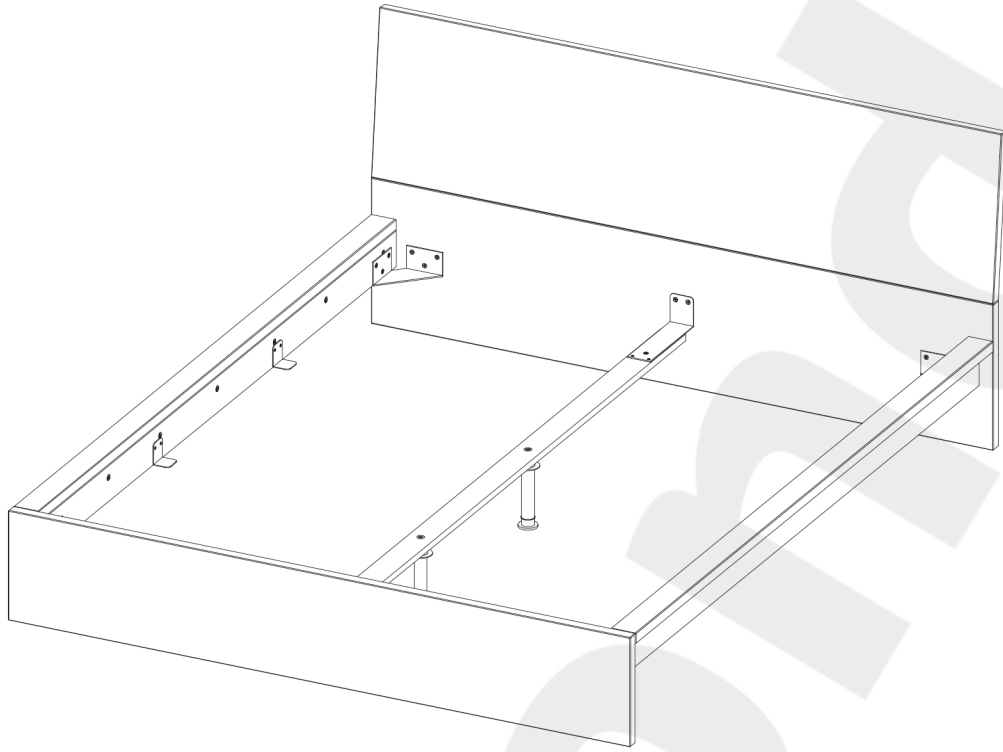
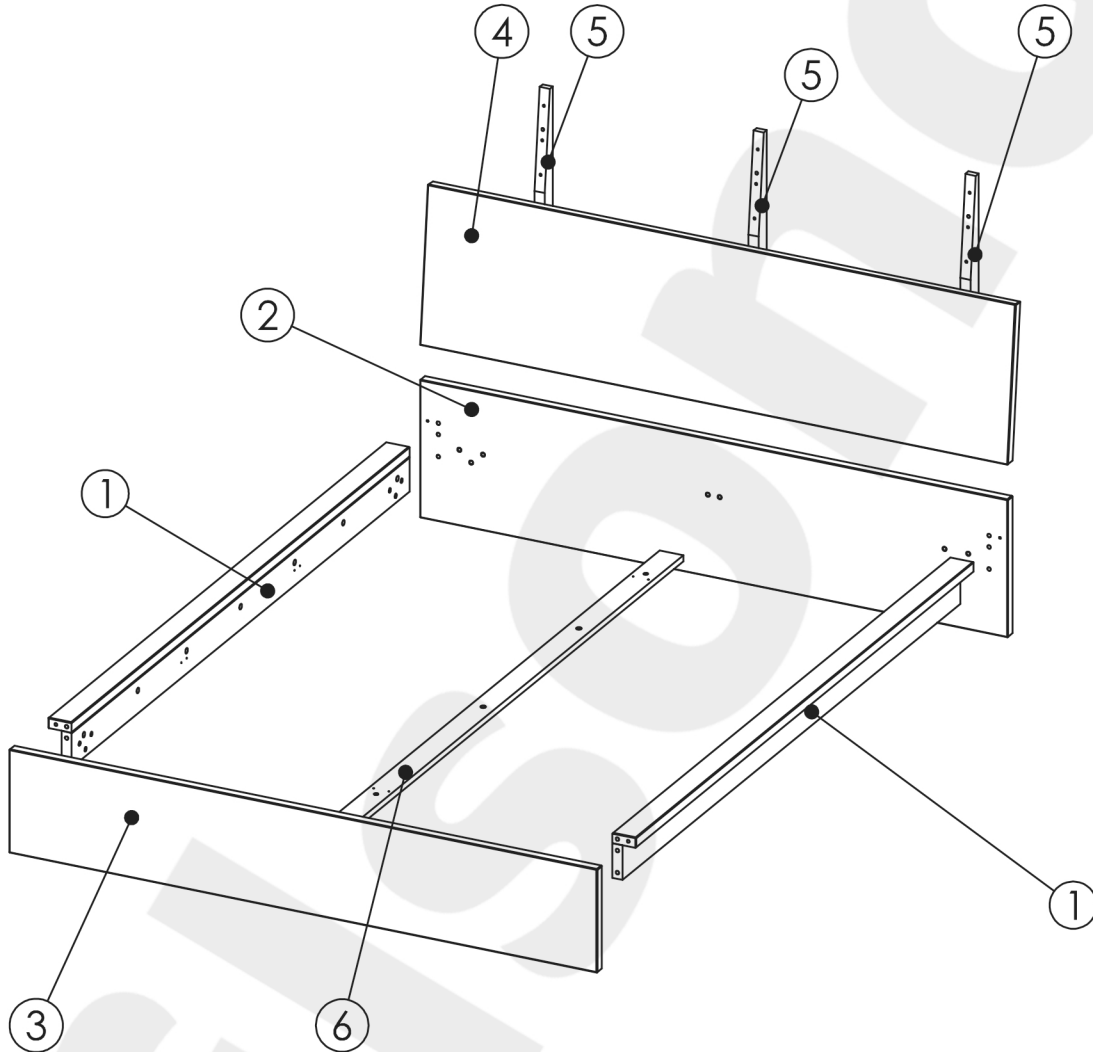
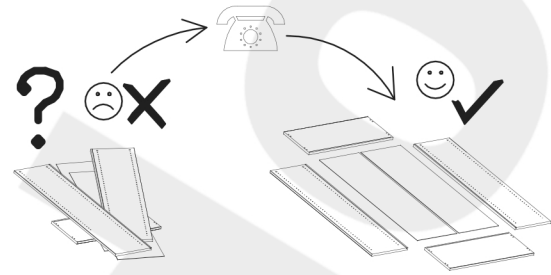
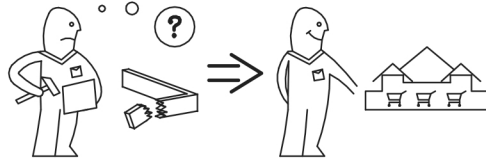
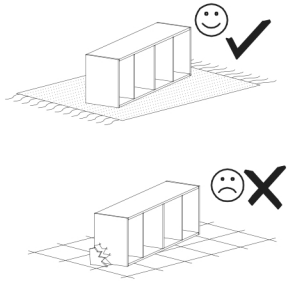
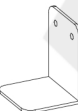
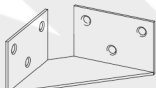
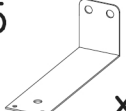


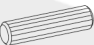
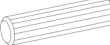



Orset


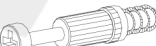
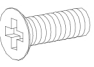
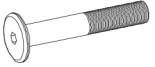



Orset



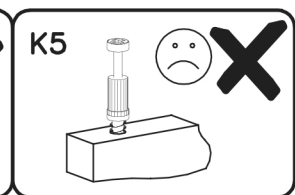
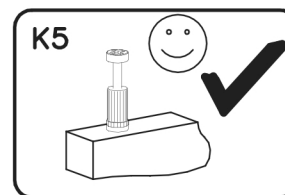
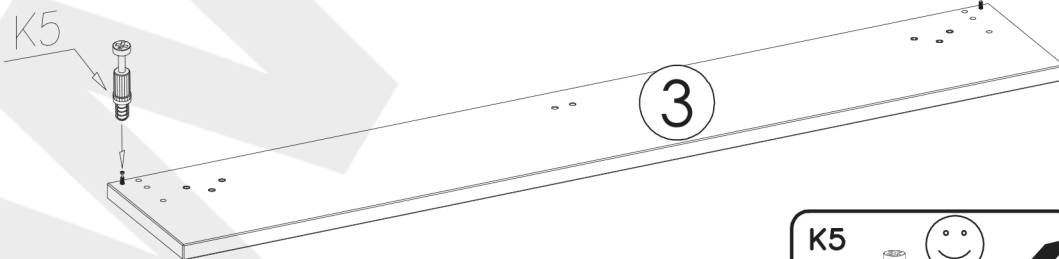
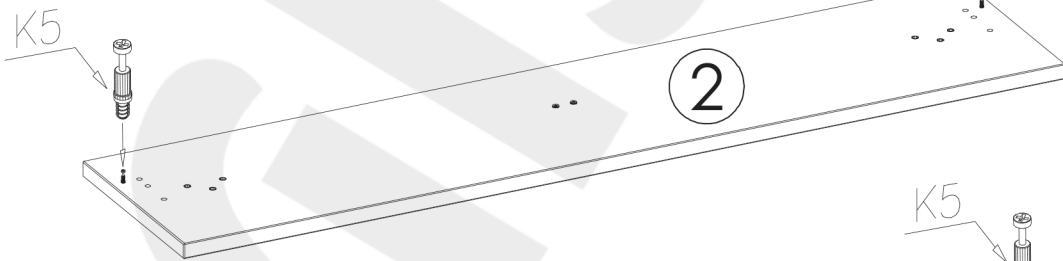
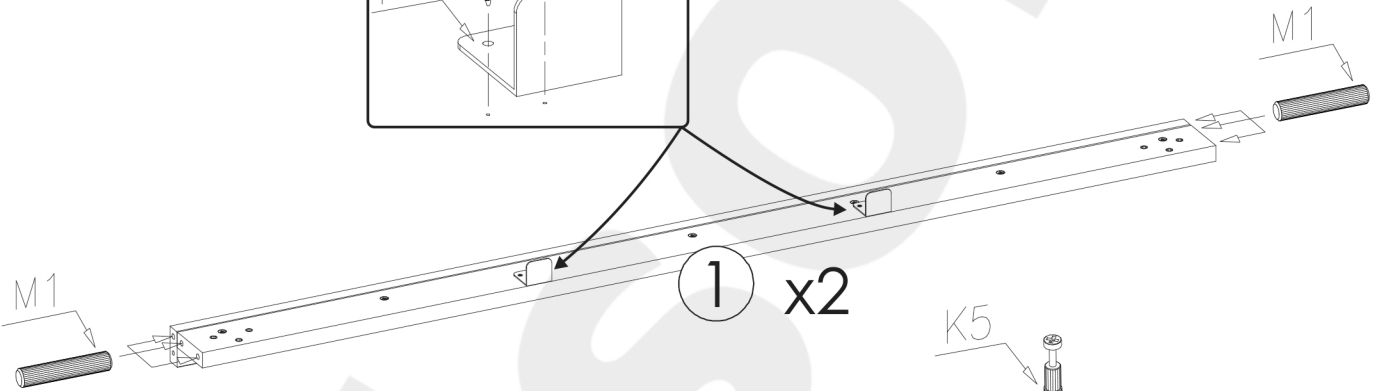
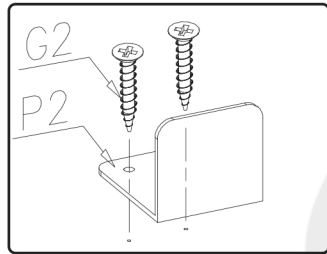
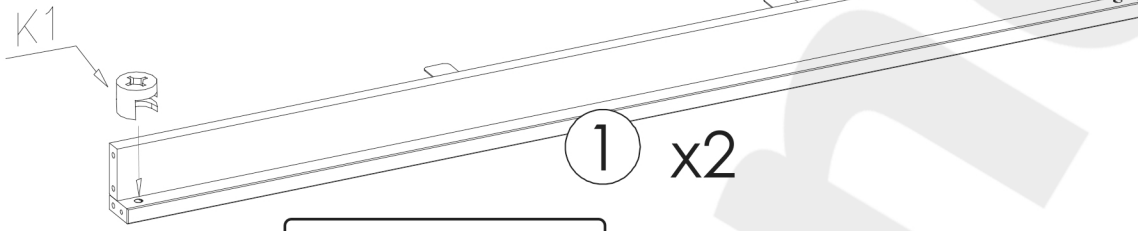
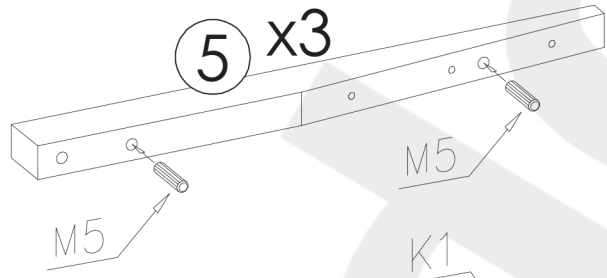
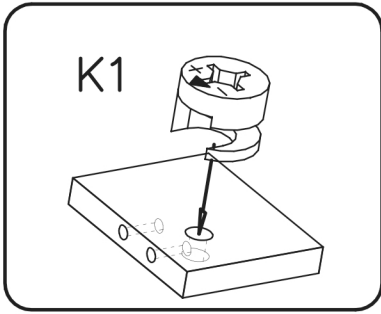
P2  x...(4)	P1  x...(4)	P5  x...(2)
---	--	--

M5  8x35 x...(9)	M1  10x40 x...(12)	G1  3,5x16 x...(4)	G2  4x20 x...(8)	G3  3,5x30 x...(9)
---	---	---	--	---

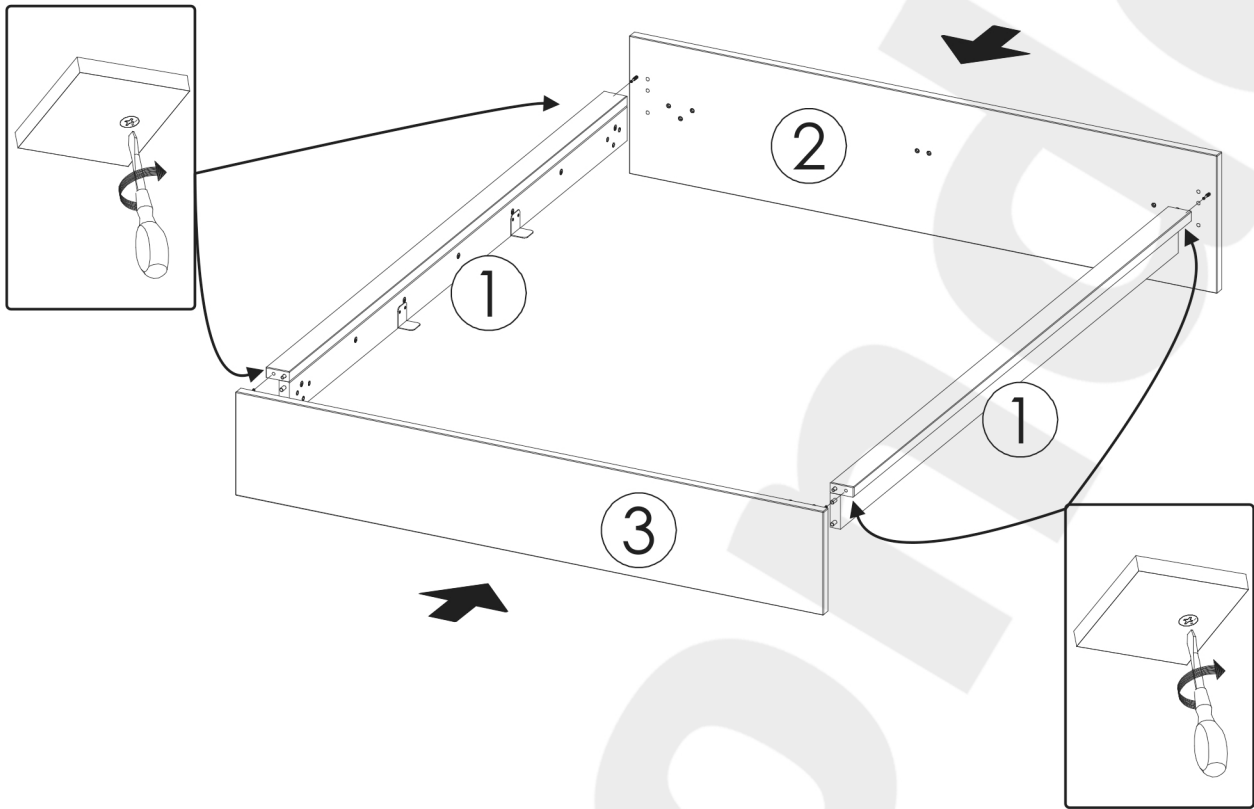
K1  x...(4)	K5  x...(4)	N23  M8x20 x...(30)	N2  M8x50 x...(6)	P7  x...(2)
---	--	--	---	--

Orset

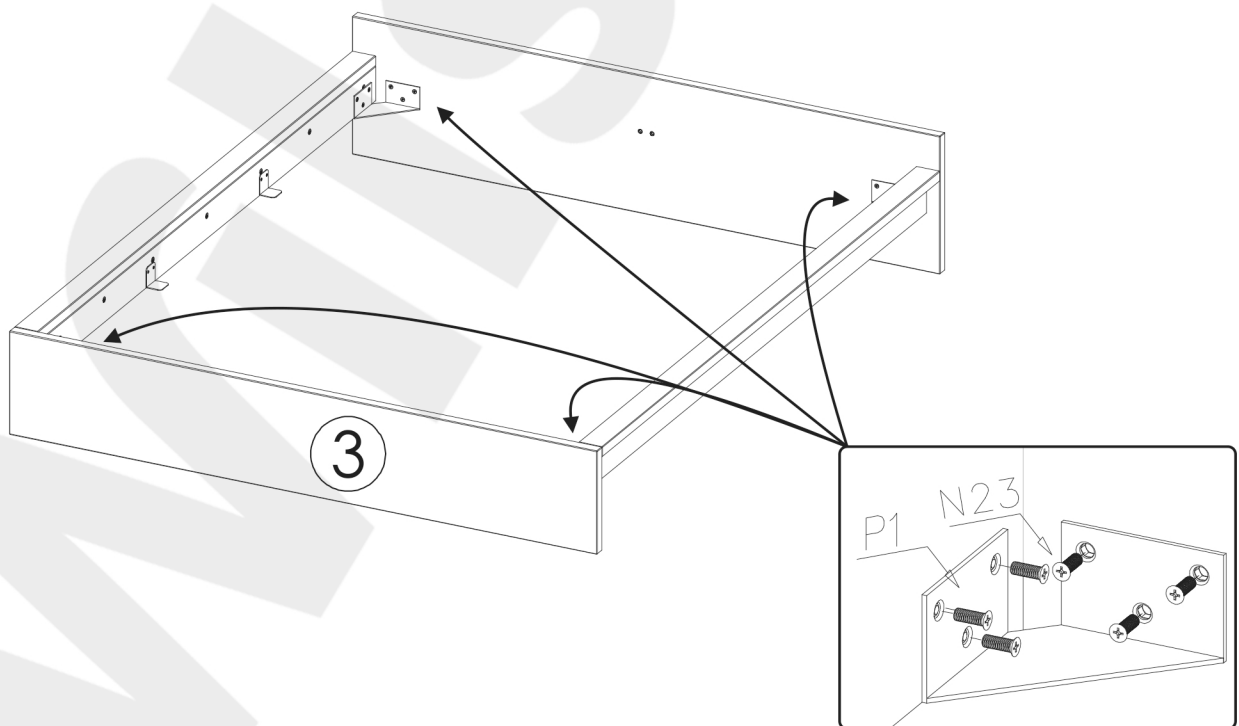
I



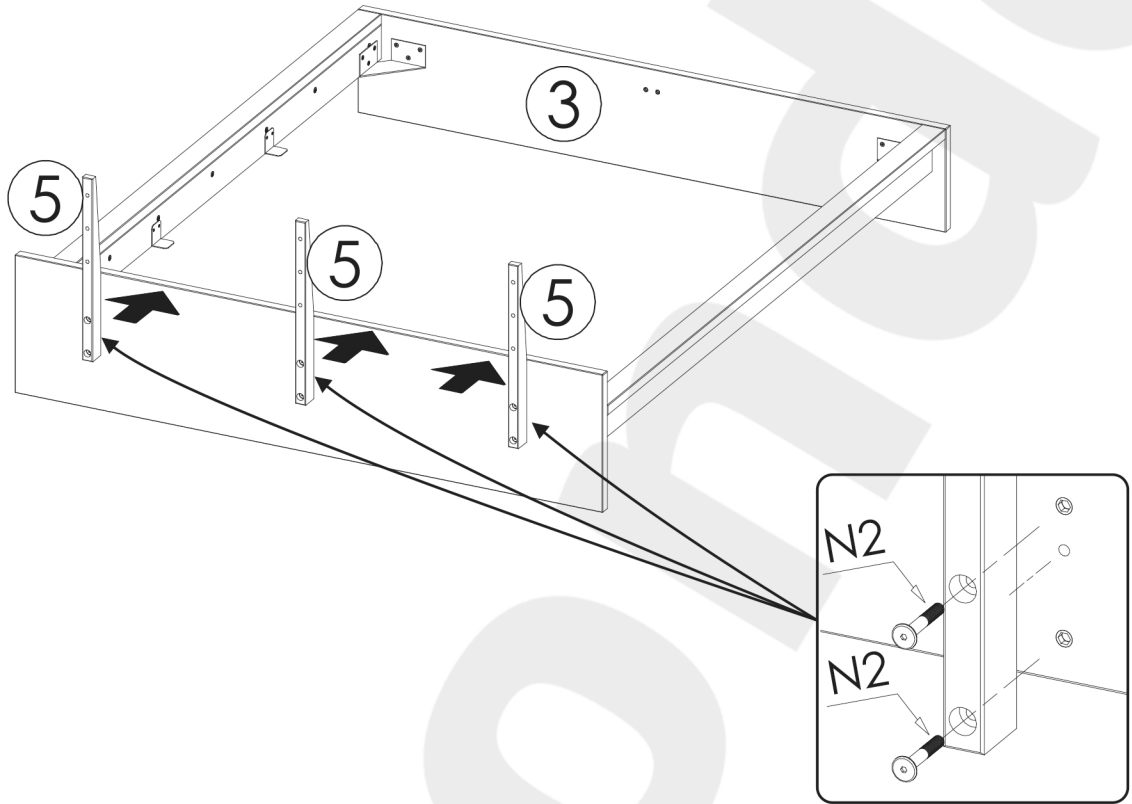
II



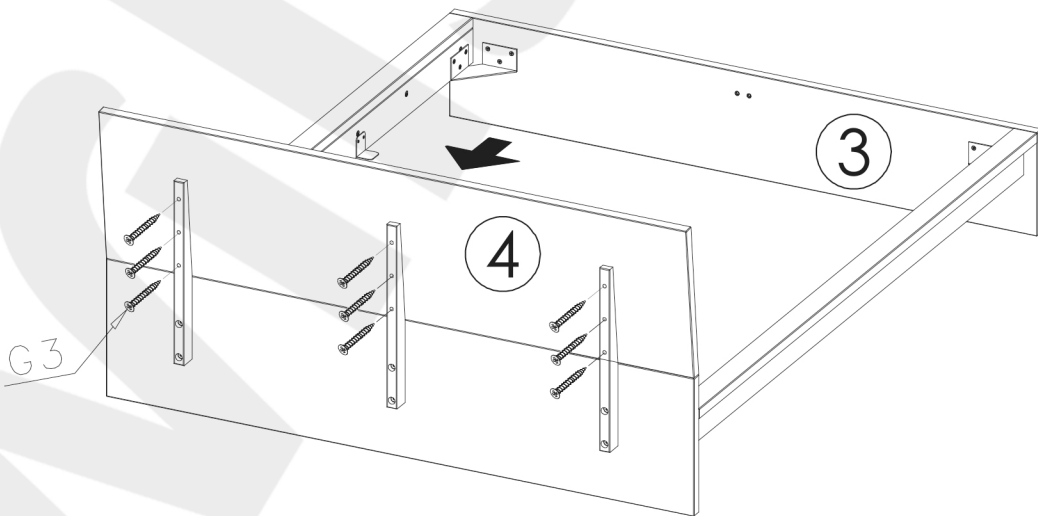
III



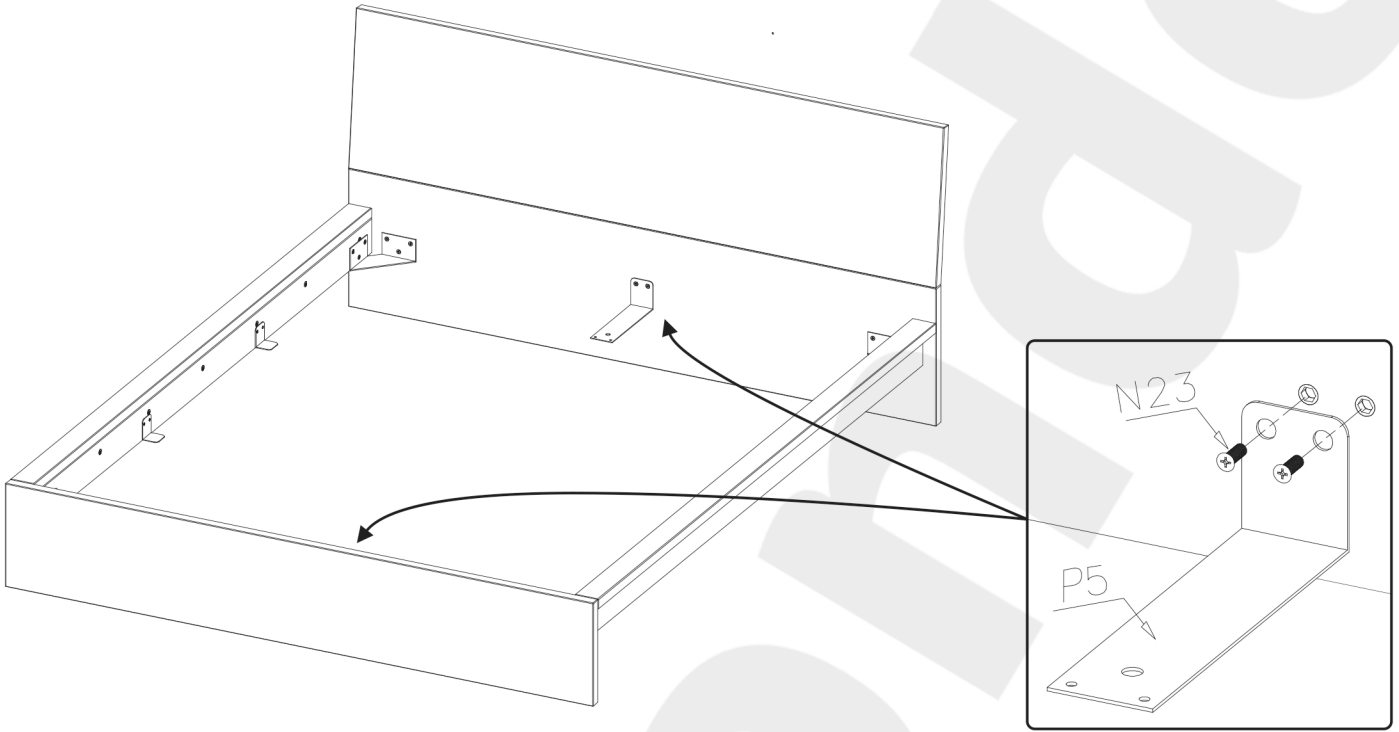
IV



V



VI



VII

