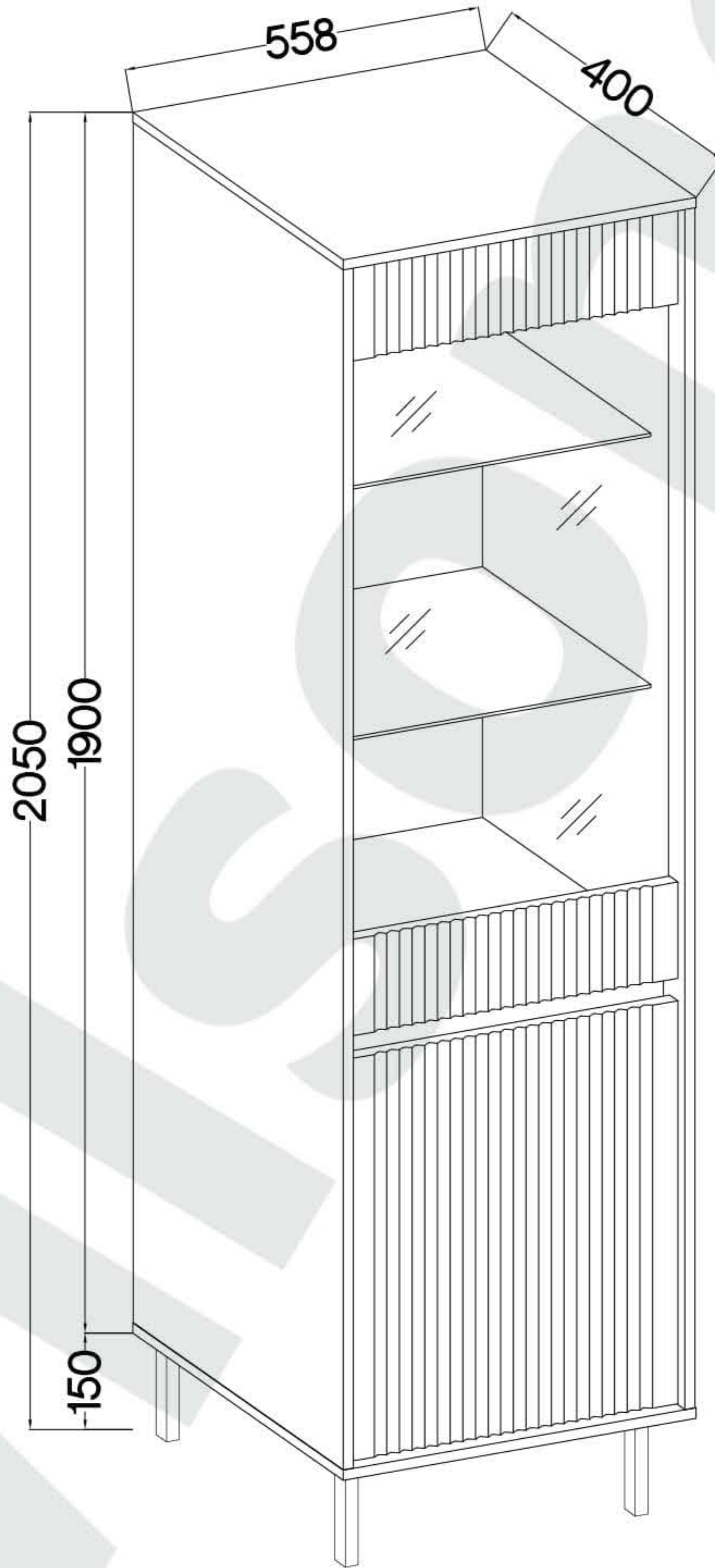


TYP 101

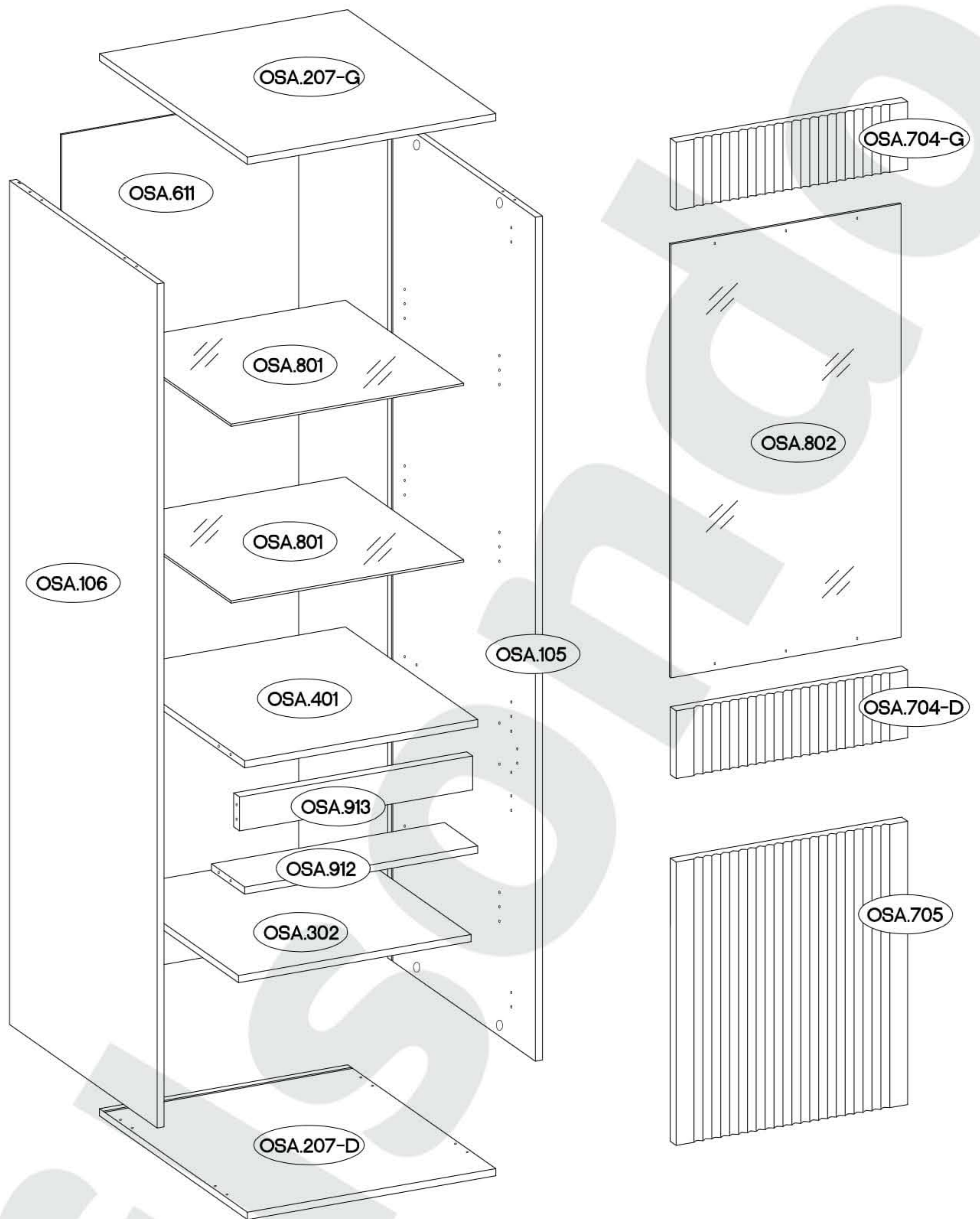



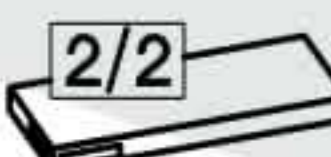
 A 20	 C 12	 D2 12
 J5 2	 J3 4	 J7 6

 J12 8	 L 16	 L19 1	 O7 1	 P5 10	 P12 1	 P7 4	 R11 18
--------------	-------------	--------------	-------------	--------------	--------------	-------------	---------------

 E11 10	 F34 4	 HG2 4
---------------	--------------	--------------

ISM-OSA-006

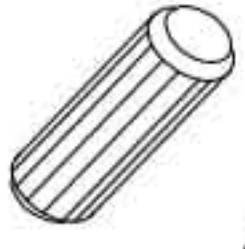




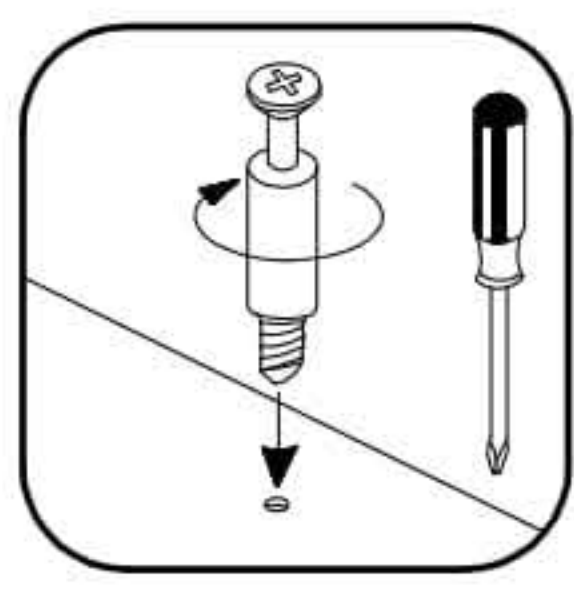
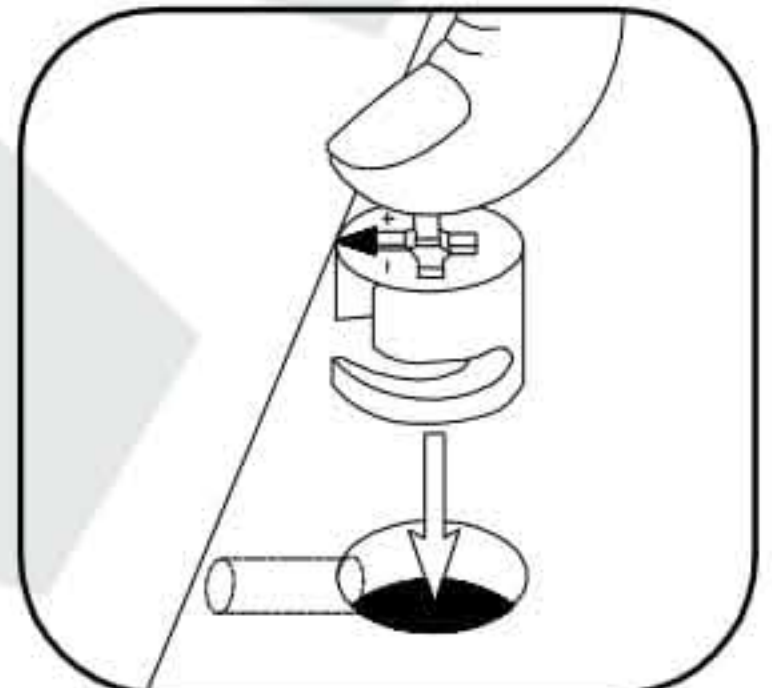
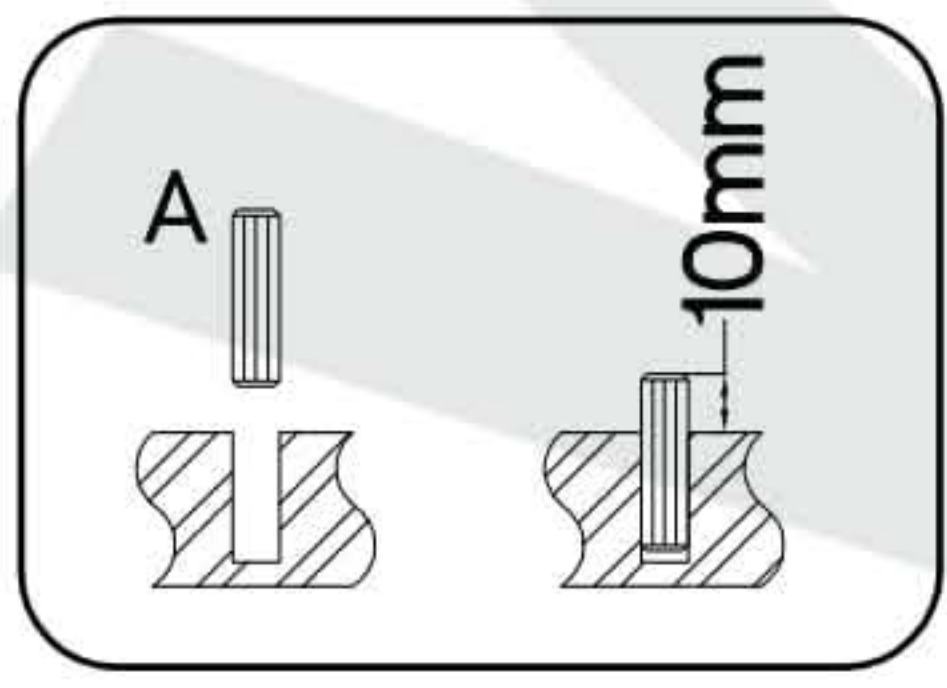
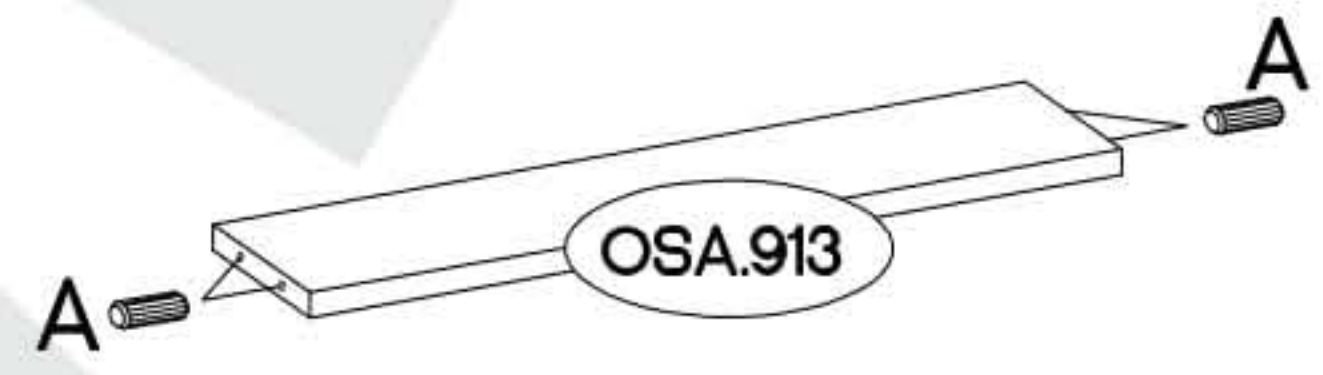
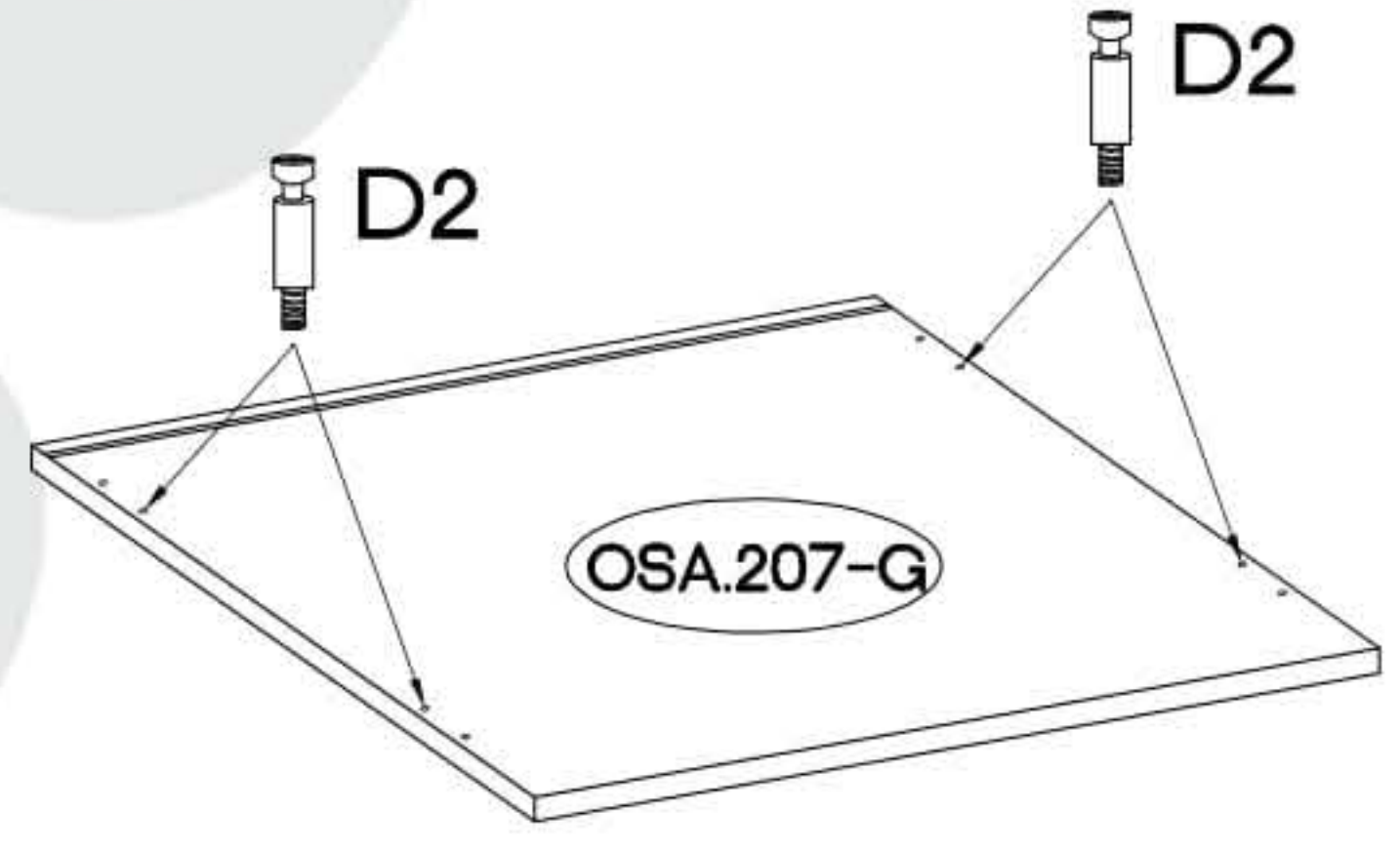
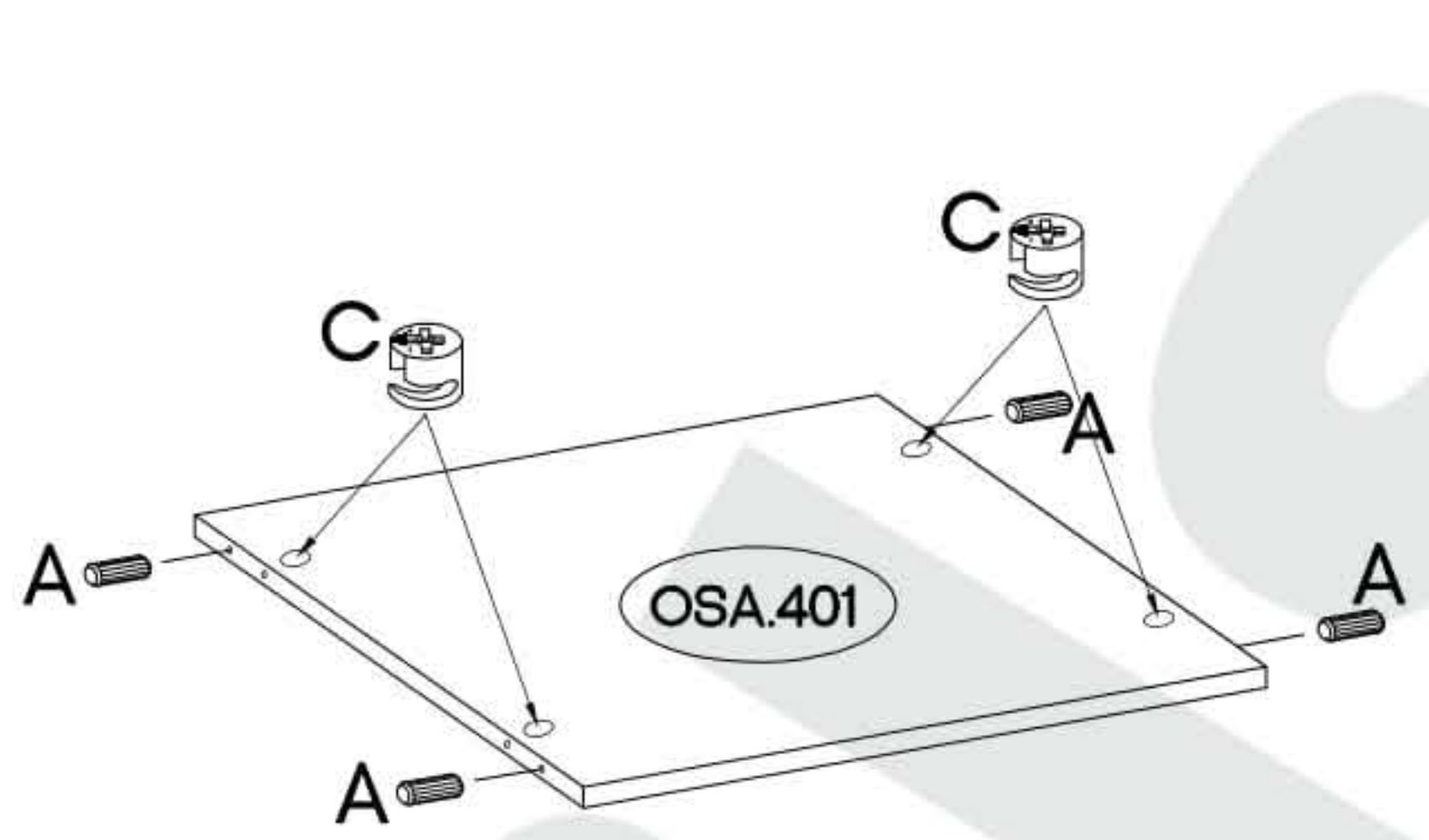
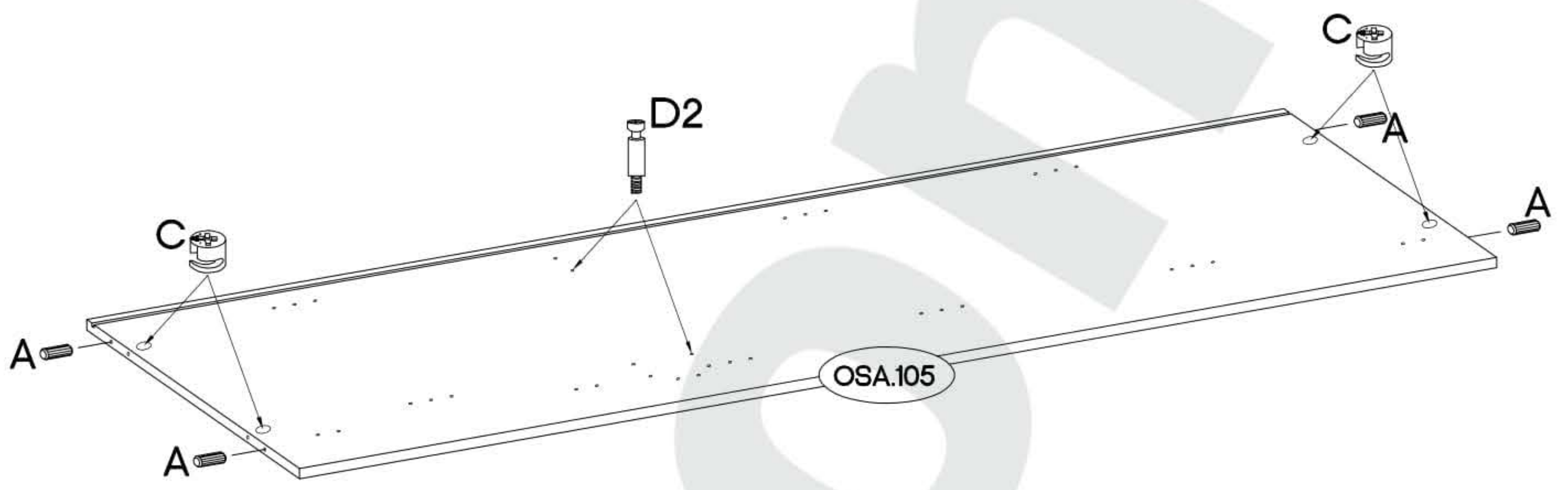
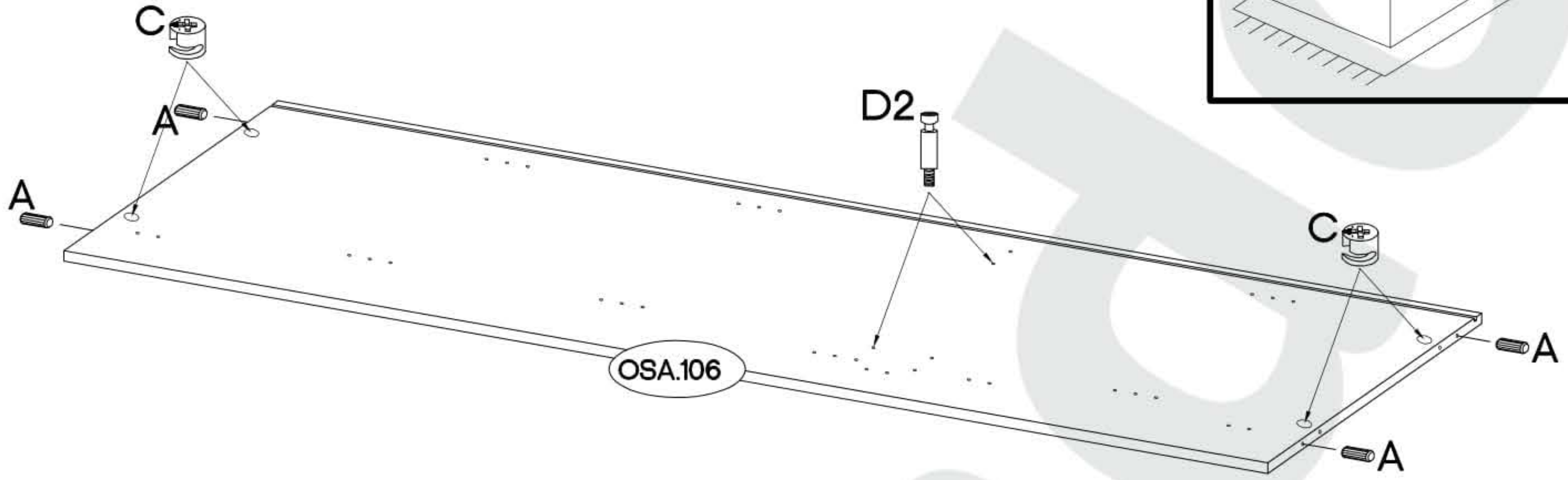
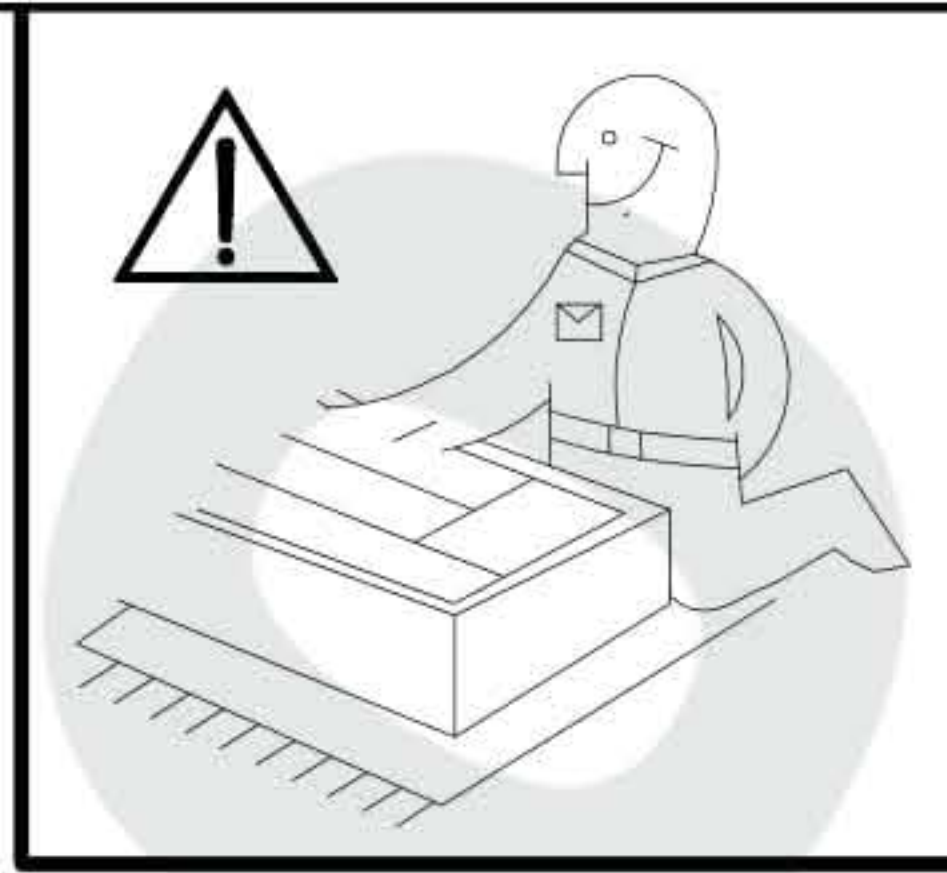
	Ersatzteil Nummer	Dimension
	OSA.207 x2	558x400x16
	OSA.401	524x358x16
	OSA.912	524x90x16
	OSA.913	524x75x16
	OSA.302	523x340x16
	OSA.801 x2	523x320x5
	OSA.105	1868x399x16
	OSA.106	1868x399x16
	OSA.611	1877x533x2,5
	OSA.802	960x517x4
	OSA.704 x2	150x520x16
	OSA.705	627x520x16



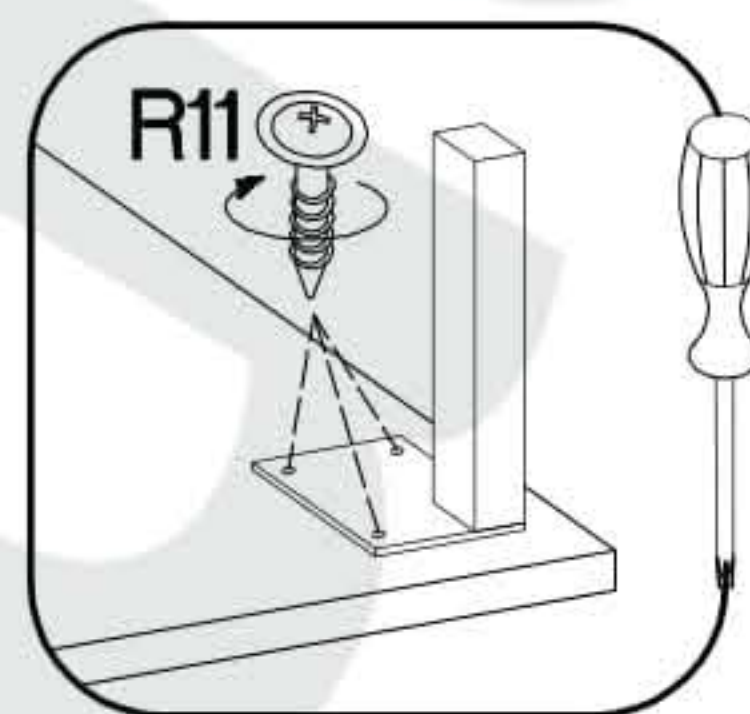
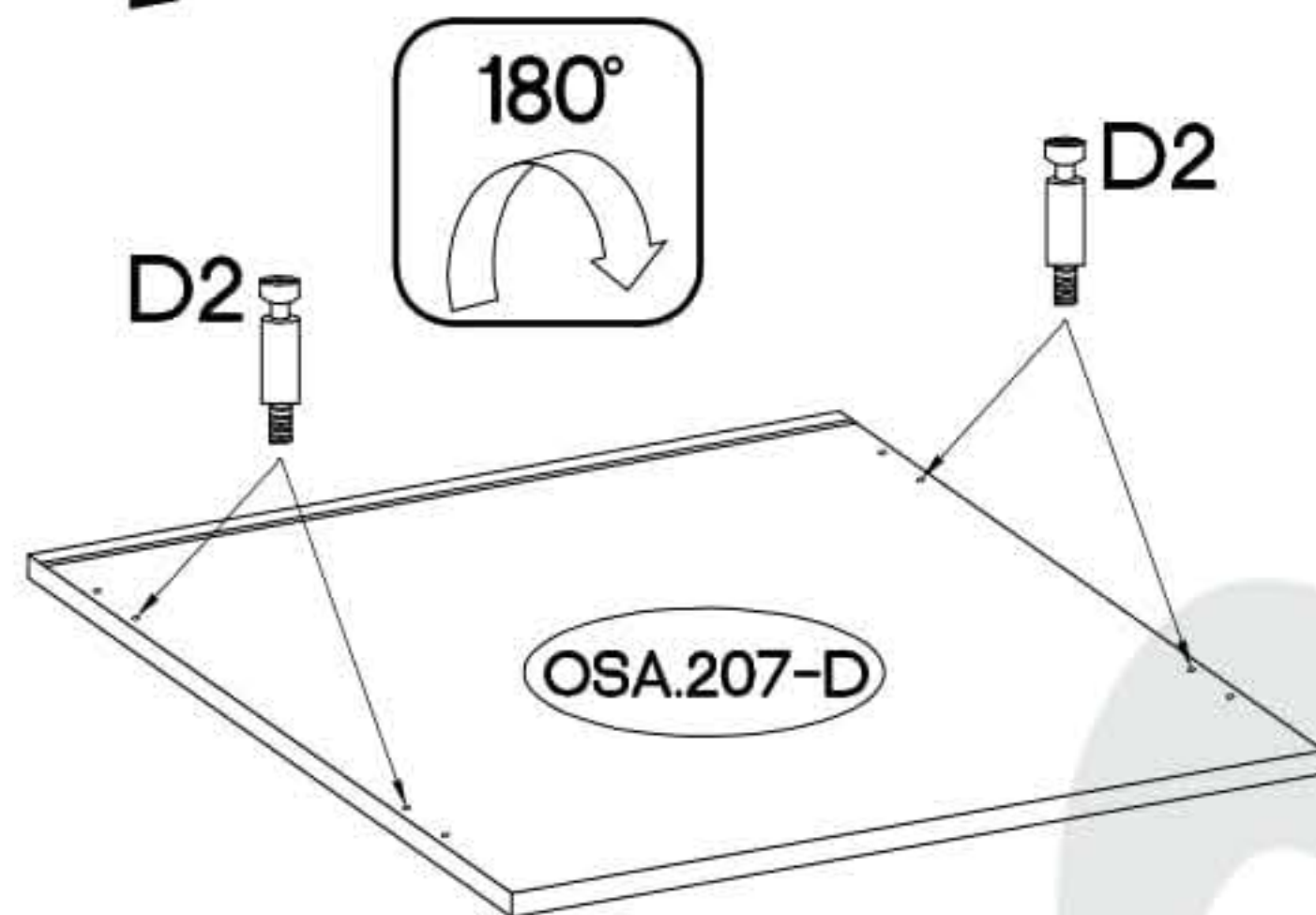
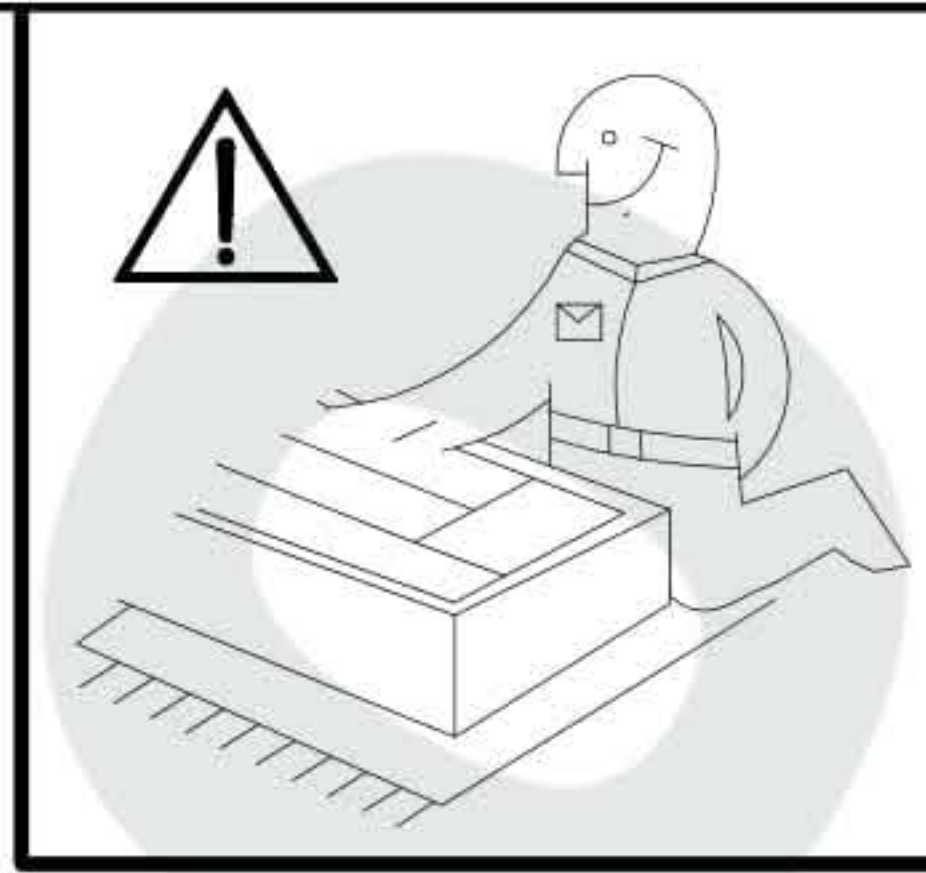
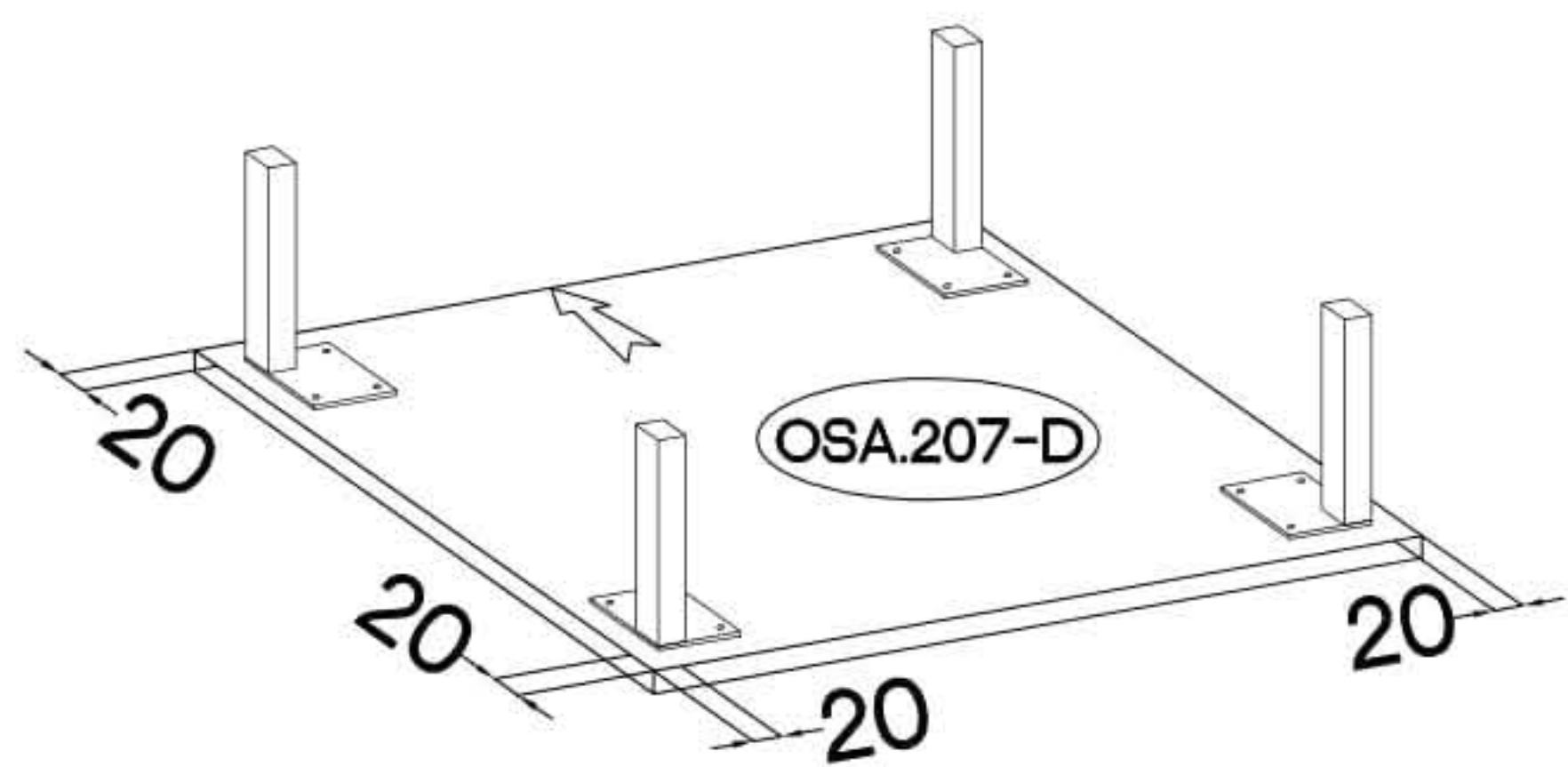
OSA.801

1

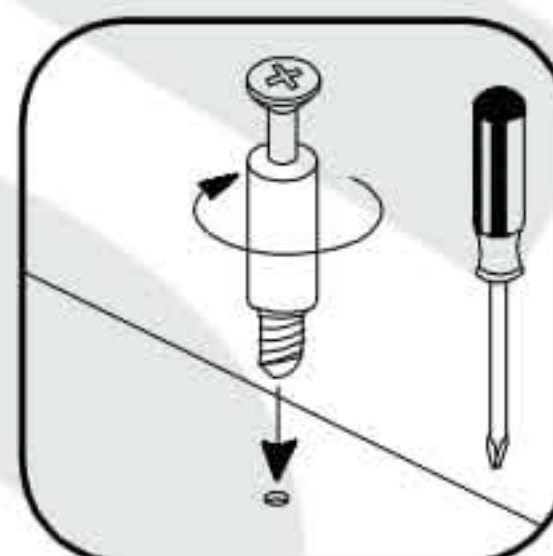
∅8x30mm 	∅15/12mm 	L=20mm 
A	C	D2
20	12	8



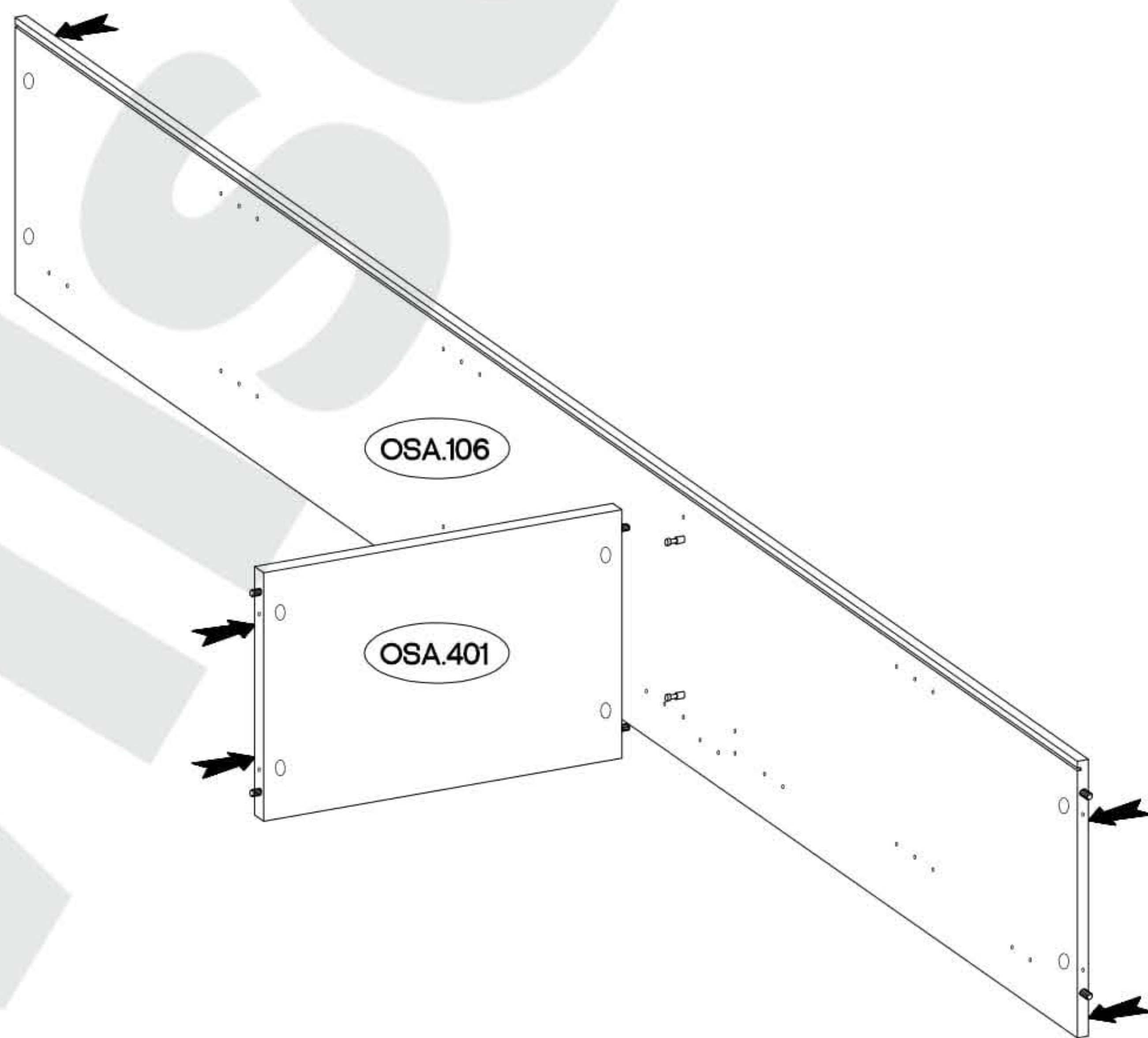
2



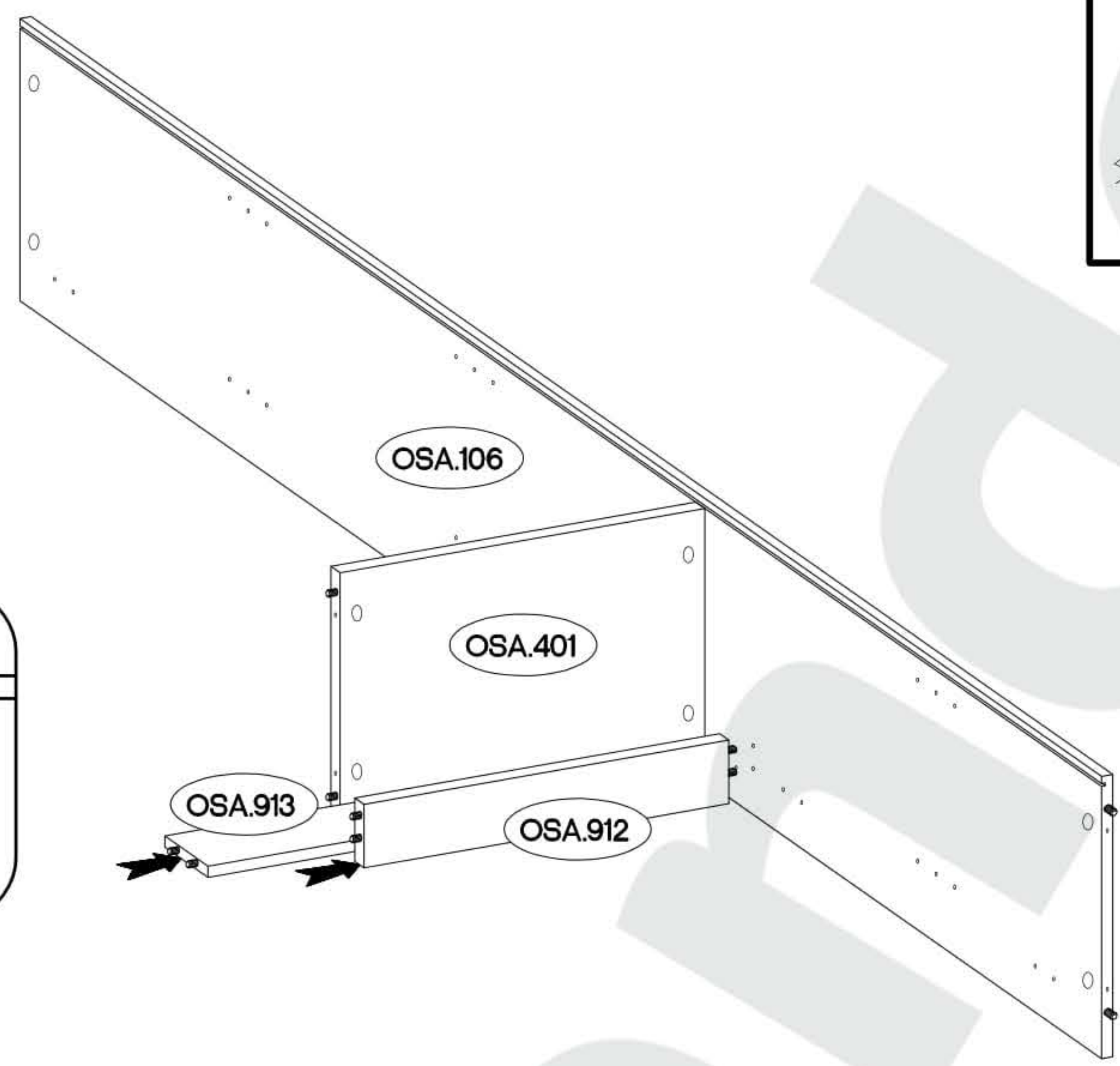
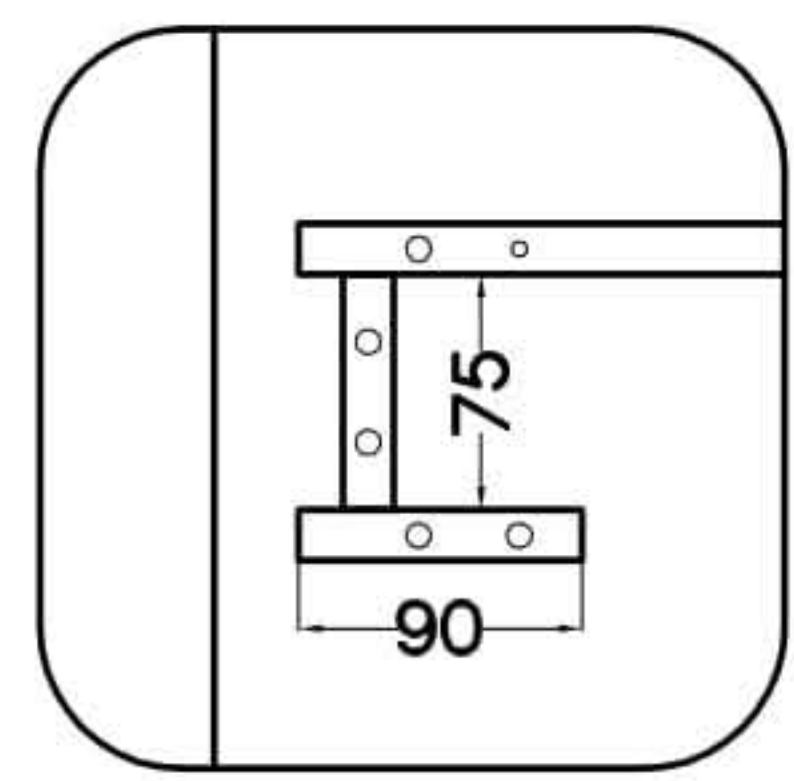
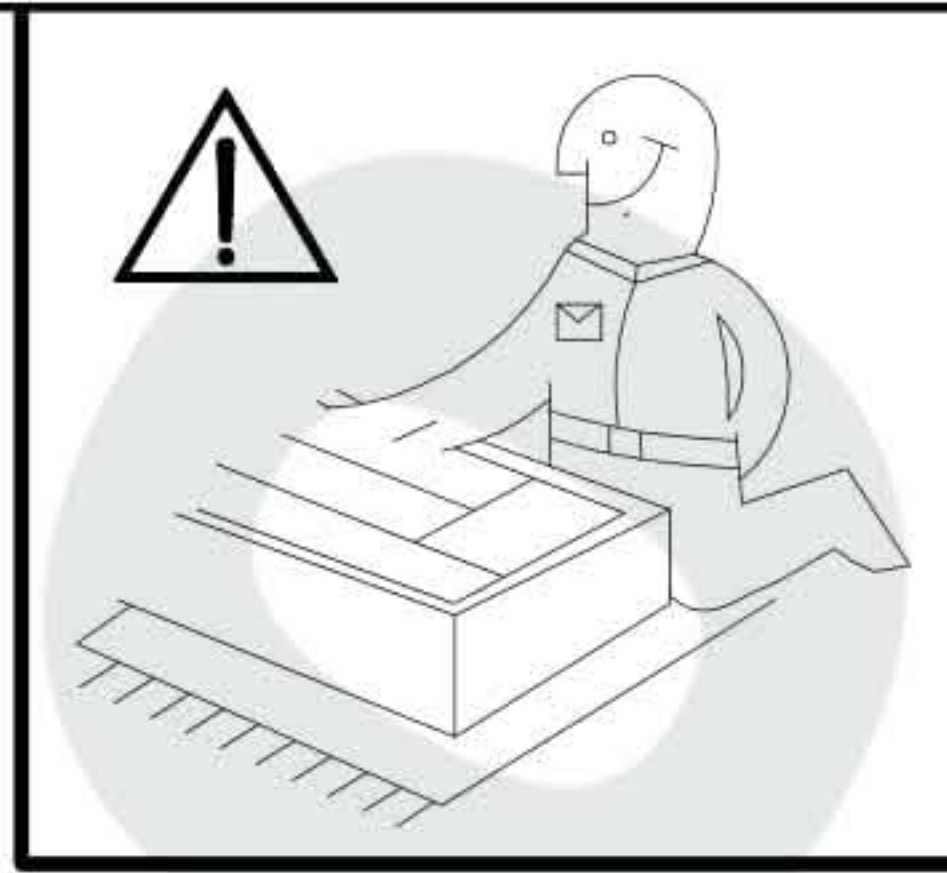
L=150mm F34 4	4.0x16mm R11 12	L=20mm D2 4
---------------------	-----------------------	-------------------



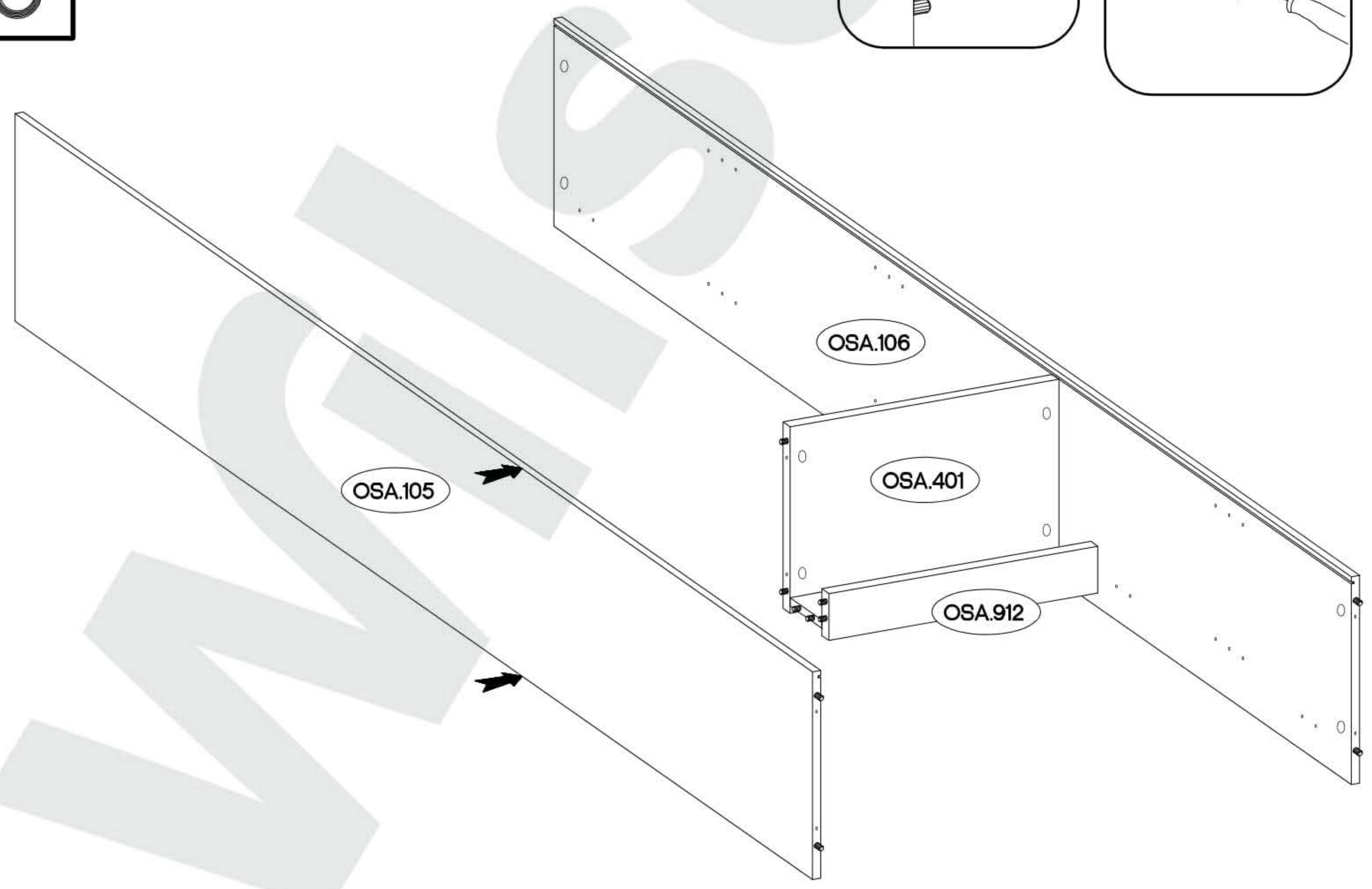
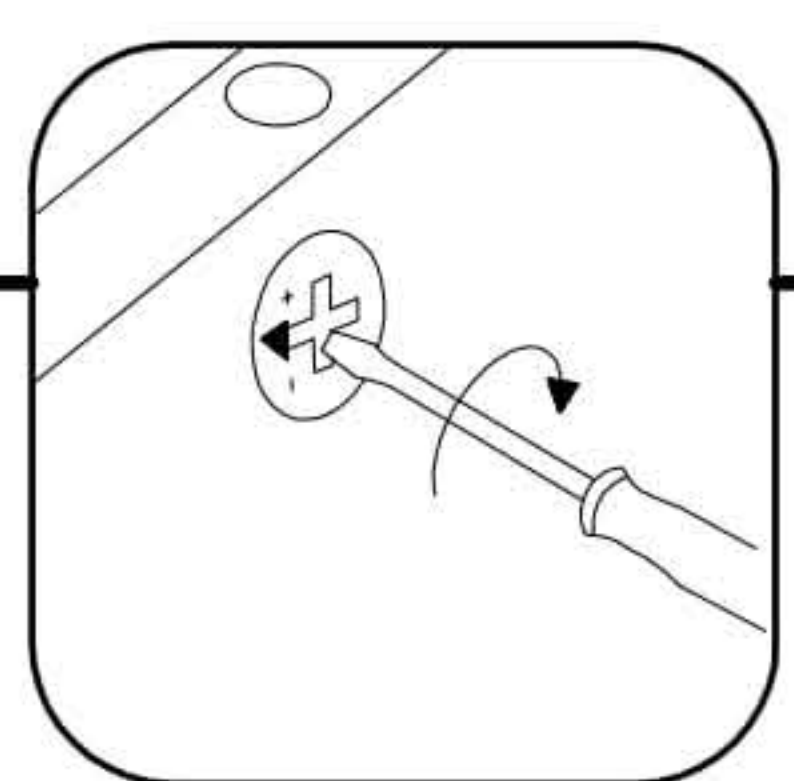
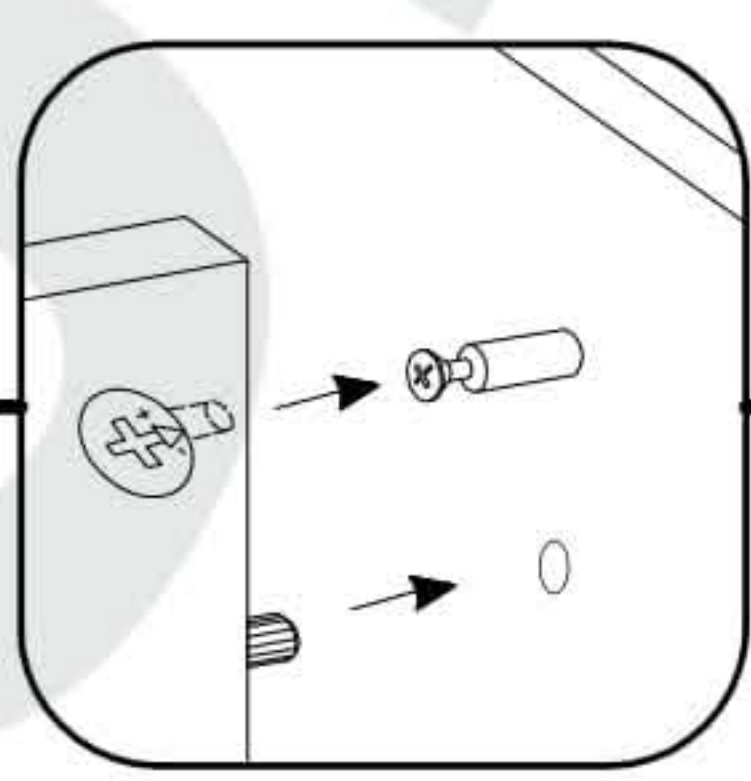
3



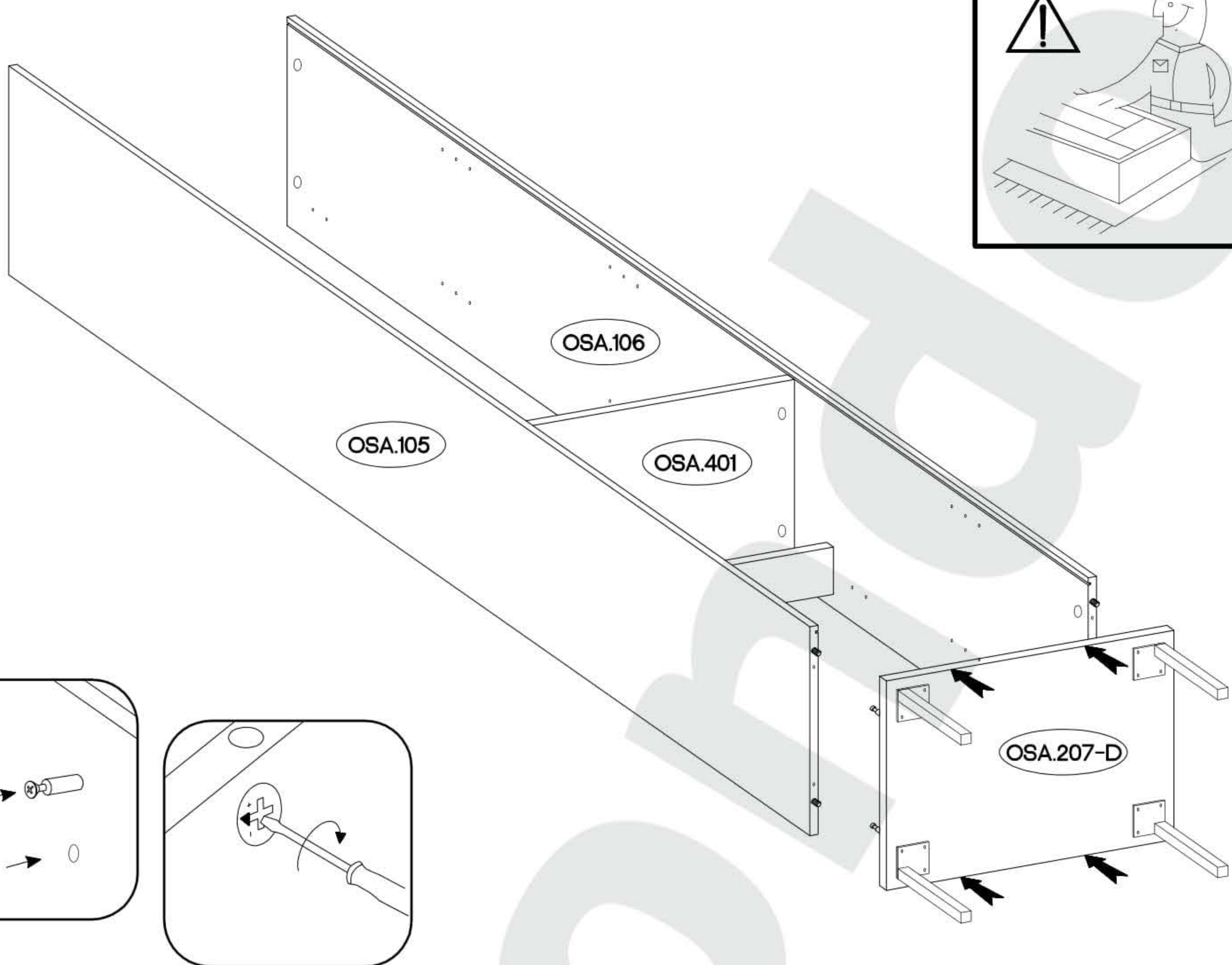
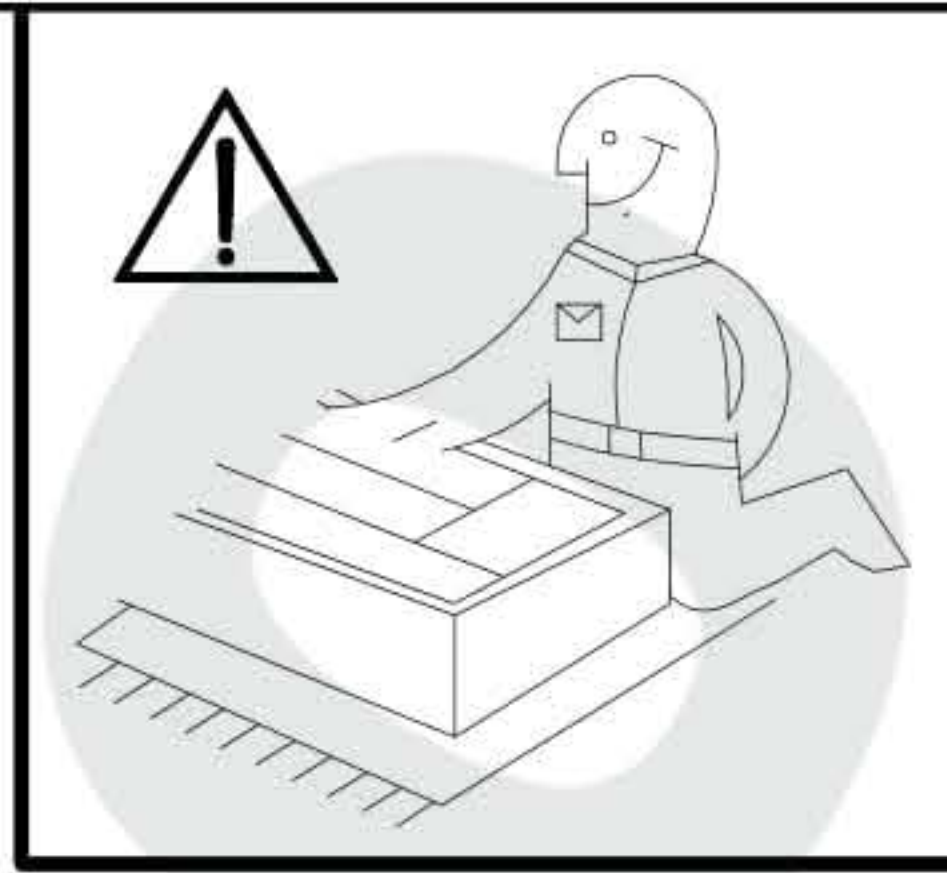
4



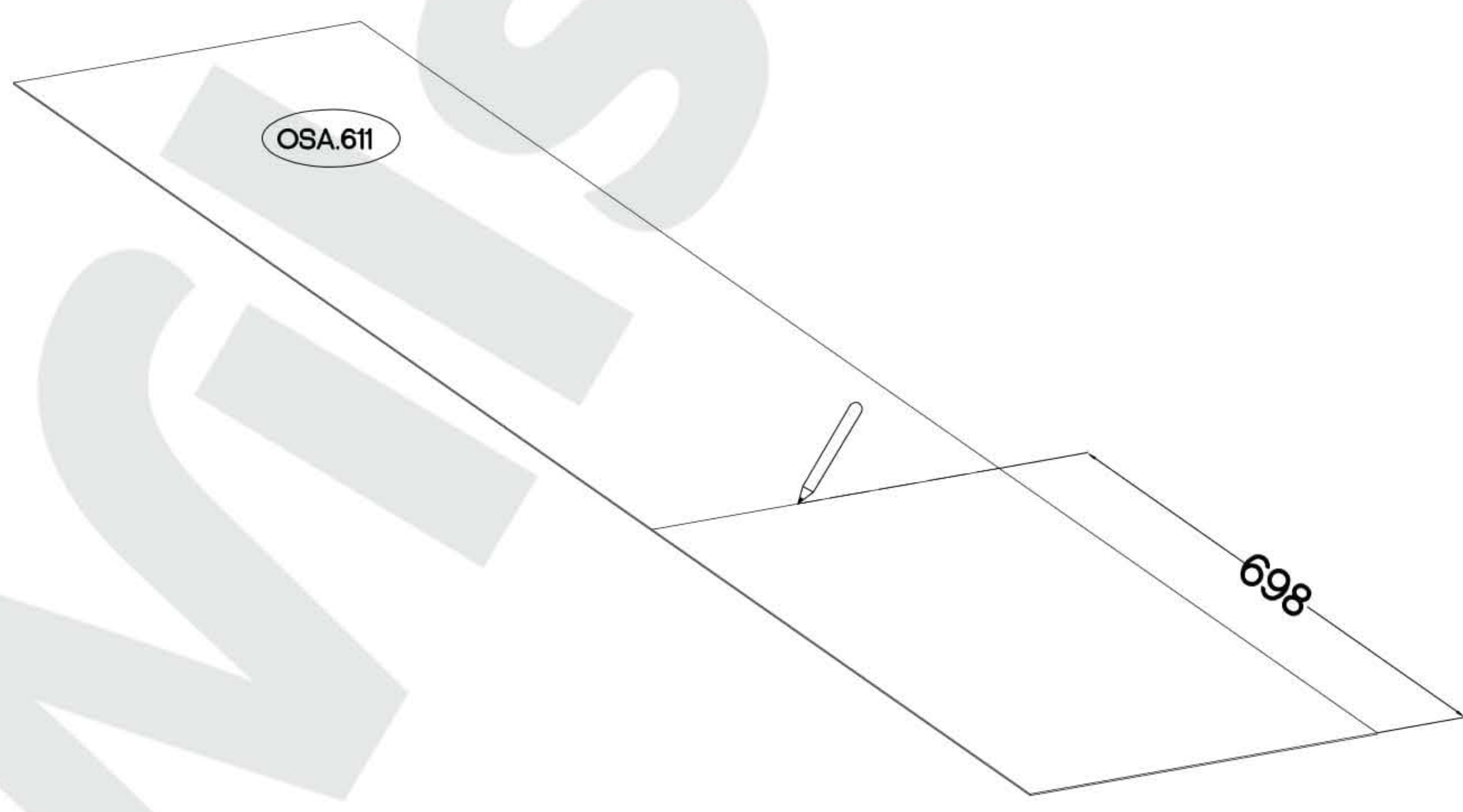
5


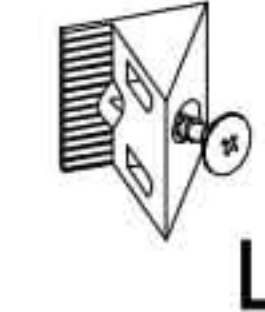


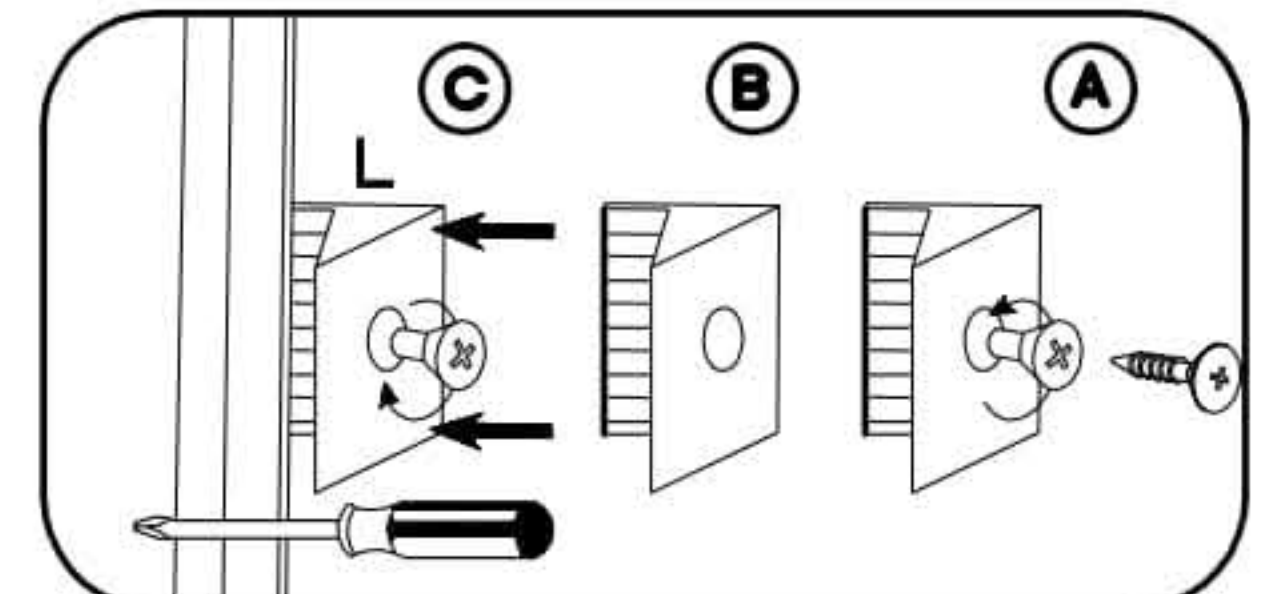
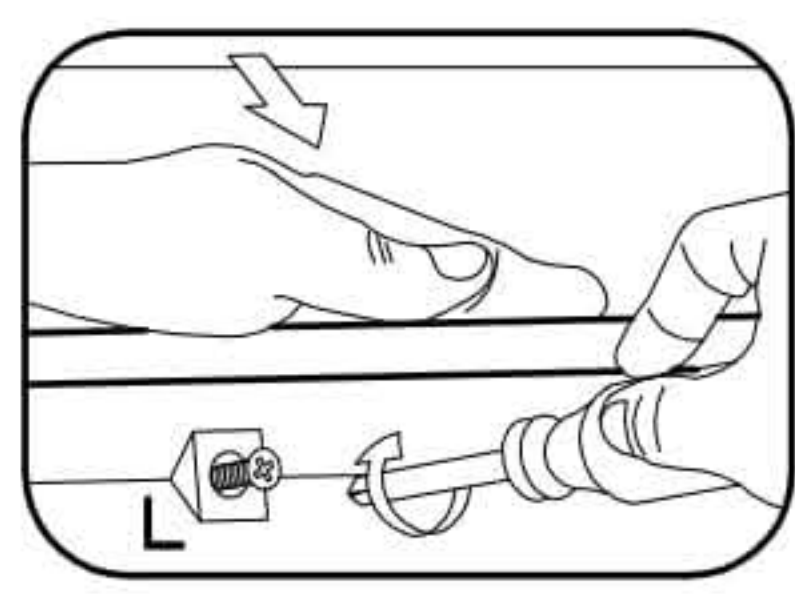
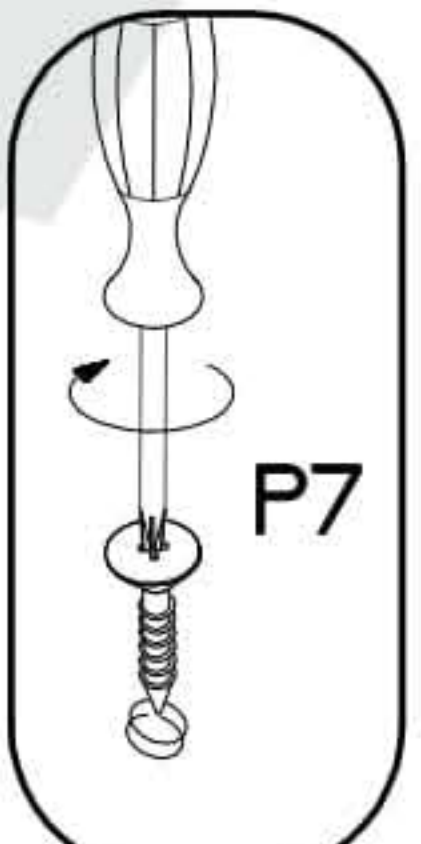
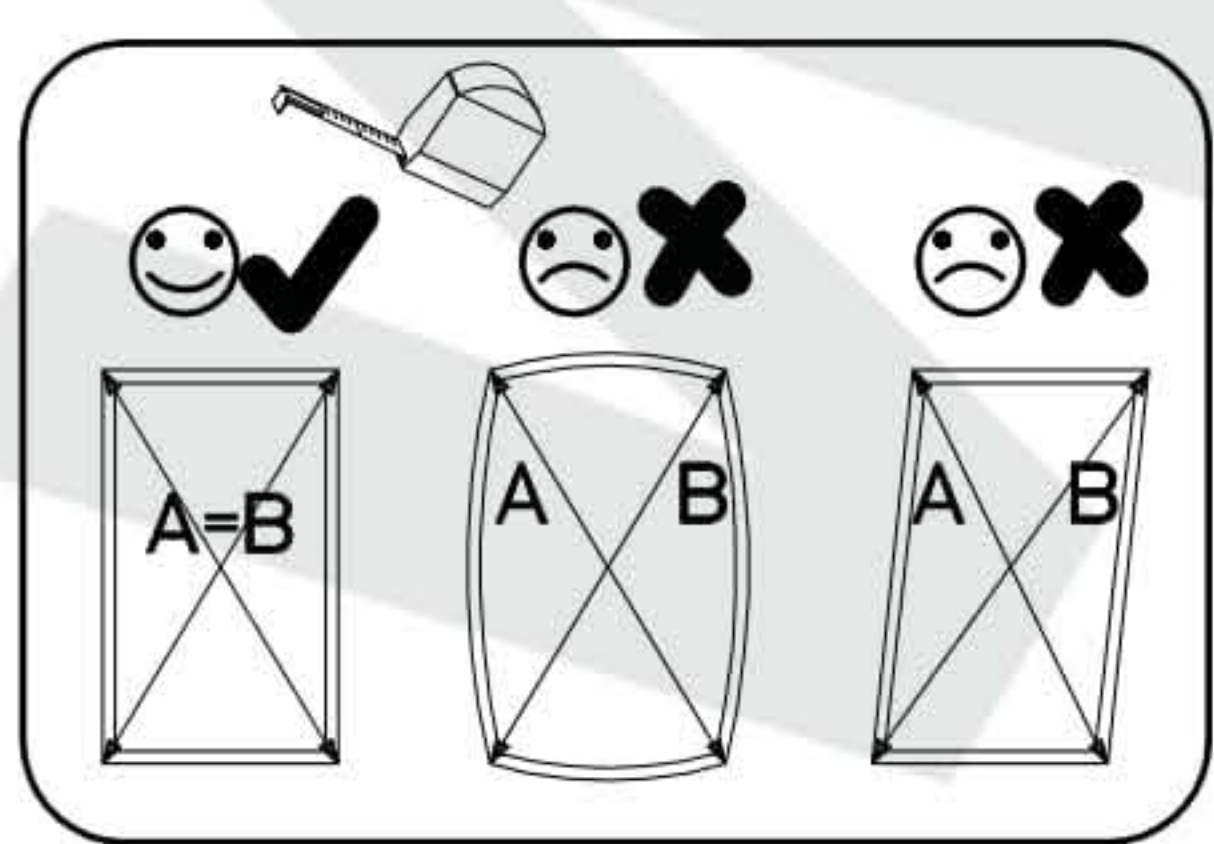
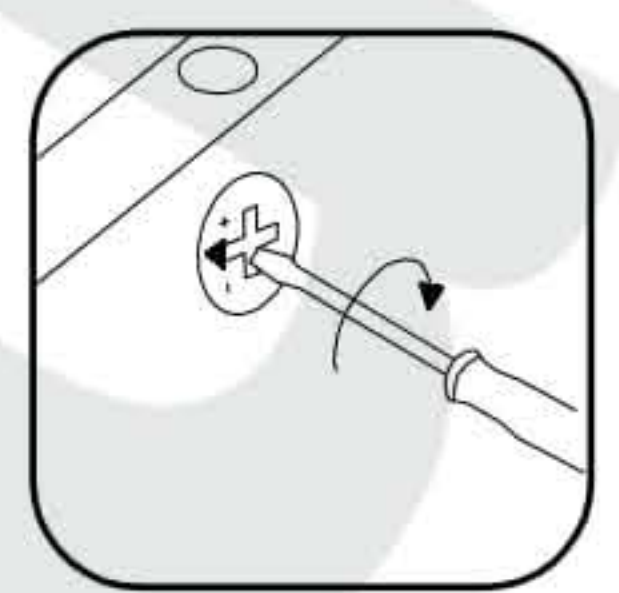
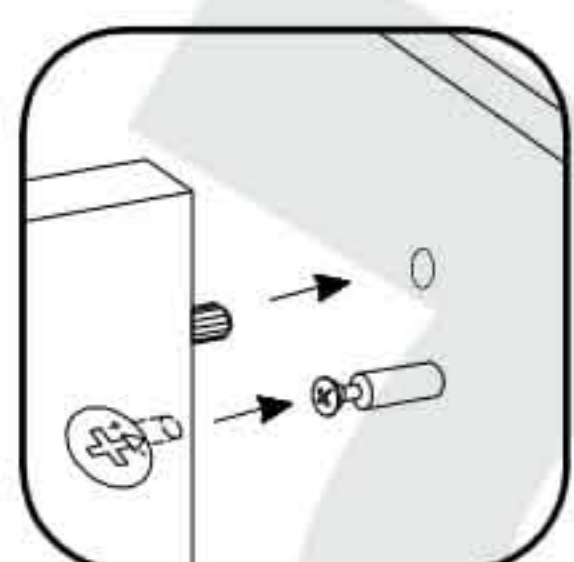
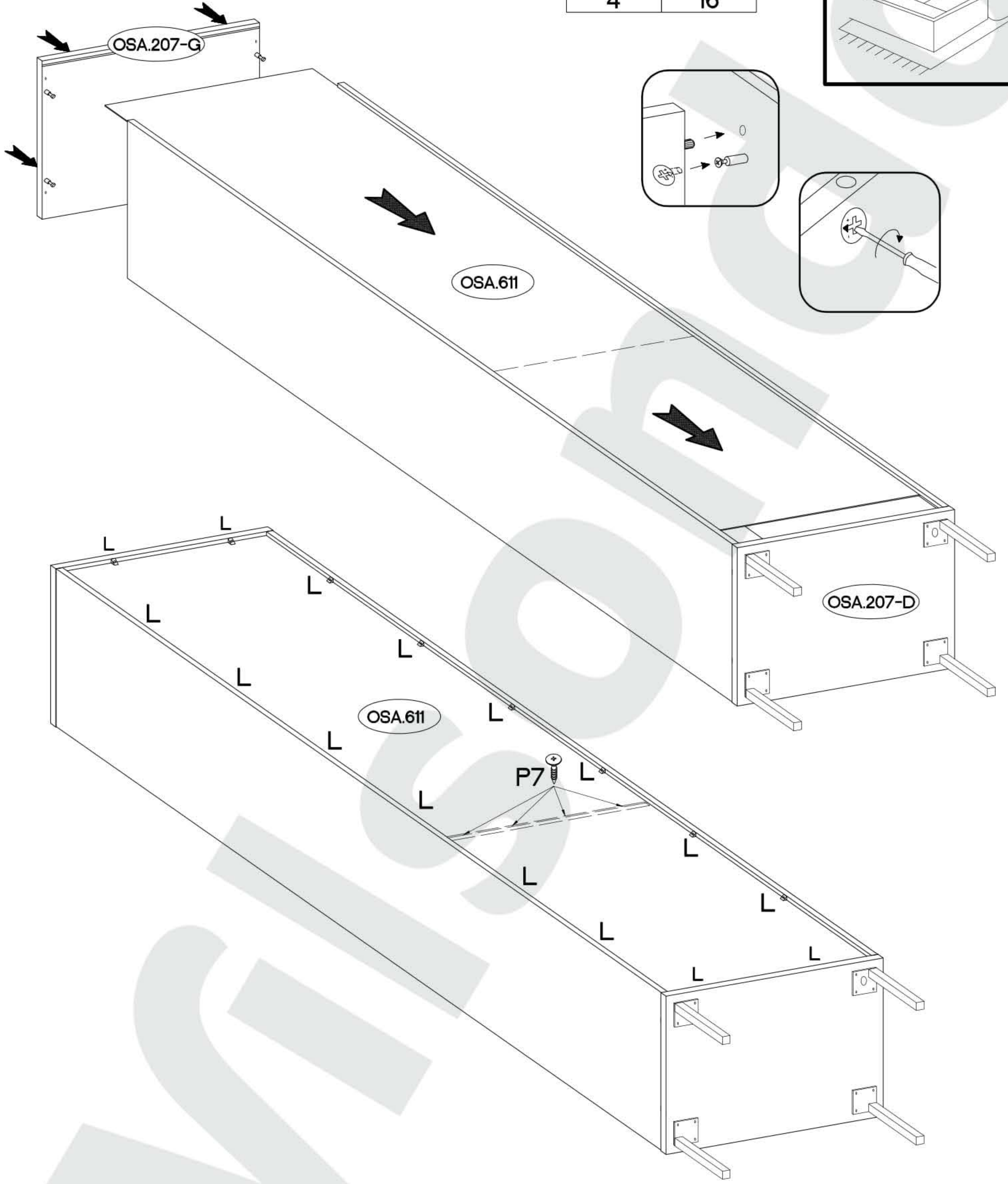
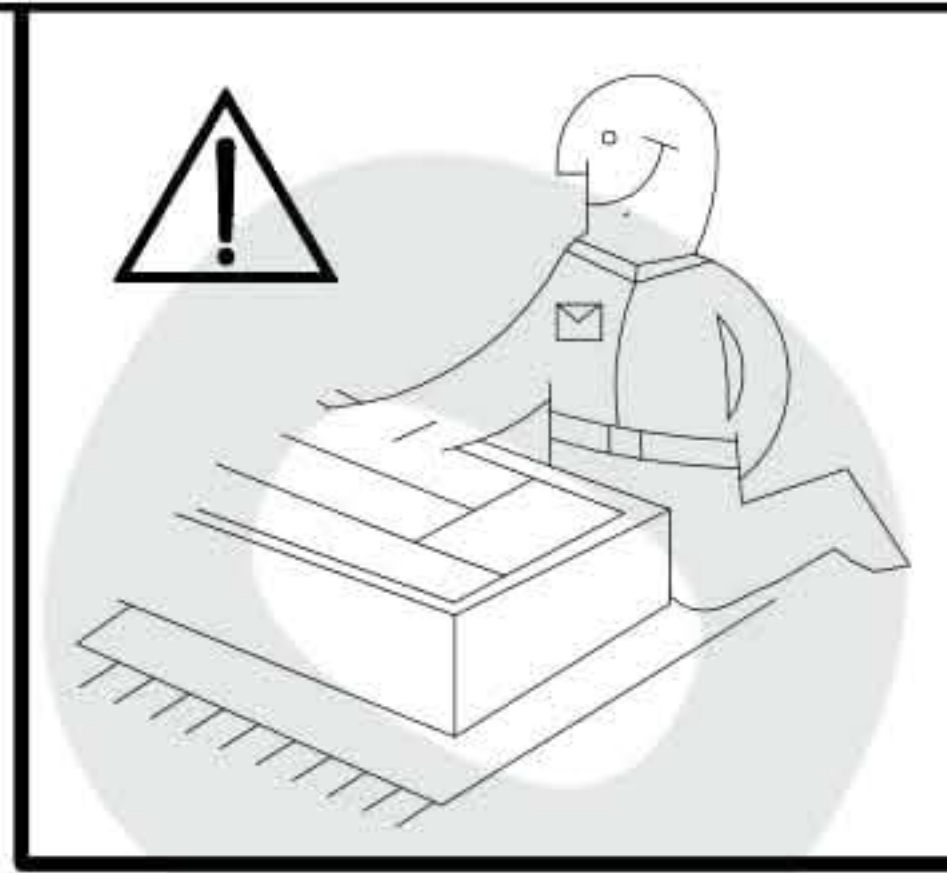
6







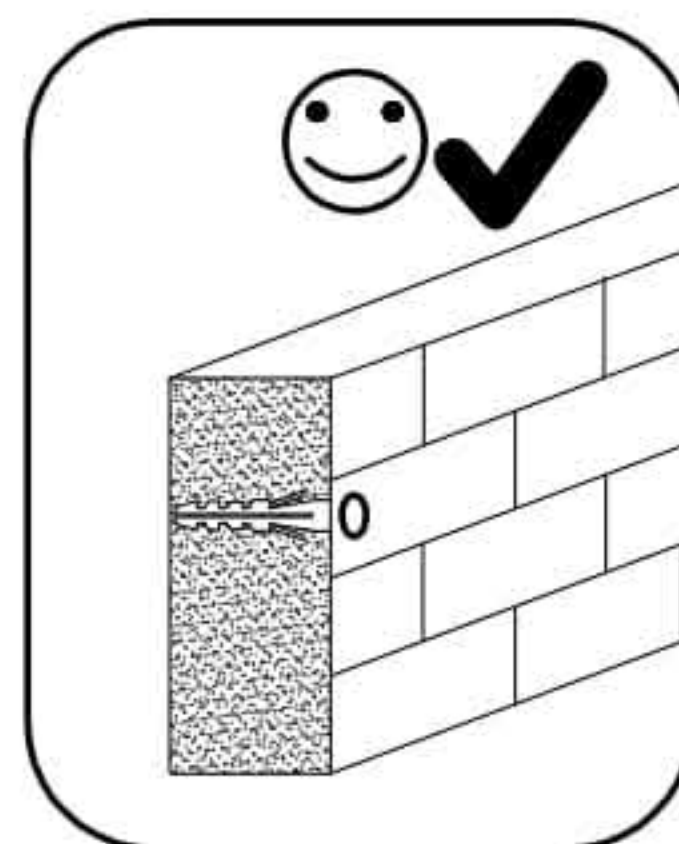
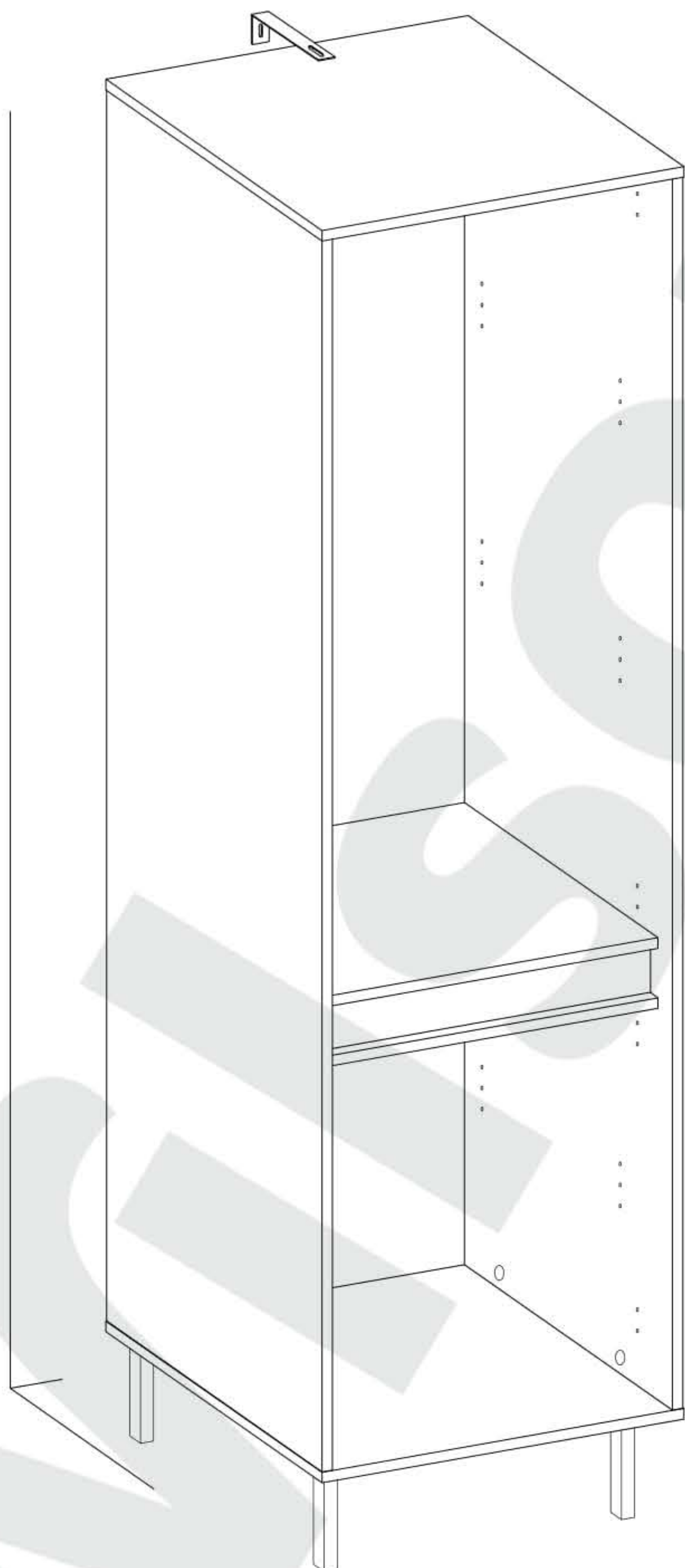
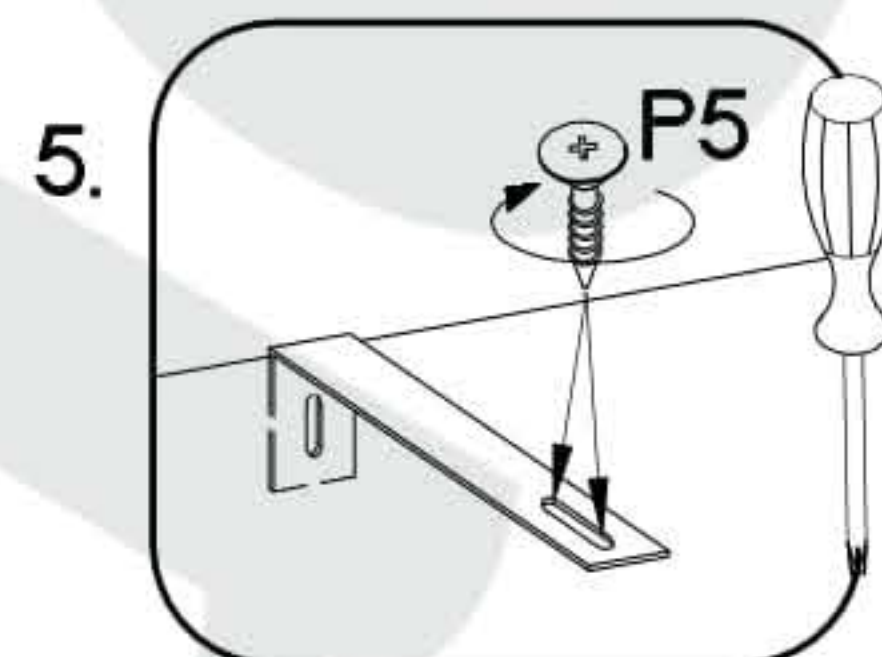
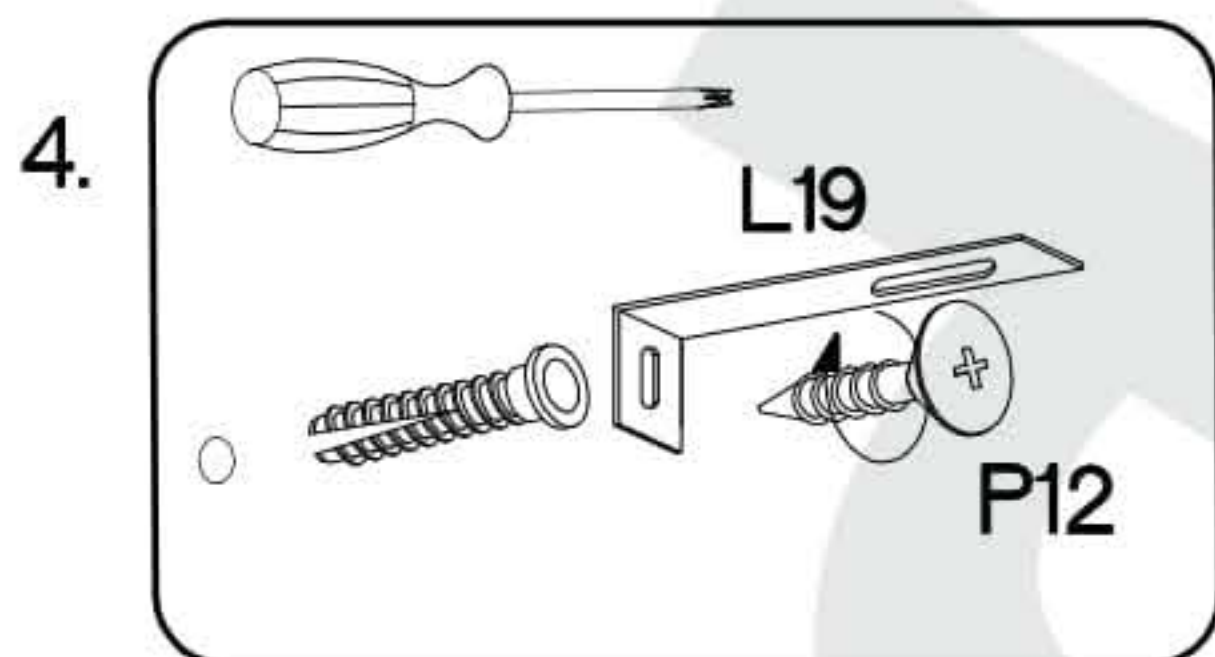
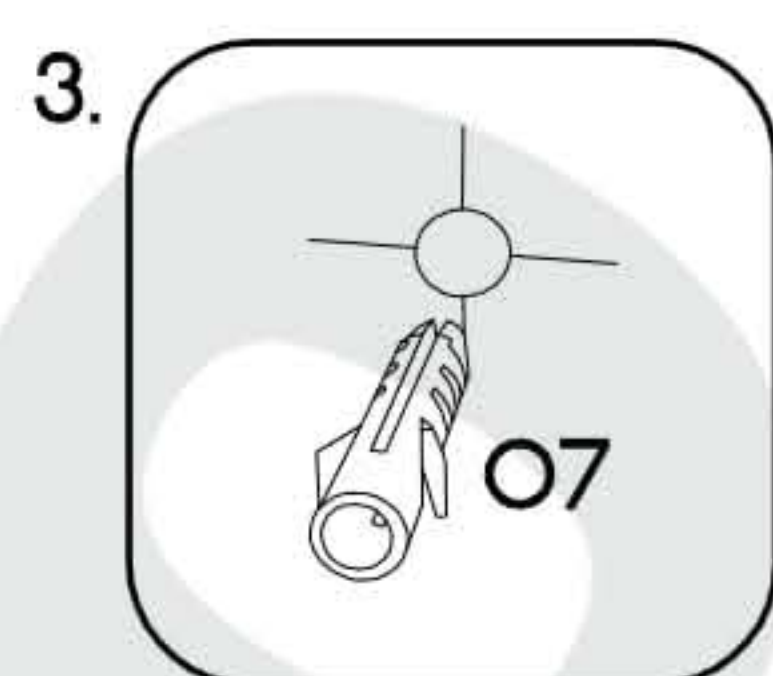
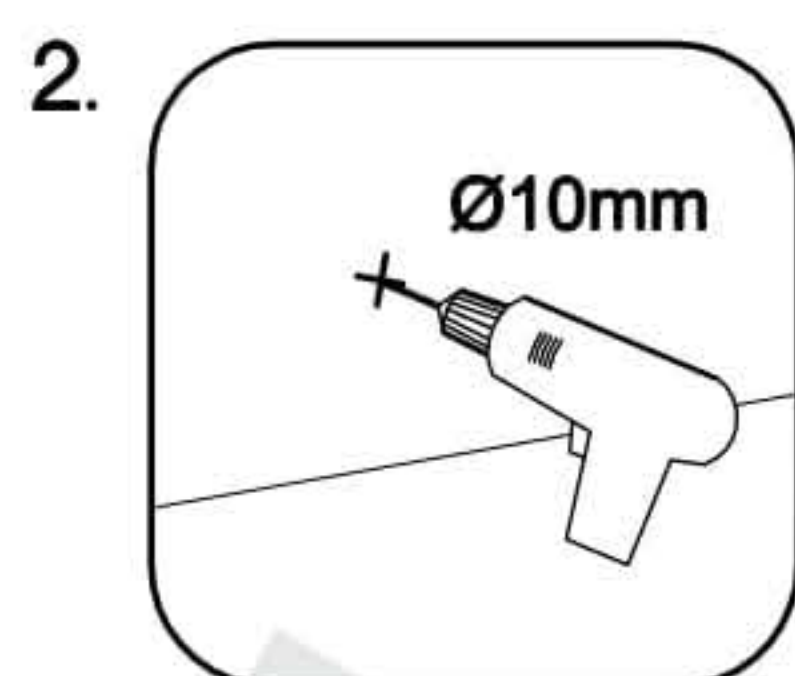
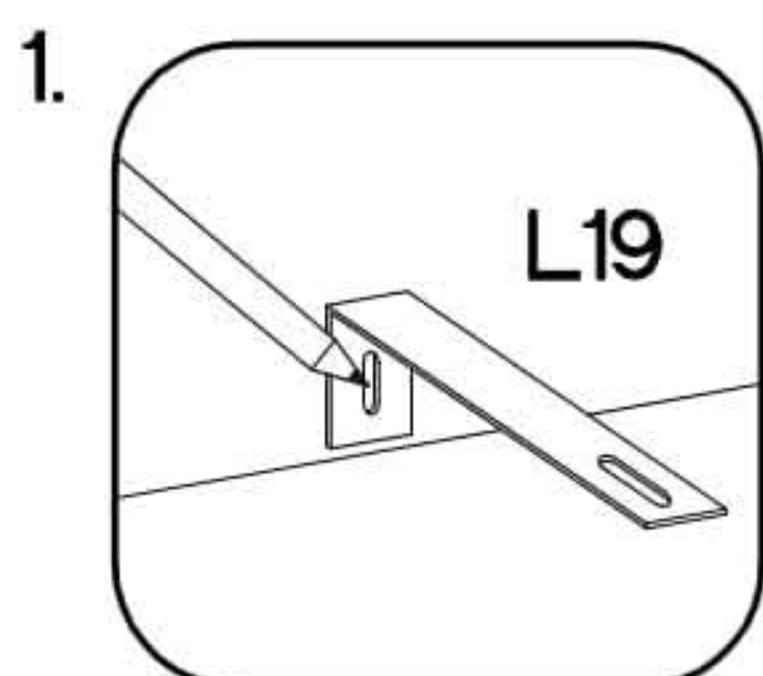
7



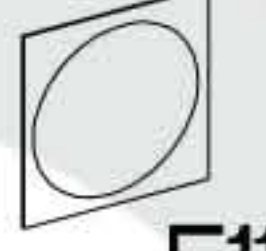


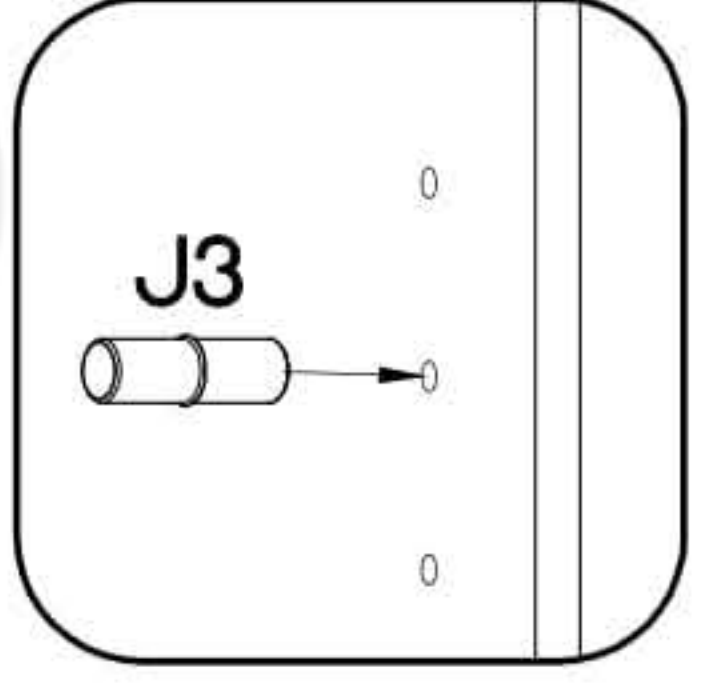
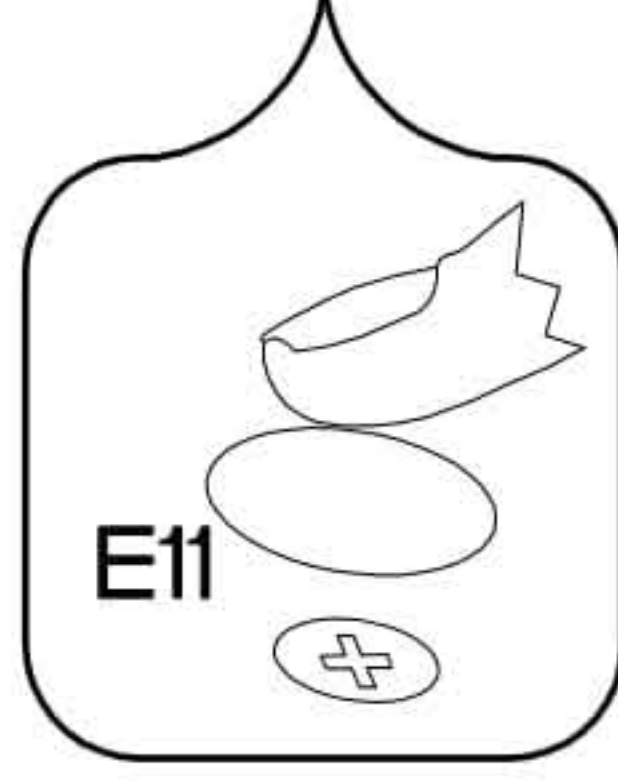
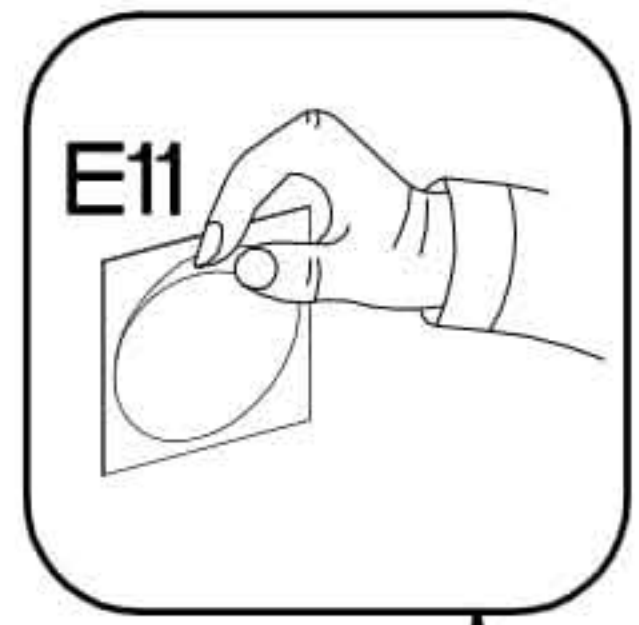
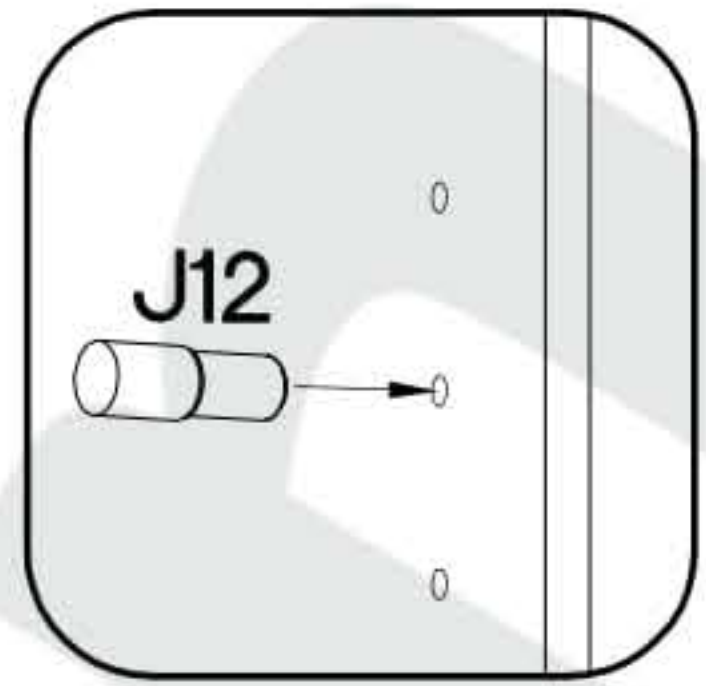
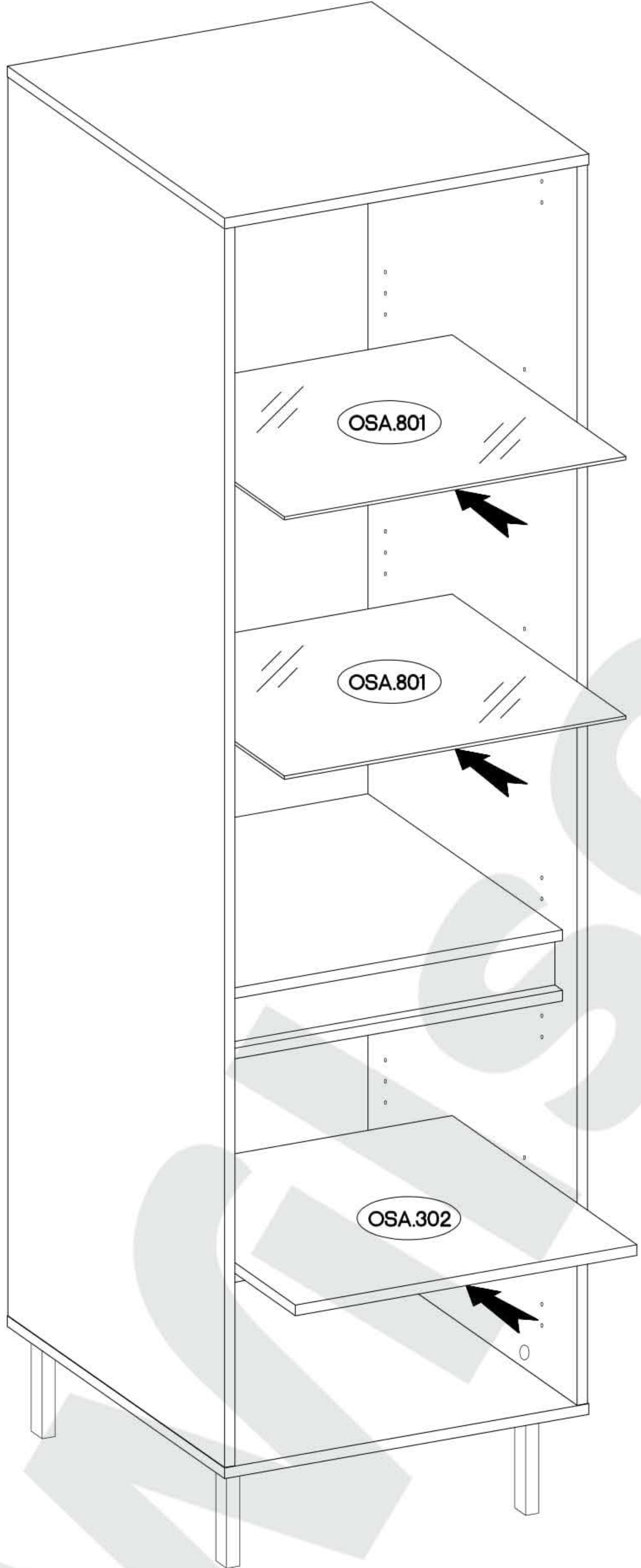
 P7 4	 L 16
--	---



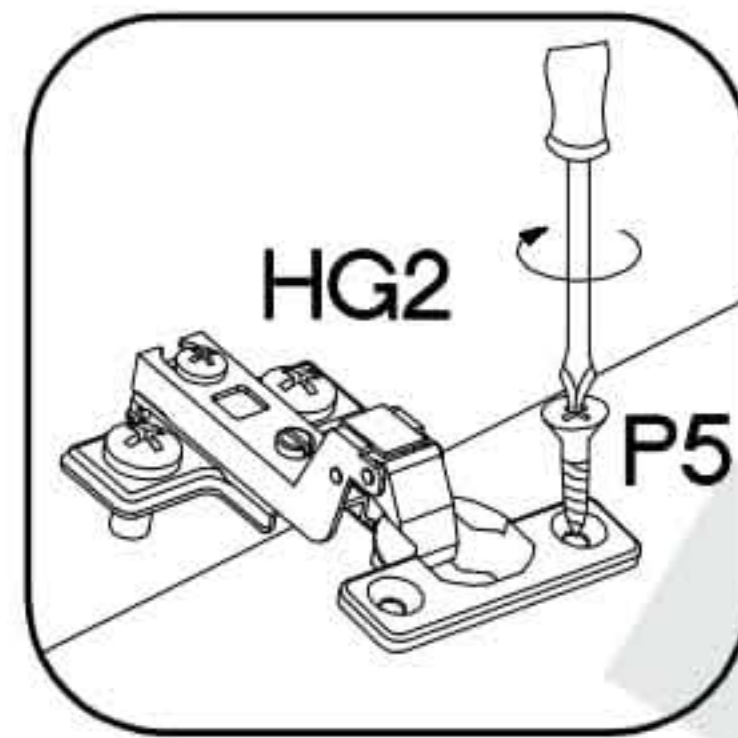
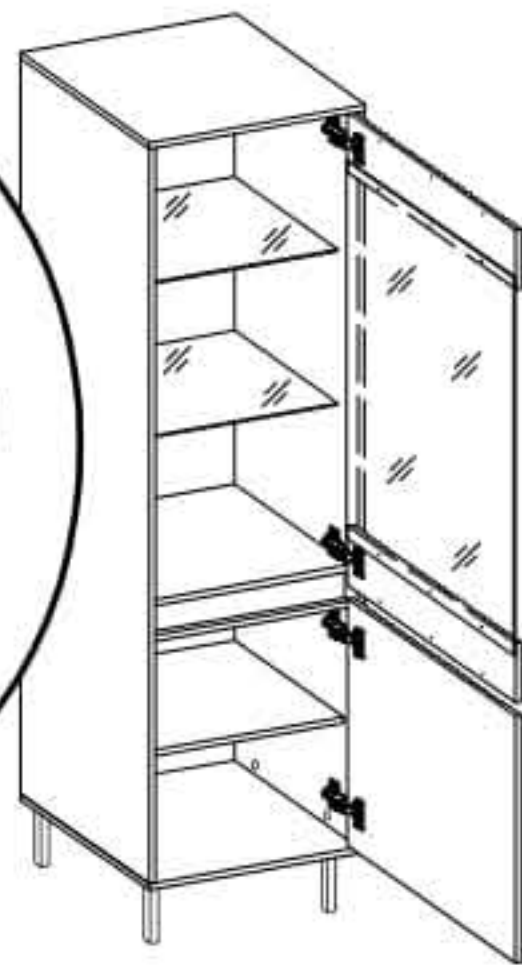
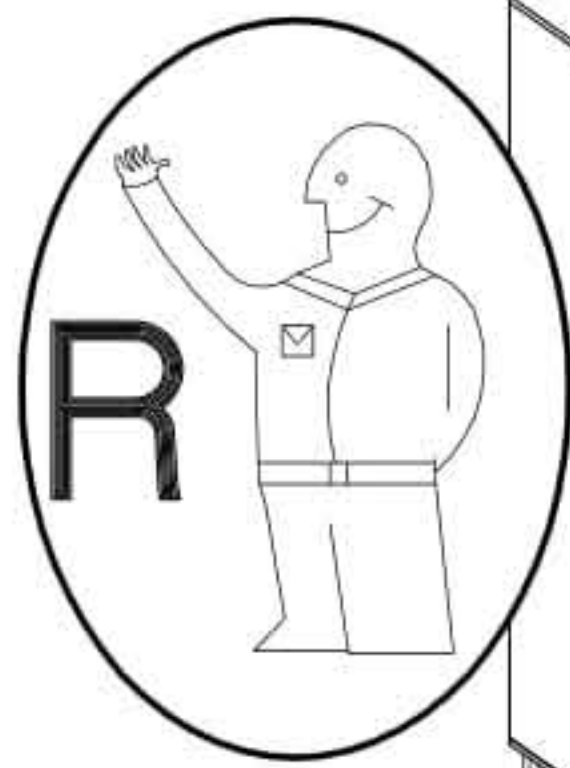
75x30x15mm	3.5x13mm	5.0x60mm	10x50mm
			
L19	P5	P12	O7
1	2	1	1



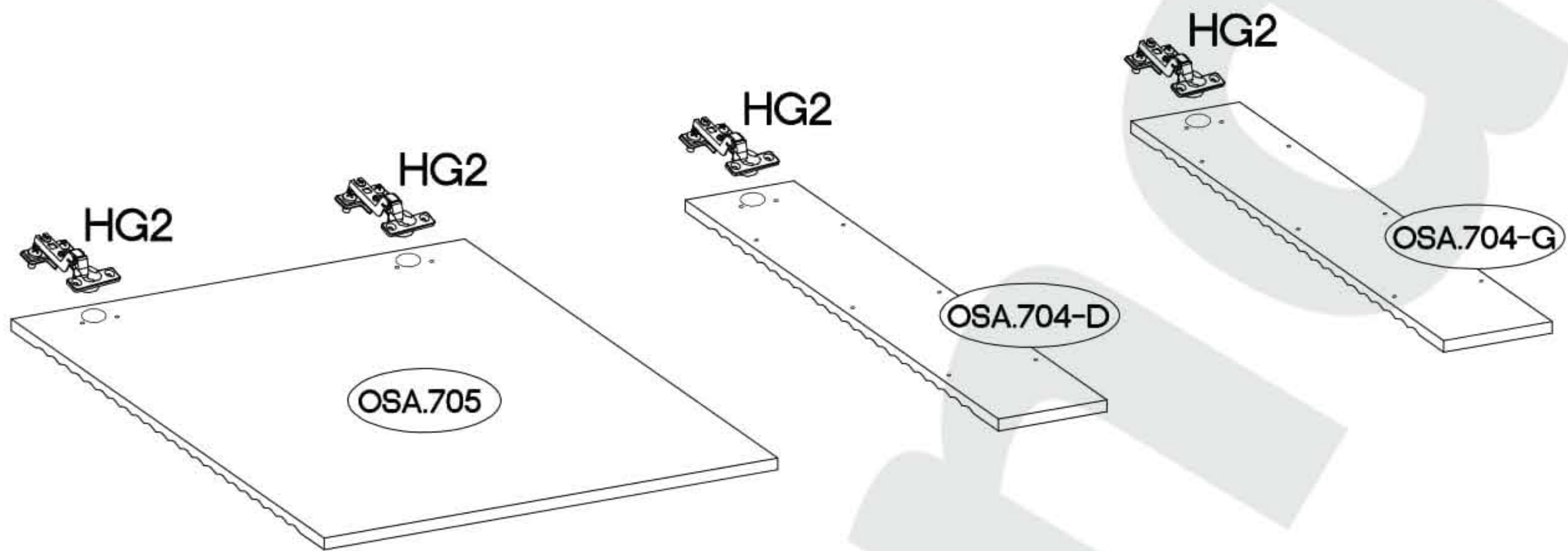
$\pm 5/16\text{mm}$  J3 4	 J12 8	± 20  E11 10
---	---	--



11

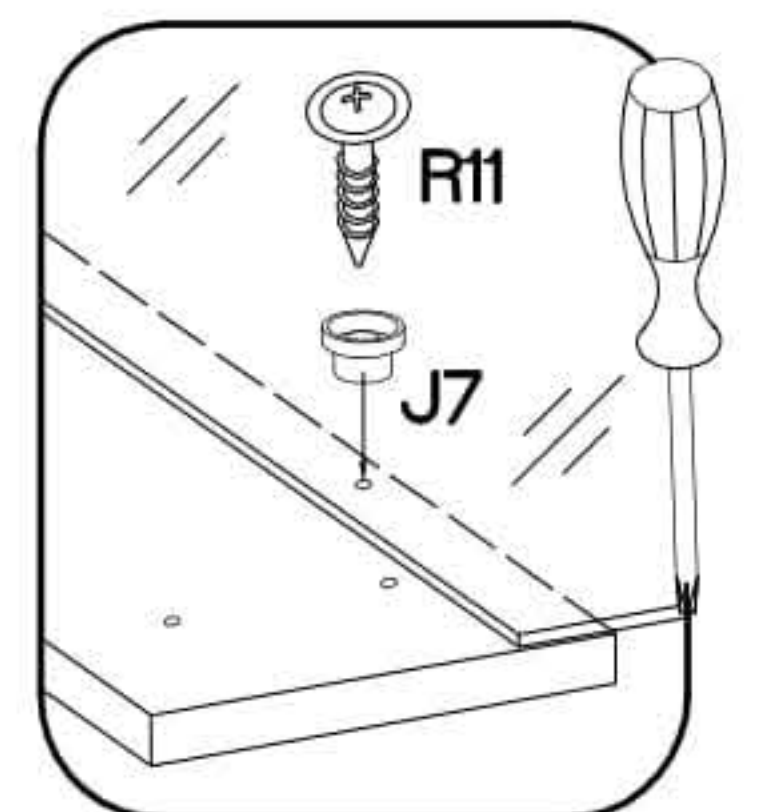
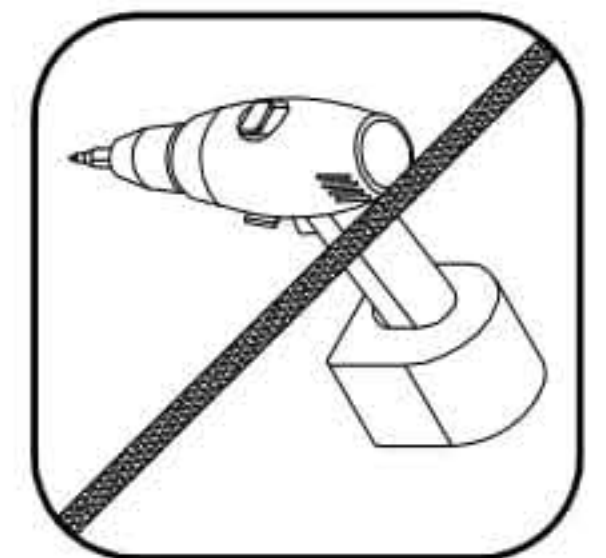
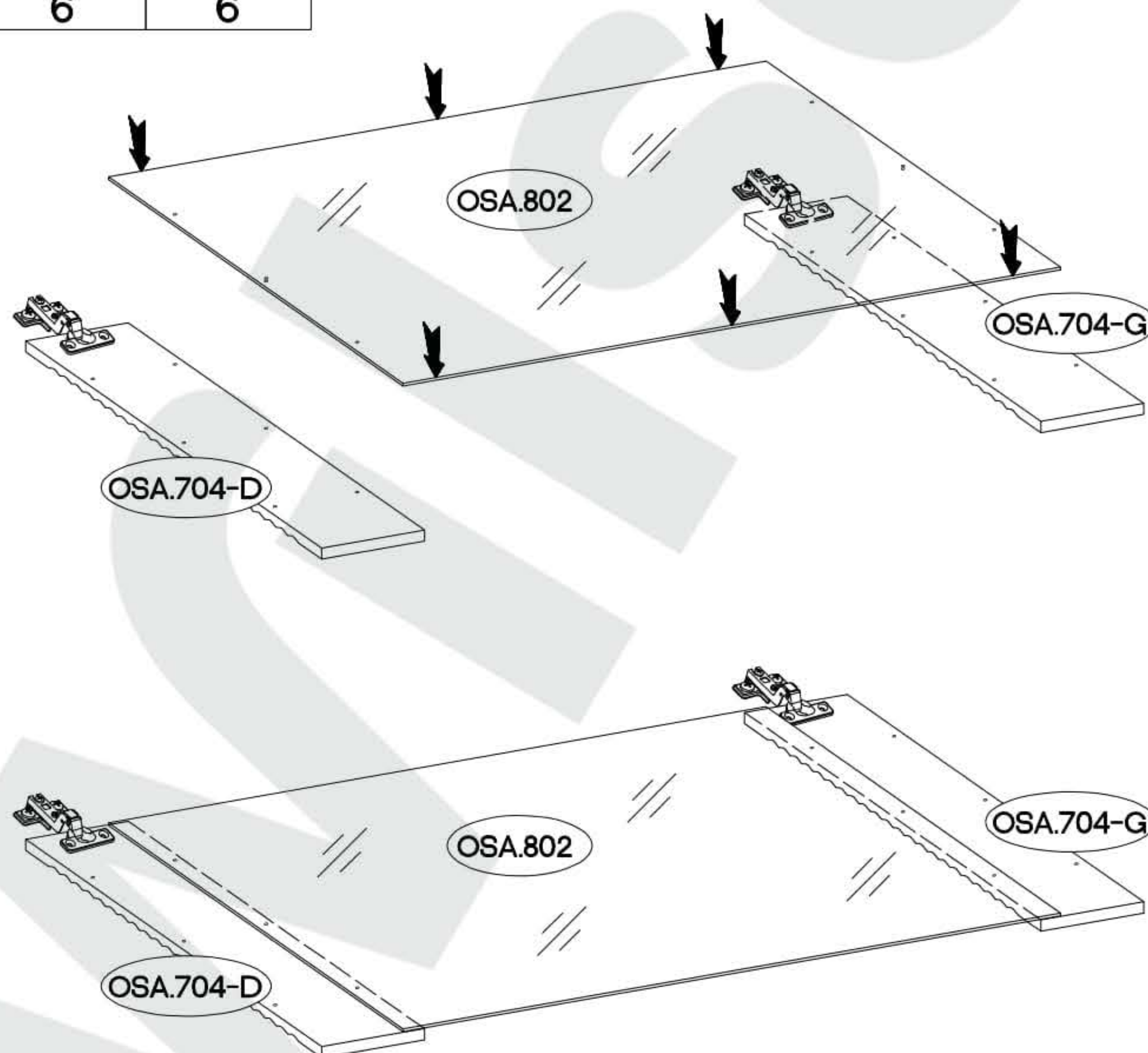


$\pm 35/16\text{mm}$	$\pm 3.5 \times 13\text{mm}$
HG2	P5
4	8

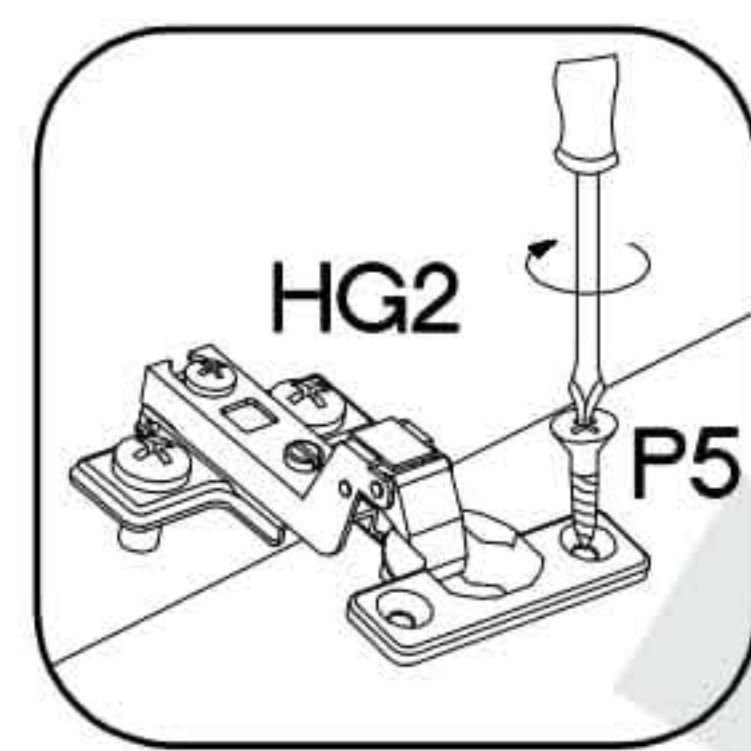
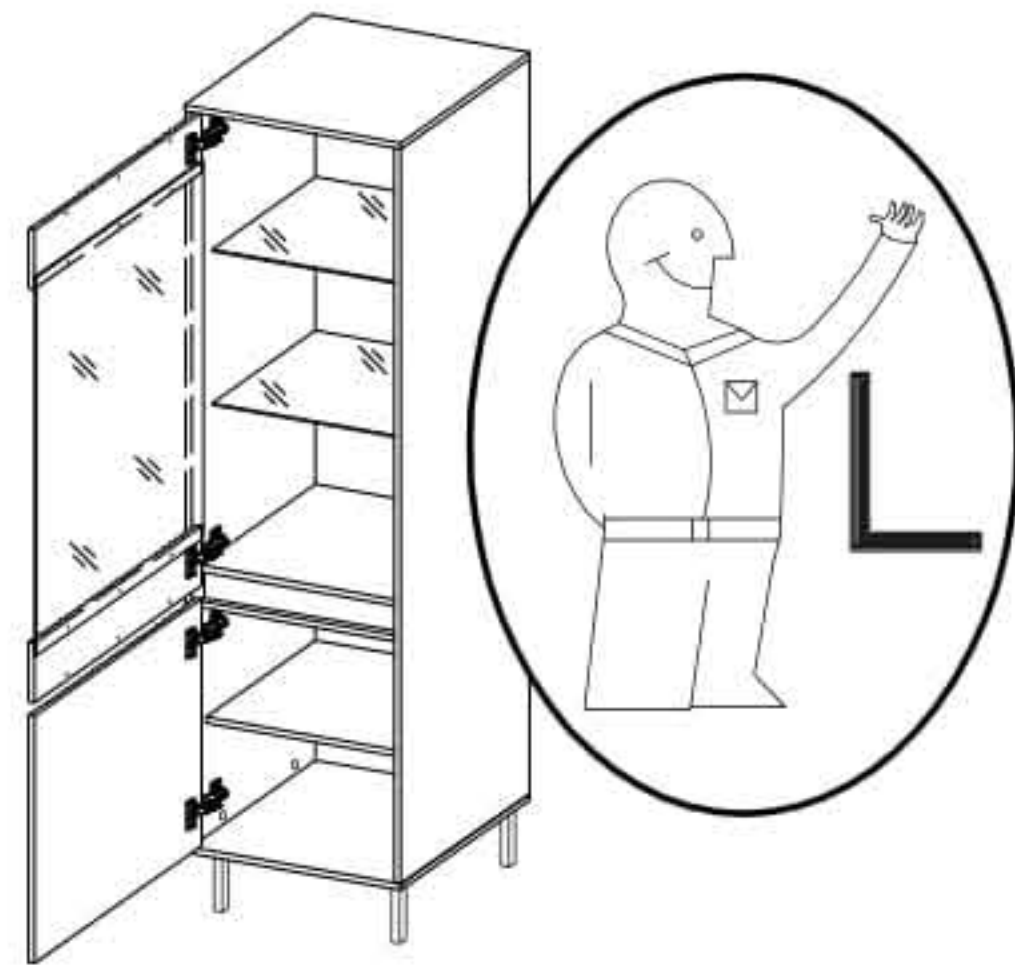


12

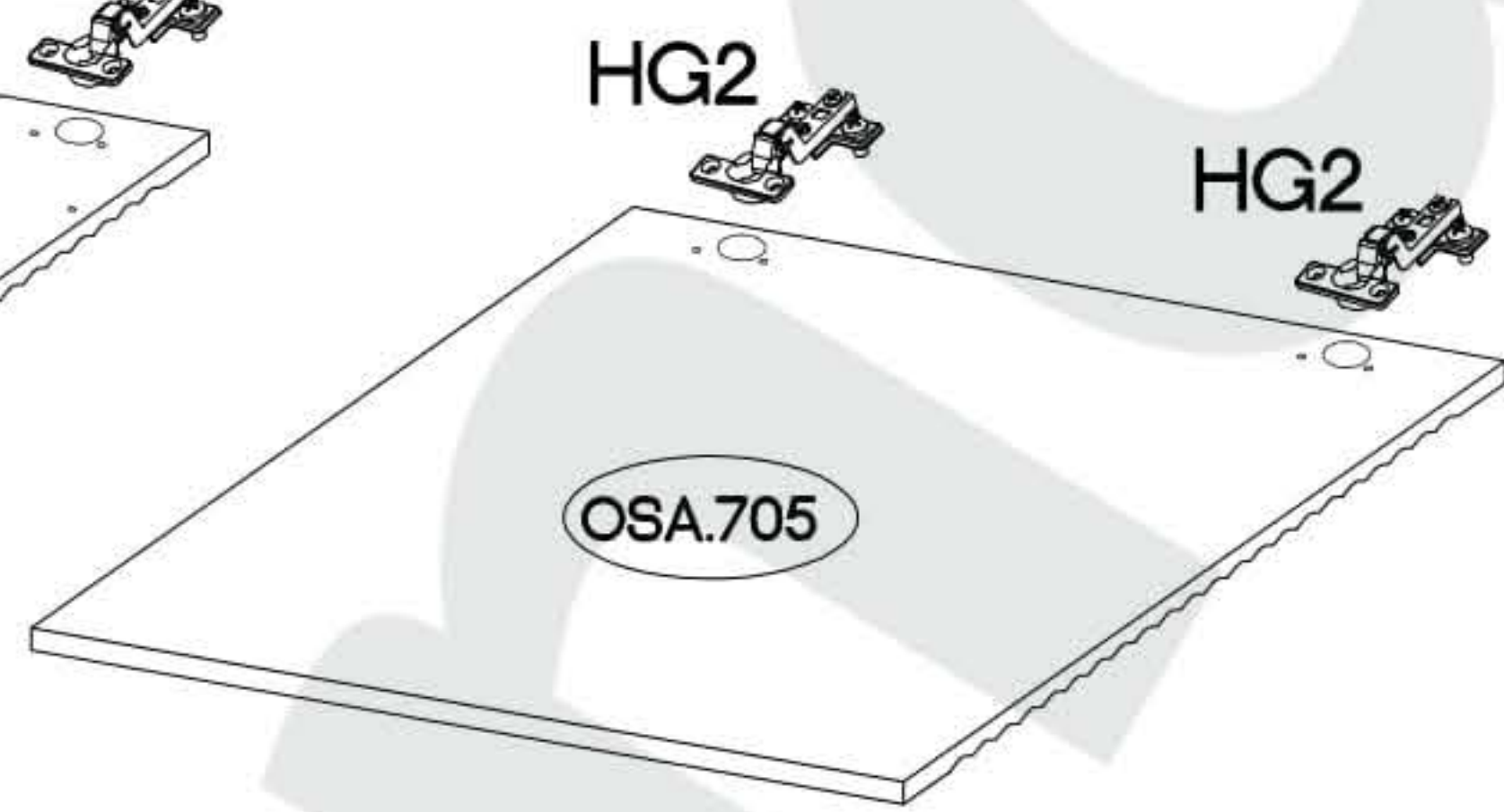
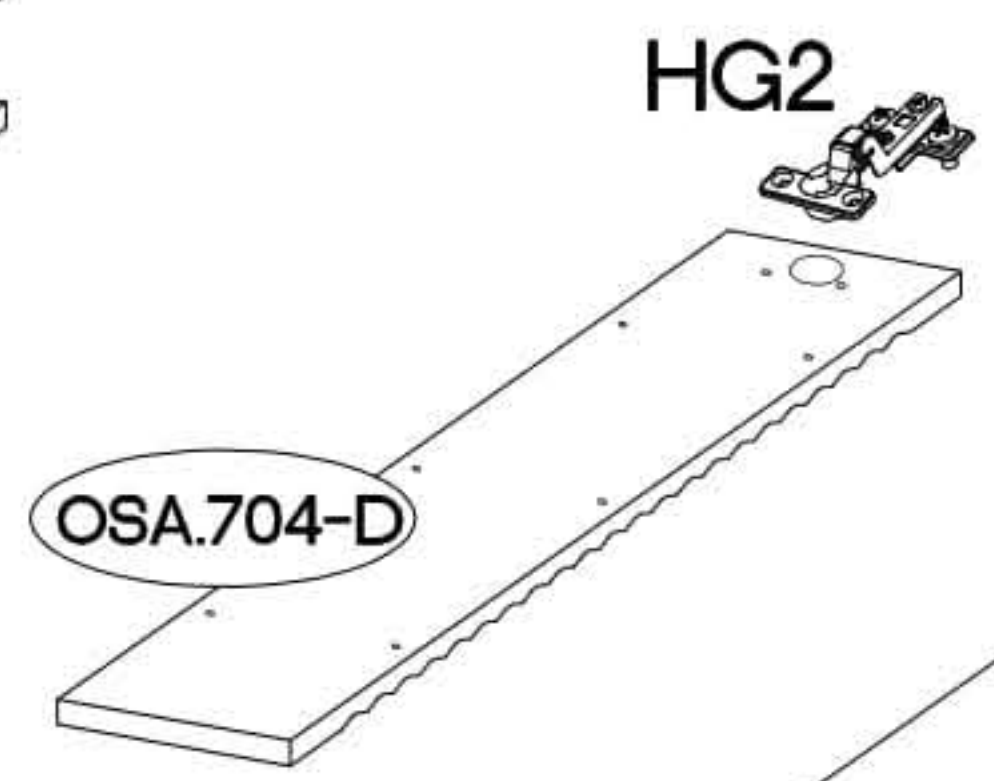
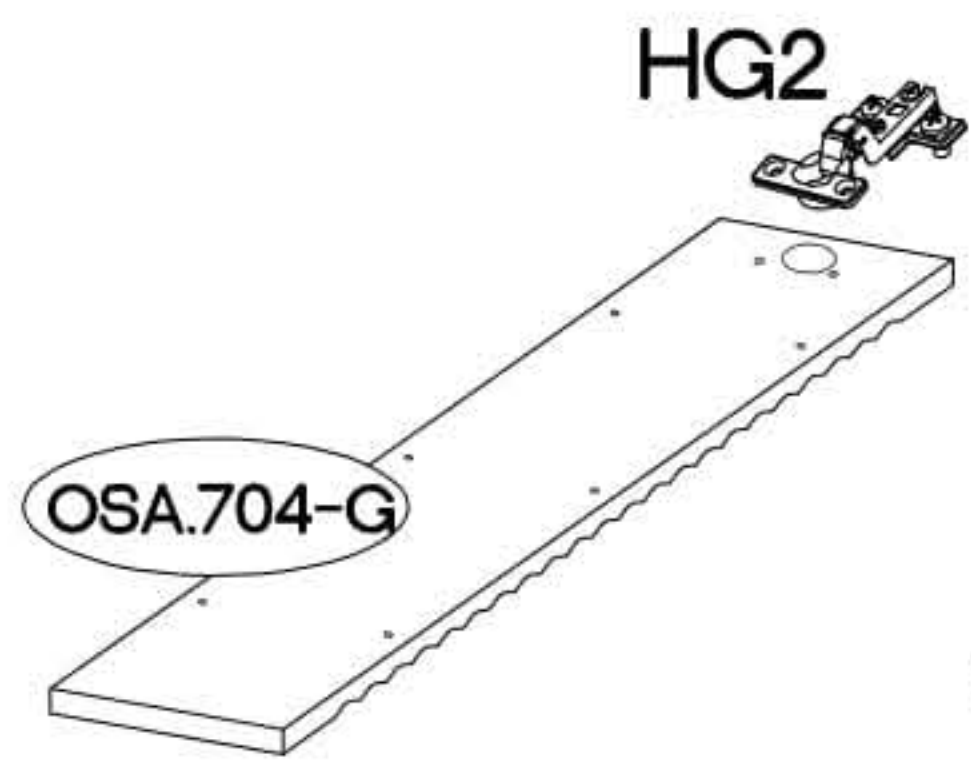
$\pm 4.0 \times 16\text{mm}$	$\pm 7/4\text{mm}$
R11	J7
6	6



13

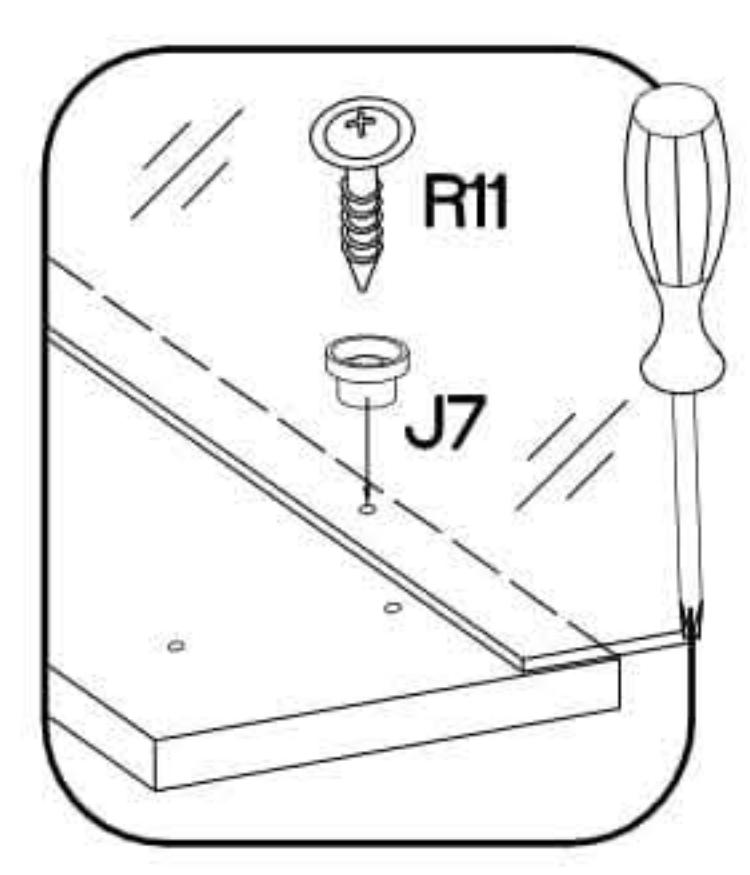
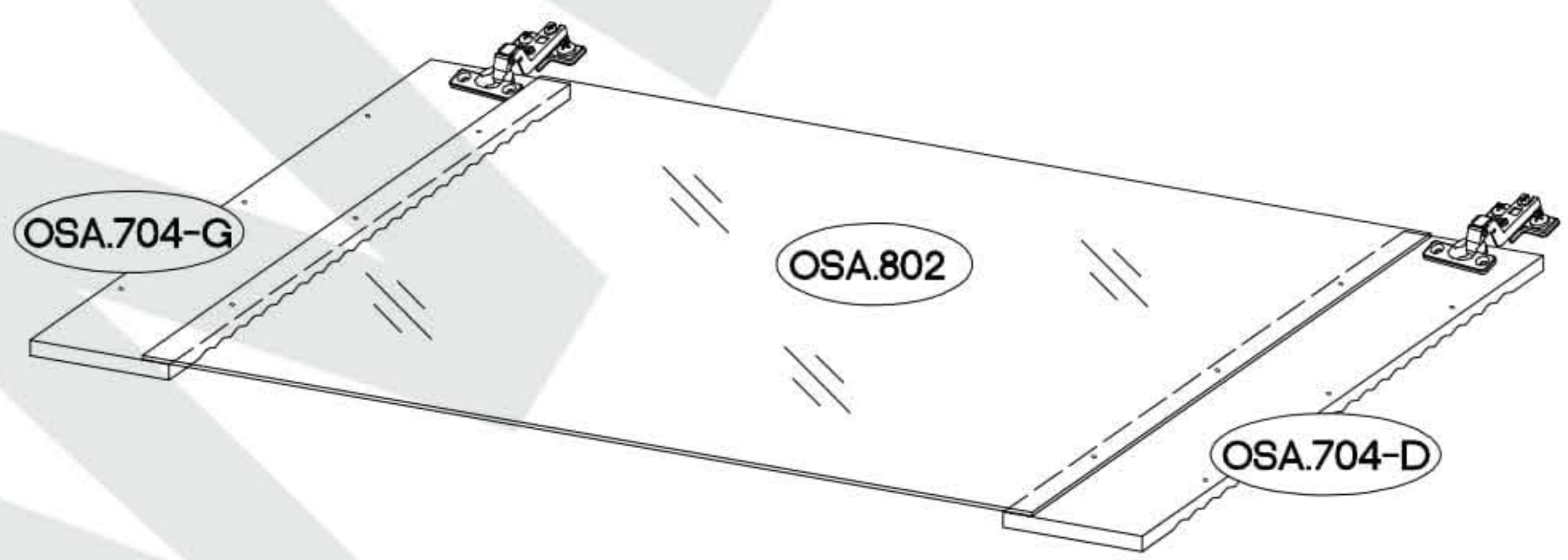
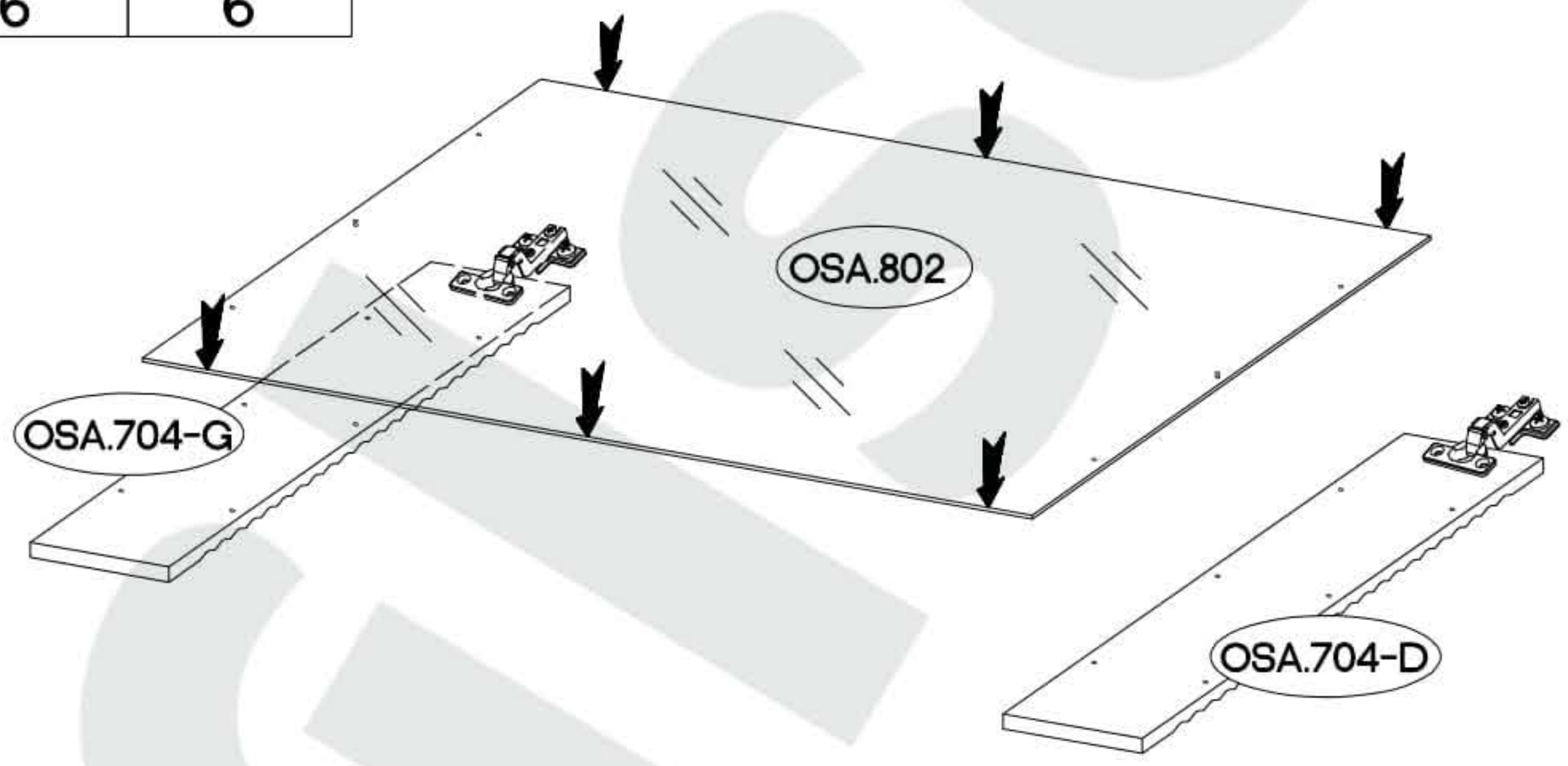



$\pm 35/16\text{mm}$	$\pm 3.5 \times 13\text{mm}$
HG2	P5
4	8



14

$\pm 4.0 \times 16\text{mm}$	$\pm 7/4\text{mm}$
R11	J7
6	6



7/2mm

J5
2

