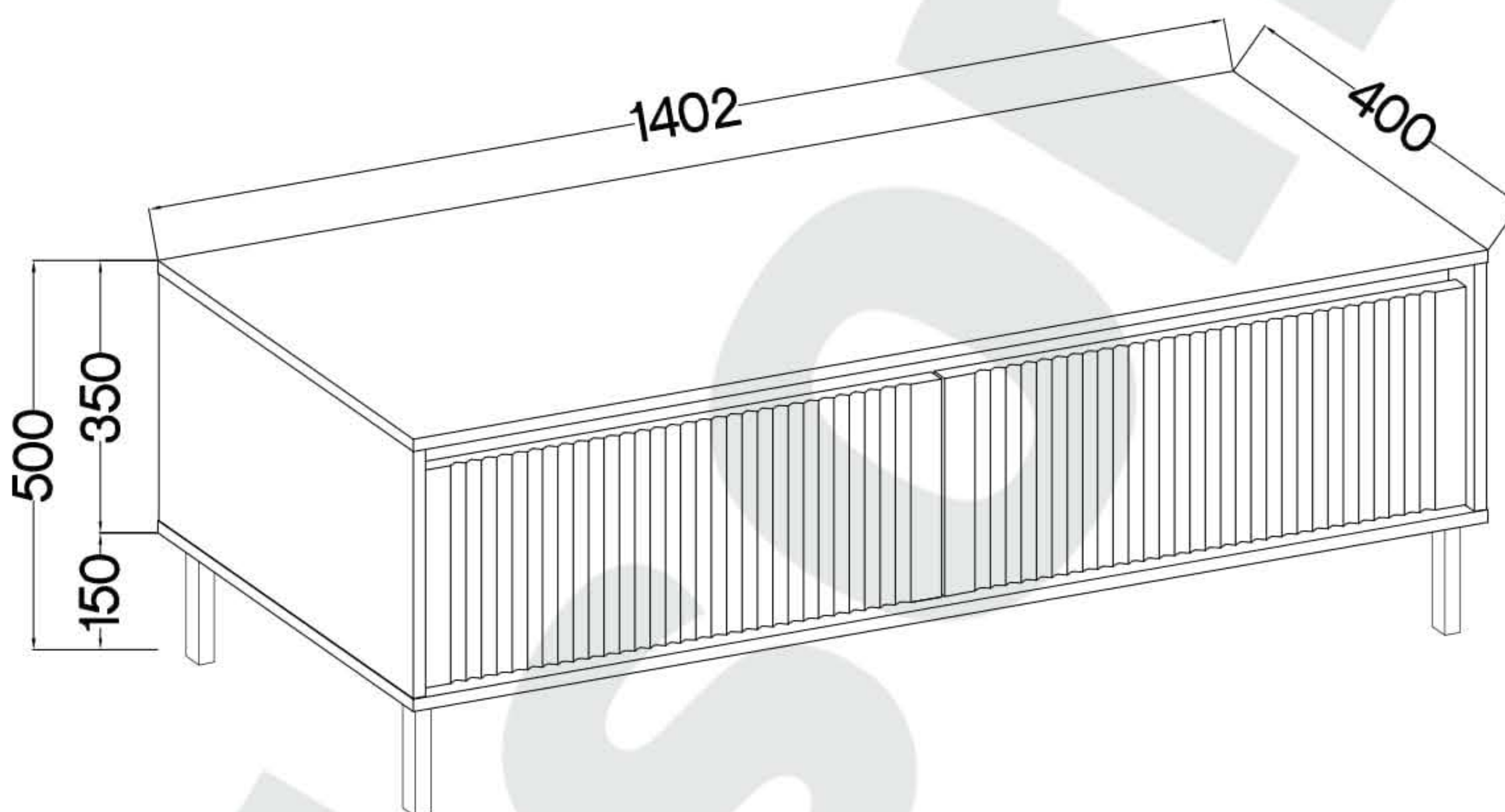


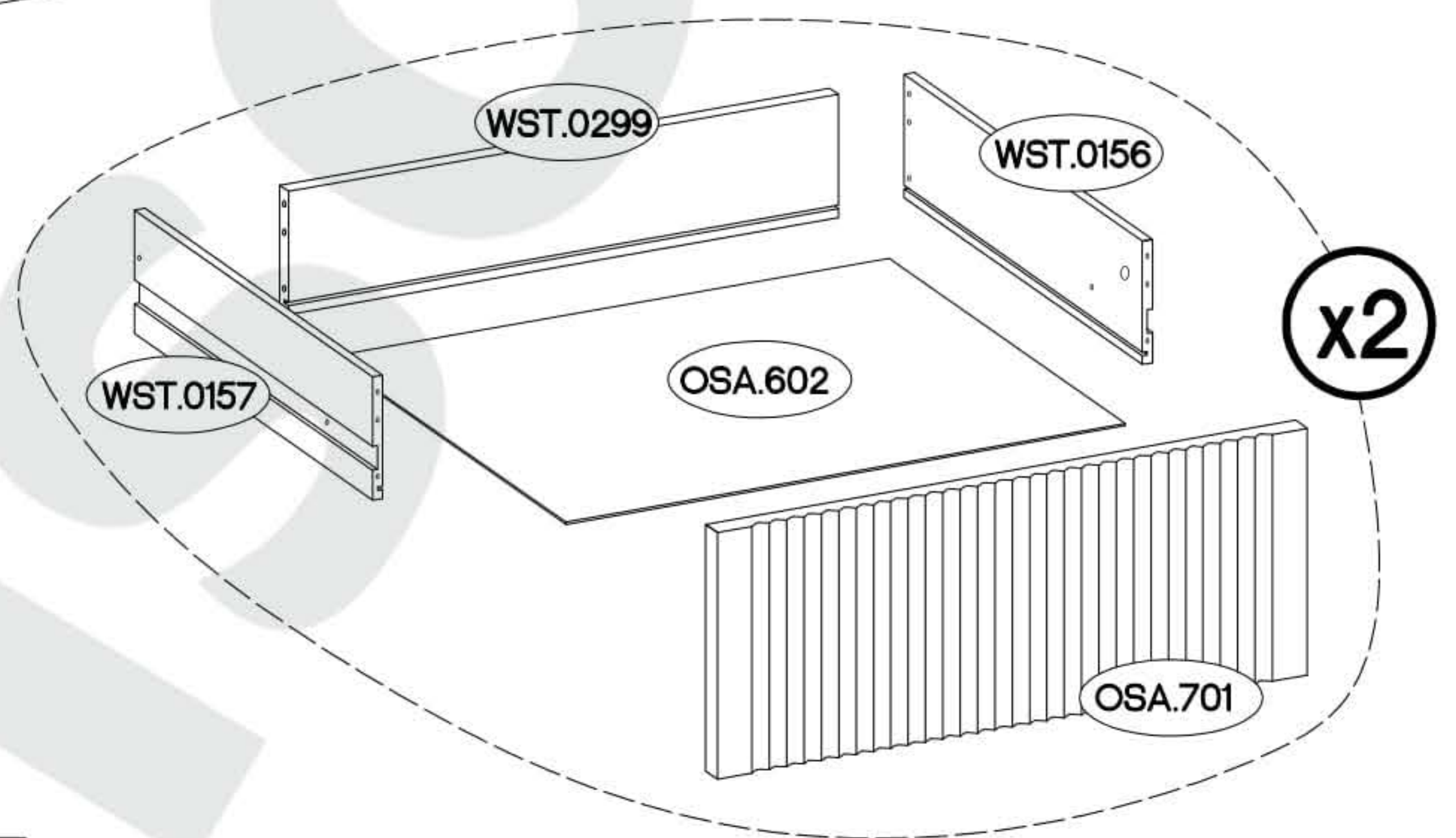
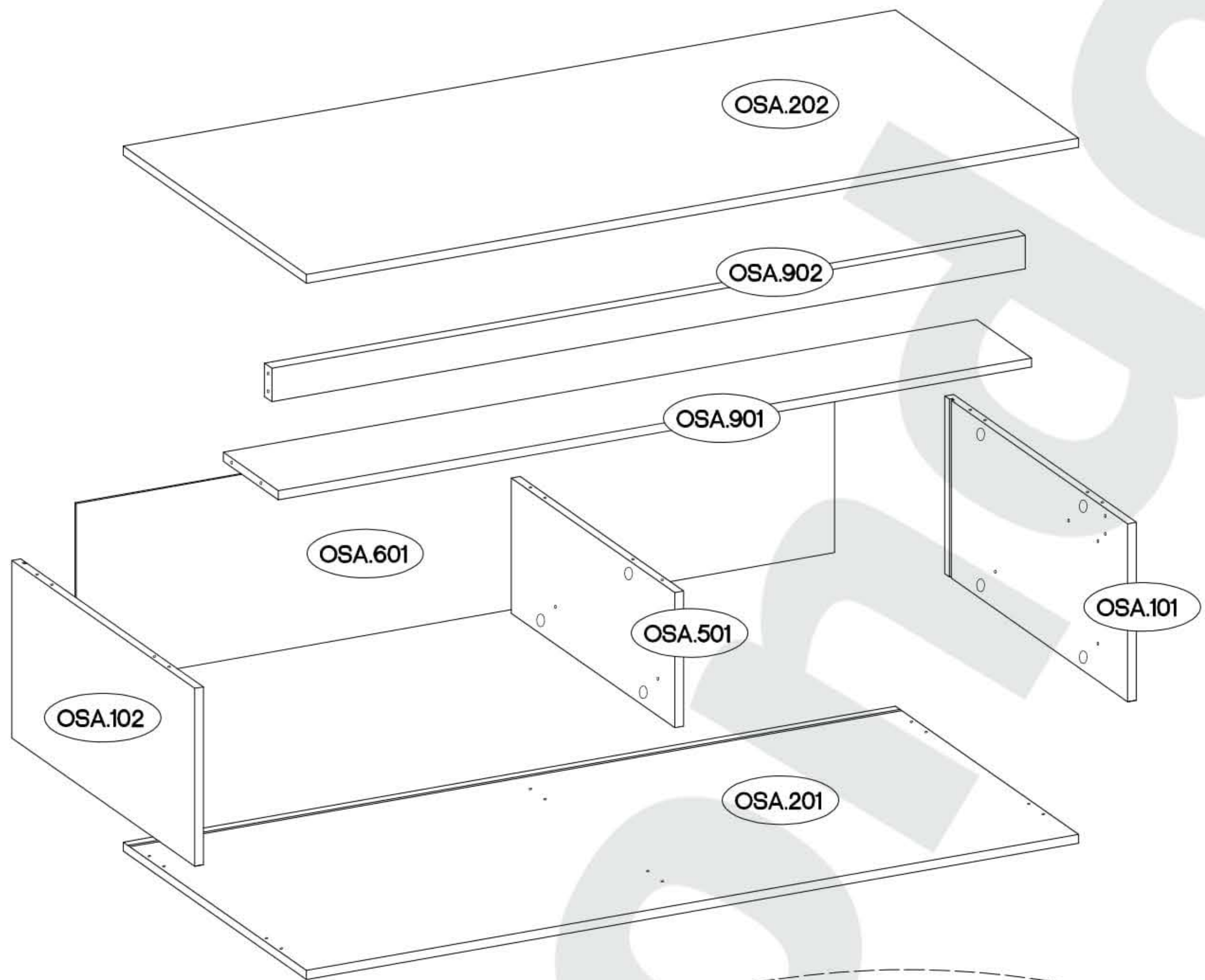
90 min

TYP 302

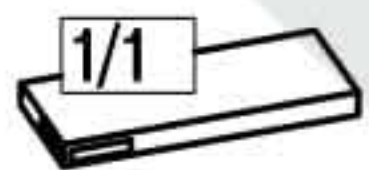


†8x30mm  A 33	†6x42mm  B2 4	†15/12mm  C 13	†12/10mm  C5 4	L=20mm  D2 17	L=150mm  F34 5	27/310mm  I4 2	†7/2mm  J5 4	†20/8mm  J14 4		
 L 20	 L9 1	†6,3x13mm  M2 4	†6,3x20mm  M3 4	†10x50mm  O7 1	†4,0x16mm  P1 4	†3,5x13mm  P5 1	†3,0x20mm  P7 2	†4,0x16mm  R11 15	 T3 2	M4x9mm  U1 4

ISM-OSA-001



	Ersatzteil Nummer	Dimension
	OSA.101	318x399x16
	OSA.102	318x399x16
	OSA.501	242x357x16
	OSA.201	1402x400x16
	OSA.202	1402x400x16
	OSA.901	1368x120x16
	OSA.902	1368x60x16
	OSA.601	1377x327x2,5
	OSA.602 x2	645x327x2,5
	WST.0156 x2	330x140x12
	WST.0157 x2	330x140x12
	WST.0299 x2	634x140x12
	TKO.701 x2	280x680x16


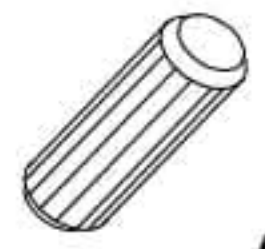


OSA.202



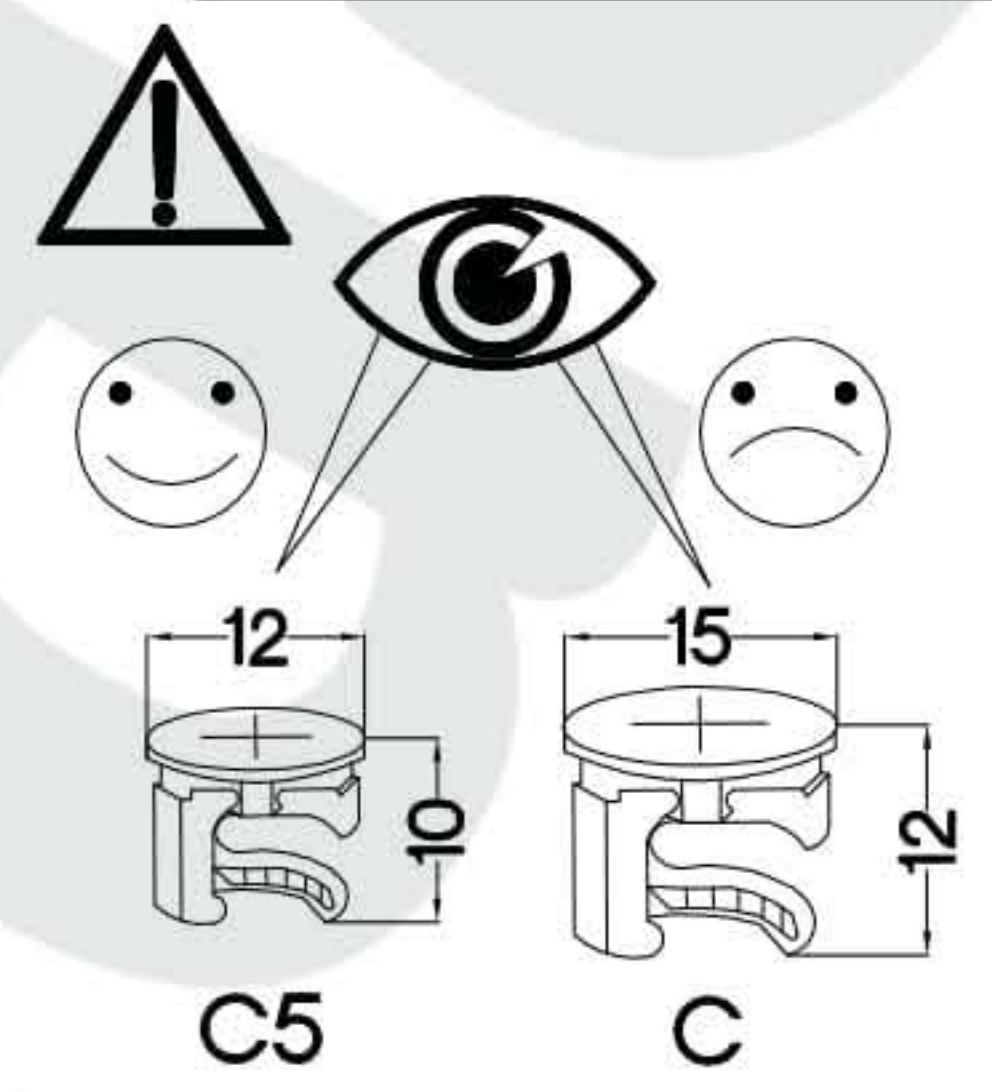
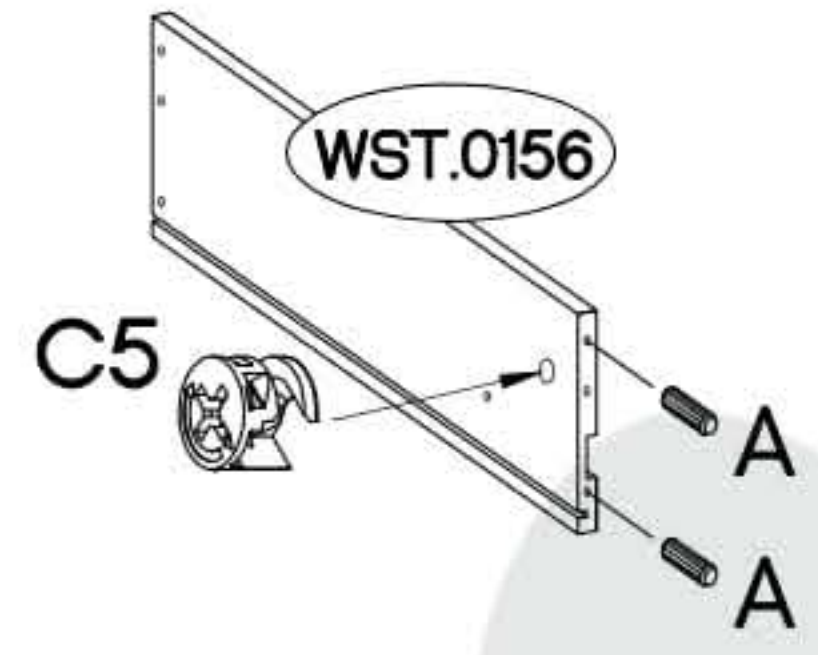
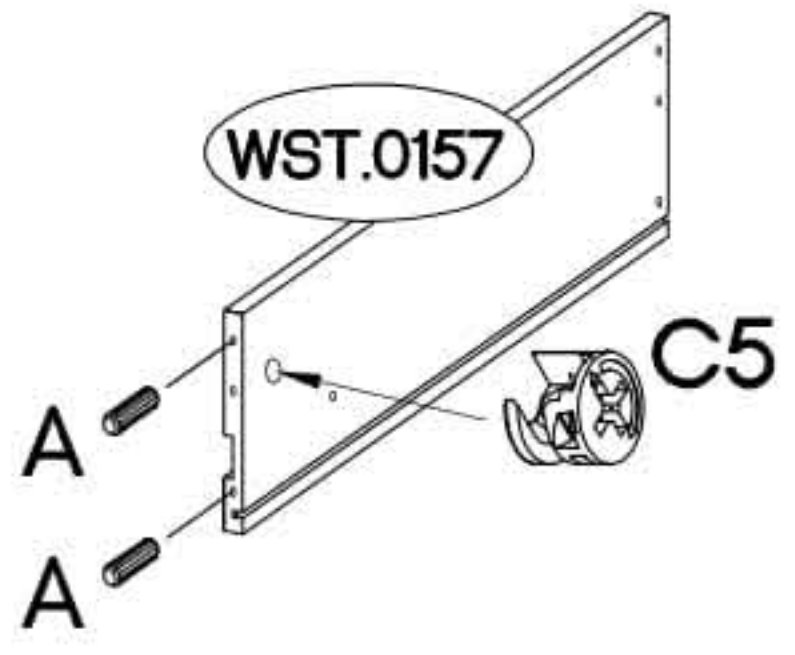
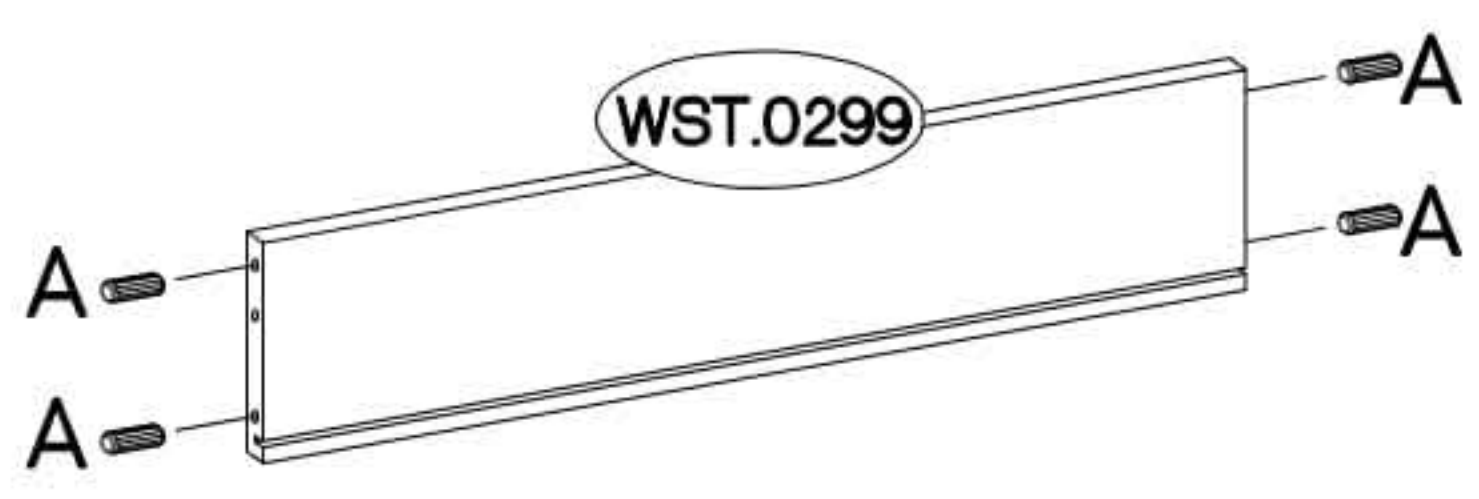
OSA.602

1

±12/10mm  C5 4	±8x30mm  A 16
---	--




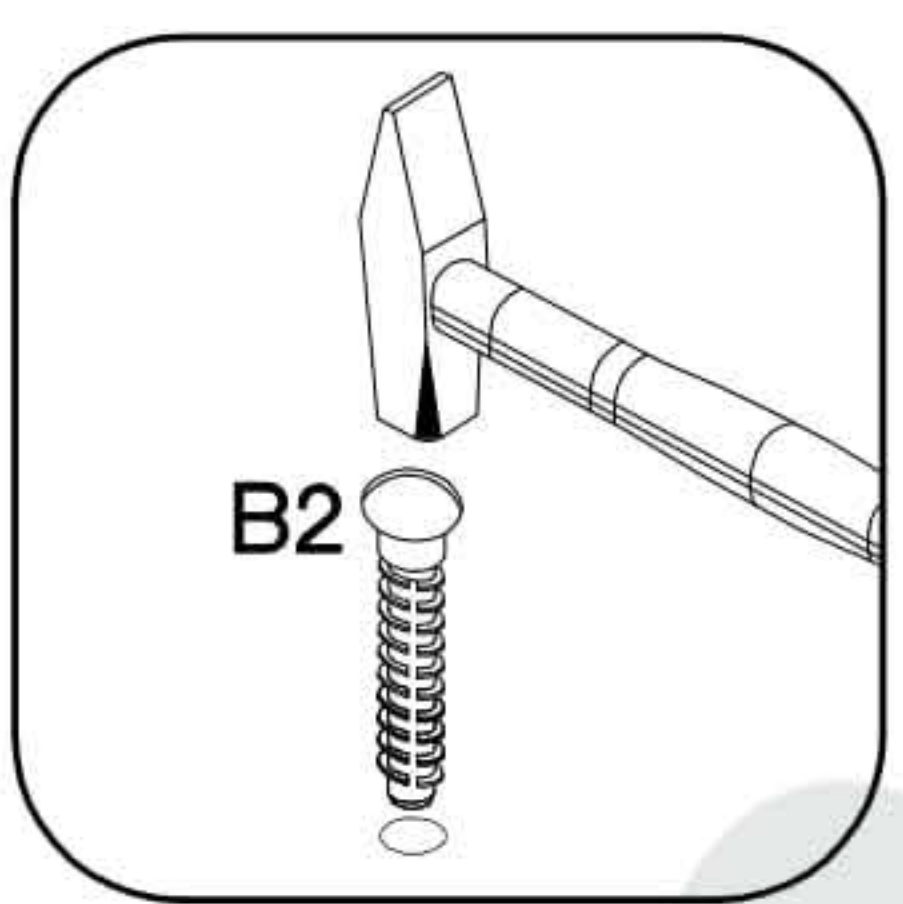
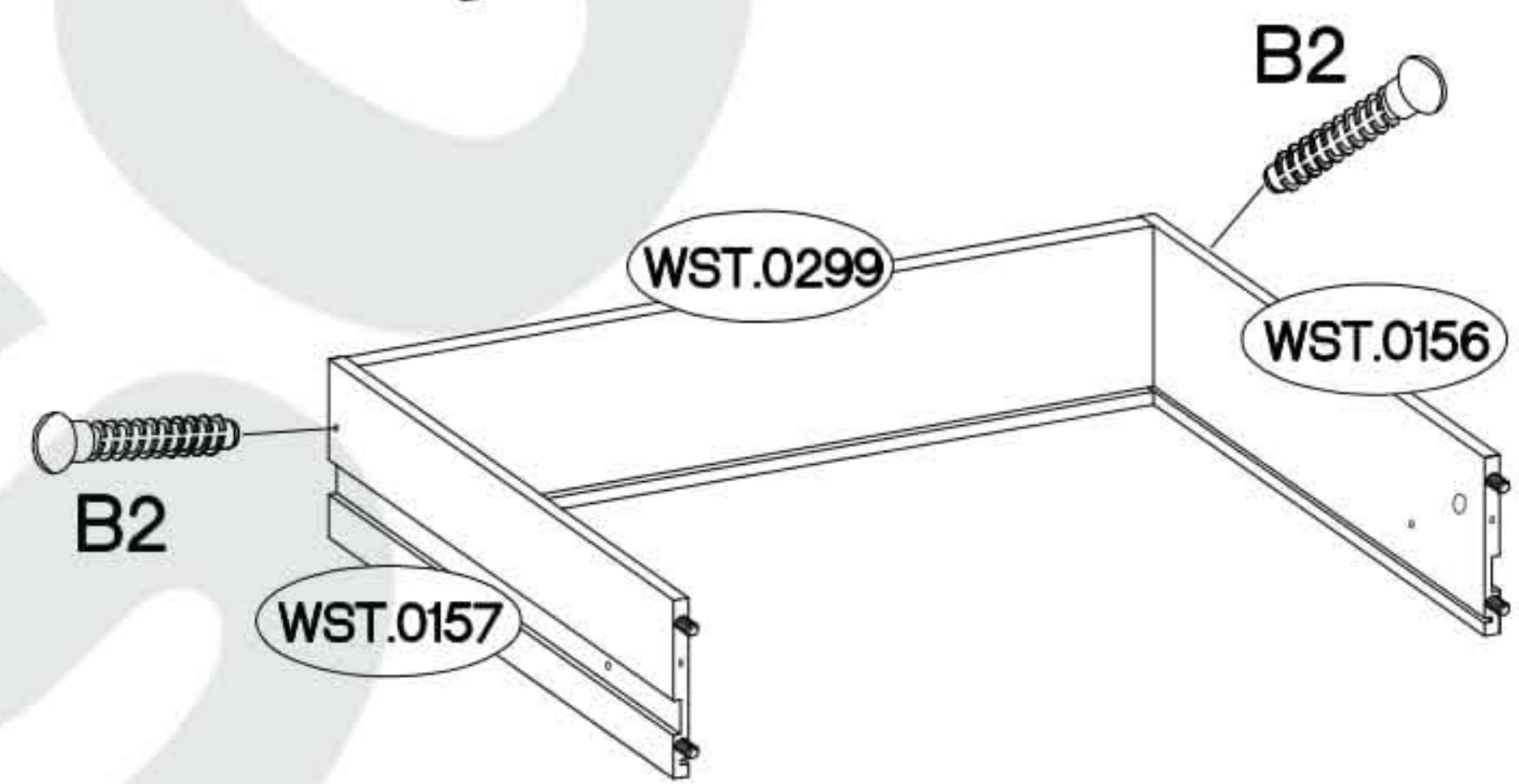
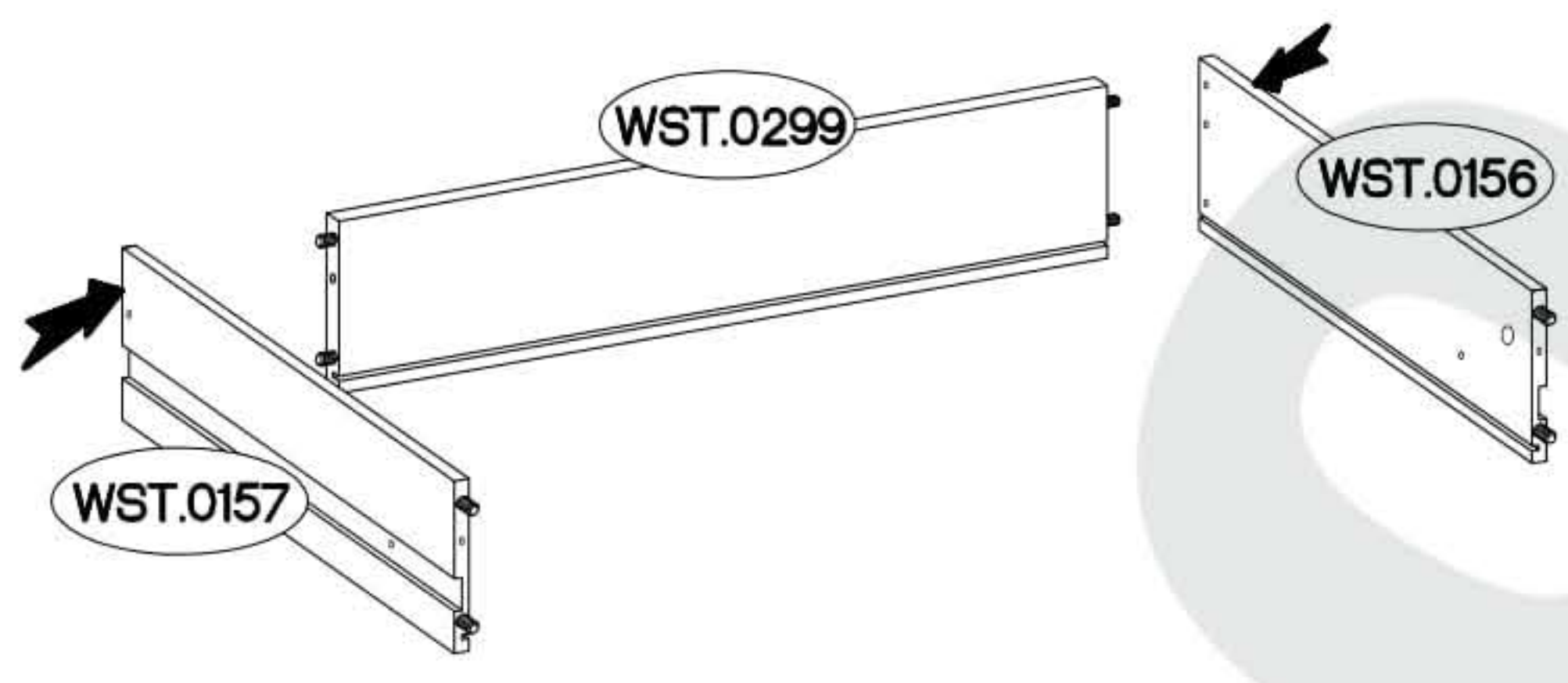
x2



2

x2

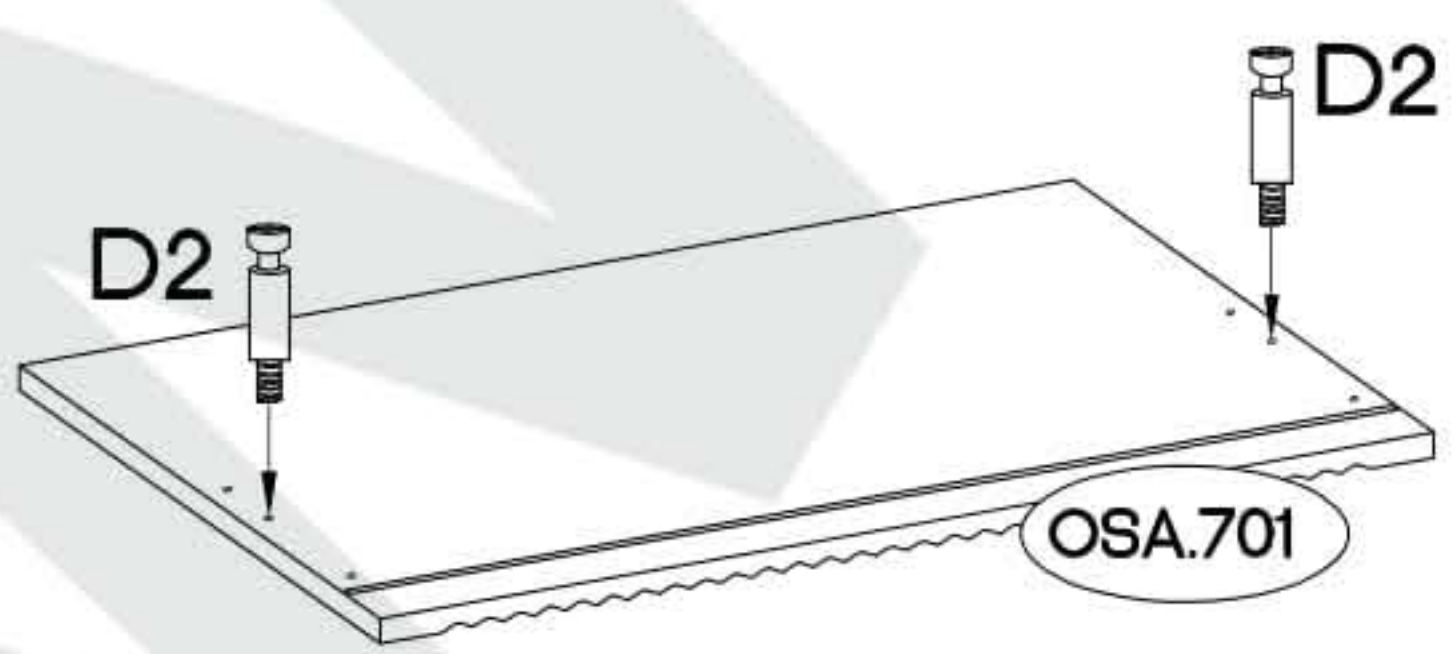
±6x42mm  B2 4
---



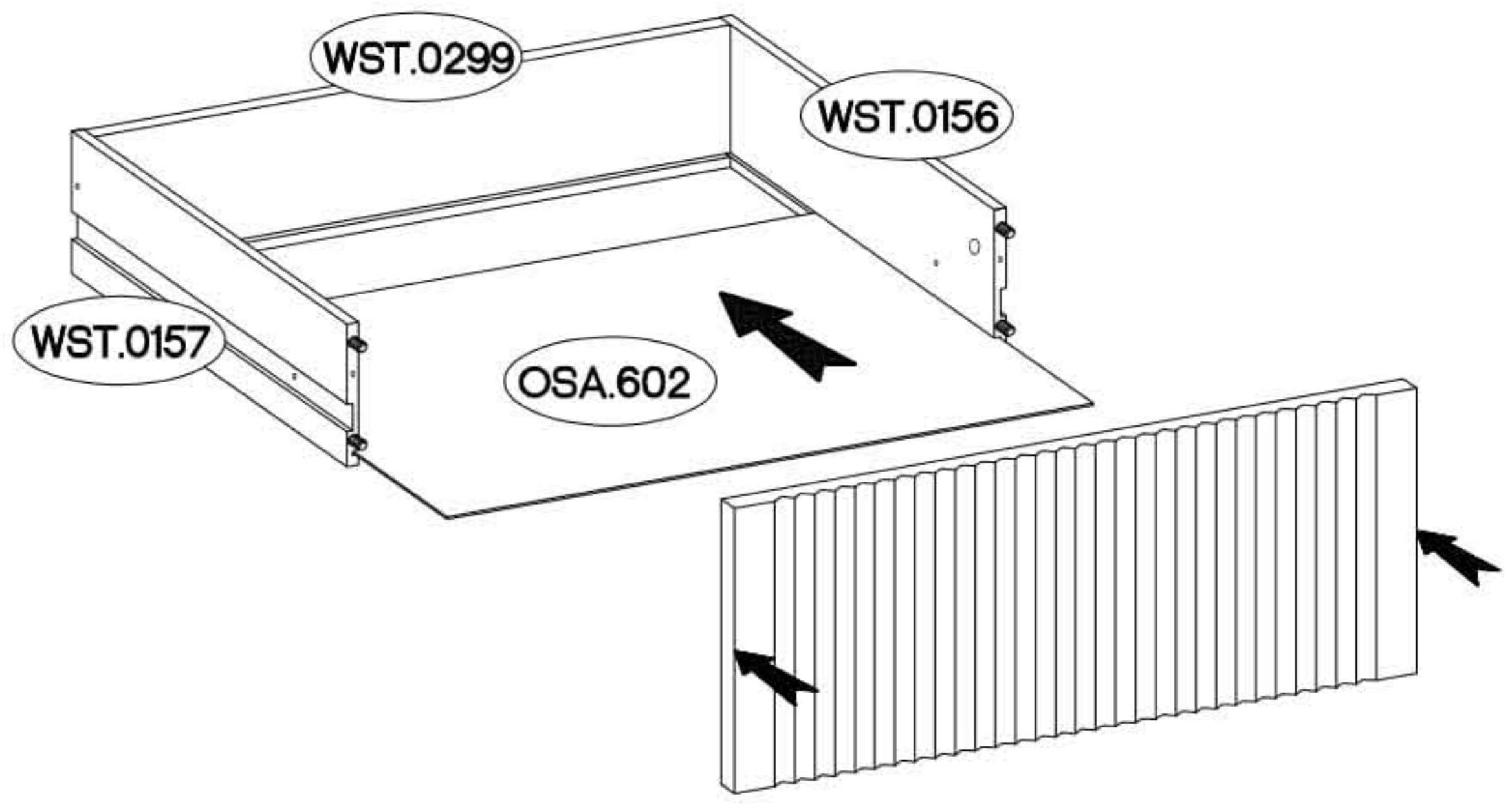
3

L=20mm  D2 4
--

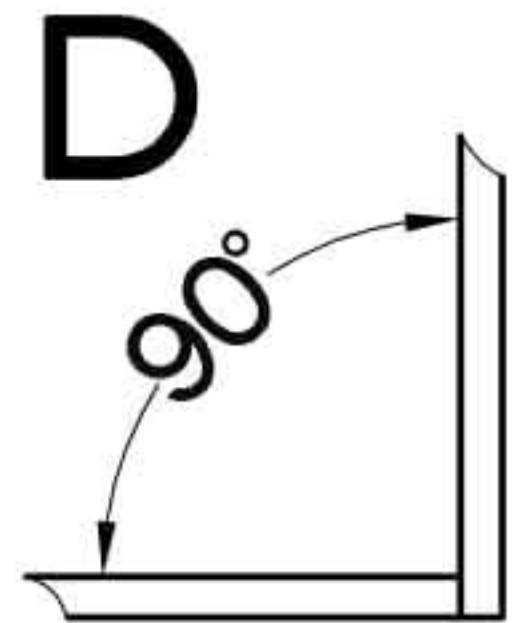
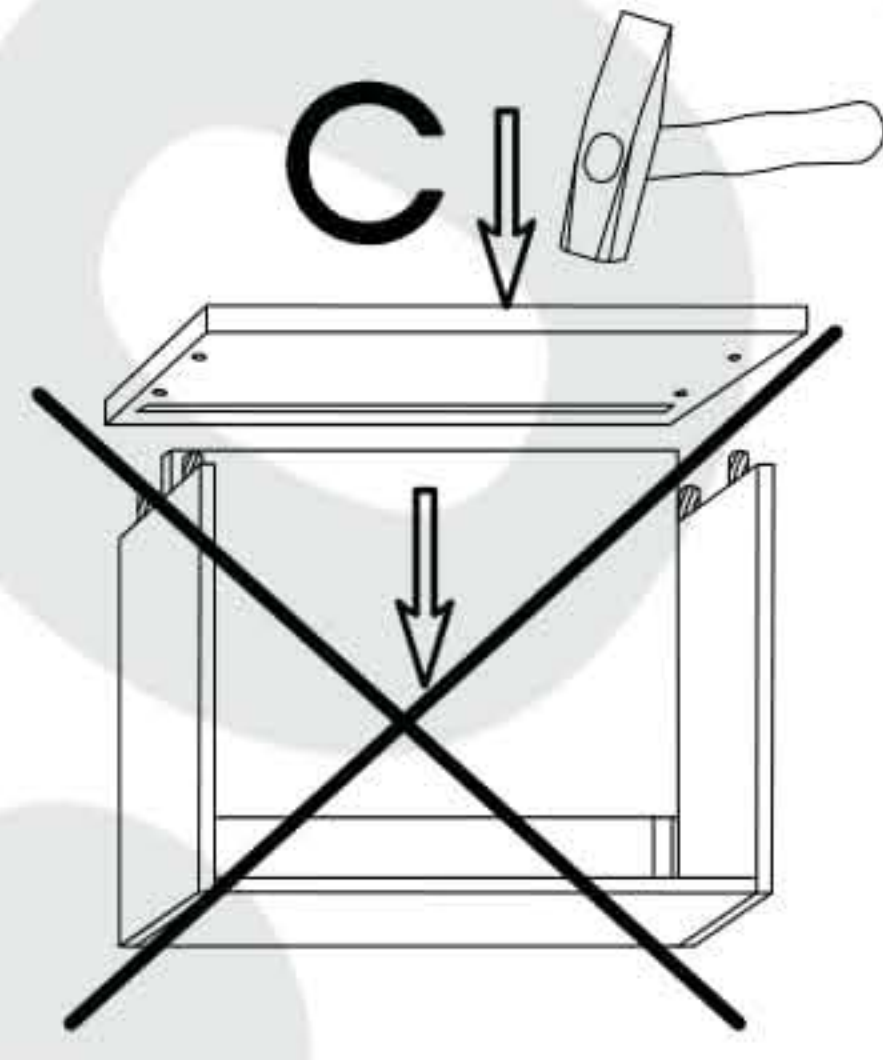
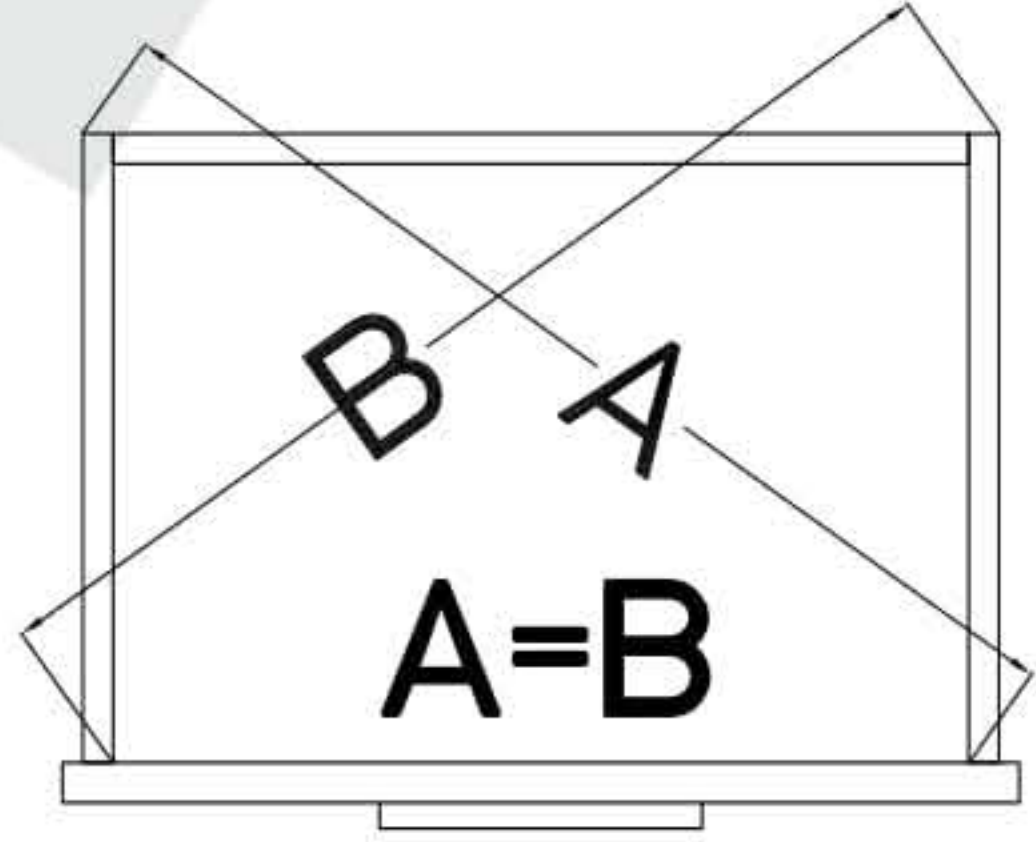
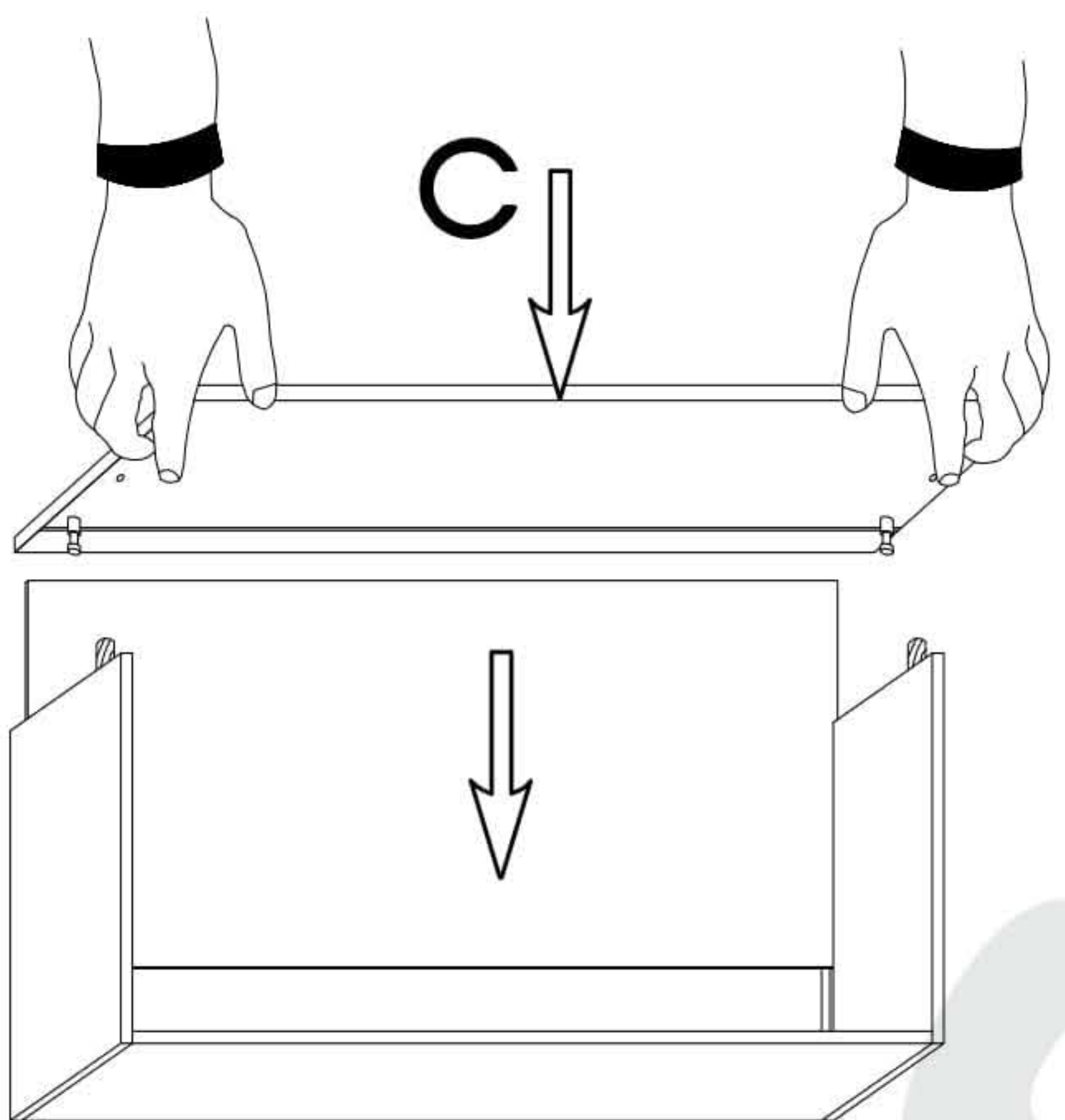
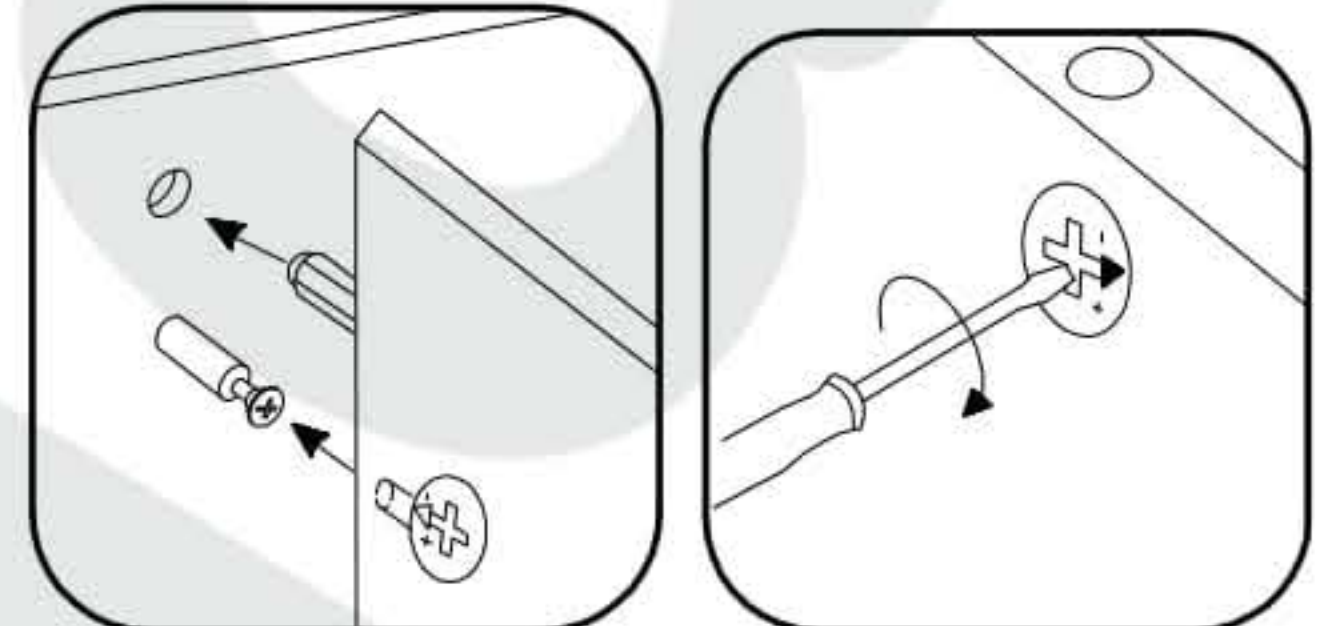
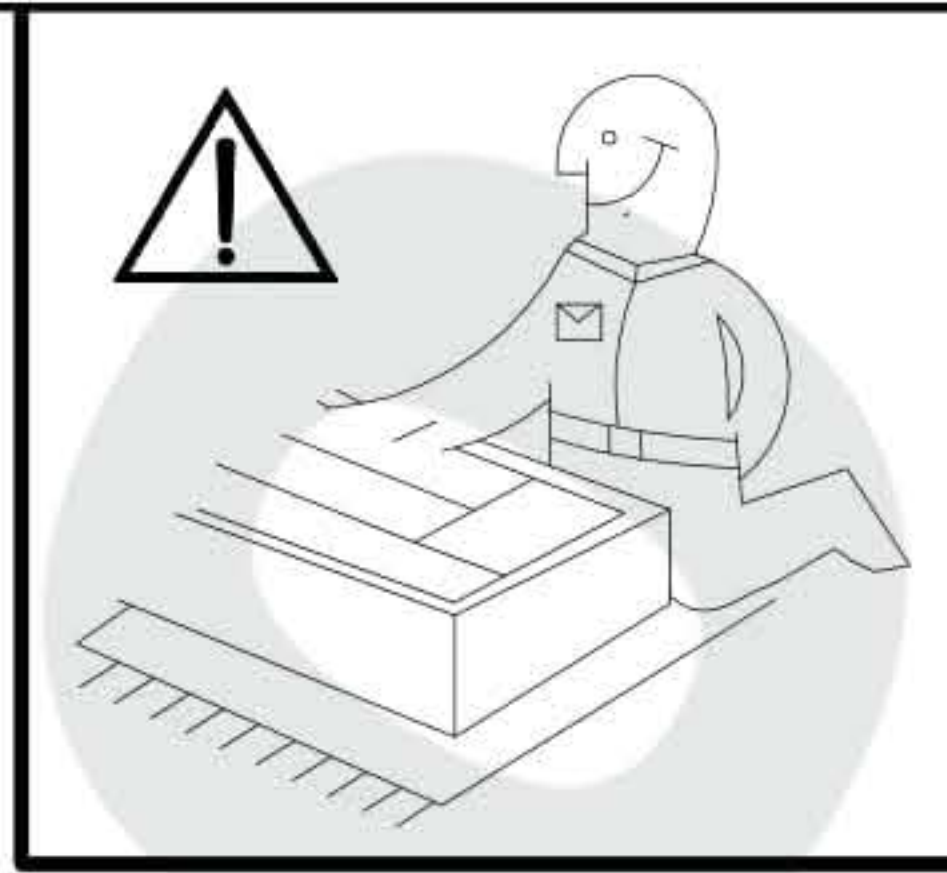
x2



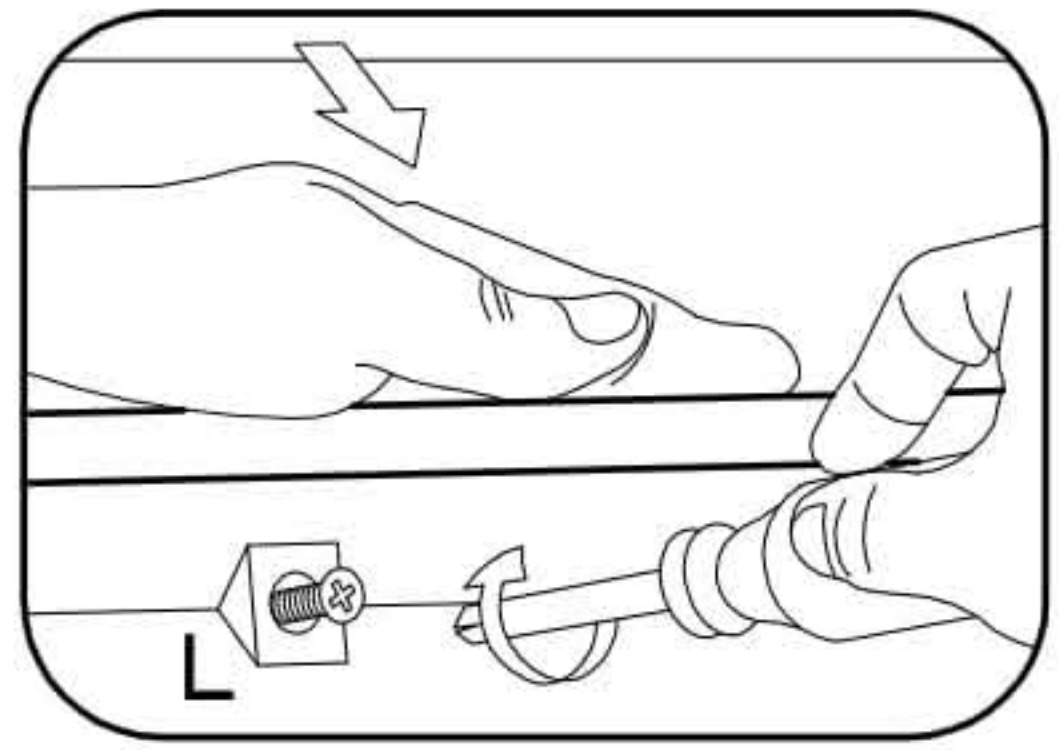
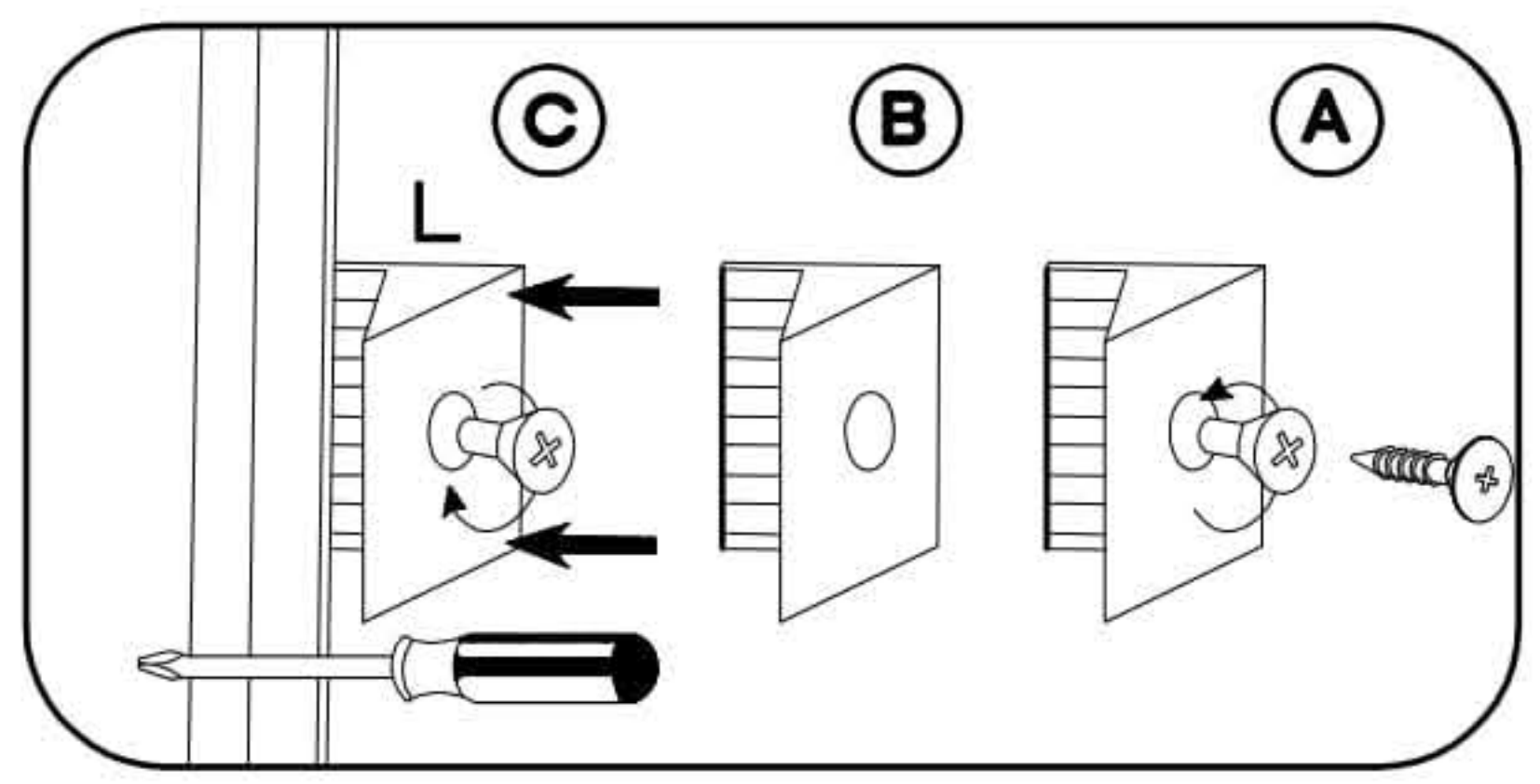
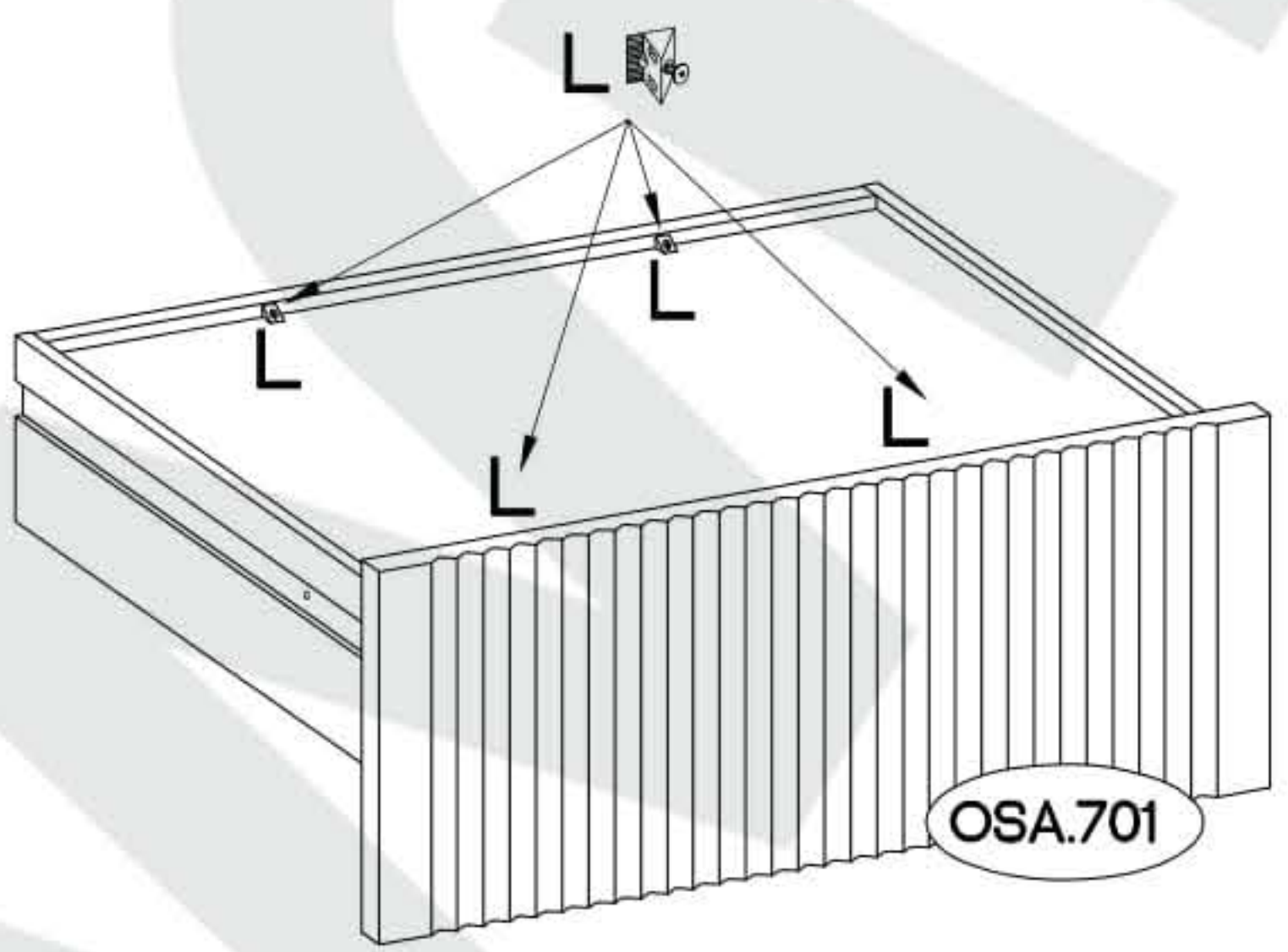
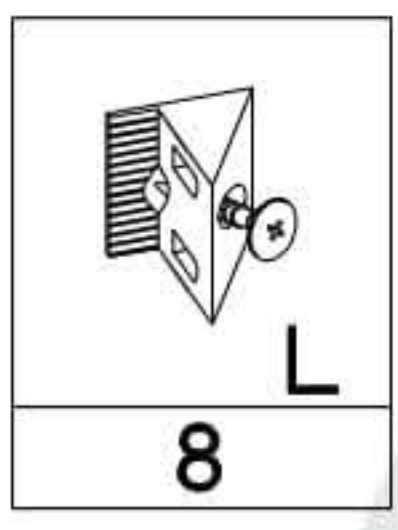
4



x2

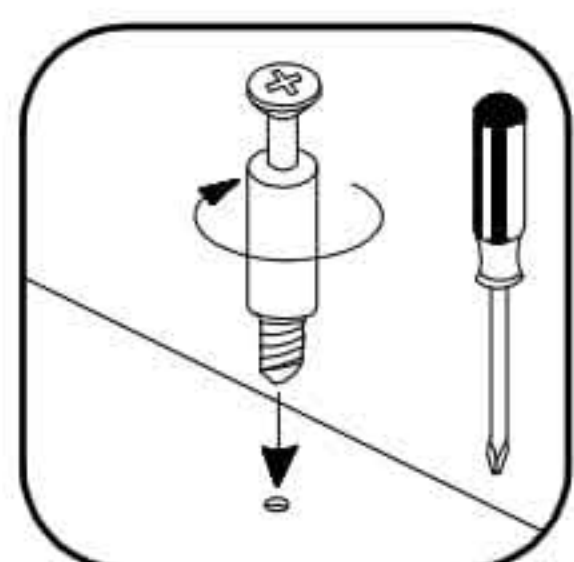
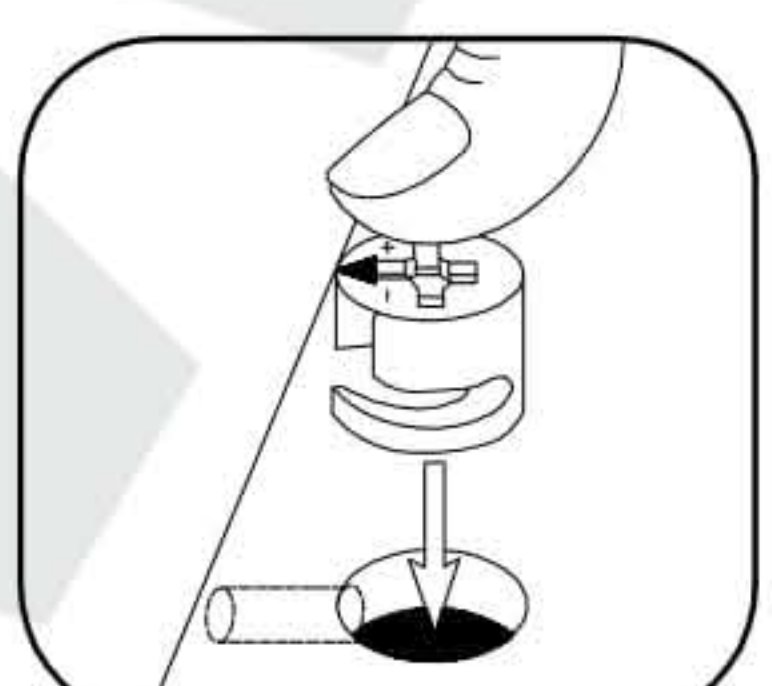
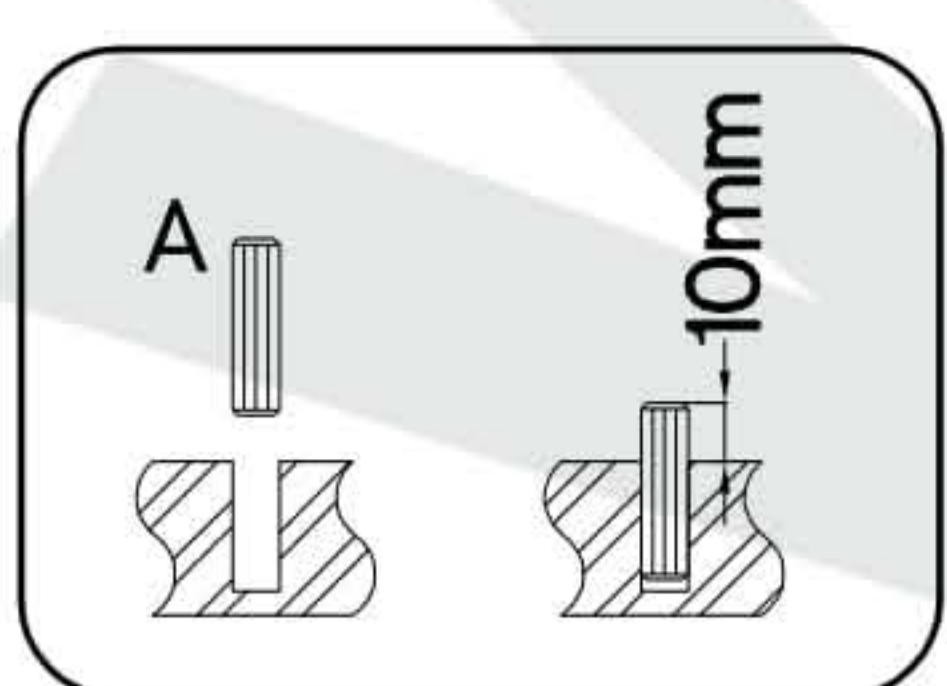
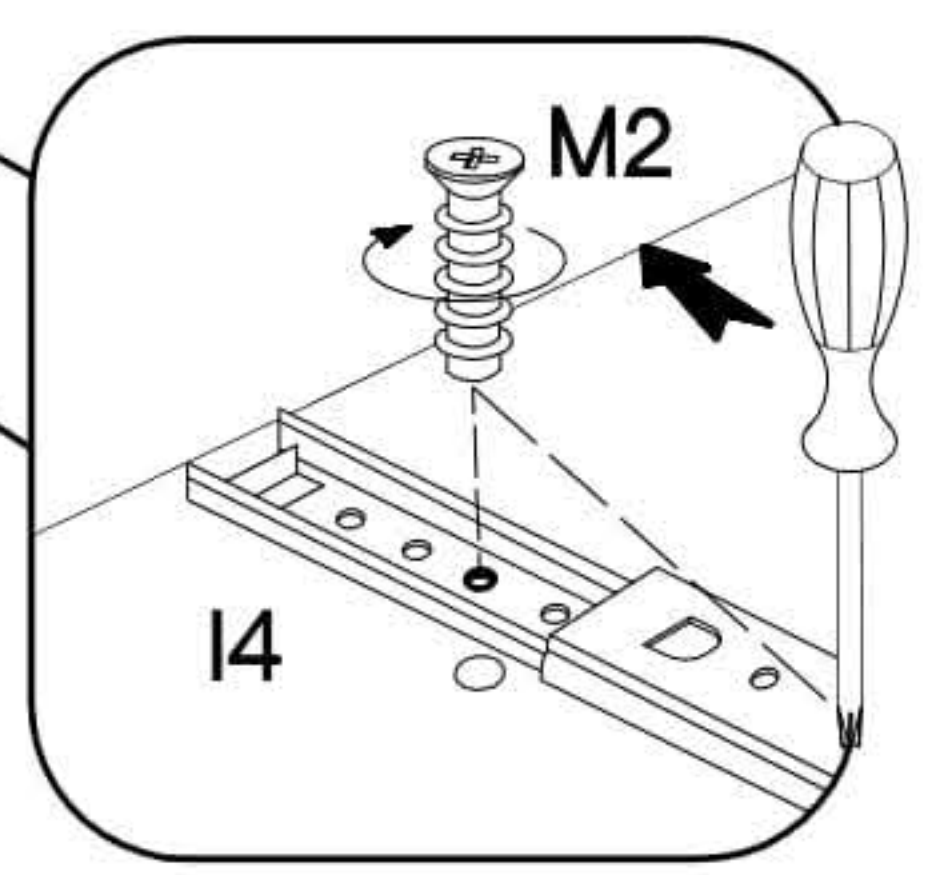
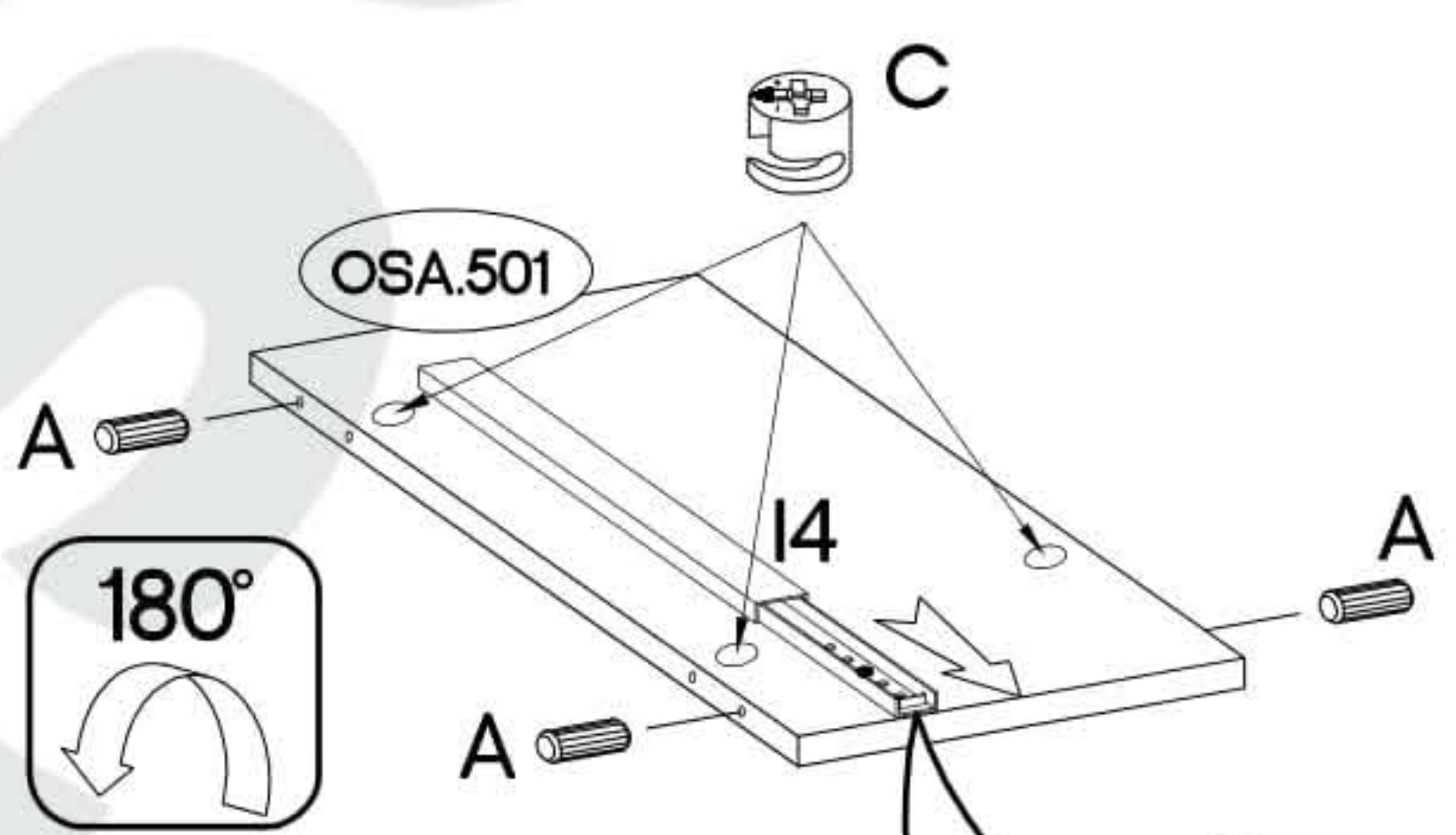
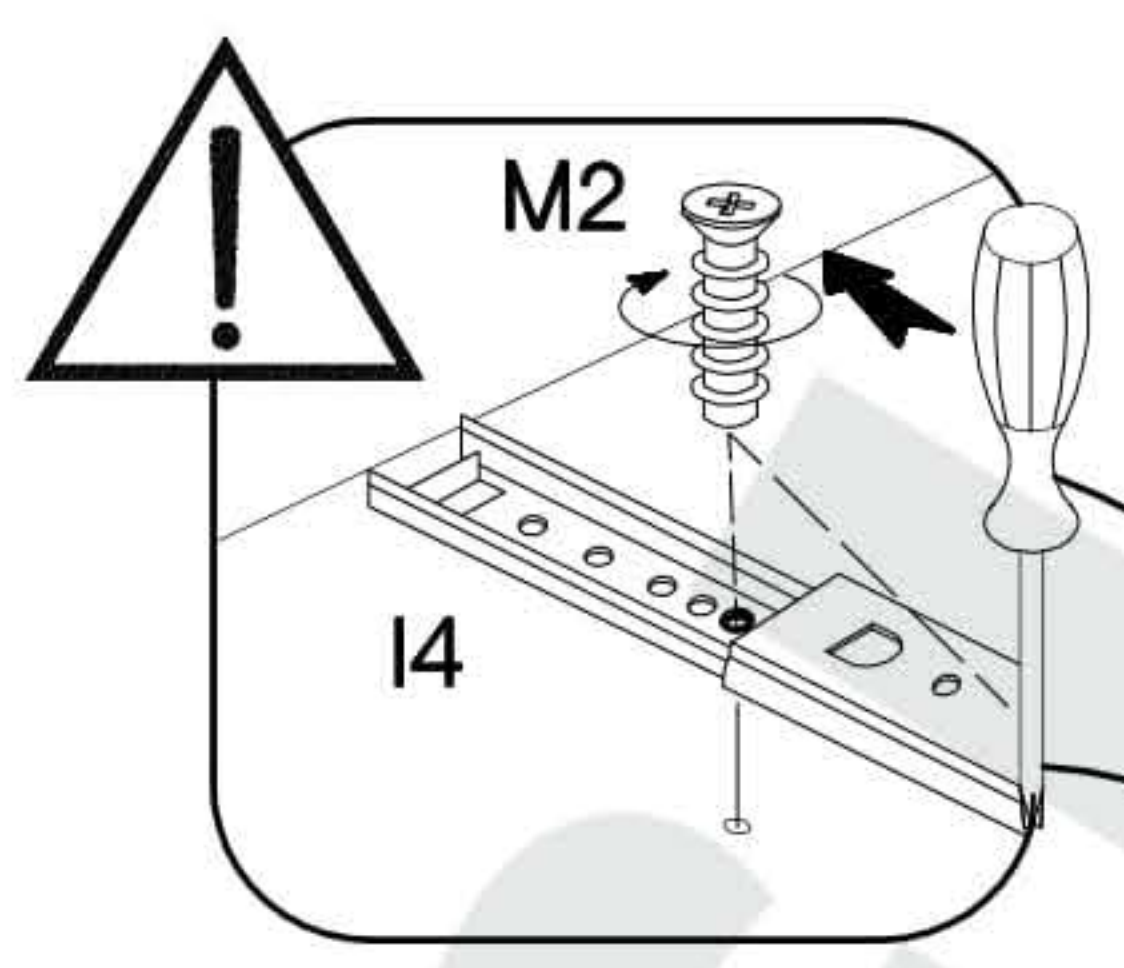
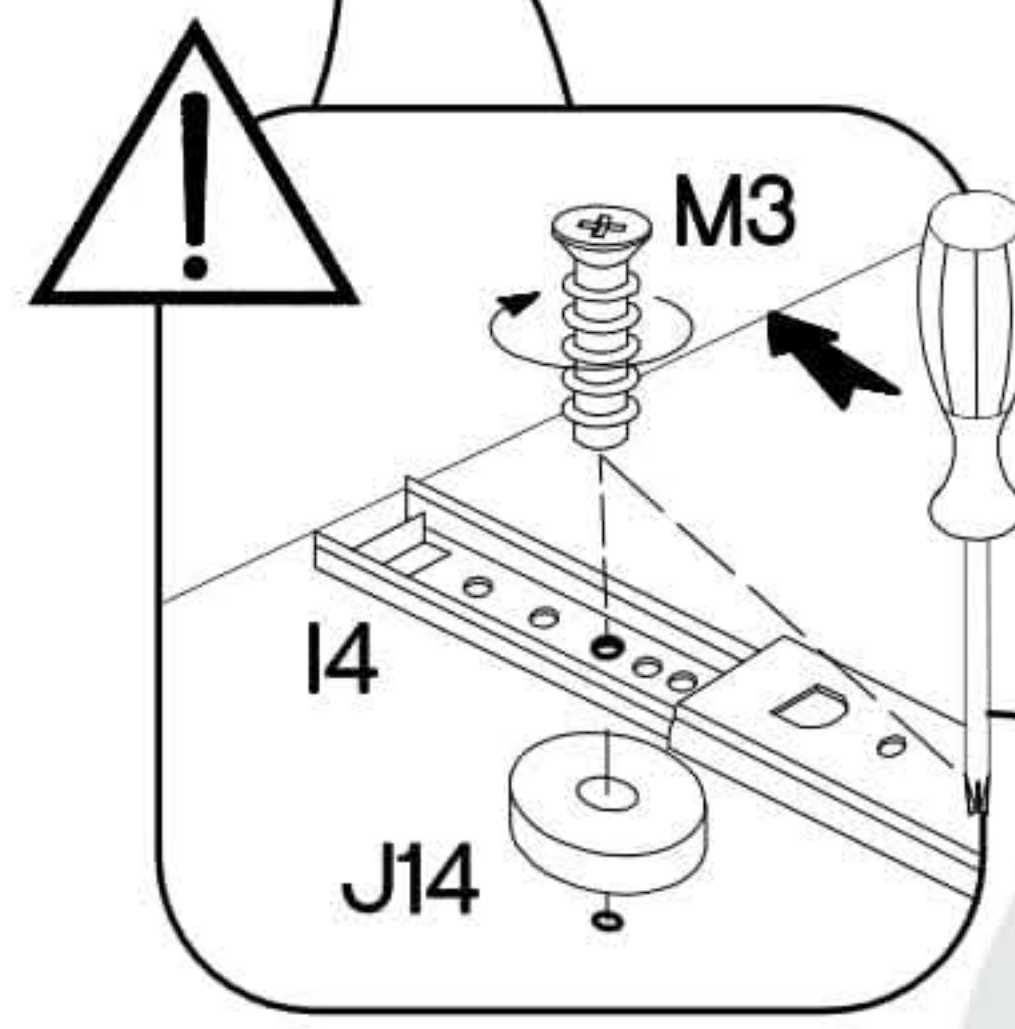
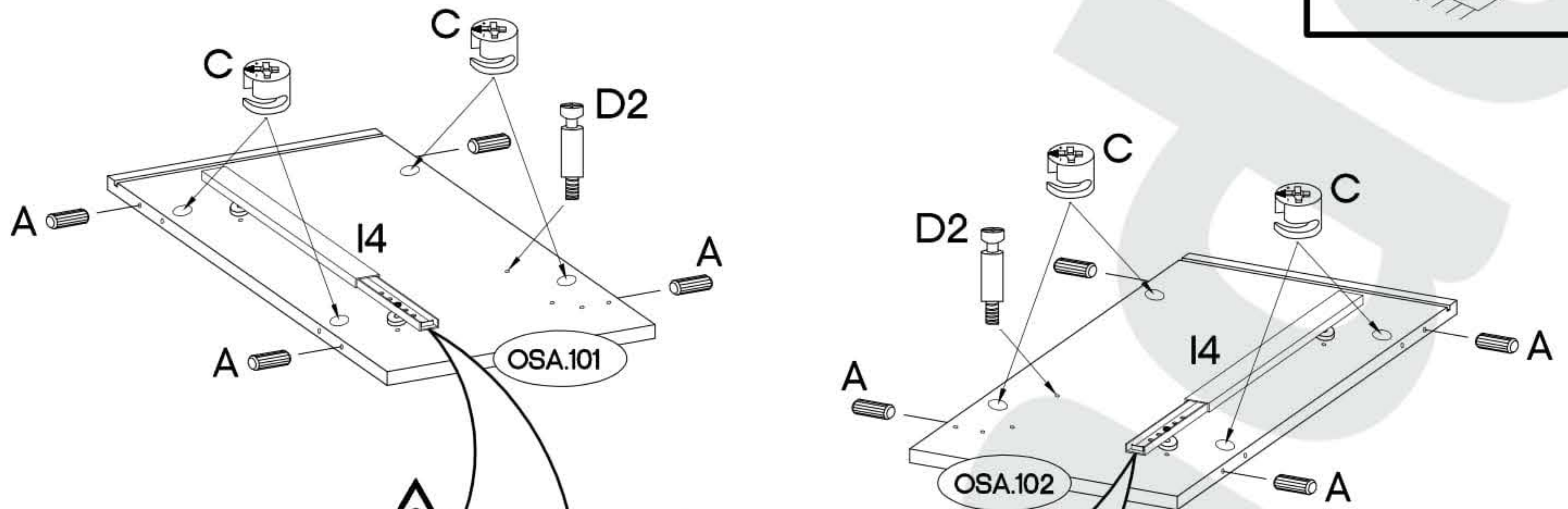
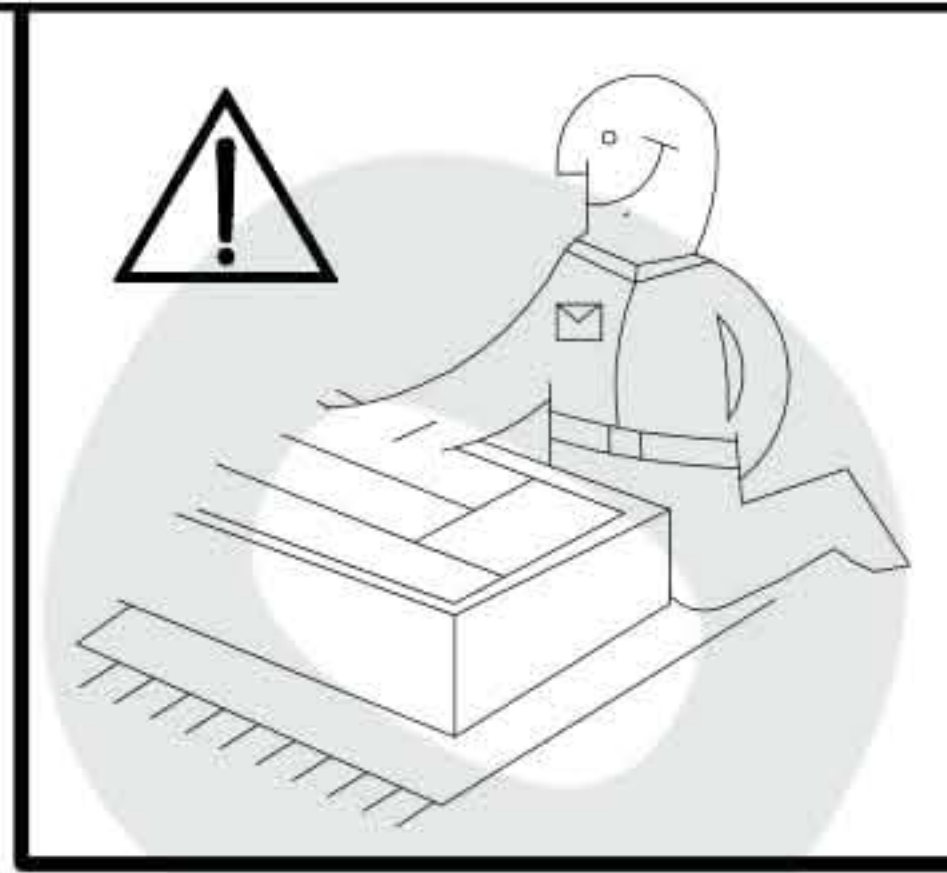


5


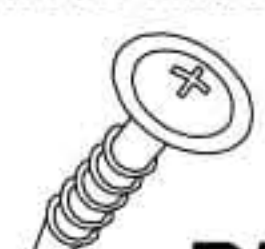



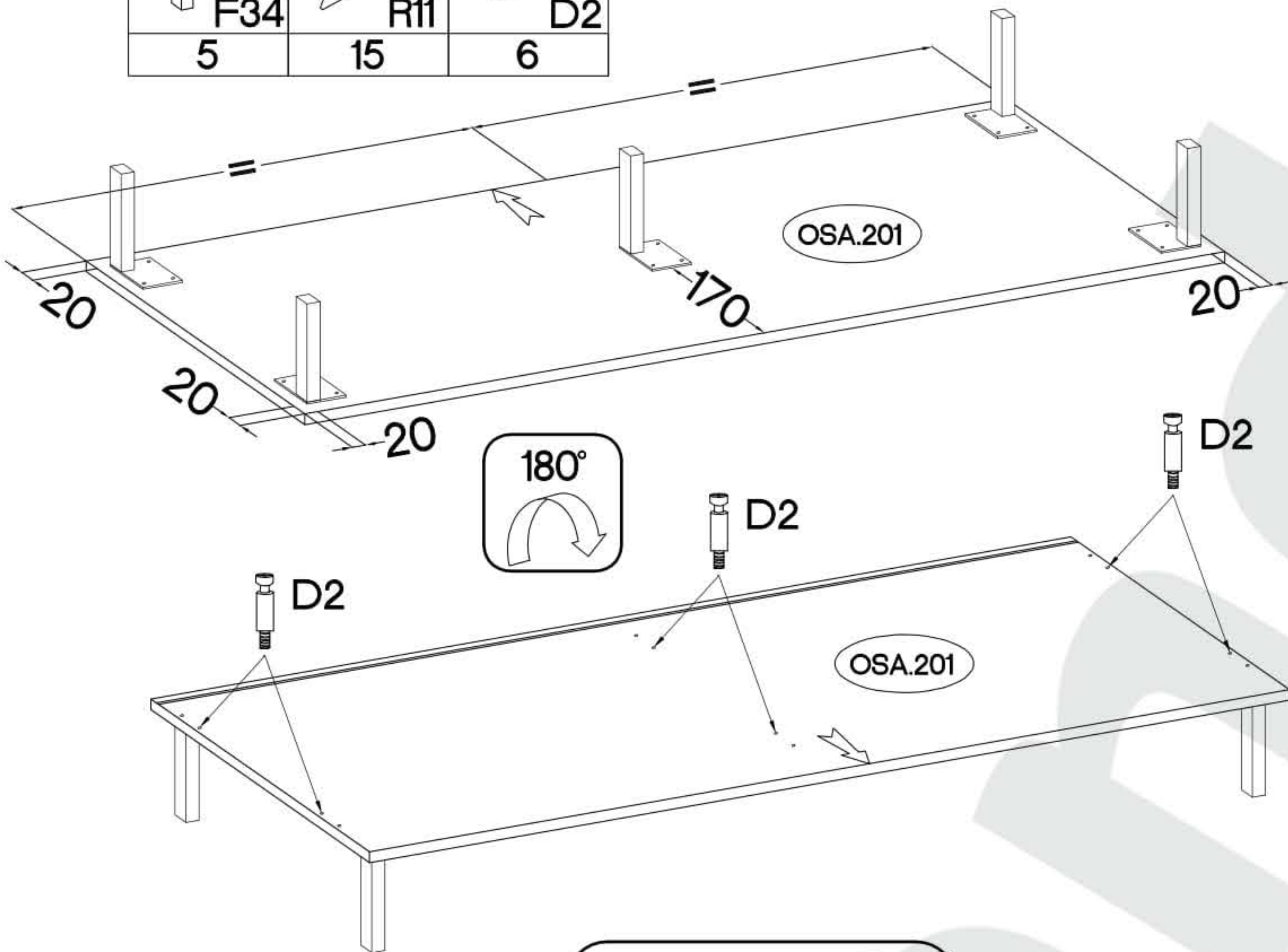
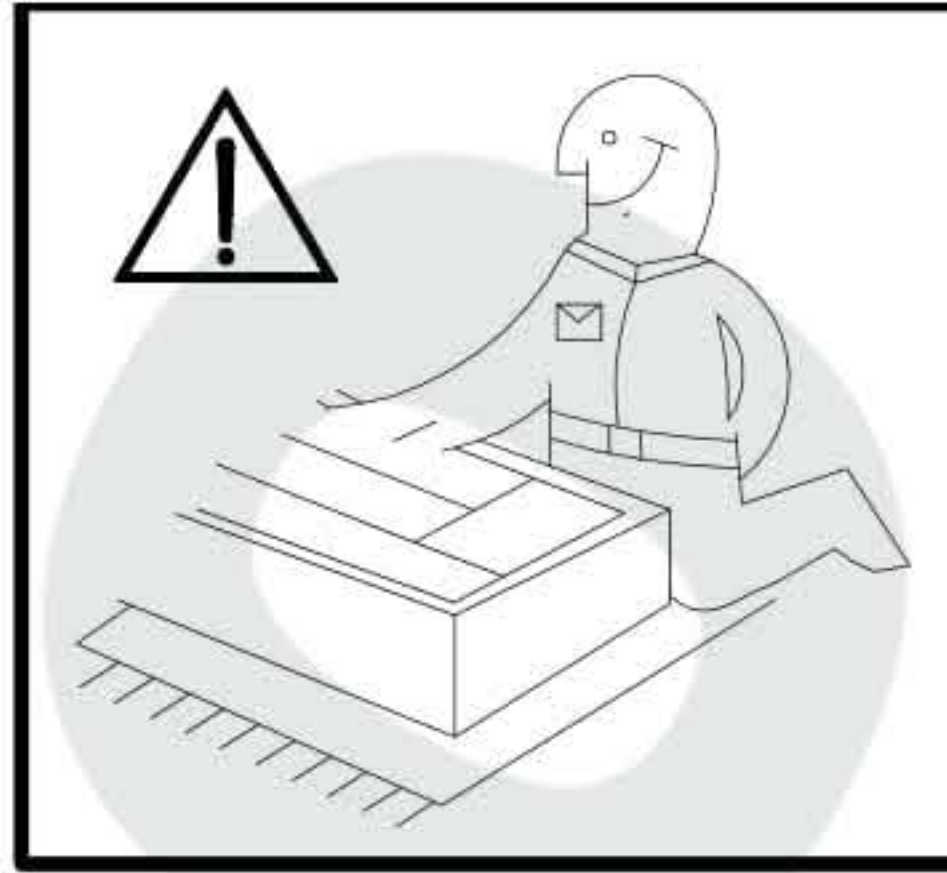
x2

†8x30mm	†15/12mm	L=20mm	27/310mm	†6,3x13mm	†6.3x20mm	†20/8mm
A	C	D2	I4	M2	M3	J14
11	11	2	2	4	4	4

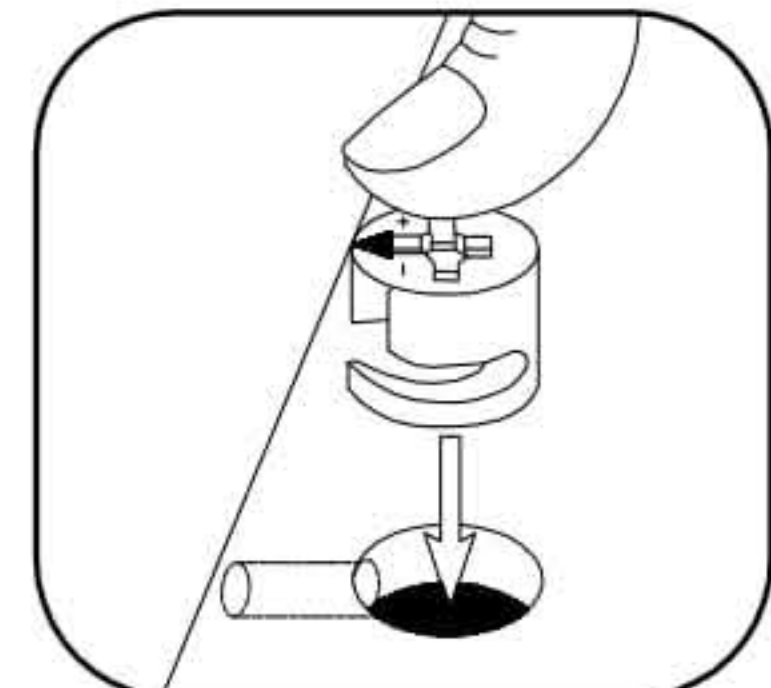
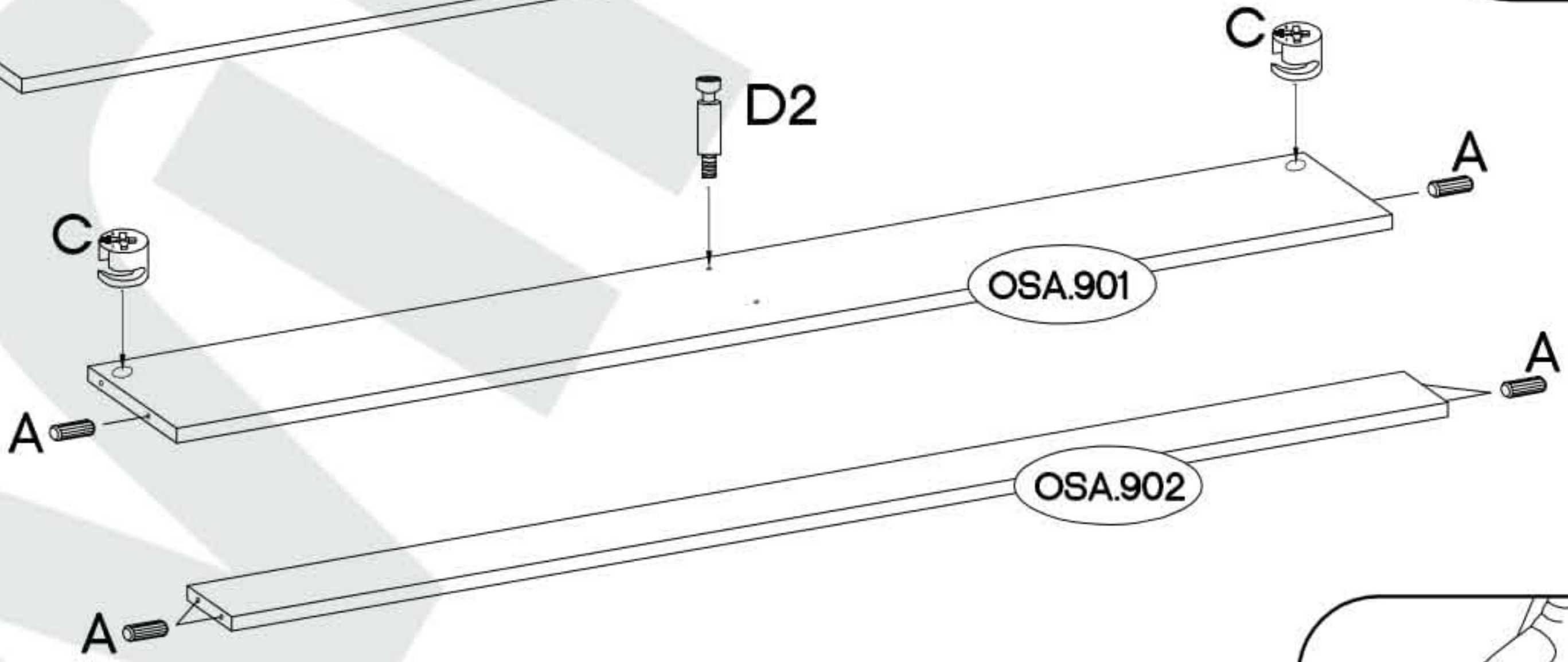
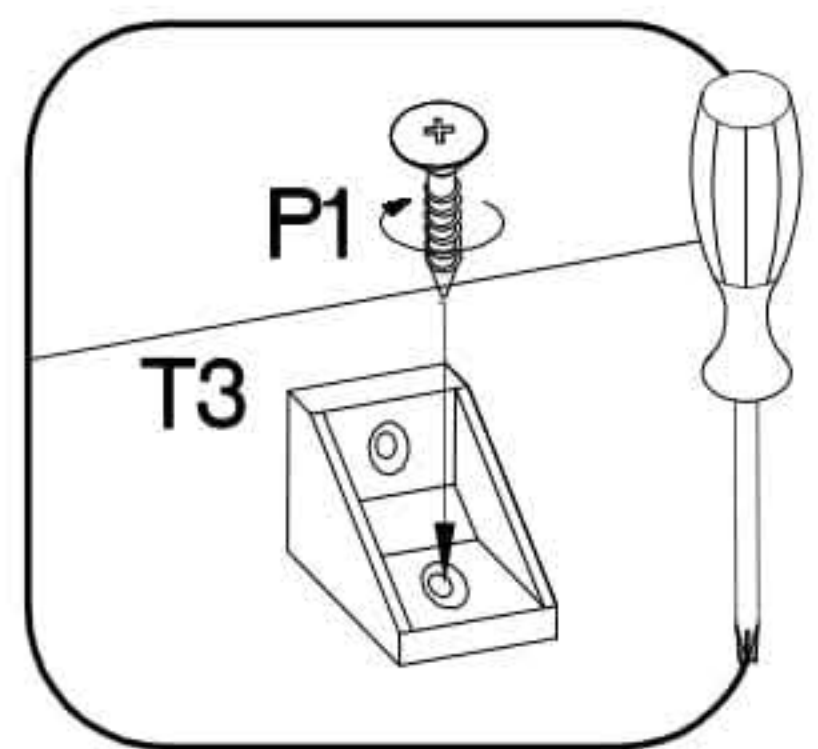
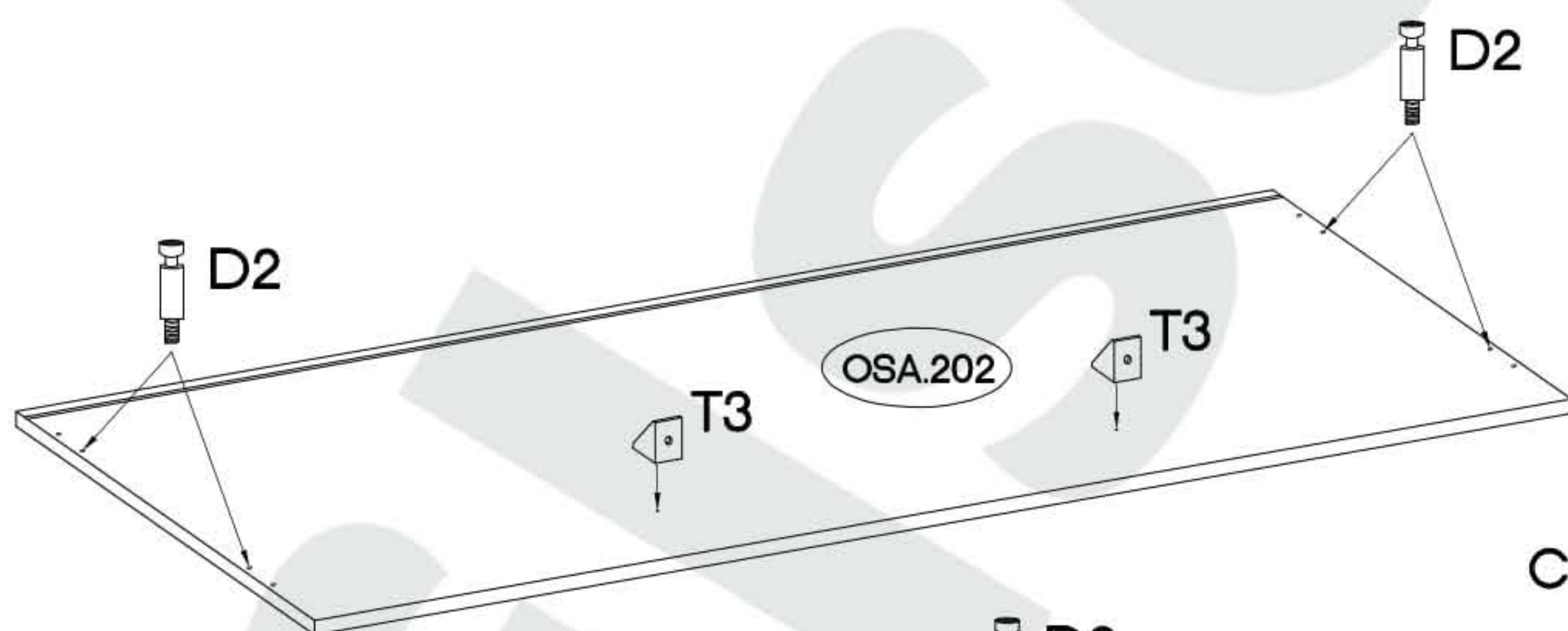
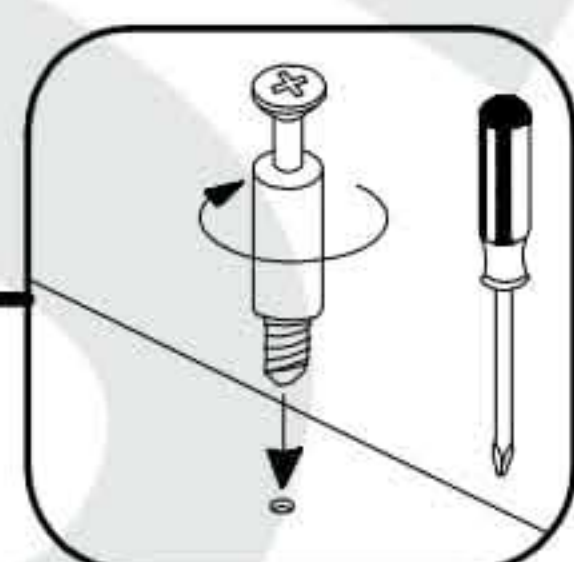
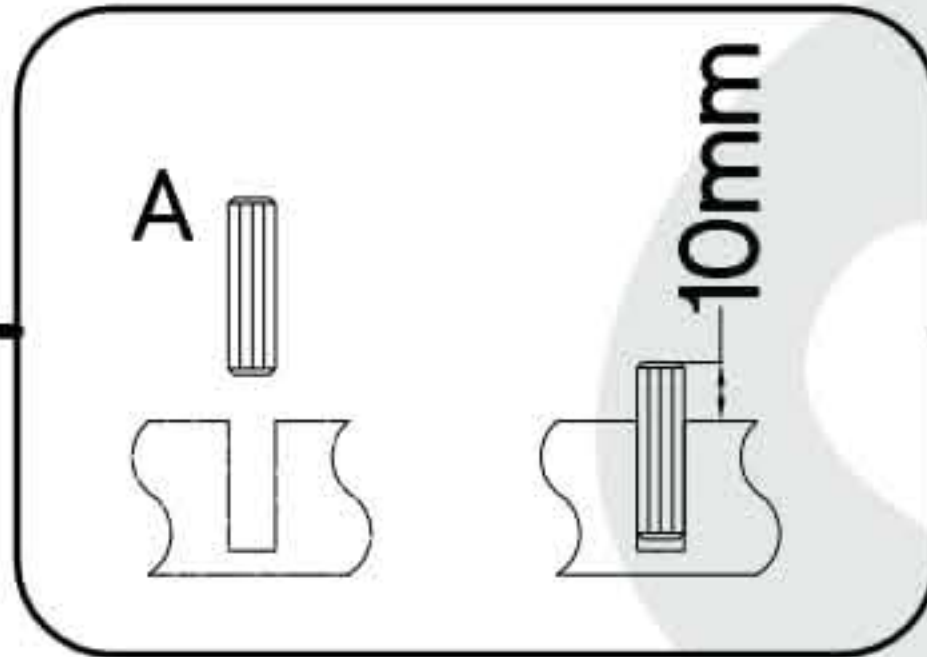







7

L=150mm  F34 5	φ4.0x16mm  R11 15	L=20mm  D2 6
---	--	---

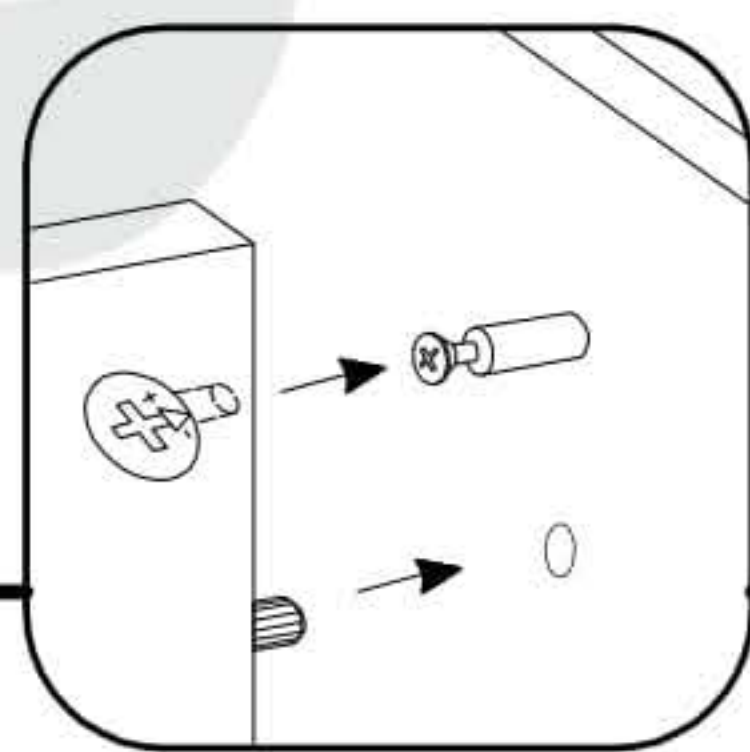
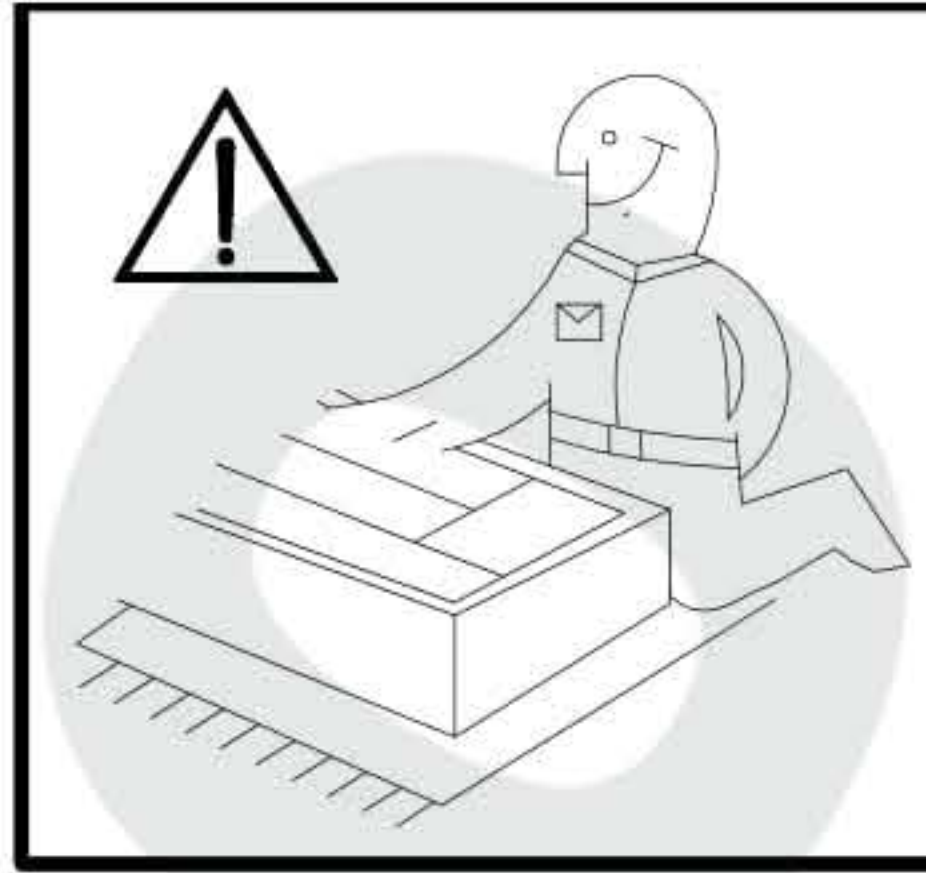
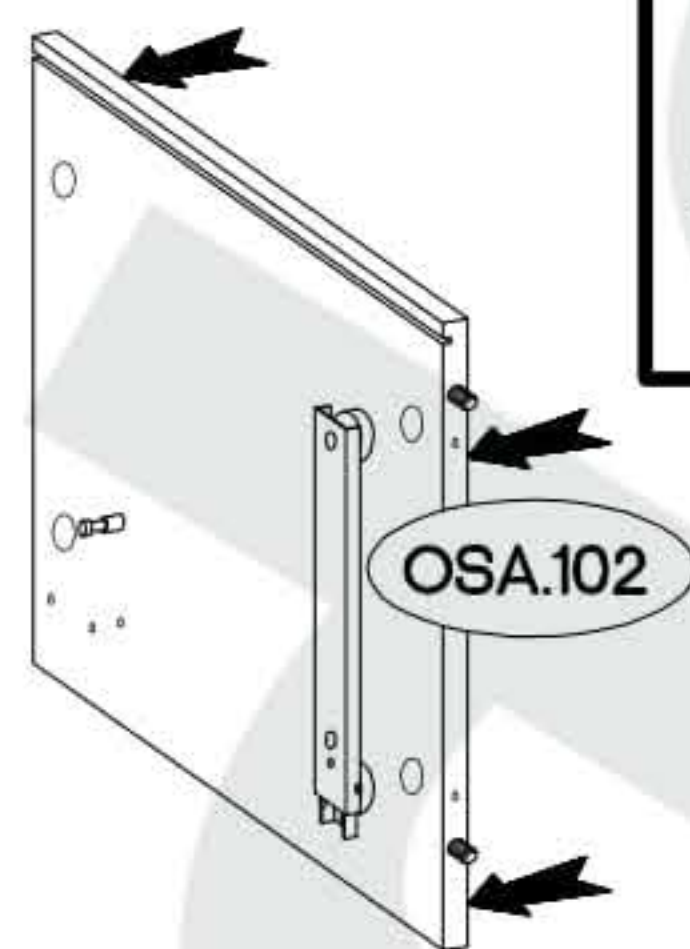
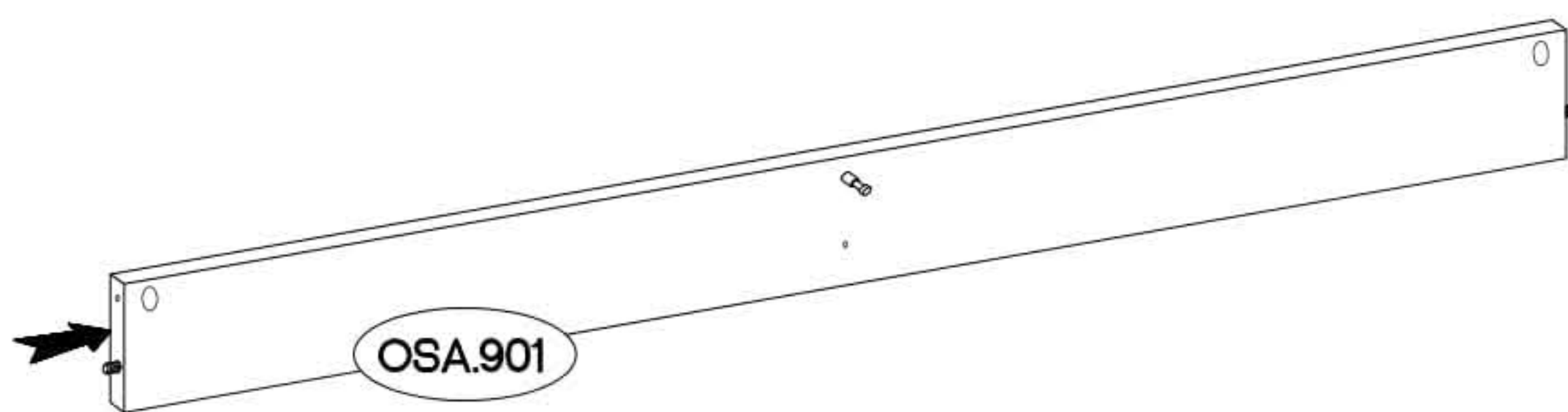


8

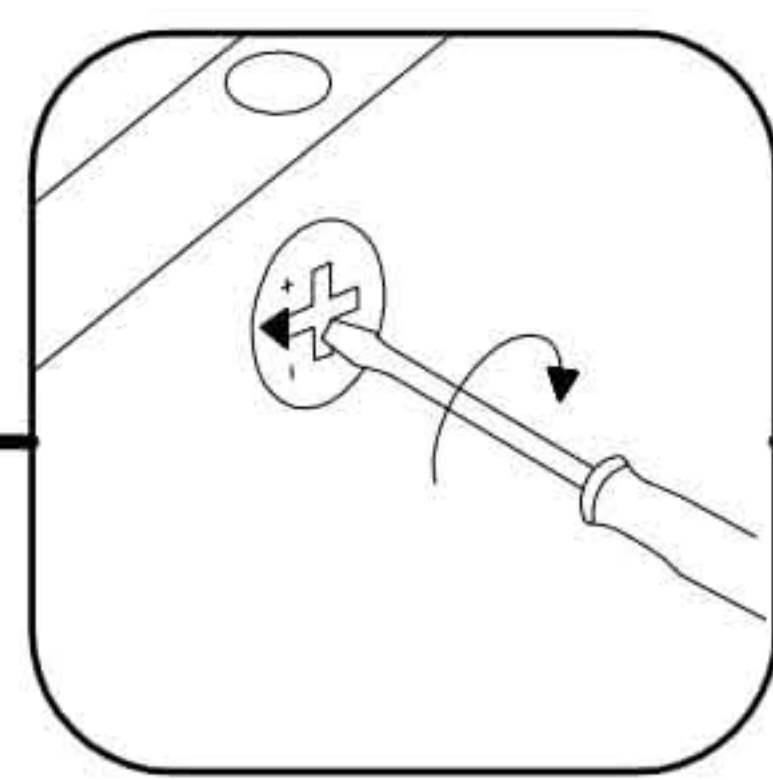
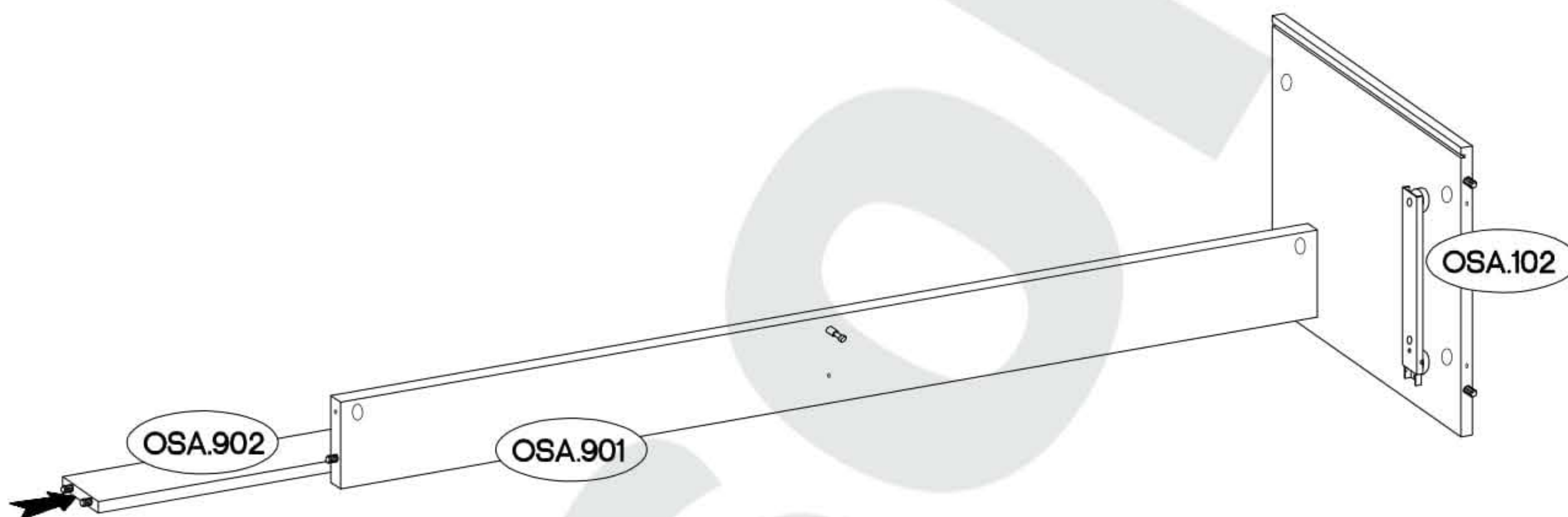


φ8x30mm  A 6	φ15/12mm  C 2	L=20mm  D2 5	 T3 2	φ4.0x16mm  P1 2
---	---	--	--	---

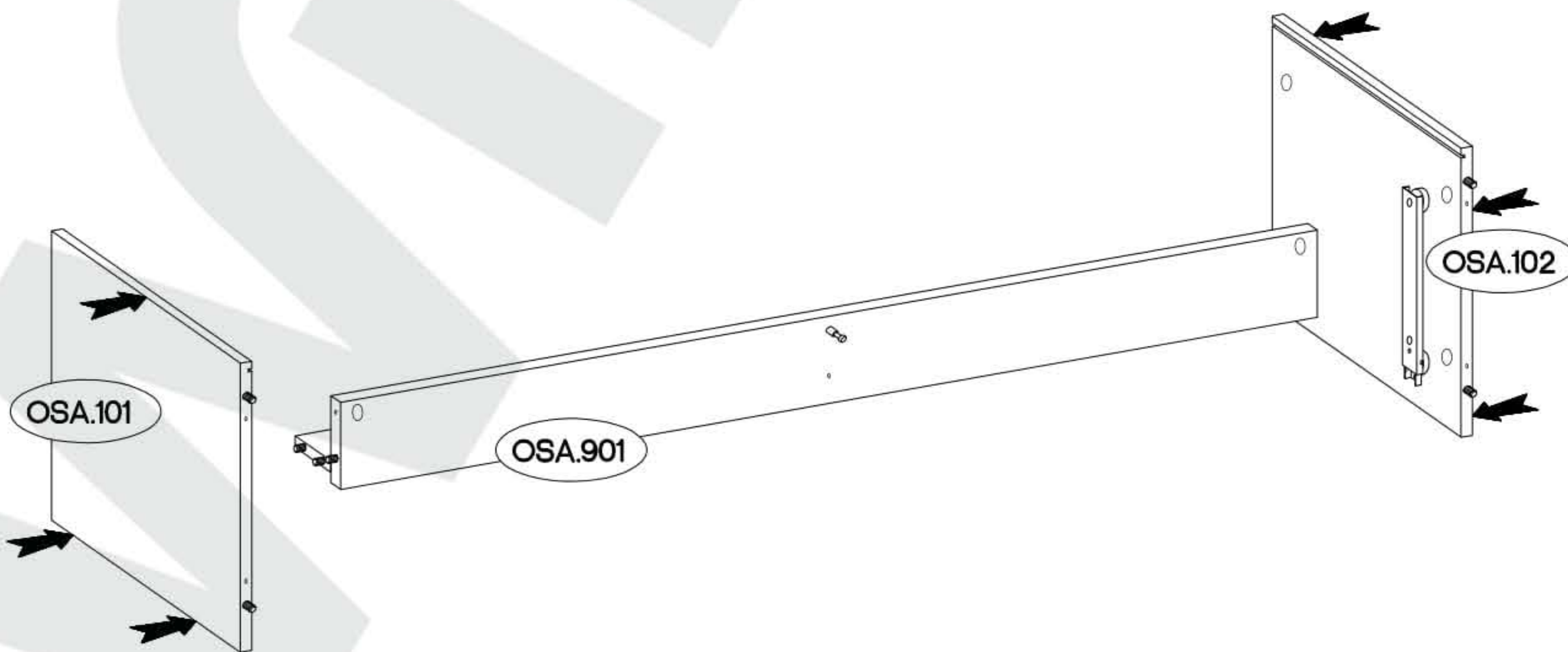
9



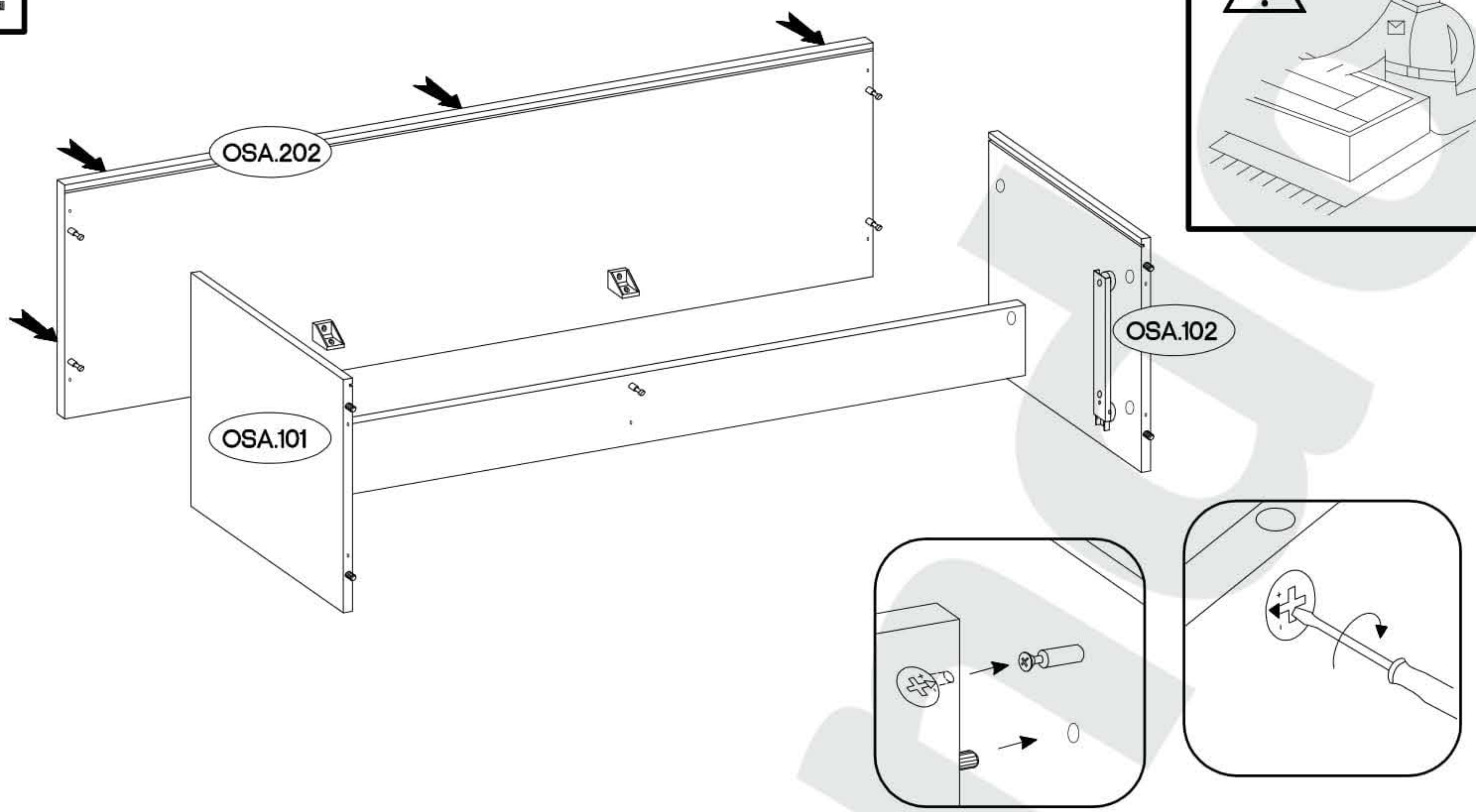
10




11

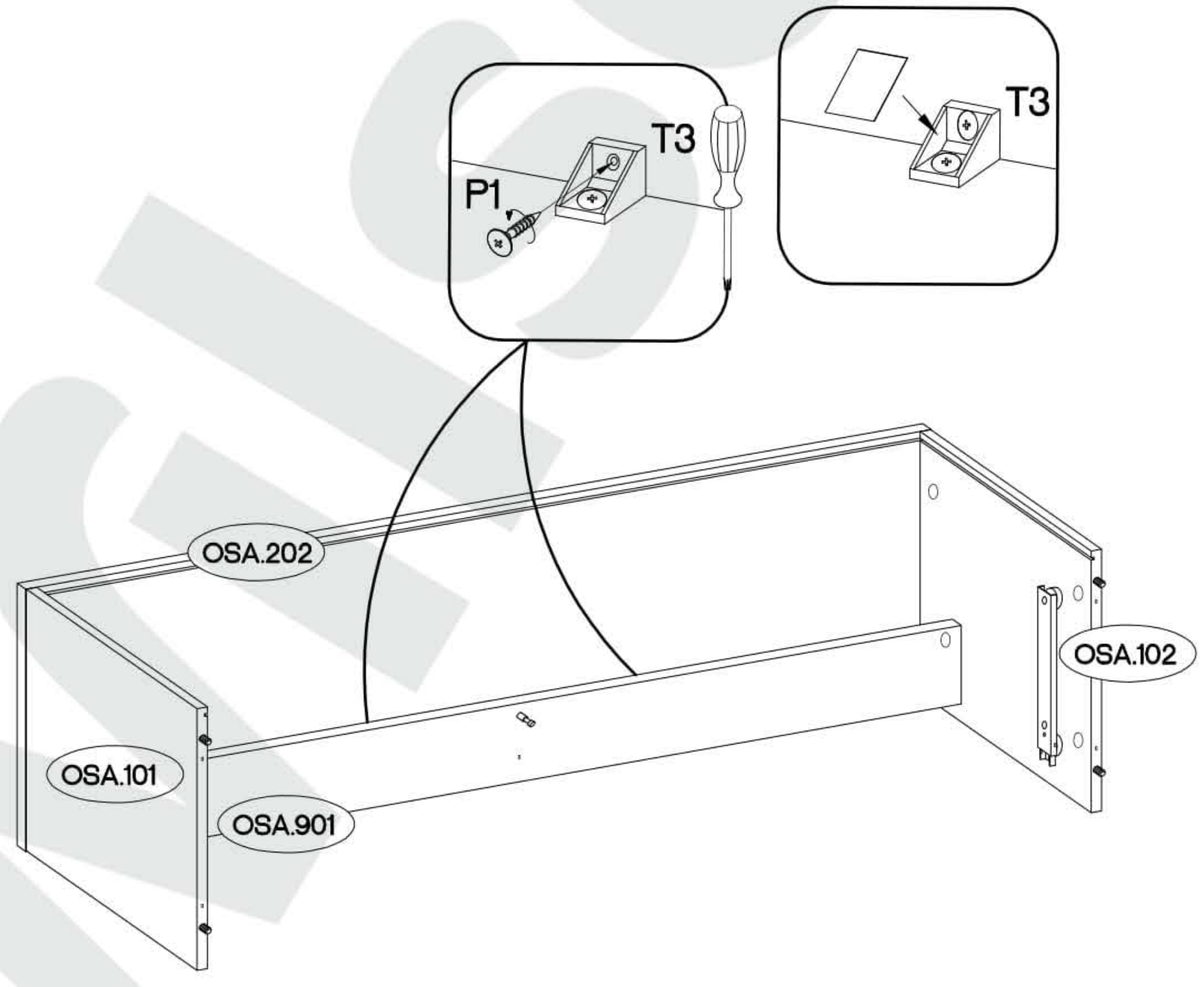


12



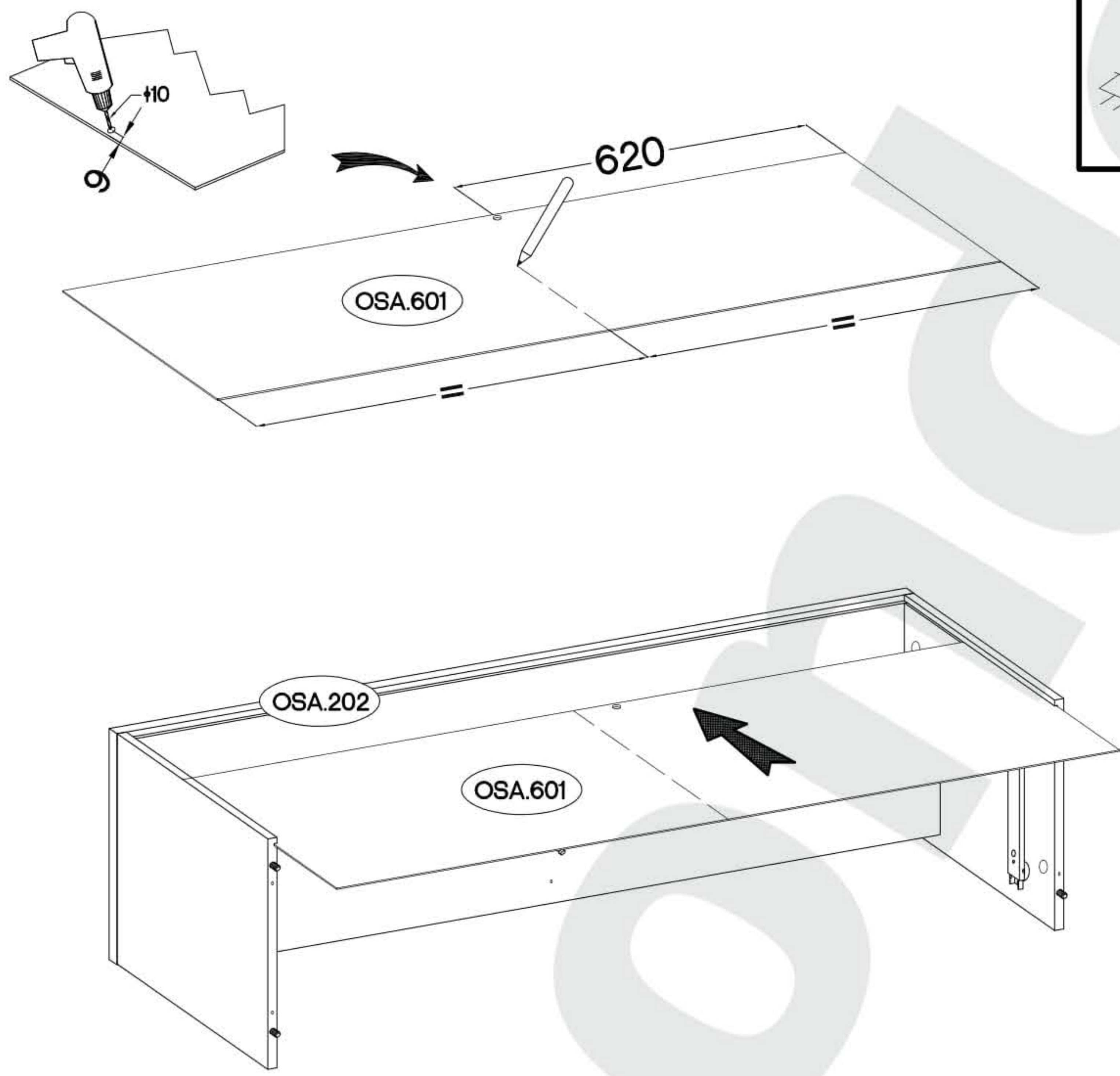
13

↑4.0x16mm

P1
2

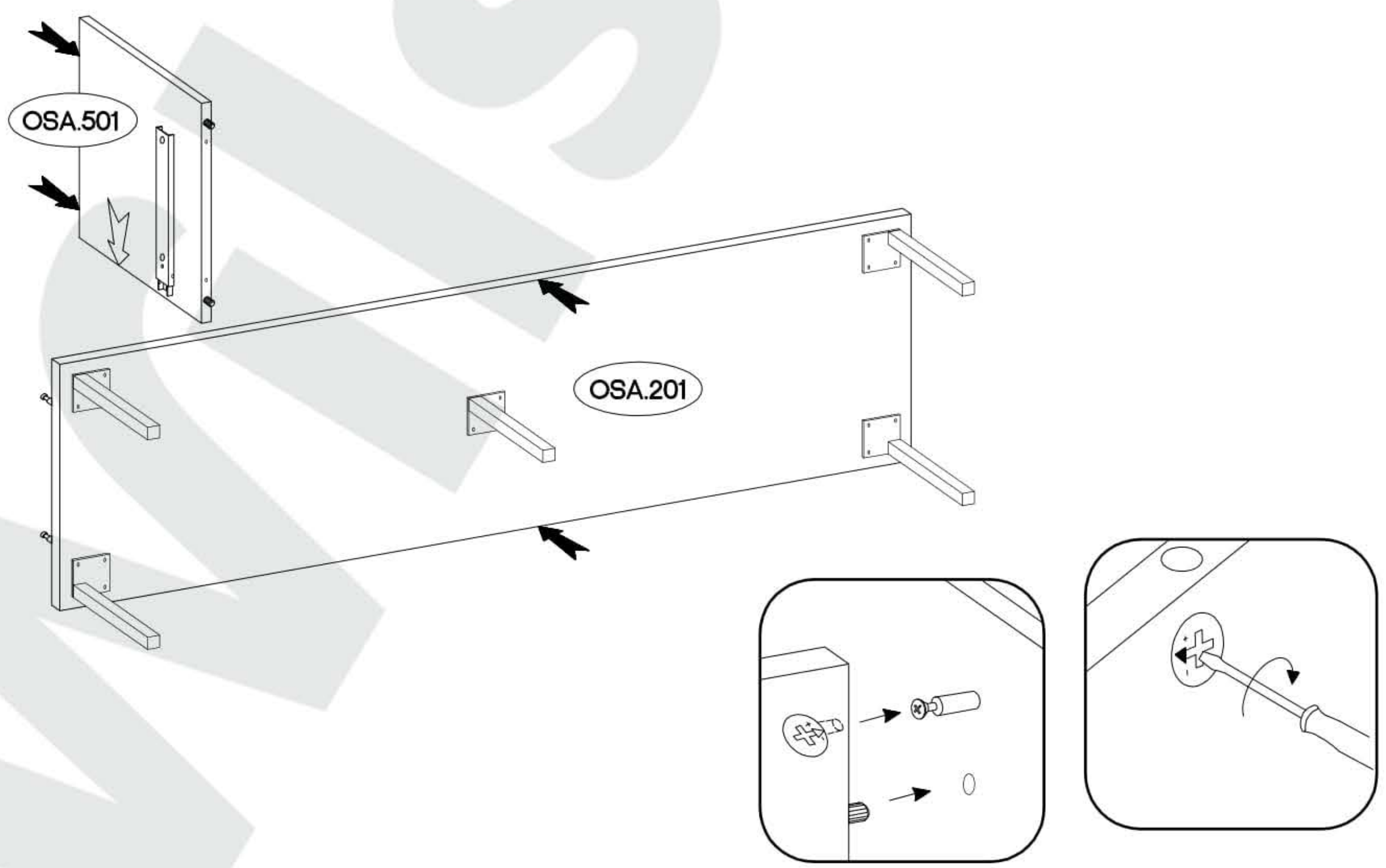



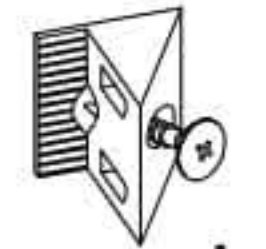


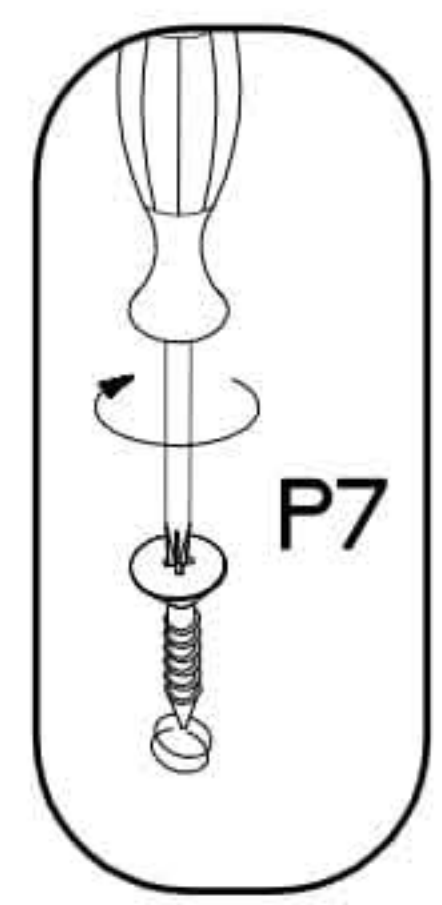
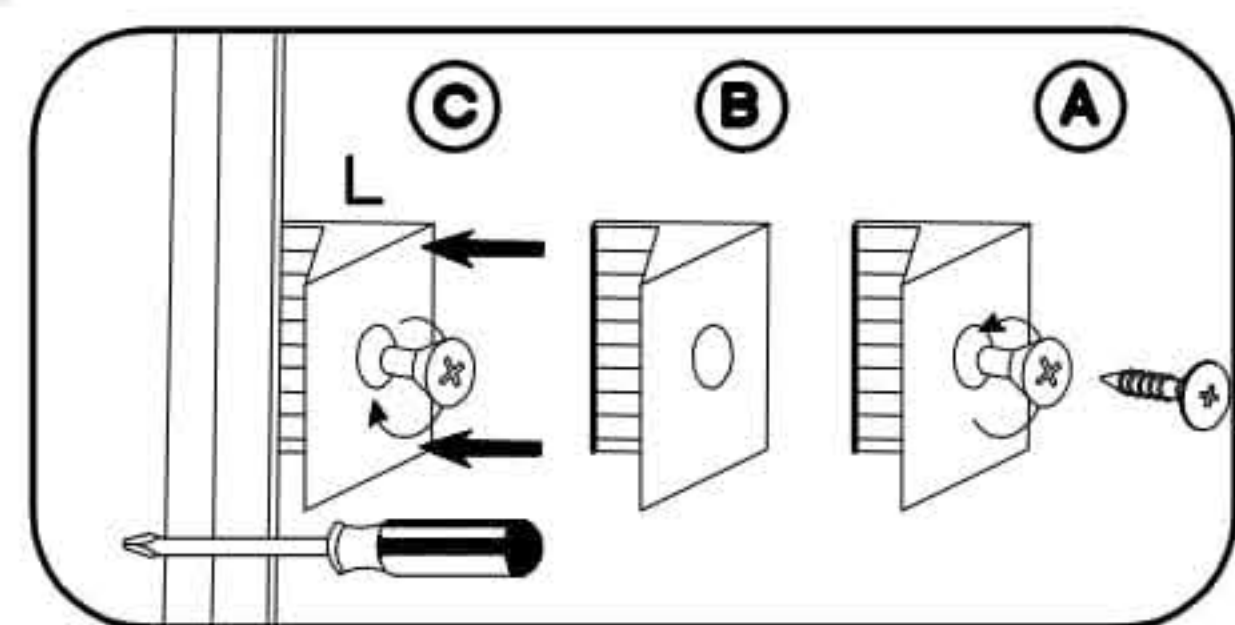
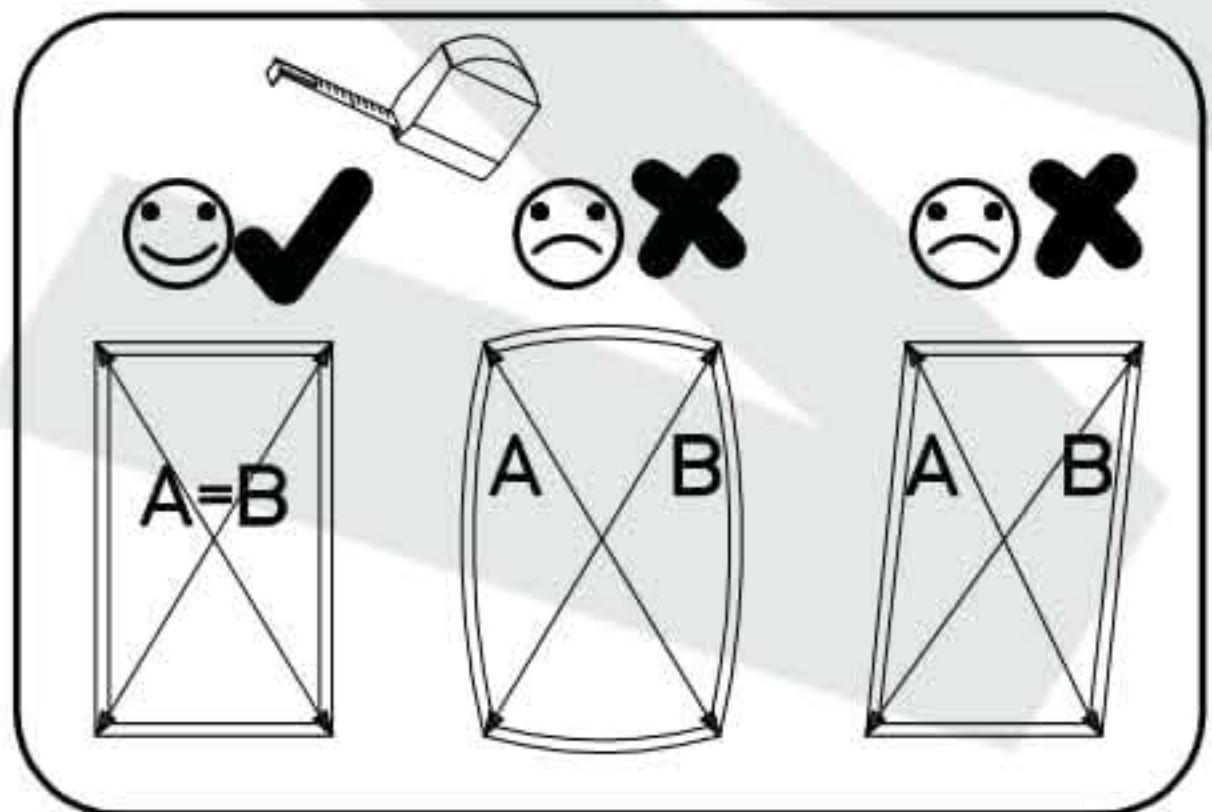
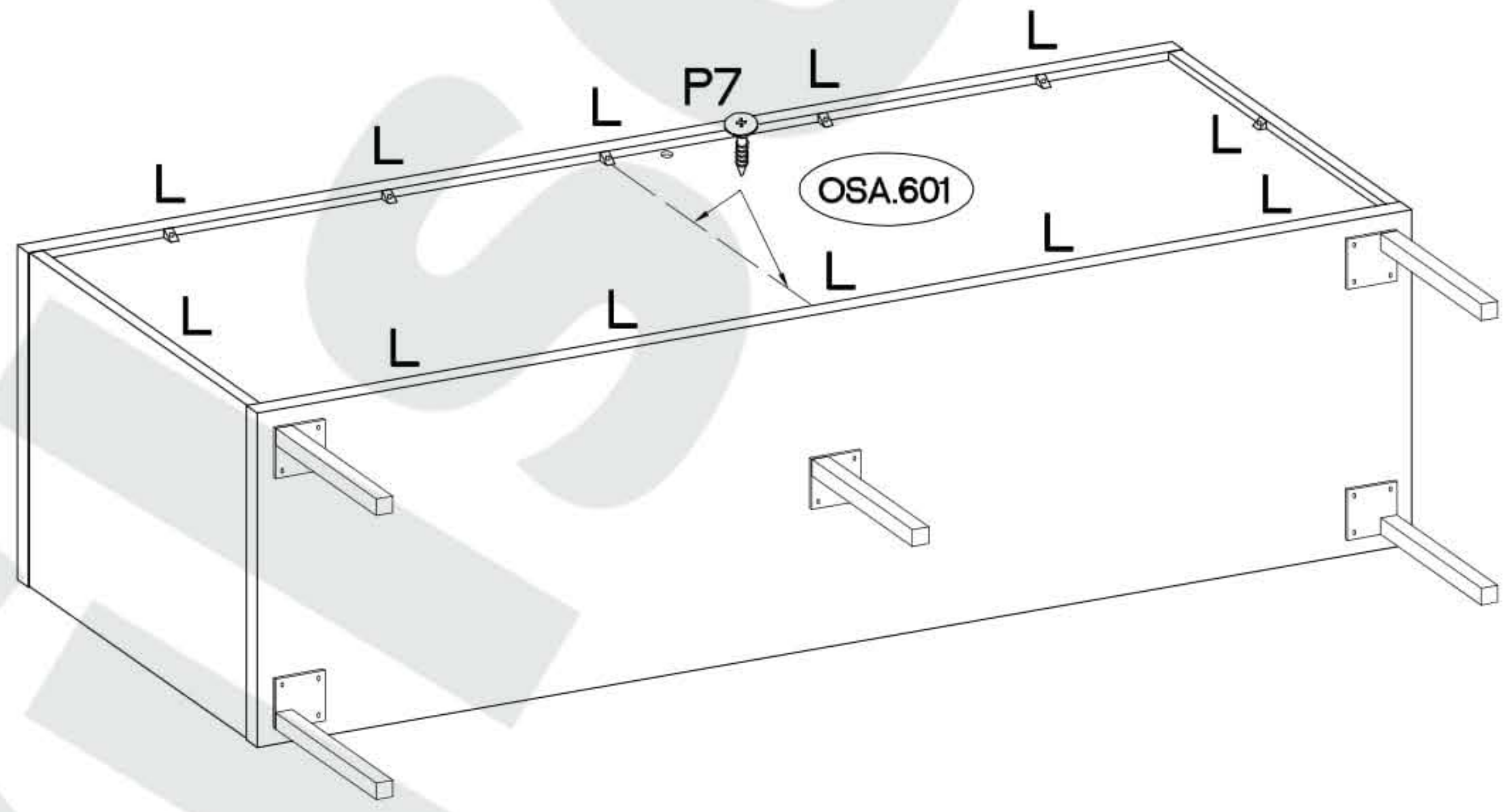
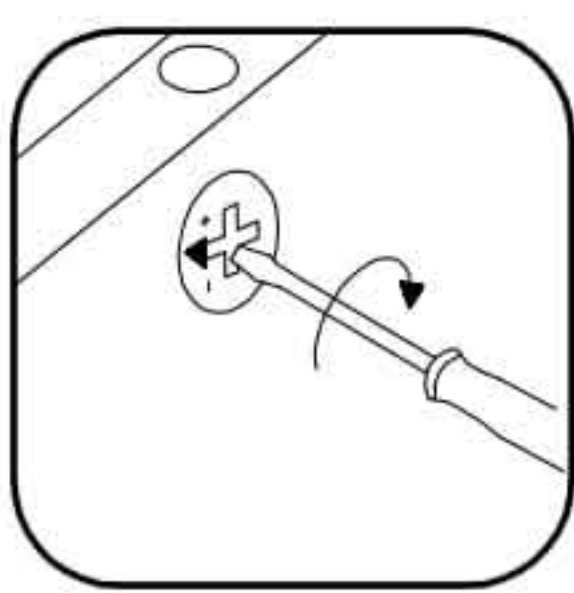
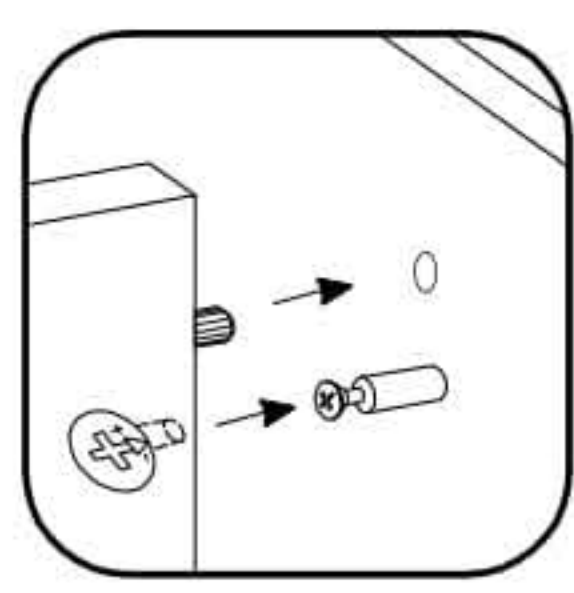
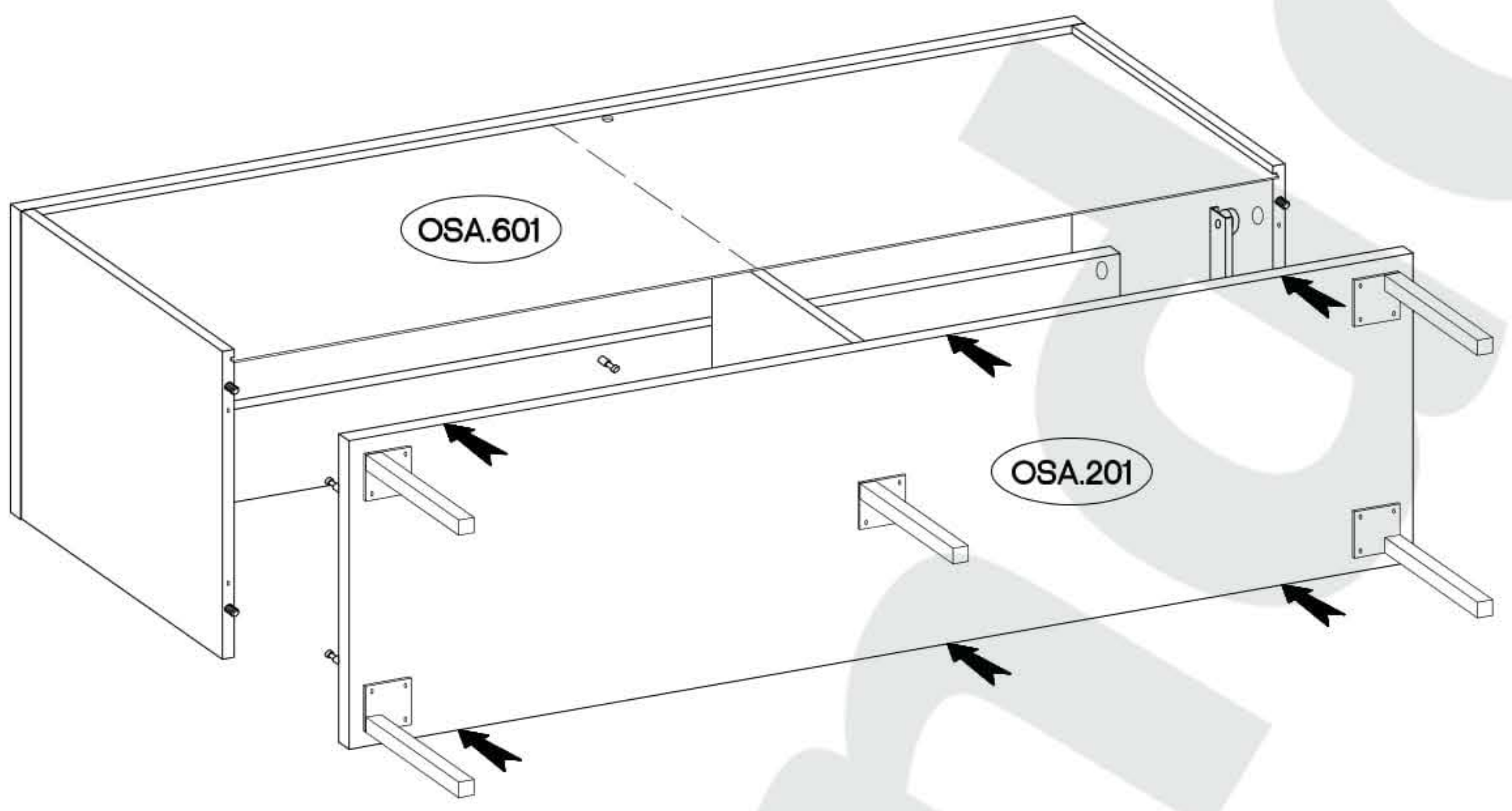
14






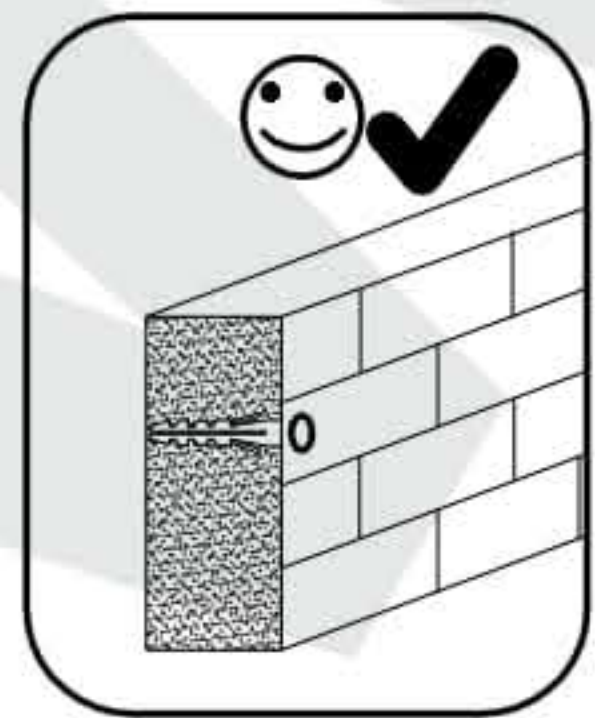
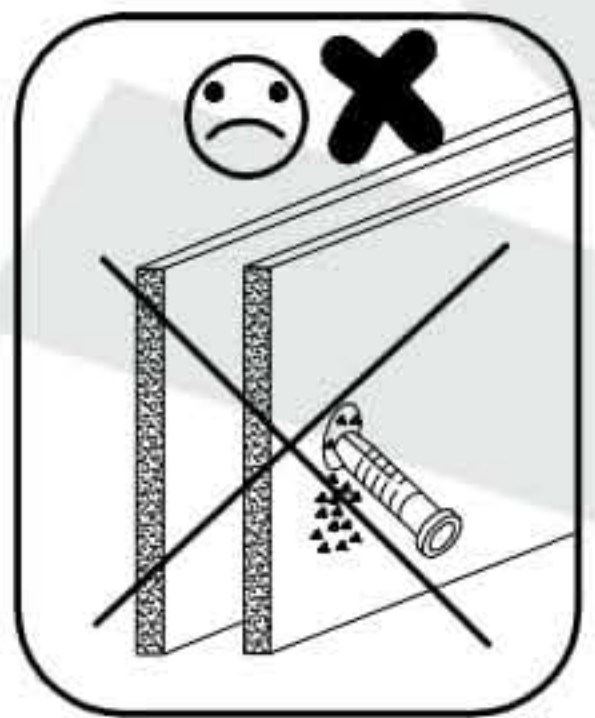
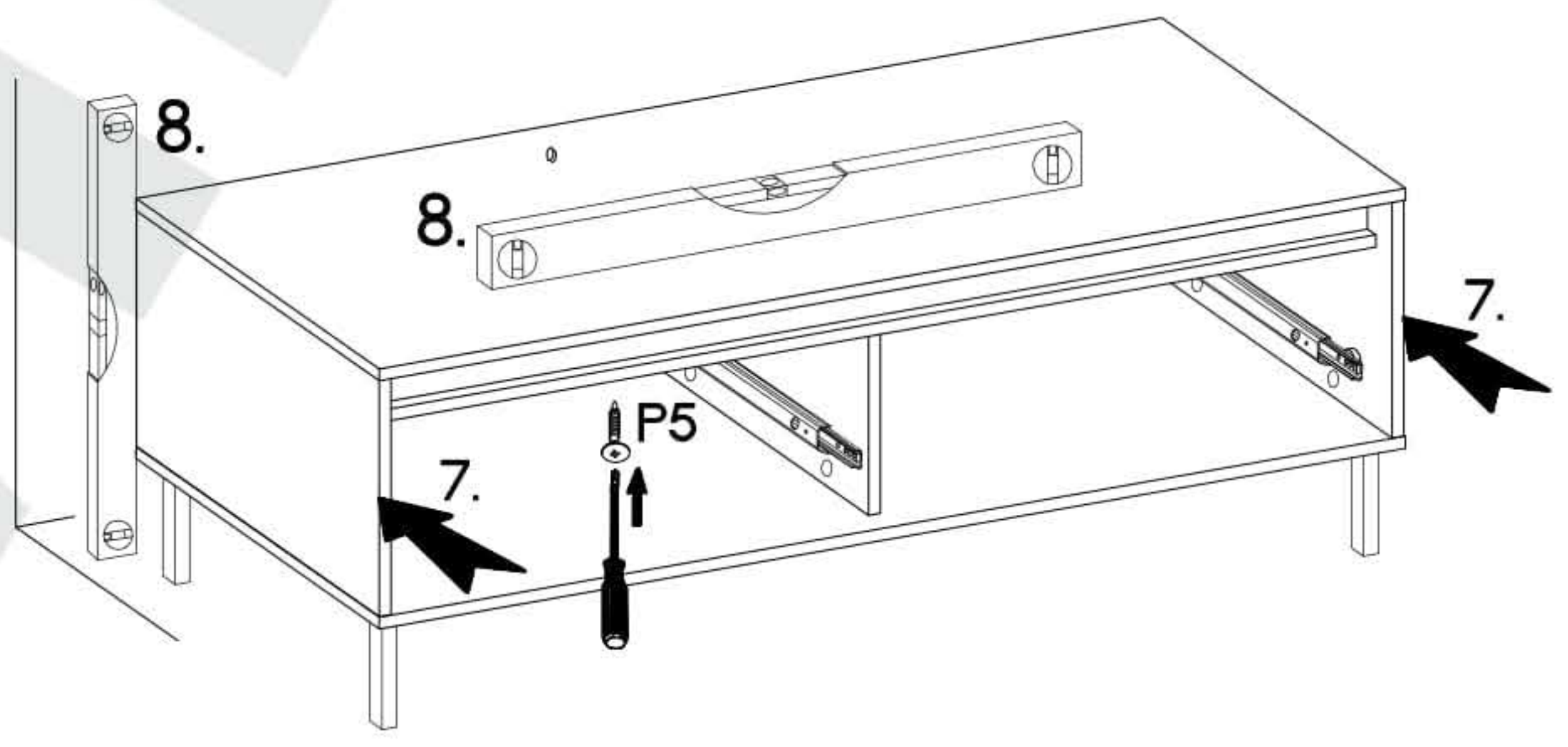
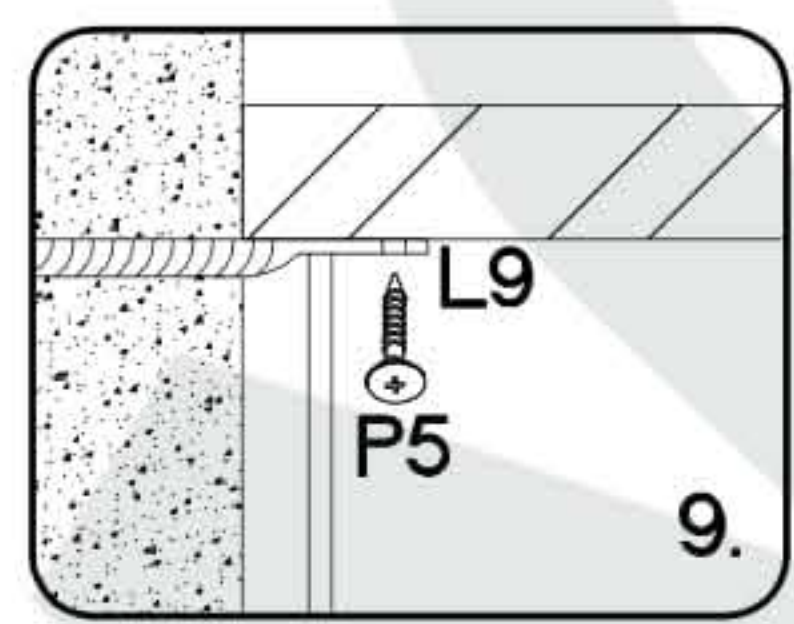
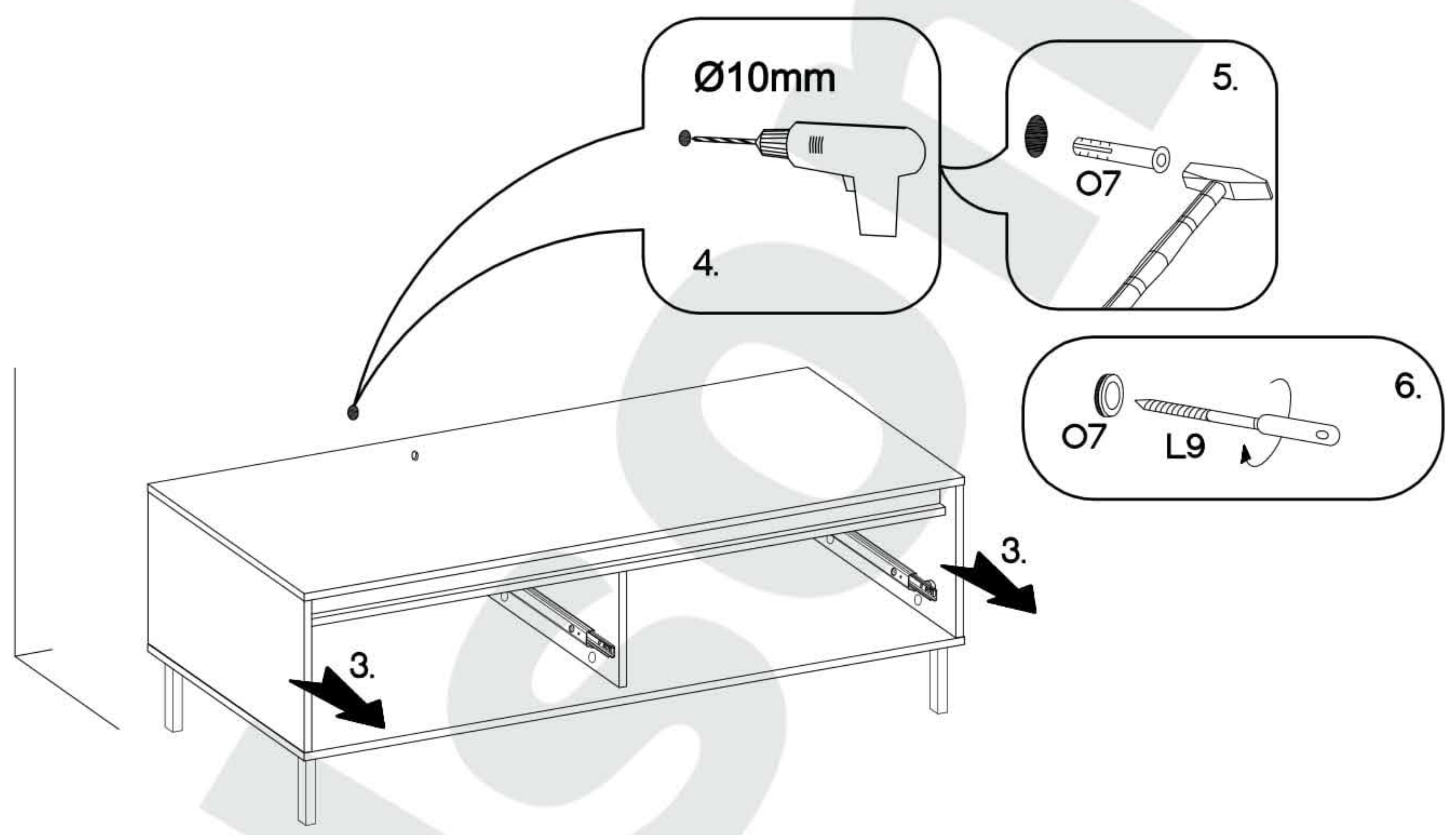
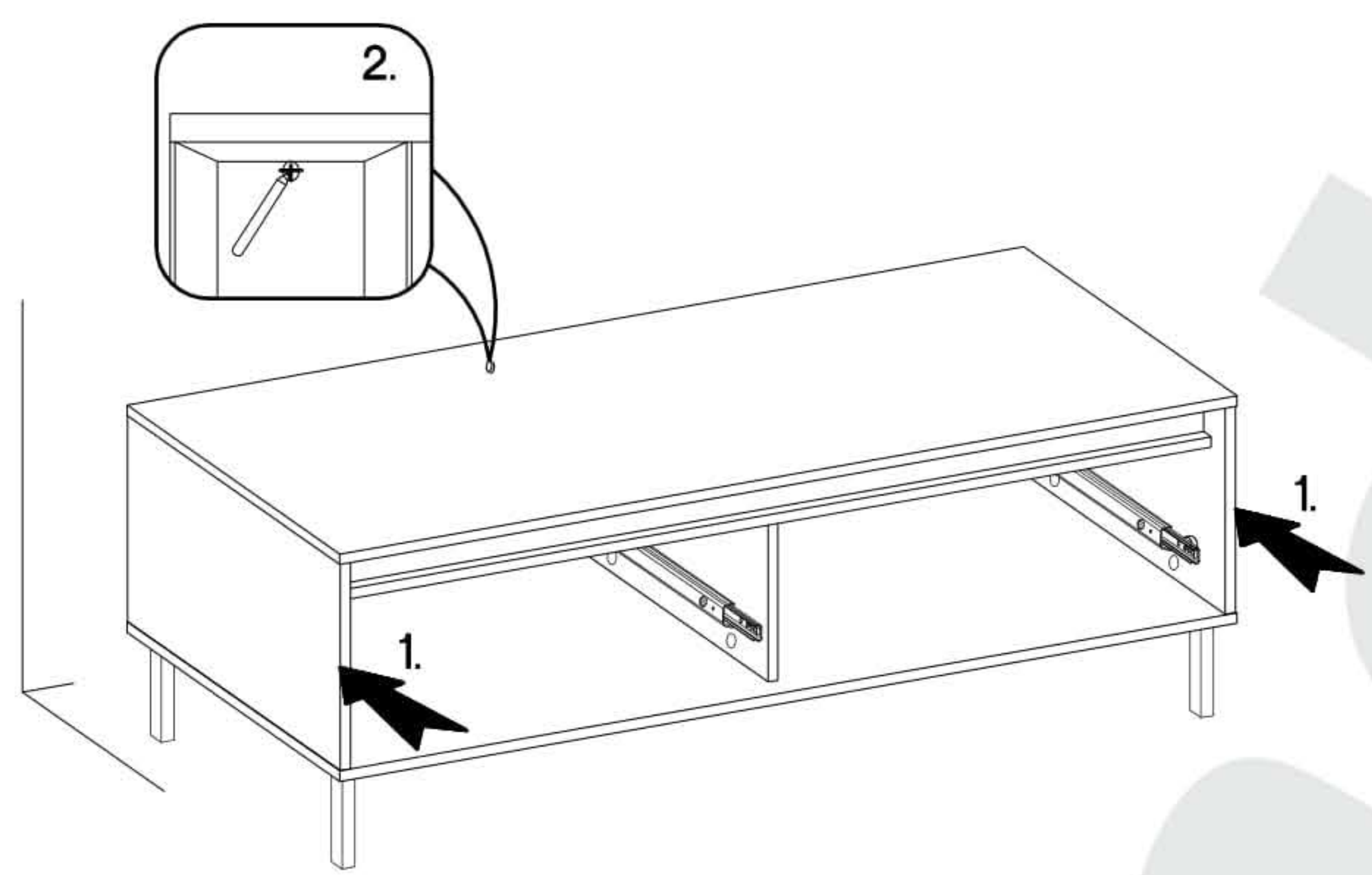
15





±3.0x20mm		
	P7	L
	2	12



Ø10x50mm  O7 1	 L9 1	Ø3.5x13mm  P5 1
--	---	---



M4x9mm	±7/2mm
 U1	 J5
4	4

