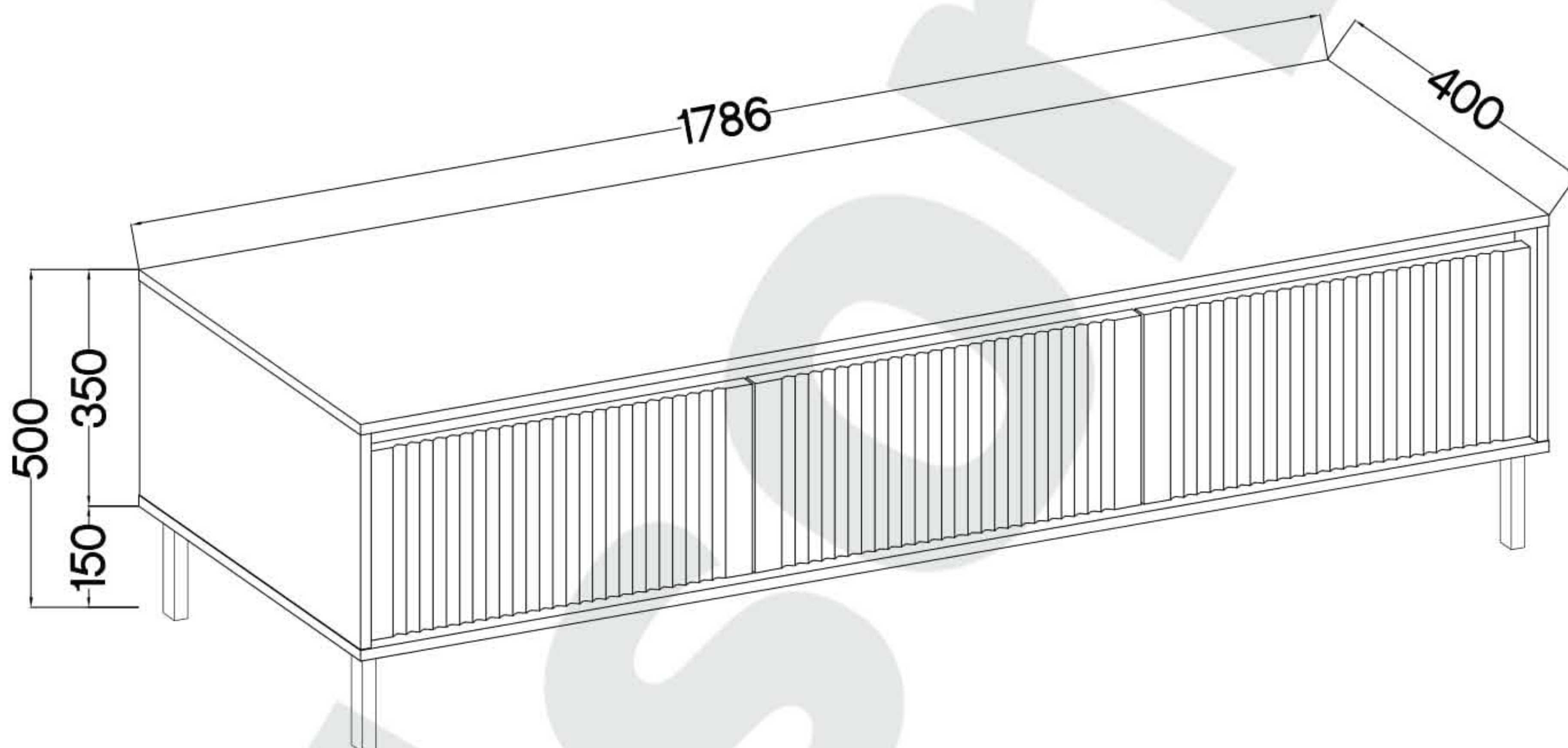


90 min

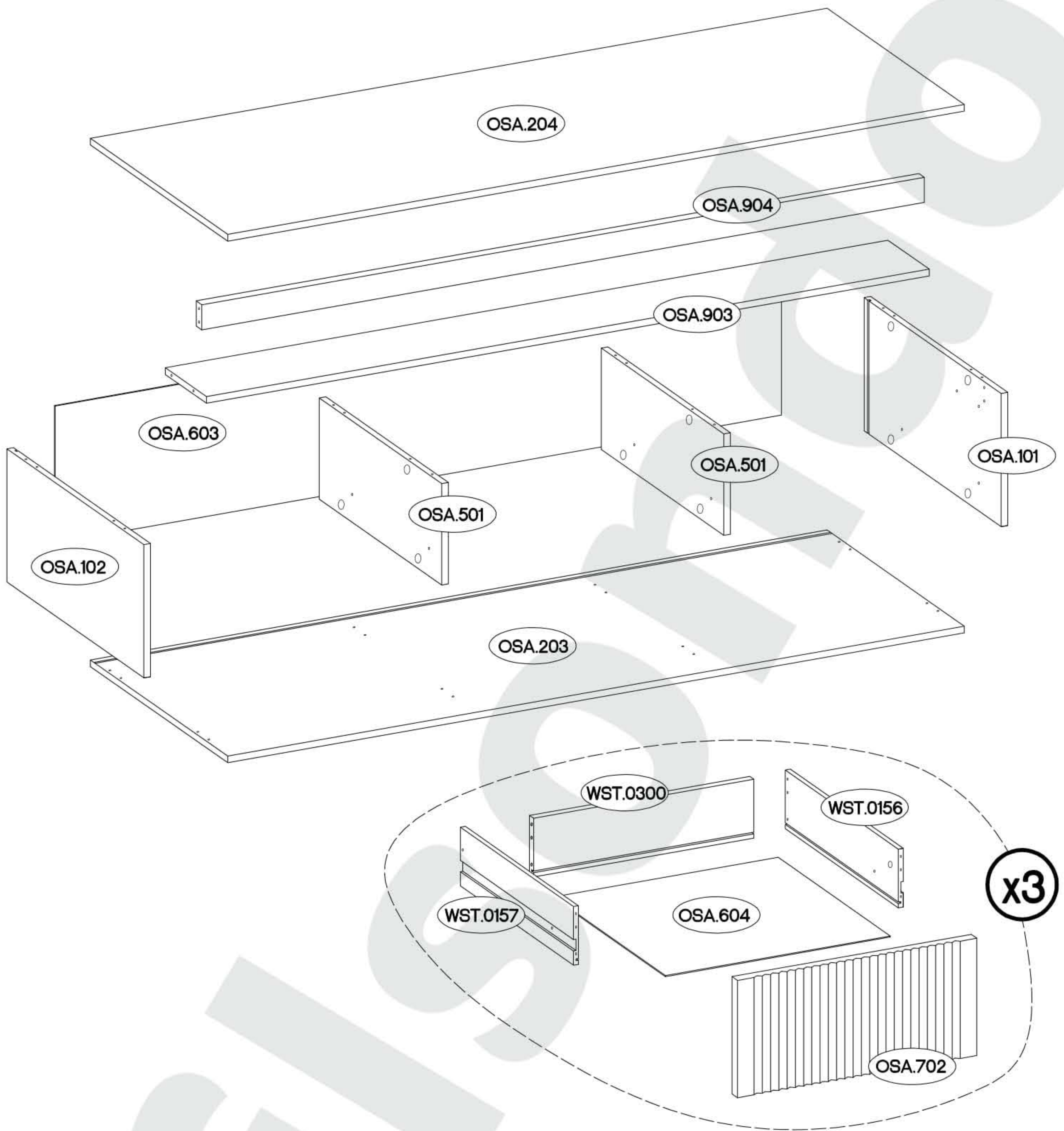
TYP 303



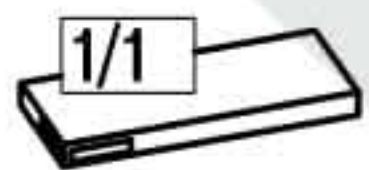
↑8x30mm  A 44	↑6x42mm  B2 6	↑15/12mm  C 16	↑12/10mm  C5 6	L=20mm  D2 22	L=150mm  F34 5	27/310mm  I4 3	↑7/2mm  J5 6	↑20/8mm  J14 4		
 L 26	 L9 1	↑6,3x13mm  M2 8	↑6,3x20mm  M3 4	↑10x50mm  O7 1	↑4,0x16mm  P1 6	↑3,5x13mm  P5 1	↑3,0x20mm  P7 4	↑4,0x16mm  R11 15	 T3 3	M4x9mm  U1 6

ISM-OSA-002





	Ersatzteil Nummer	Dimension
	OSA.101	318x399x16
	OSA.102	318x399x16
	OSA.501 x2	242x357x16
	OSA.203	1786x400x16
	OSA.204	1786x400x16
	OSA.903	1752x120x16
	OSA.904	1752x60x16
	OSA.603	1761x327x2,5
	OSA.604 x3	545x327x2,5
	WST.0156 x3	330x140x12
	WST.0157 x3	330x140x12
	WST.0300 x3	534x140x12
	TKO.702 x3	280x580x16




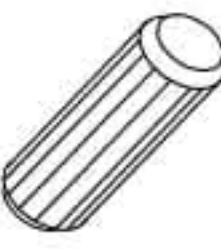
OSA.204



OSA.604

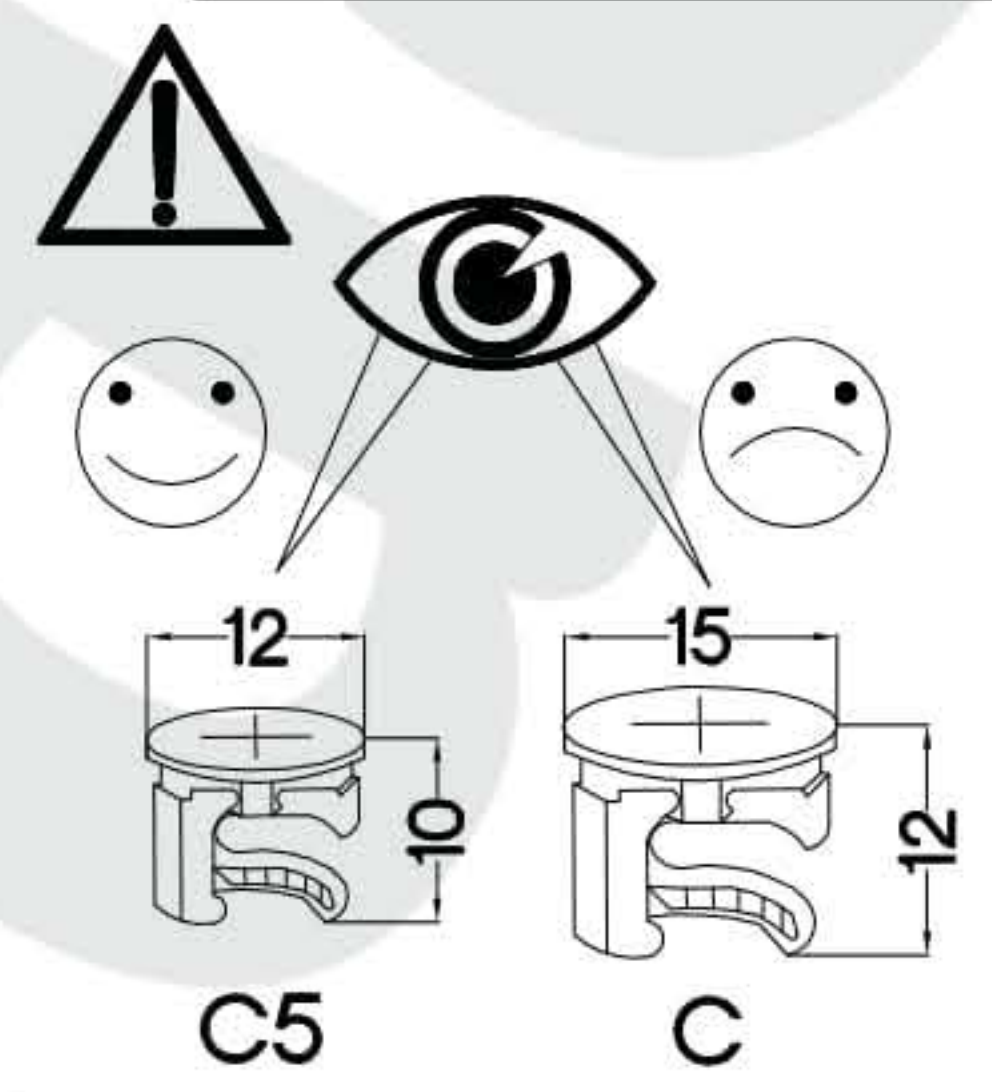
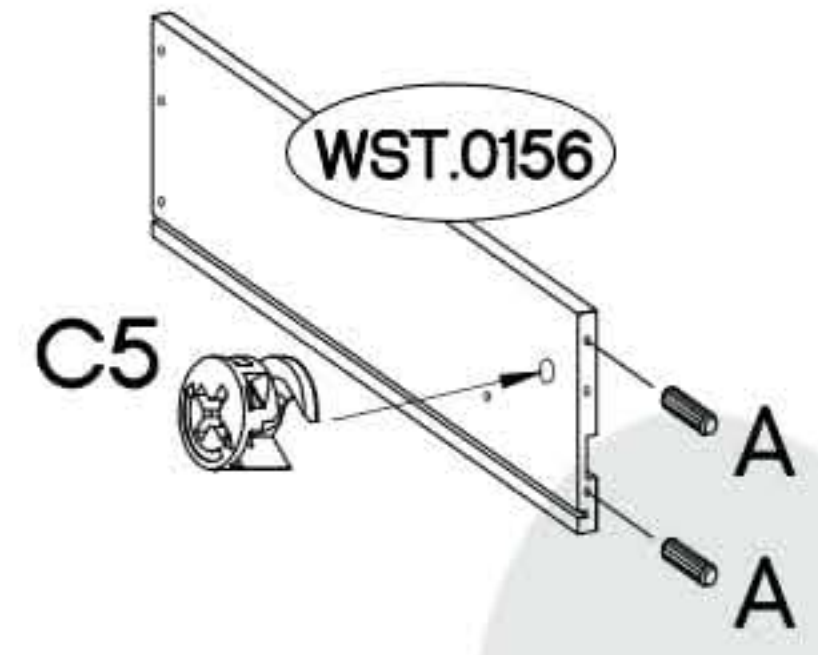
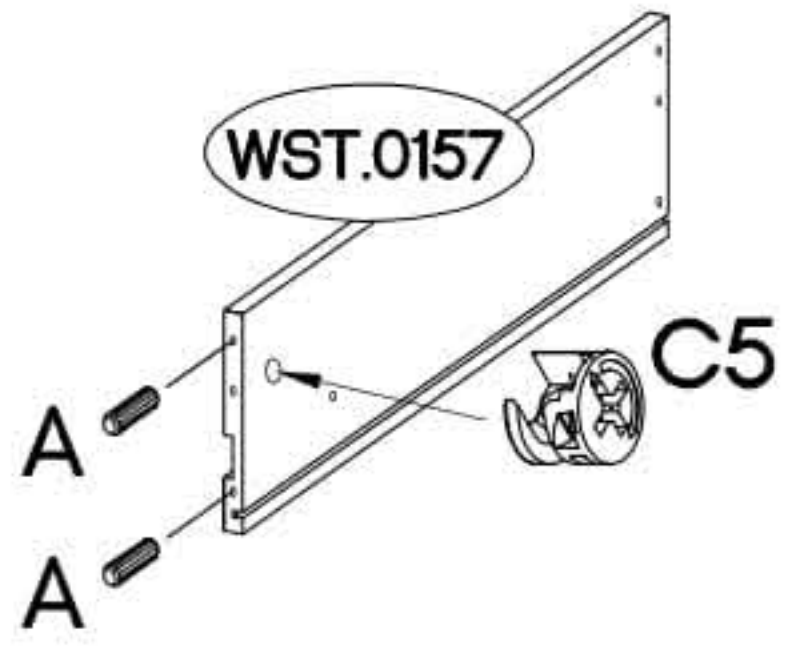
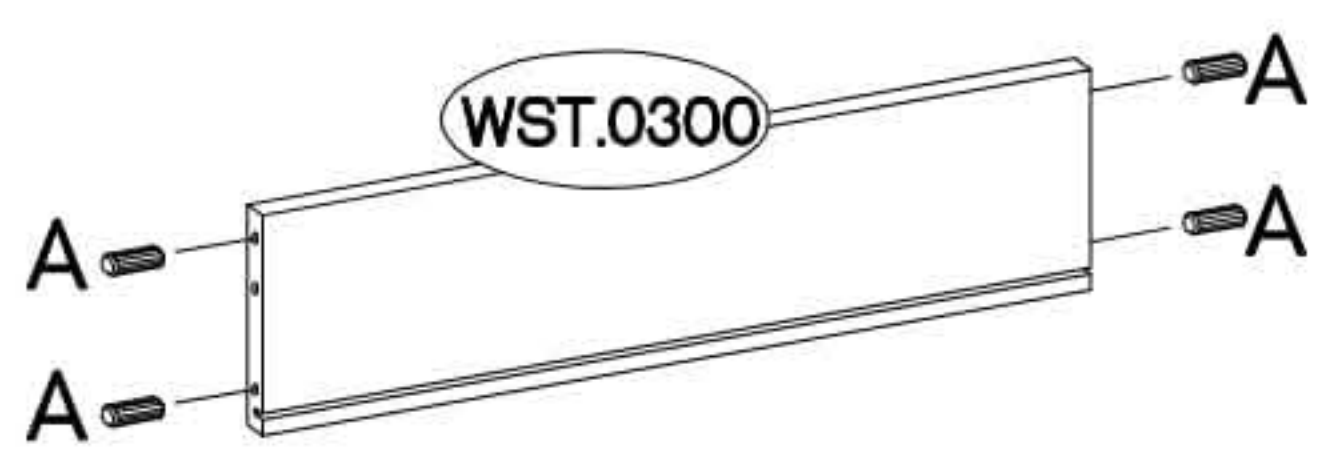


1

±12/10mm  C5 6	±8x30mm  A 24
---	--




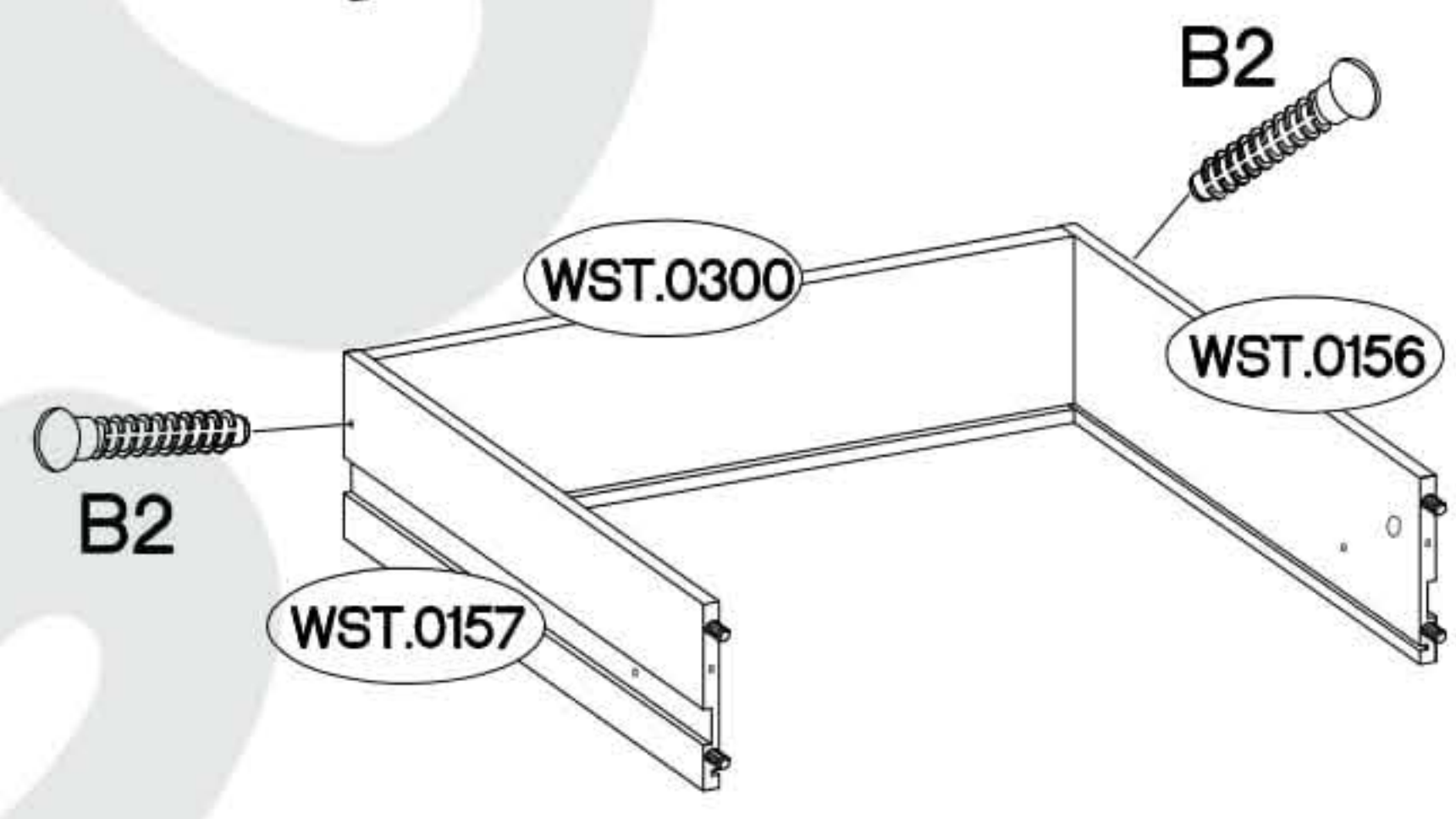
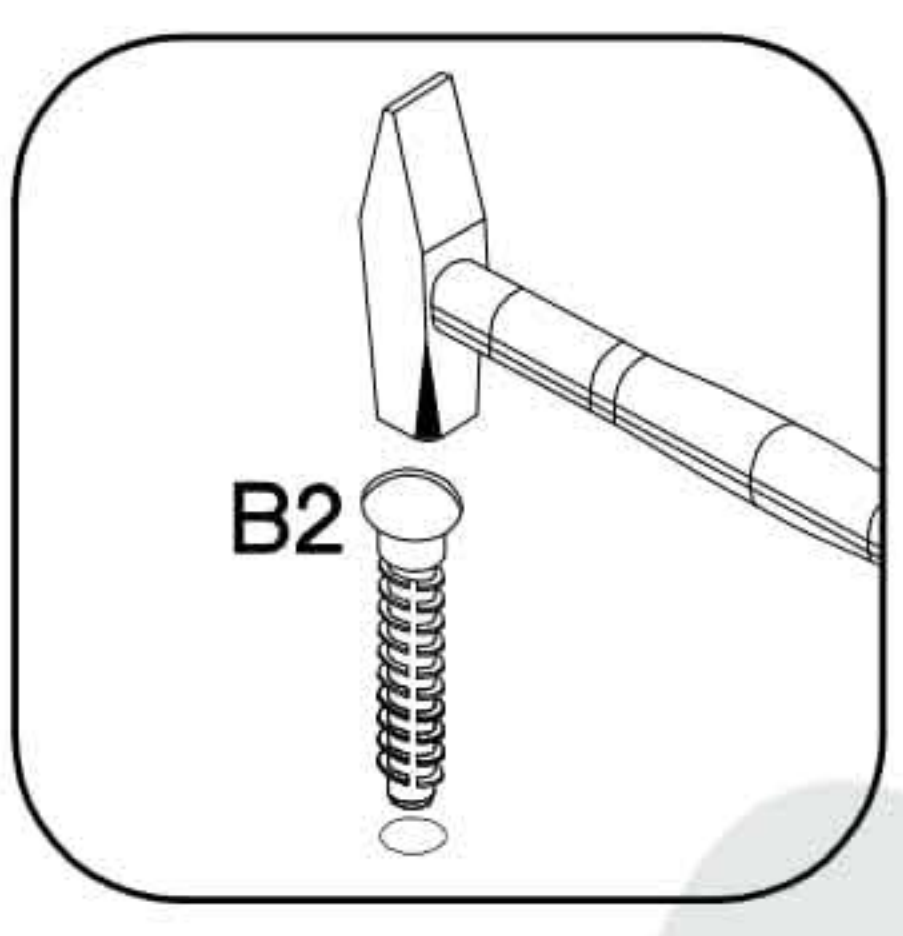
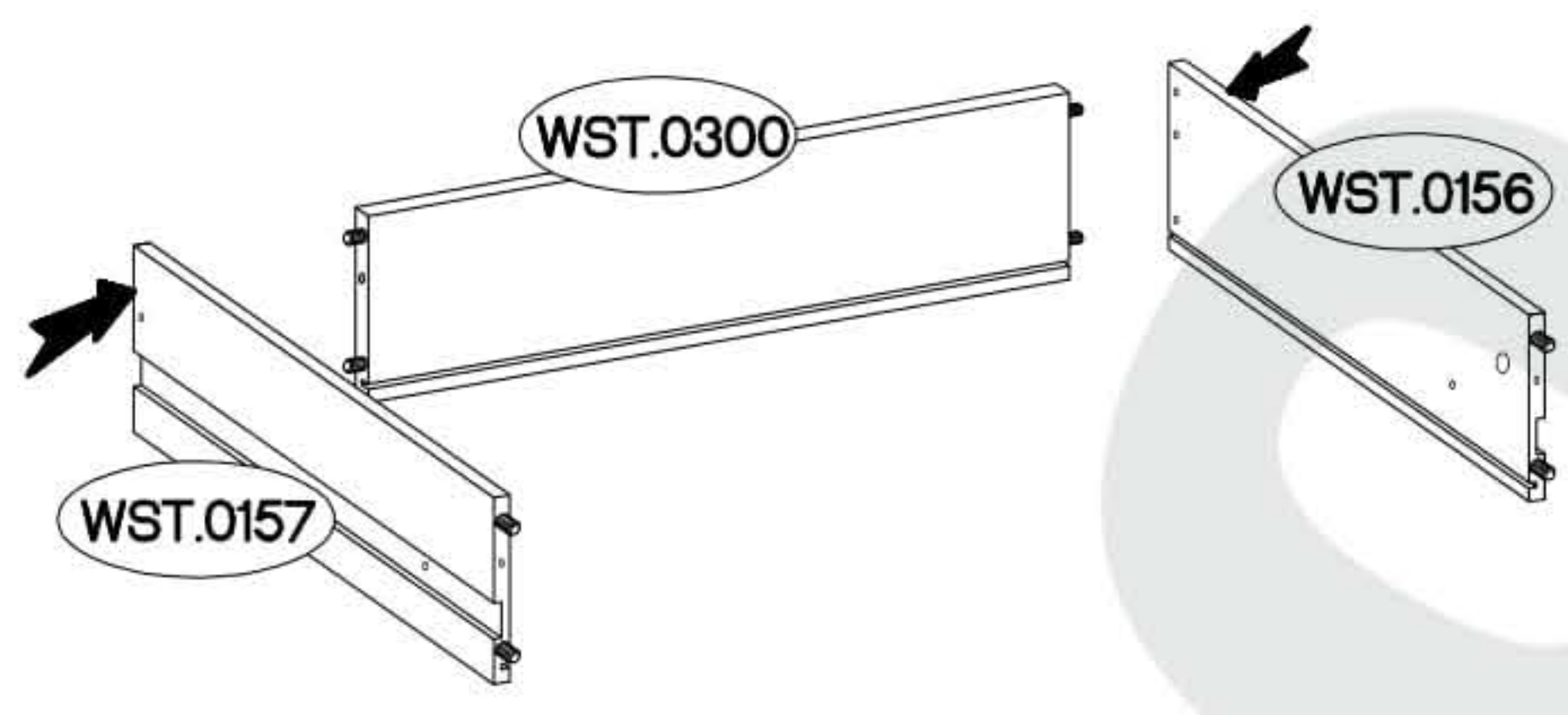
x3



2

x3

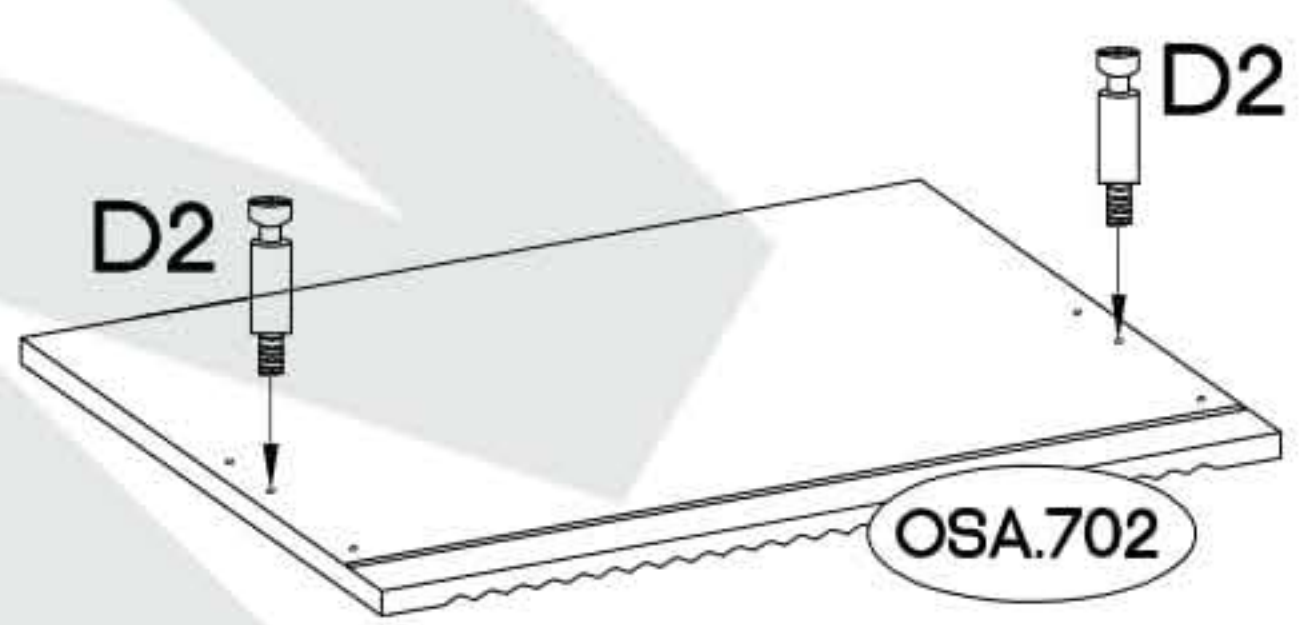
±6x42mm  B2 6
---



3

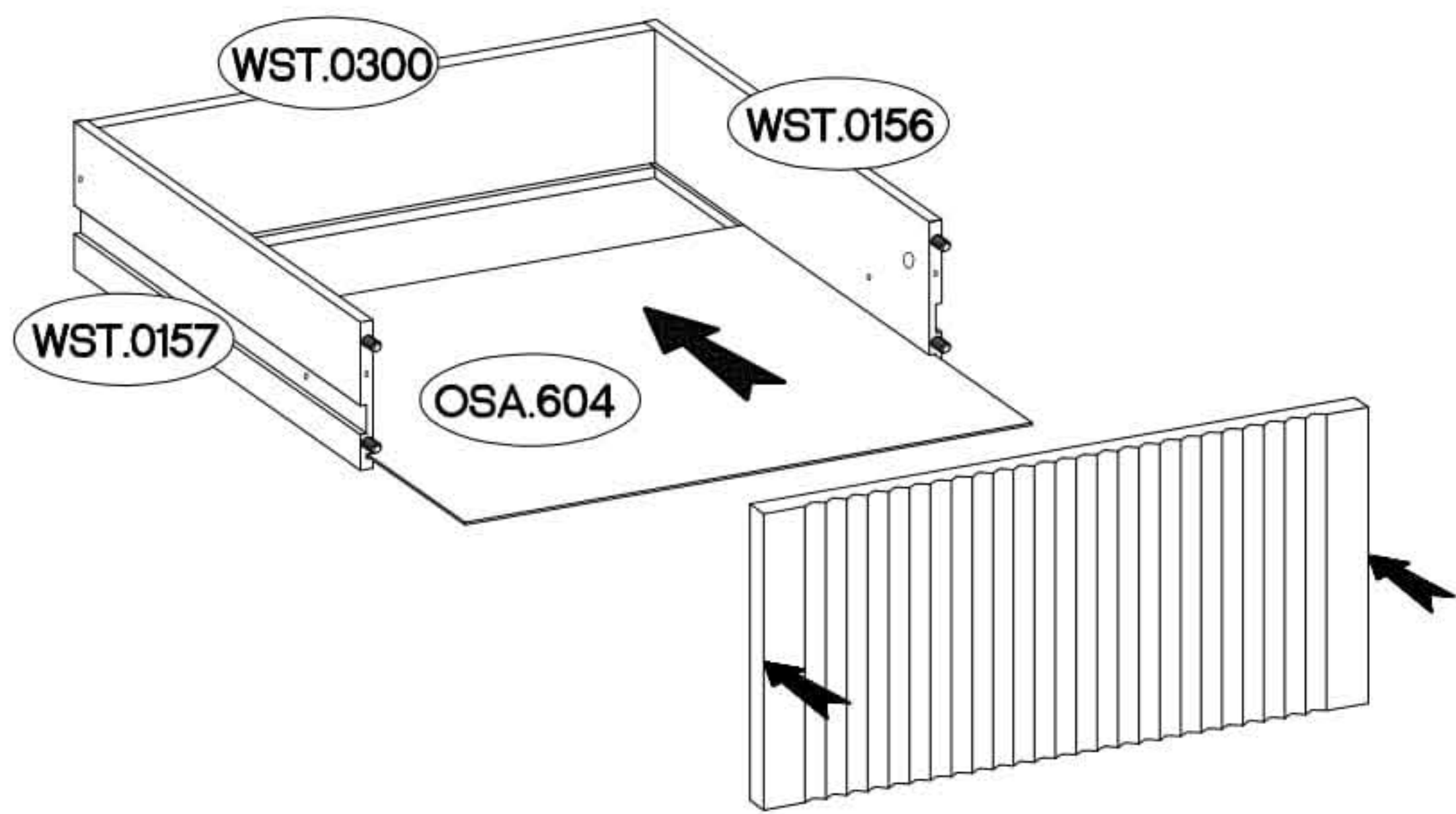
L=20mm  D2 6
--

x3

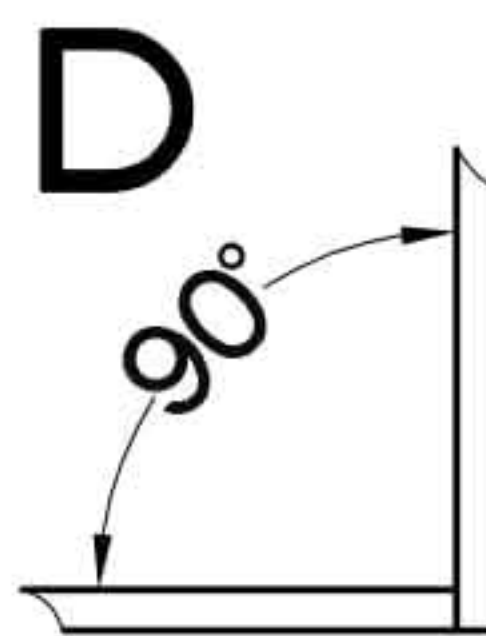
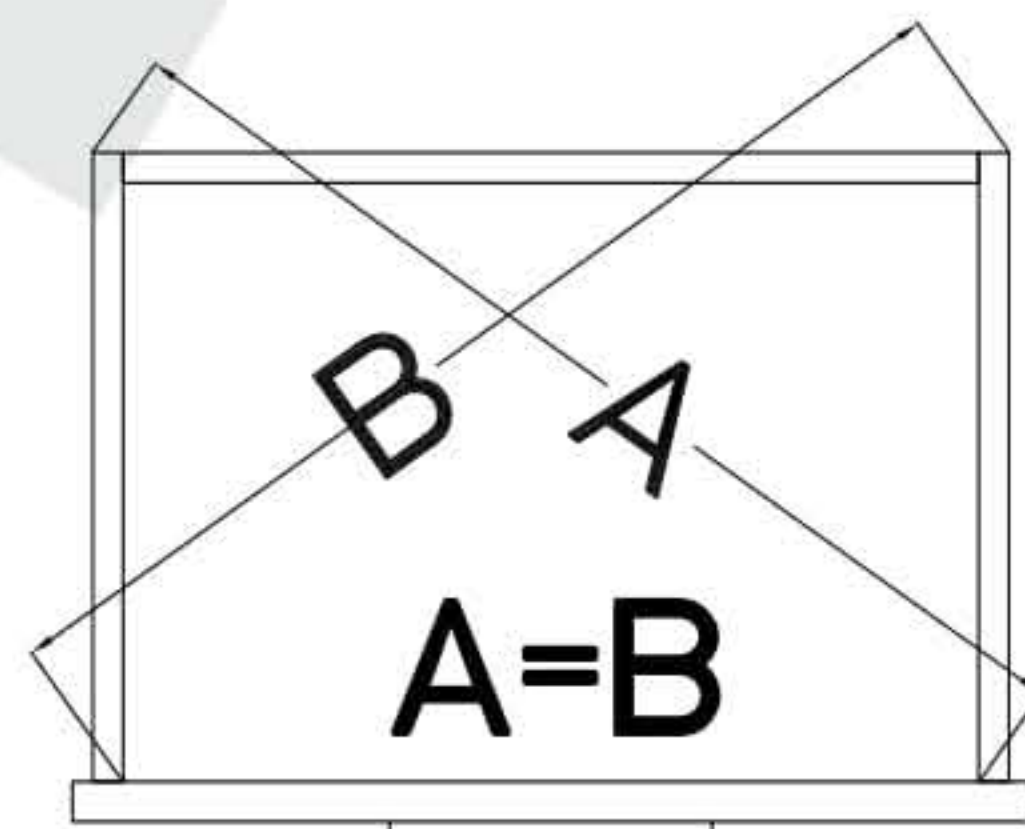
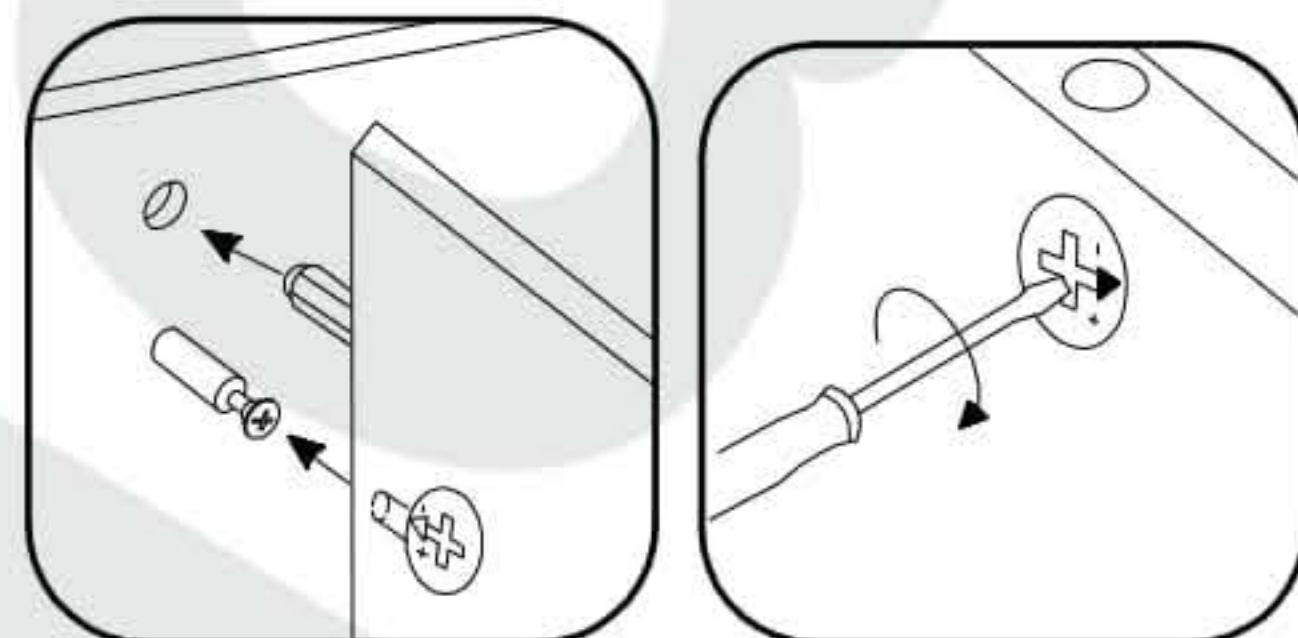
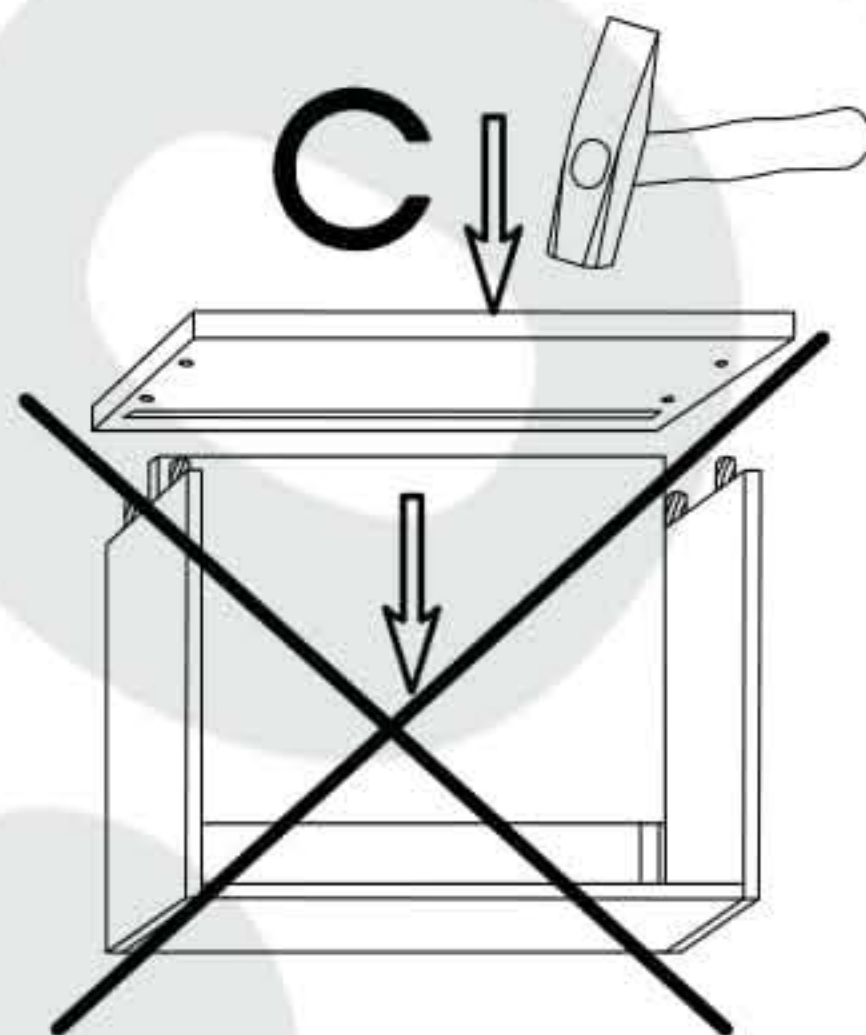
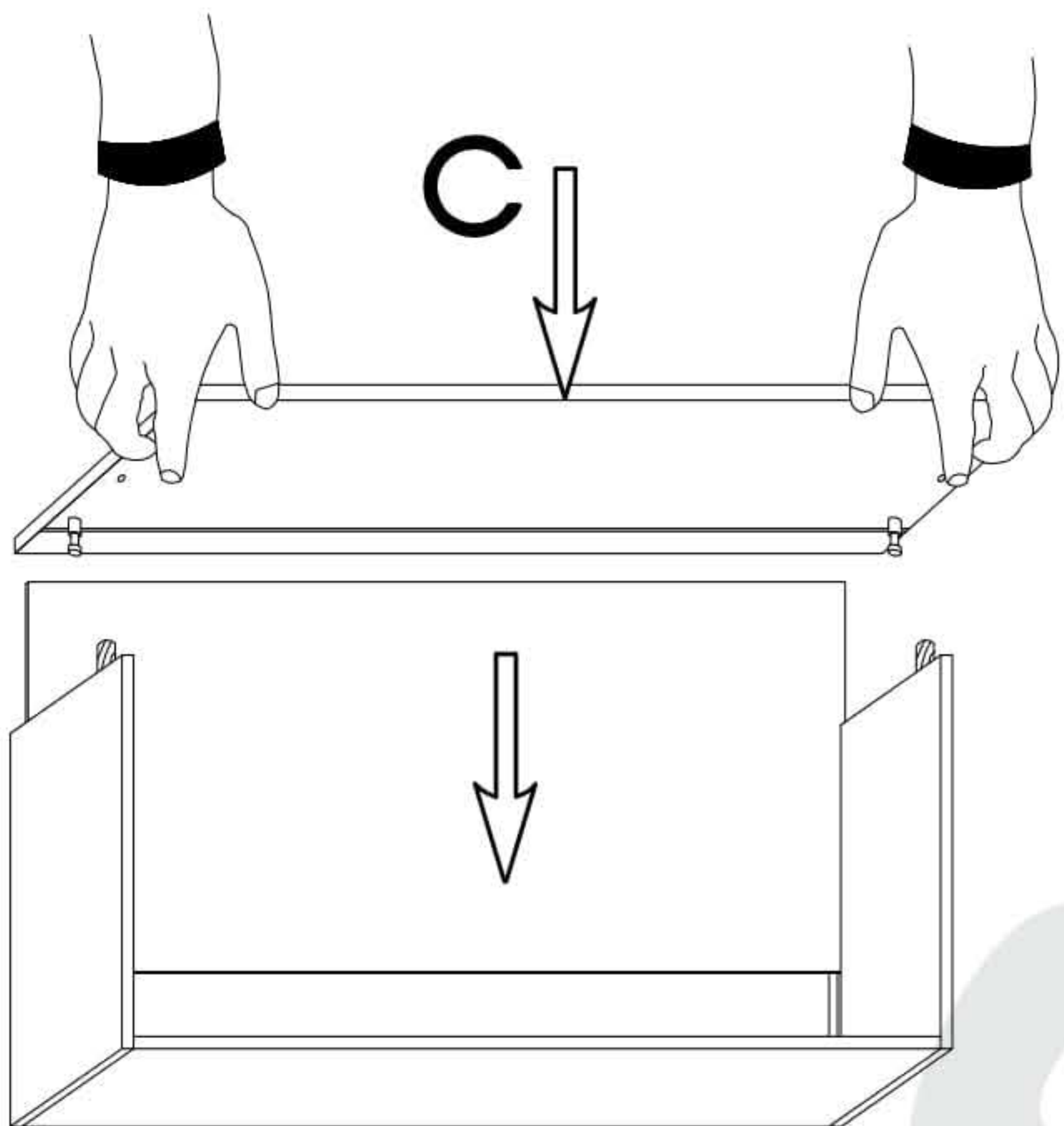
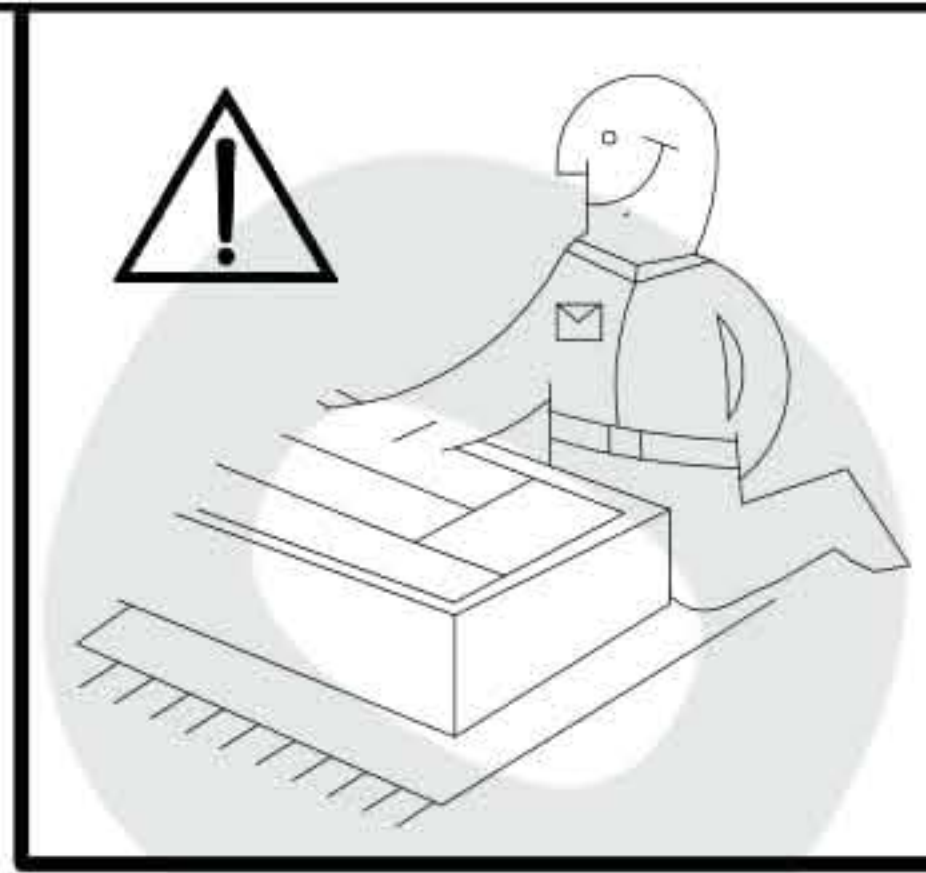




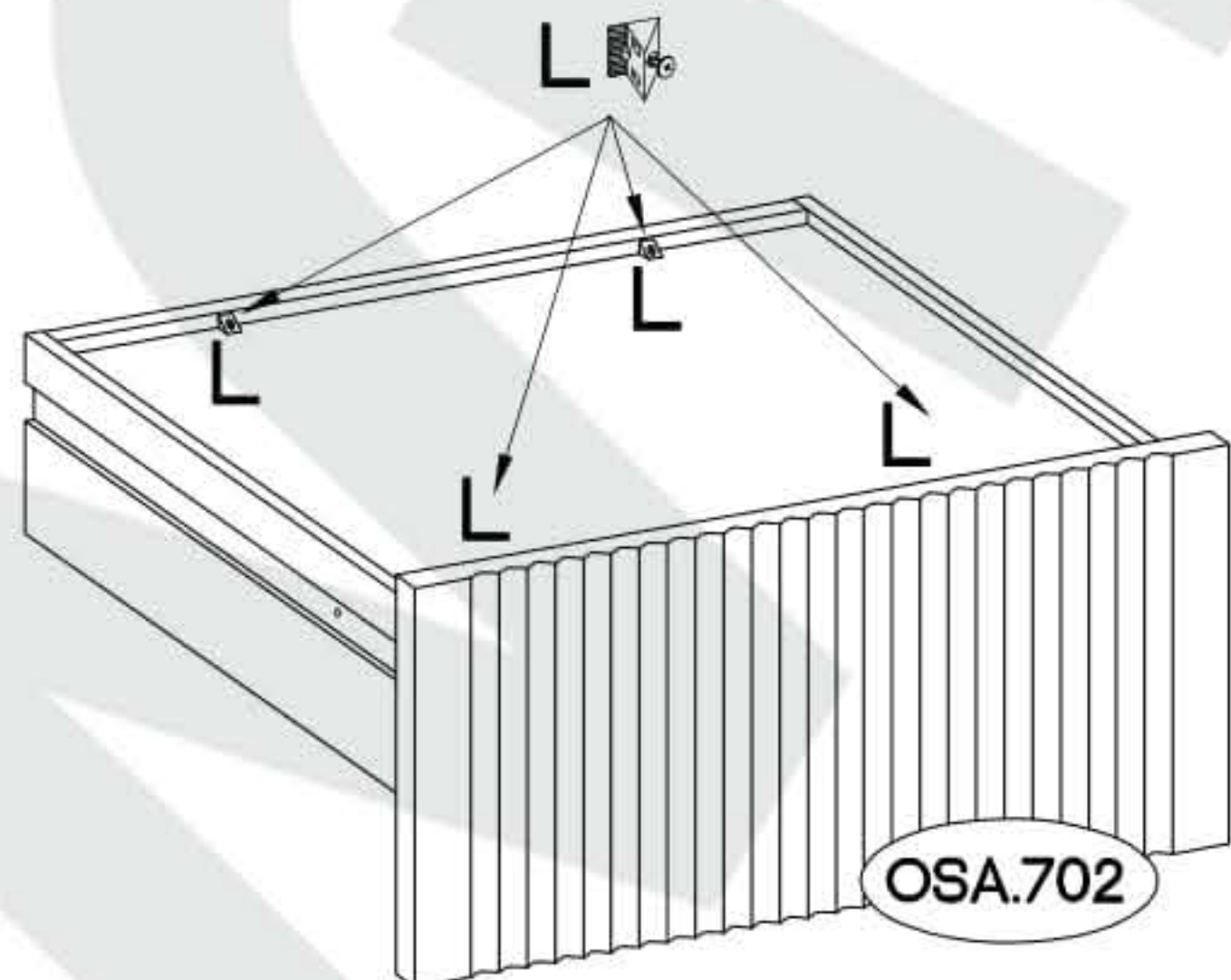
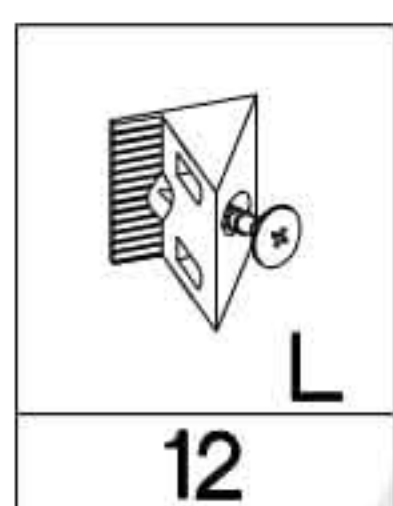
4



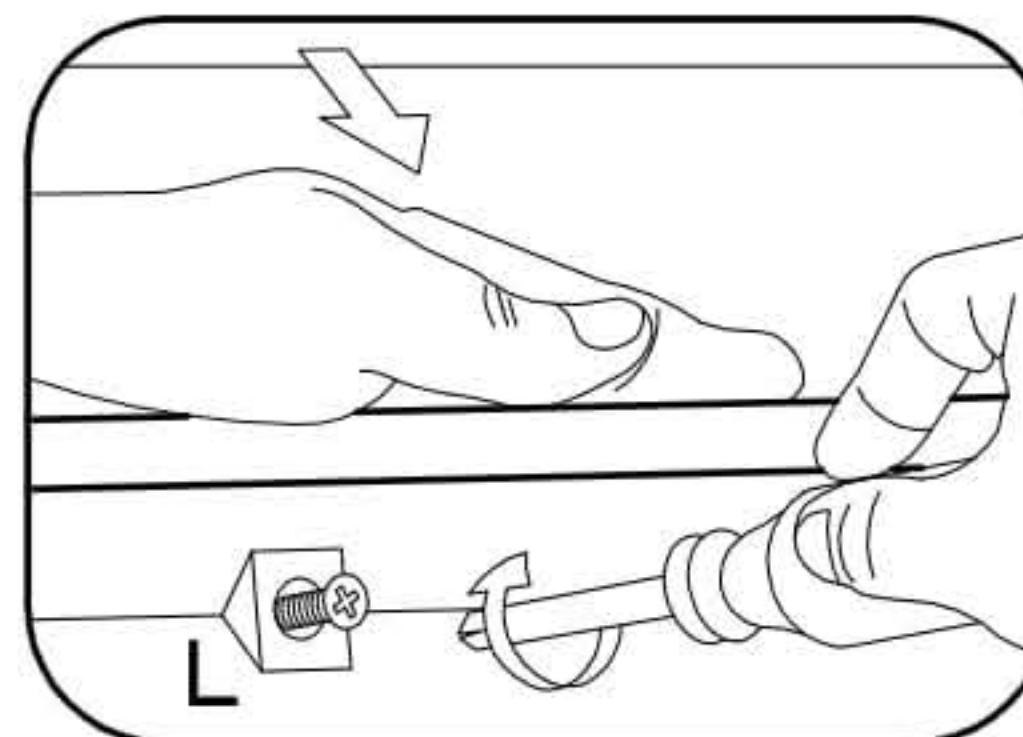
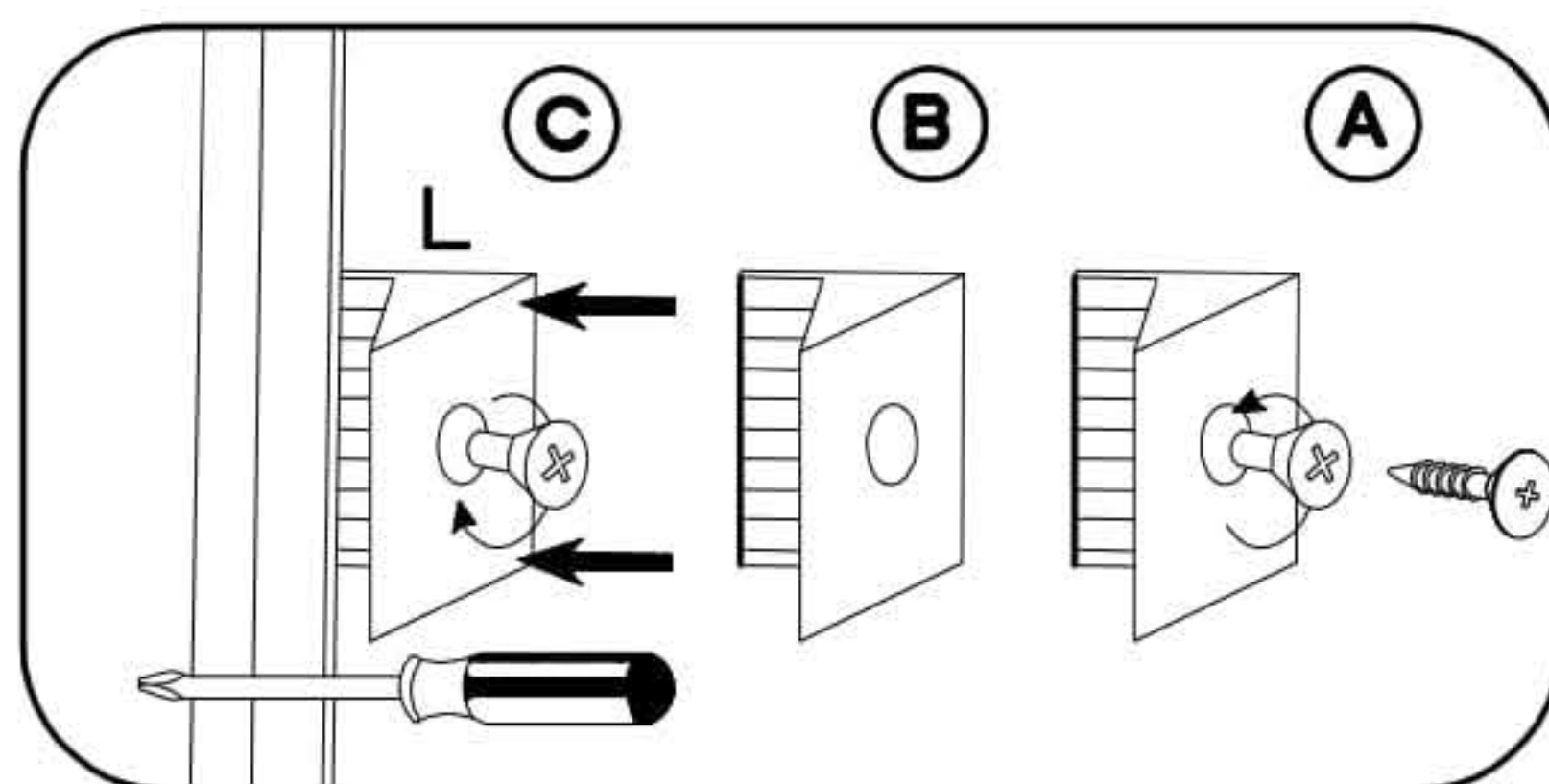
x3



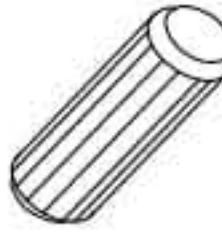


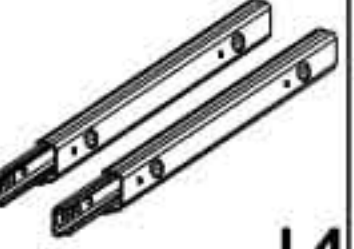


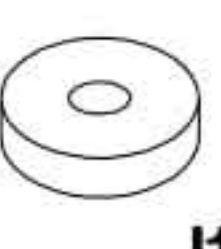
5

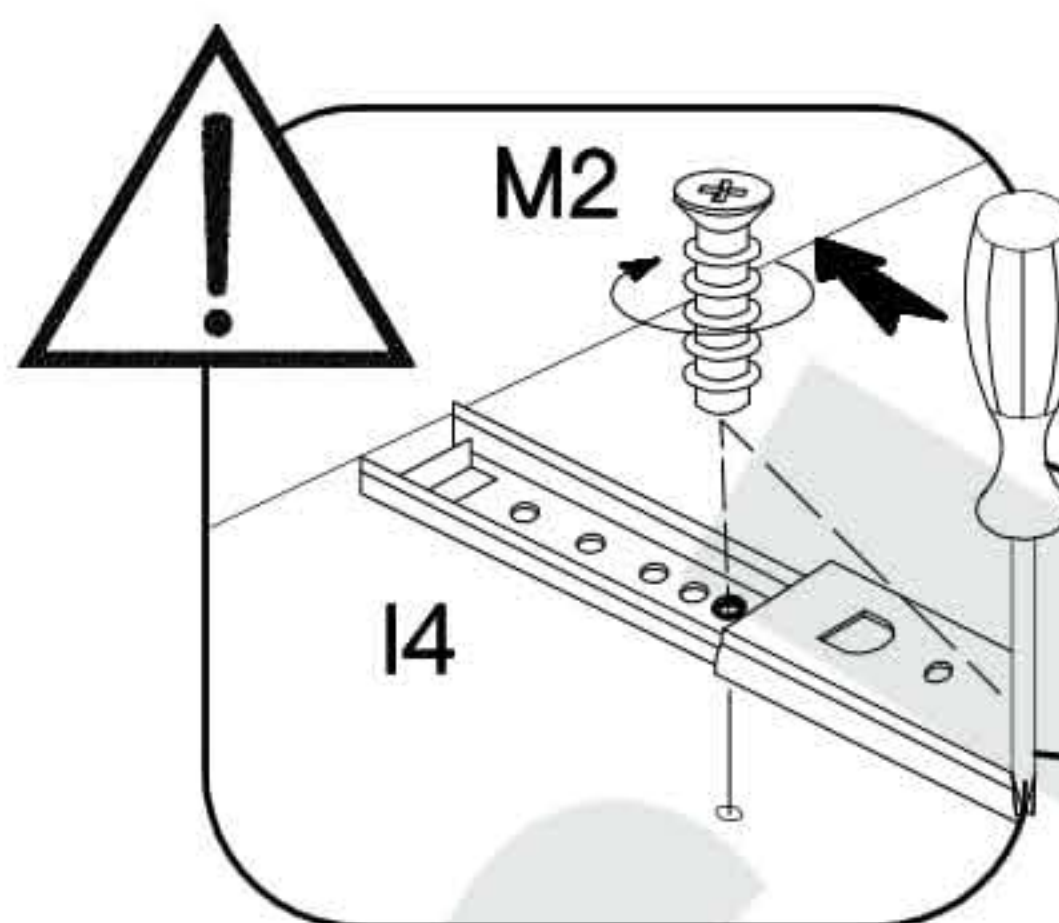
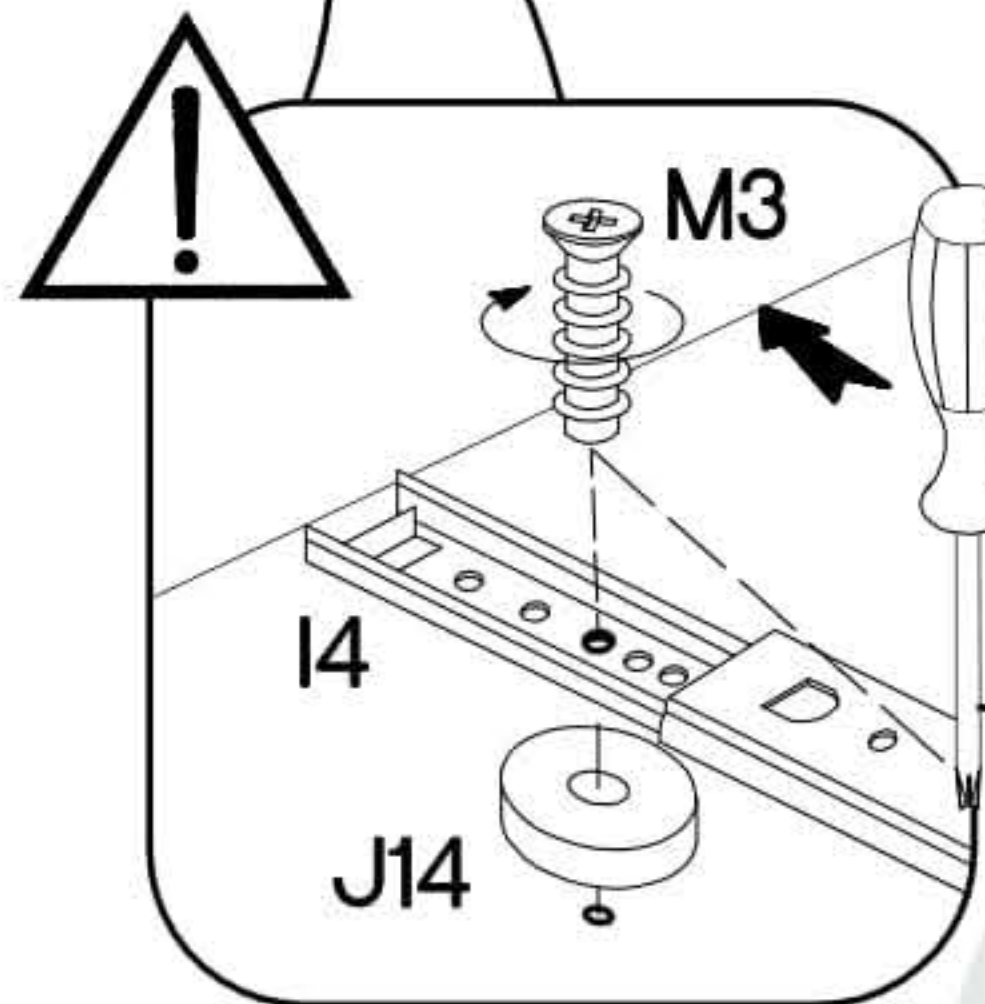
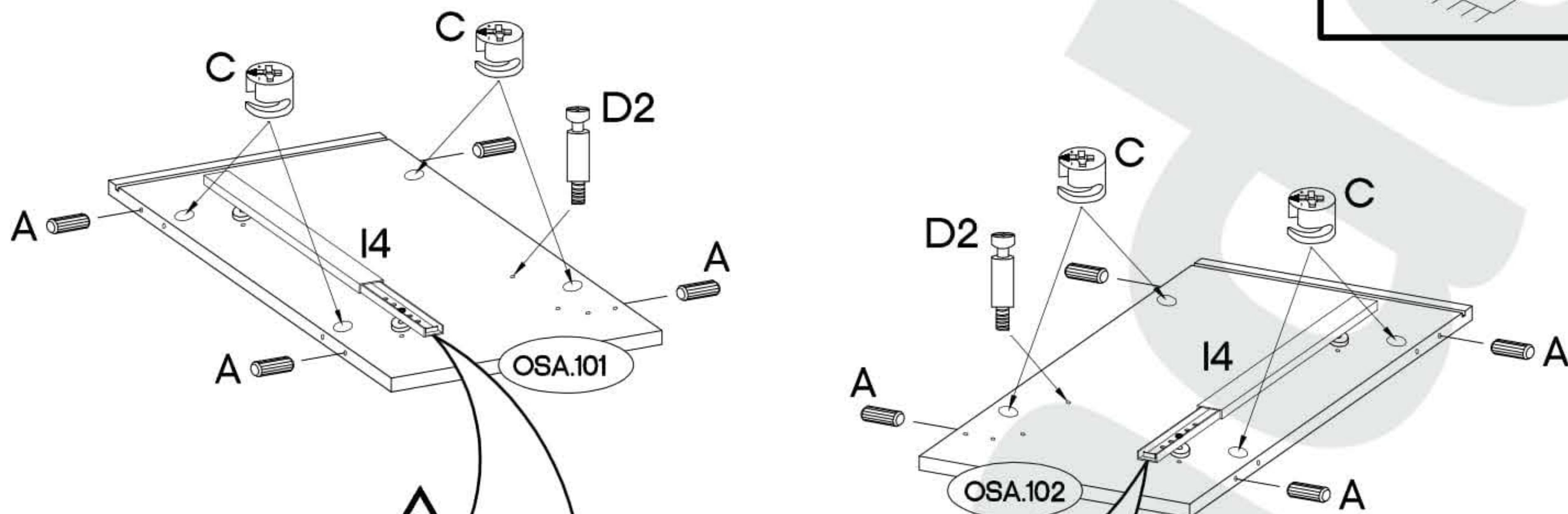
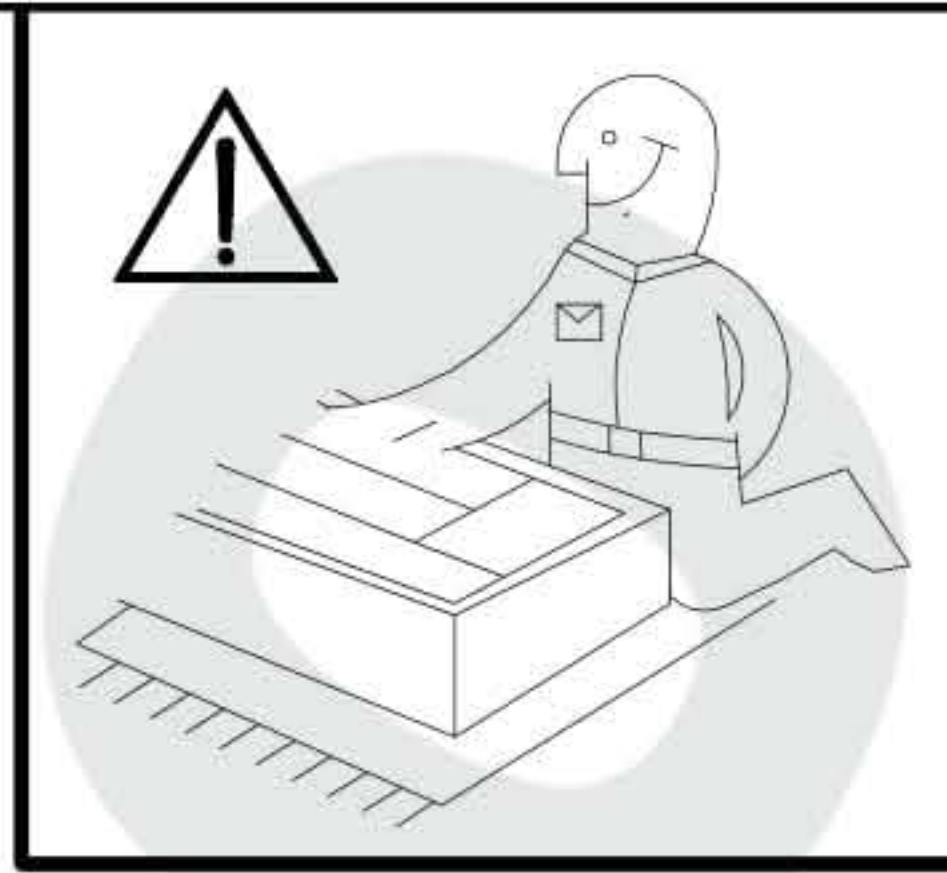


x3





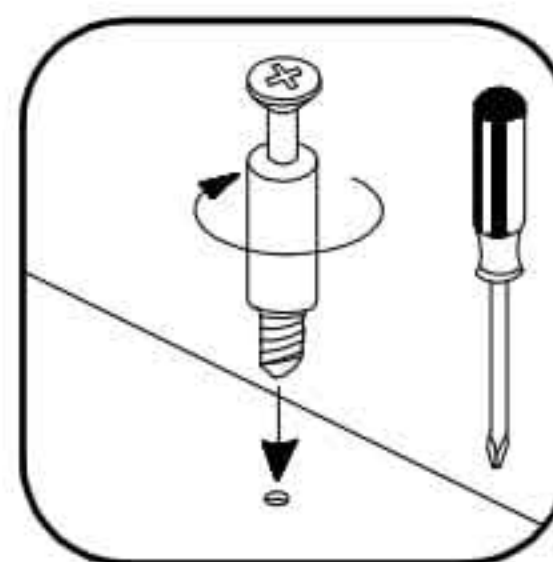
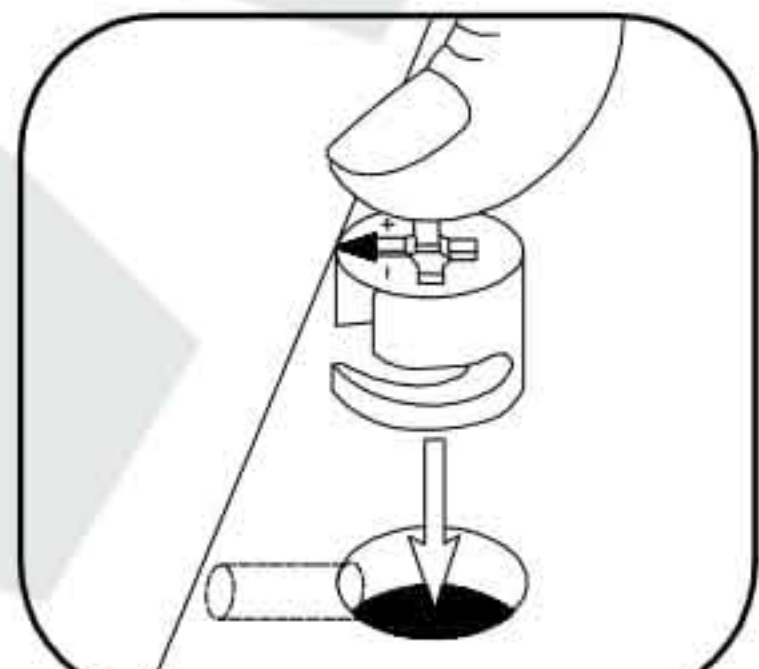
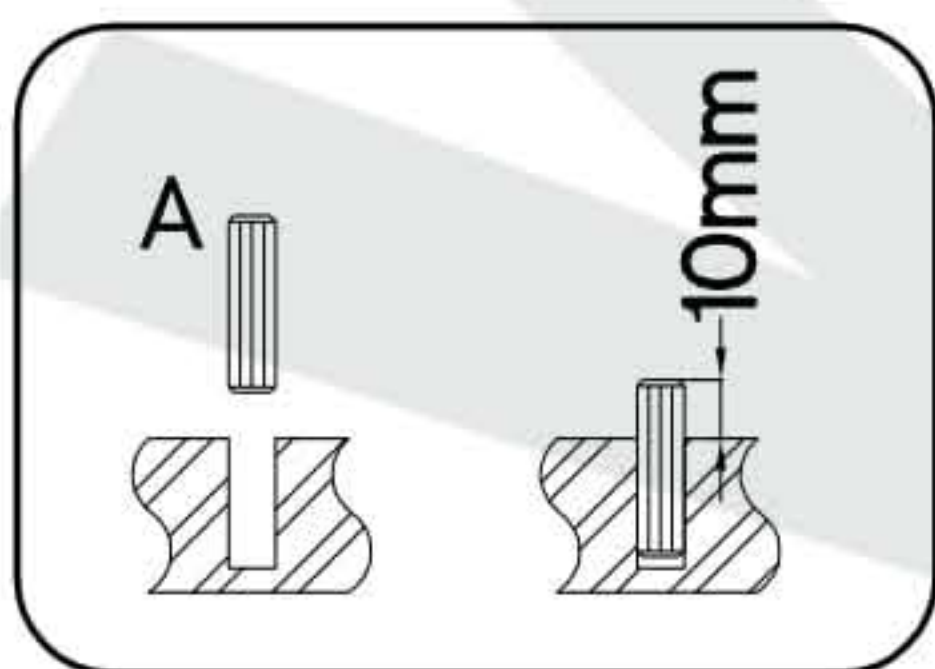
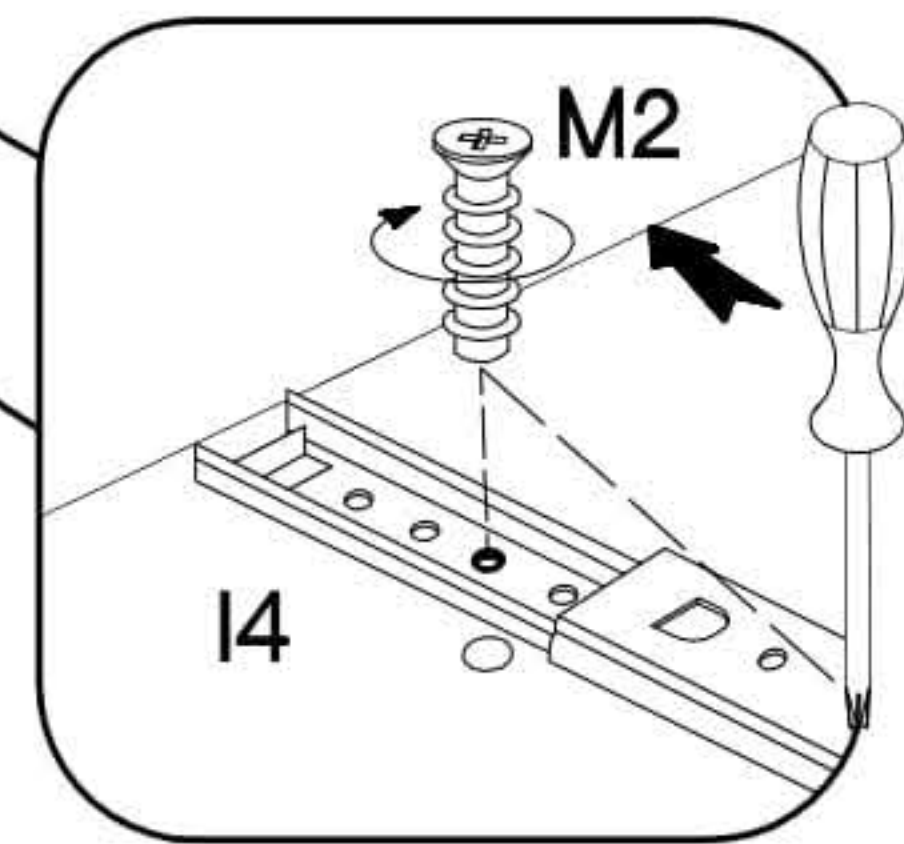
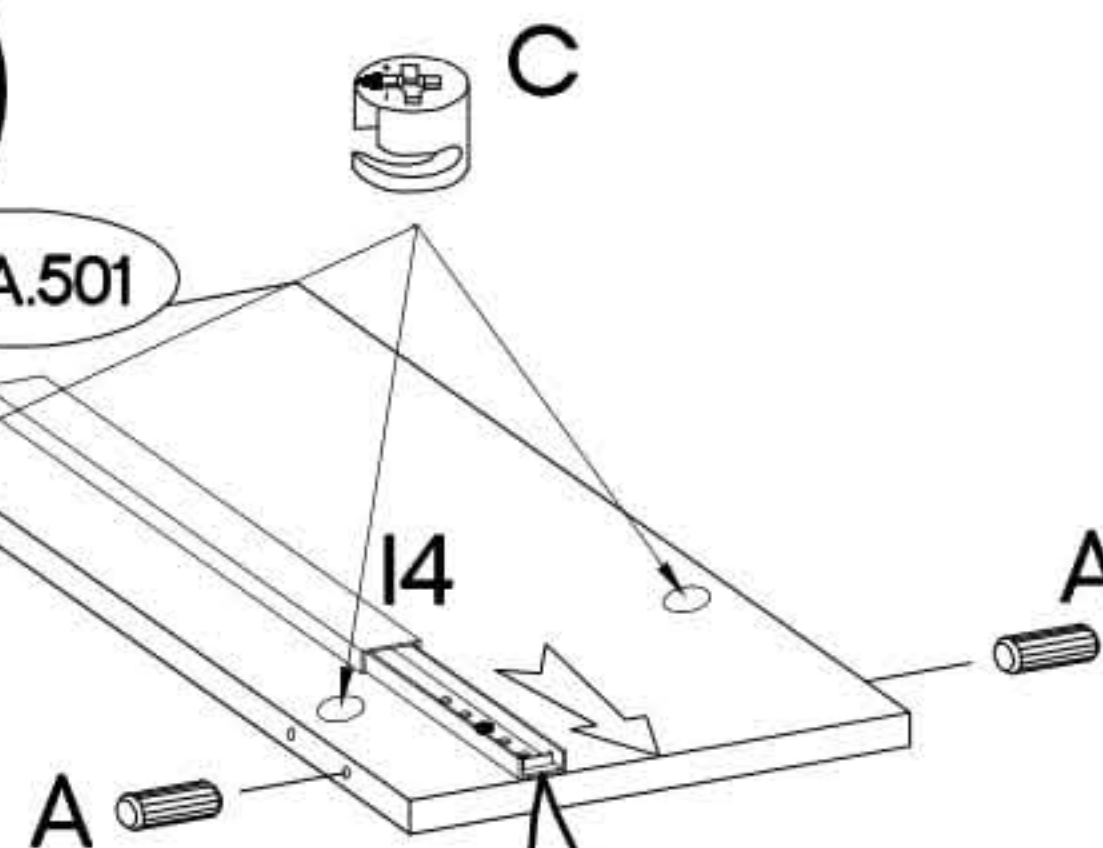
†8x30mm  A	†15/12mm  C	L=20mm  D2	27/310mm  I4	†6,3x13mm  M2	†6.3x20mm  M3	†20/8mm  J14
14	14	2	3	8	4	4



x2






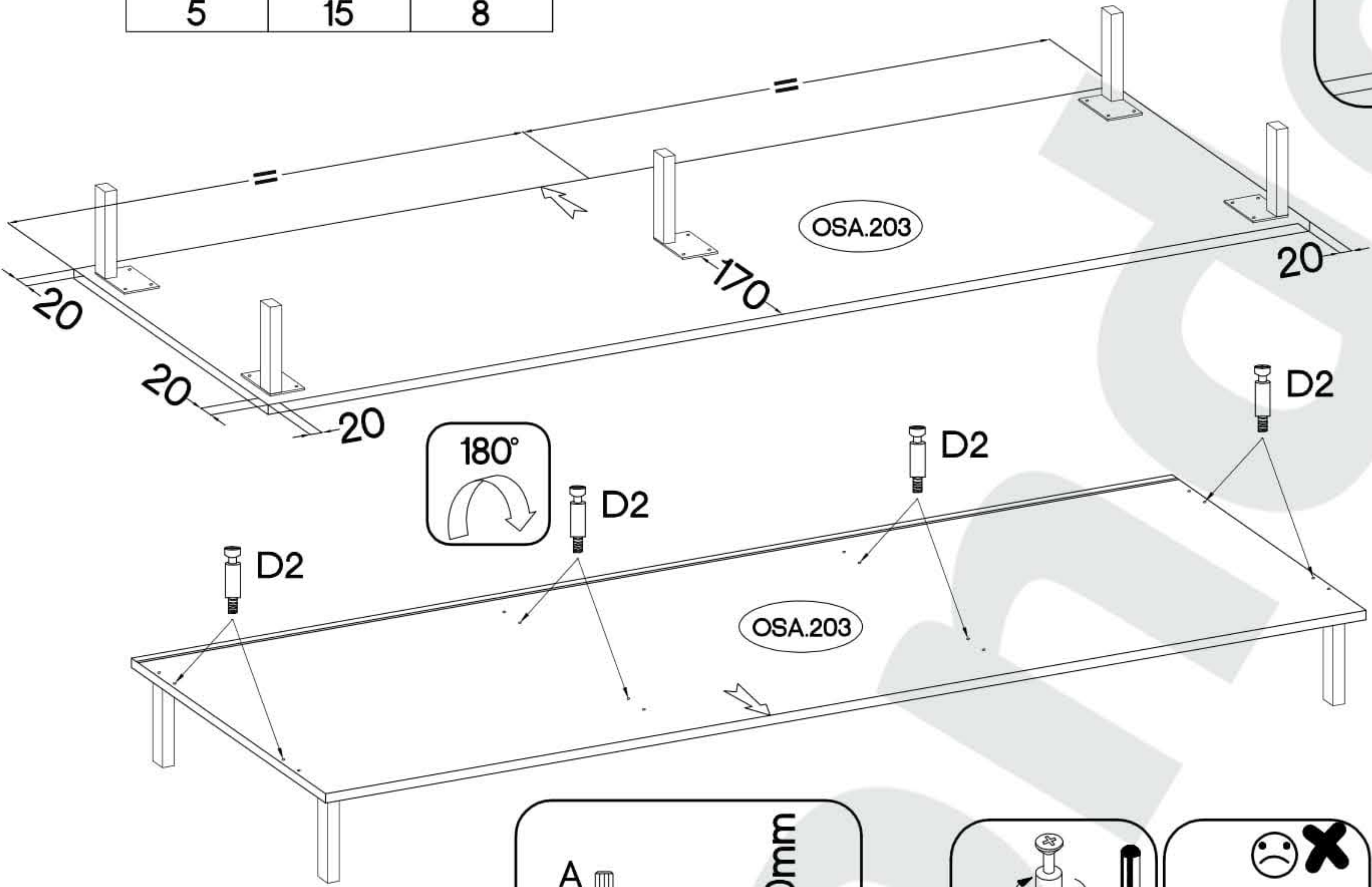
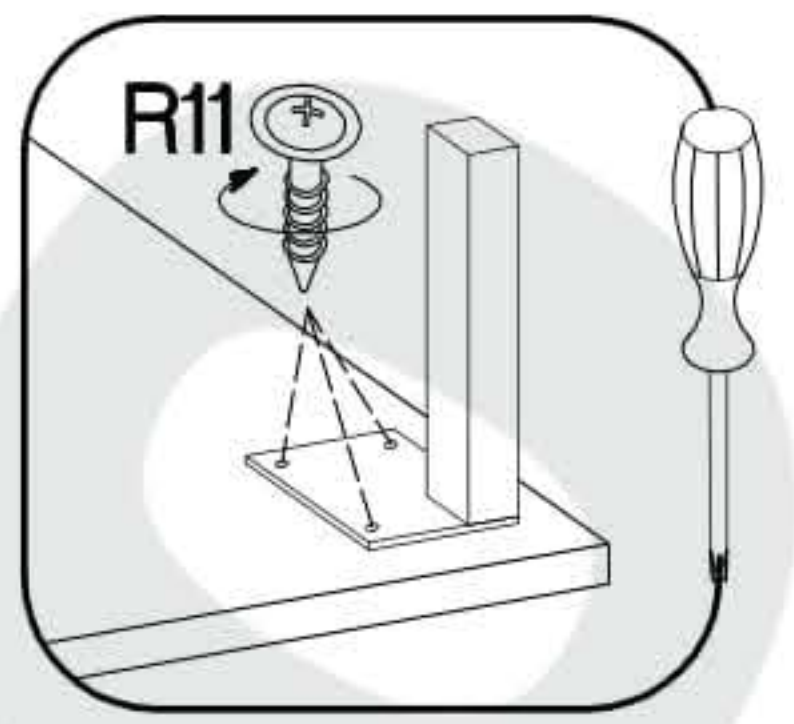
x2



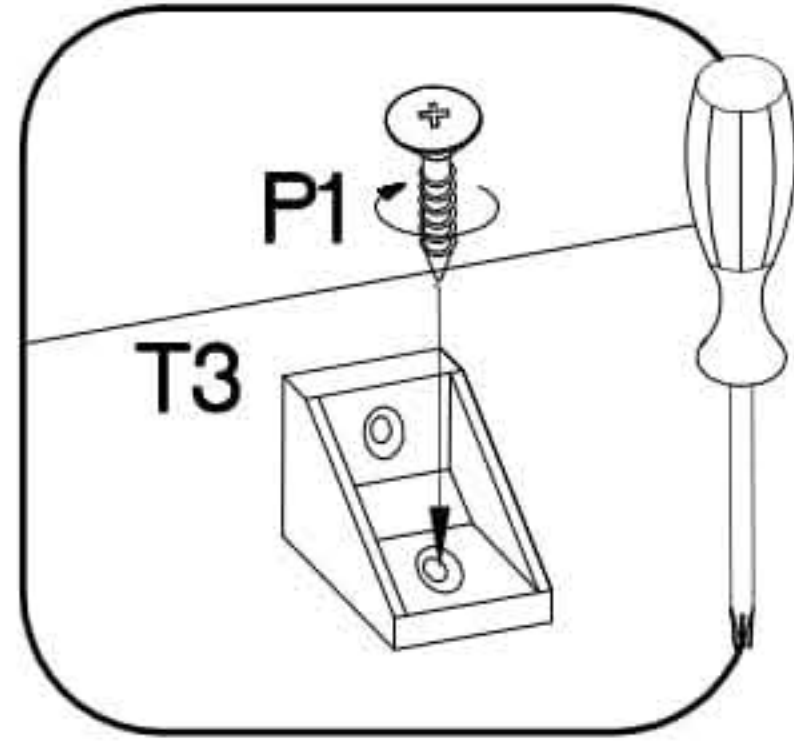
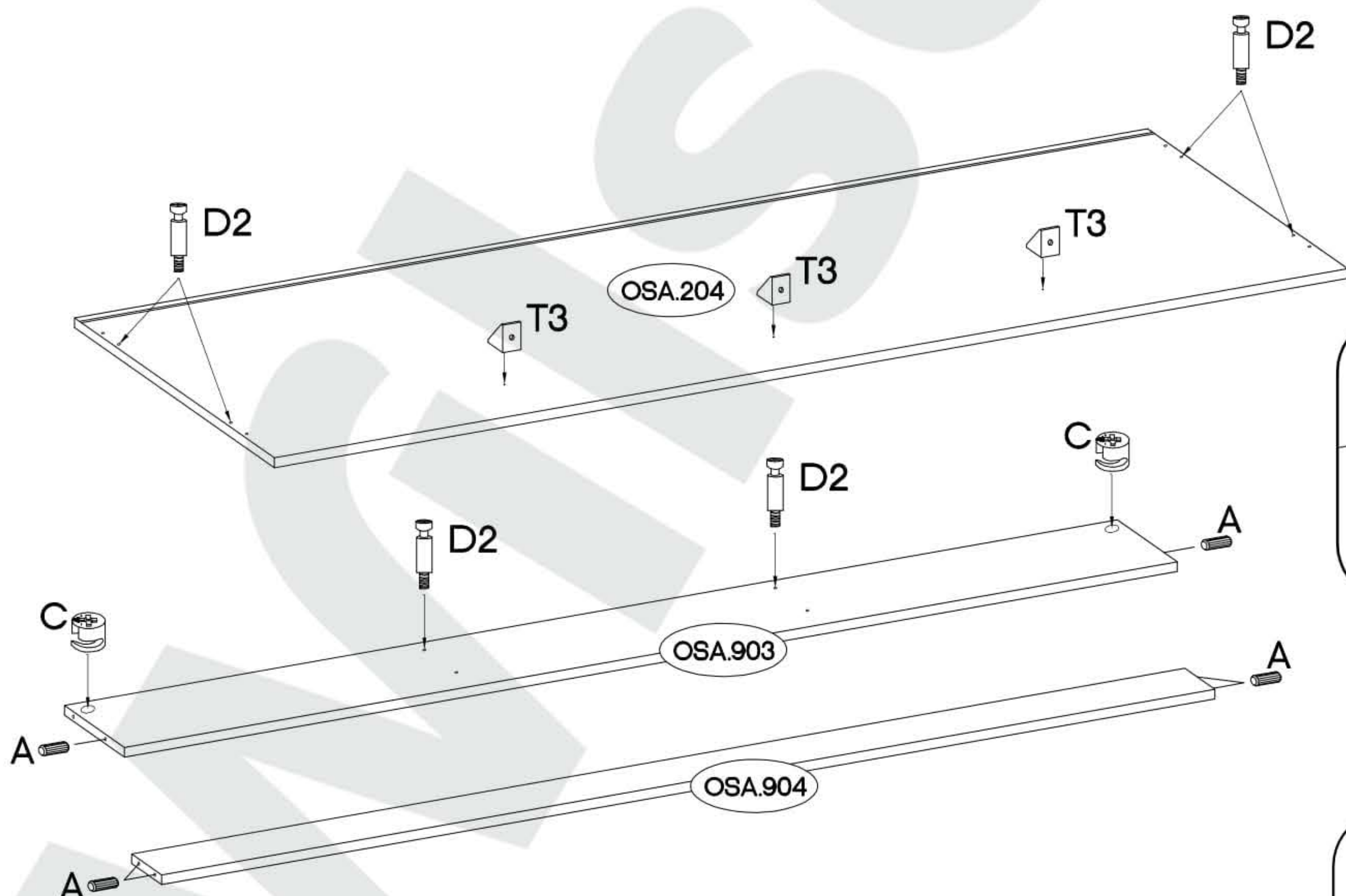
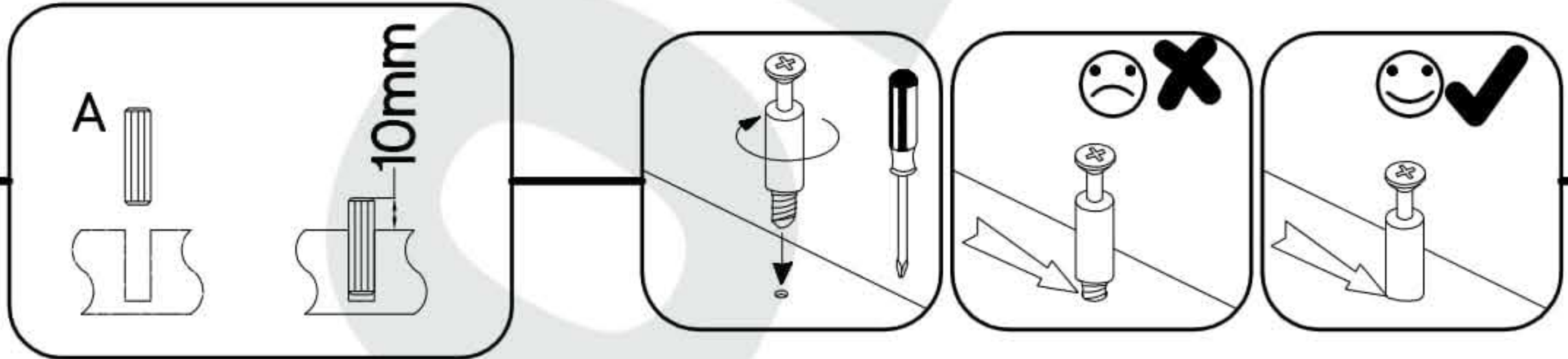


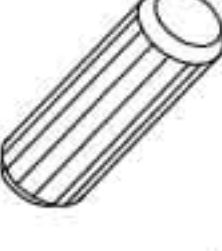


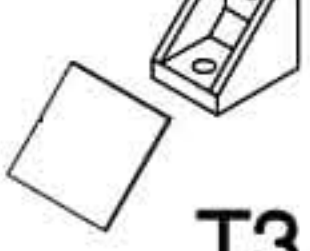

7

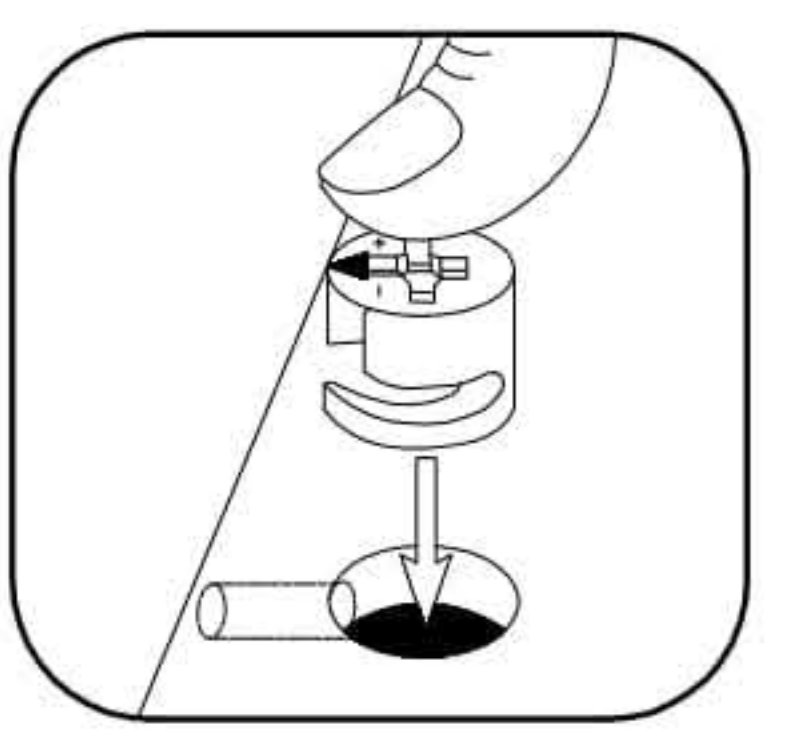
L=150mm  F34 5	±4.0x16mm  R11 15	L=20mm  D2 8
---	--	---



8

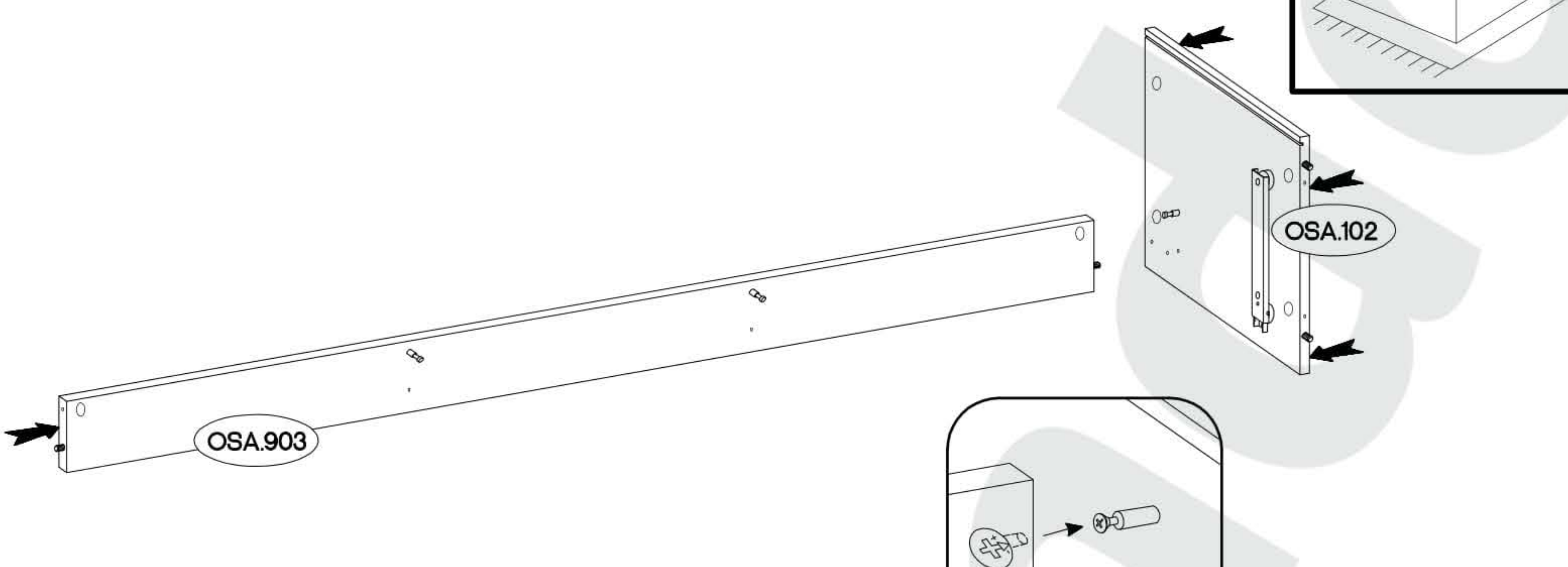
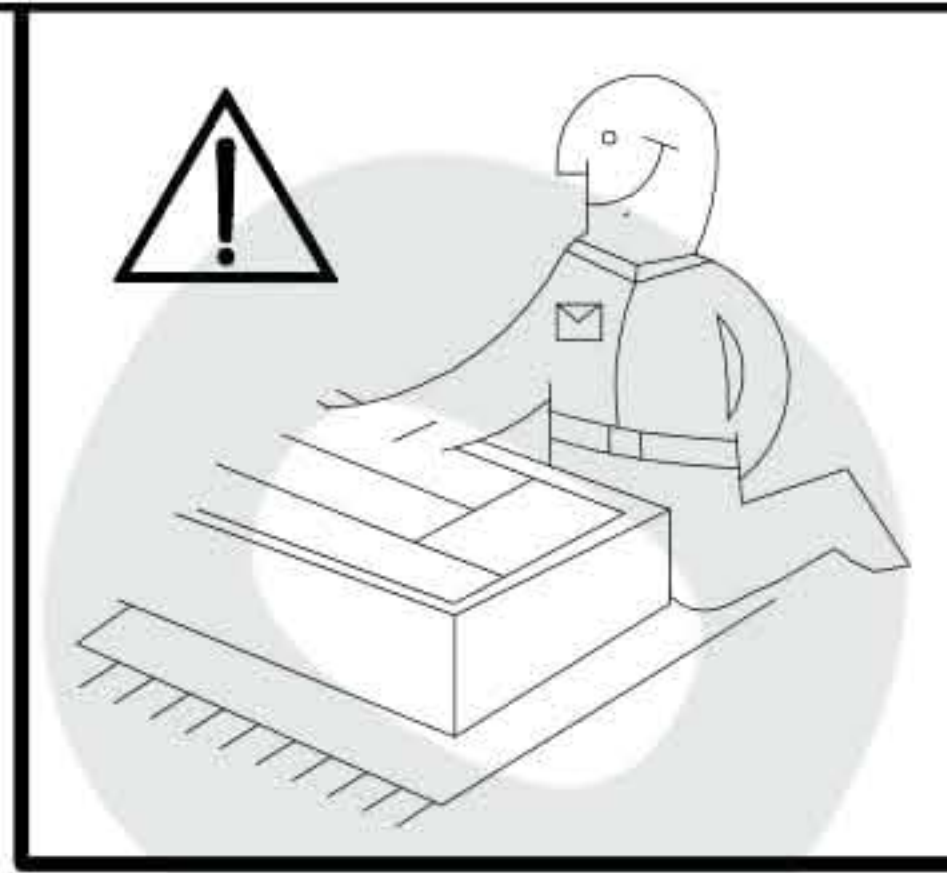


±8x30mm  A 6	±15/12mm  C 2	L=20mm  D2 6	 T3 3	±4.0x16mm  P1 3
--	--	--	--	---





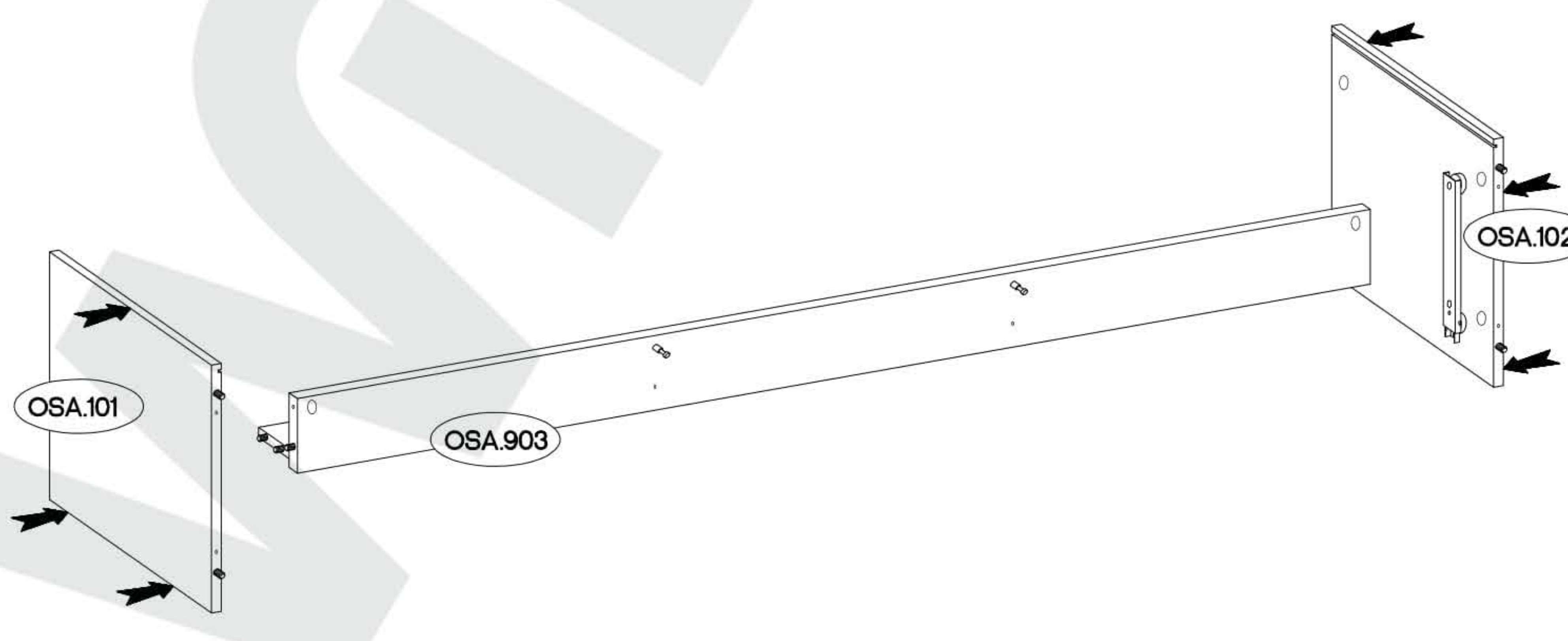
9



10

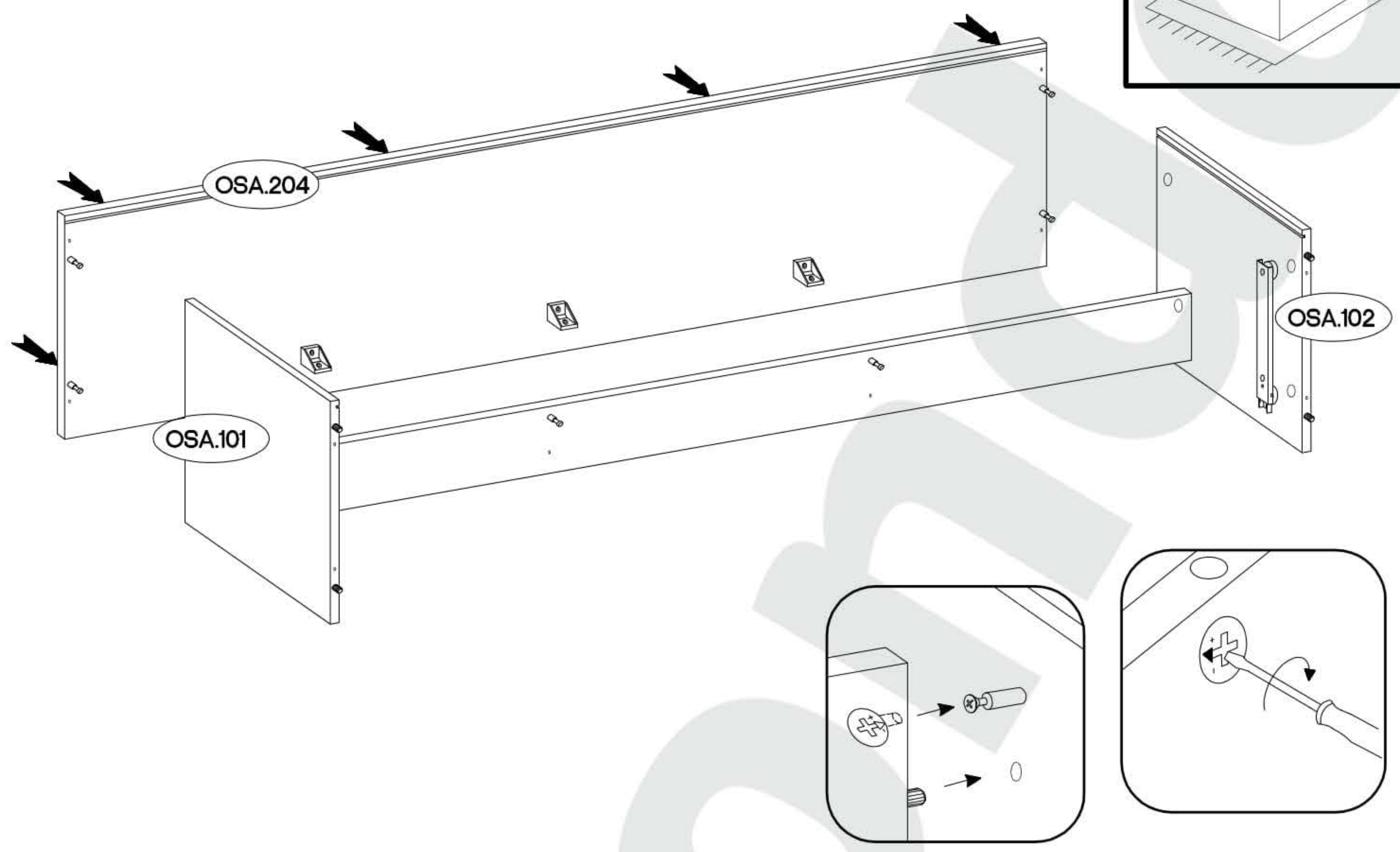
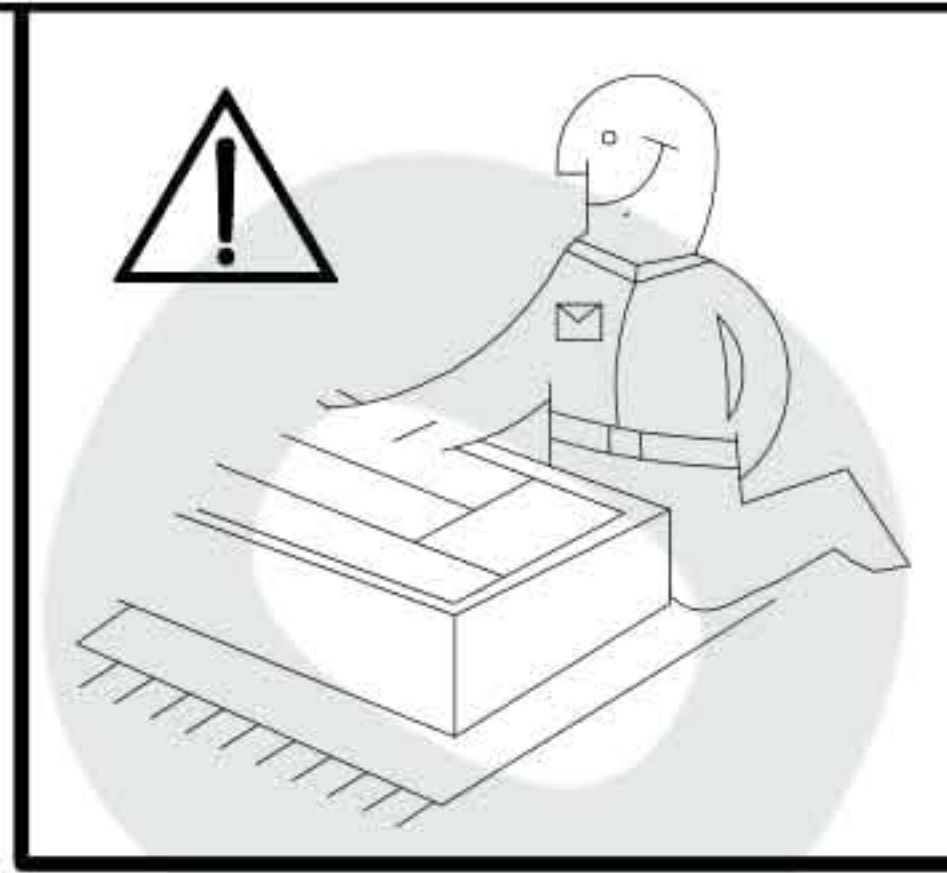


11

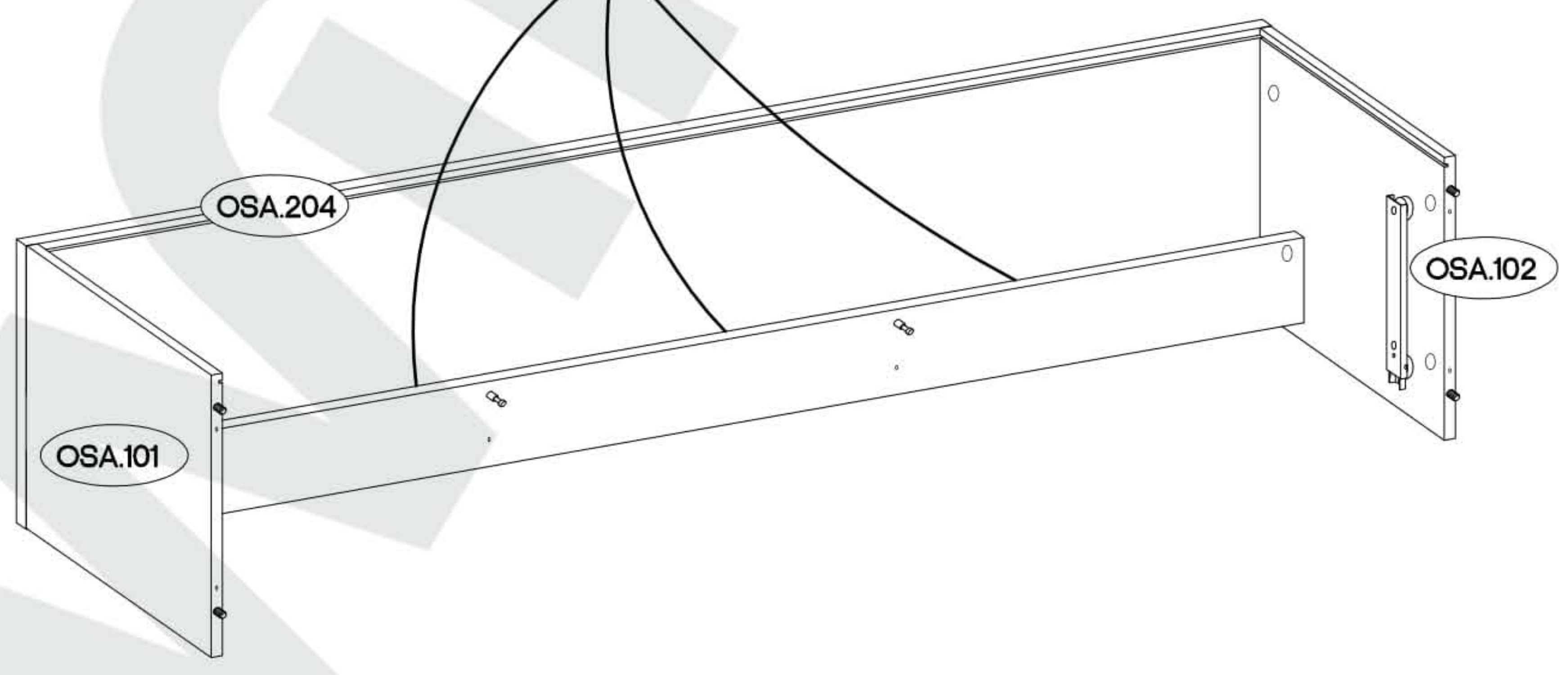
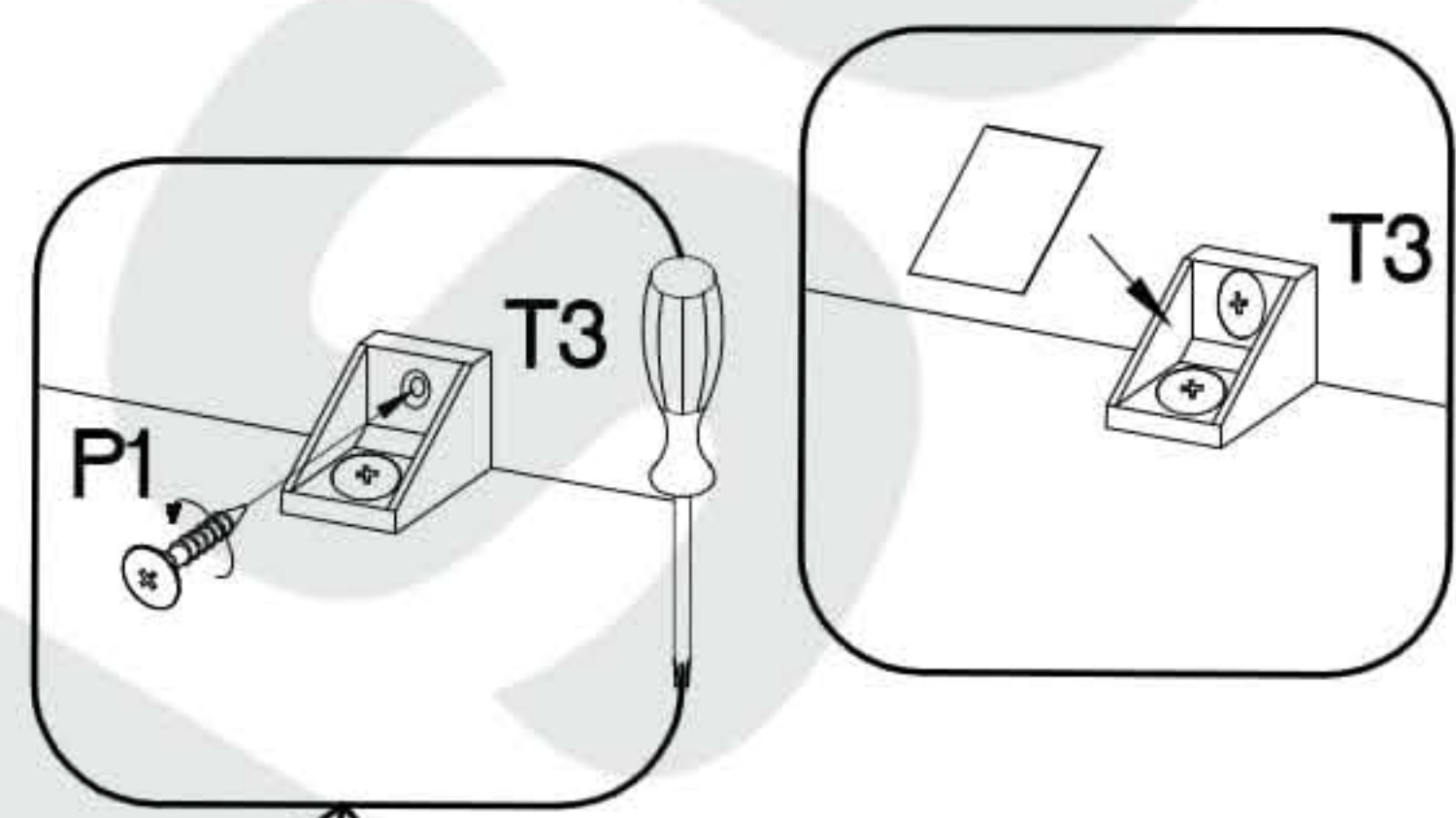
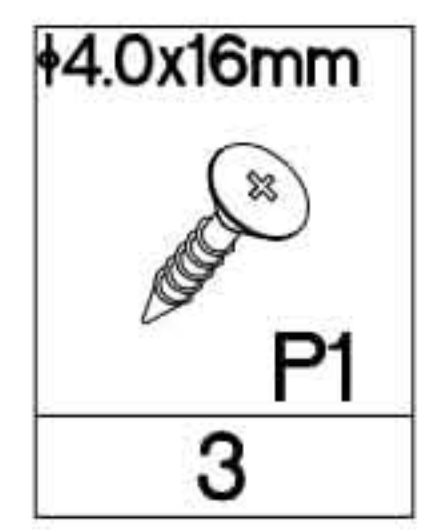




12

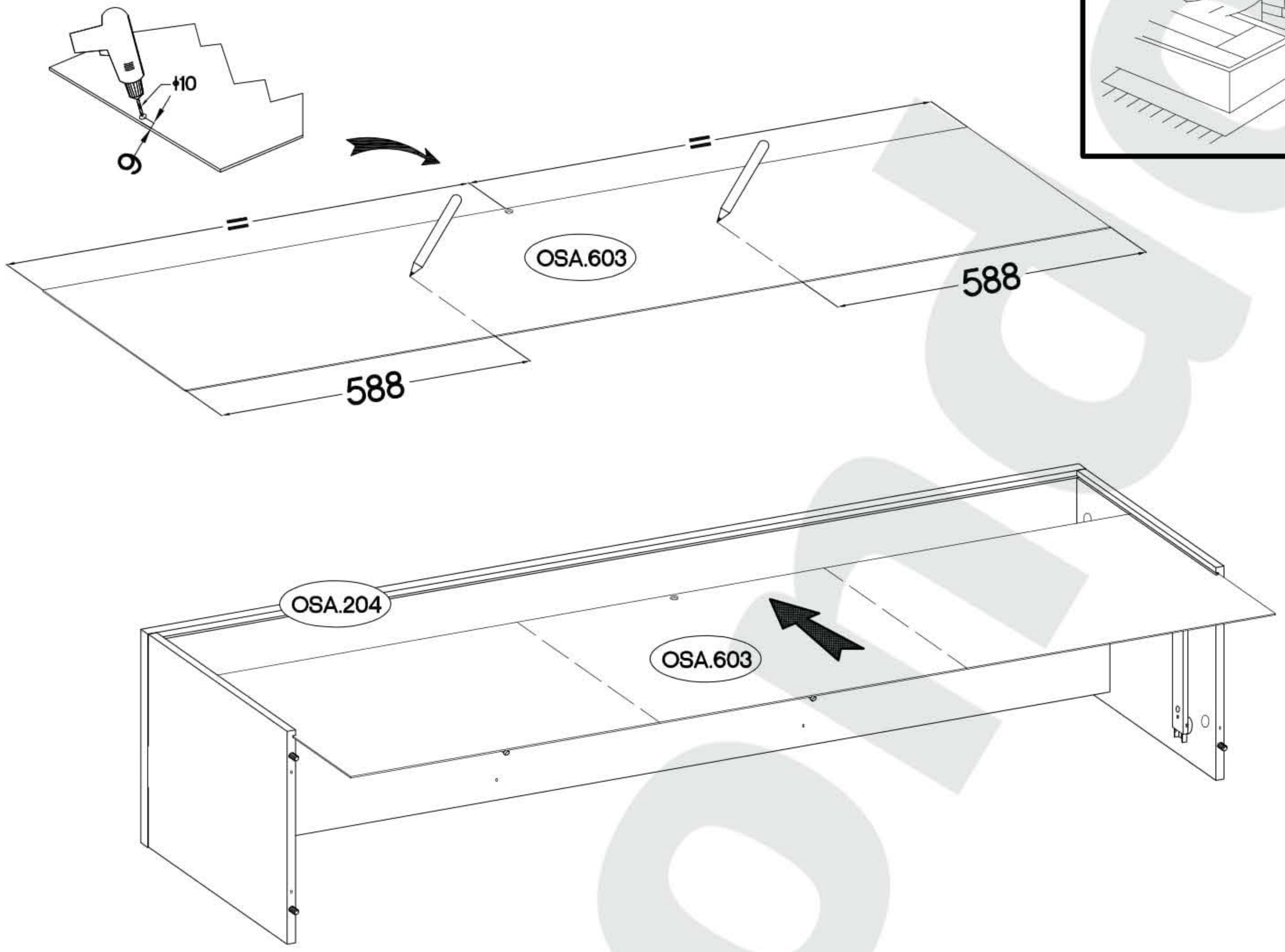
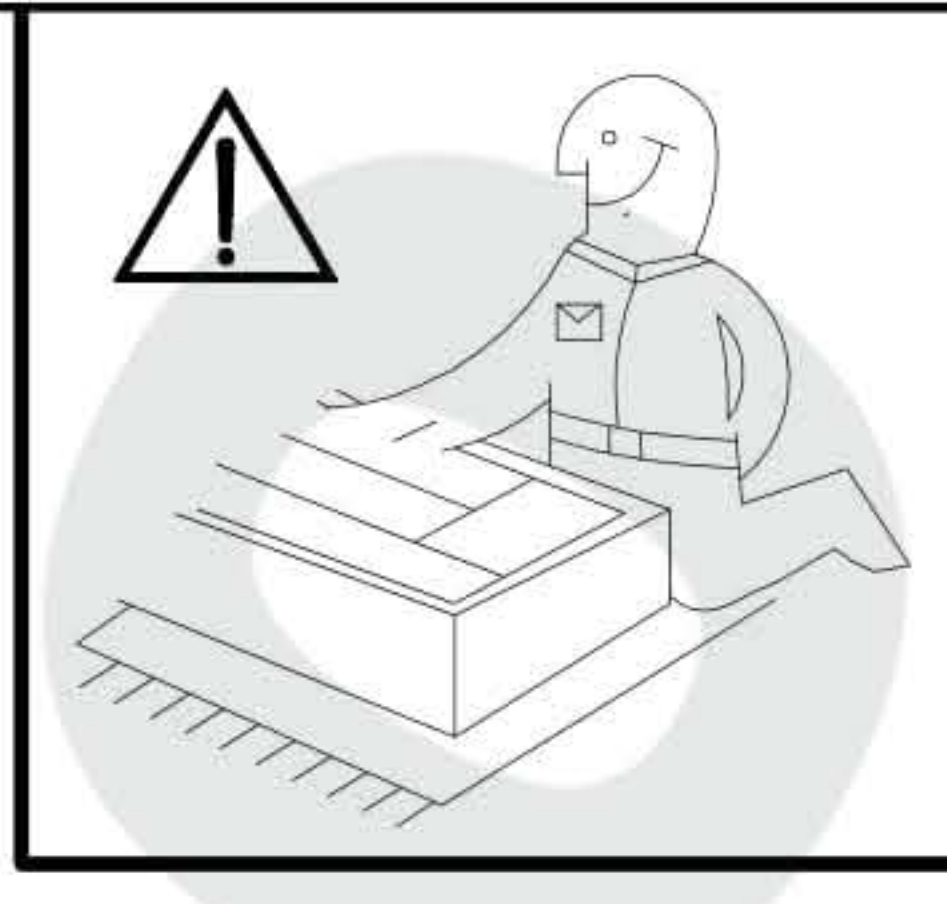


13

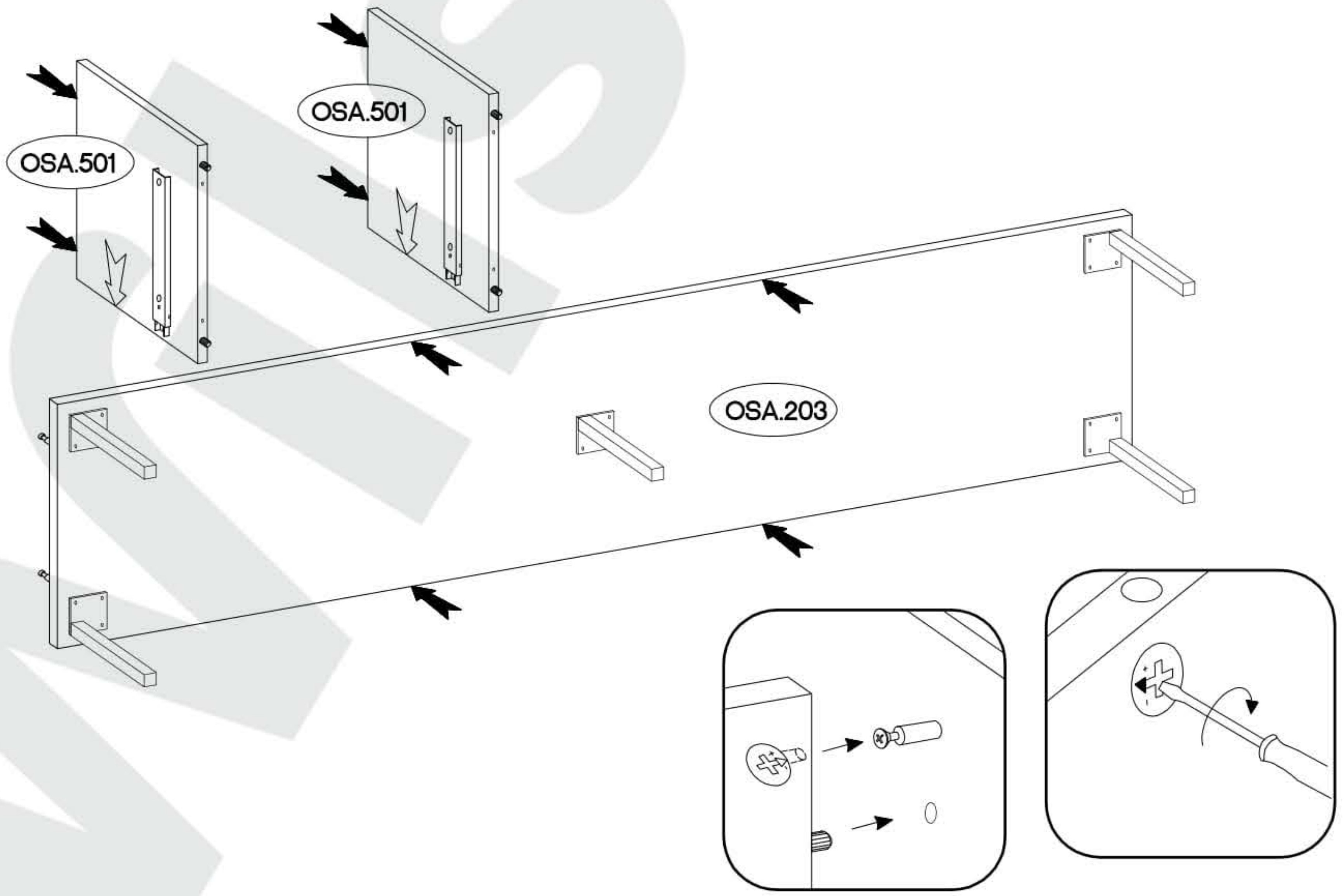




14



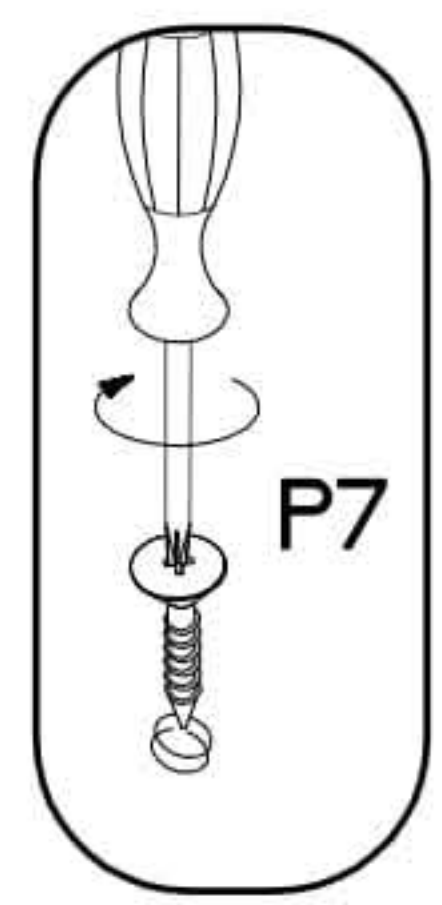
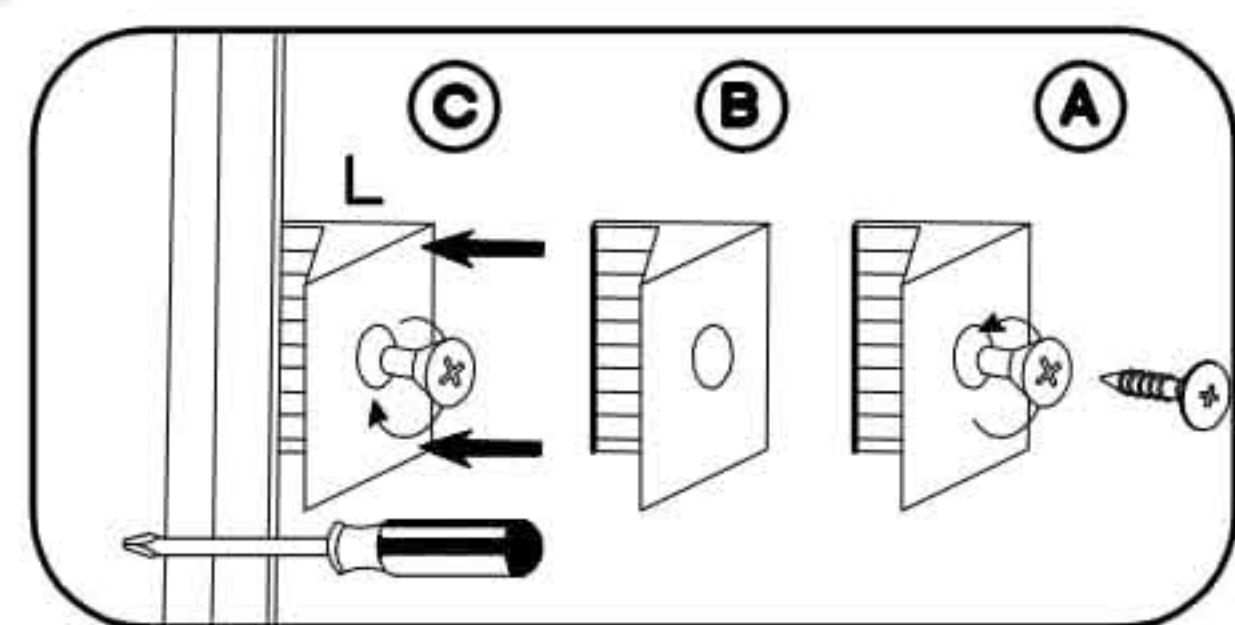
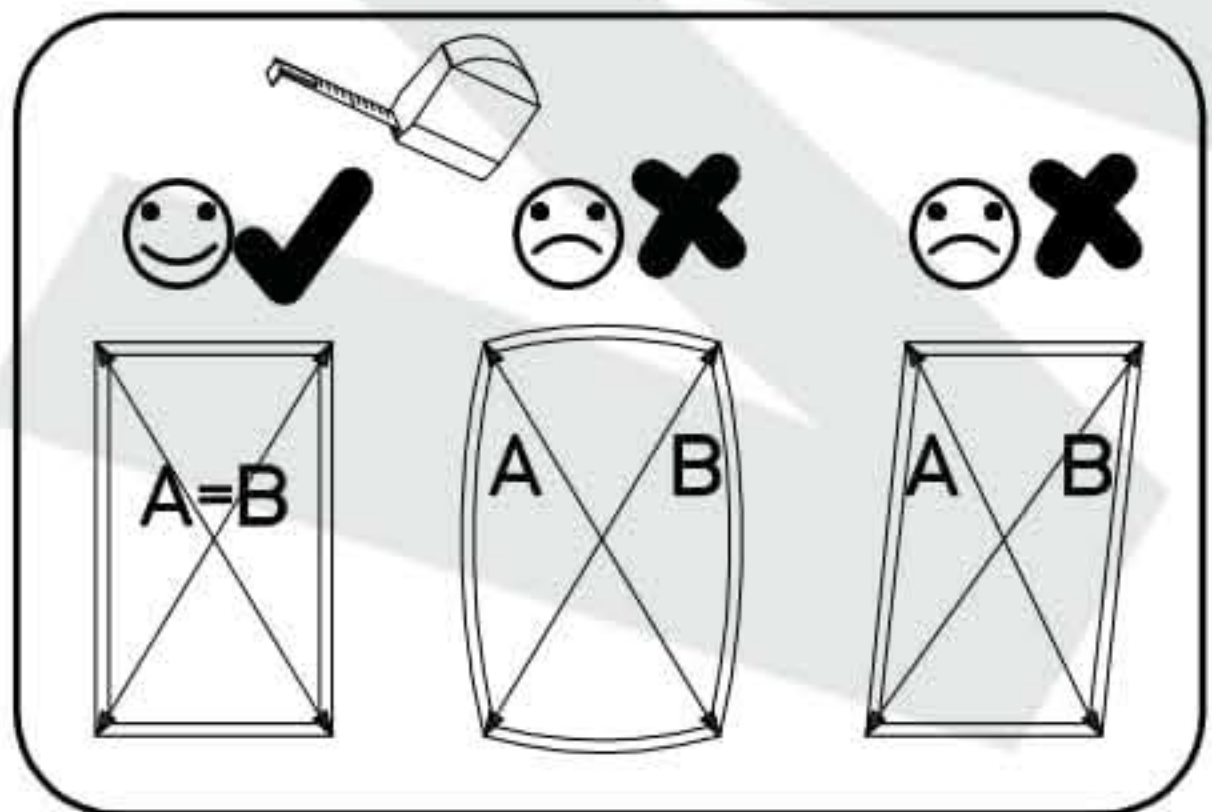
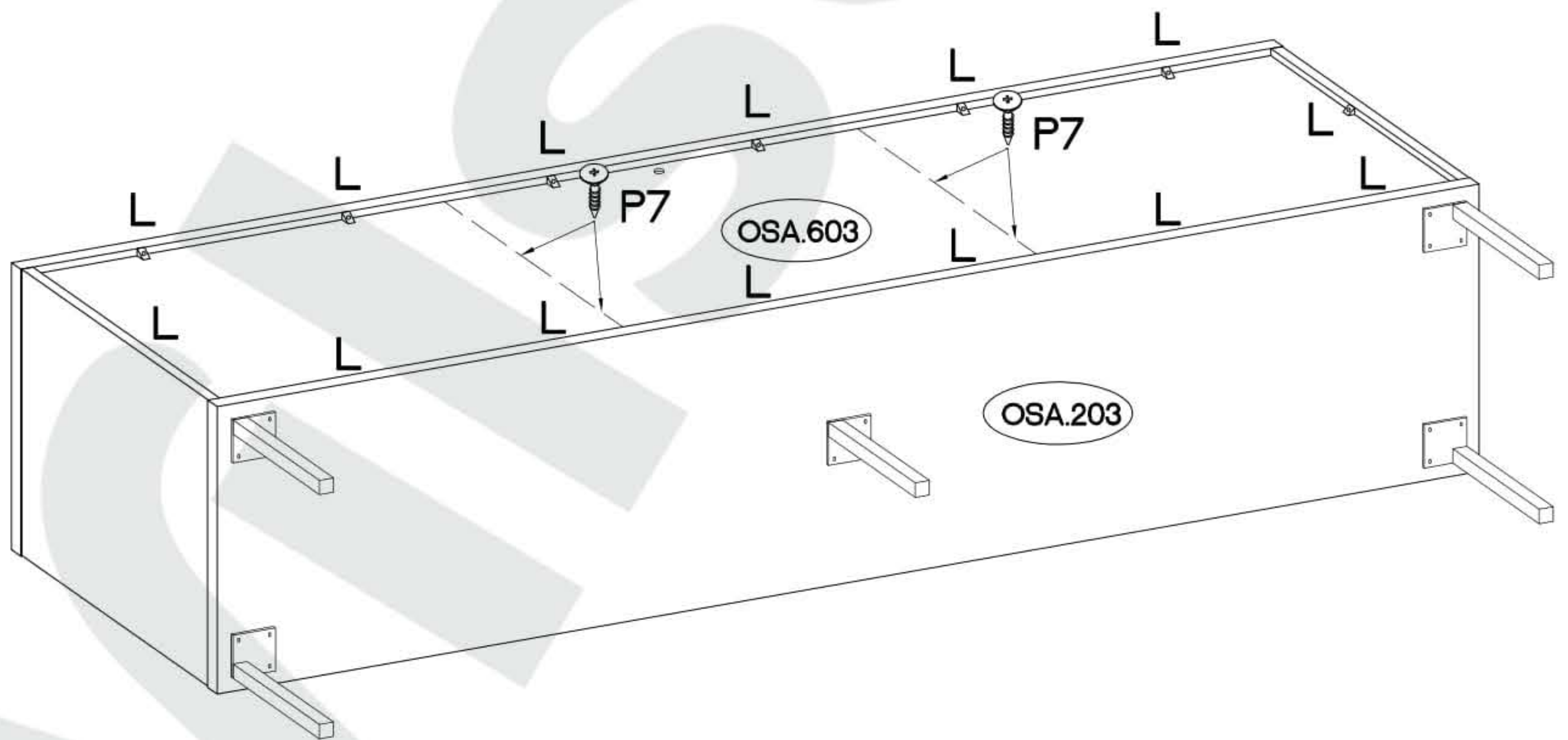
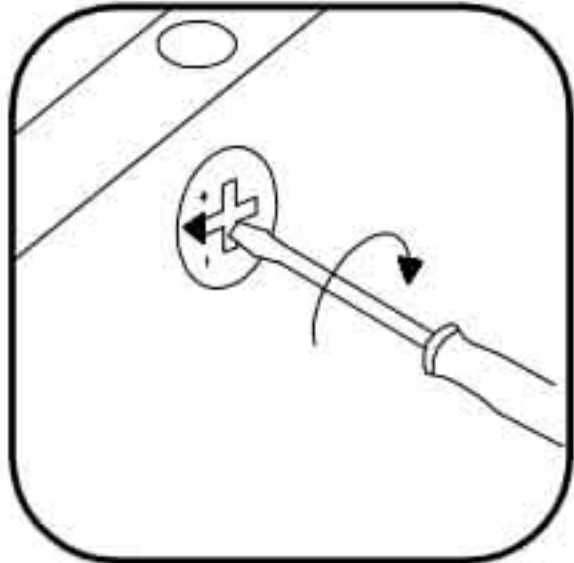
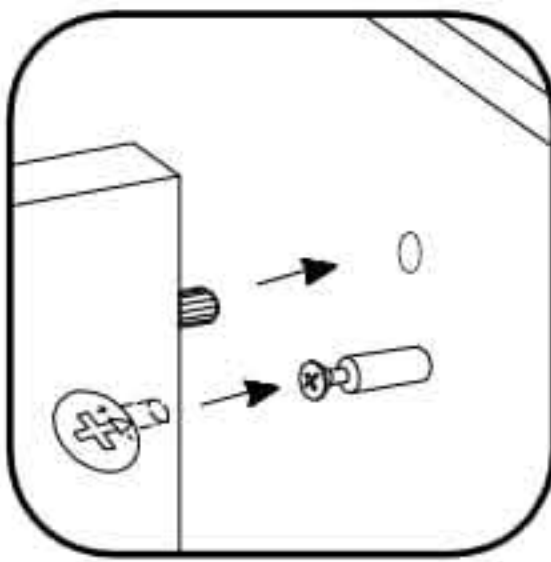
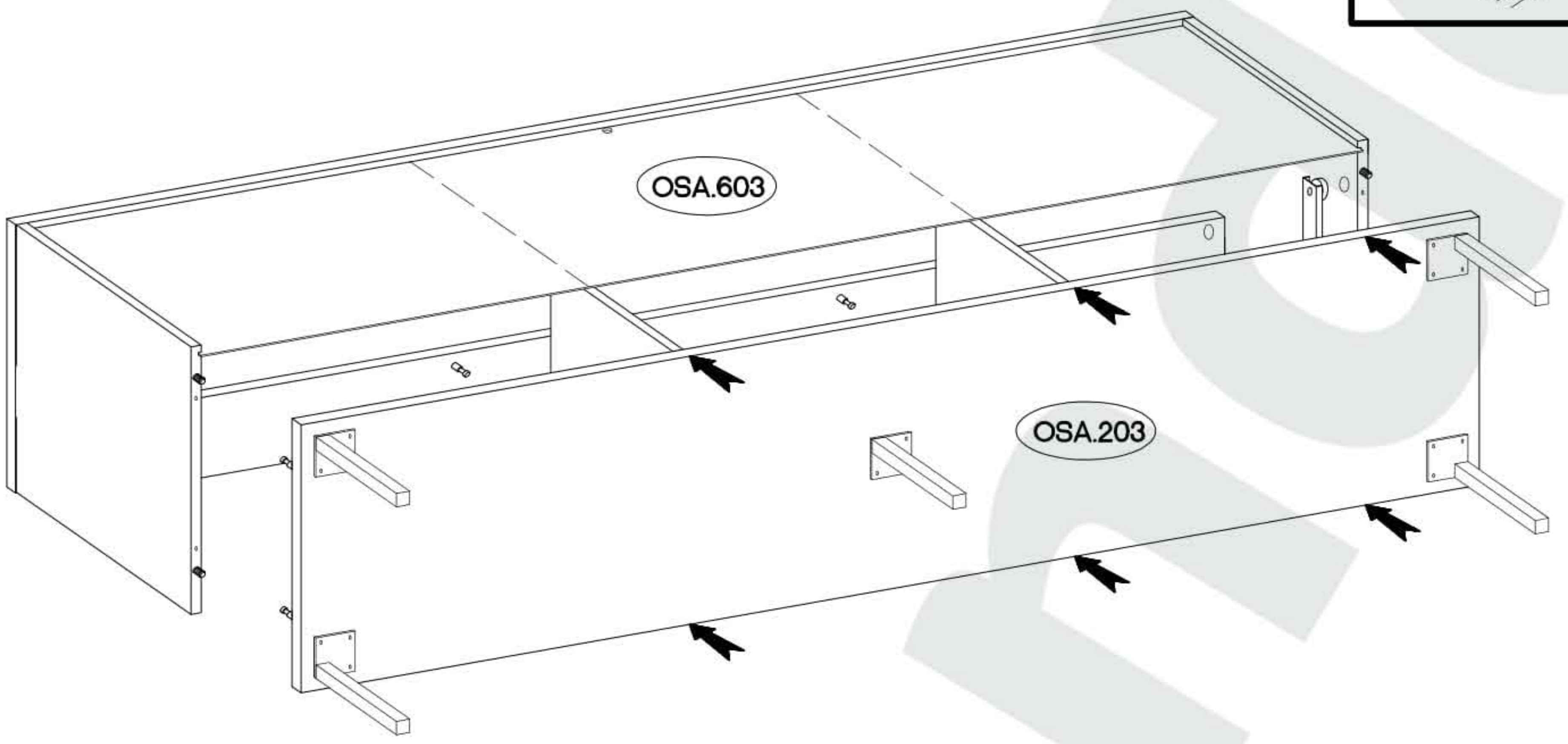
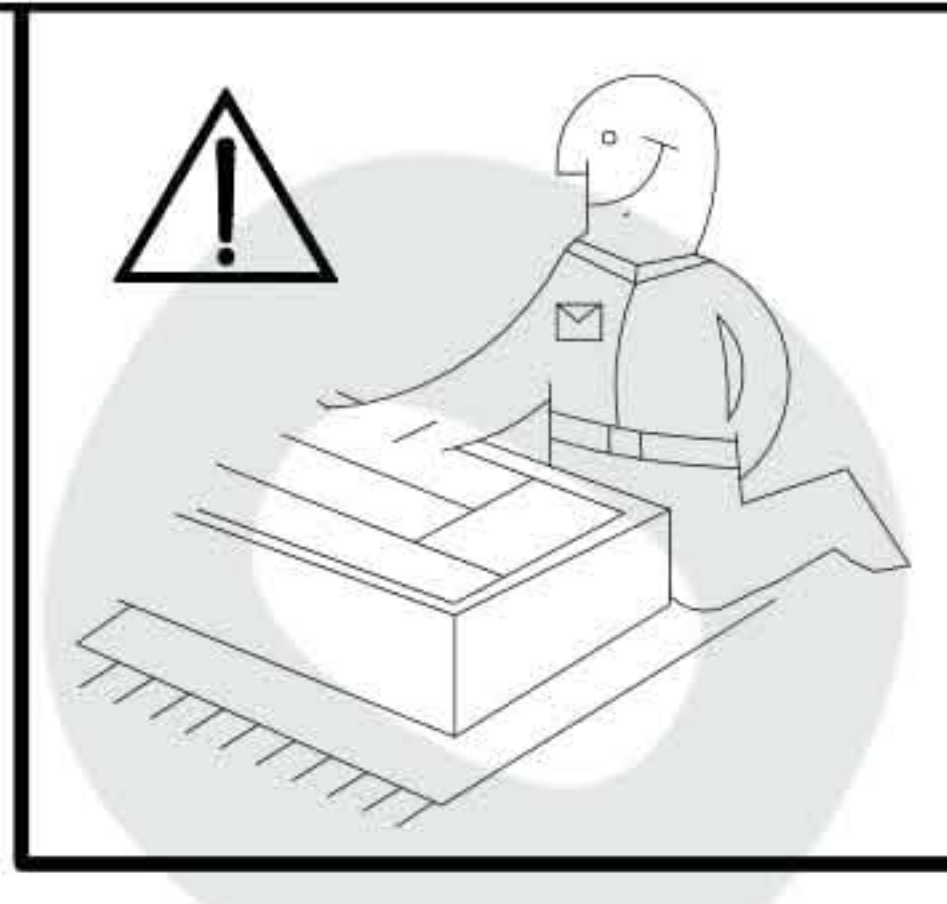
15








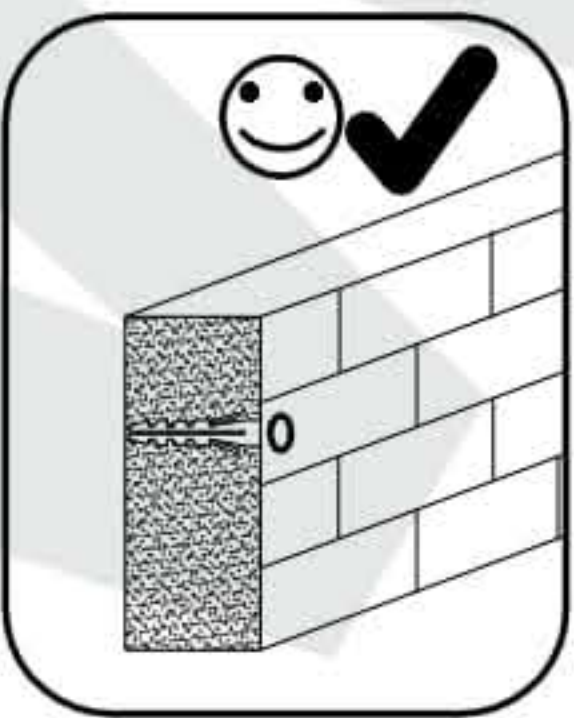
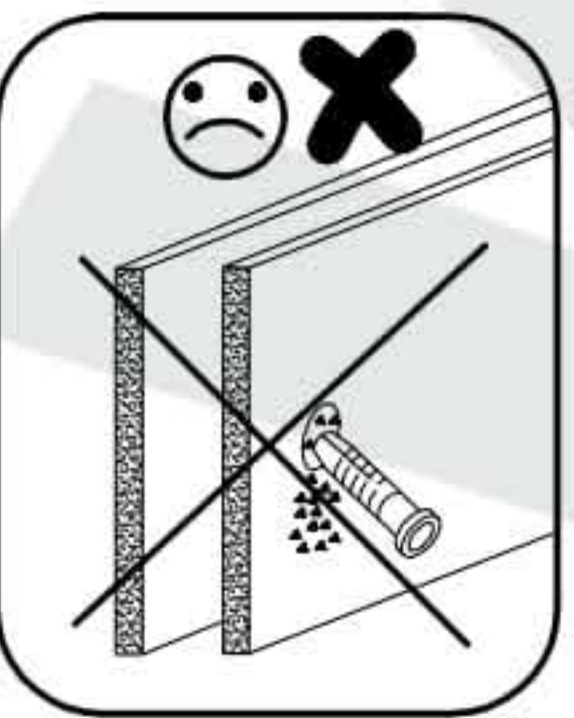
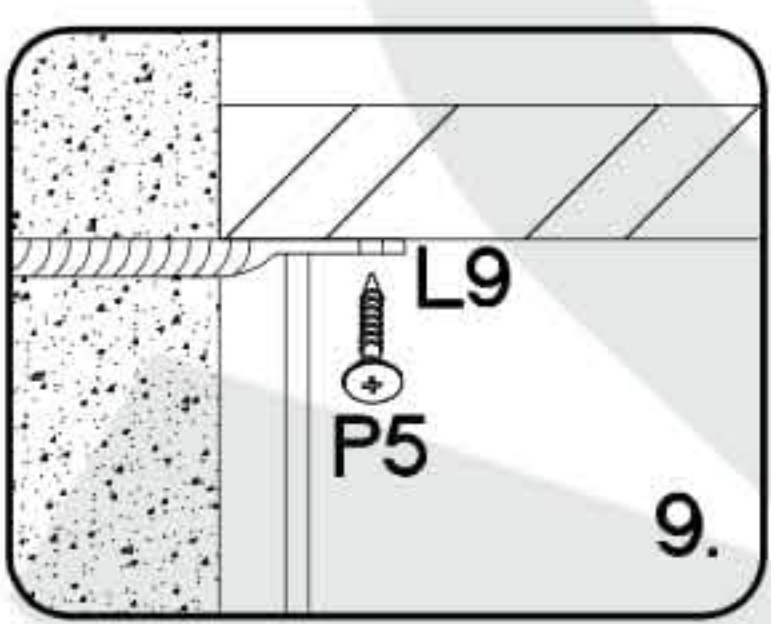
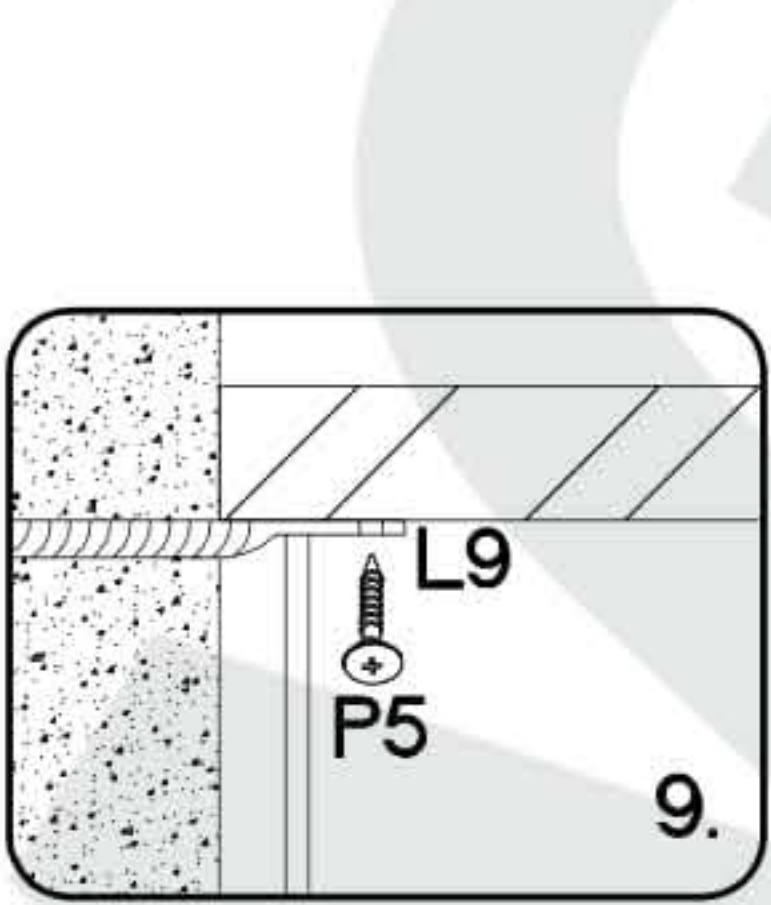
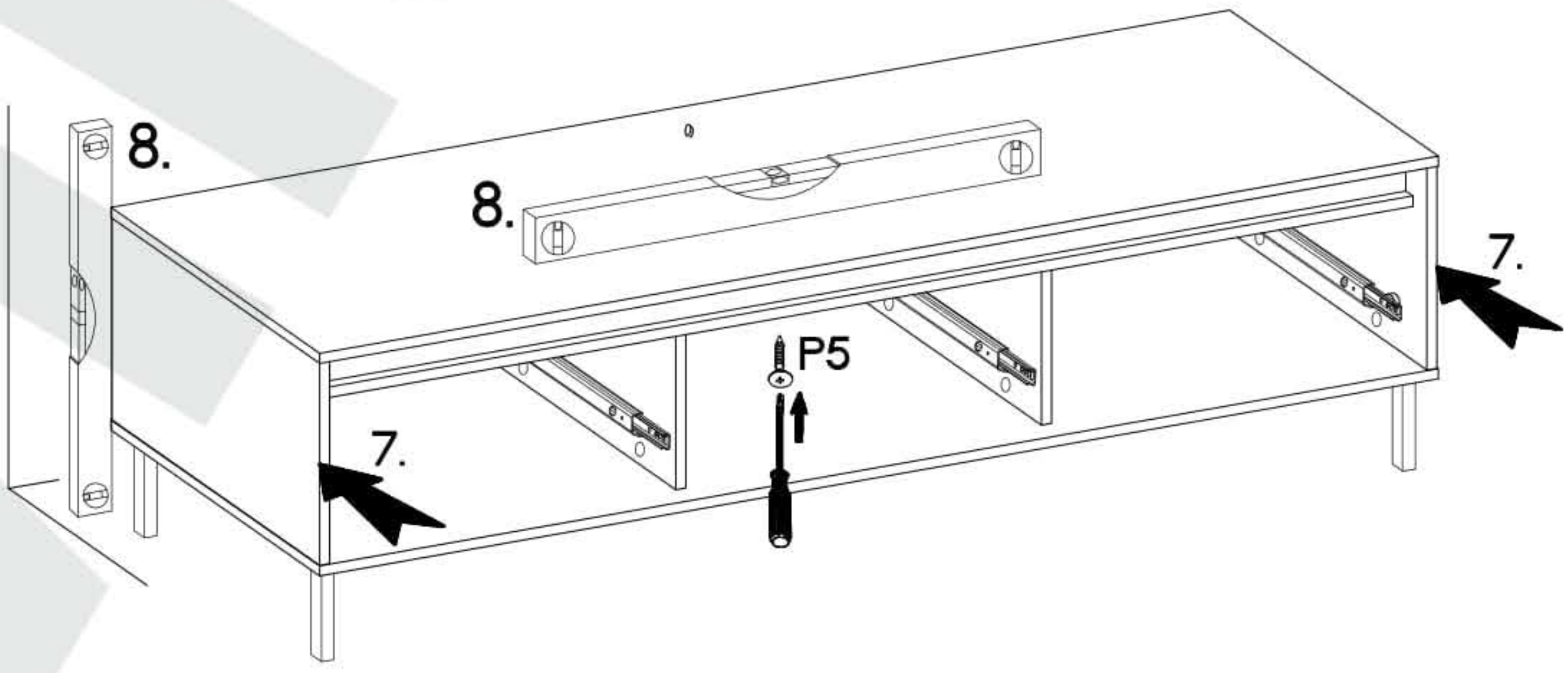
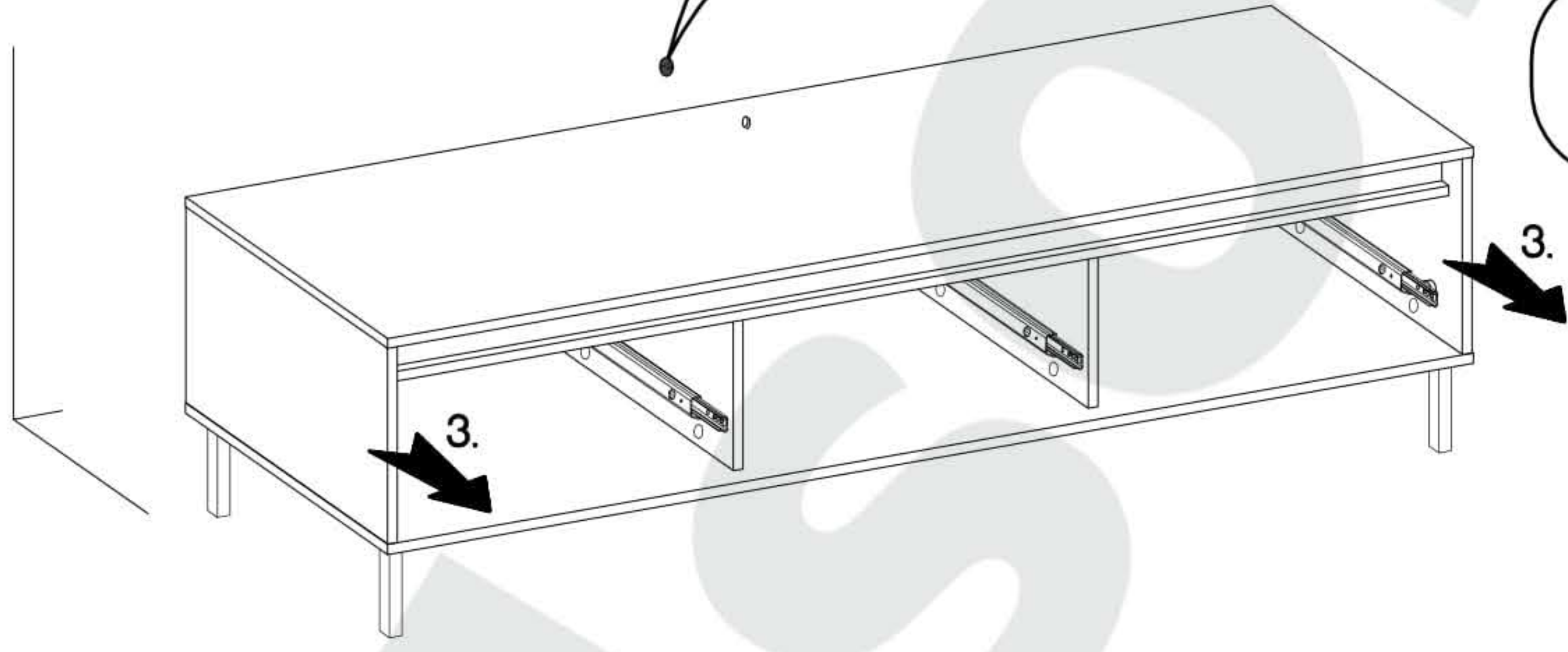
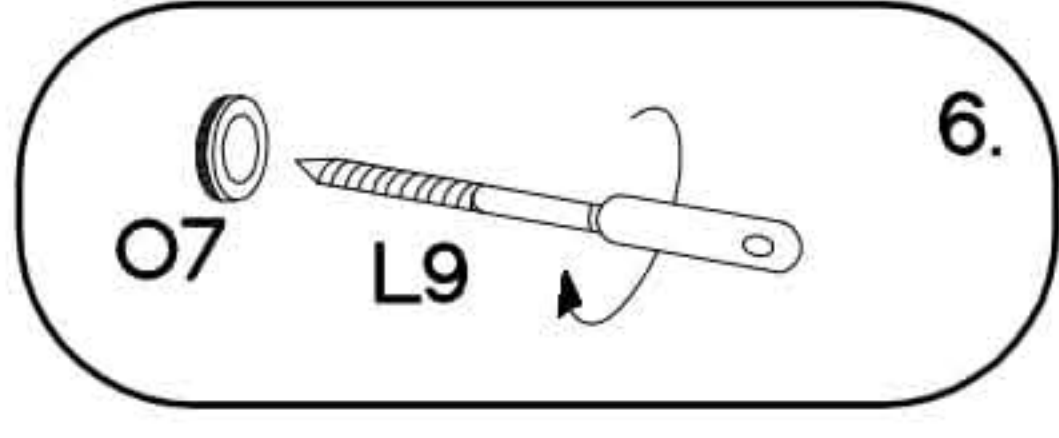
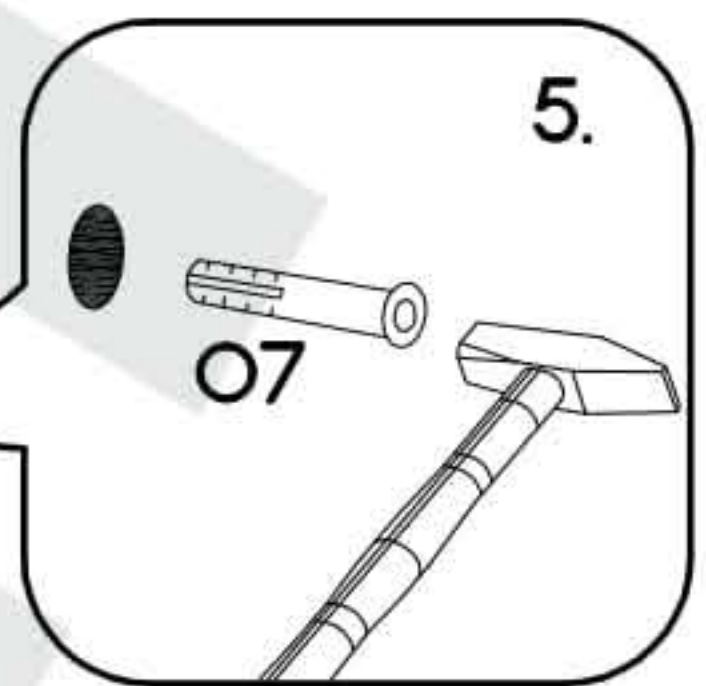
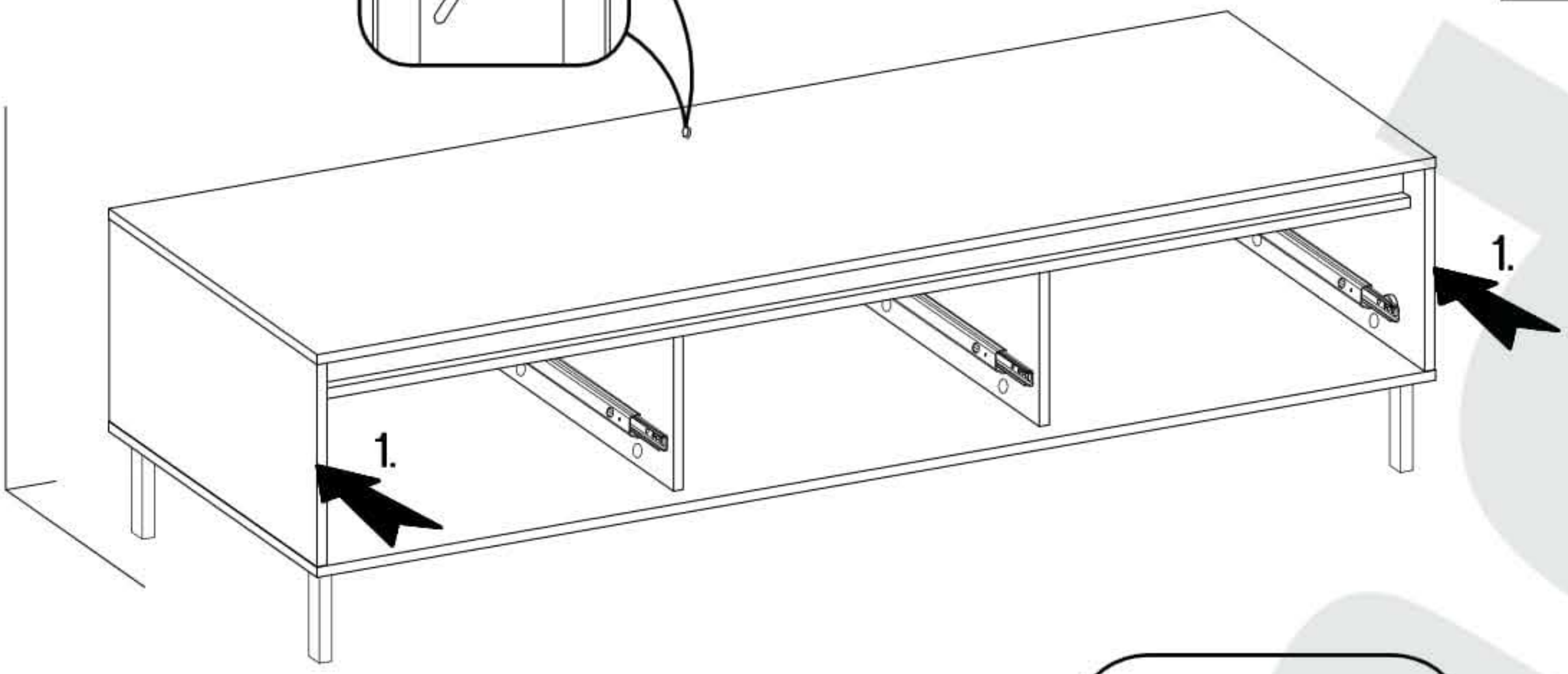
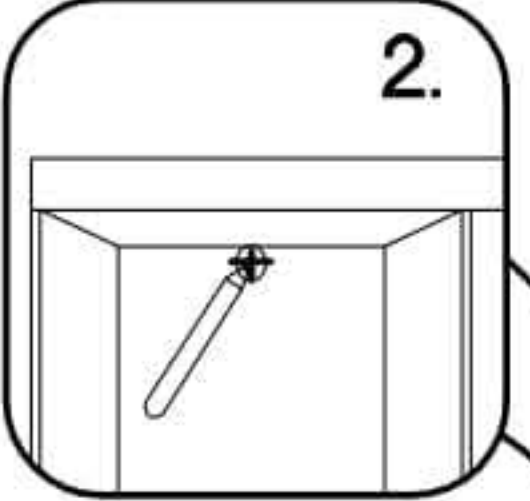
4	14
---	----

↑3.0x20mm  
P7  
L





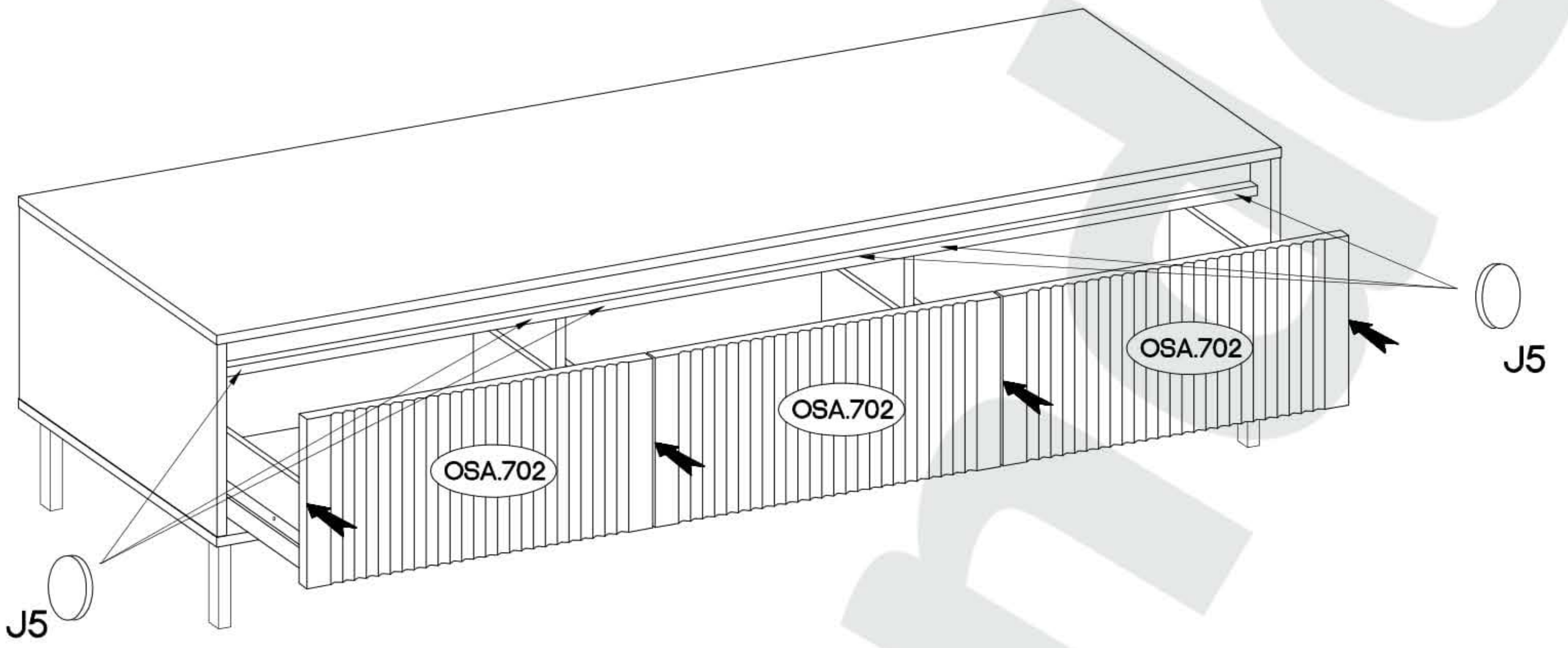


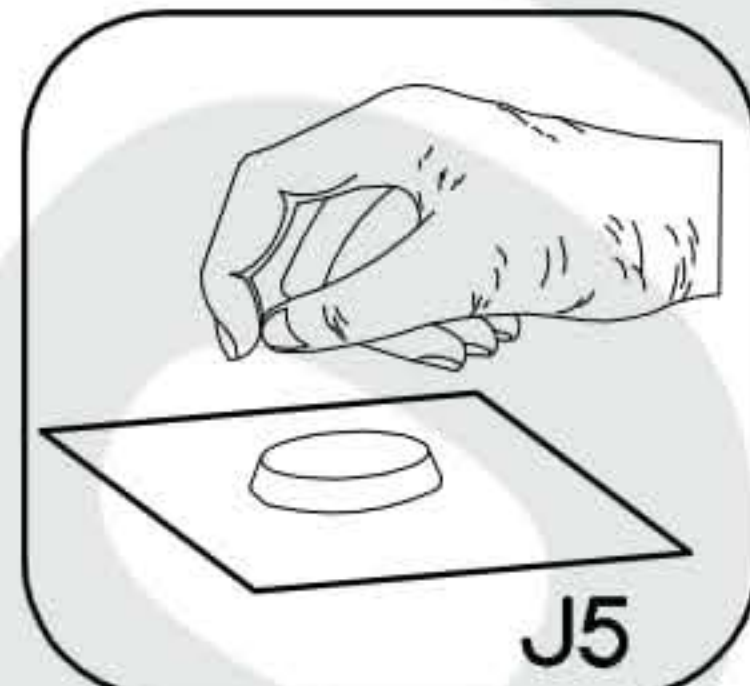
$\varnothing 10 \times 50 \text{mm}$  <b>O7</b> 1	 <b>L9</b> 1	$\varnothing 3.5 \times 13 \text{mm}$  <b>P5</b> 1
---	---	--





M4x9mm	±7/2mm
	
U1	J5
6	6



- 
- 