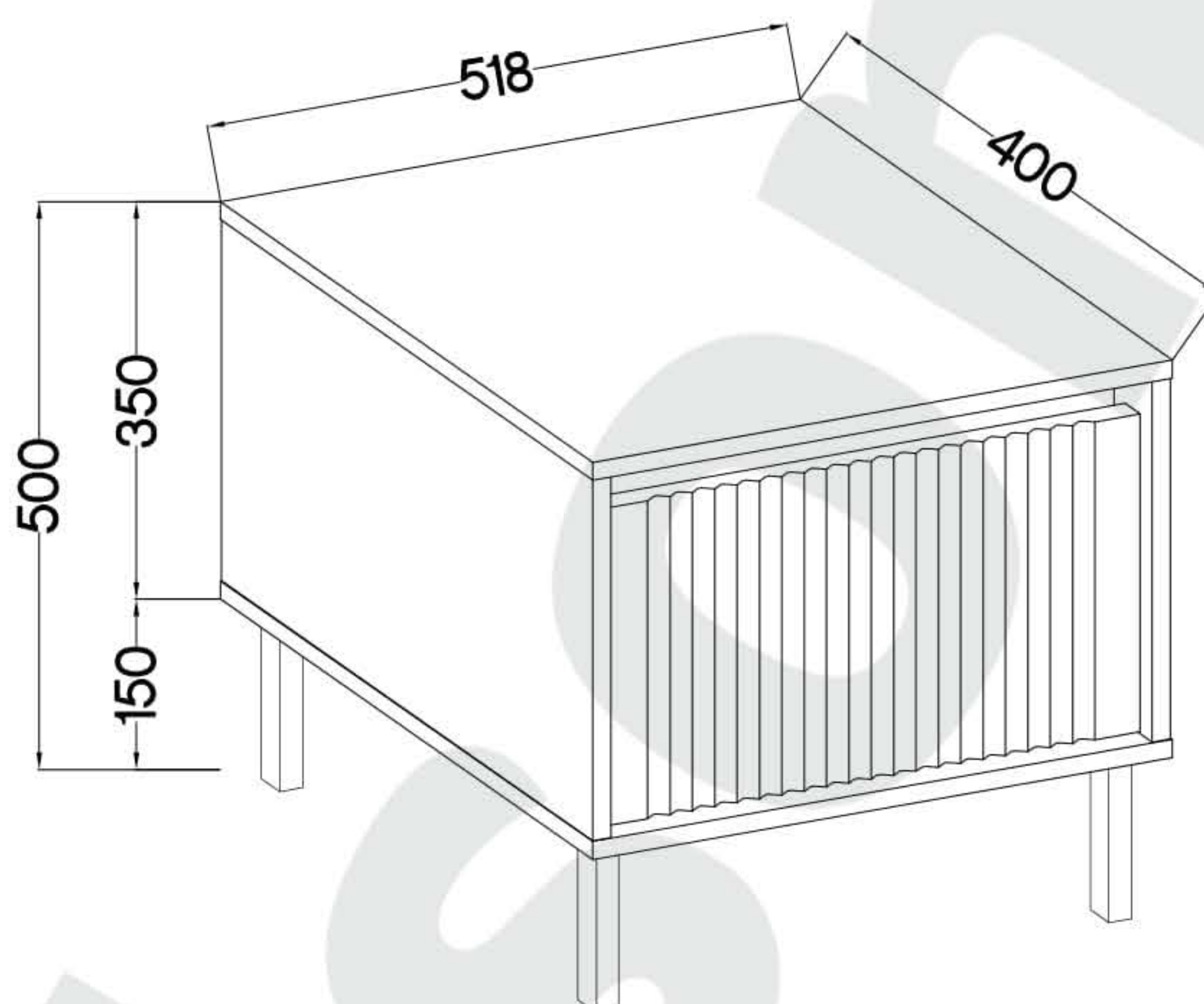


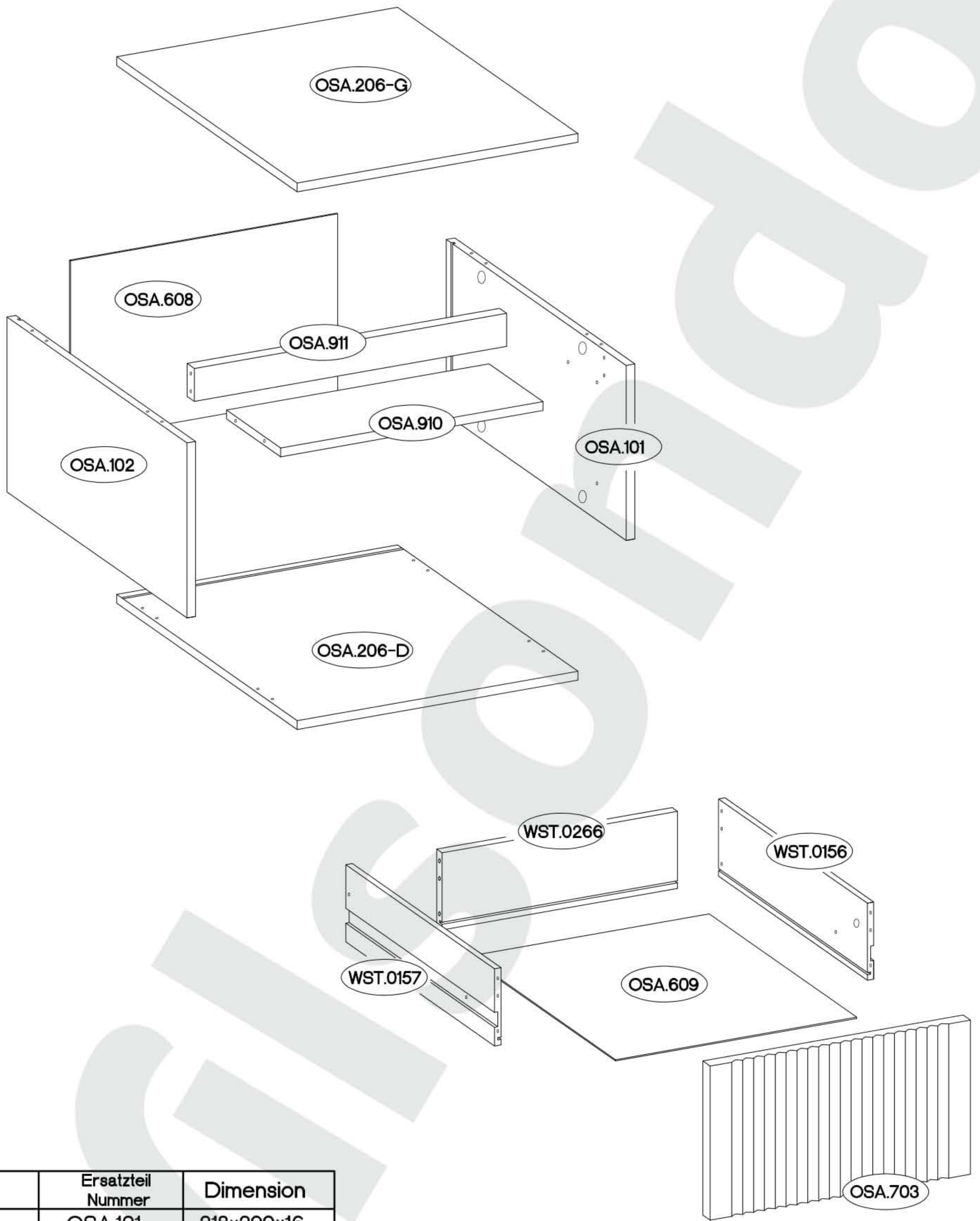
90 min

TYP 801



 †8x30mm A 22	 †6x42mm B2 2	 †15/12mm C 10	 †12/10mm C5 2	 L=20mm D2 12						
 L=150mm F34 4	 27/310mm I4 1	 †7/2mm J5 2	 †20/8mm J14 4	 L 8	 L9 1	 †6.3x20mm M3 4	 †10x50mm O7 1	 †3.5x13mm P5 1	 †4.0x16mm R11 12	 M4x9mm U1 2

ISM-OSA-005



	Ersatzteil Nummer	Dimension
	OSA.101	318x399x16
	OSA.102	318x399x16
	OSA.206 x2	518x400x16
	OSA.910	484x120x16
	OSA.911	484x60x16
	OSA.608	493x327x2,5
	OSA.609	445x327x2,5
	WST.0156	330x140x12
	WST.0157	330x140x12
	WST.0266 x2	434x140x12
	TKO.703	280x480x16


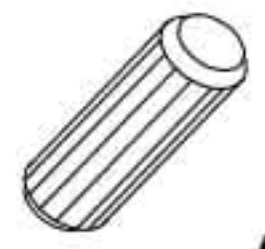


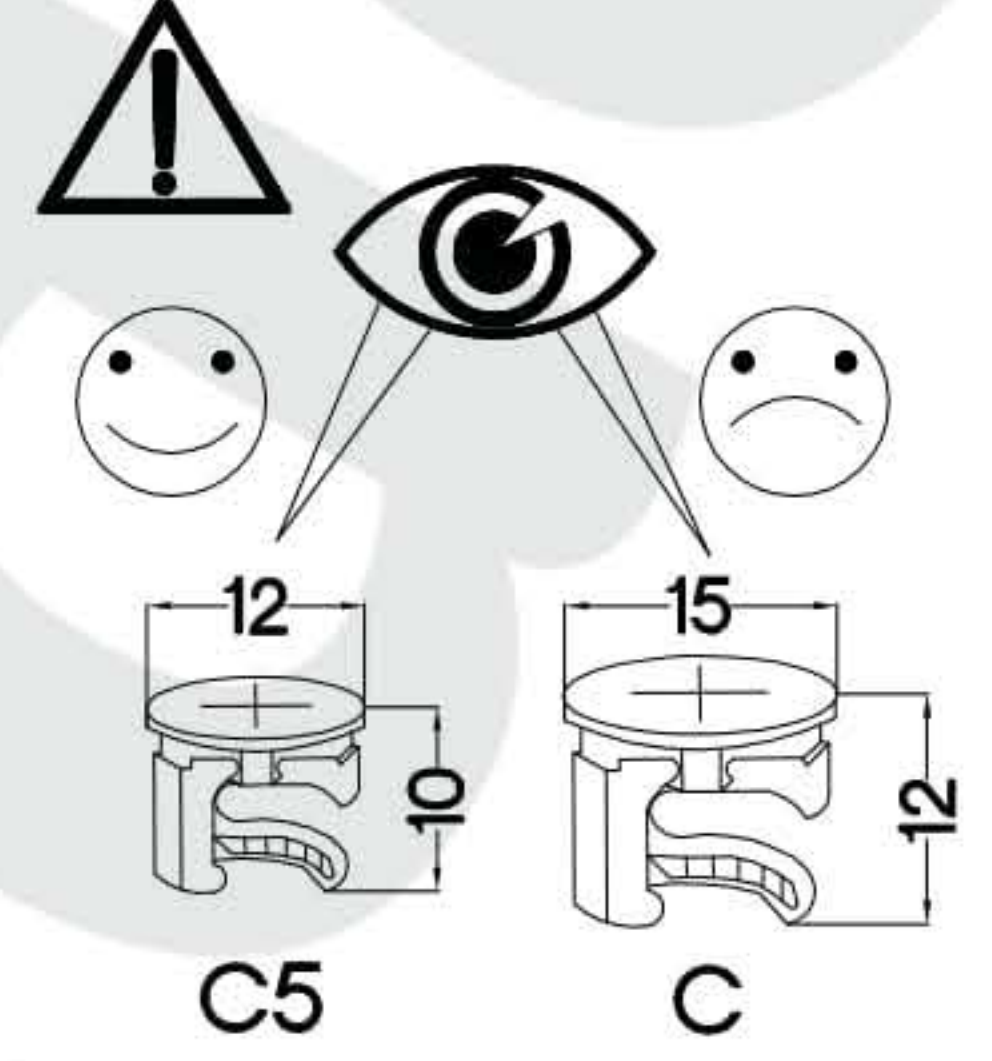
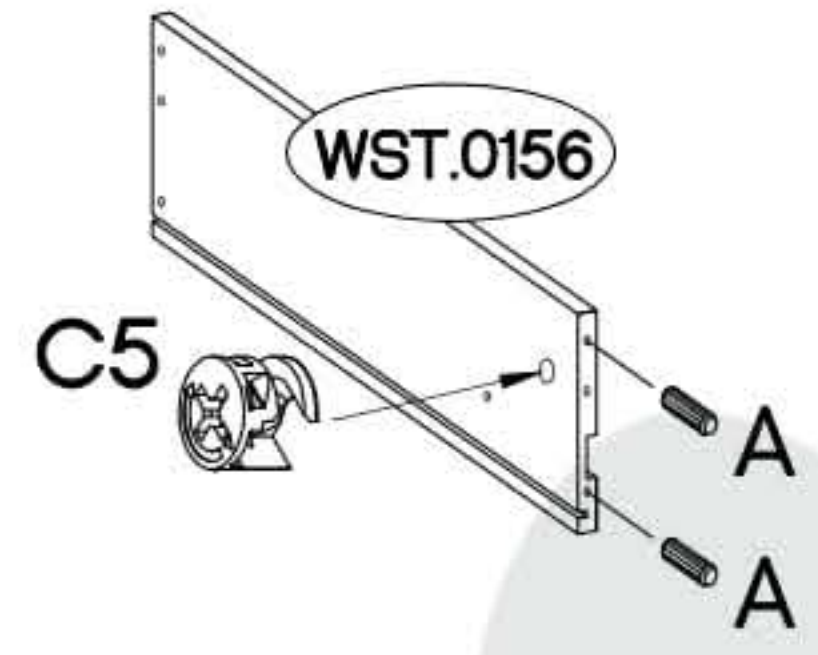
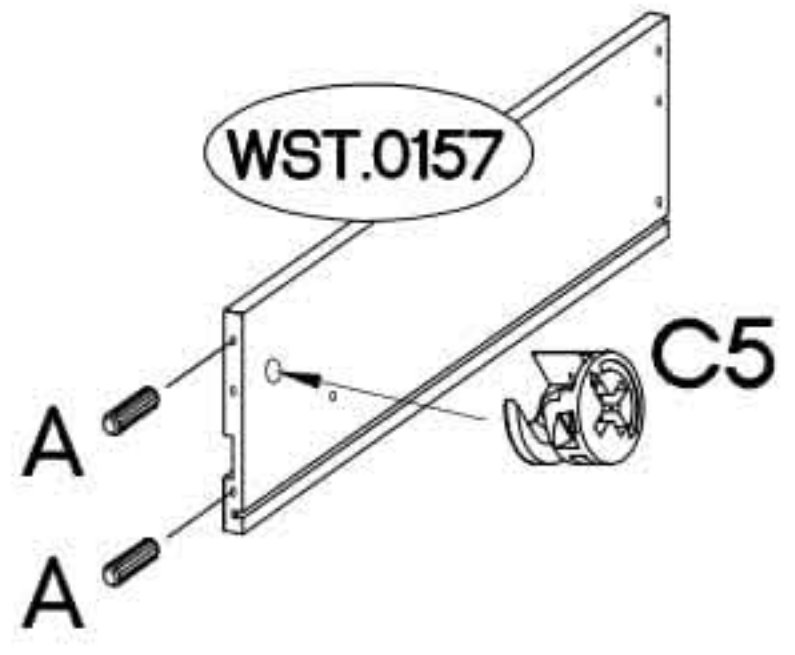
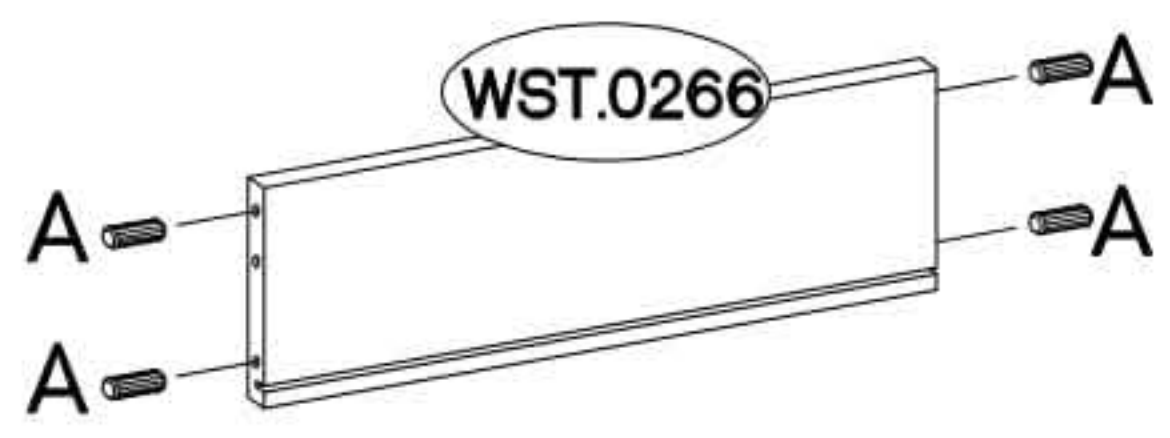
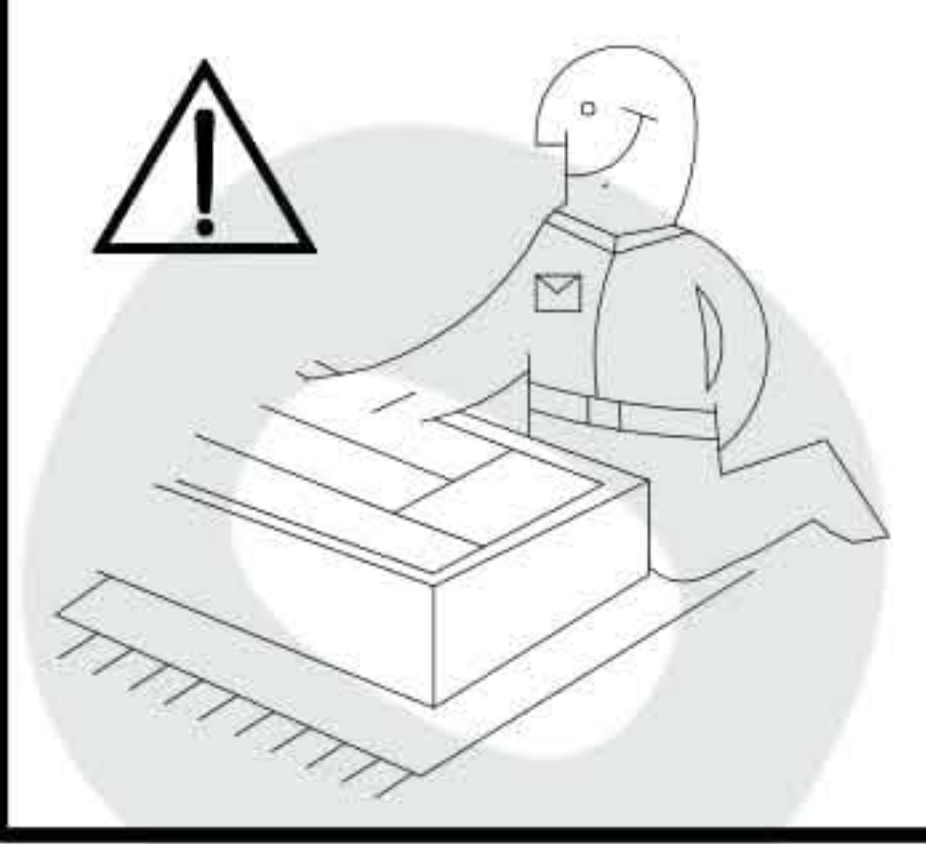
OSA.206-G



OSA.609

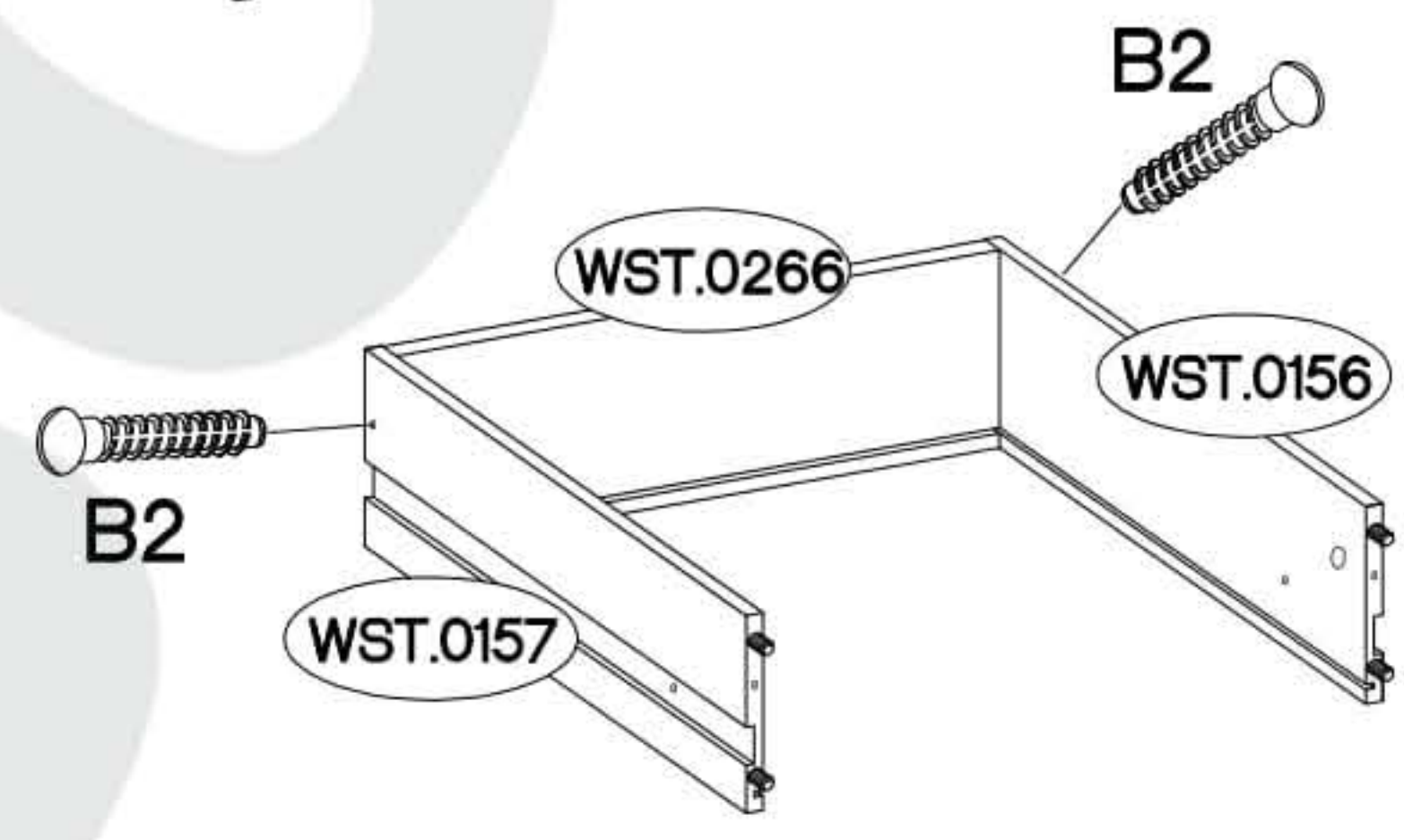
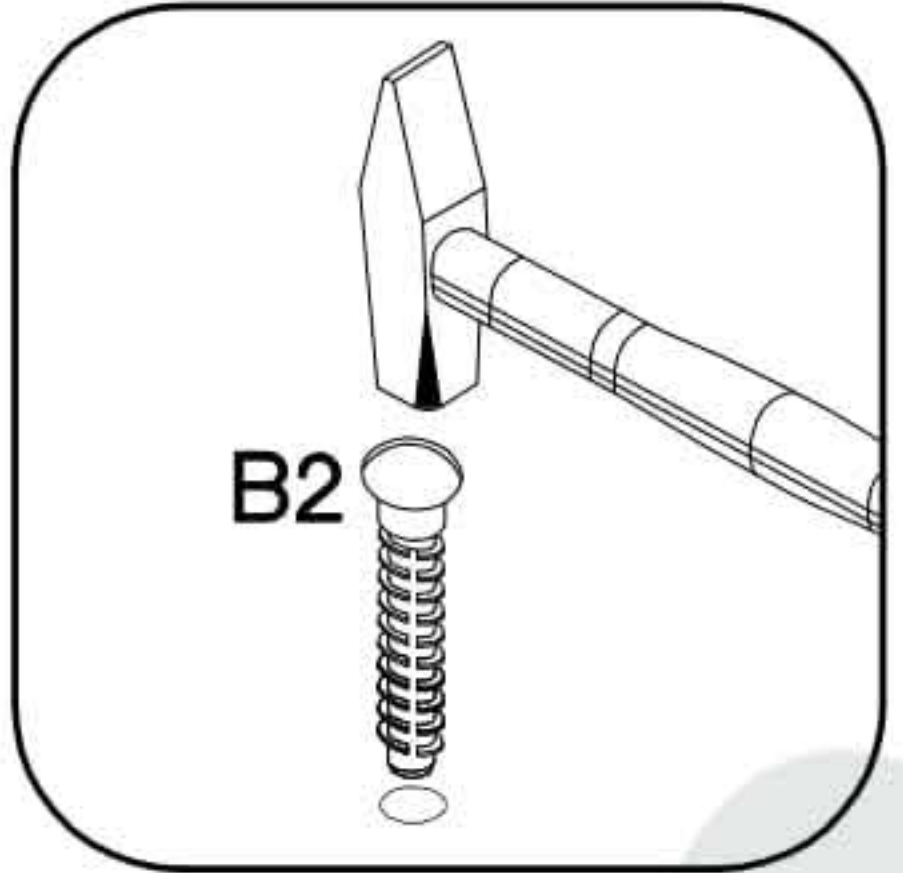
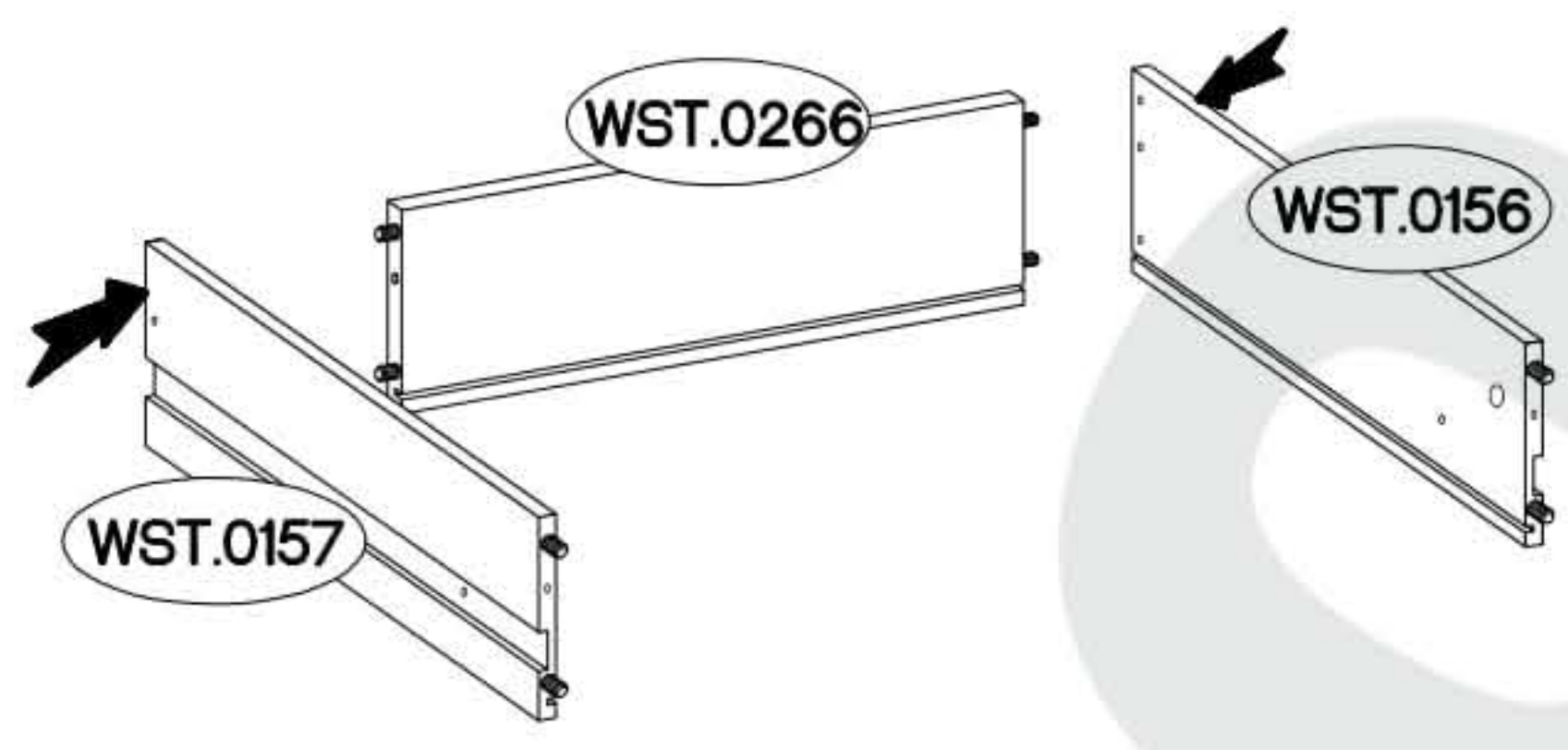
1

†12/10mm  C5 2	†8x30mm  A 8
---	---



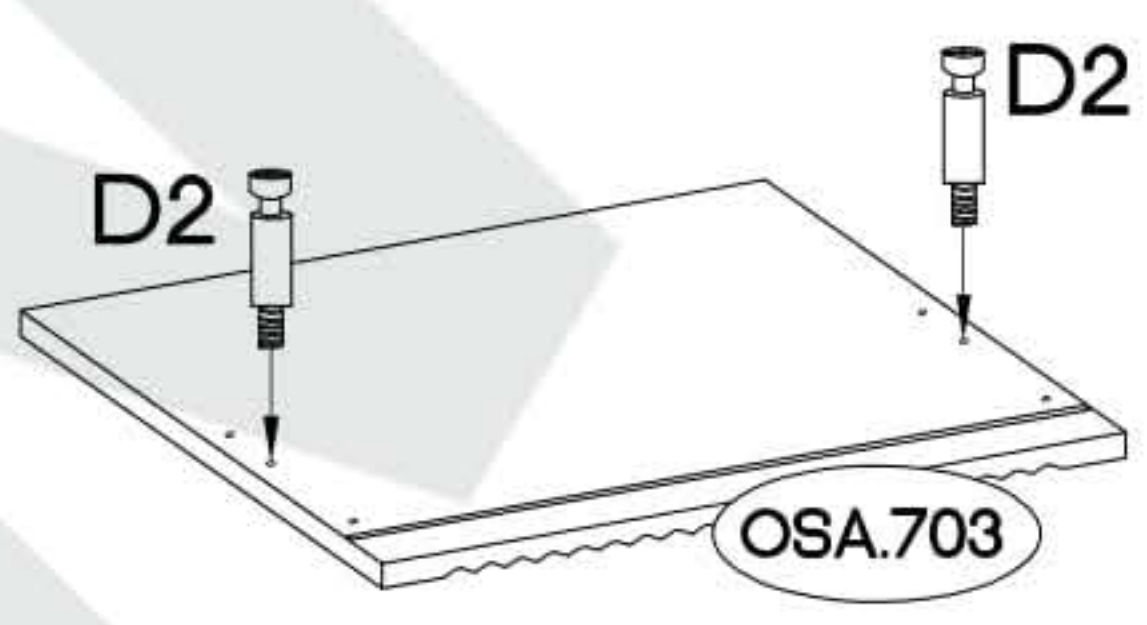
2

†6x42mm  B2 2

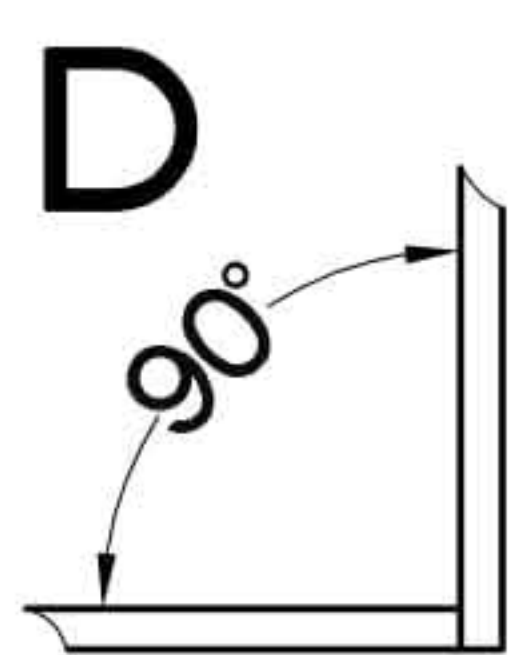
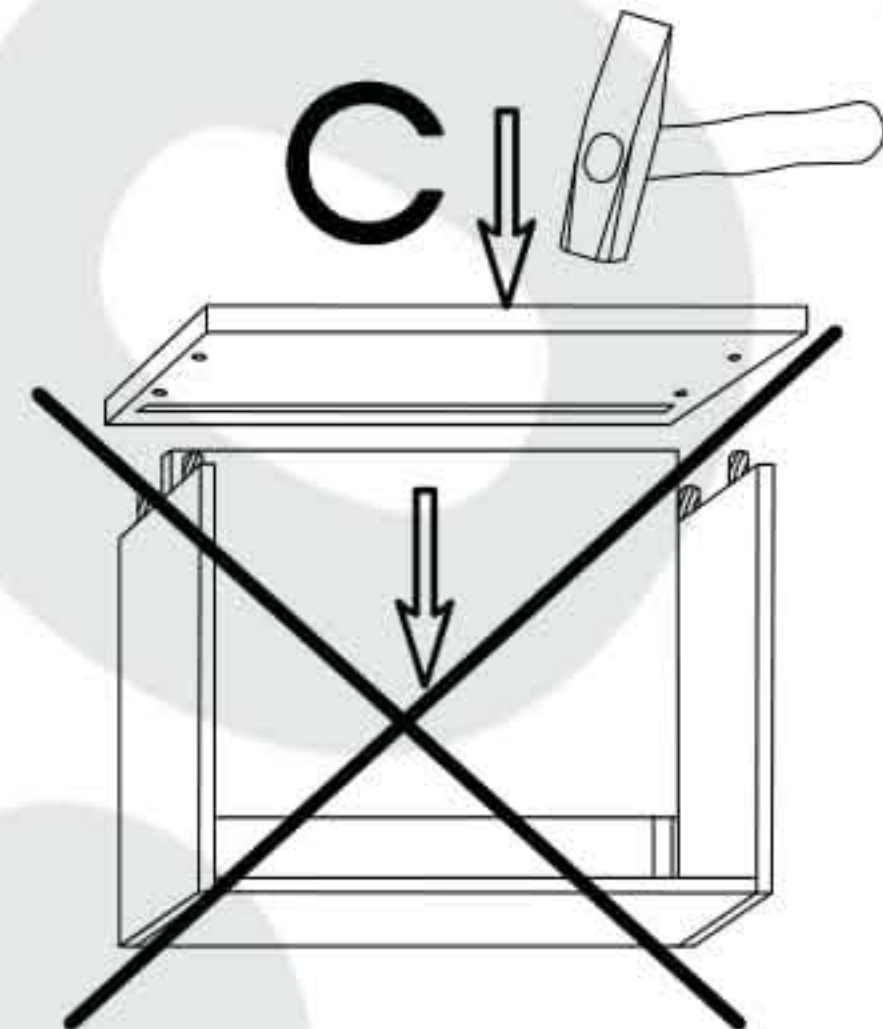
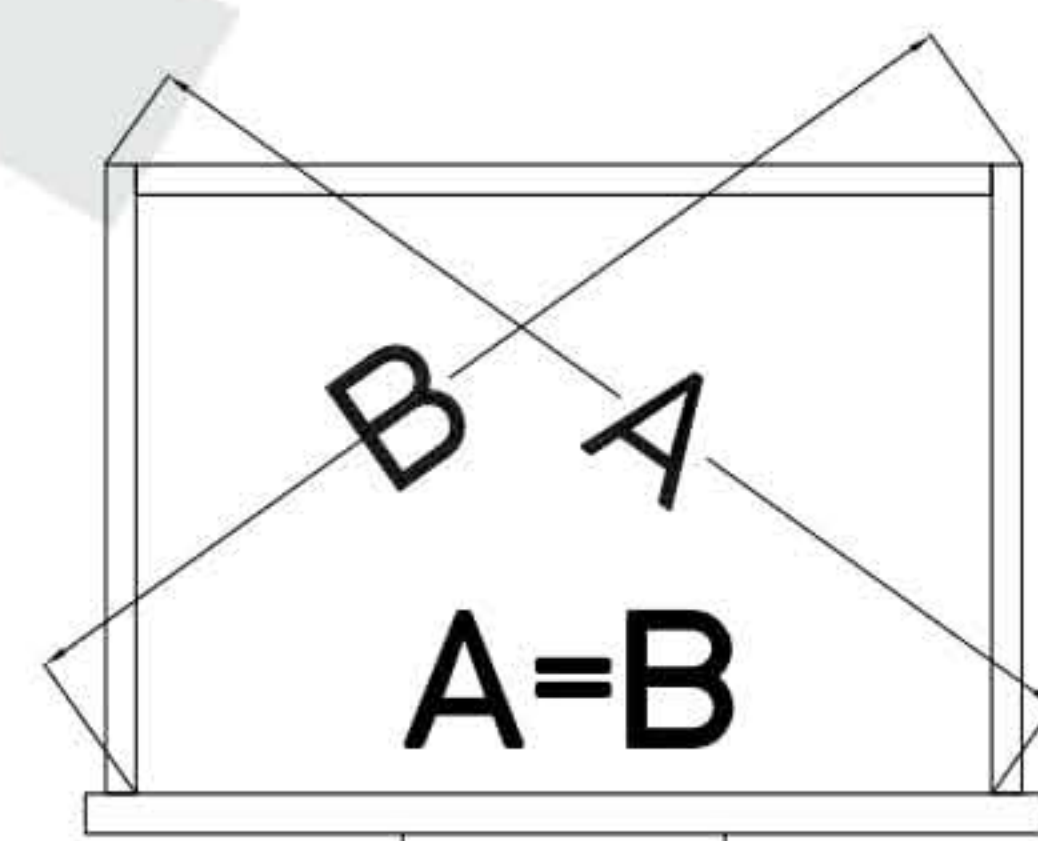
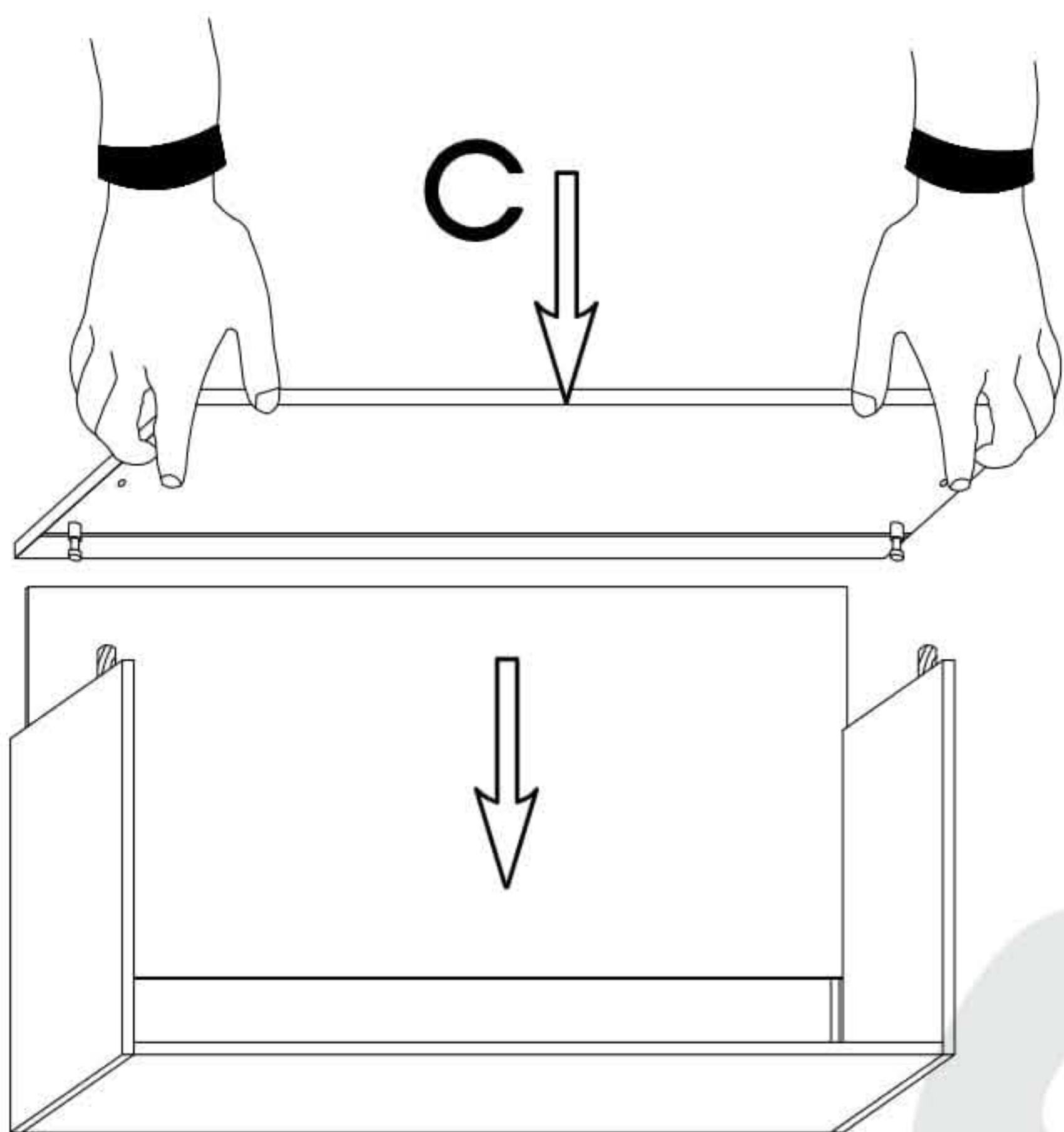
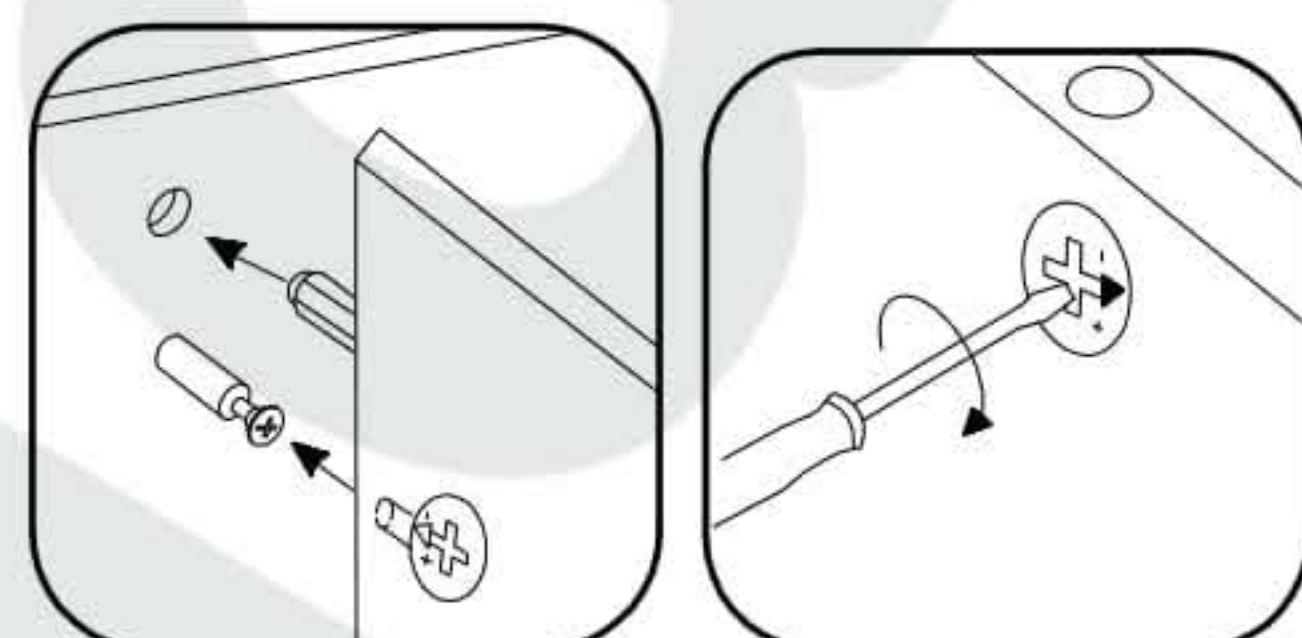
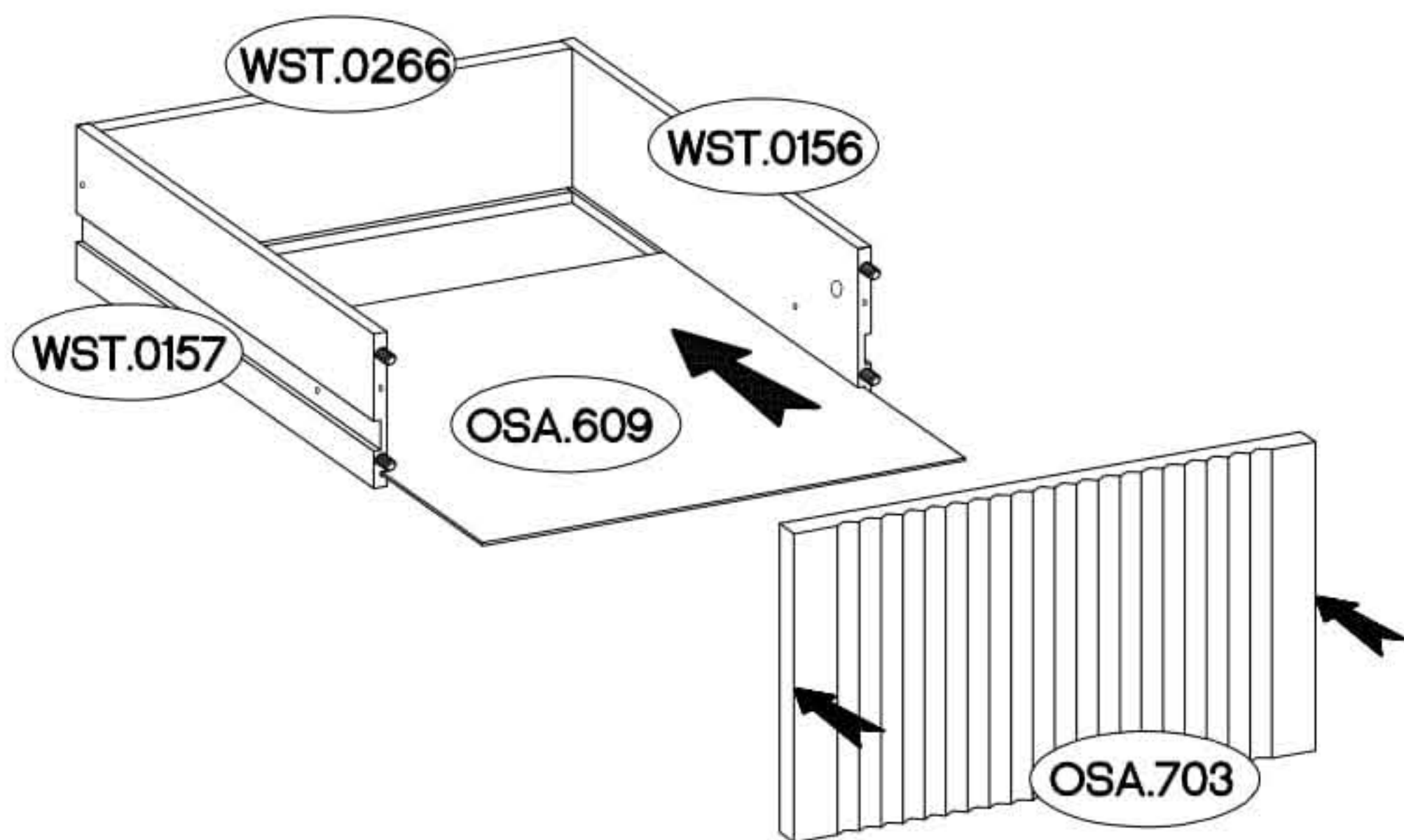
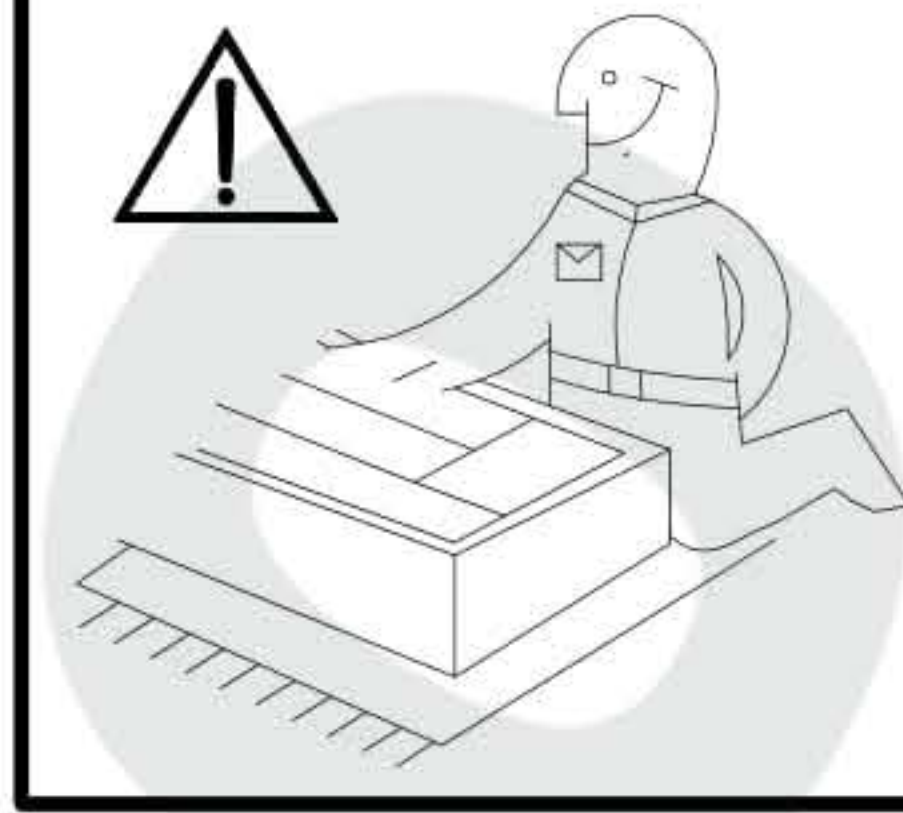


3

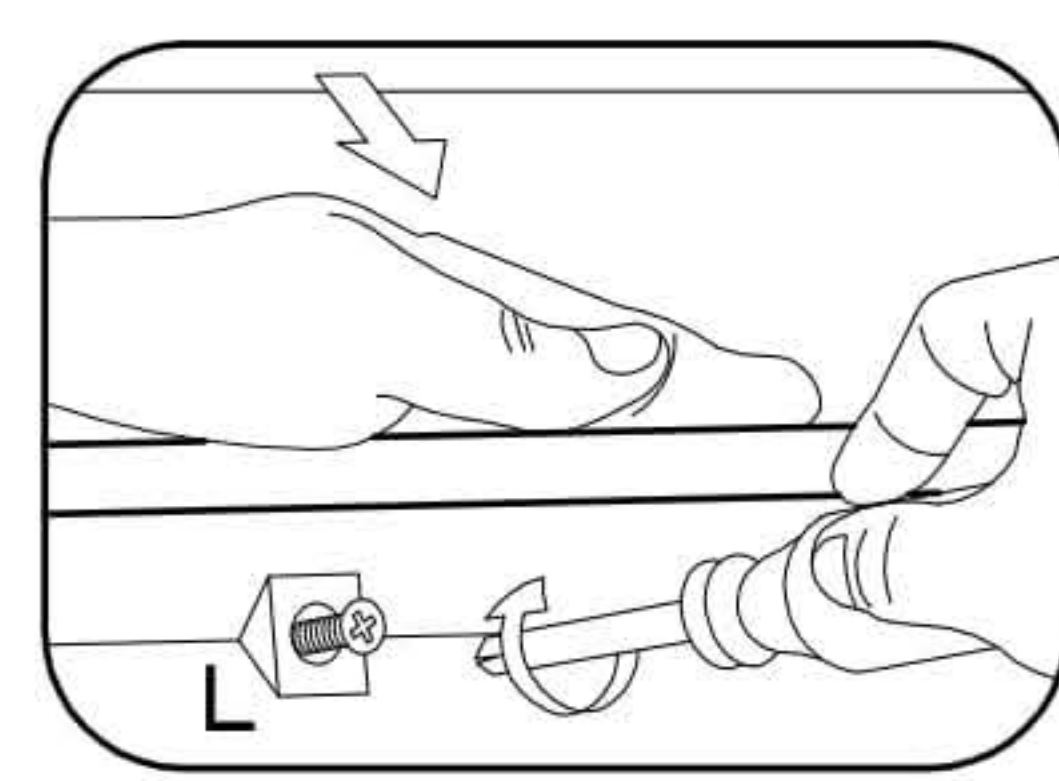
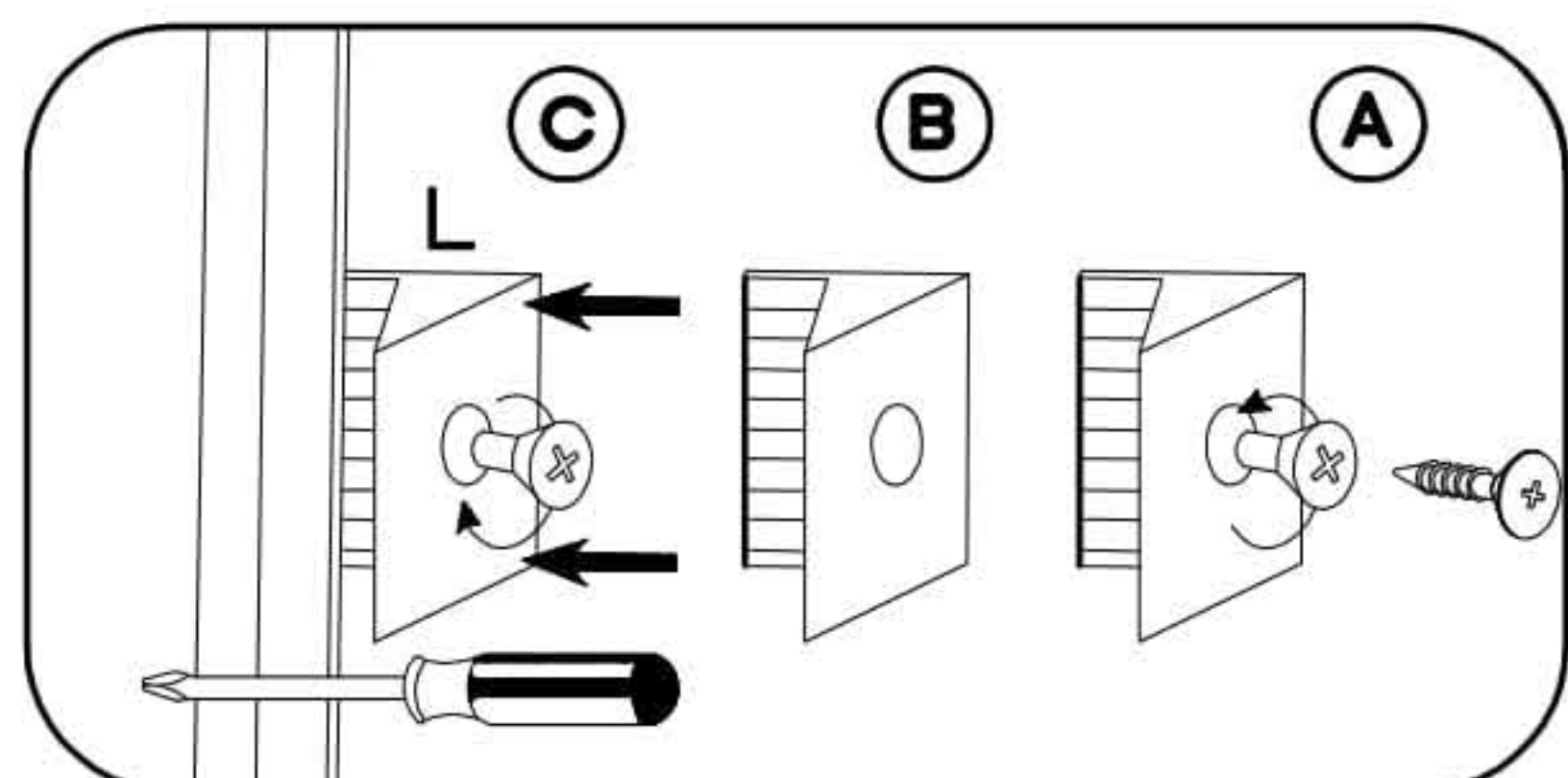
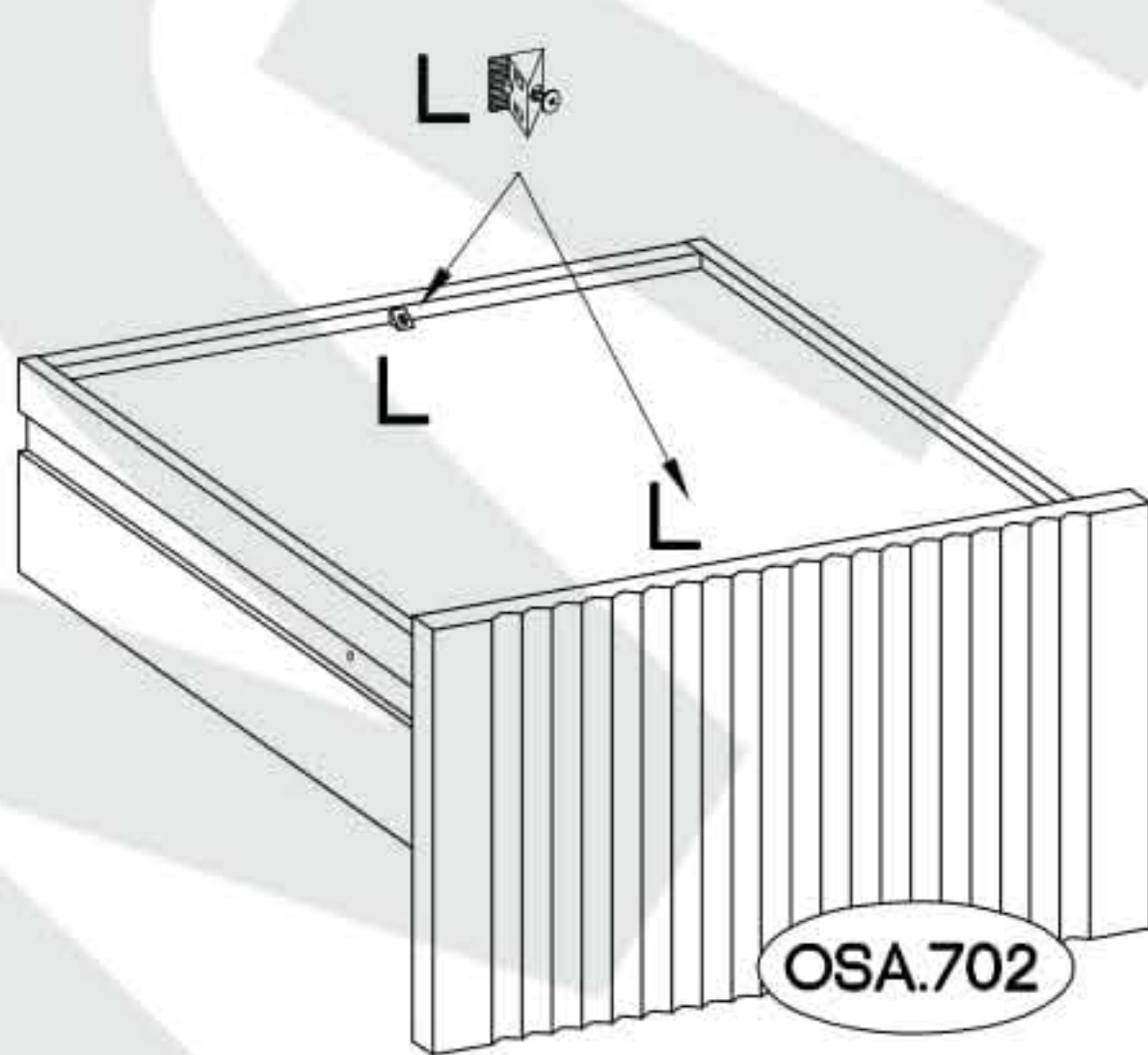
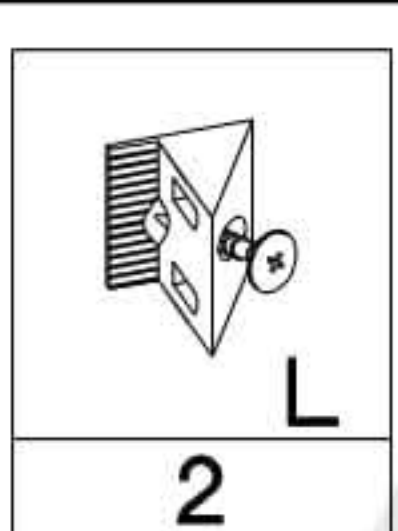
L=20mm  D2 2
--




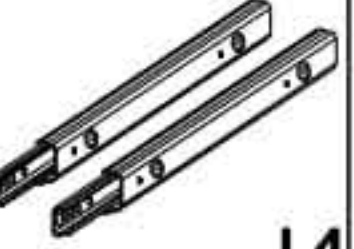

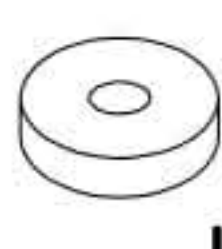


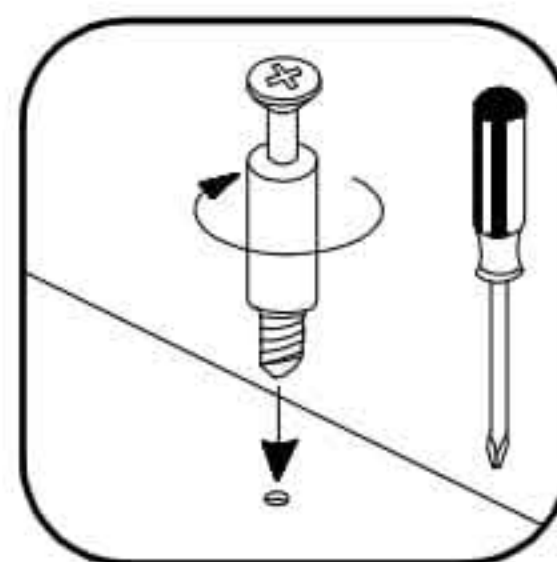
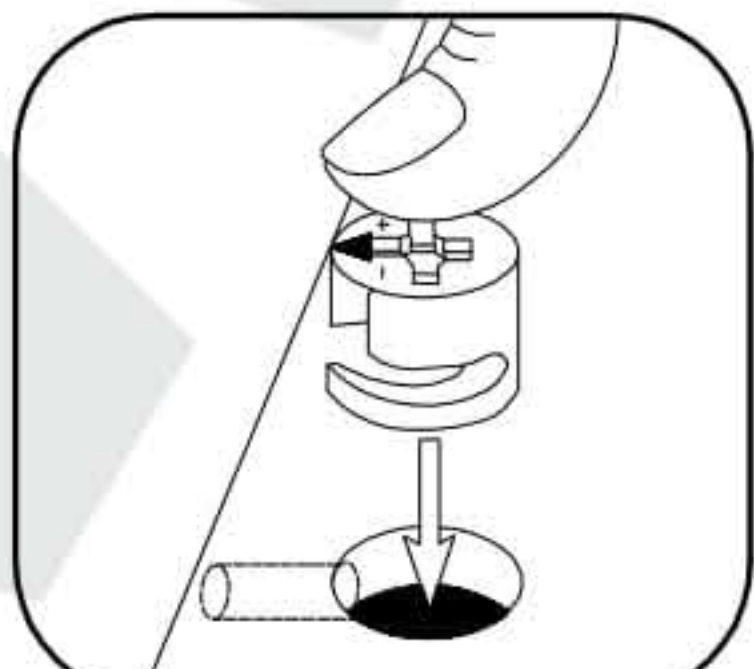
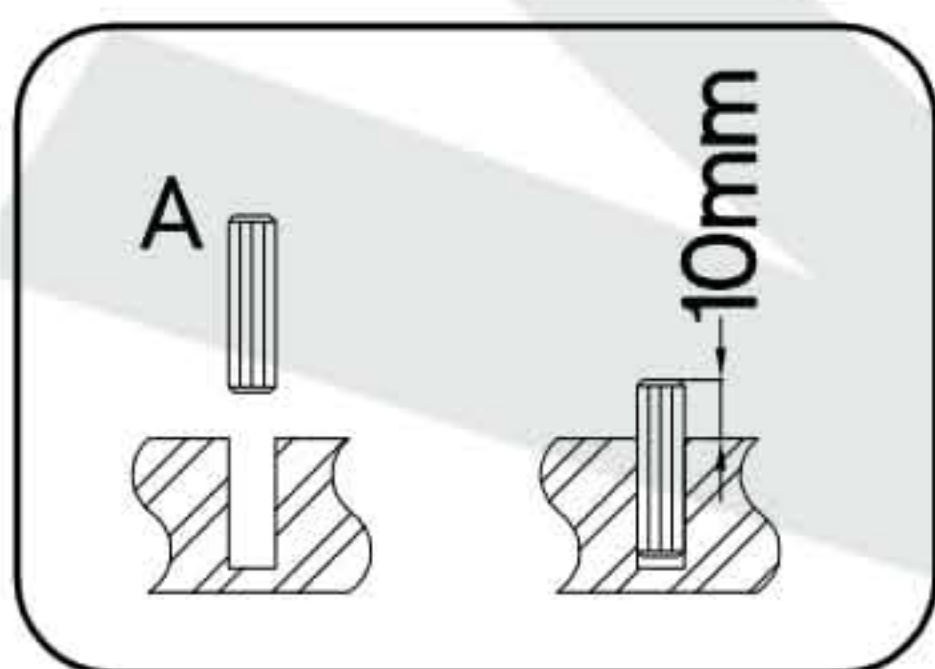
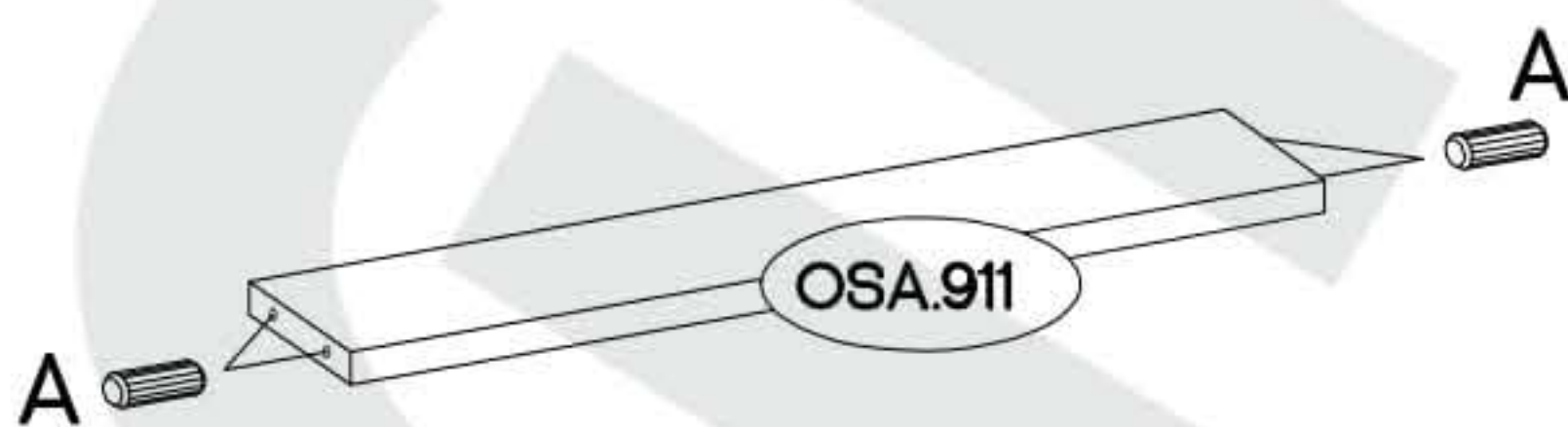
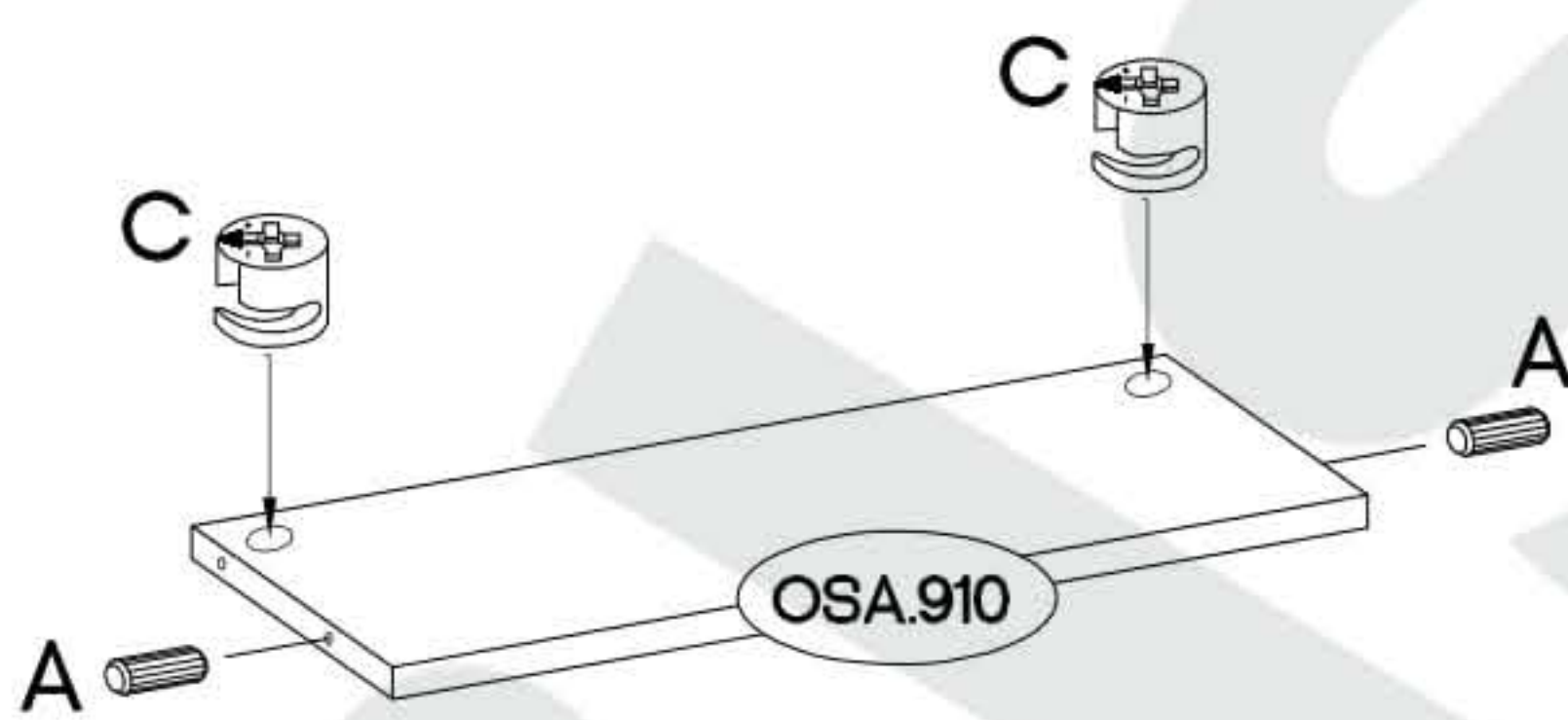
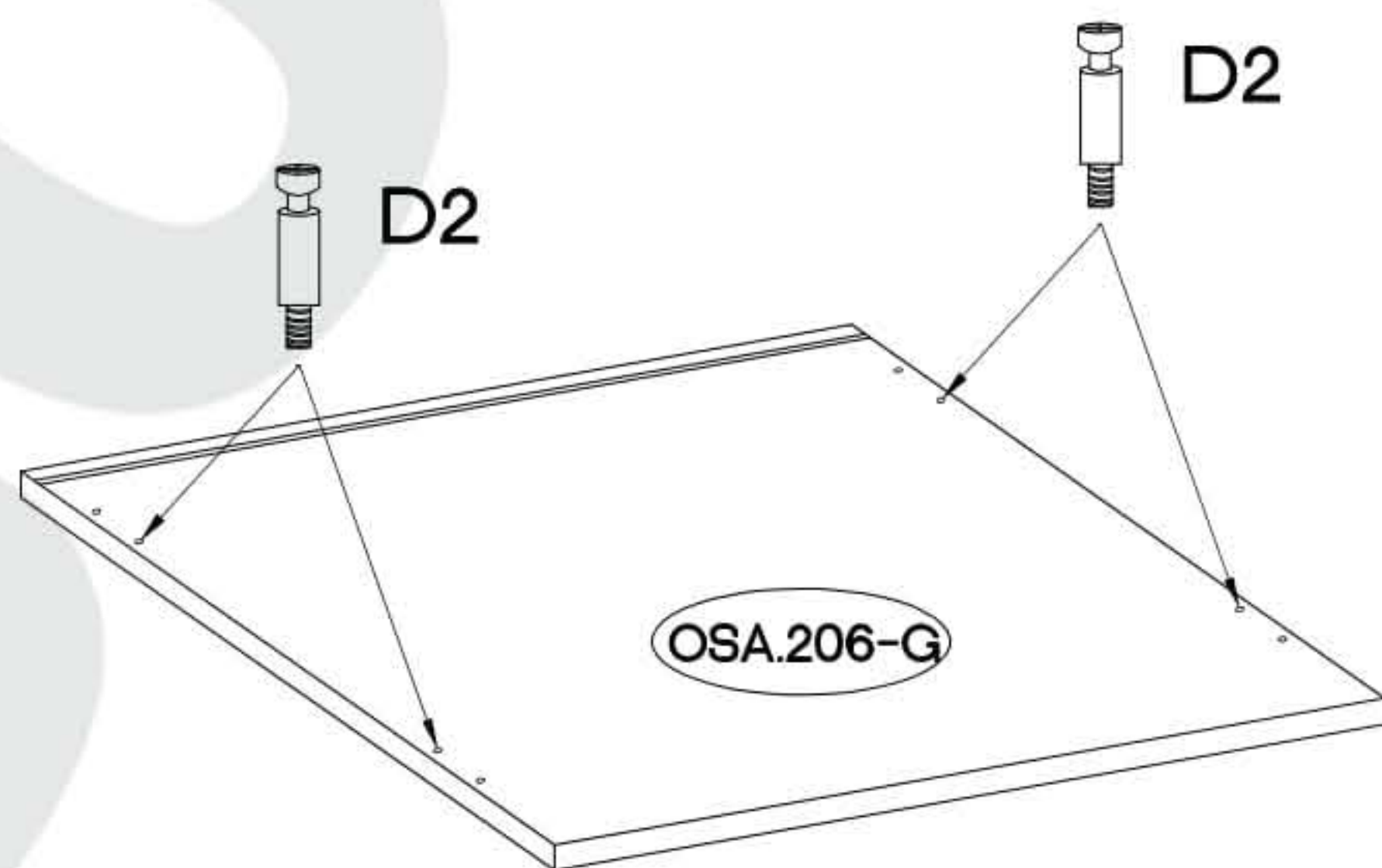
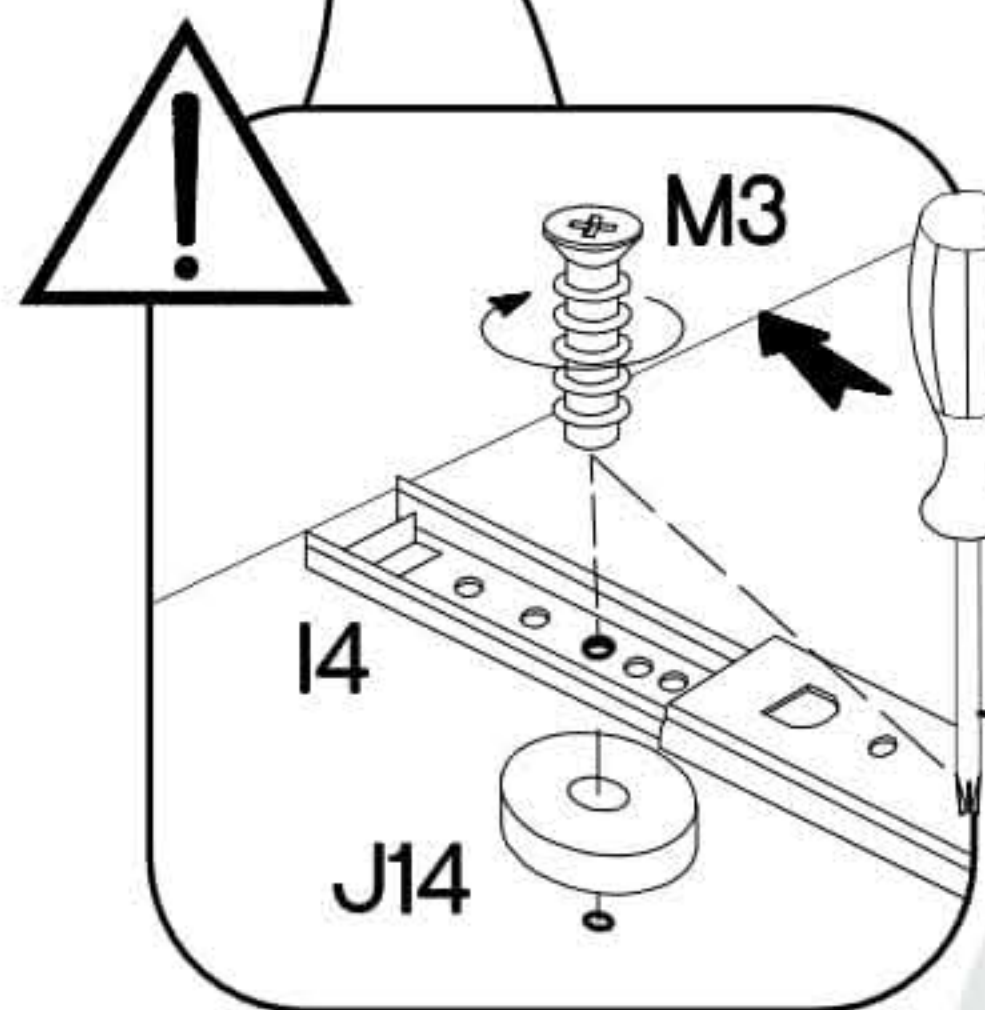
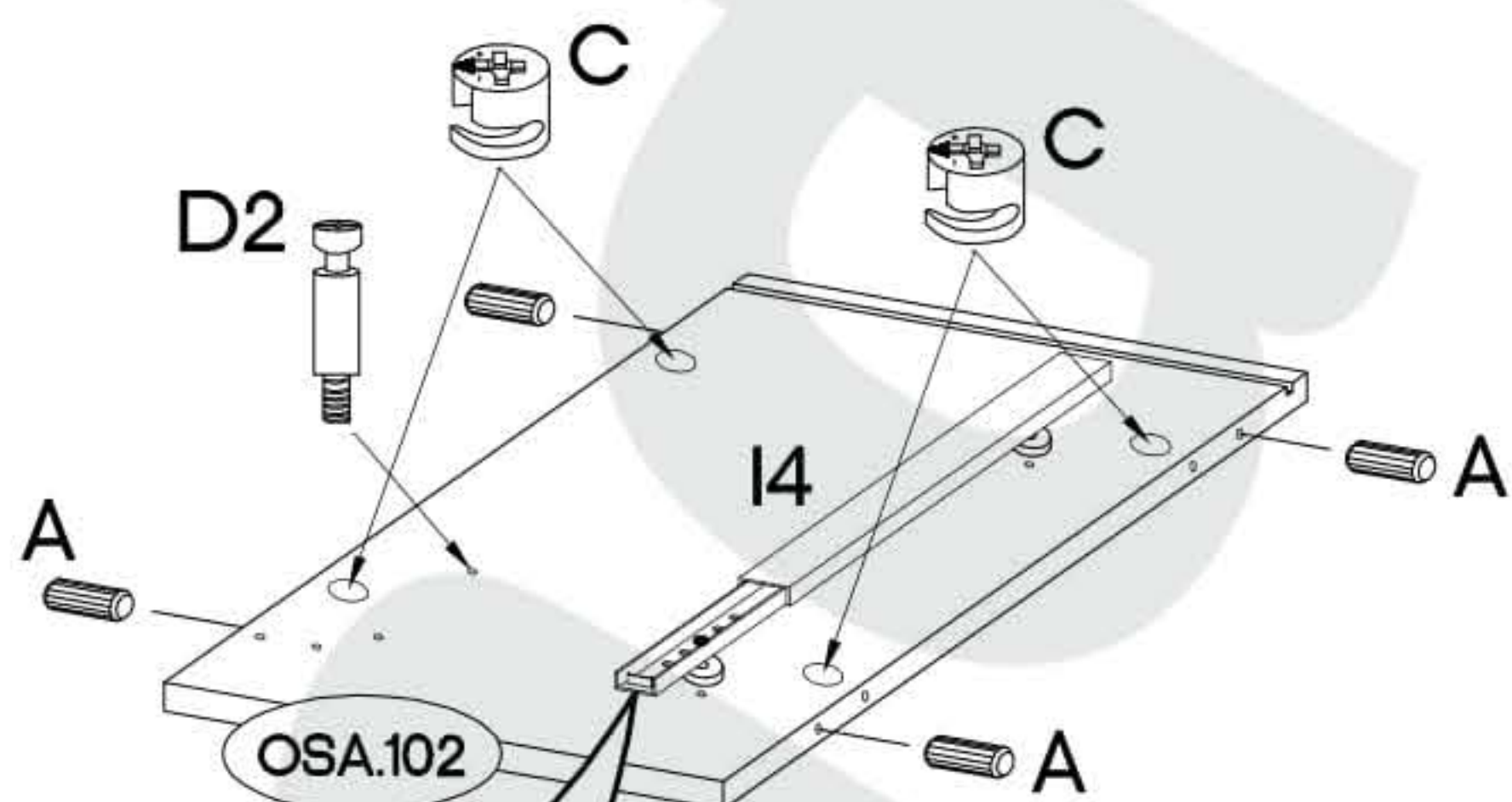
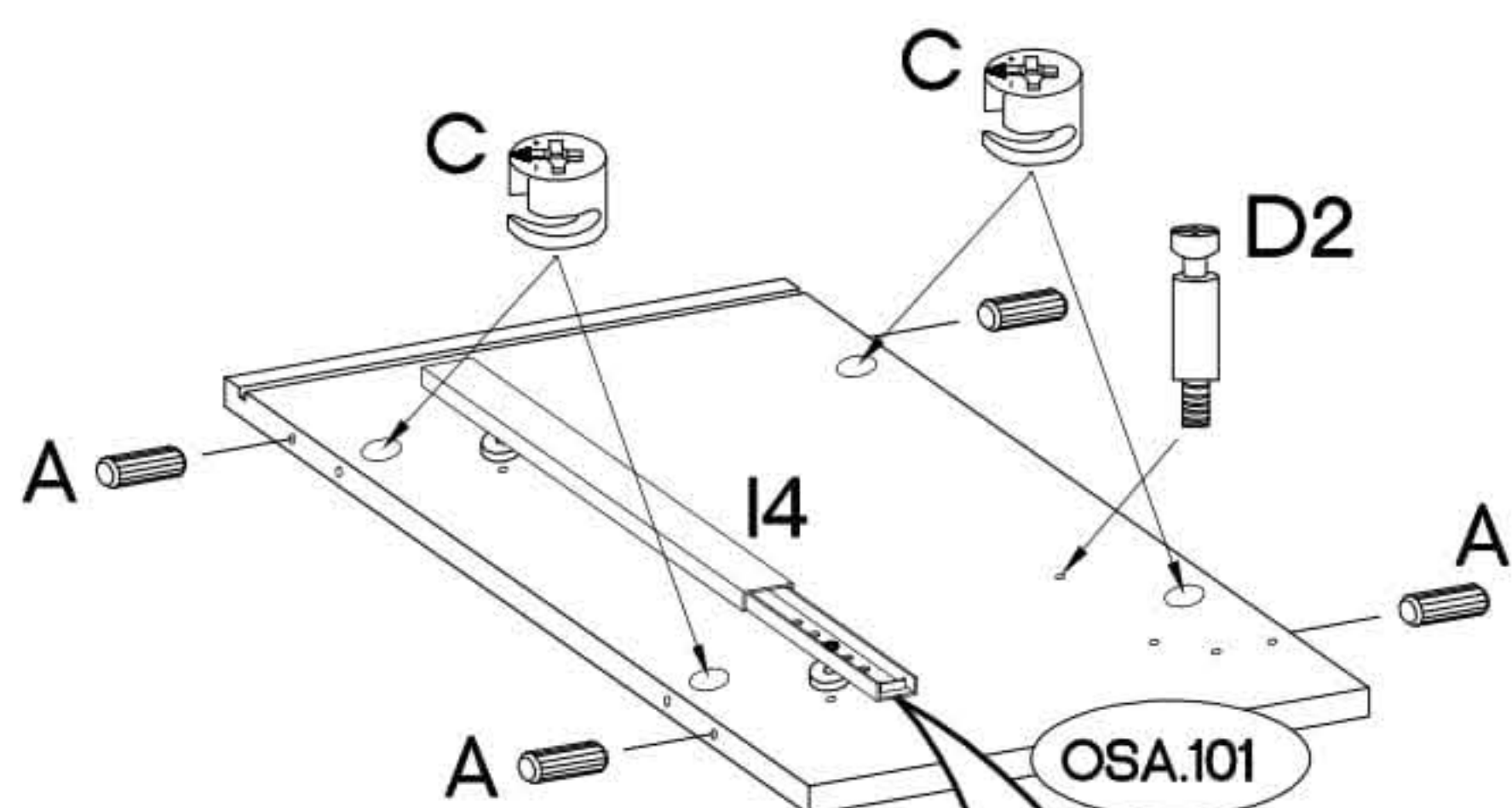
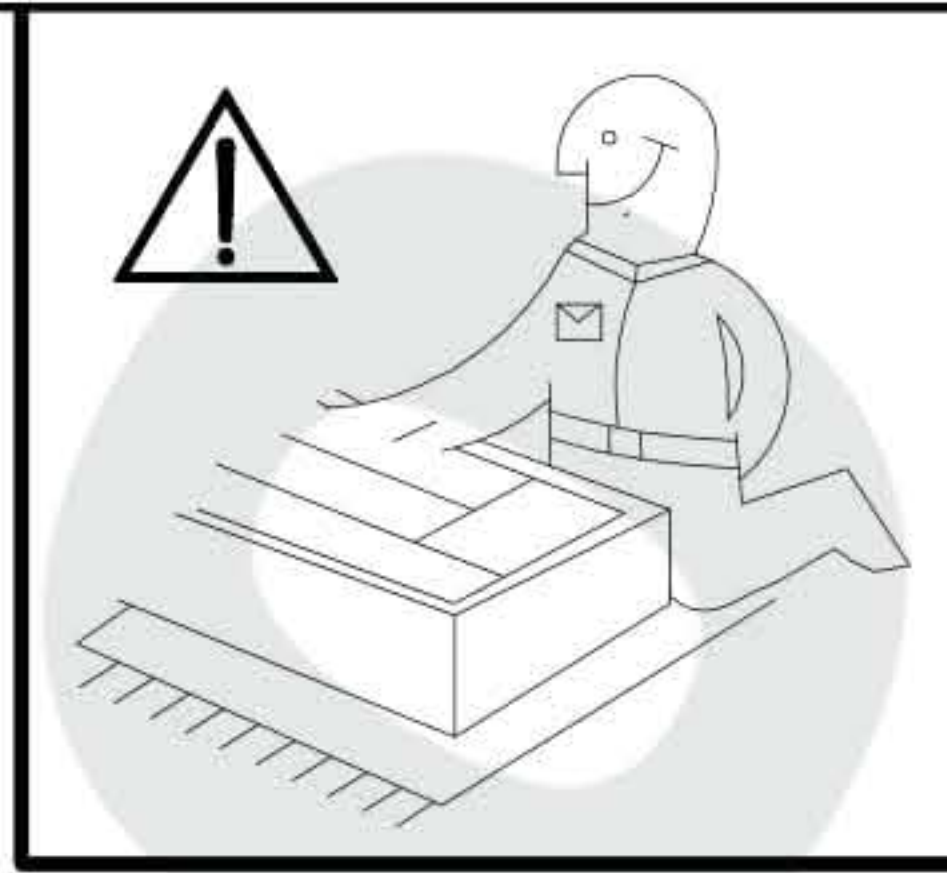
4



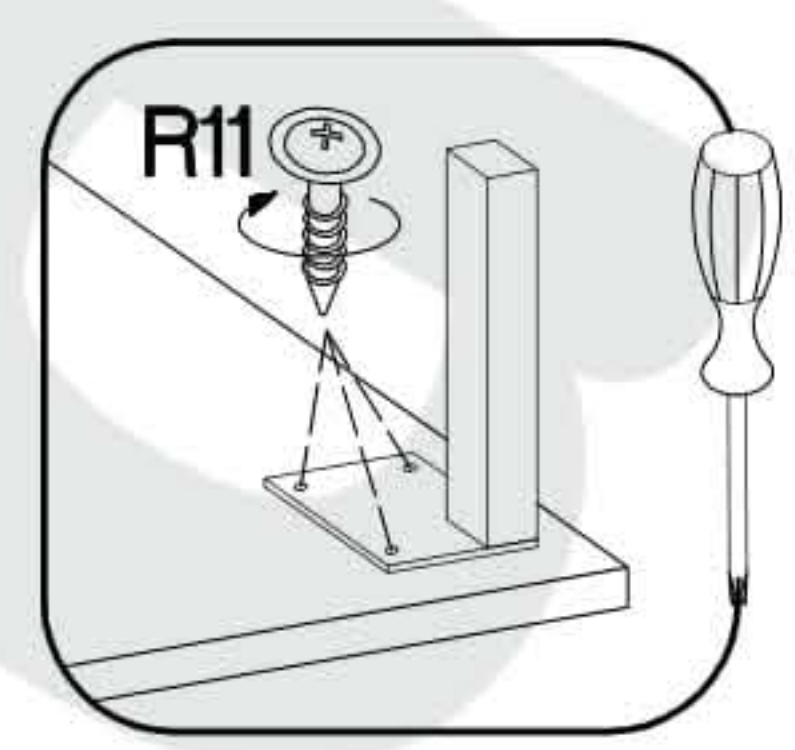
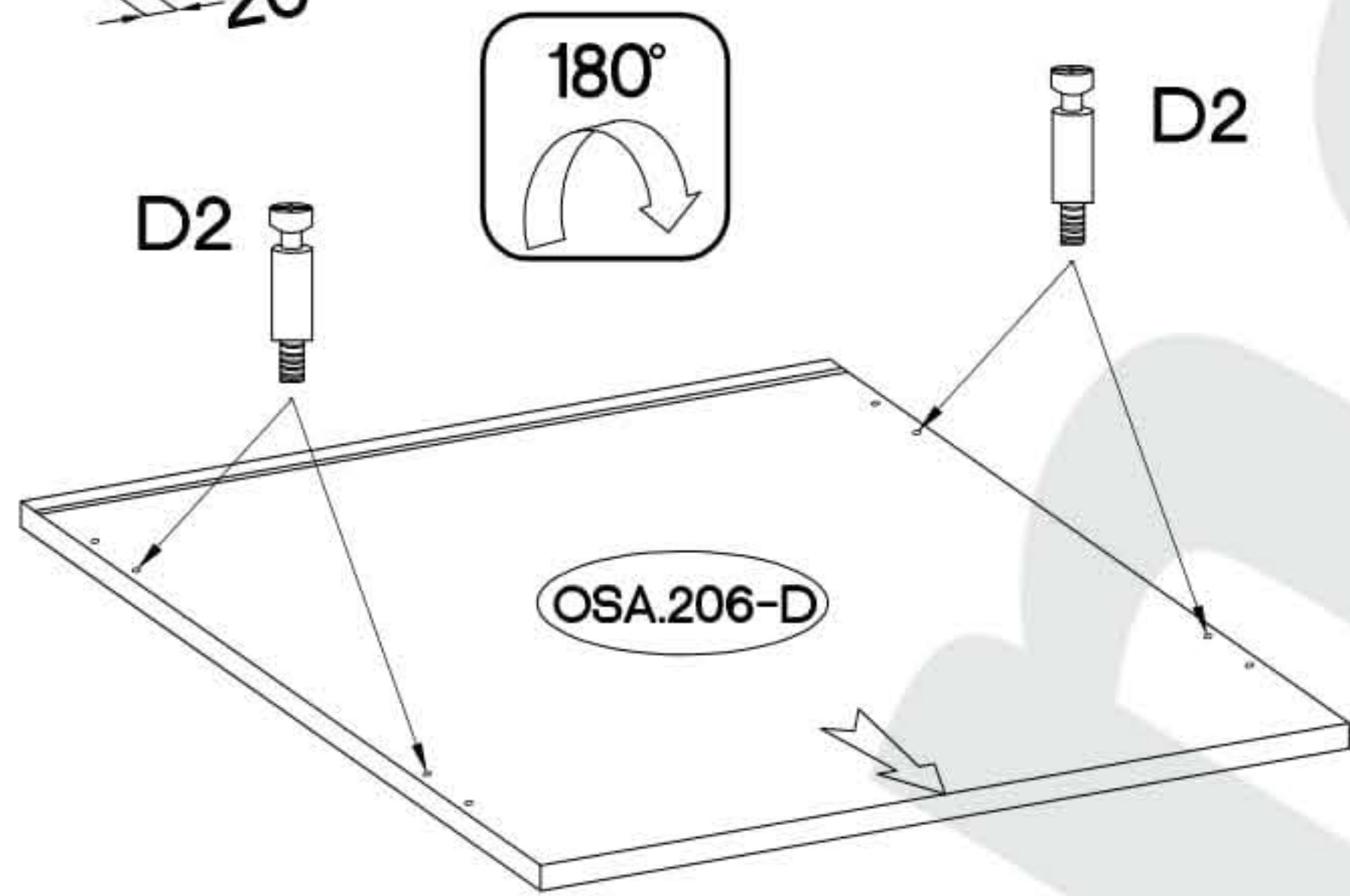
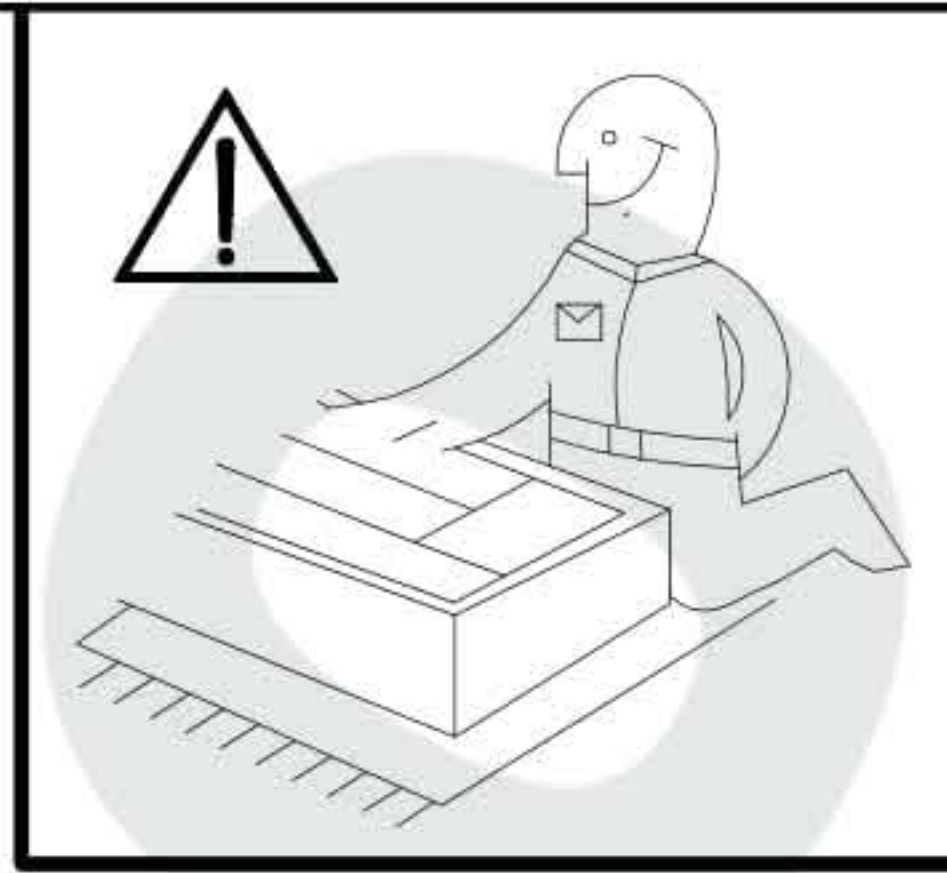
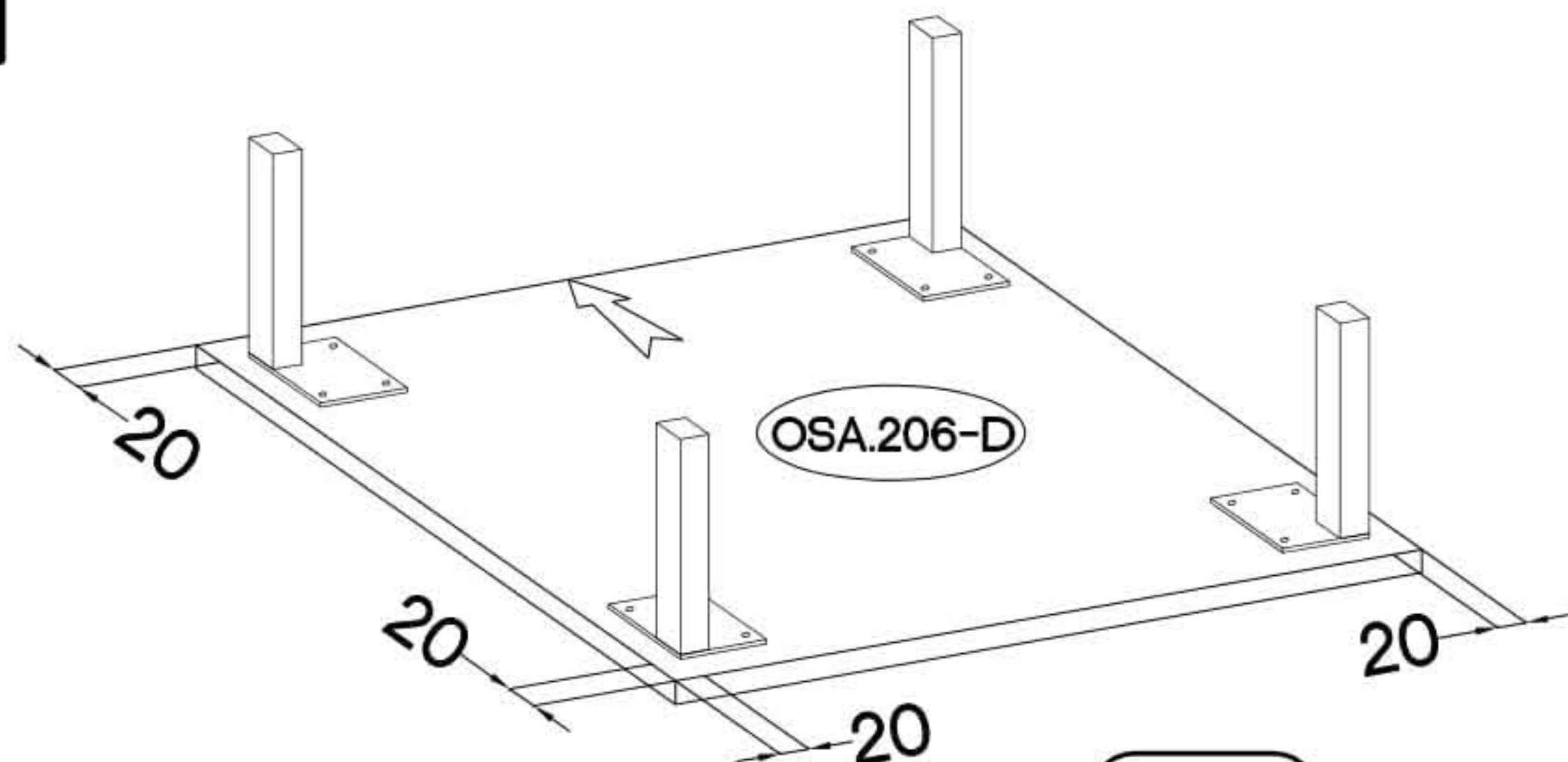
5



†8x30mm 	†15/12mm 	L=20mm 	27/310mm 	†6.3x20mm 	†20/8mm 
A	C	D2	I4	M3	J14
14	10	6	1	4	4



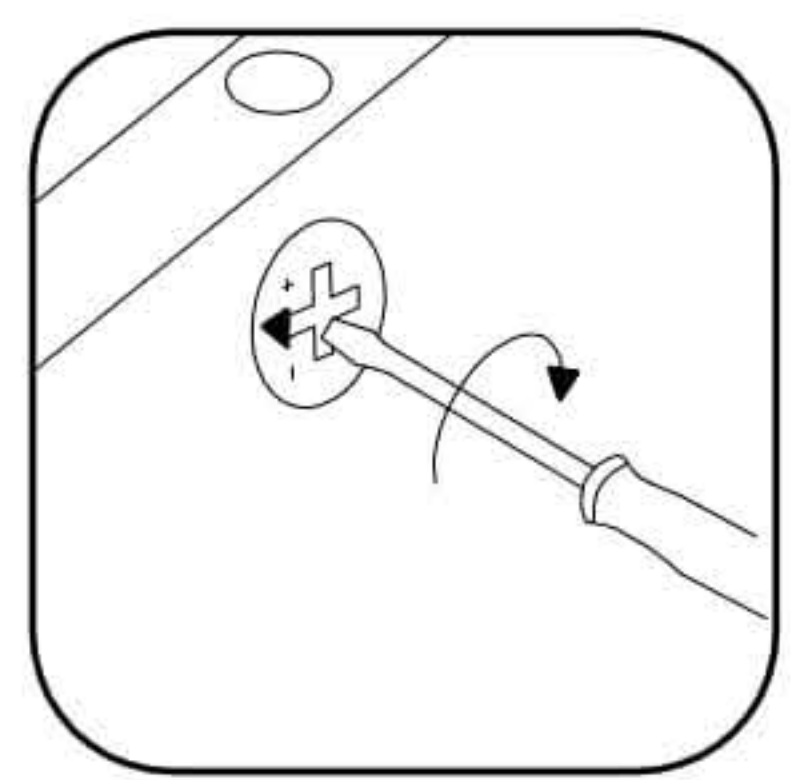
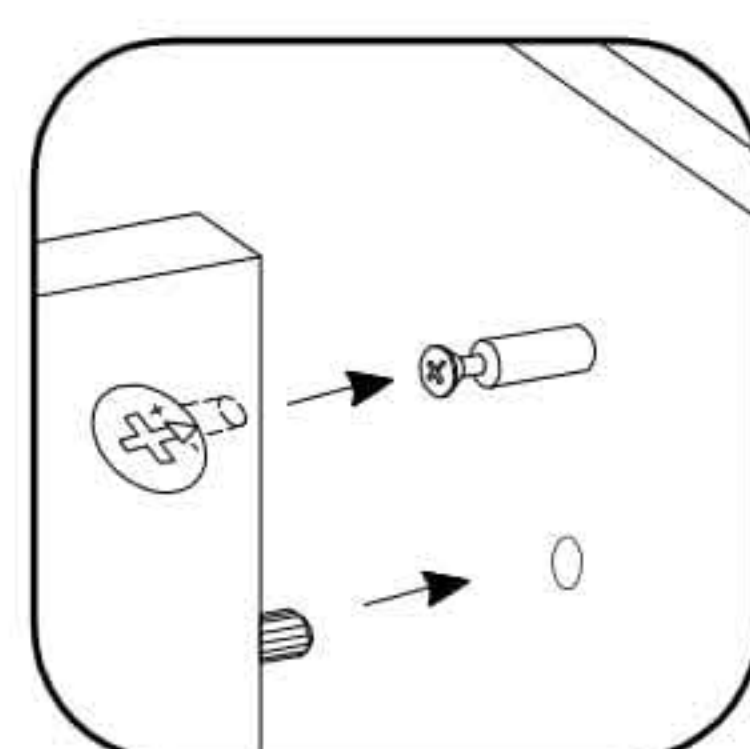
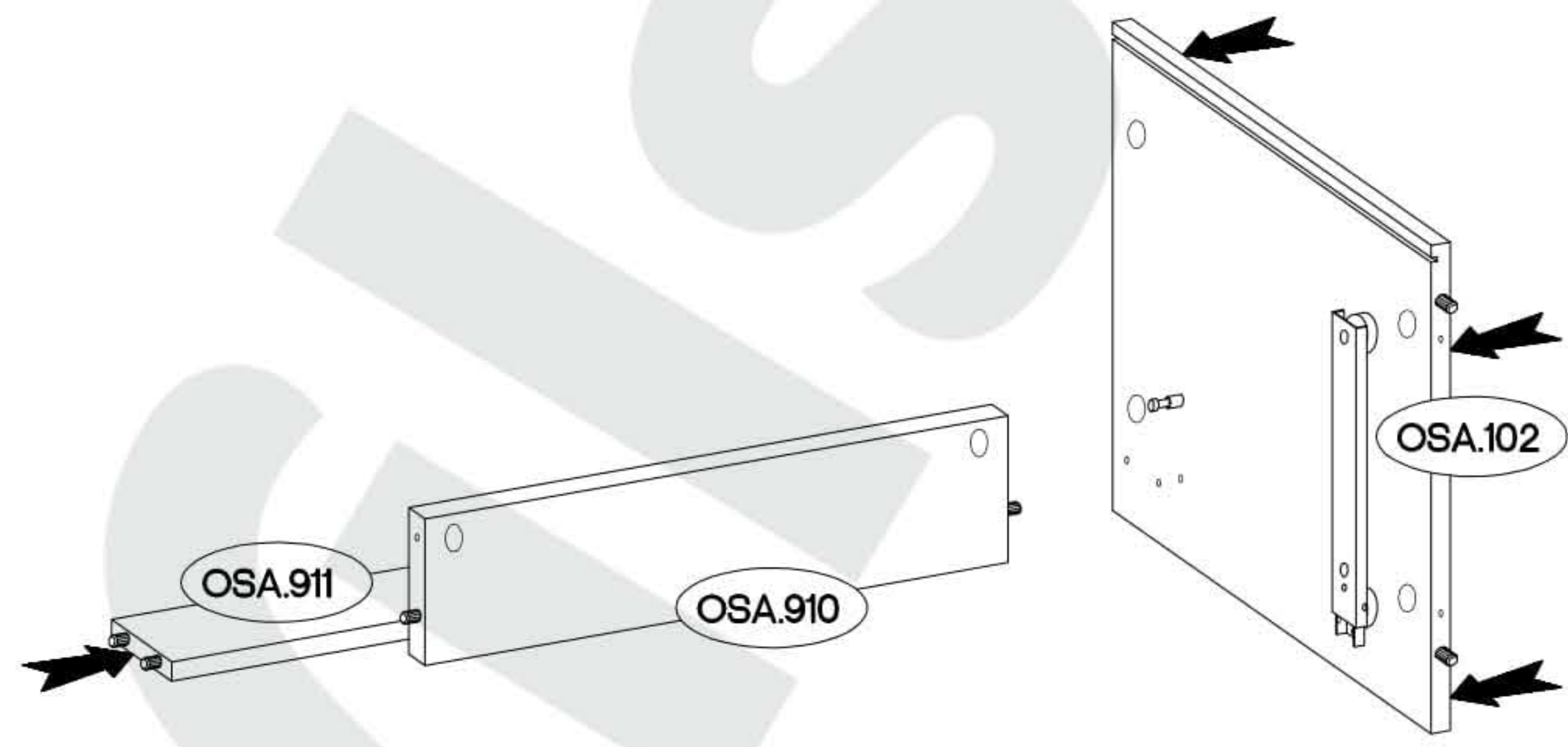
7



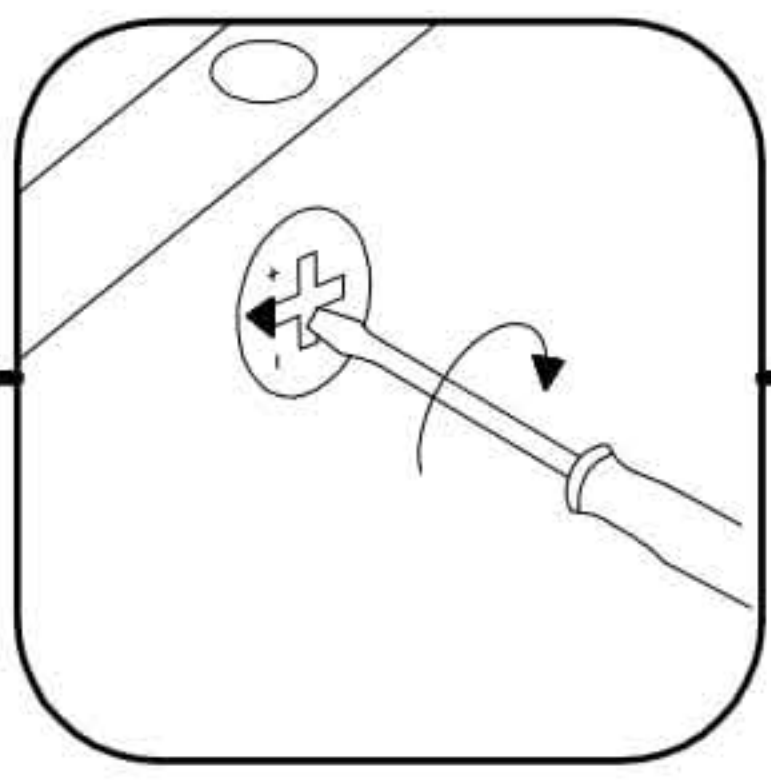
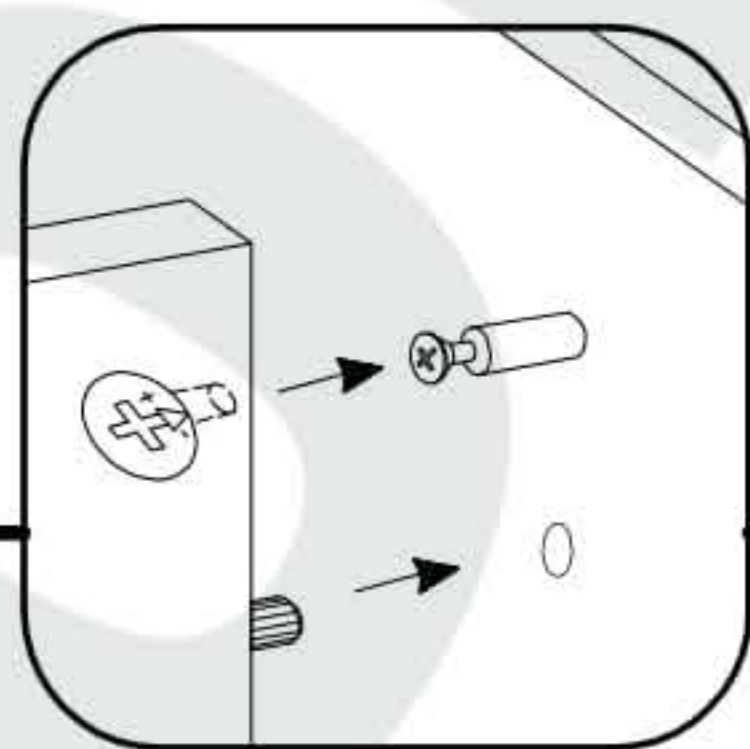
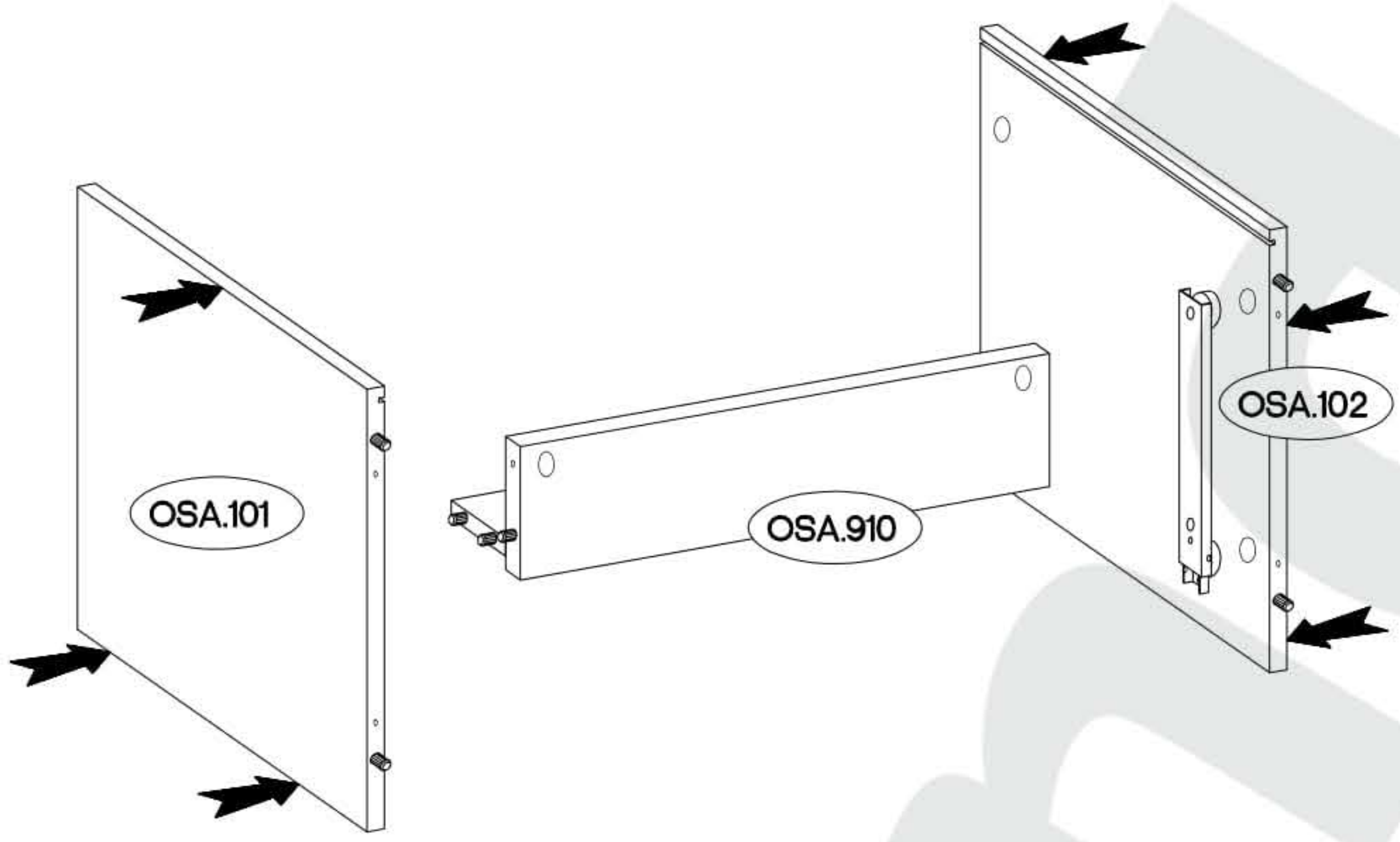
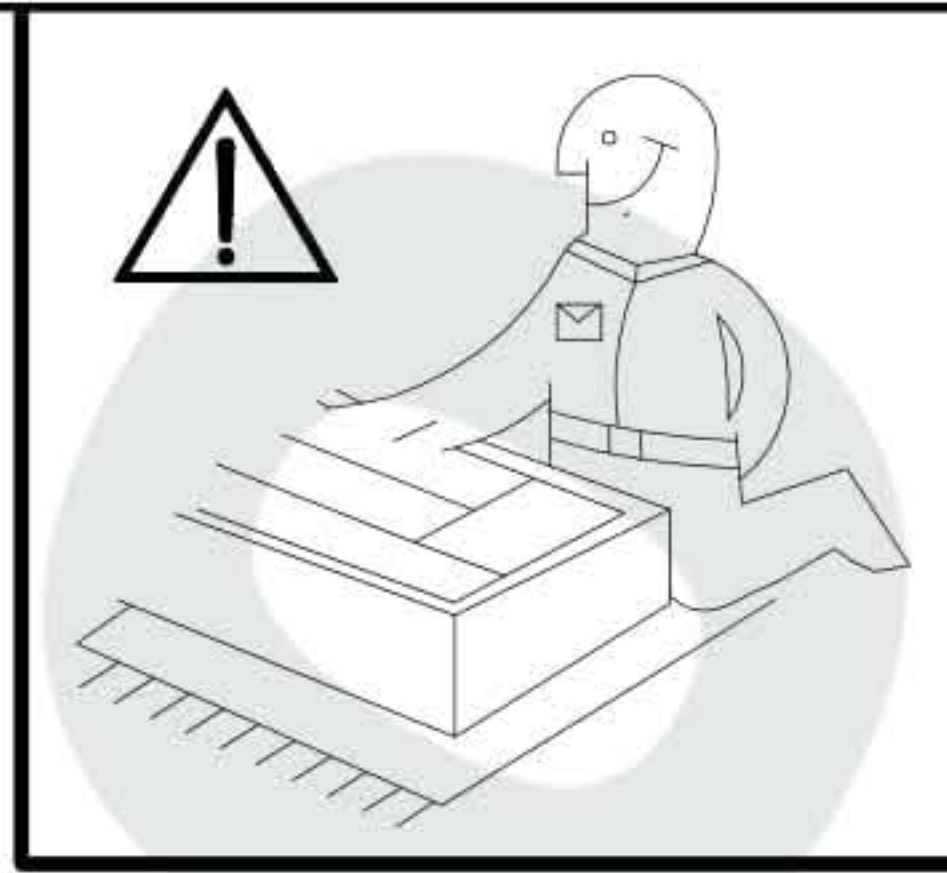
L=150mm F34 4	φ4.0x16mm R11 12	L=20mm D2 4
---------------------	------------------------	-------------------



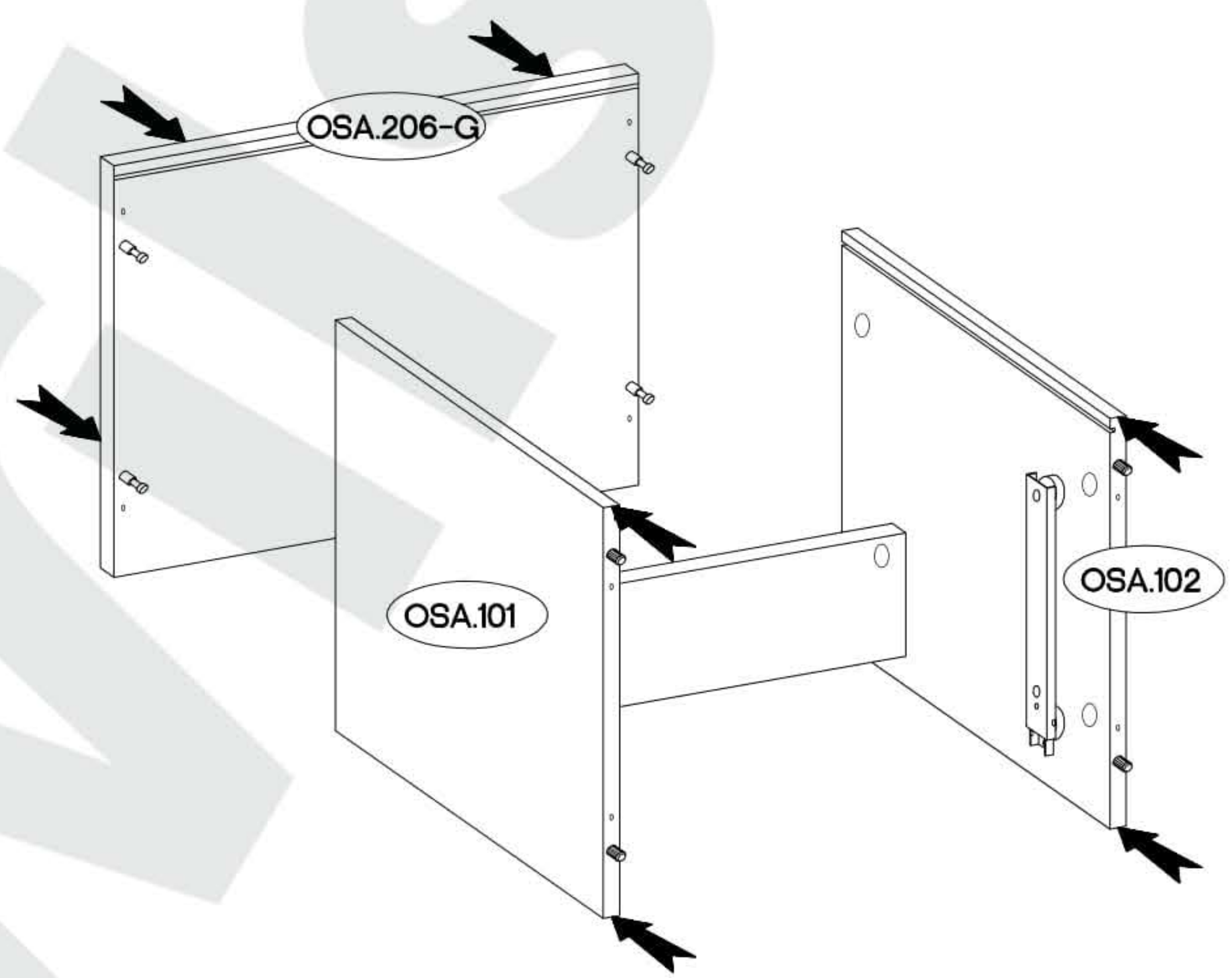
8

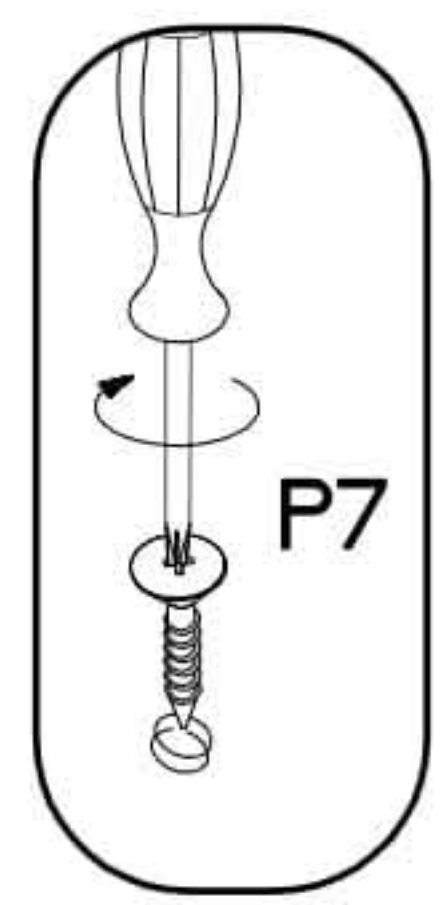
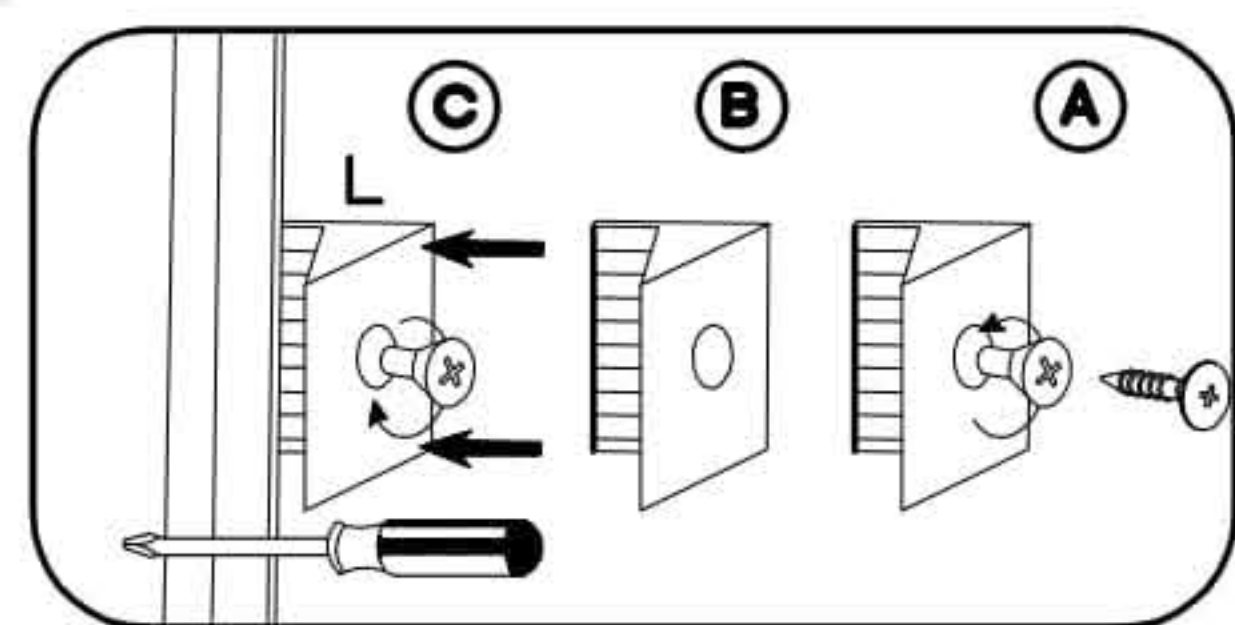
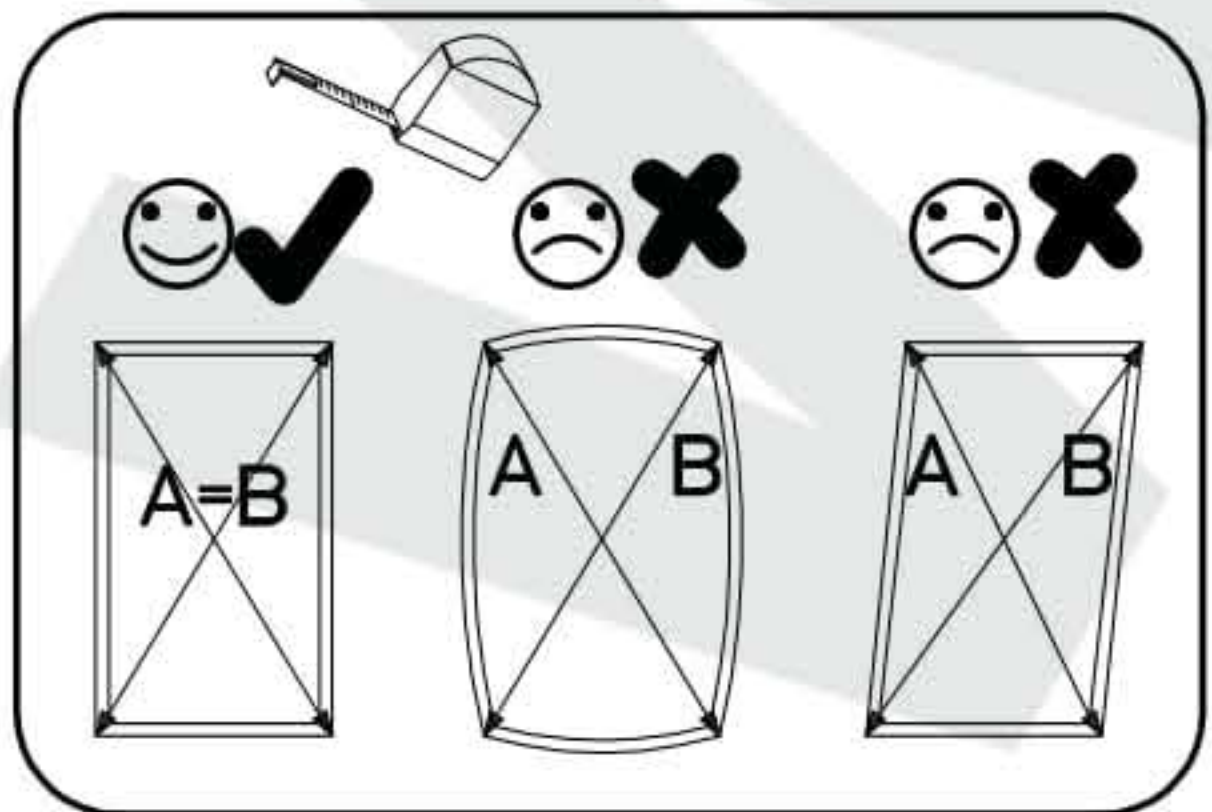
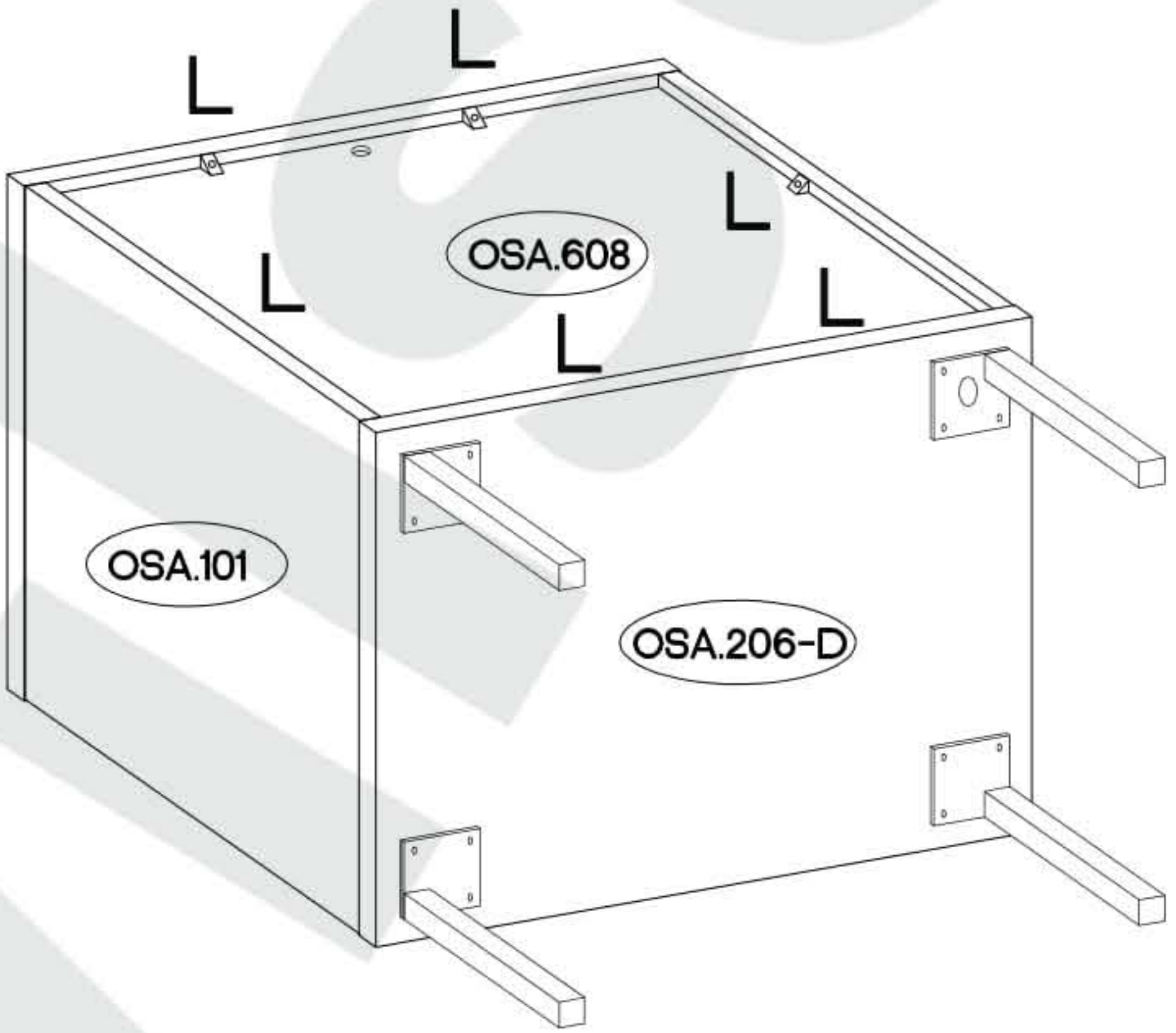
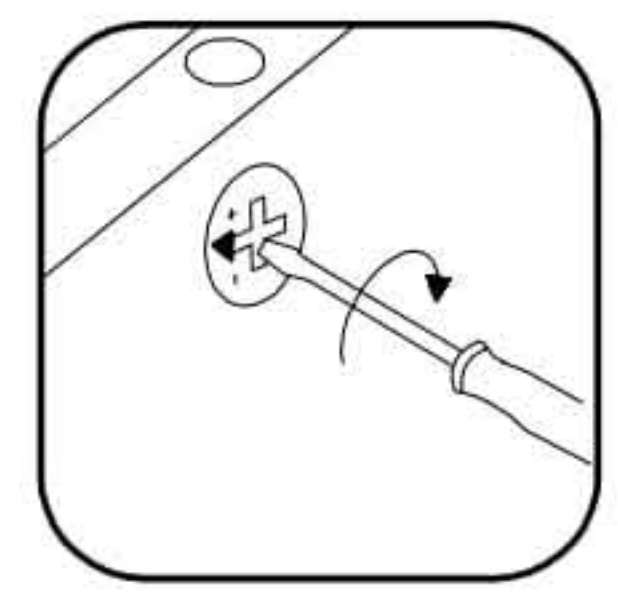
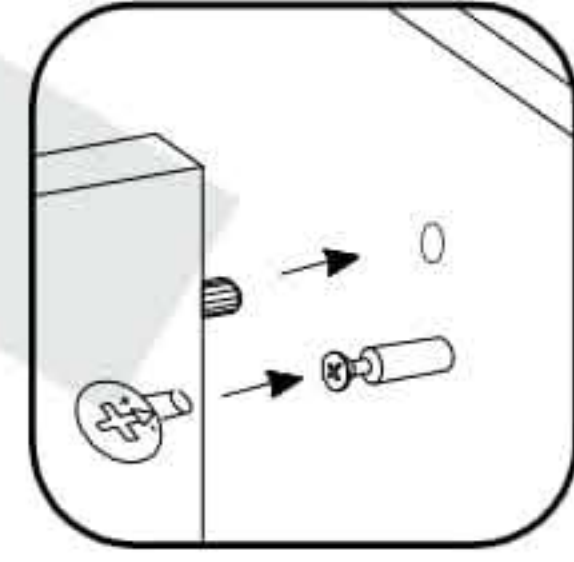
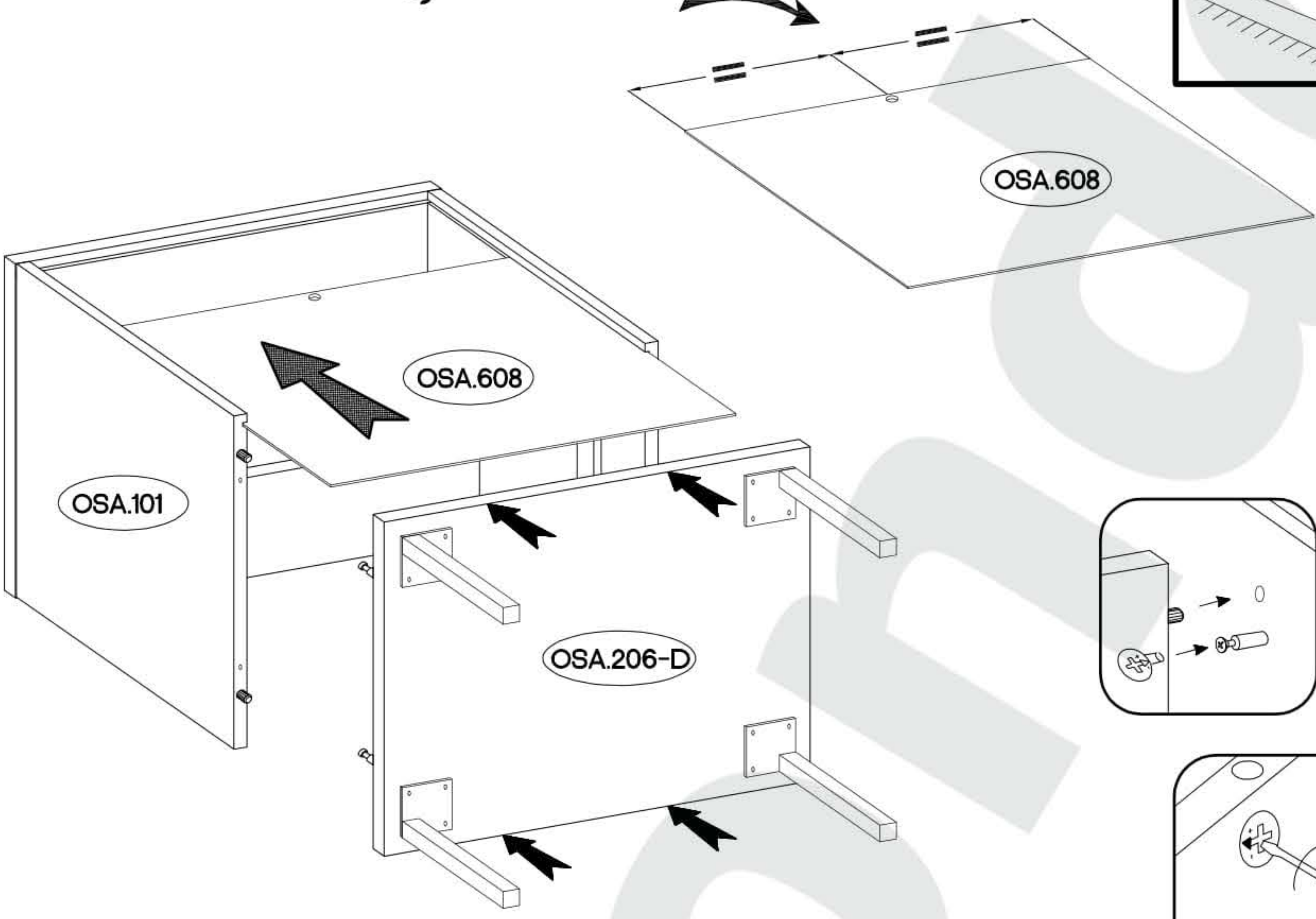
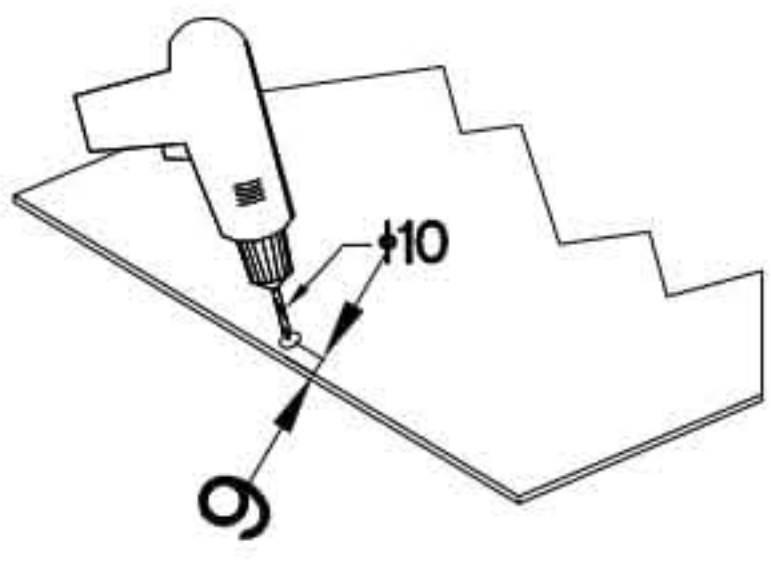
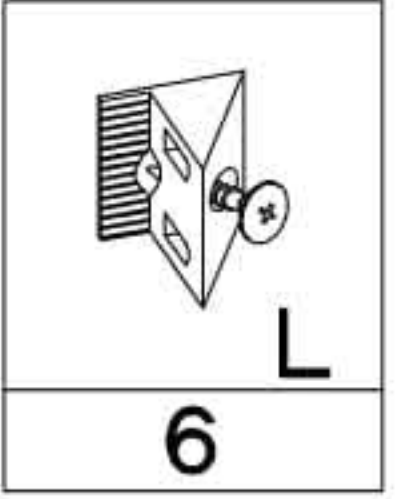


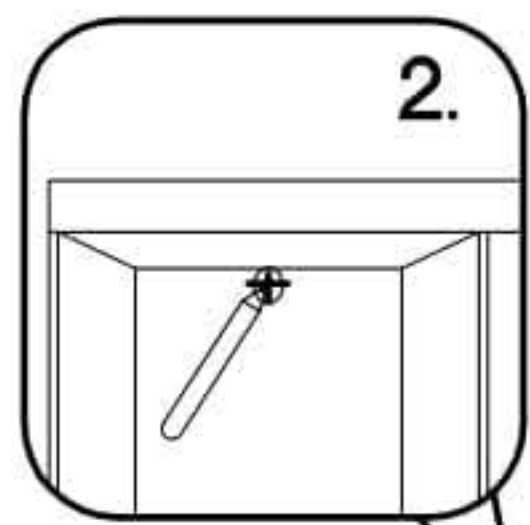
9



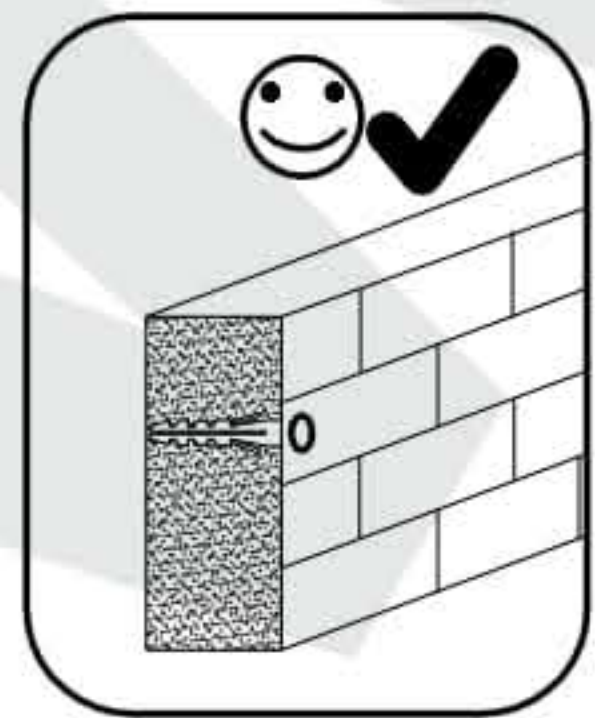
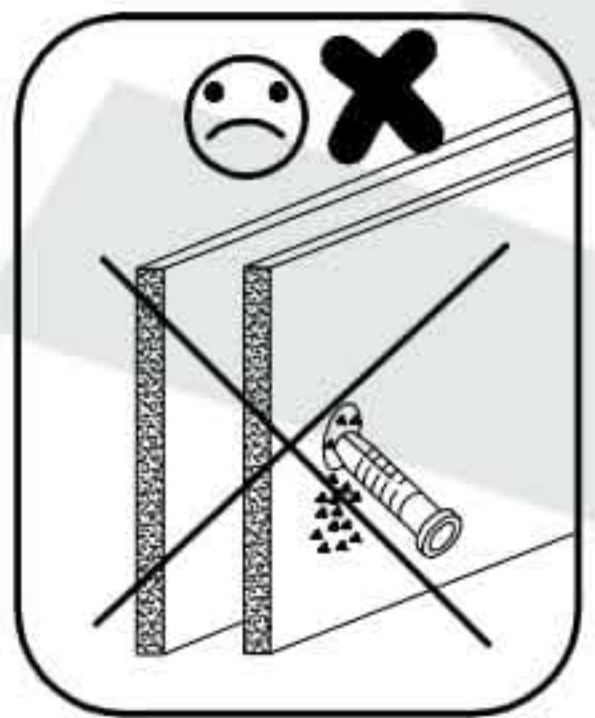
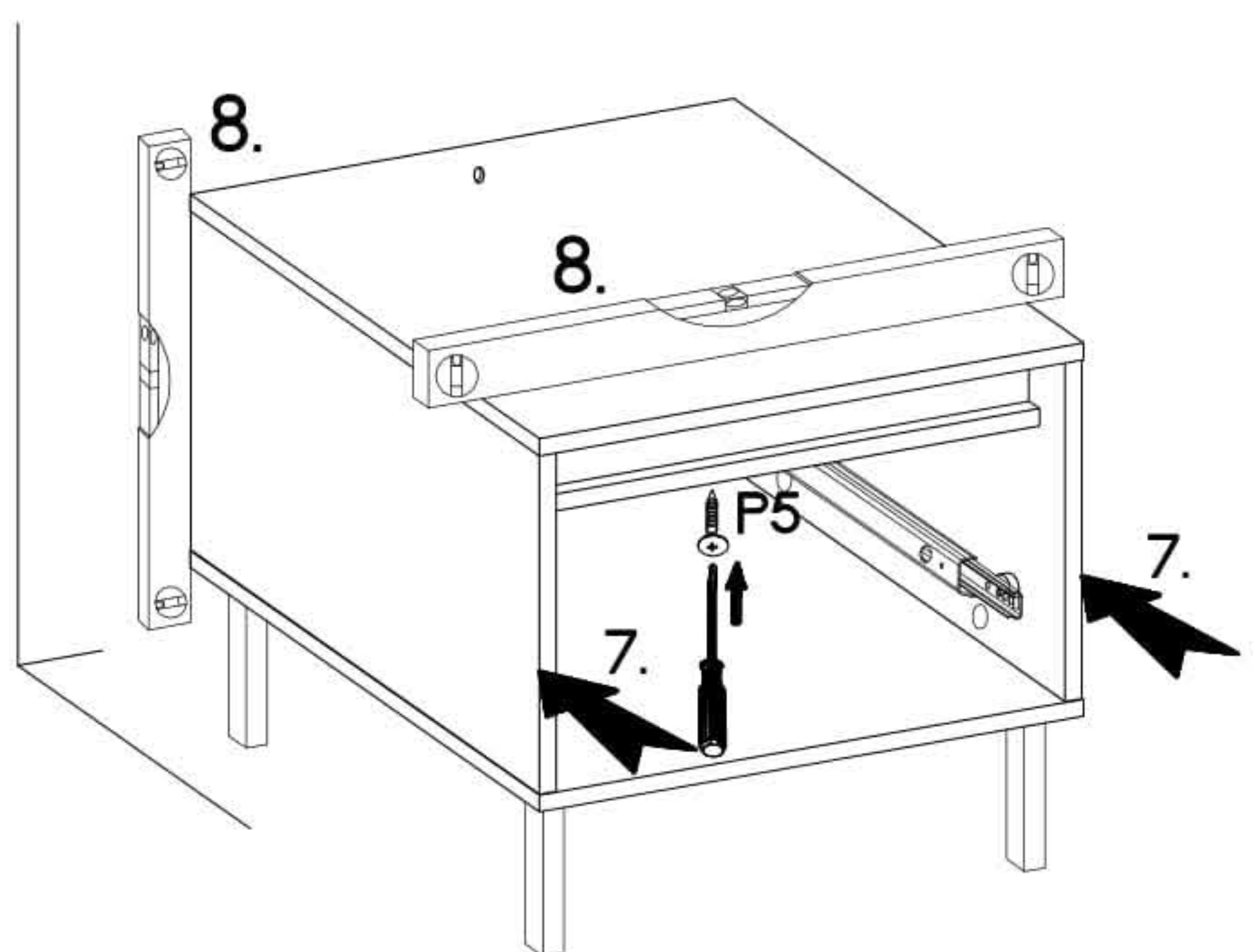
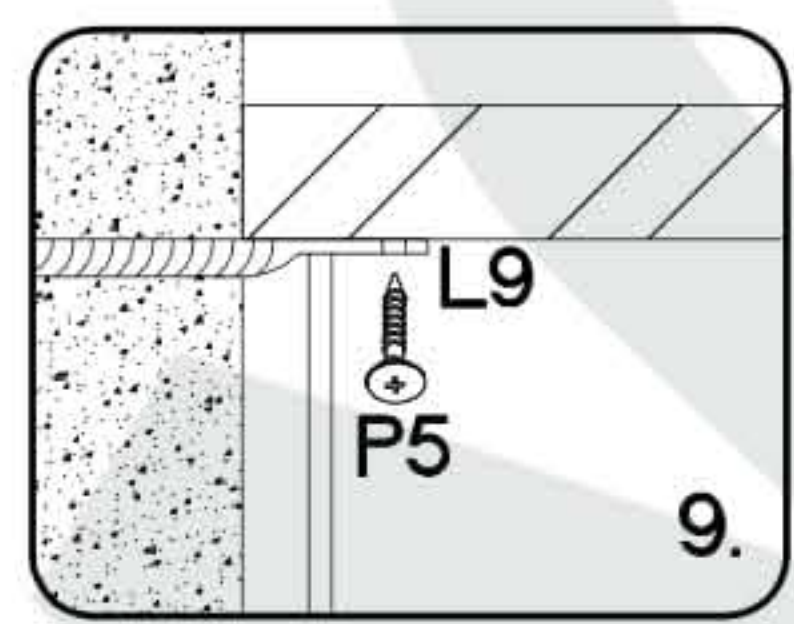
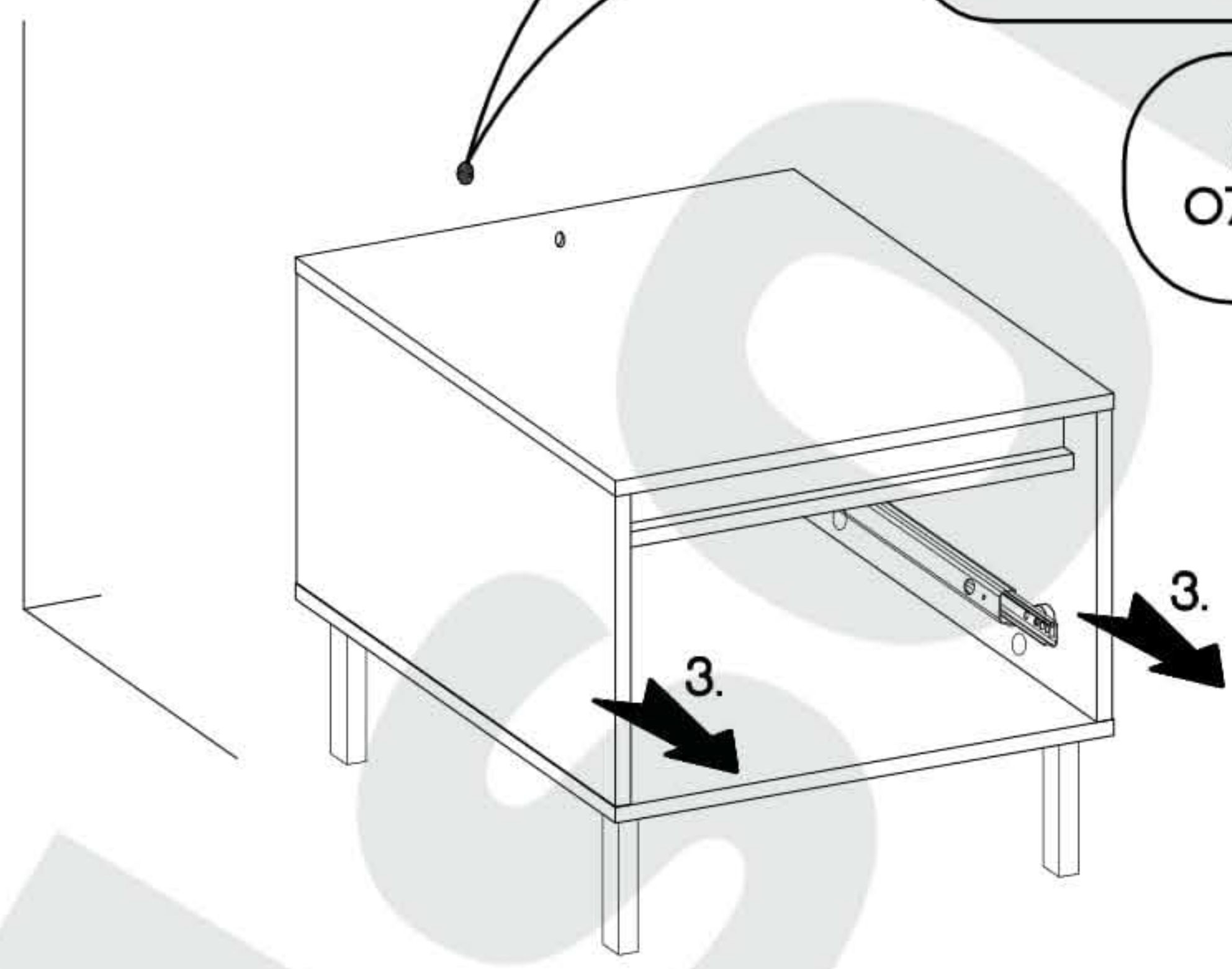
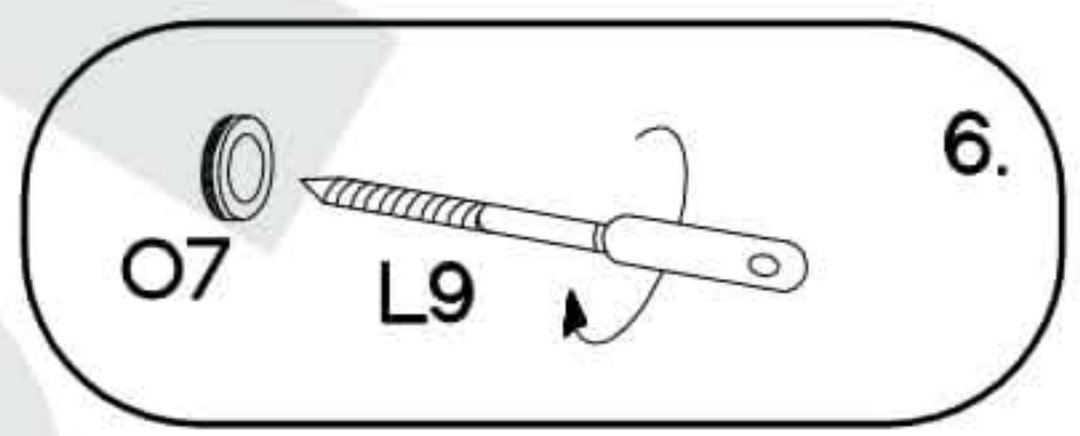
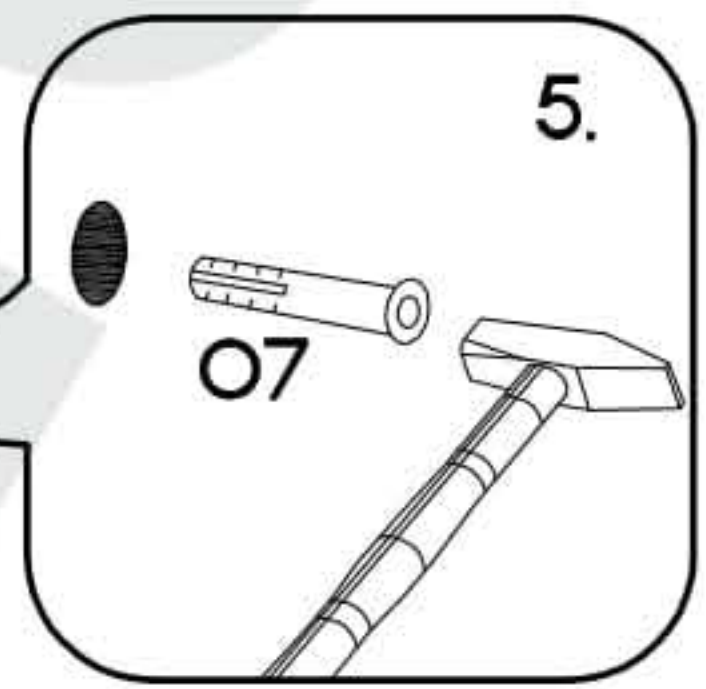
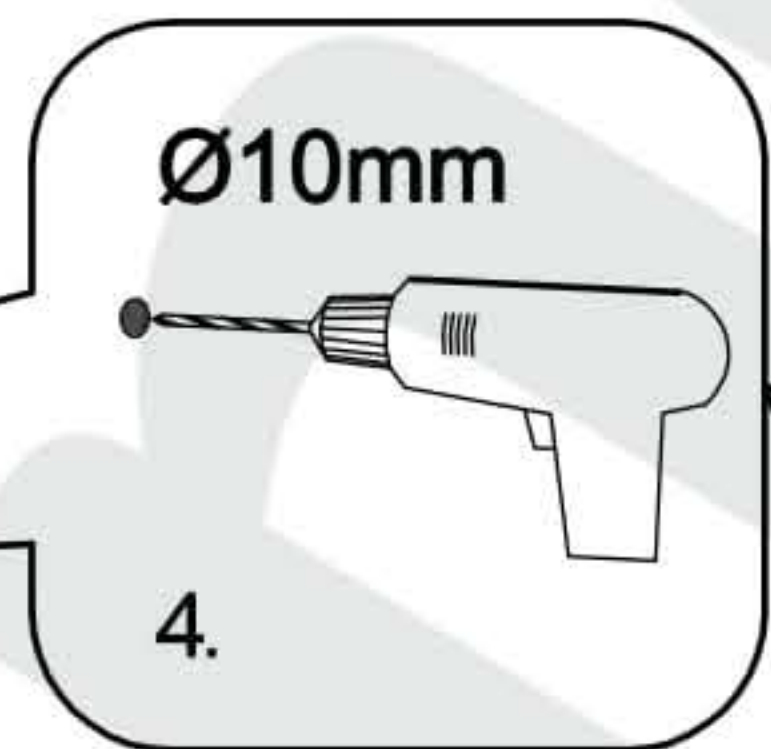
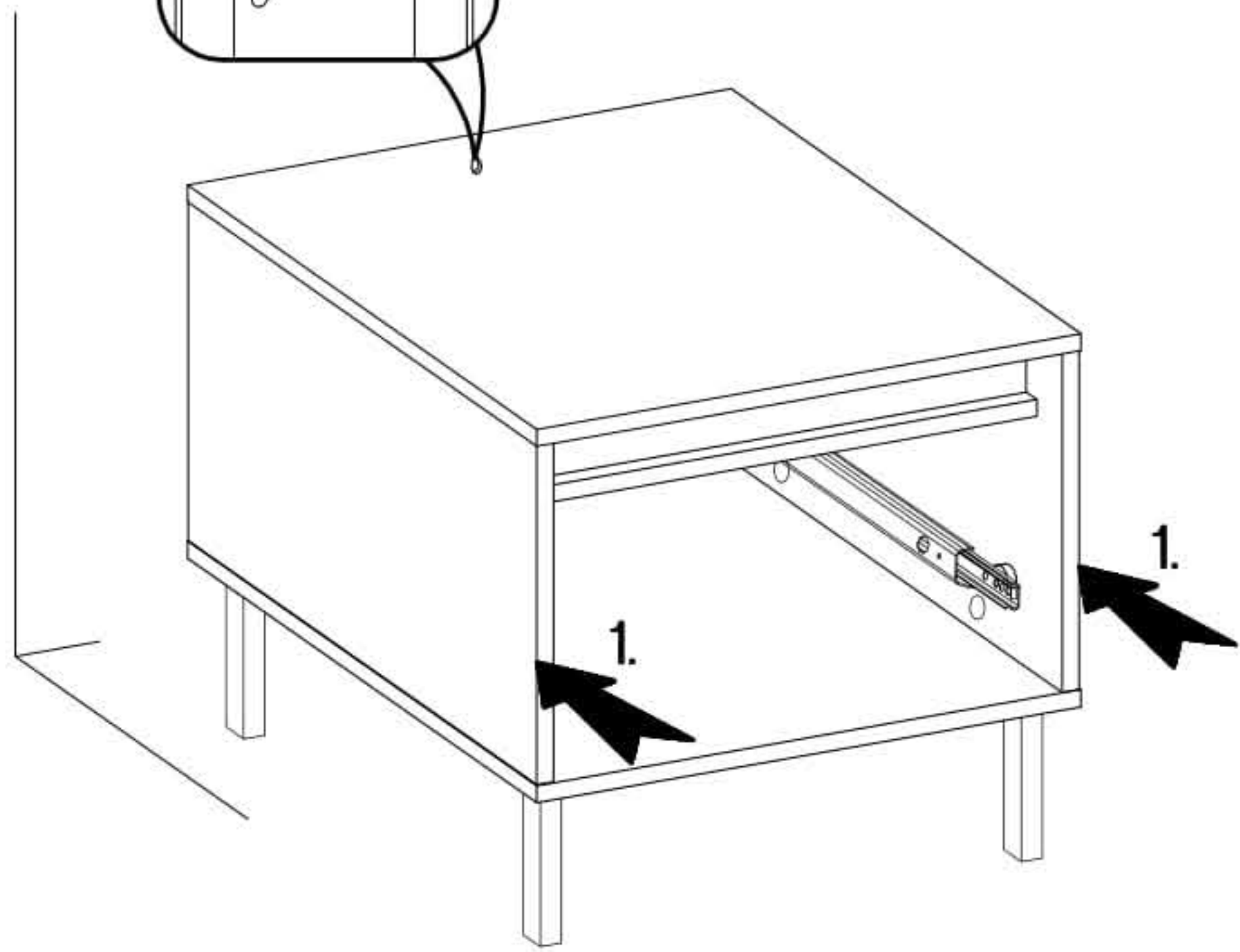
10









$\varnothing 10 \times 50 \text{mm}$ O7 1	 L9 1	$\varnothing 3.5 \times 13 \text{mm}$ P5 1
--	--------------------	---



M4x9mm	±7/2mm
	
U1	J5
2	2

