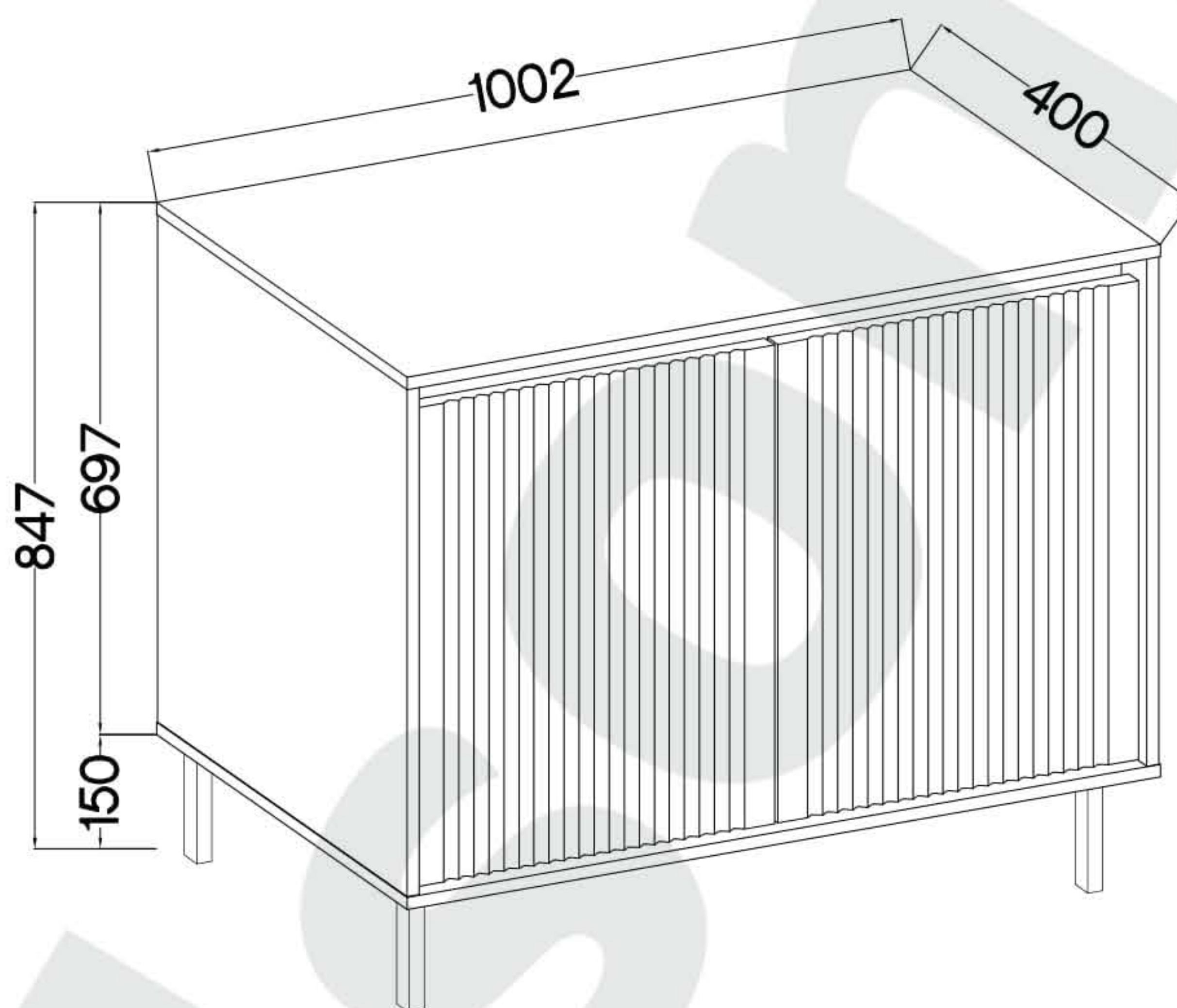
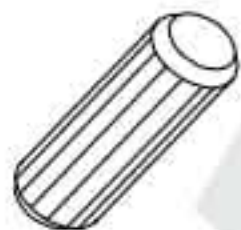


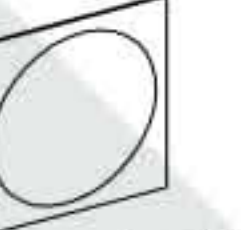


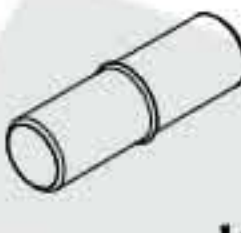

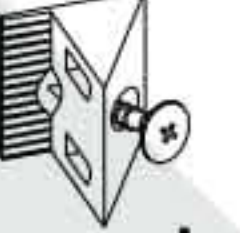
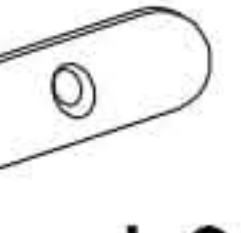

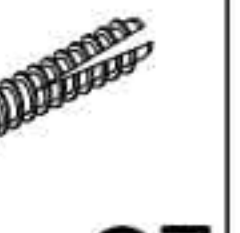





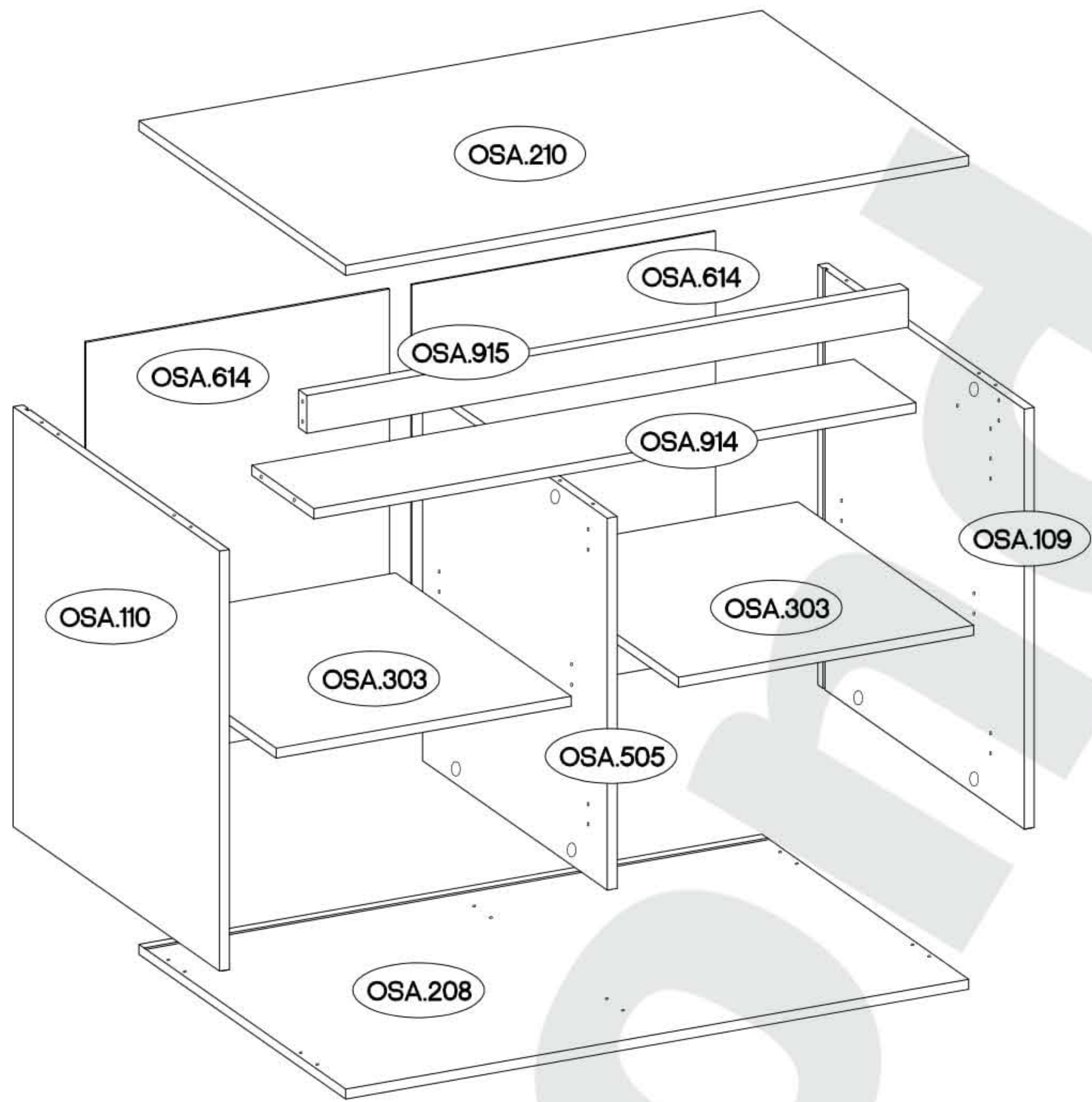
60 min

TYP 812

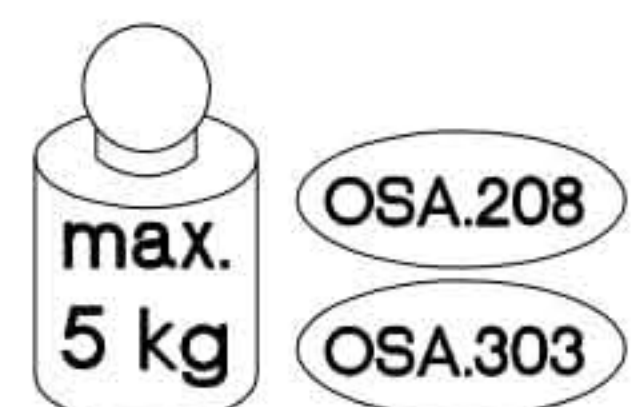


 †8x30mm A 17	 †15/12mm C 13	 L=20mm D2 13	 †20 E11 10	 L=150mm F34 4	 †35/16mm HG2 4					
 †5/16mm J3 8	 †7/2mm J5 2	 L 14	 L2 5	 L9 1	 †10x50mm O7 1	 †4.0x16mm P1 6	 †3.5x13mm P5 9	 †3.0x20mm P7 5	 †4.0x16mm R11 12	 T3 3

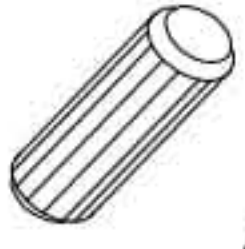


ISM-OSA-009

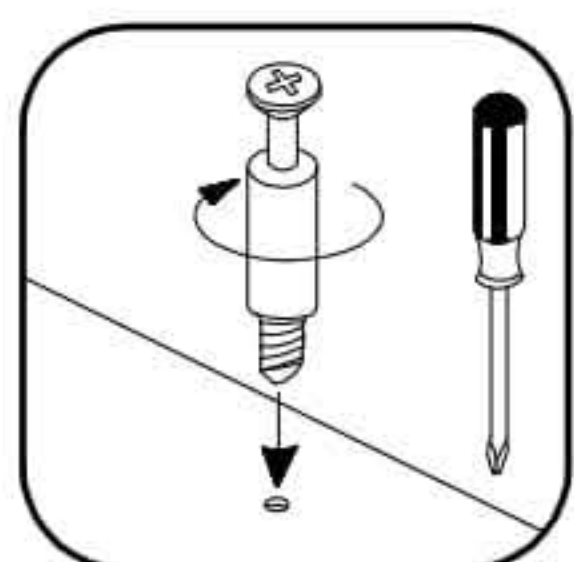
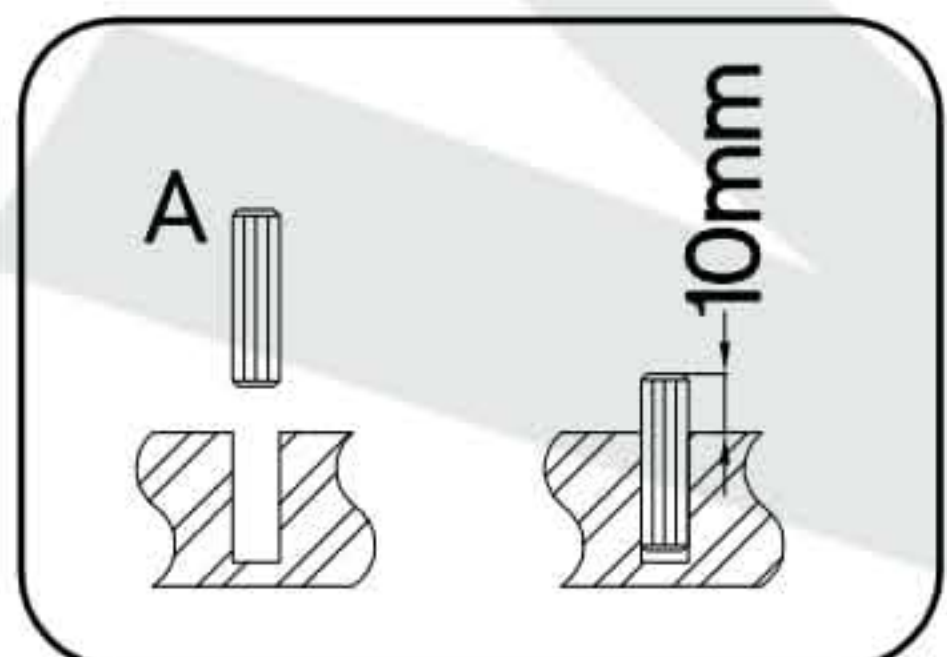
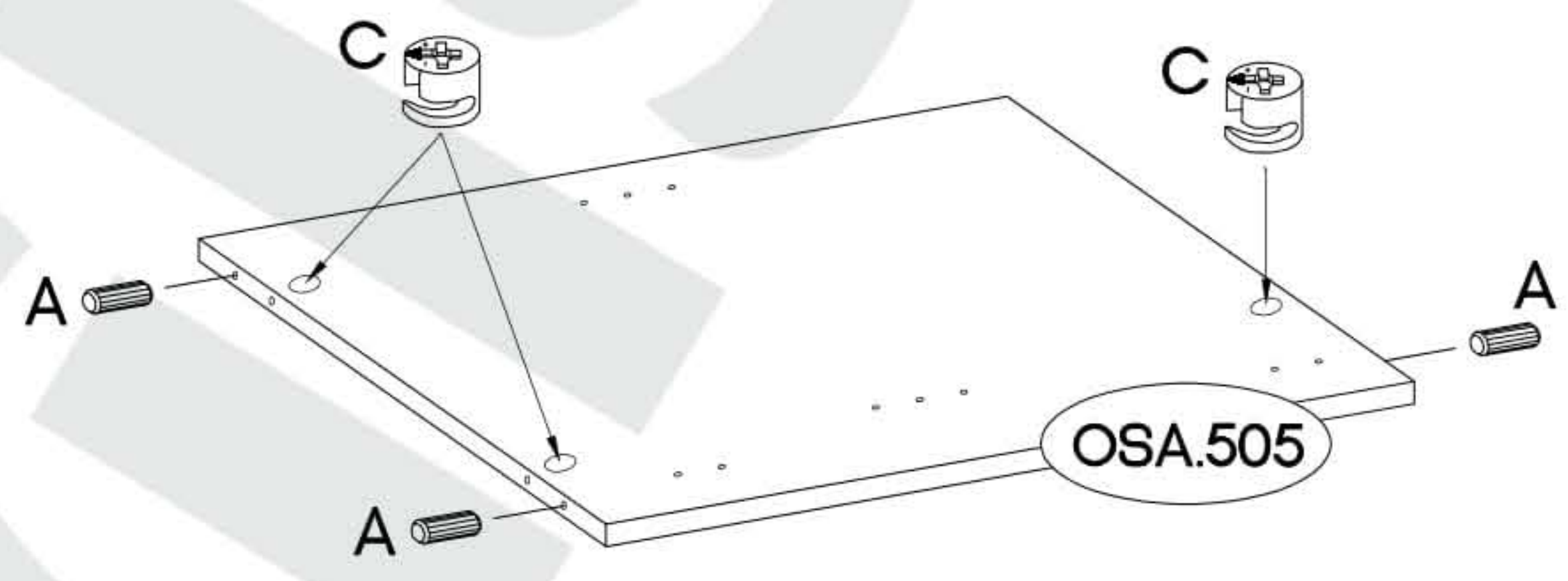
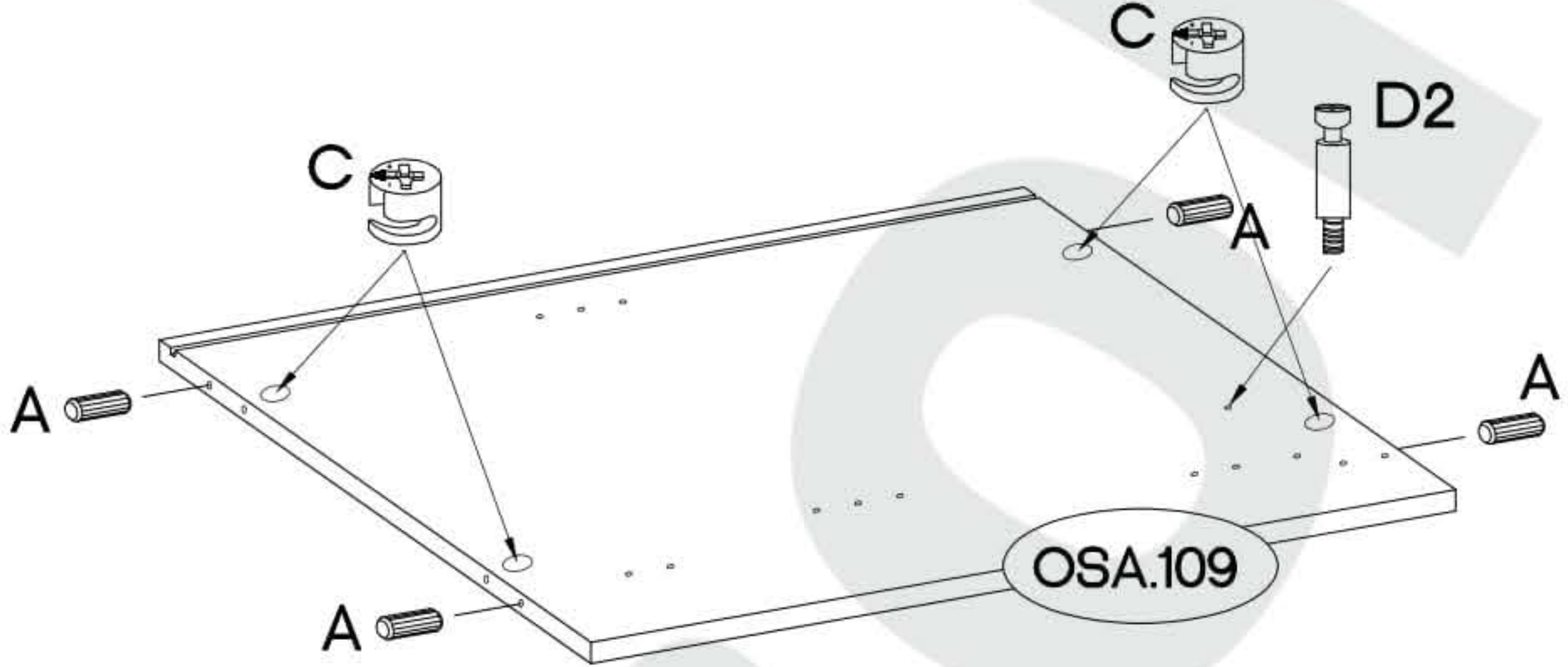
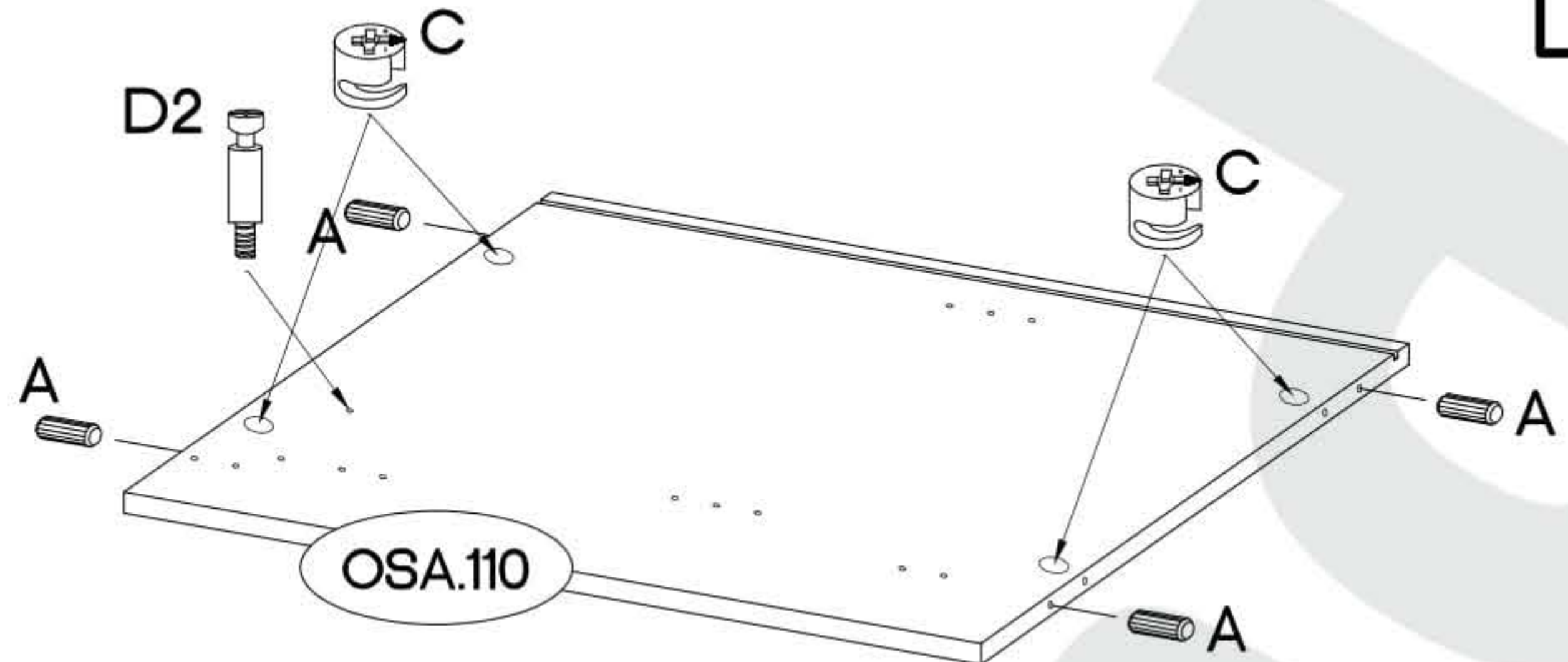
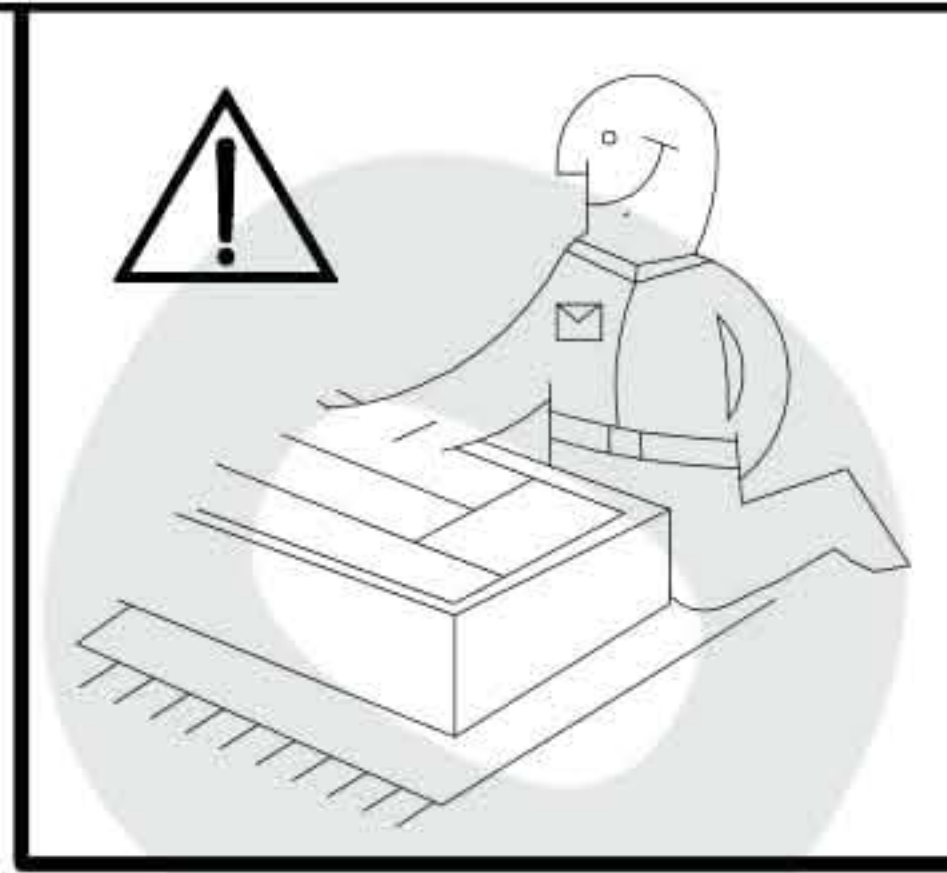


	Ersatzteil Nummer	Dimension
	OSA.109	665x399x16
	OSA.110	665x399x16
	OSA.505	589x357x16
	OSA.208	1002x400x16
	OSA.210	1002x400x16
	OSA.914	968x120x16
	OSA.915	968x60x16
	OSA.303 x2	475x340x16
	OSA.614 x2	674x488x2,5
	OSA.707 x2	627x480x16






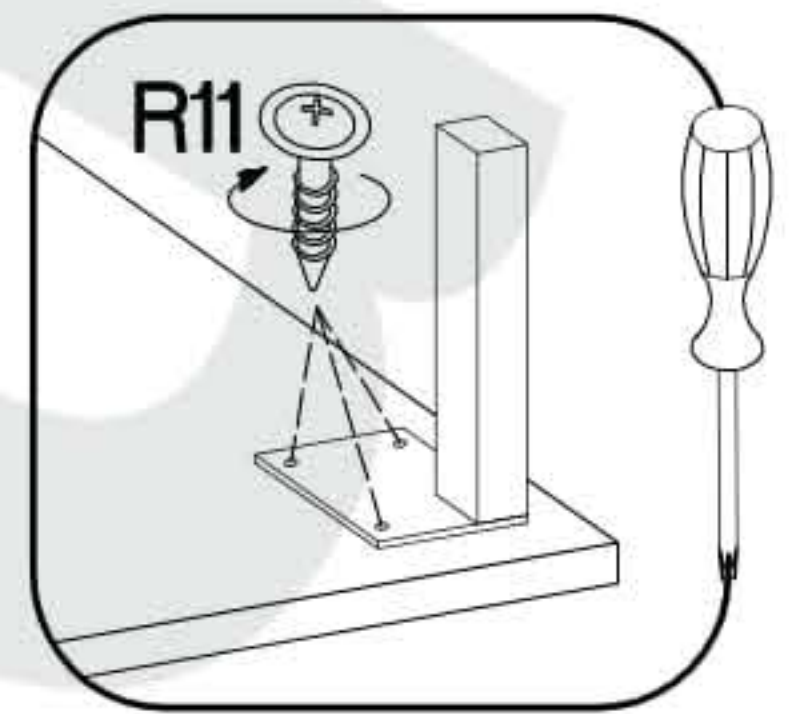
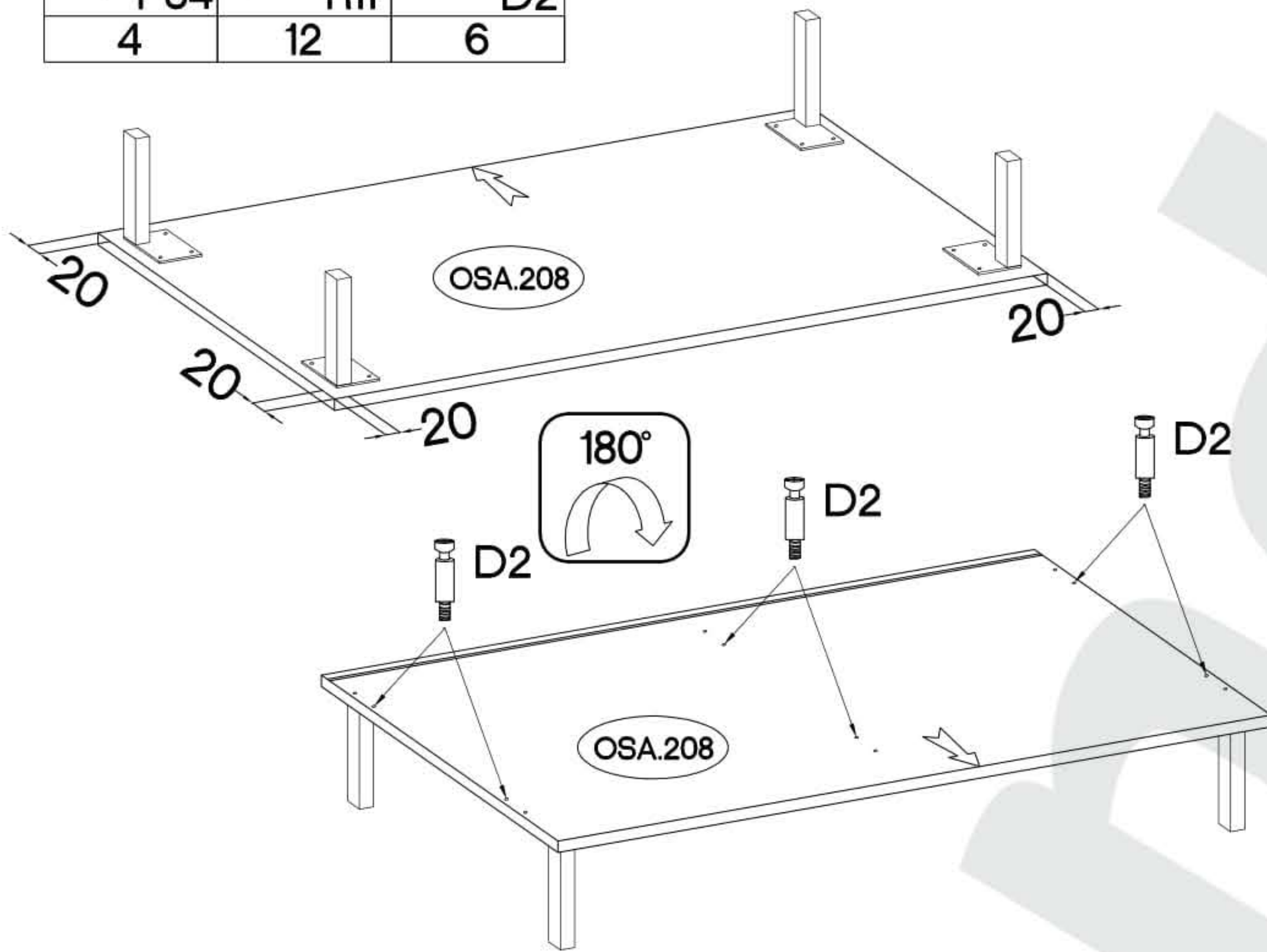
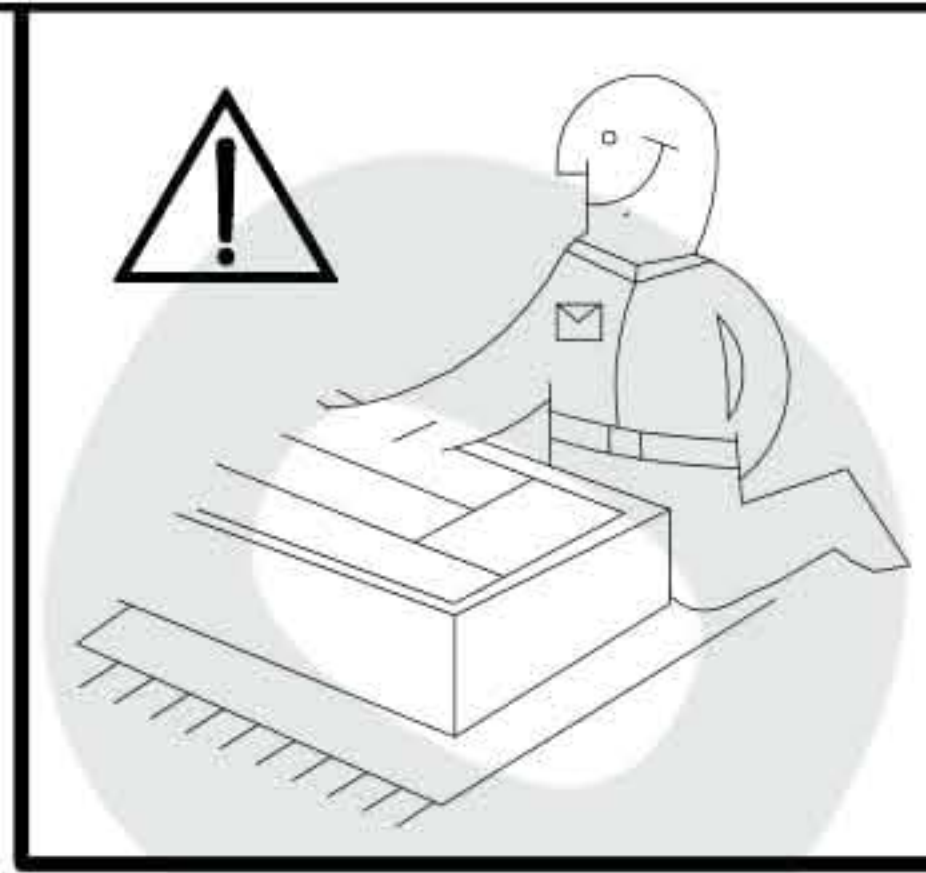
1

∅8x30mm  A	∅15/12mm  C	L=20mm  D2
11	11	2

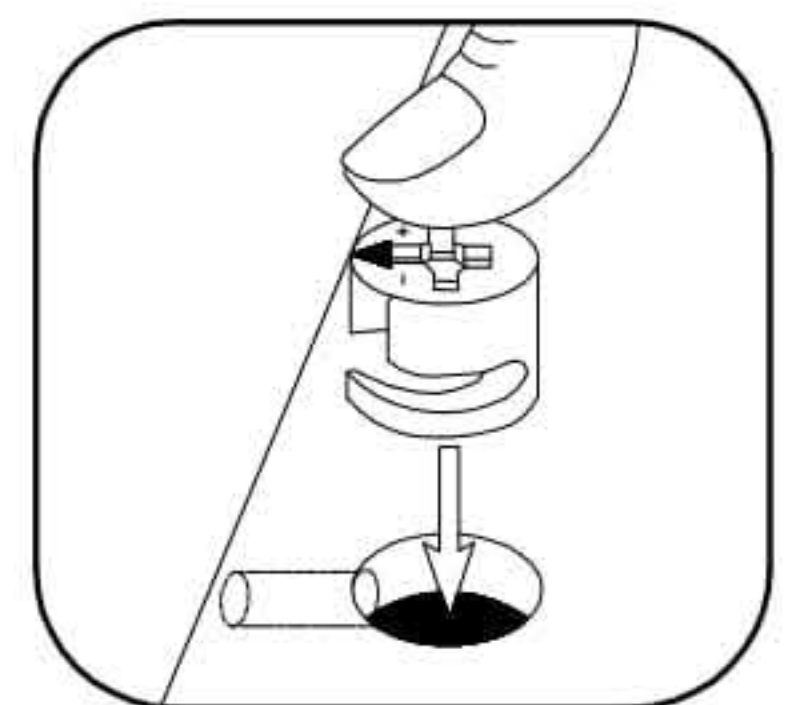
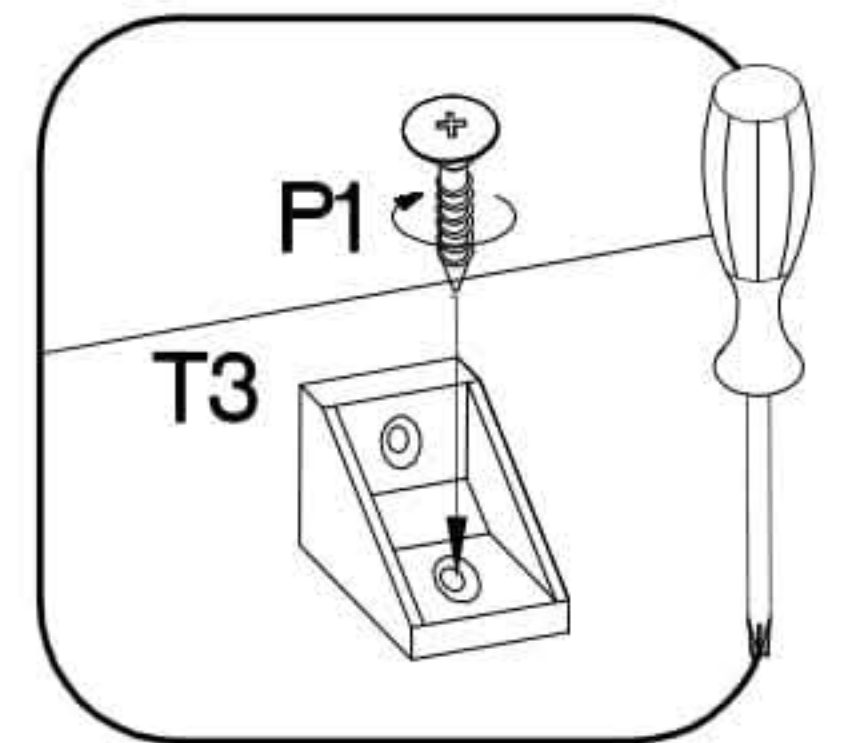
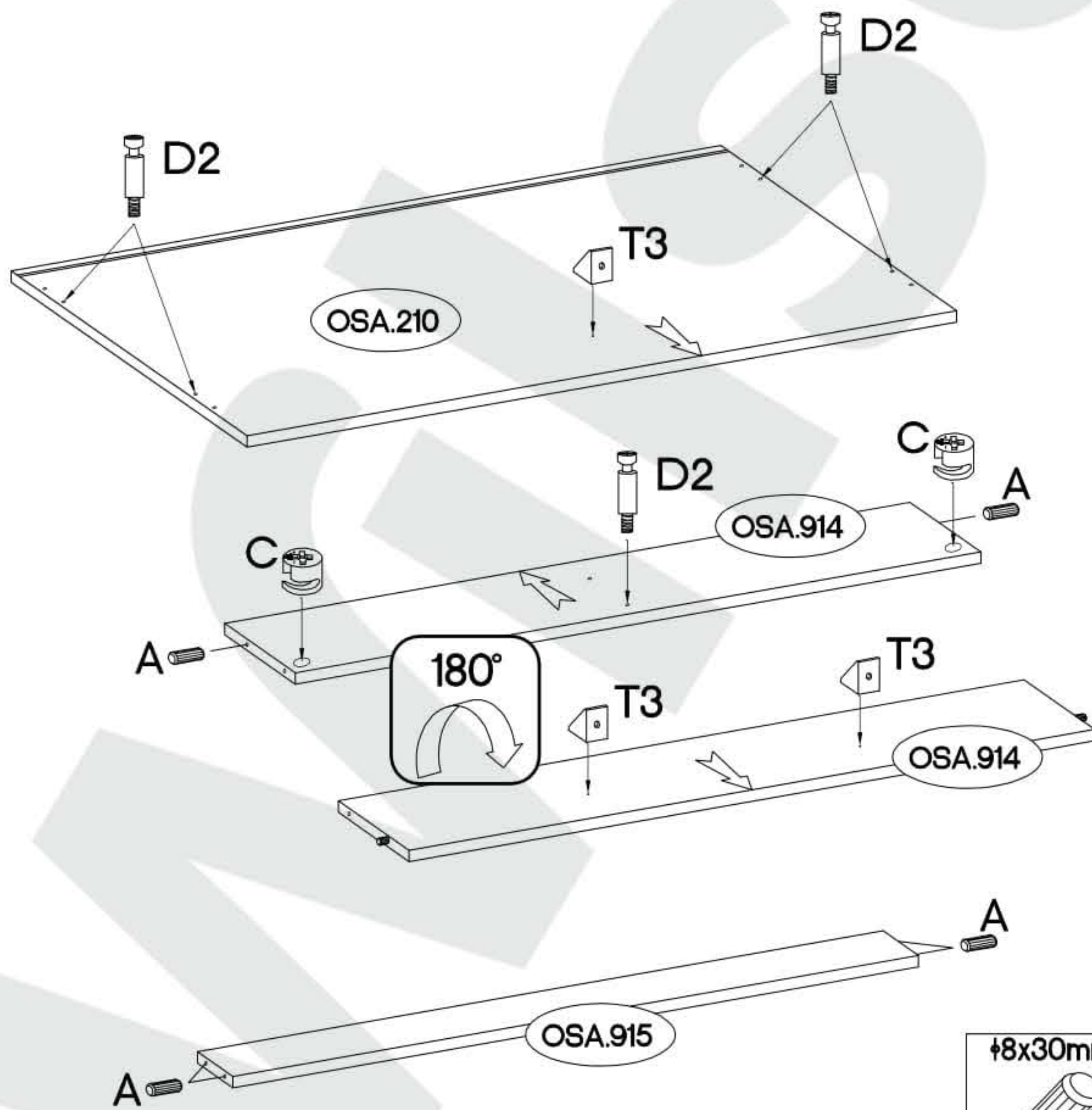
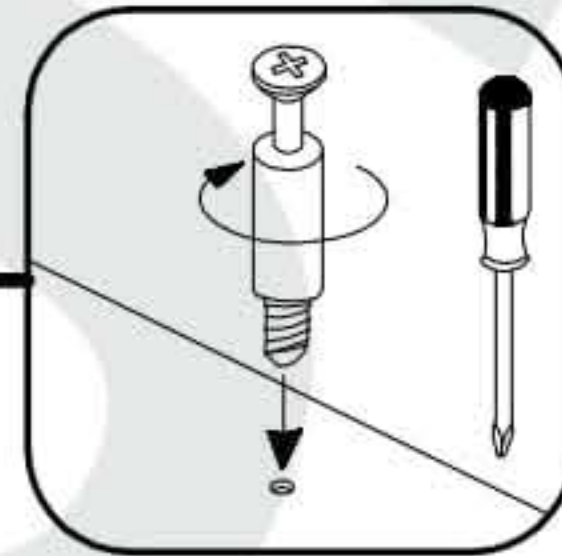
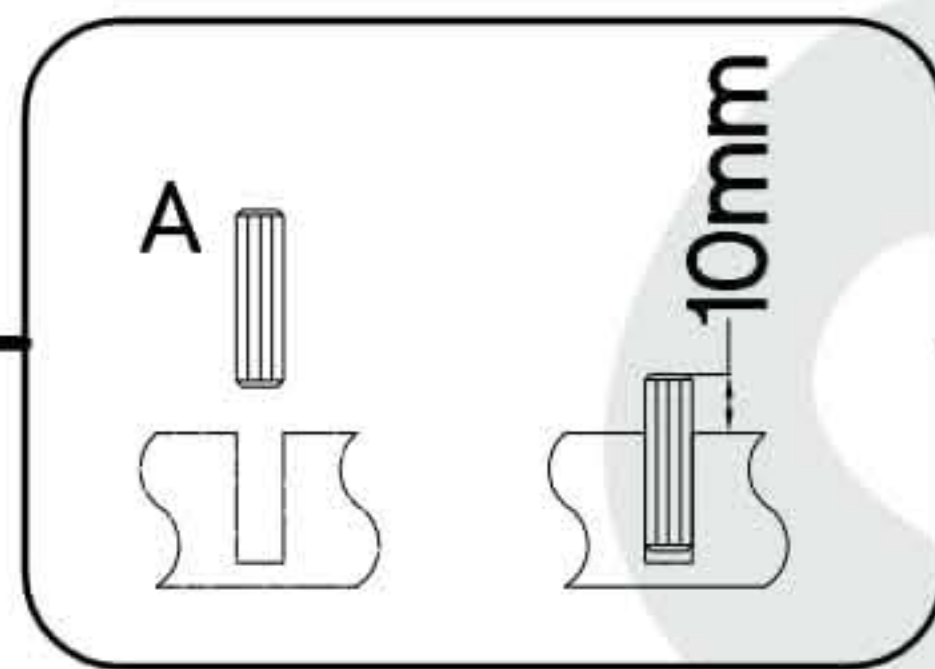


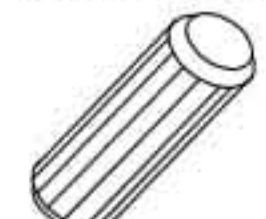




2

L=150mm  F34 4	±4.0x16mm  R11 12	L=20mm  D2 6
---	--	---

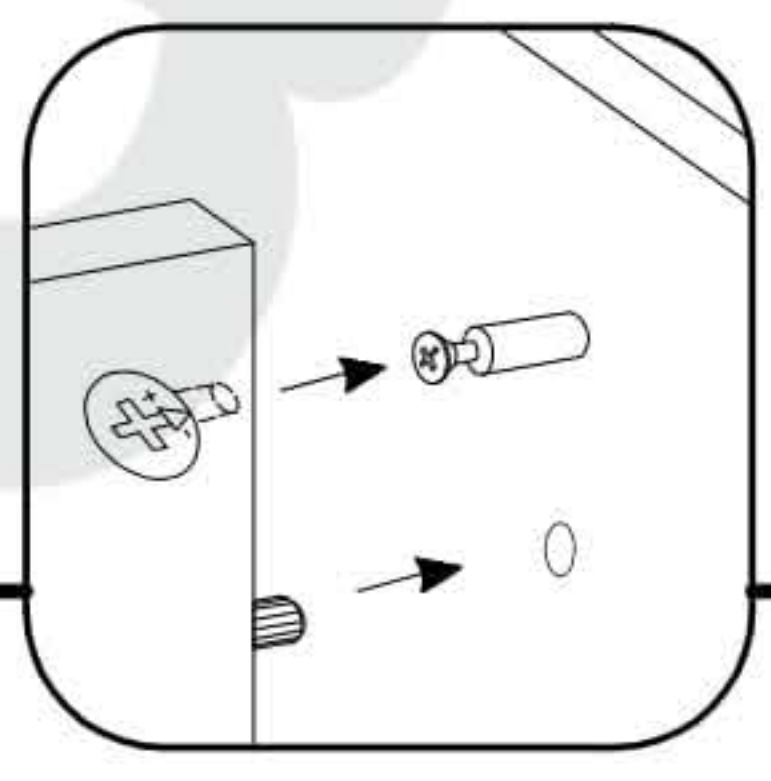
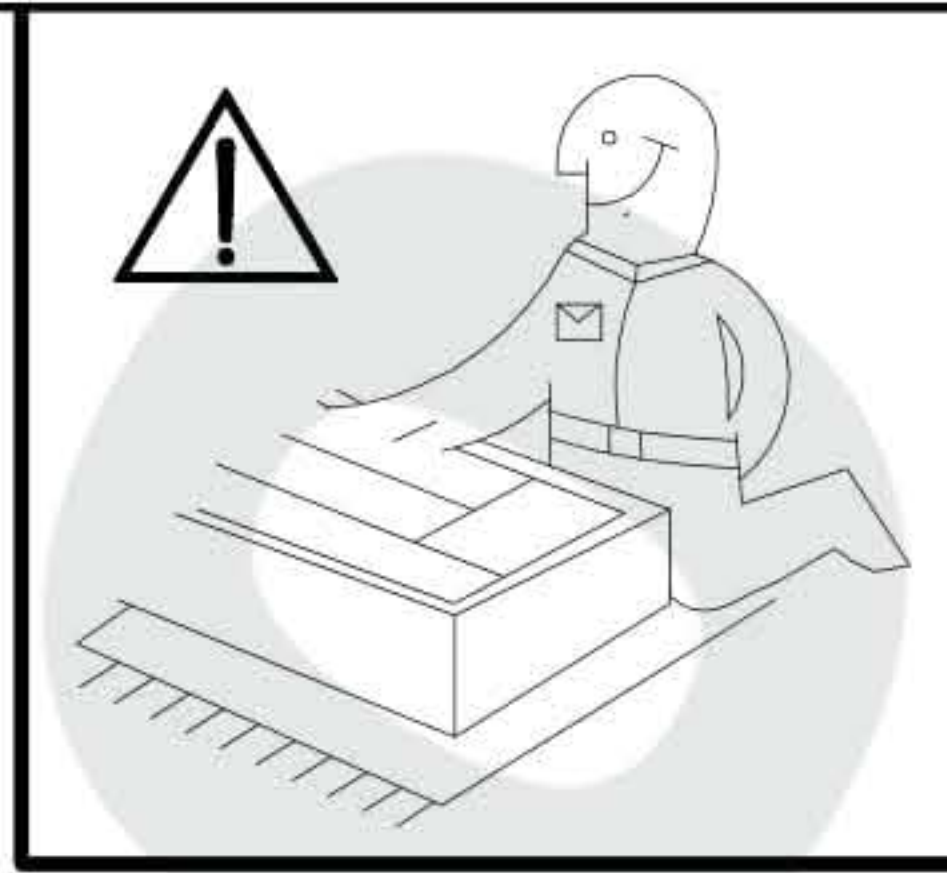
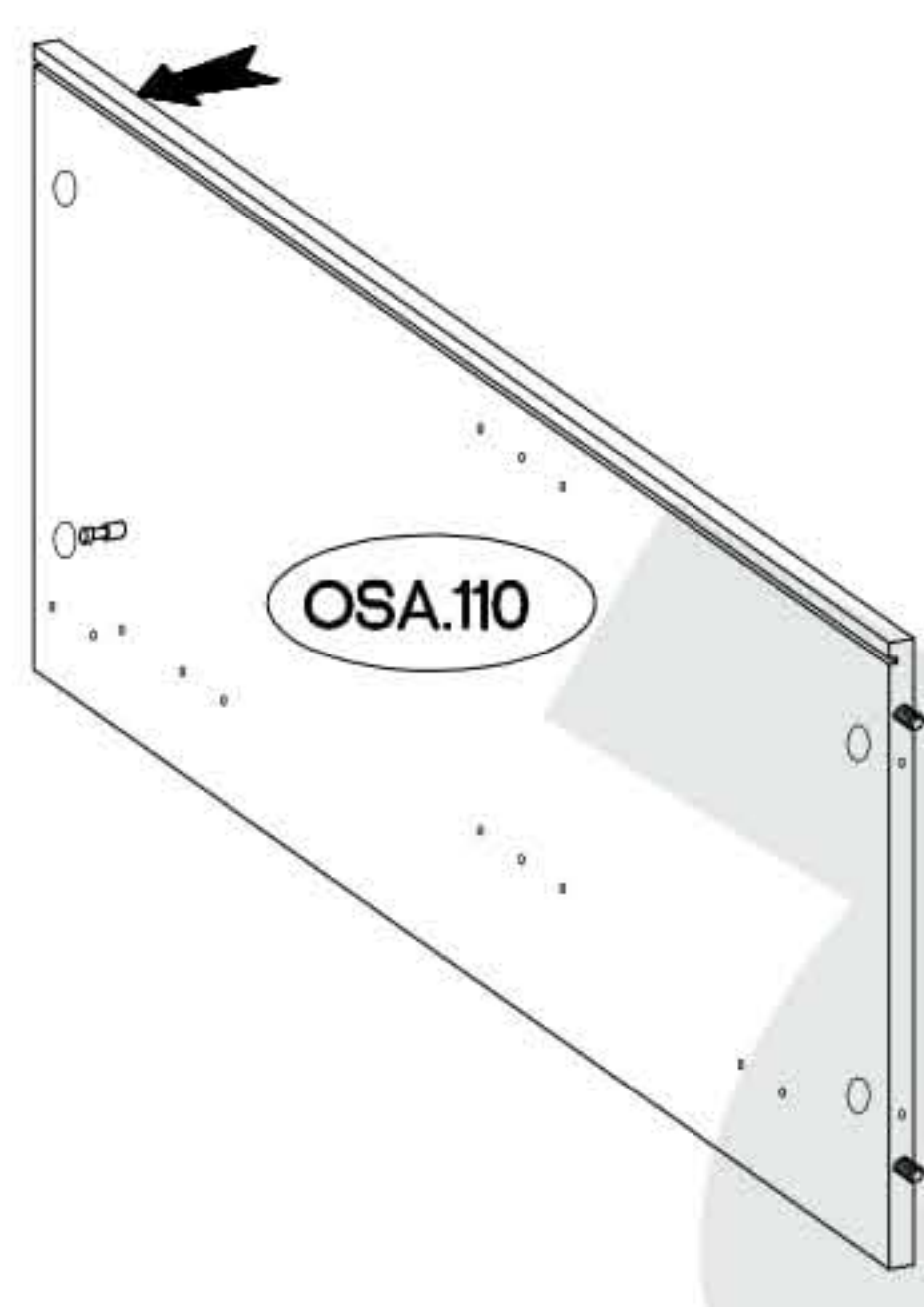
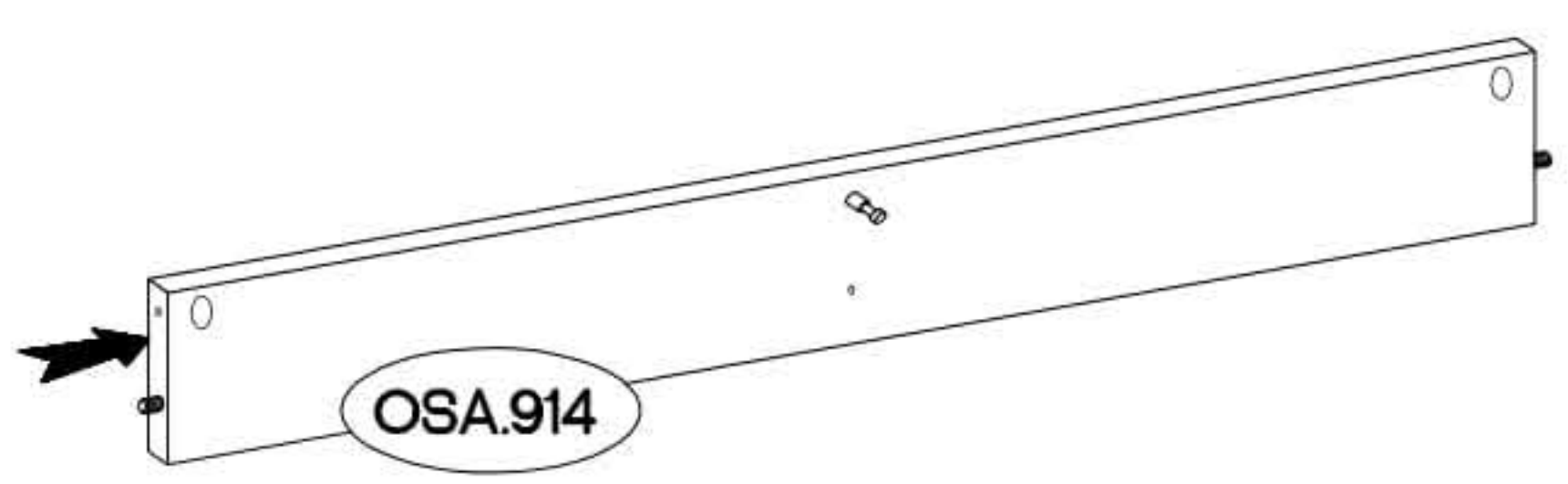


3

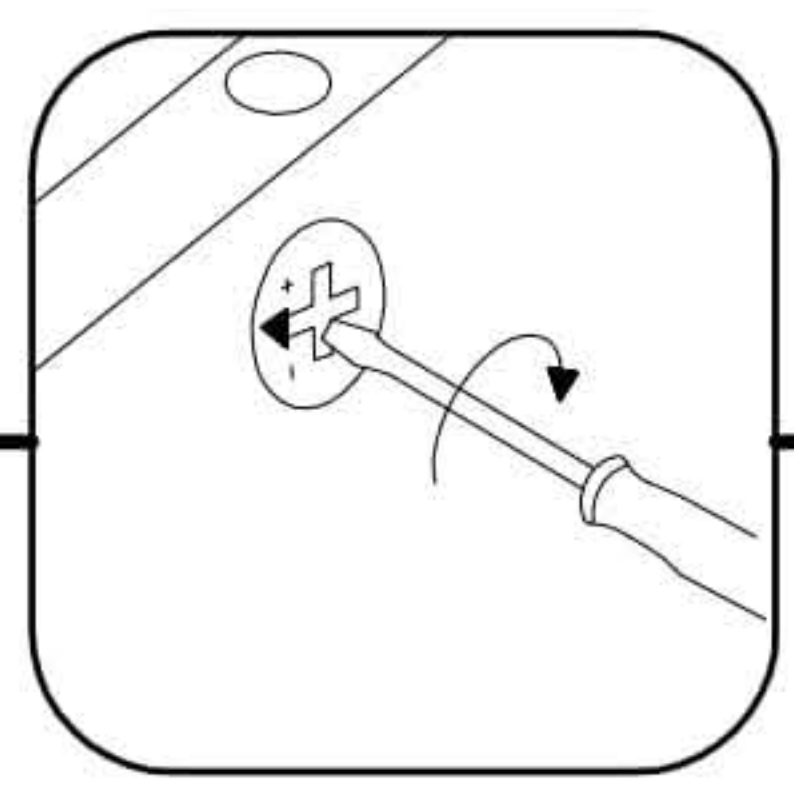
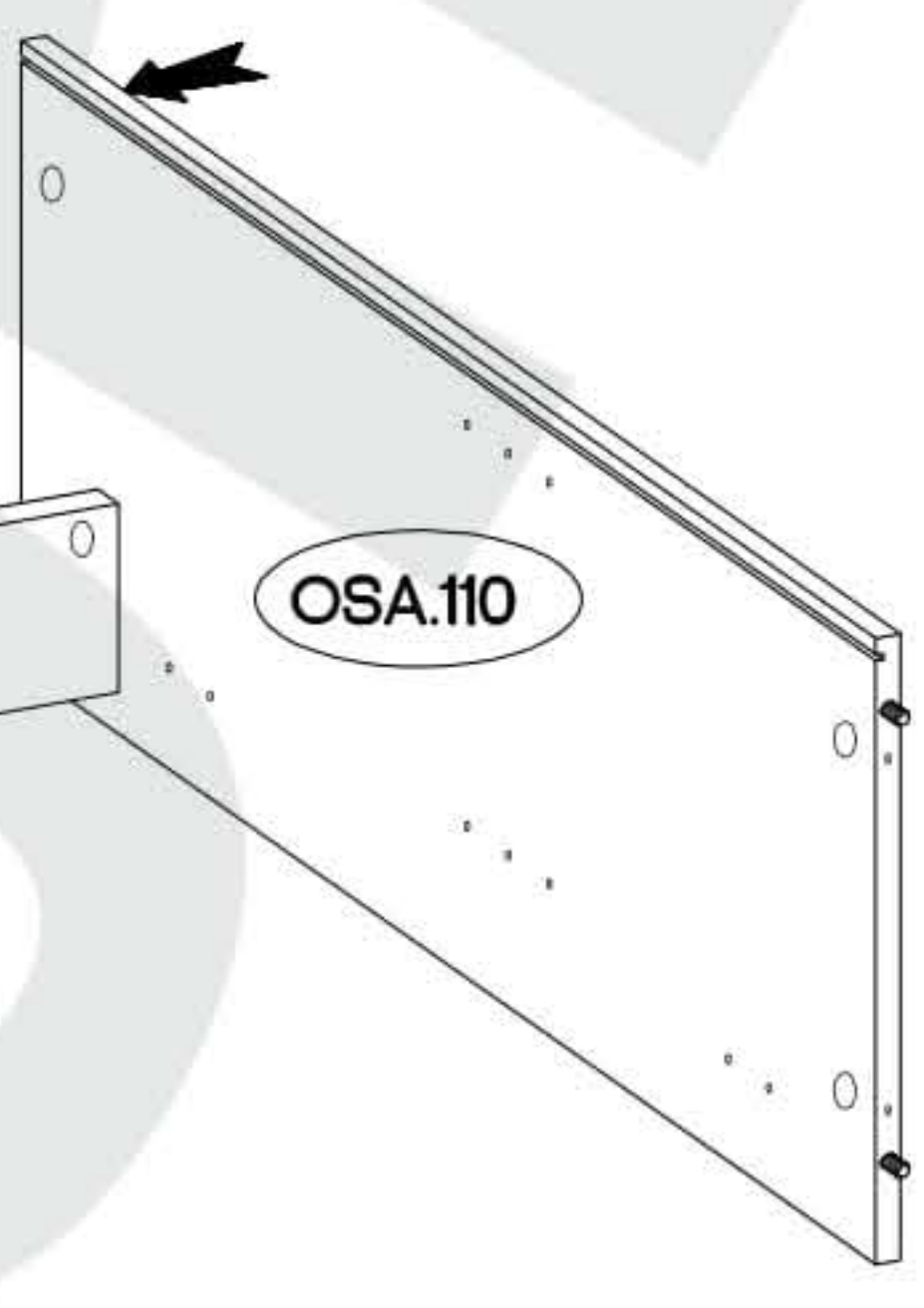
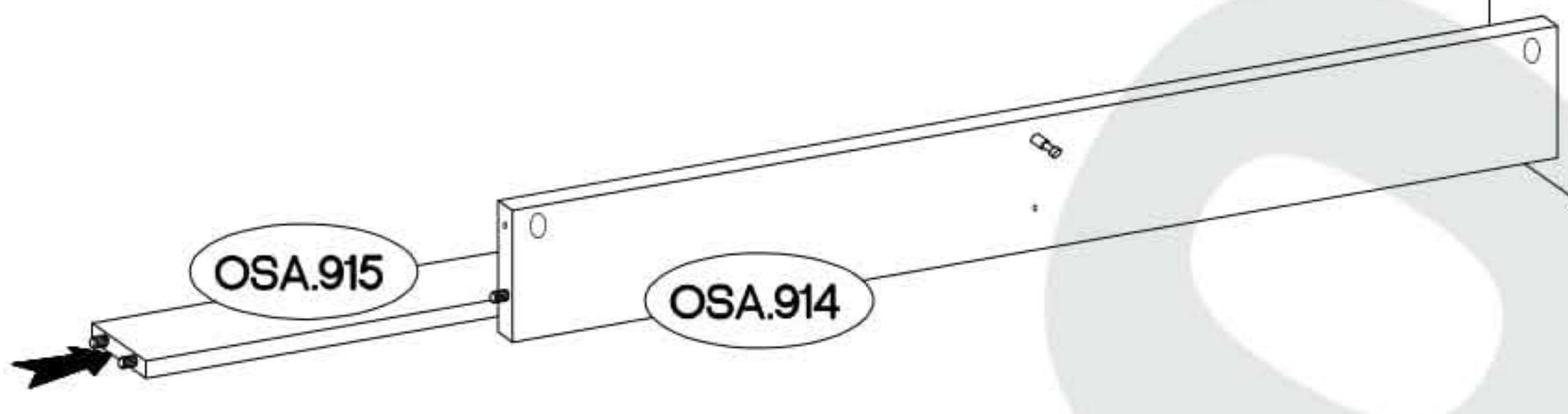


±8x30mm  A 6	±15/12mm  C 2	L=20mm  D2 5	 T3 3	±4.0x16mm  P1 3
--	---	--	--	---

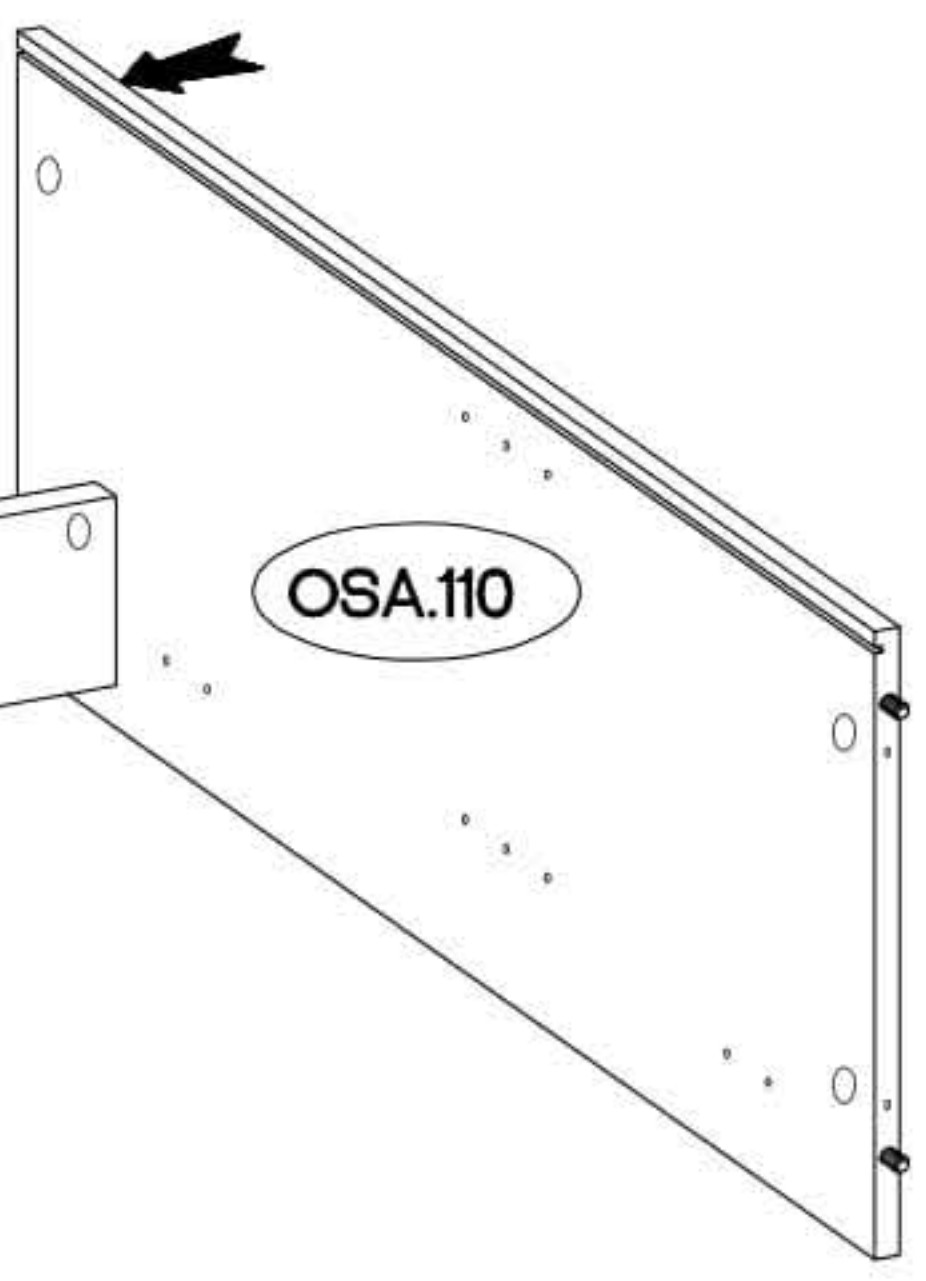
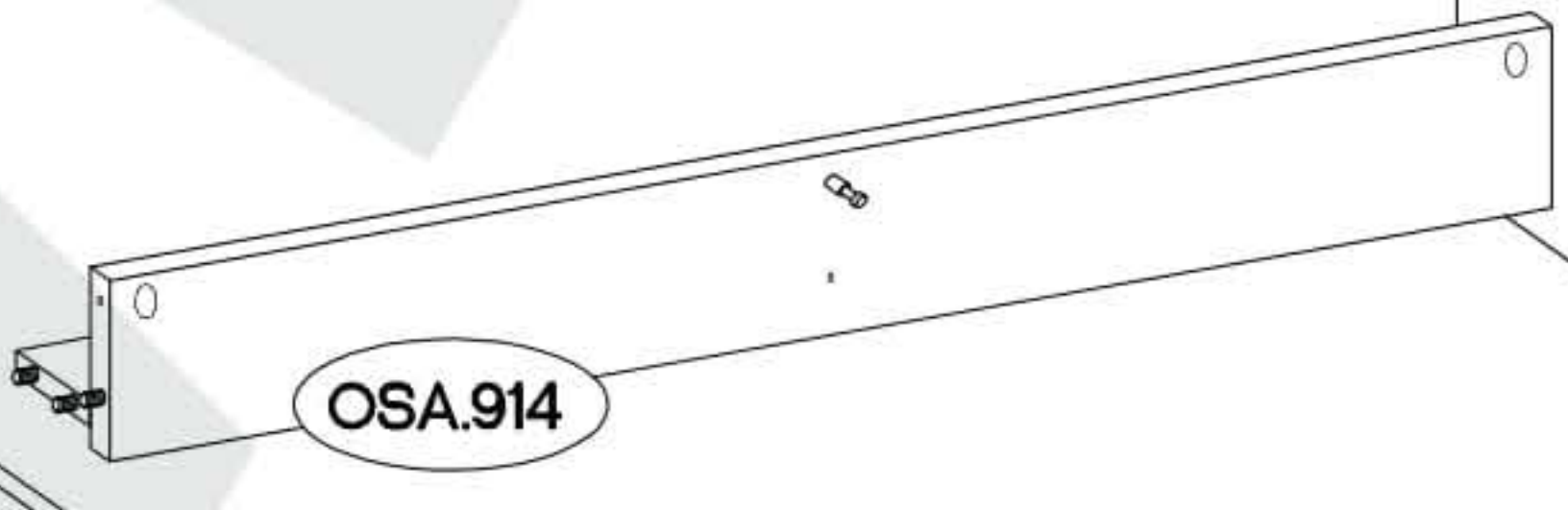
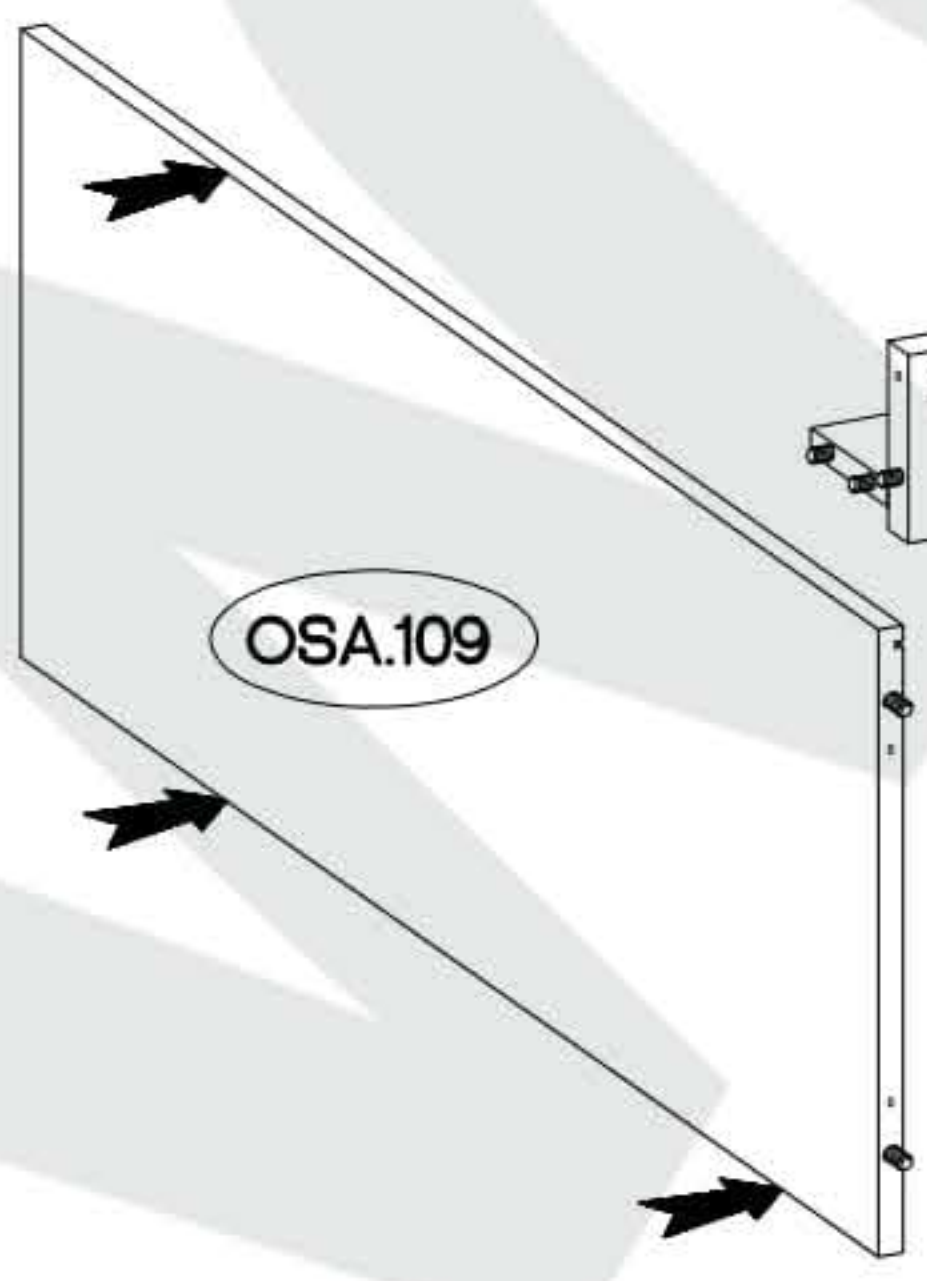
4



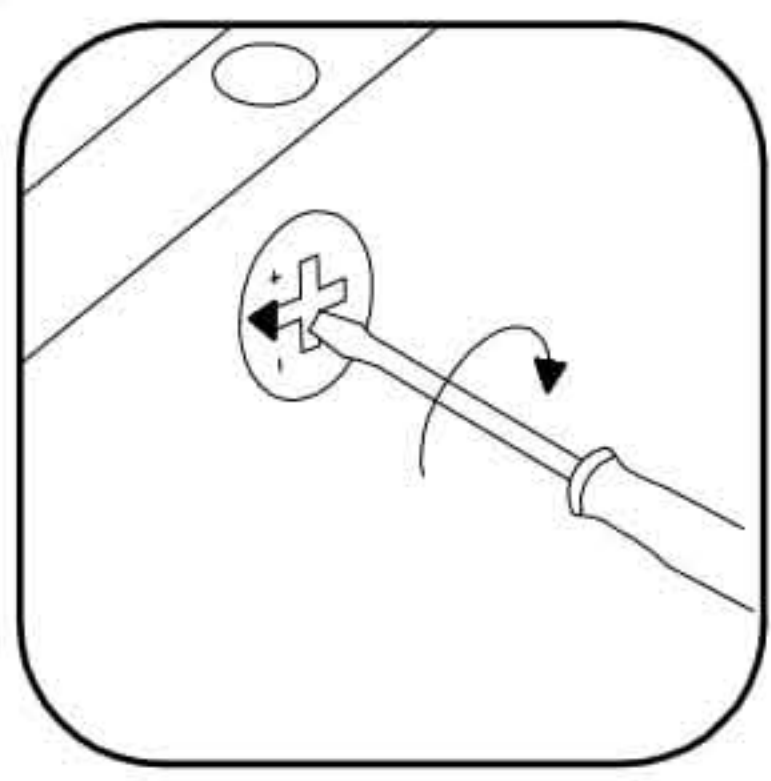
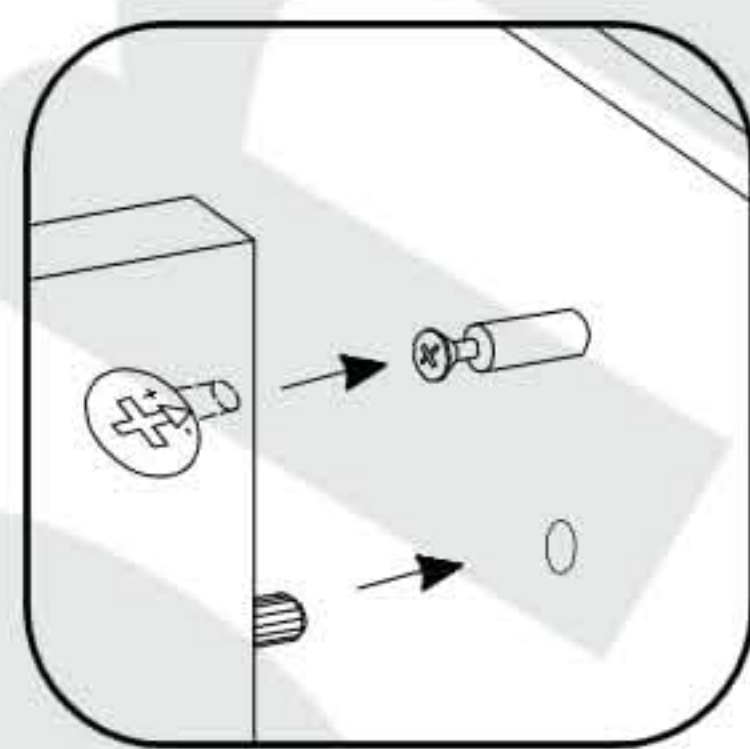
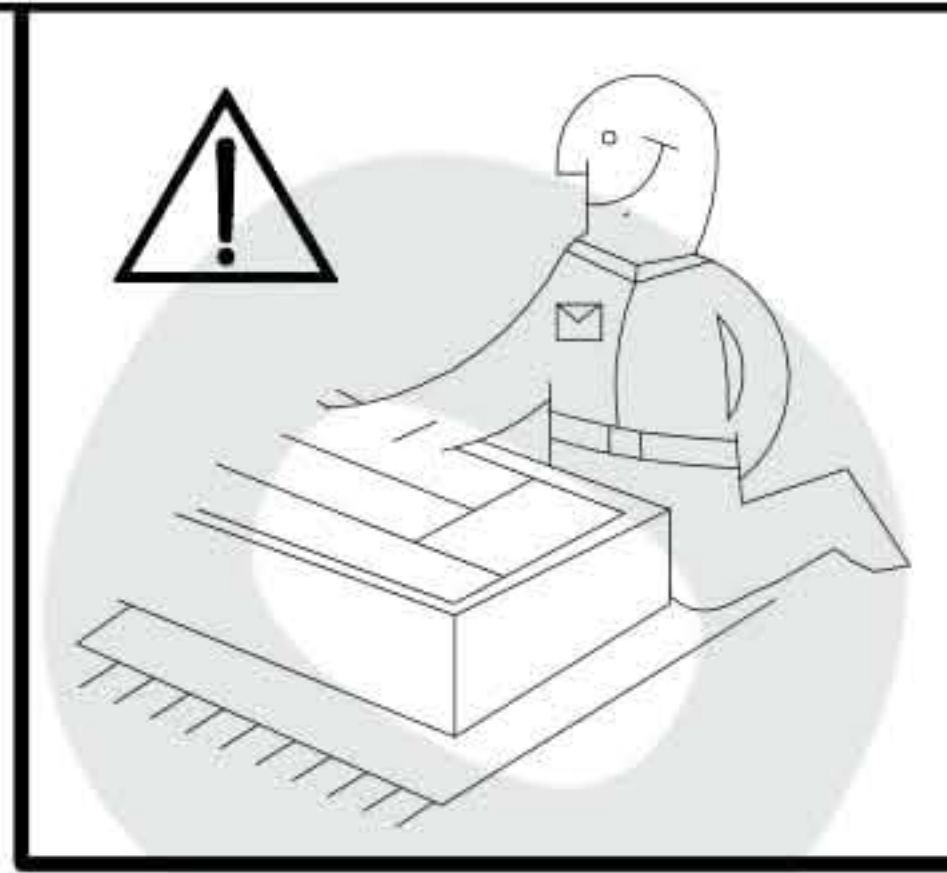
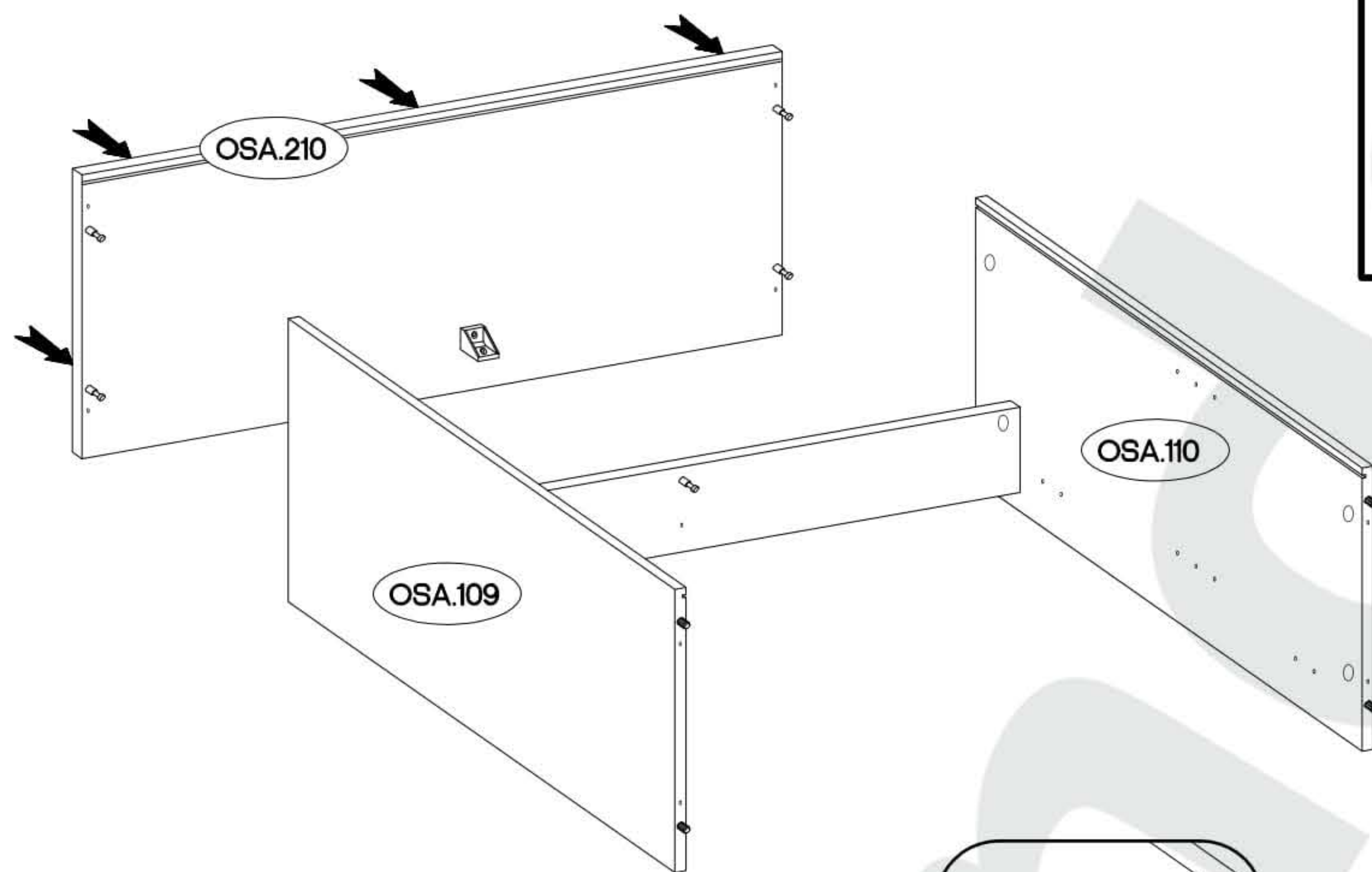
5




6

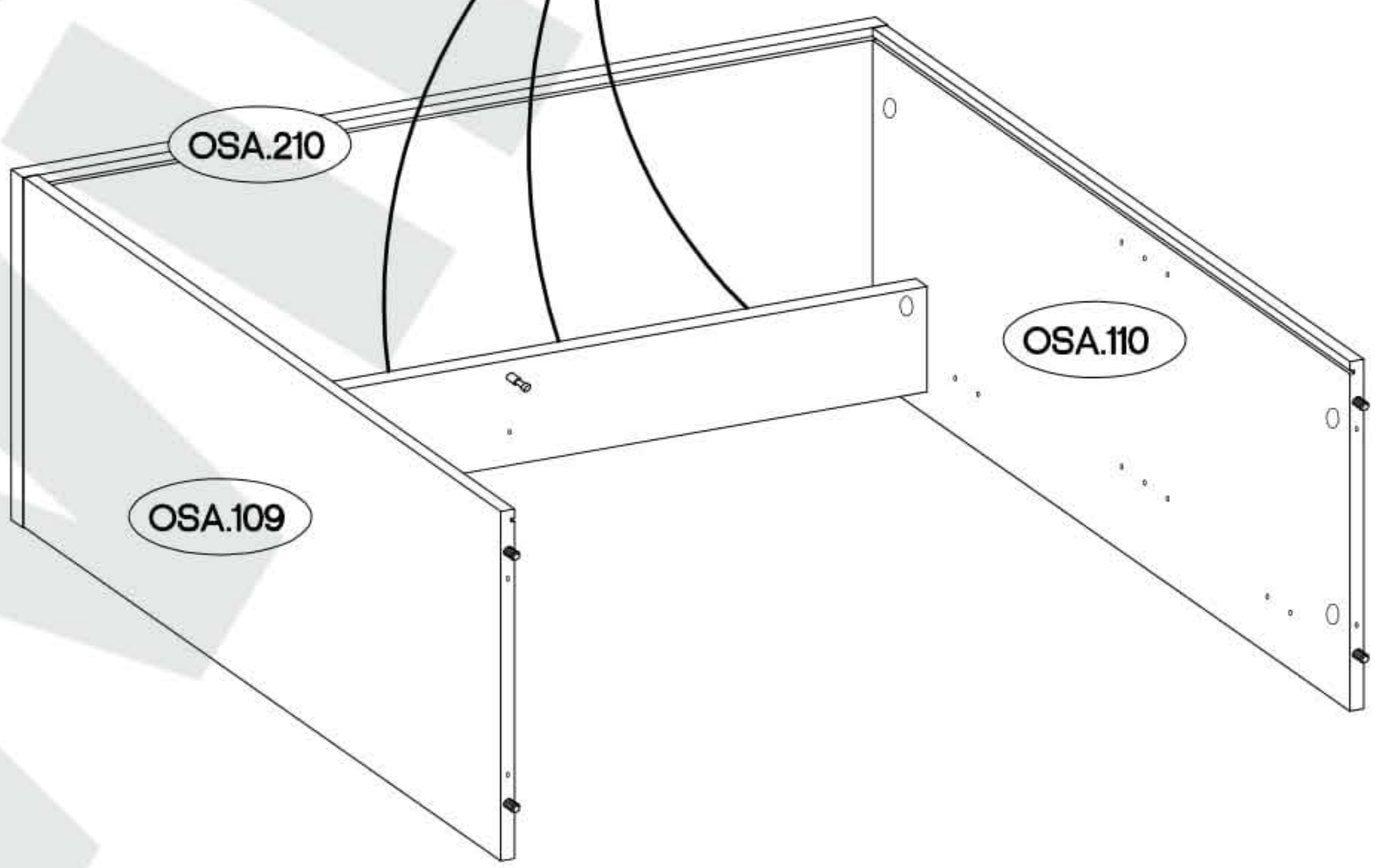
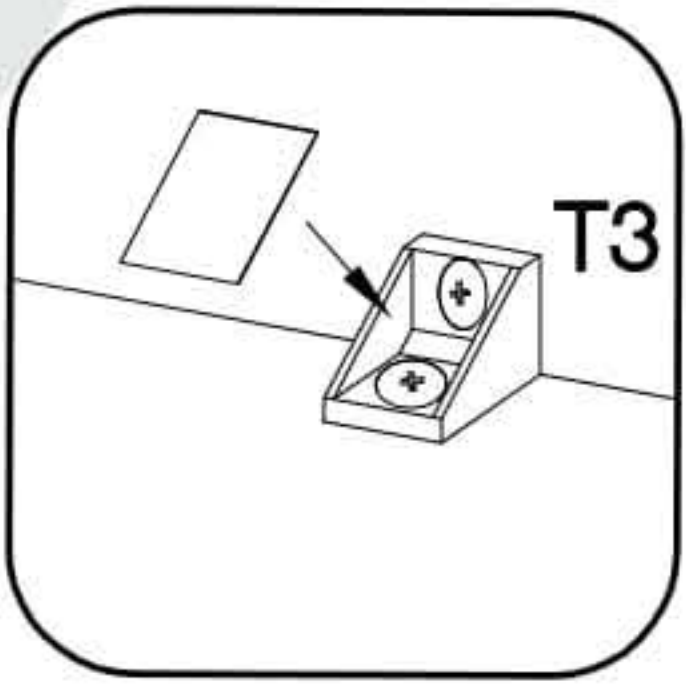
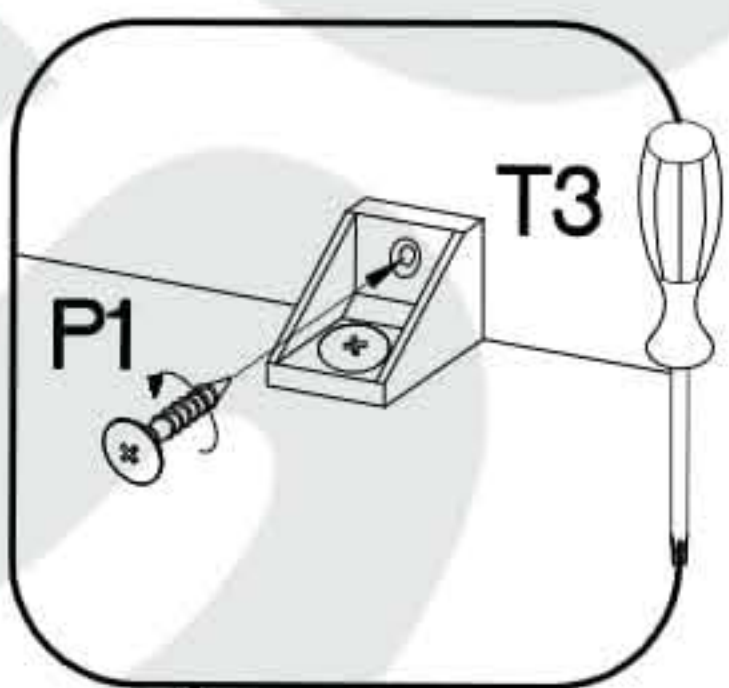


7

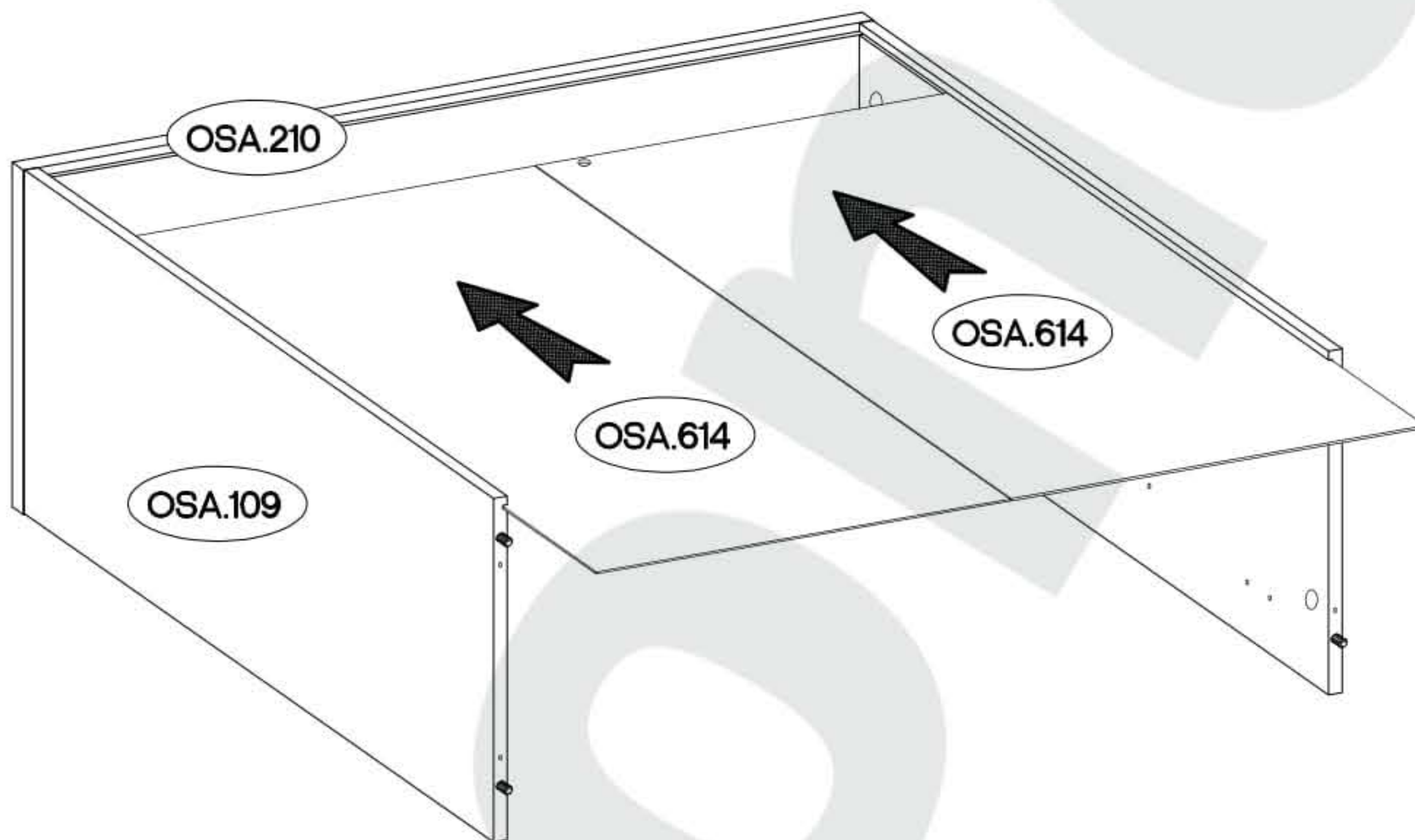
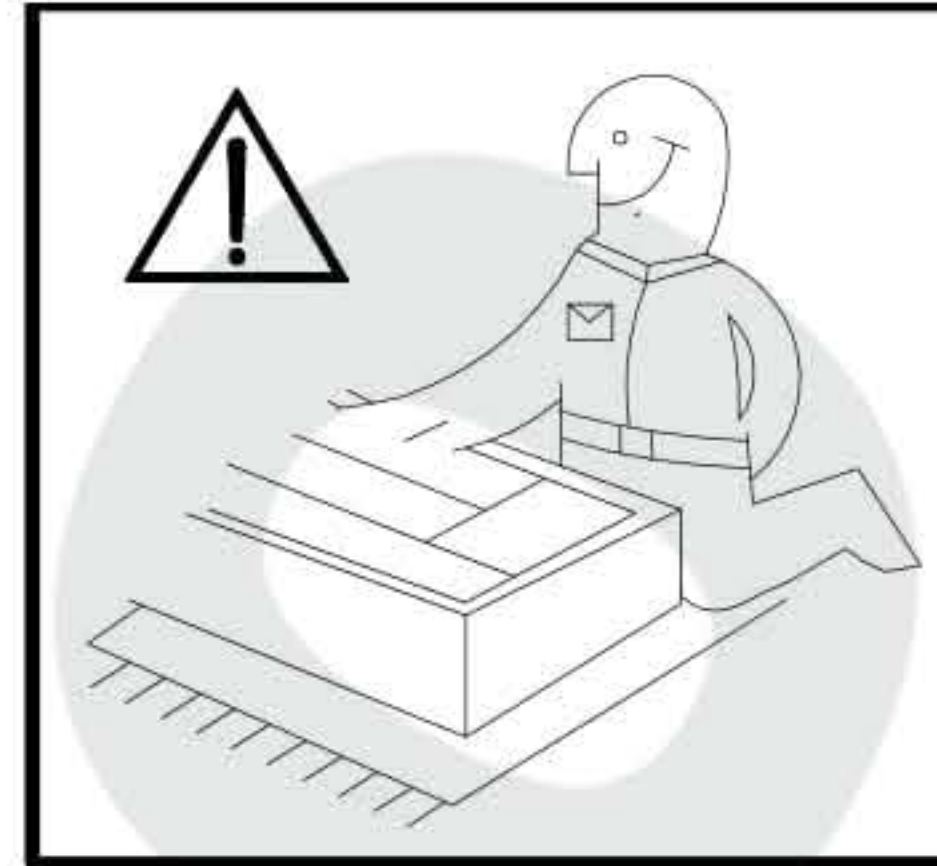
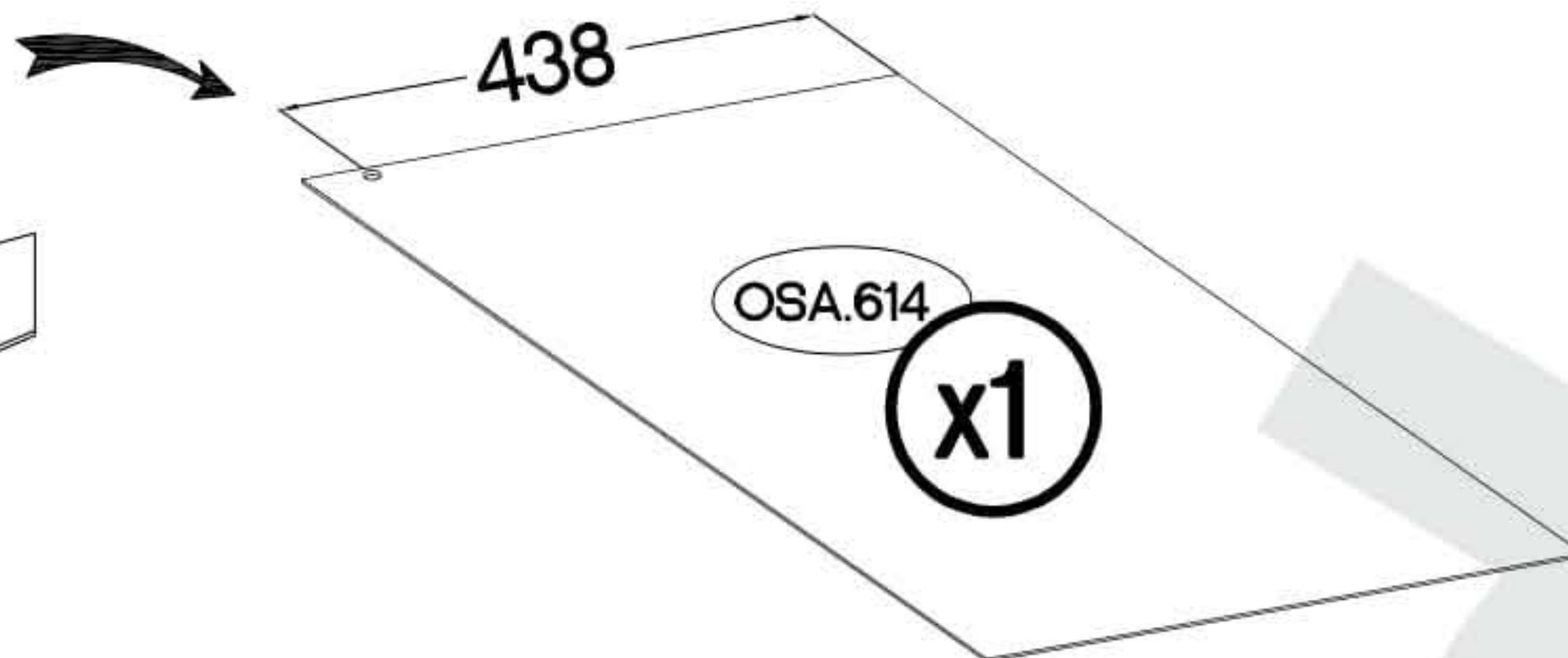
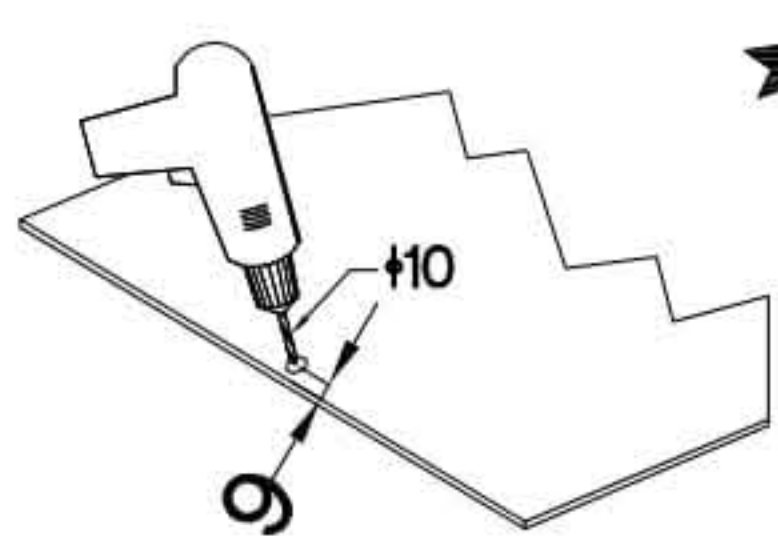


8

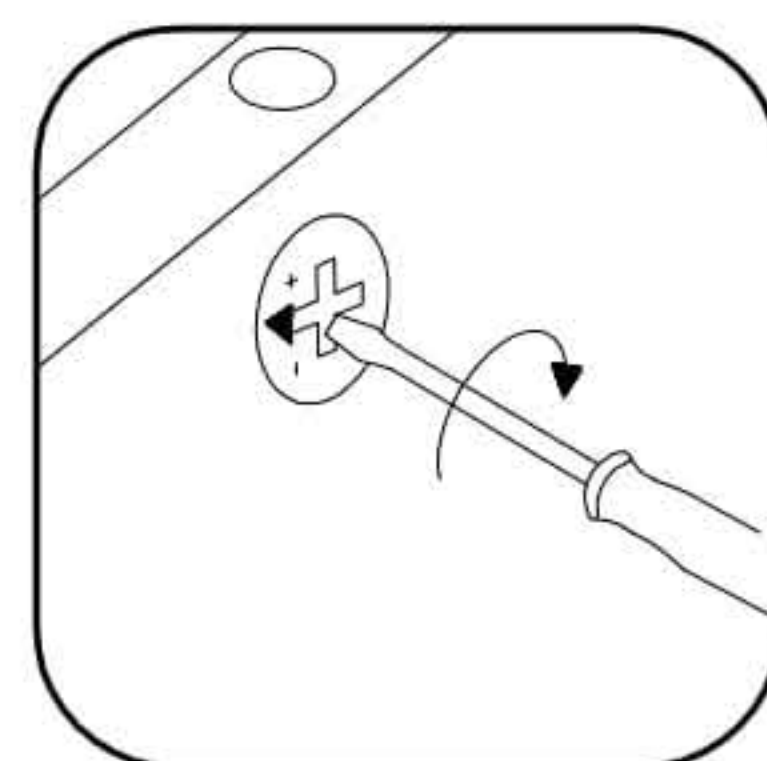
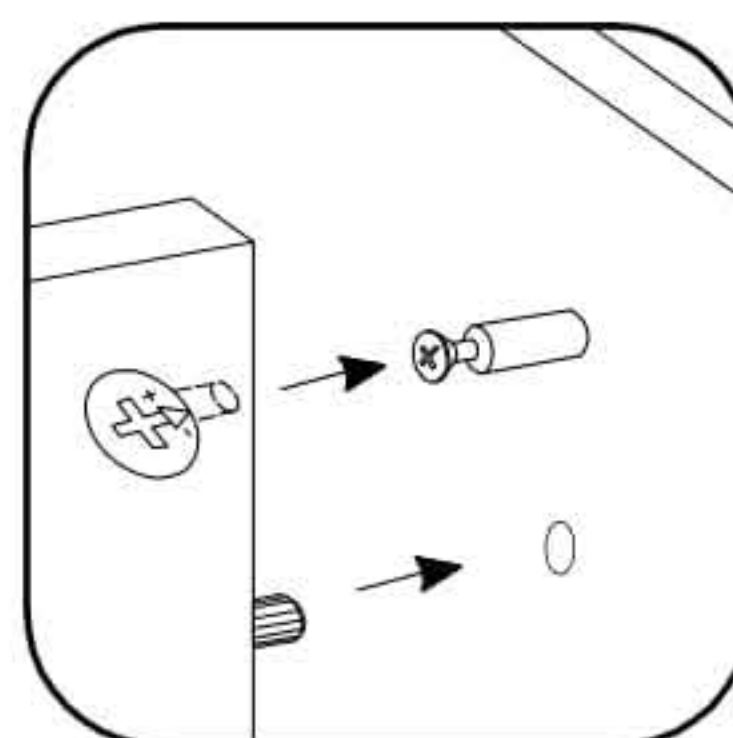
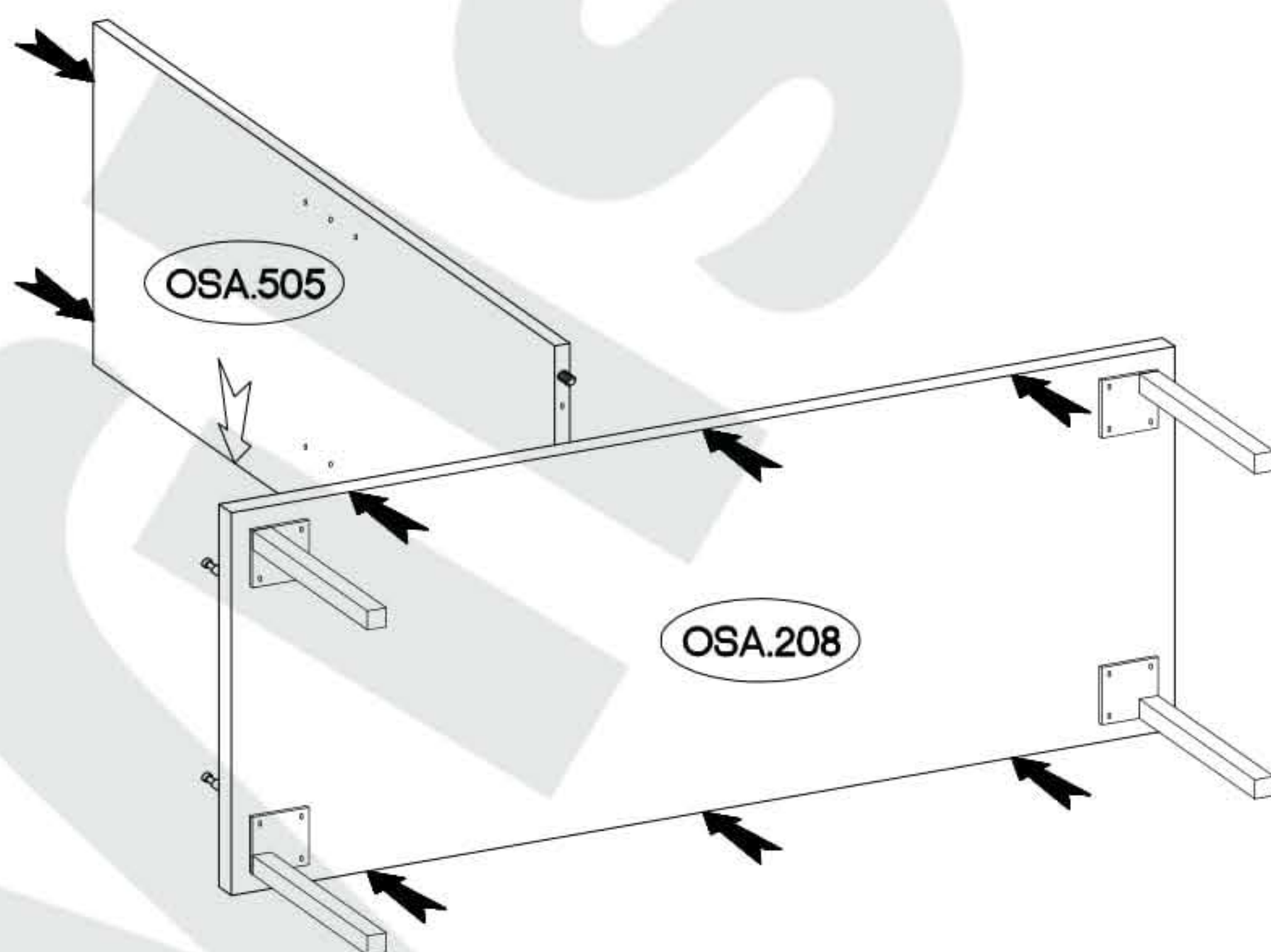
4.0x16mm

P1
3





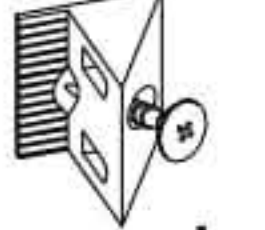
9

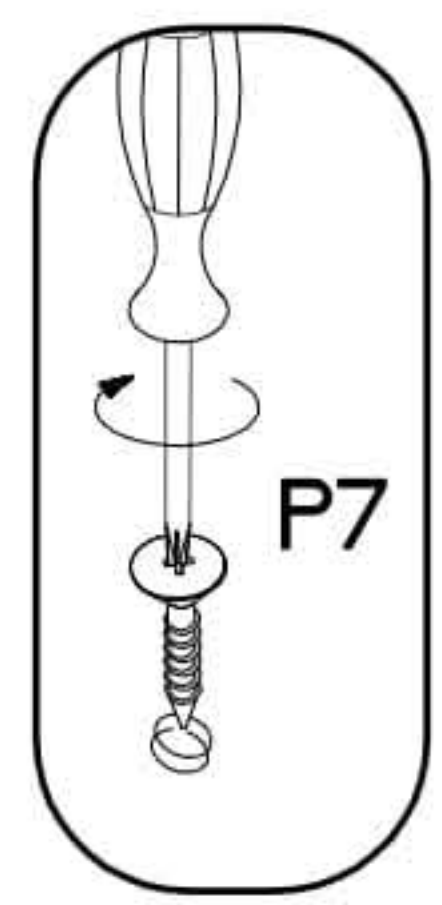
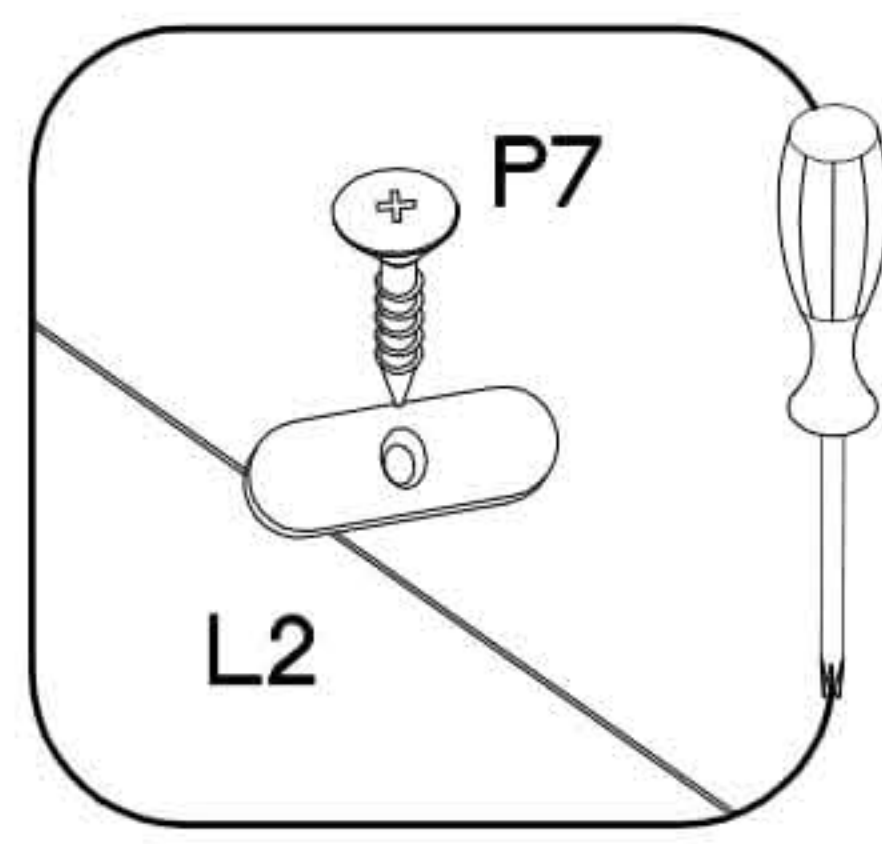
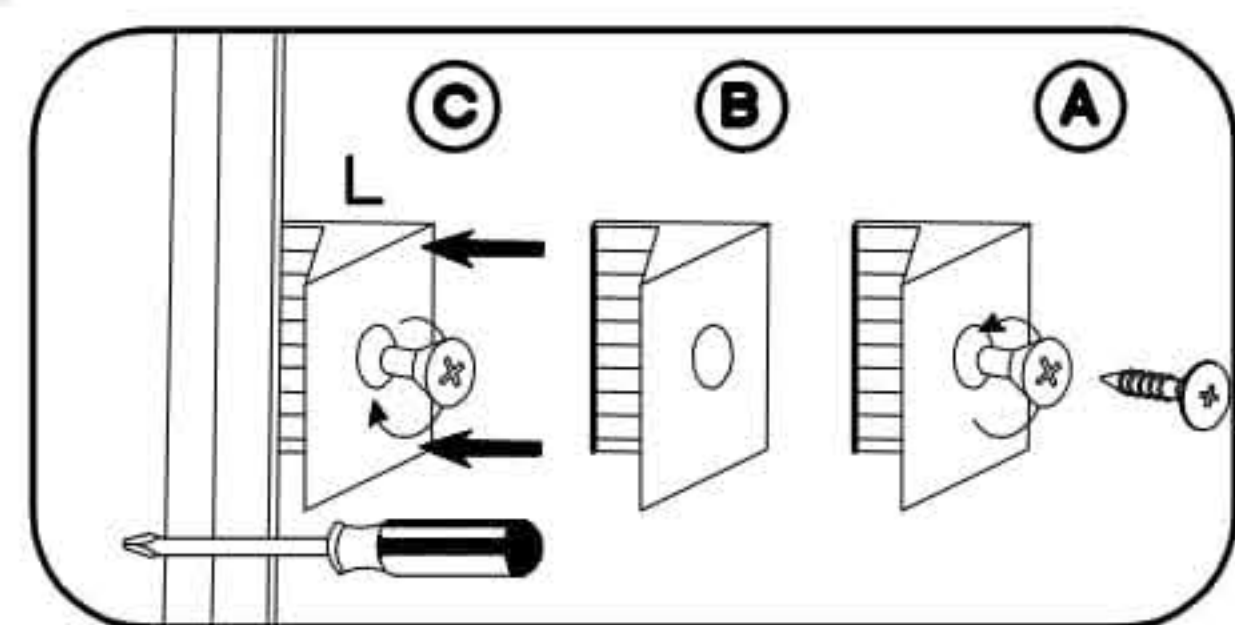
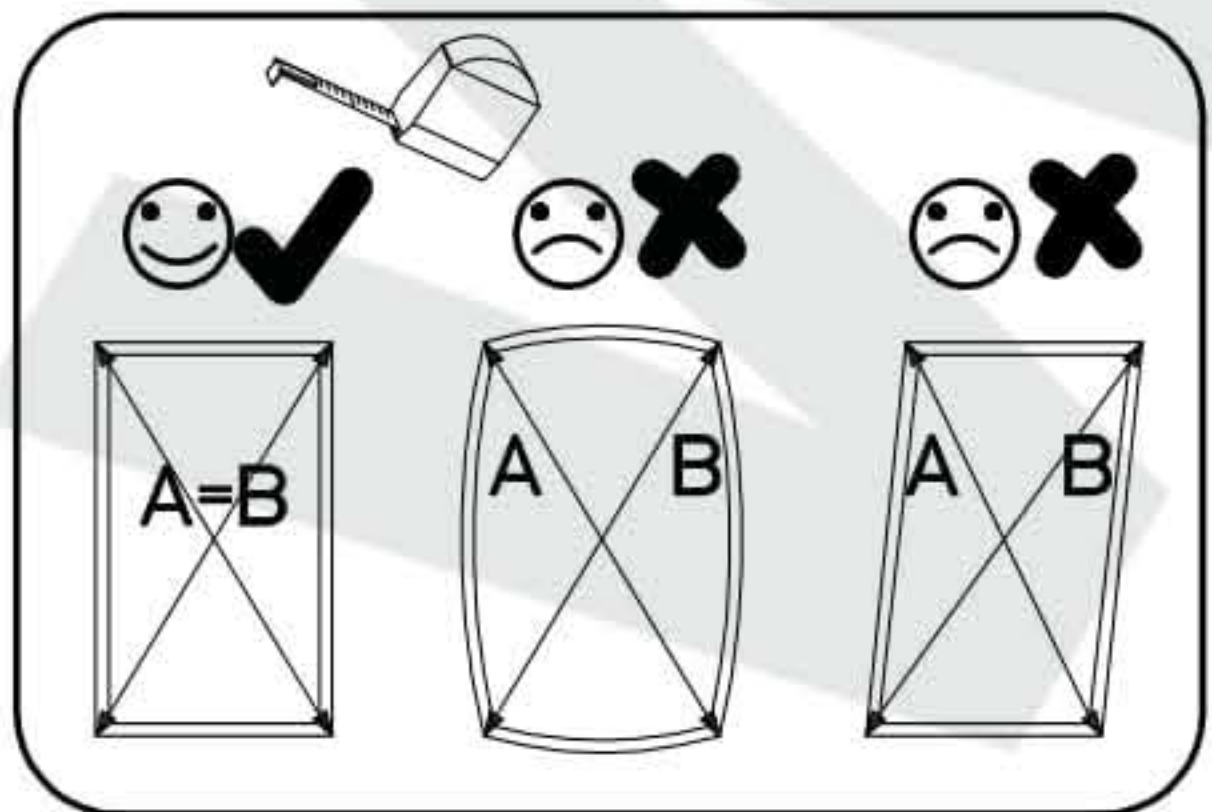
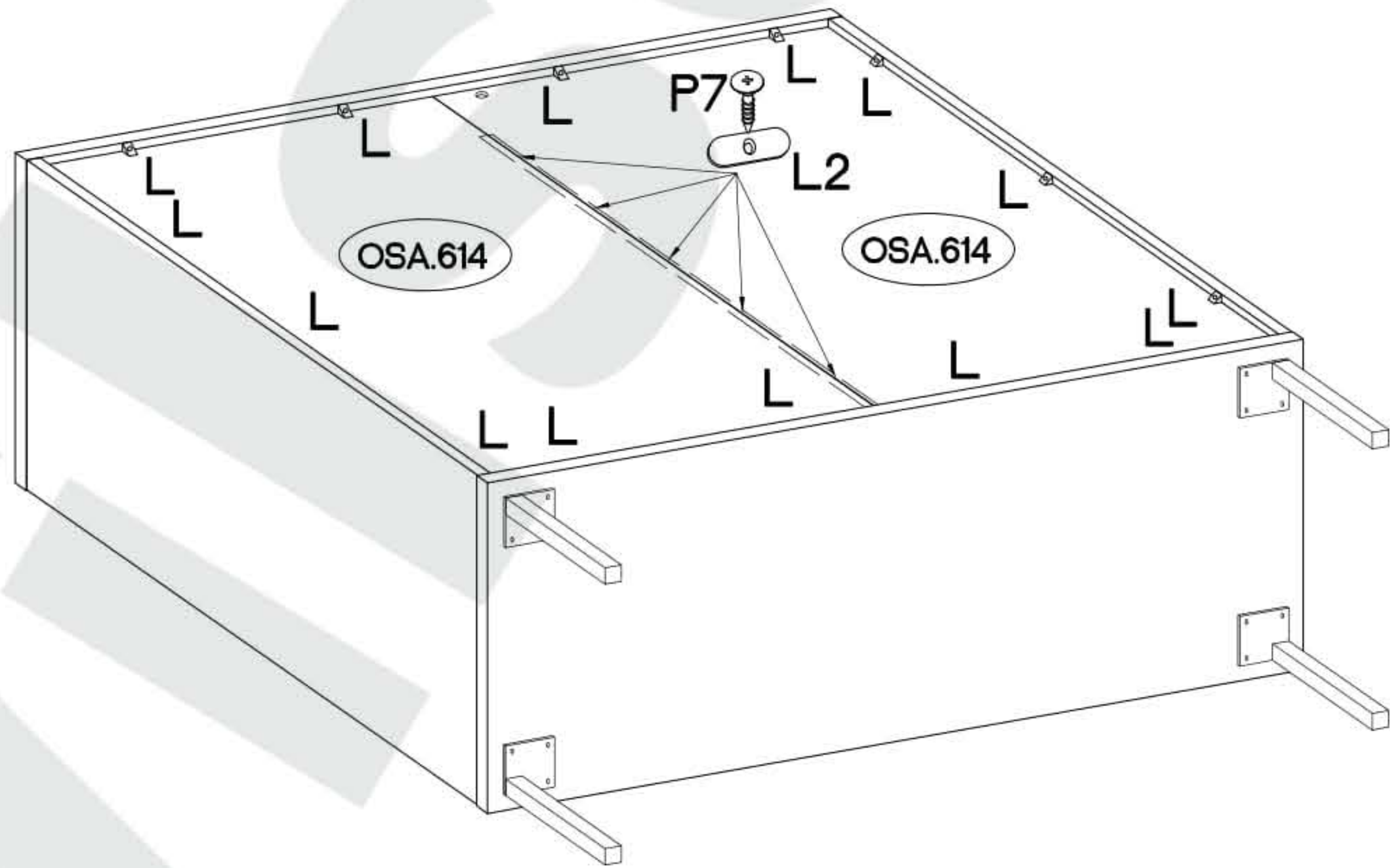
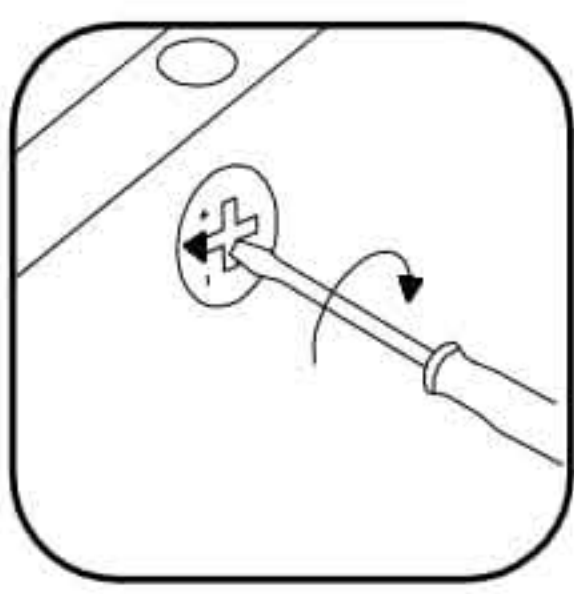
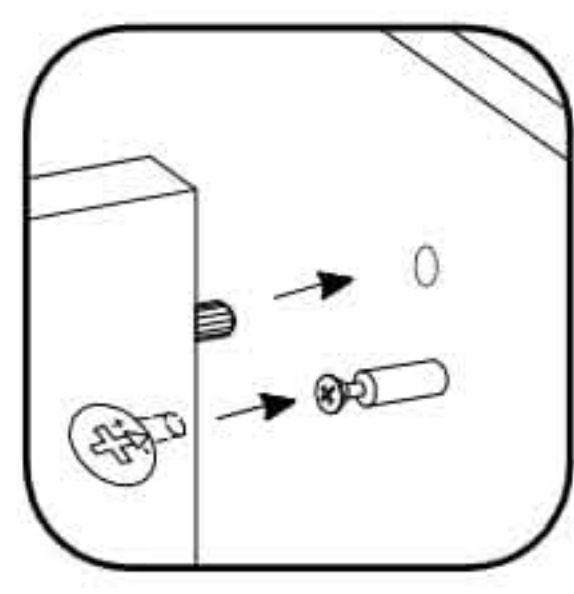
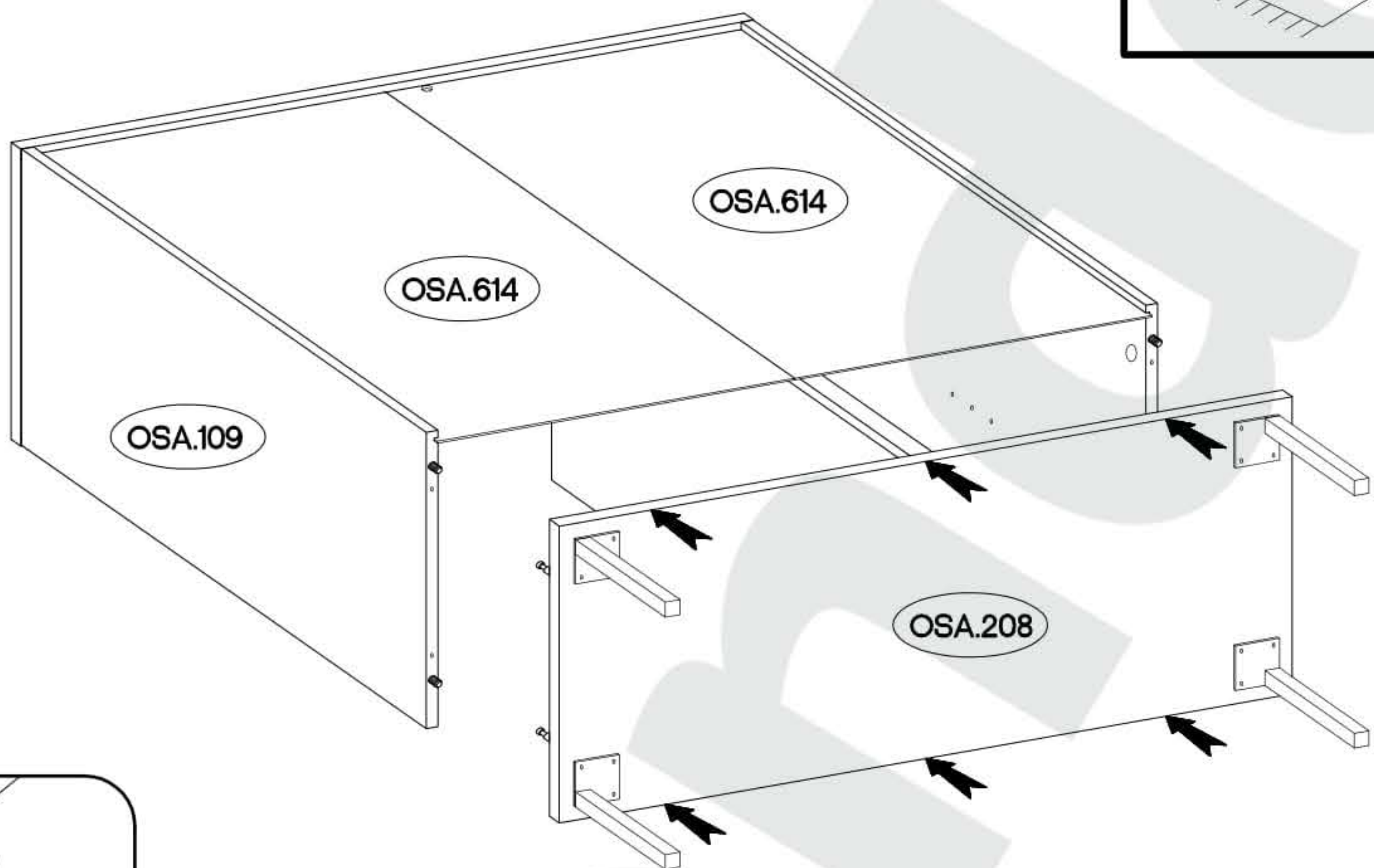
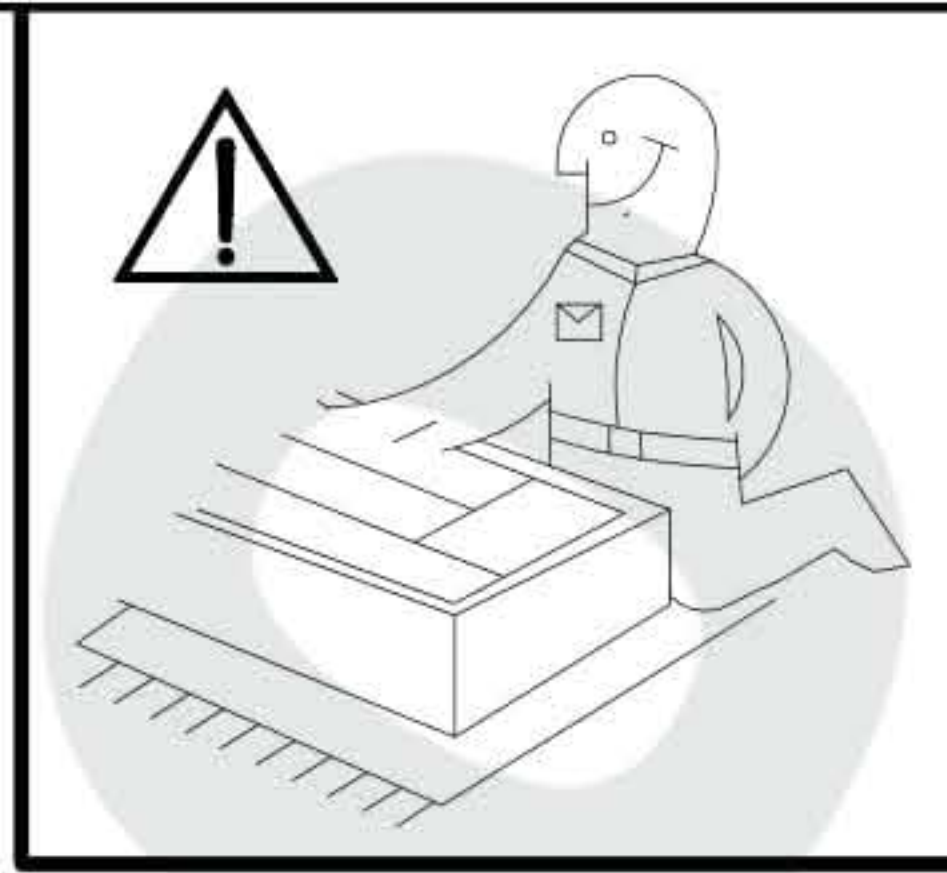





10

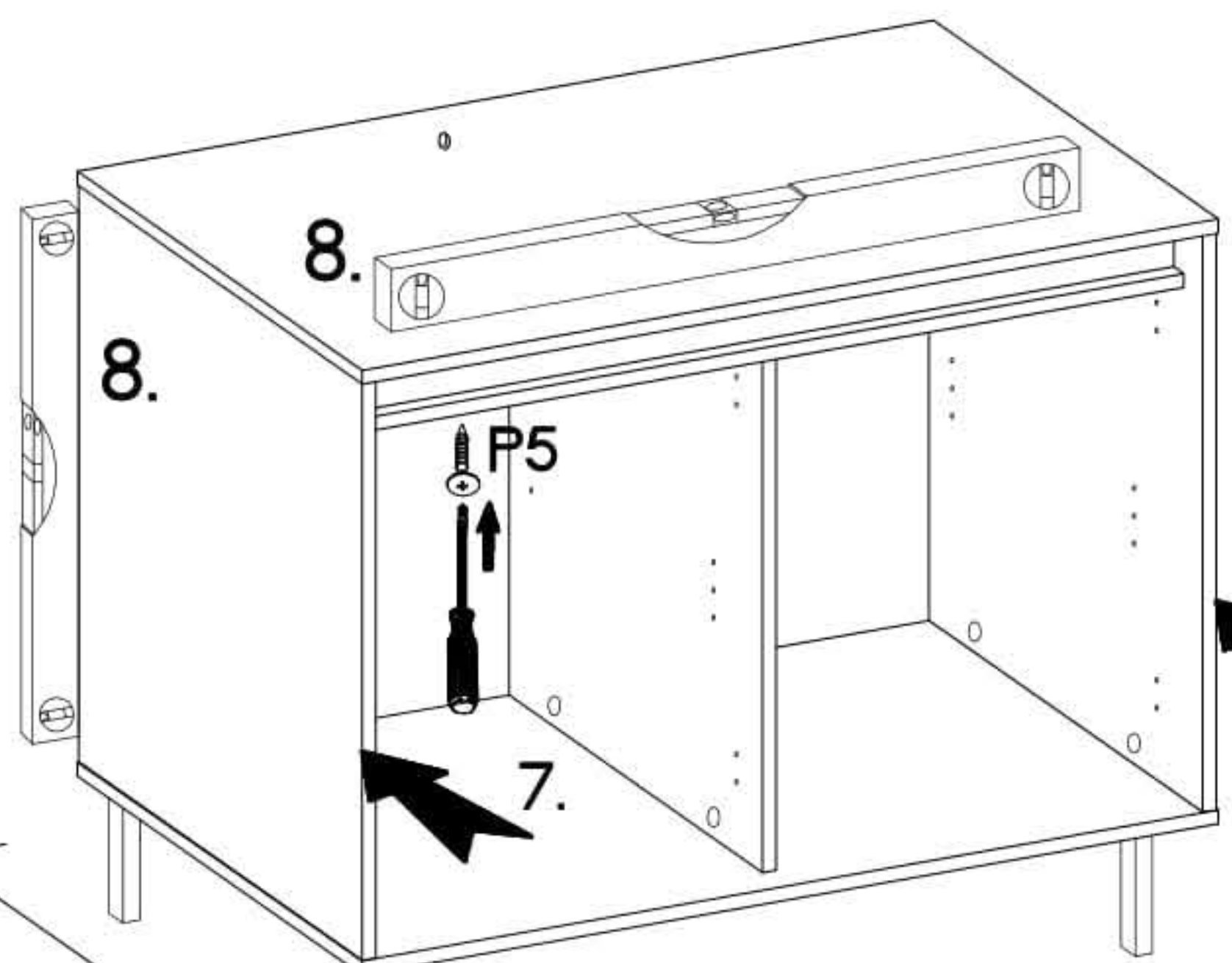
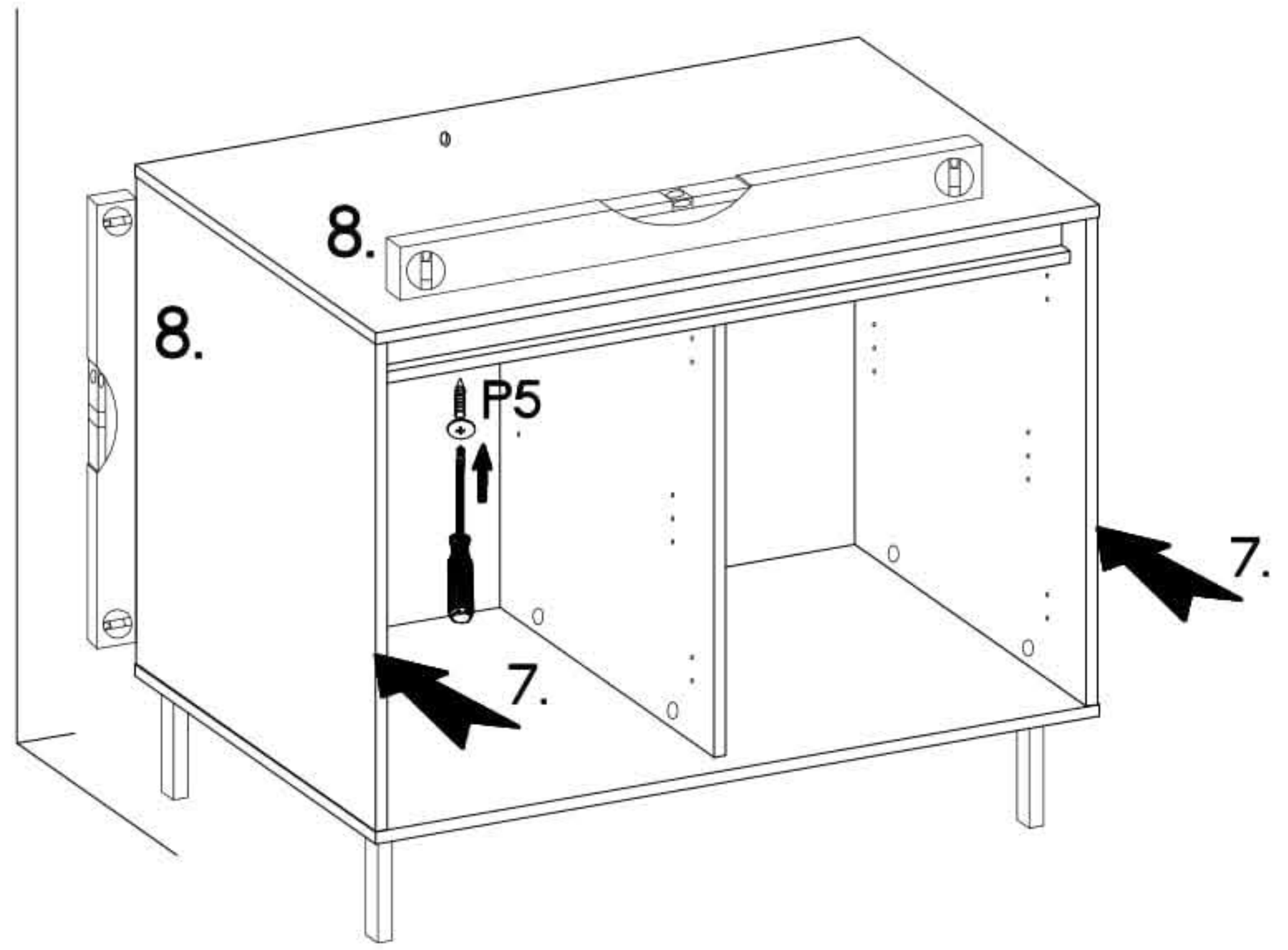
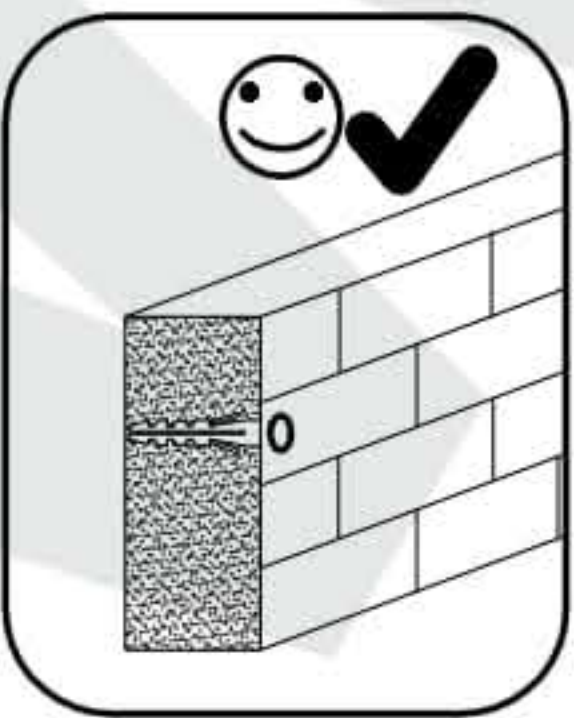
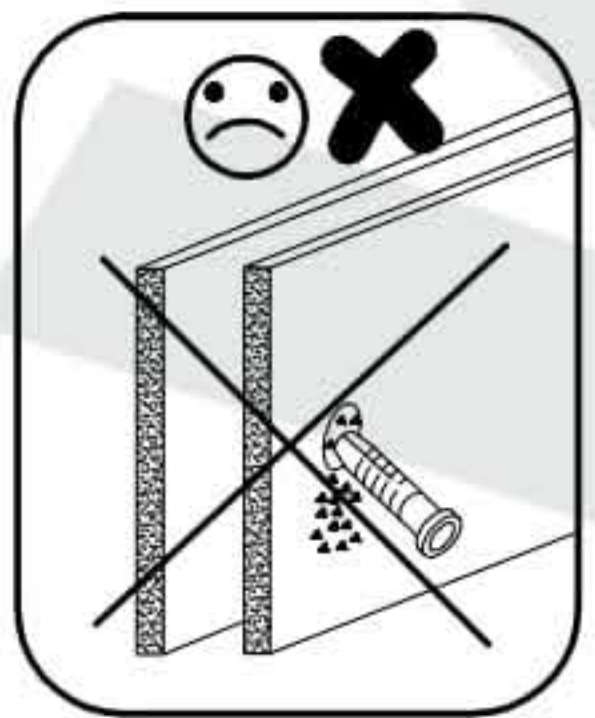
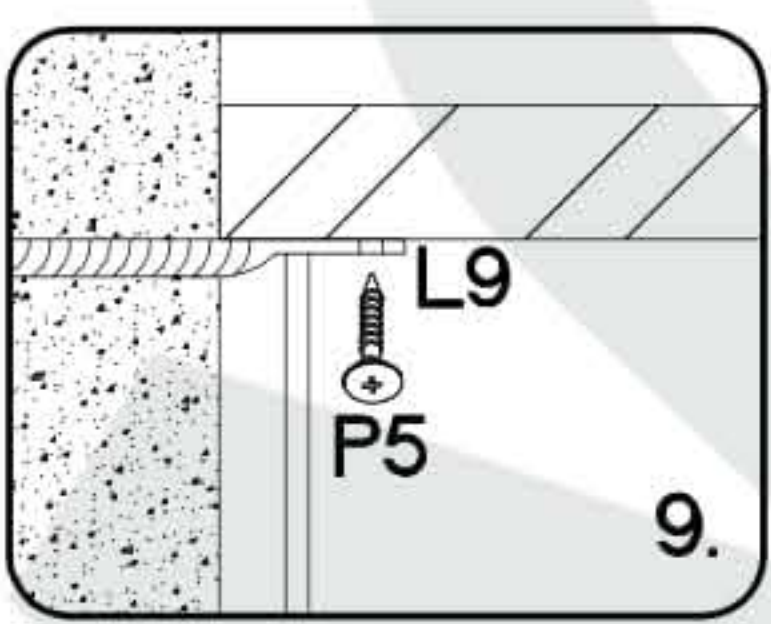
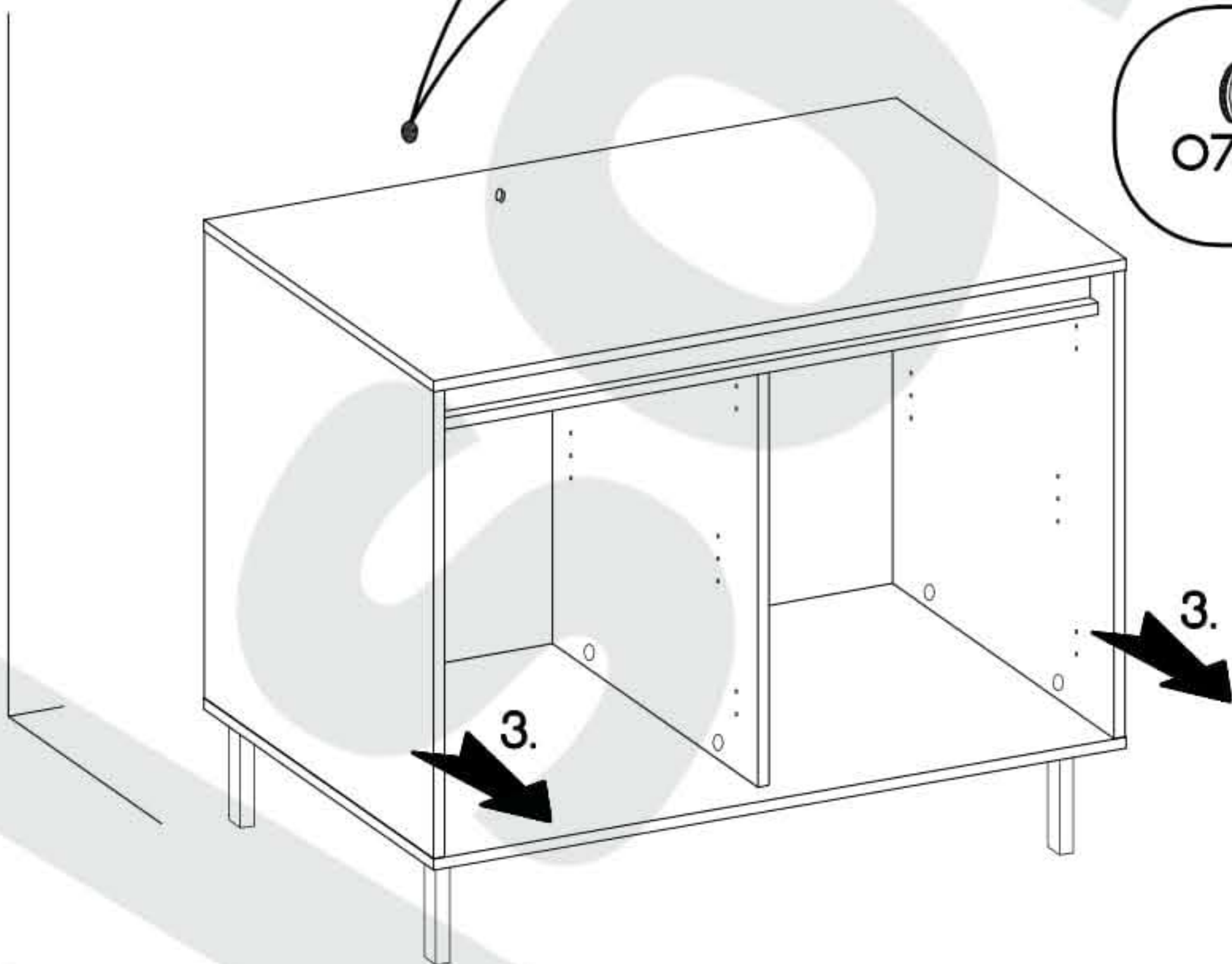
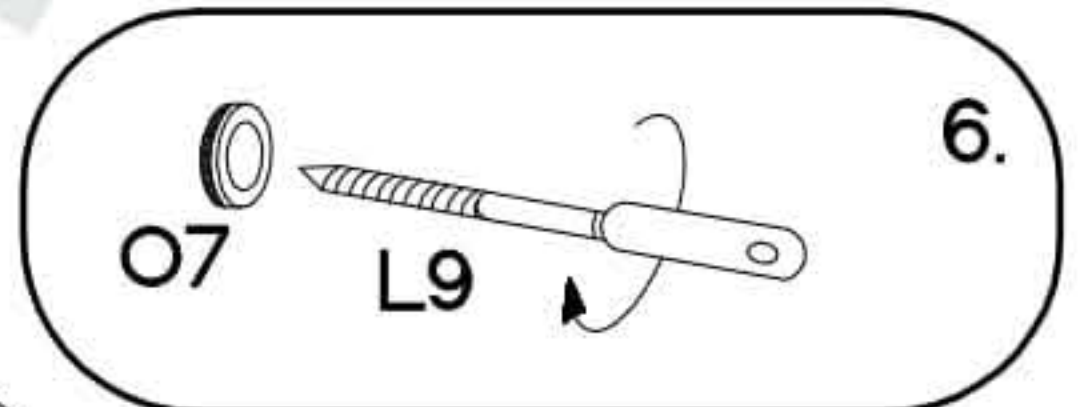
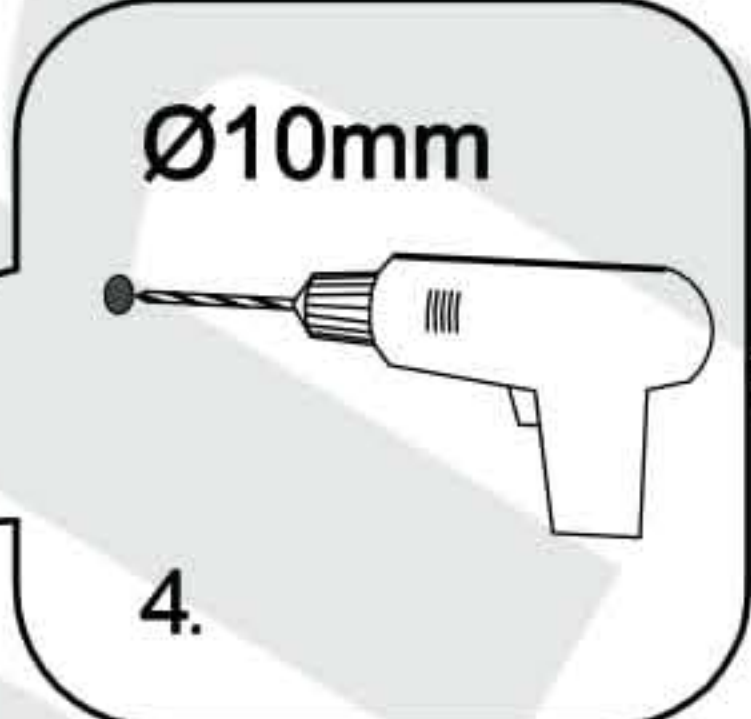
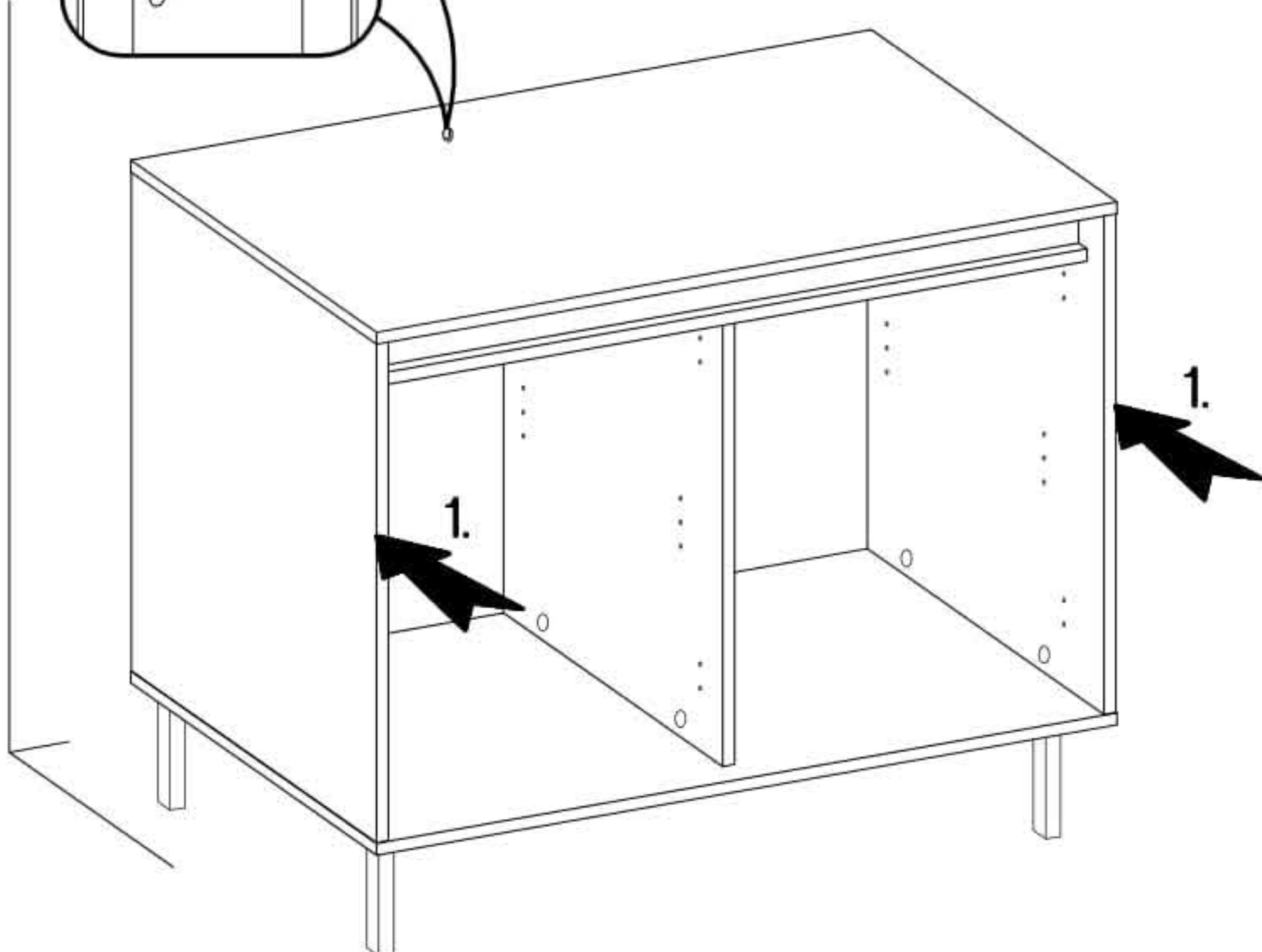
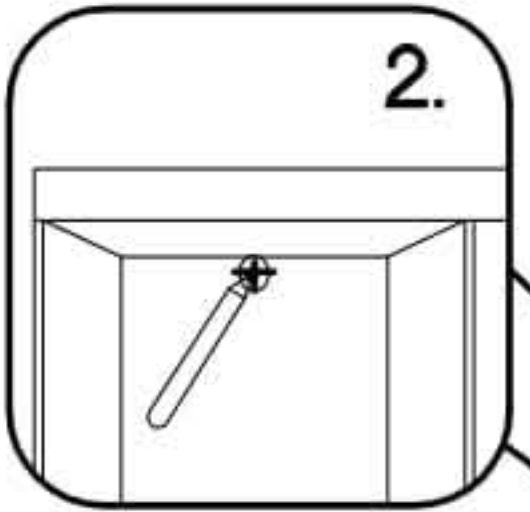


∅3.0x20mm


		
P7	L2	L
5	5	14

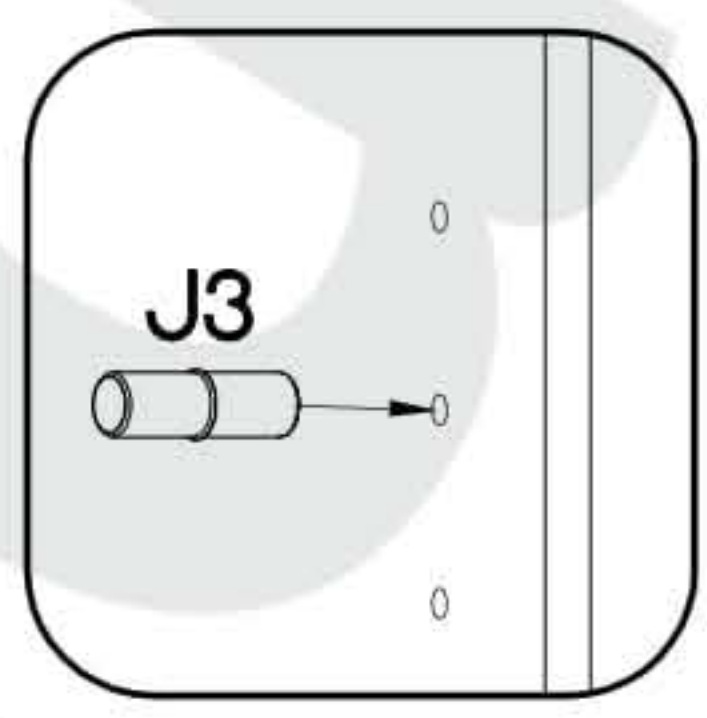
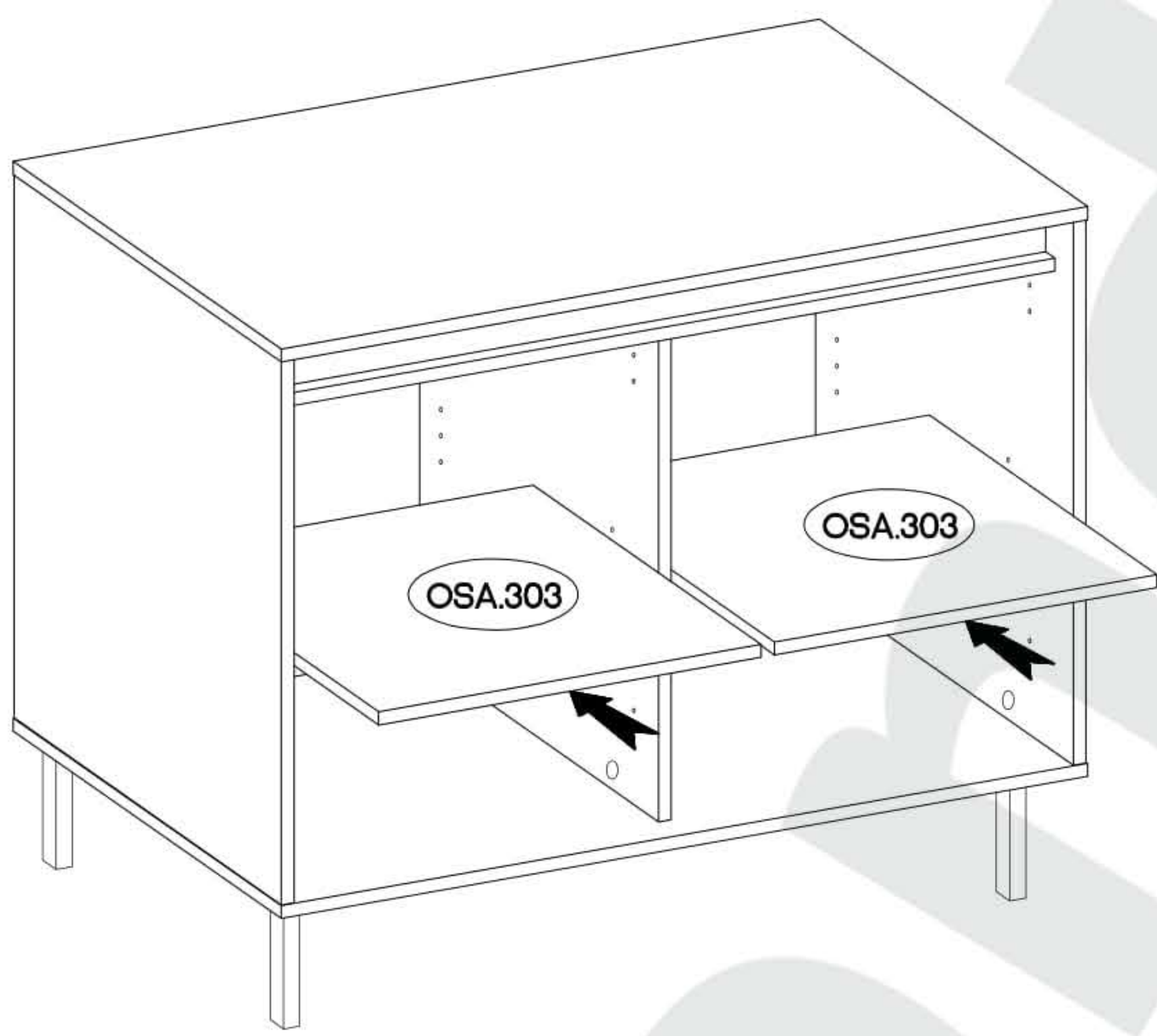


$\varnothing 10 \times 50 \text{mm}$  O7 1	 L9 1	$\varnothing 3.5 \times 13 \text{mm}$  P5 1
---	---	--





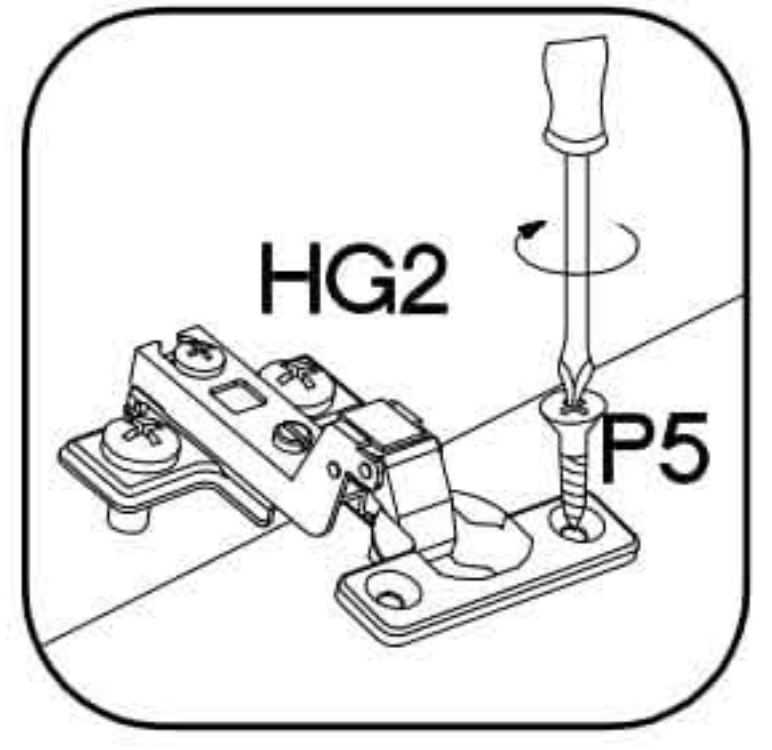
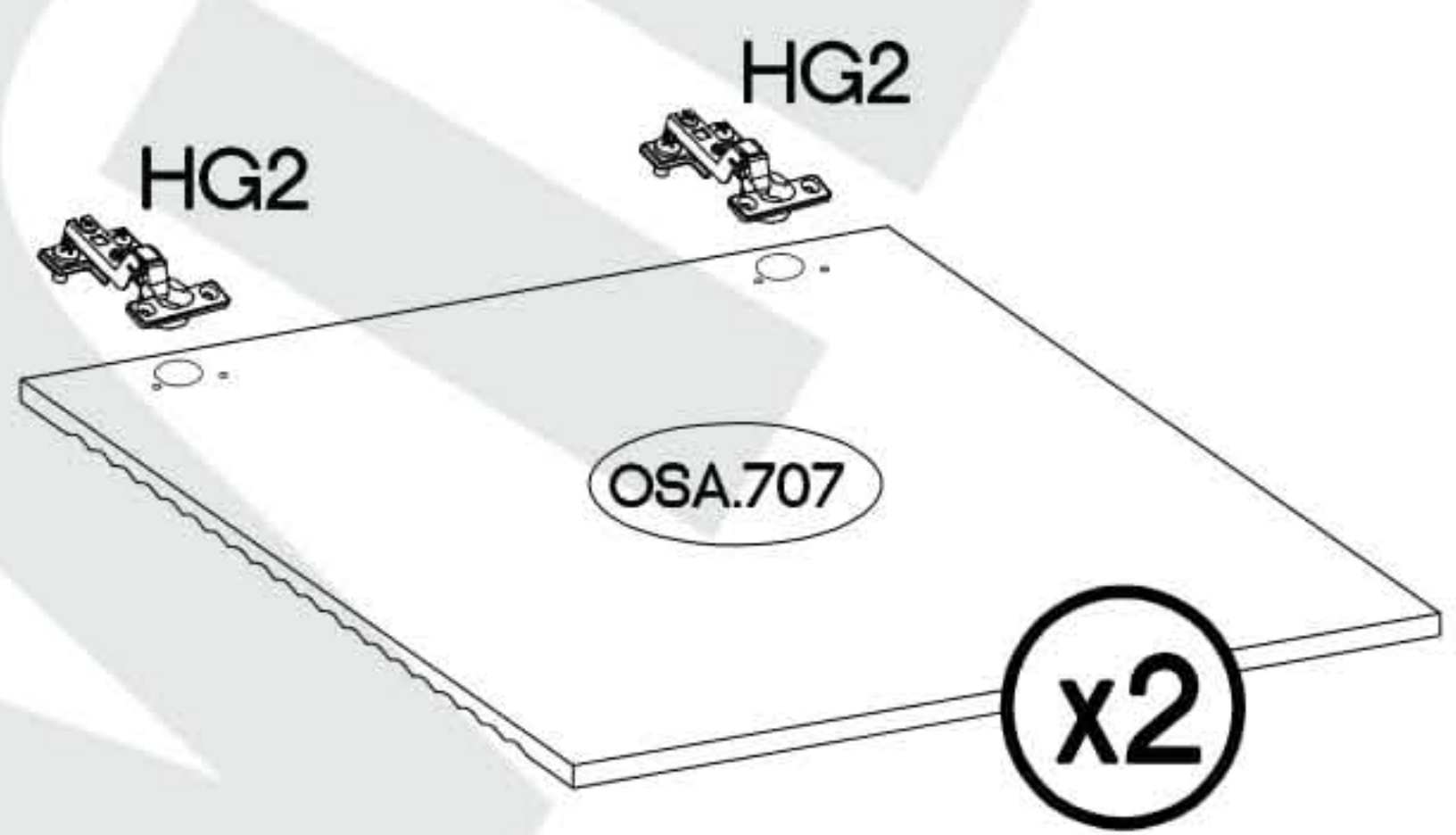
13

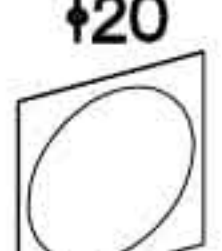

†5/16mm

J3
8



14

†35/16mm	†3.5x13mm
	
HG2	P5
4	8



±20	±7/2mm
	
E11	J5
10	2



J5

