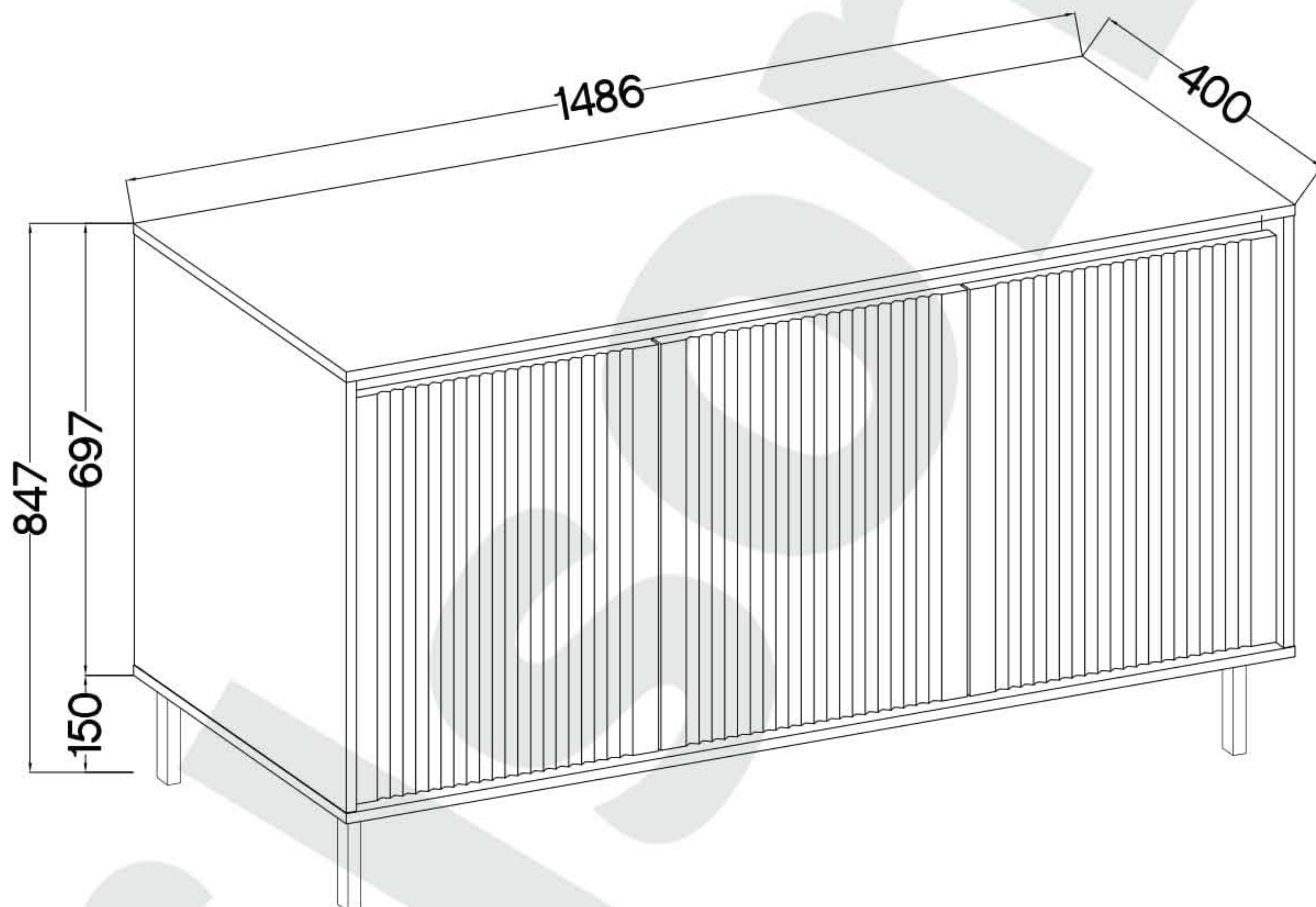


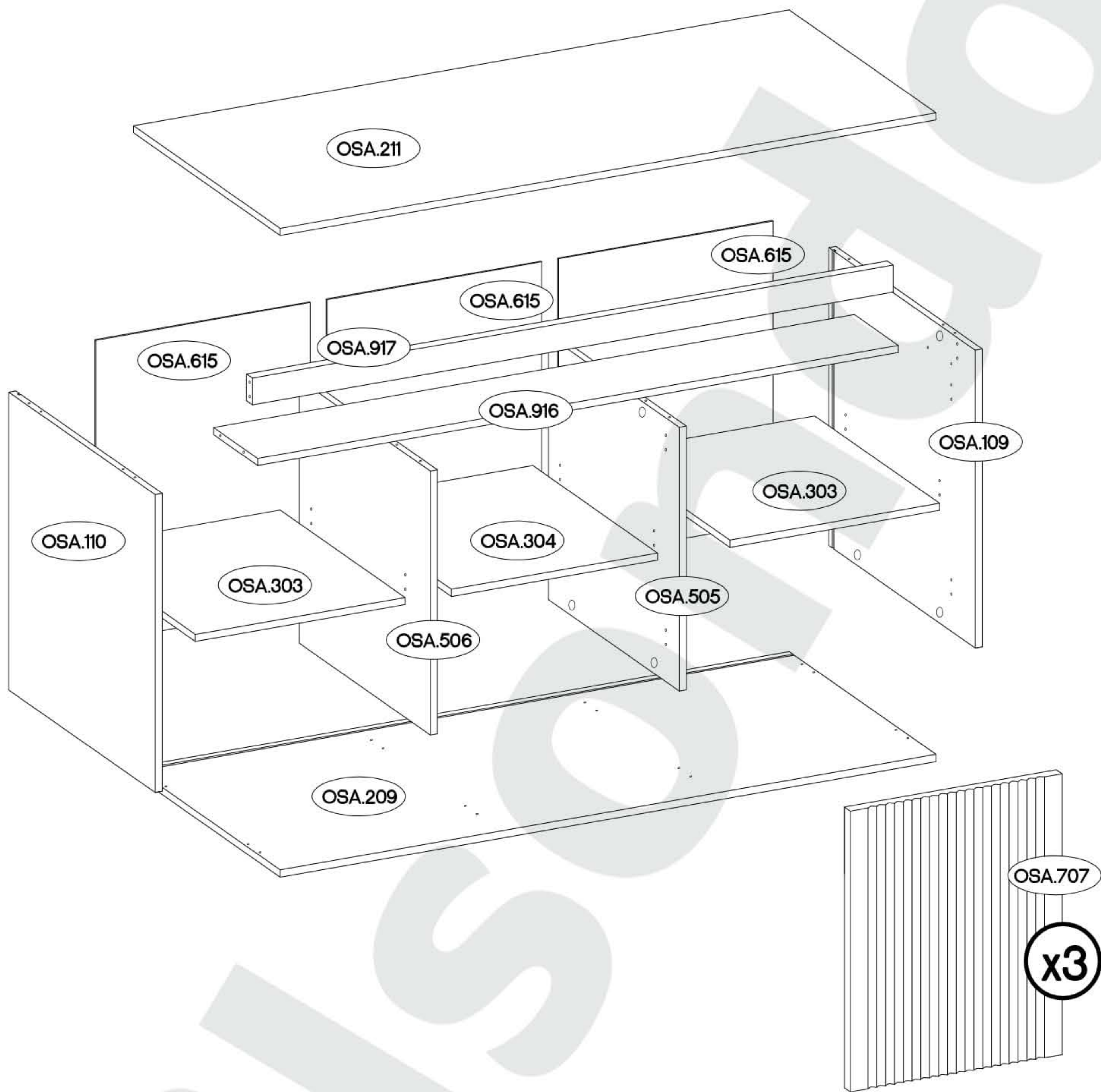
90 min

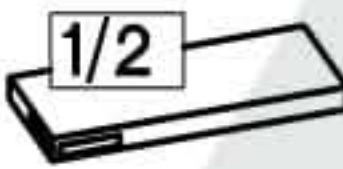

TYP 813

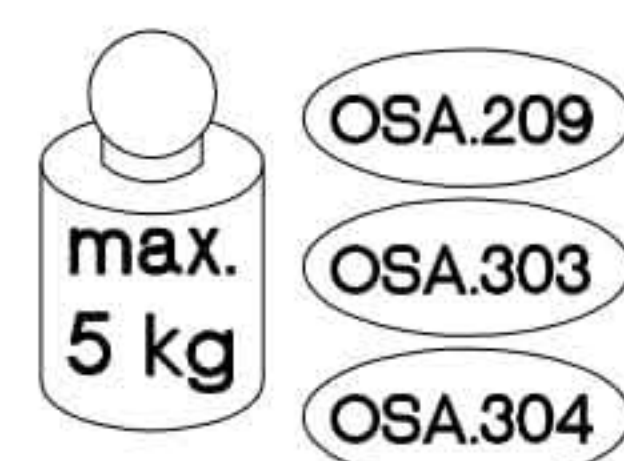


†8x30mm  A 20	†15/12mm  C 16	L=20mm  D2 16	†20  E1 14	L=150mm  F34 5	†35/9mm  HG1 2	†35/16mm  HG2 4					
†5/16mm  J3 12	†7/2mm  J5 3	 L 18	 L2 10	 L9 1	†10x50mm  O7 1	†4.0x16mm  P1 8	†3.5x13mm  P5 13	†3.0x20mm  P7 10	†4.0x16mm  R11 15	 T3 4	

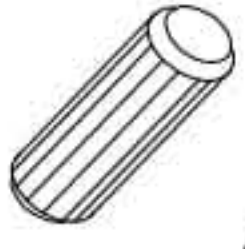


ISM-OSA-010

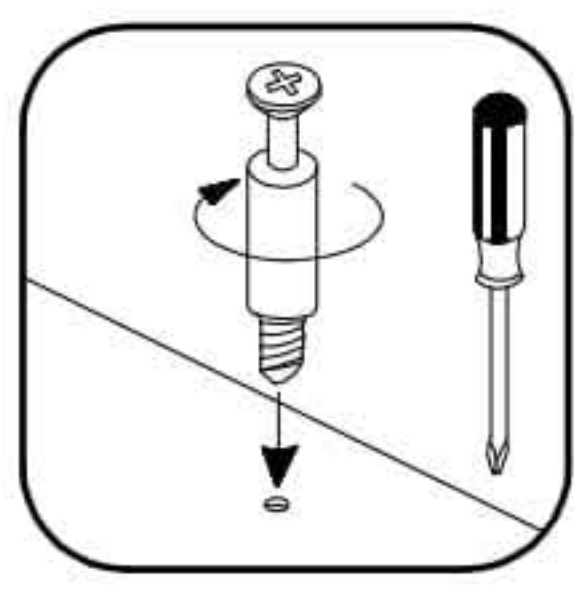
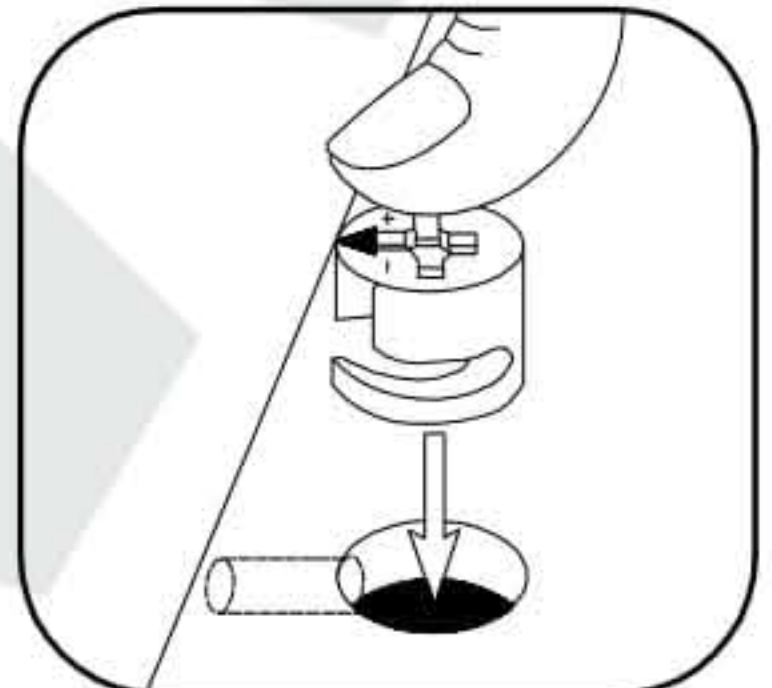
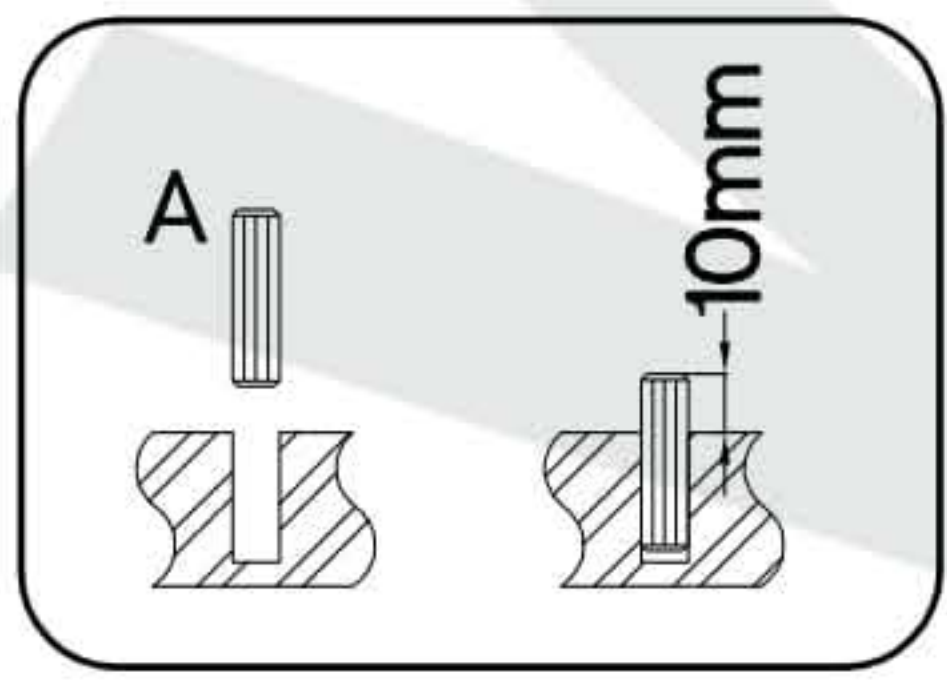
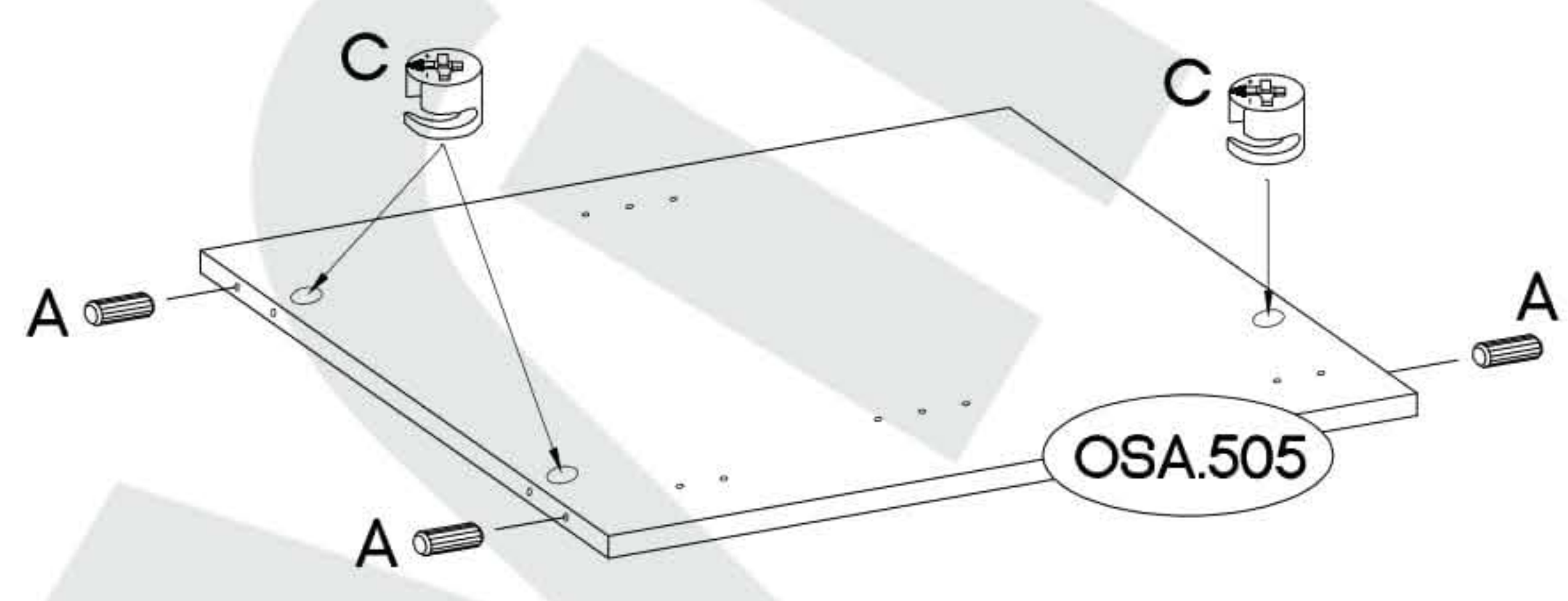
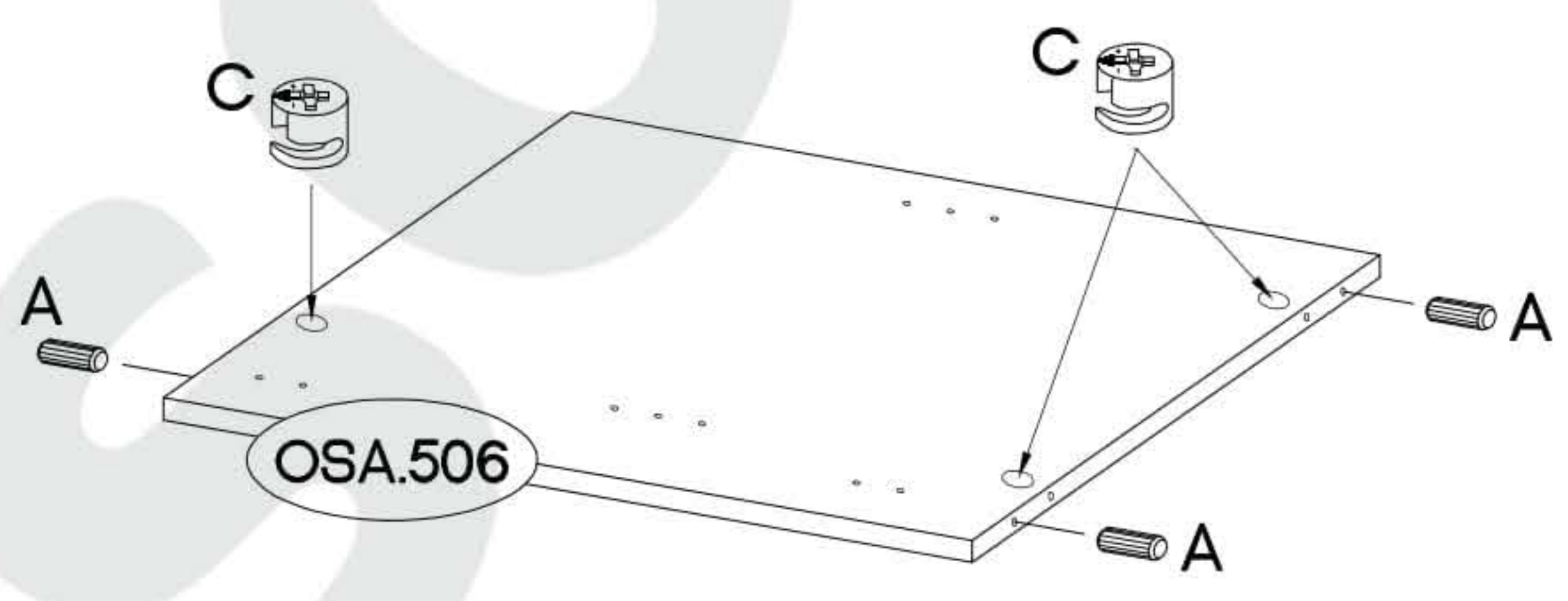
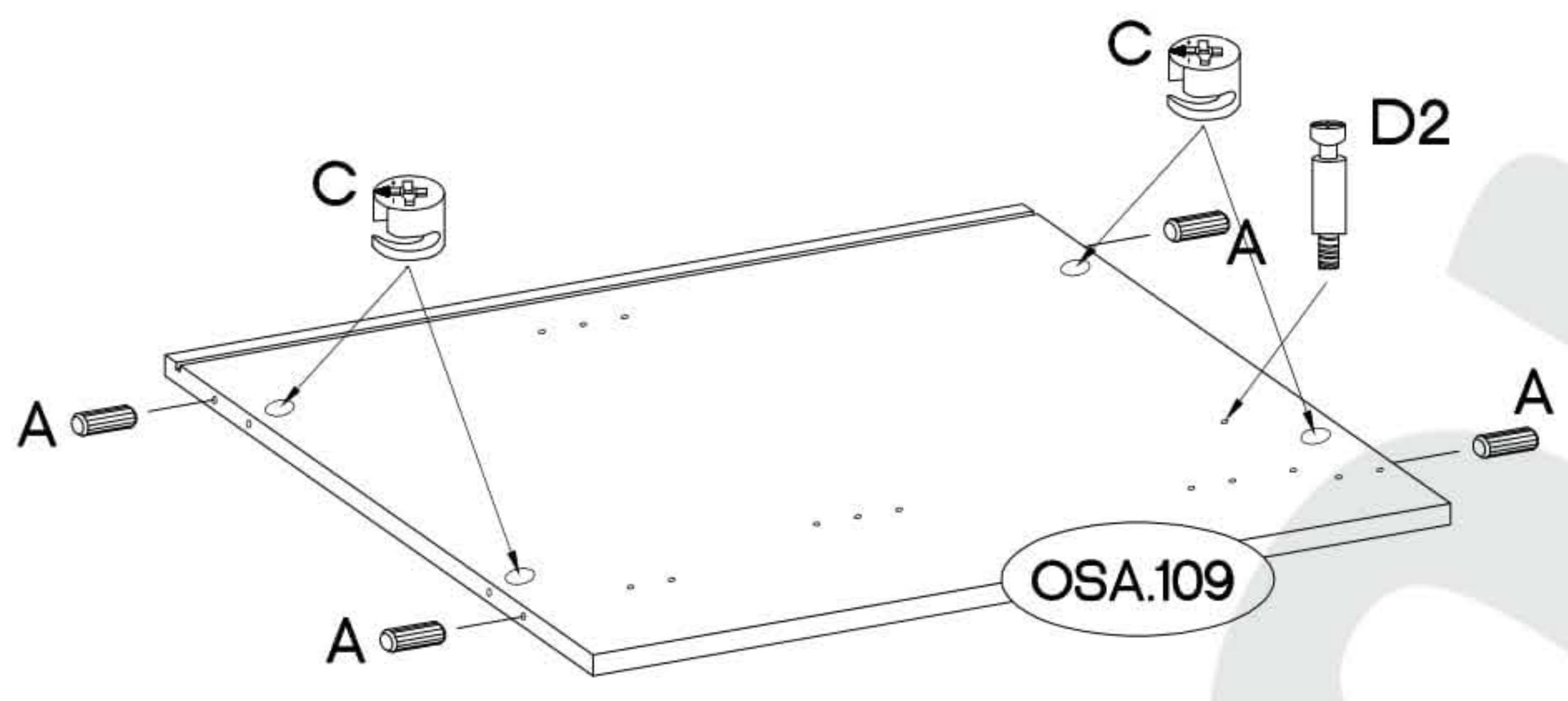
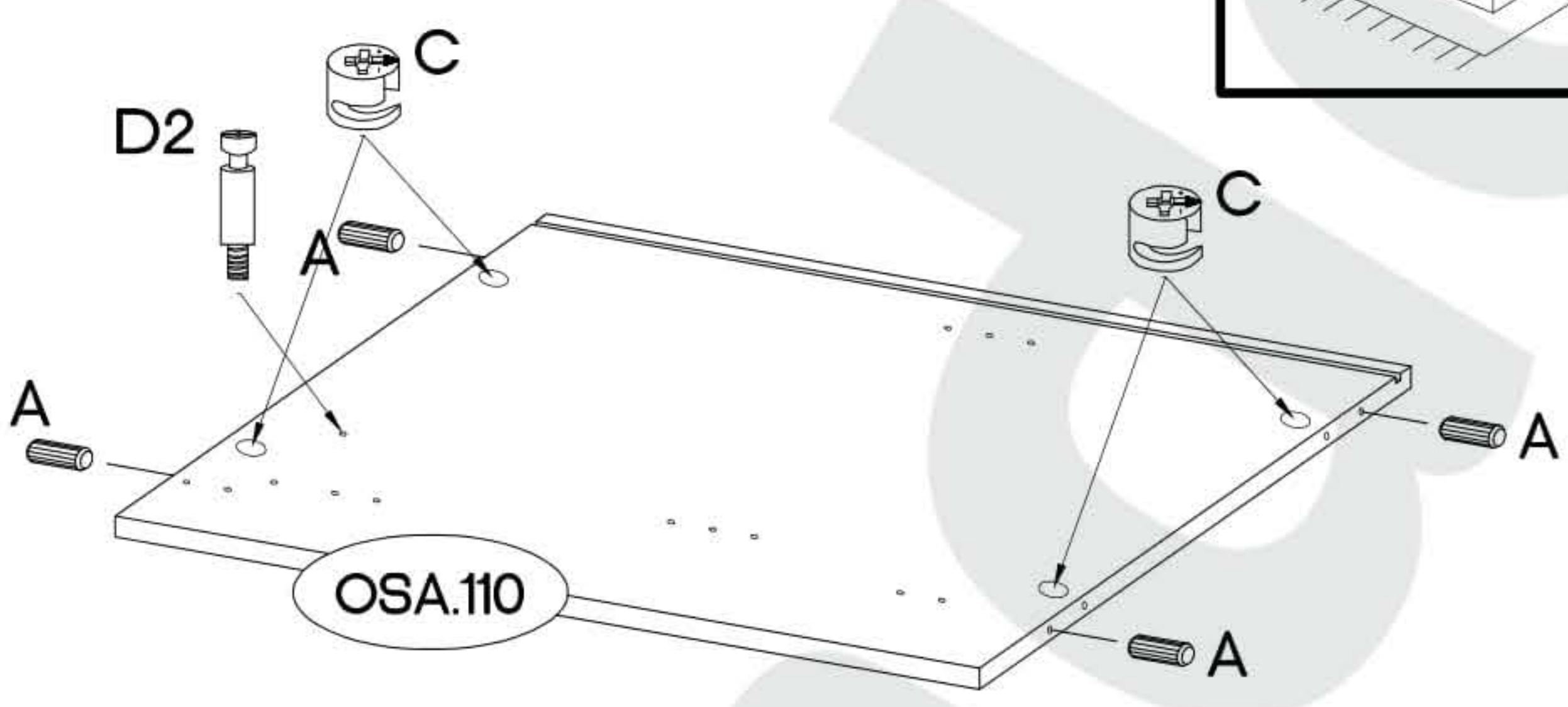
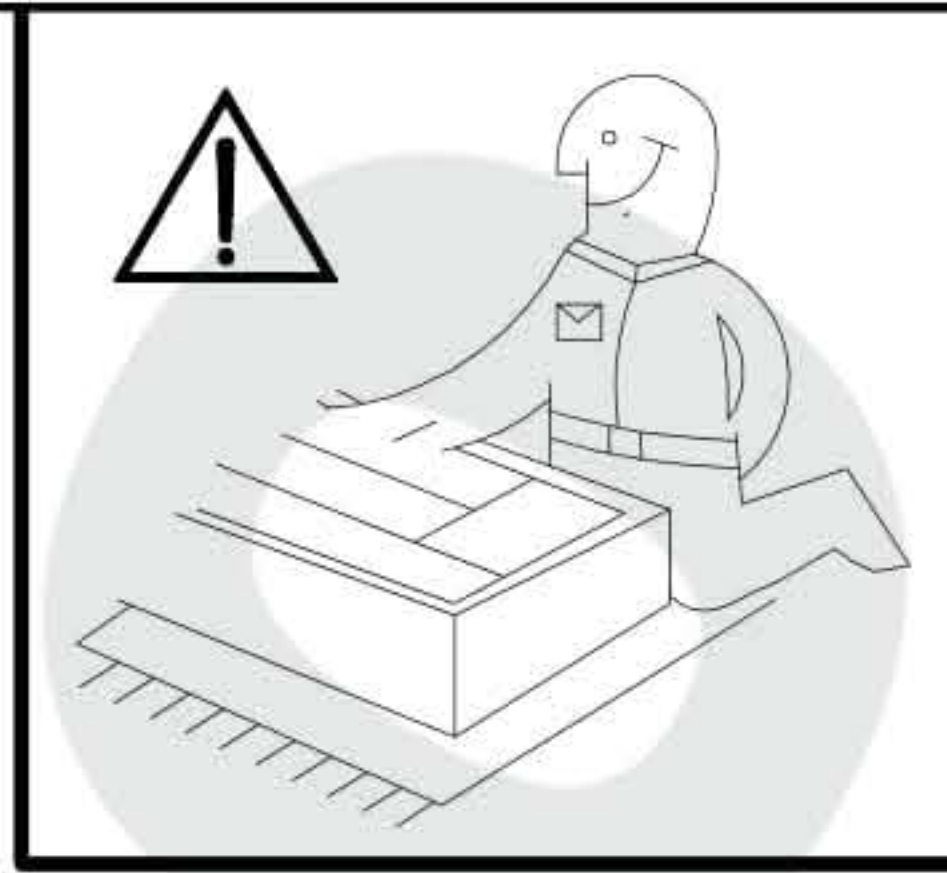


	Ersatzteil Nummer	Dimension
	OSA.109	665x399x16
	OSA.110	665x399x16
	OSA.505	589x357x16
	OSA.506	589x357x16
	OSA.615 x3	674x486x2,5
	OSA.707 x3	627x480x16
	OSA.209	1486x400x16
	OSA.211	1486x400x16
	OSA.916	1452x120x16
	OSA.917	1452x60x16
	OSA.303 x2	475x340x16
	OSA.304	467x340x16

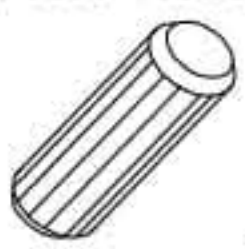






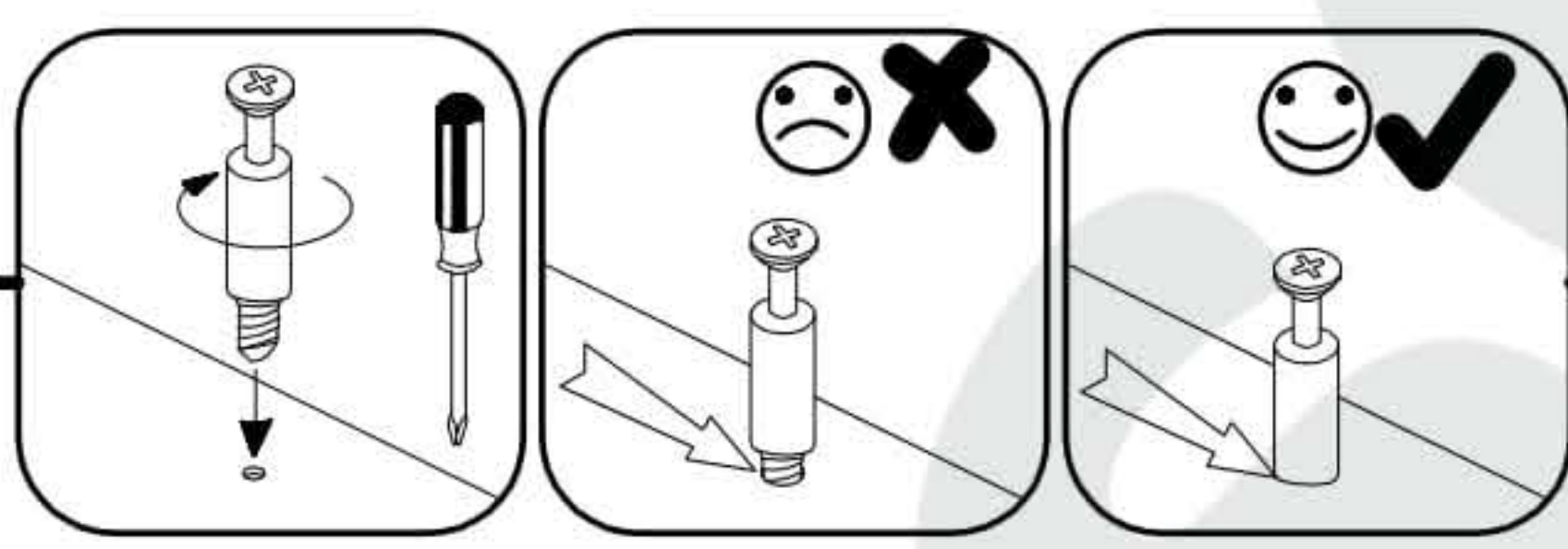
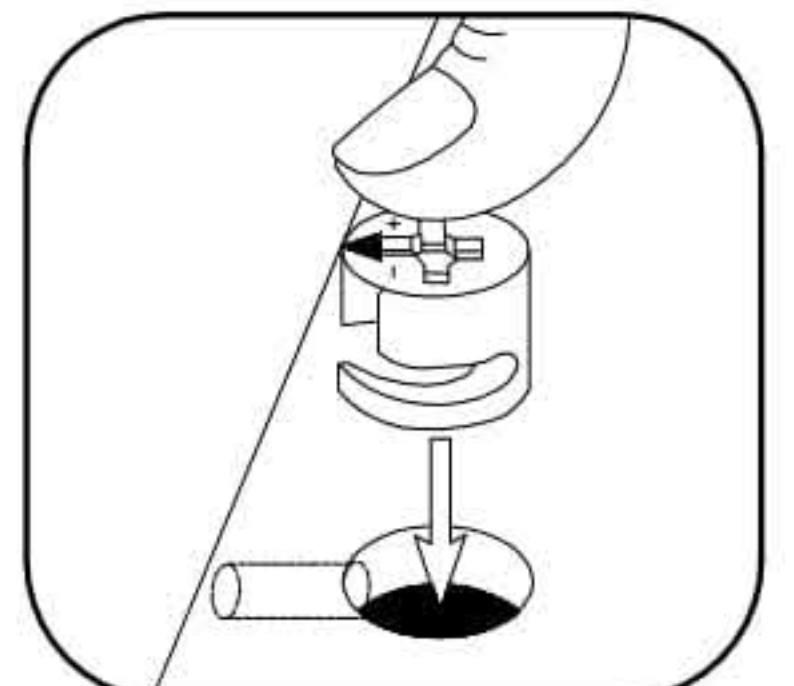
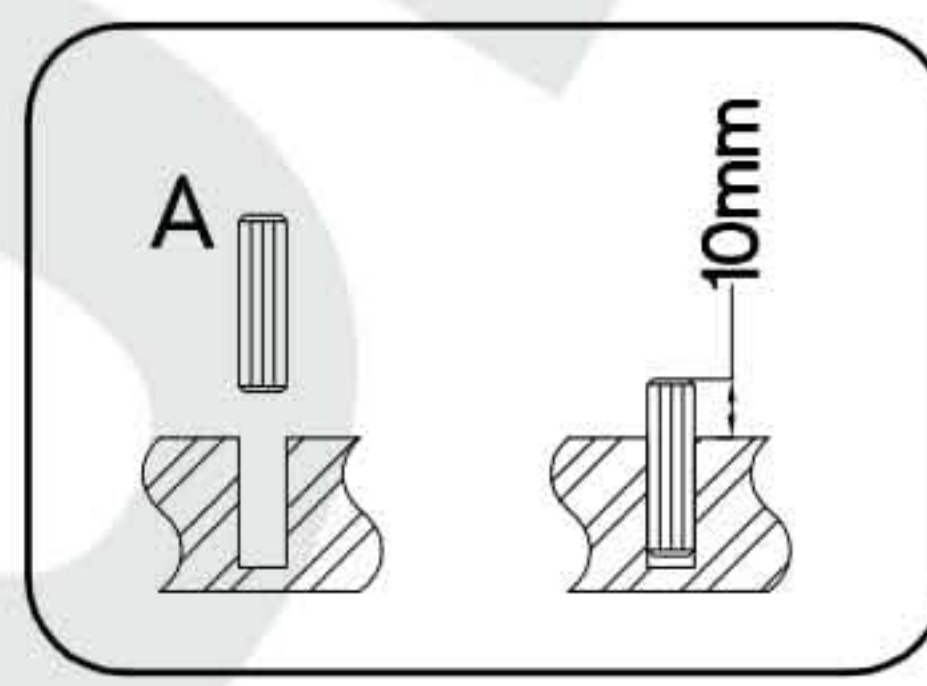
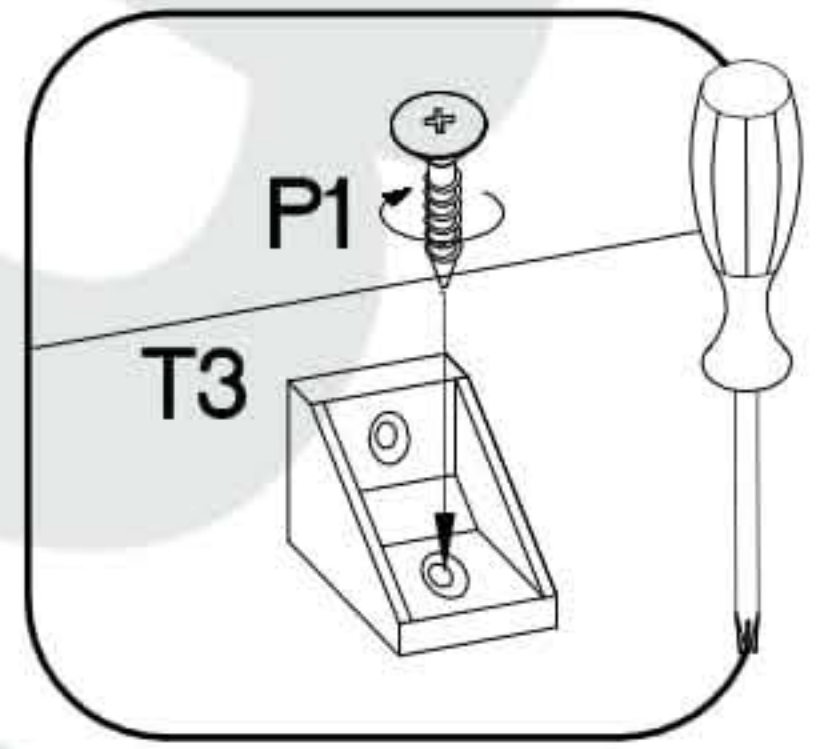
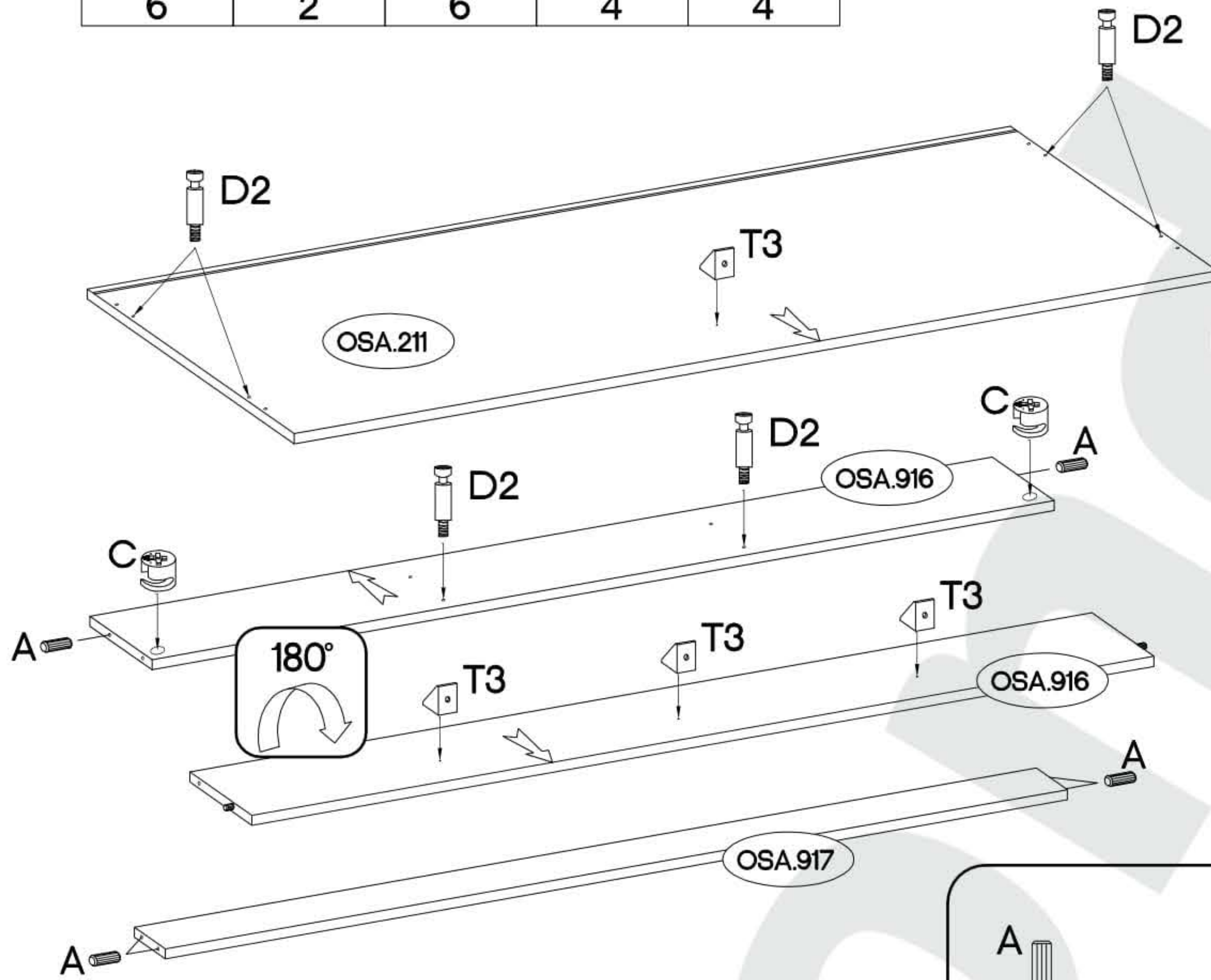
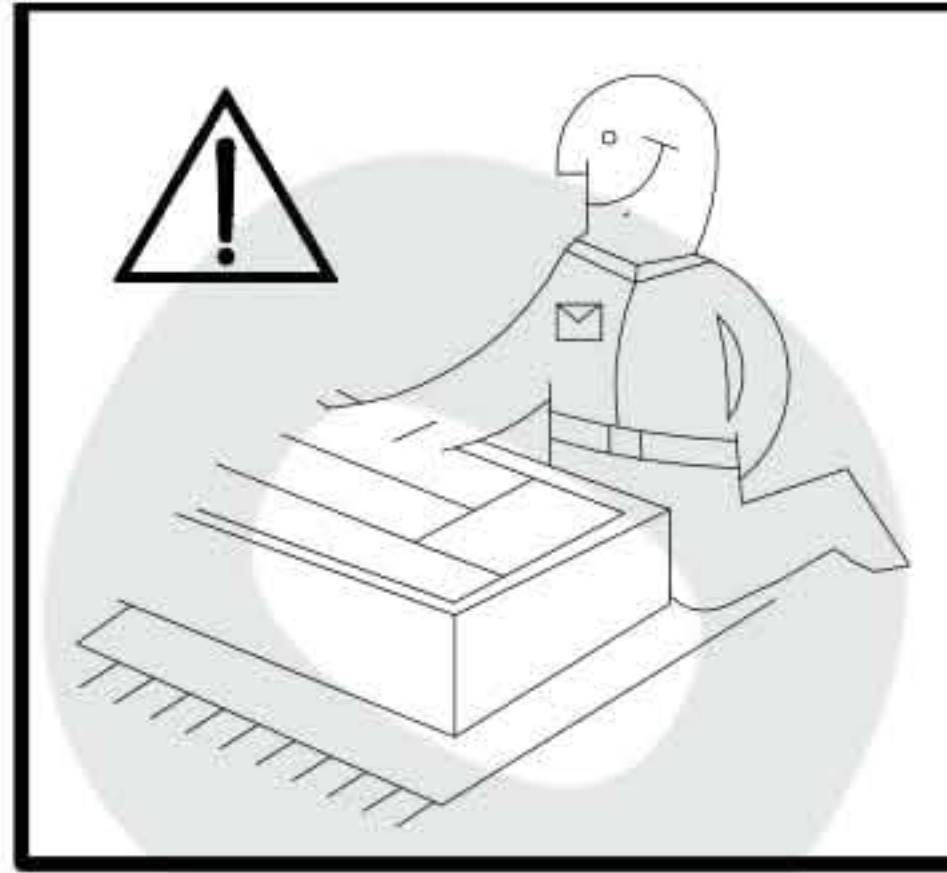
1

∅8x30mm 	∅15/12mm 	L=20mm 
A	C	D2
14	14	2

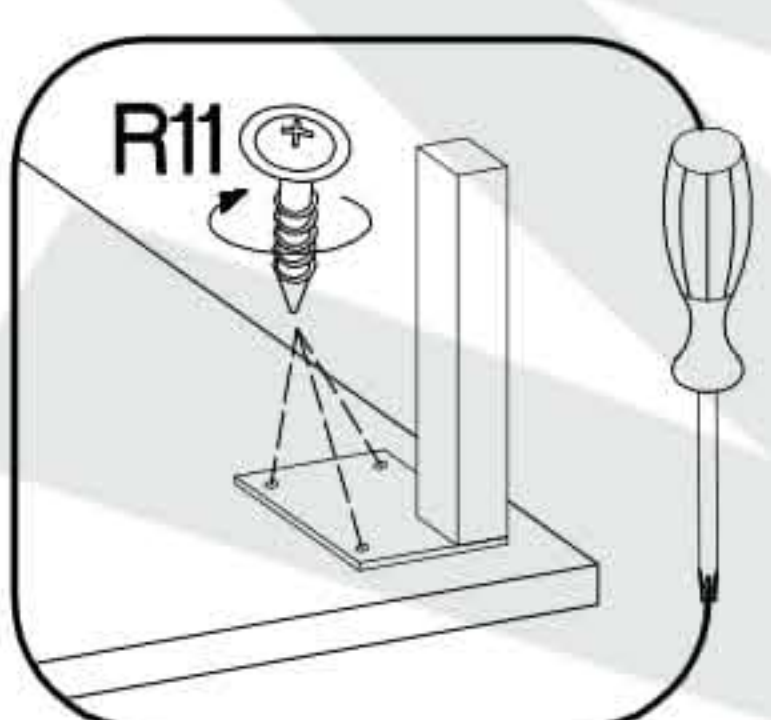
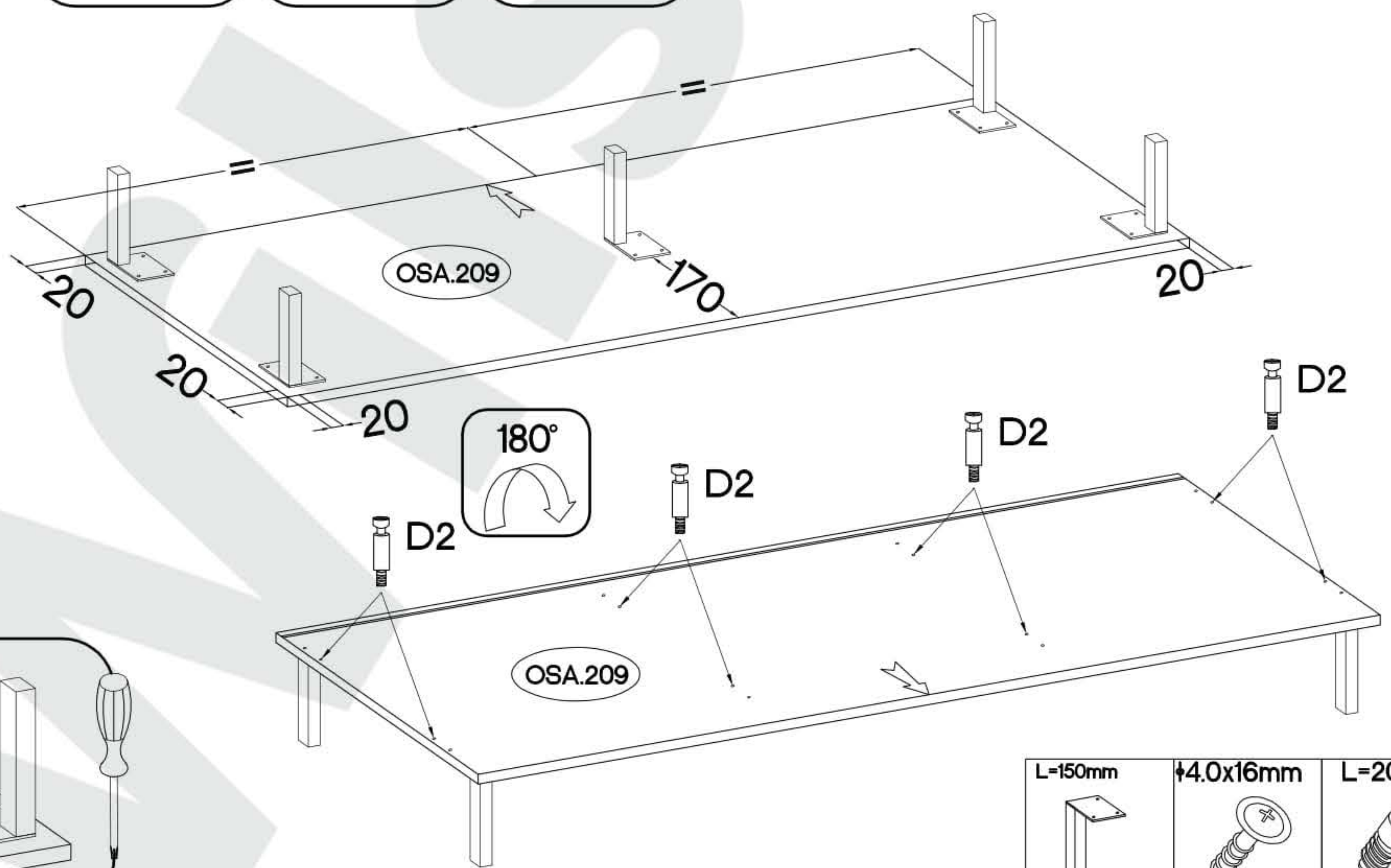





# 2

†8x30mm 	†15/12mm 	L=20mm 		†4.0x16mm 
A	C	D2	T3	P1
6	2	6	4	4

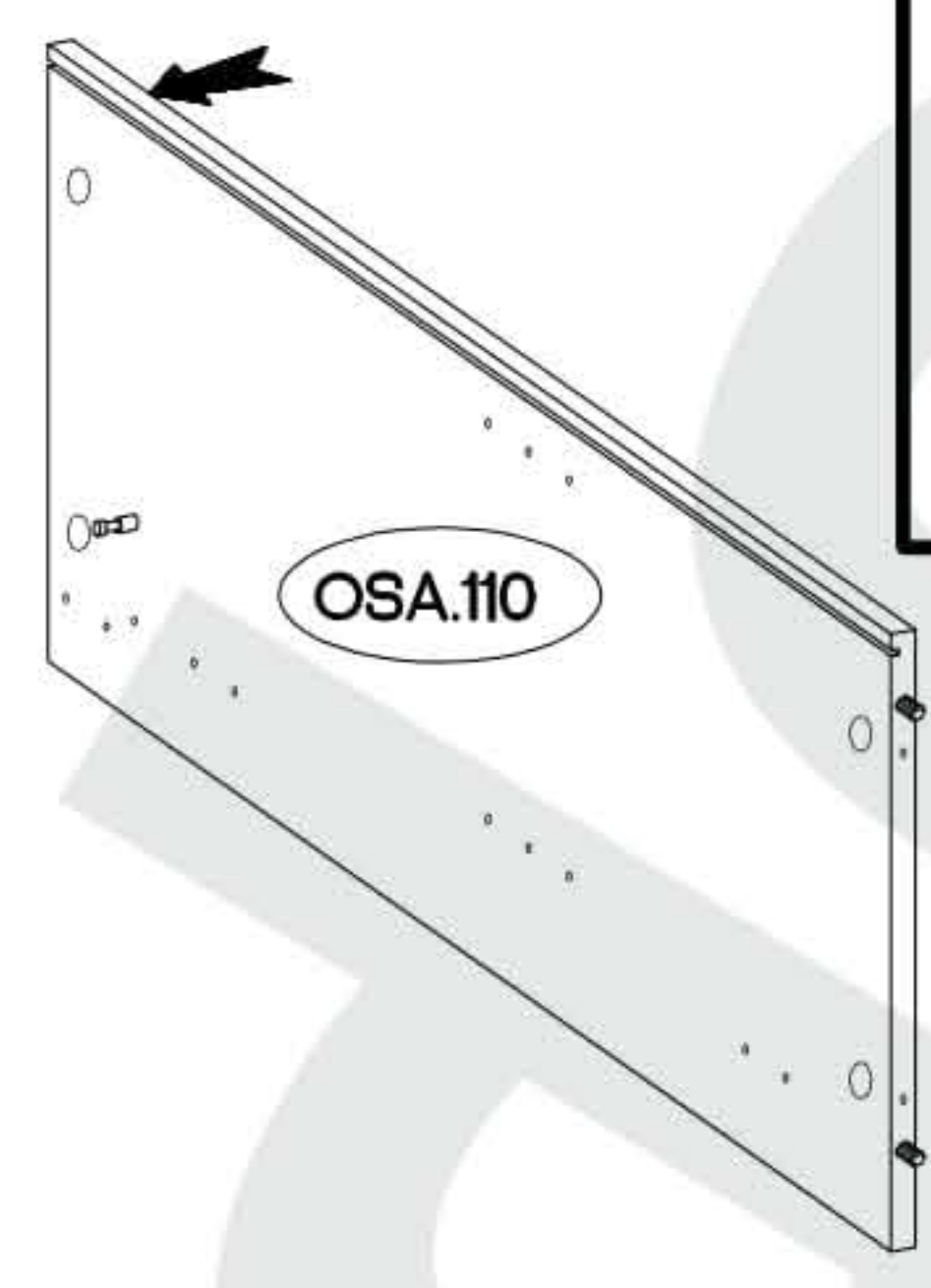
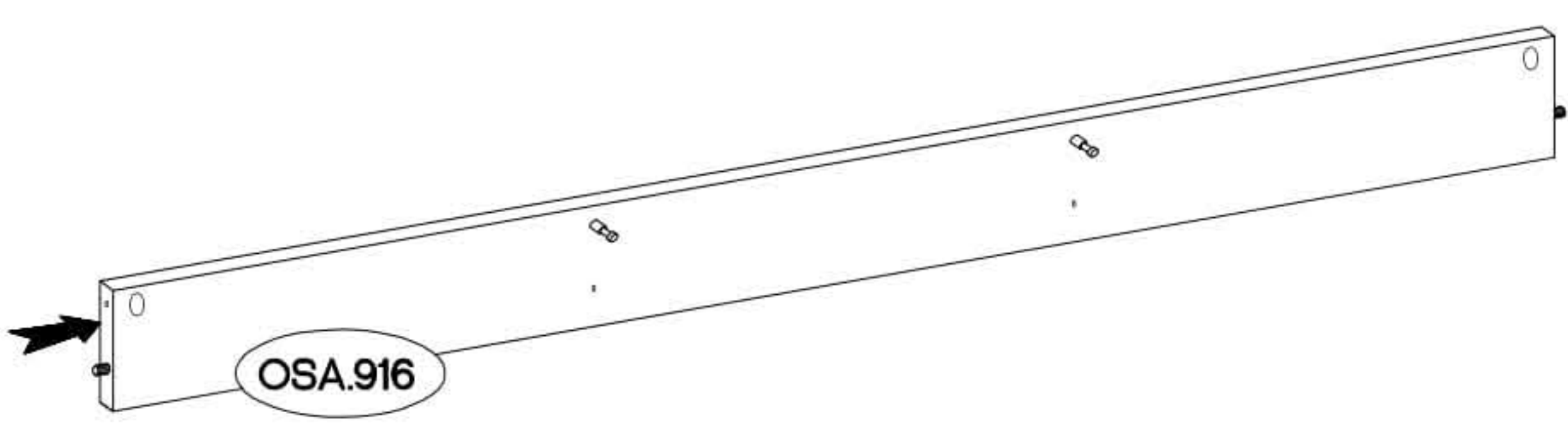


# 3

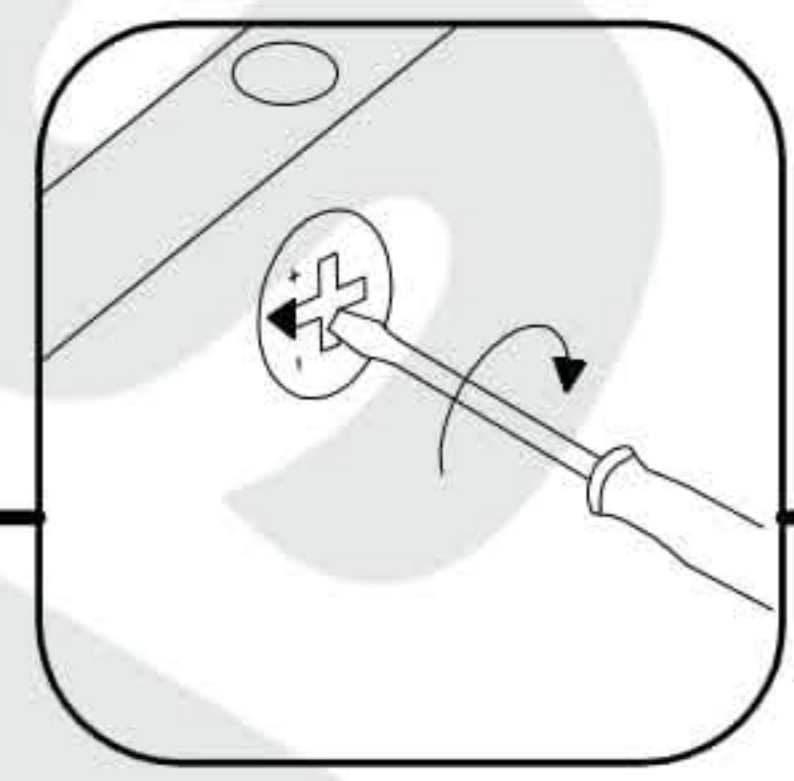
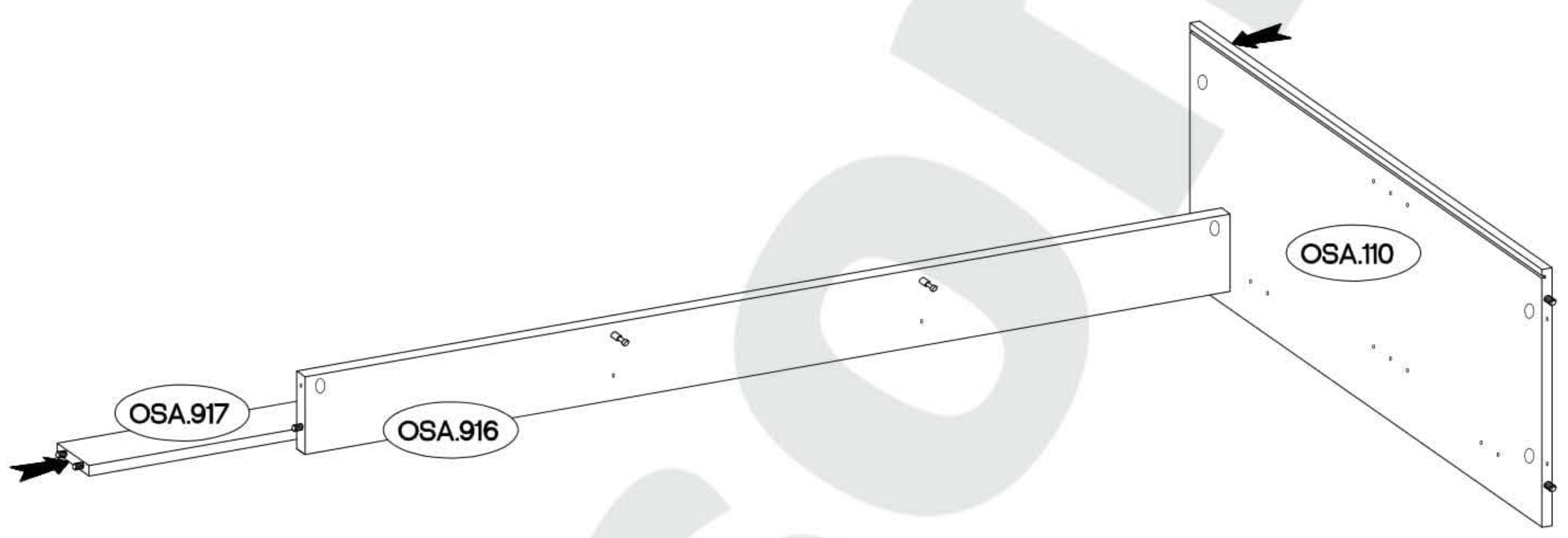
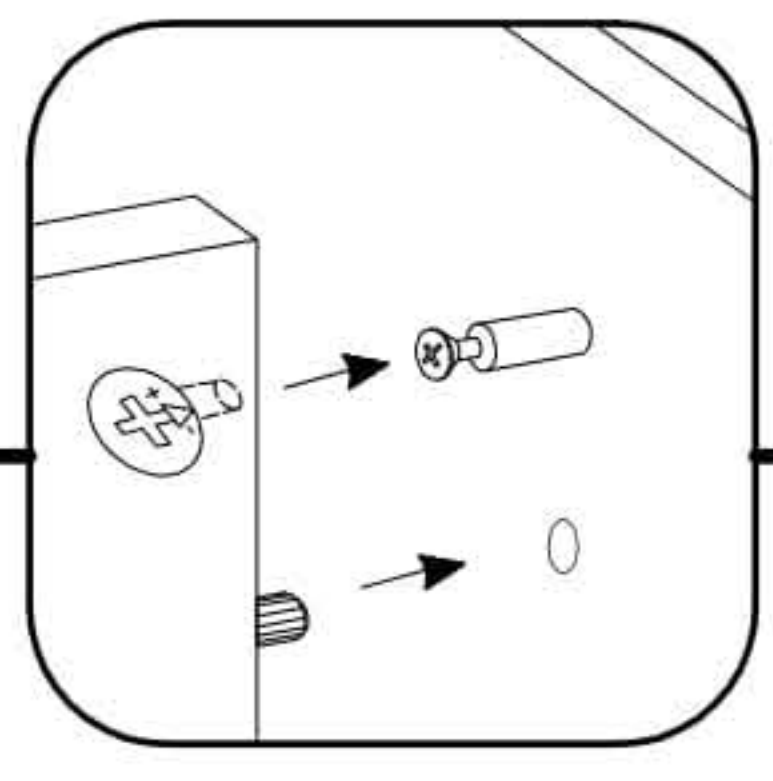


L=150mm 	†4.0x16mm 	L=20mm 
F34	R11	D2
5	15	8

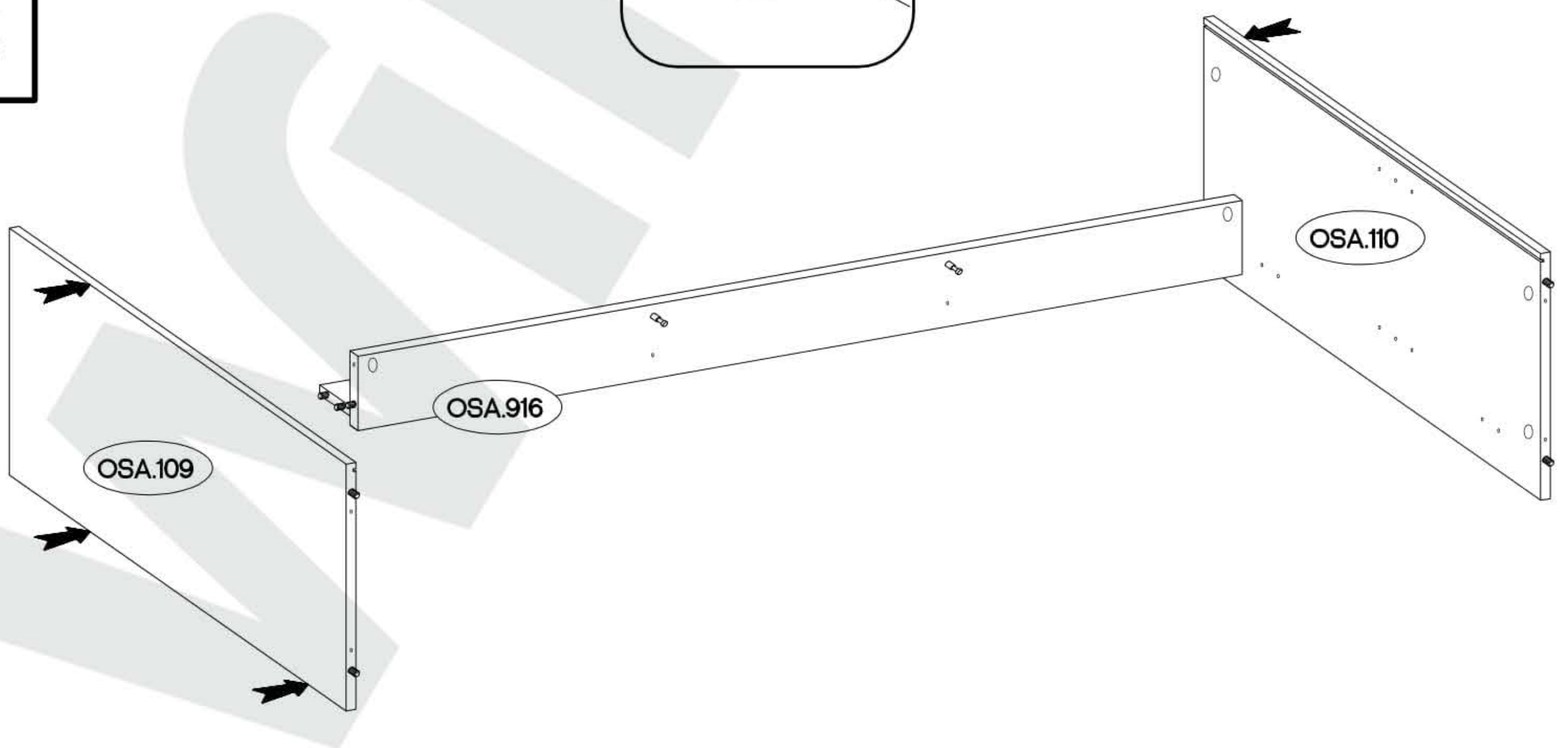
4



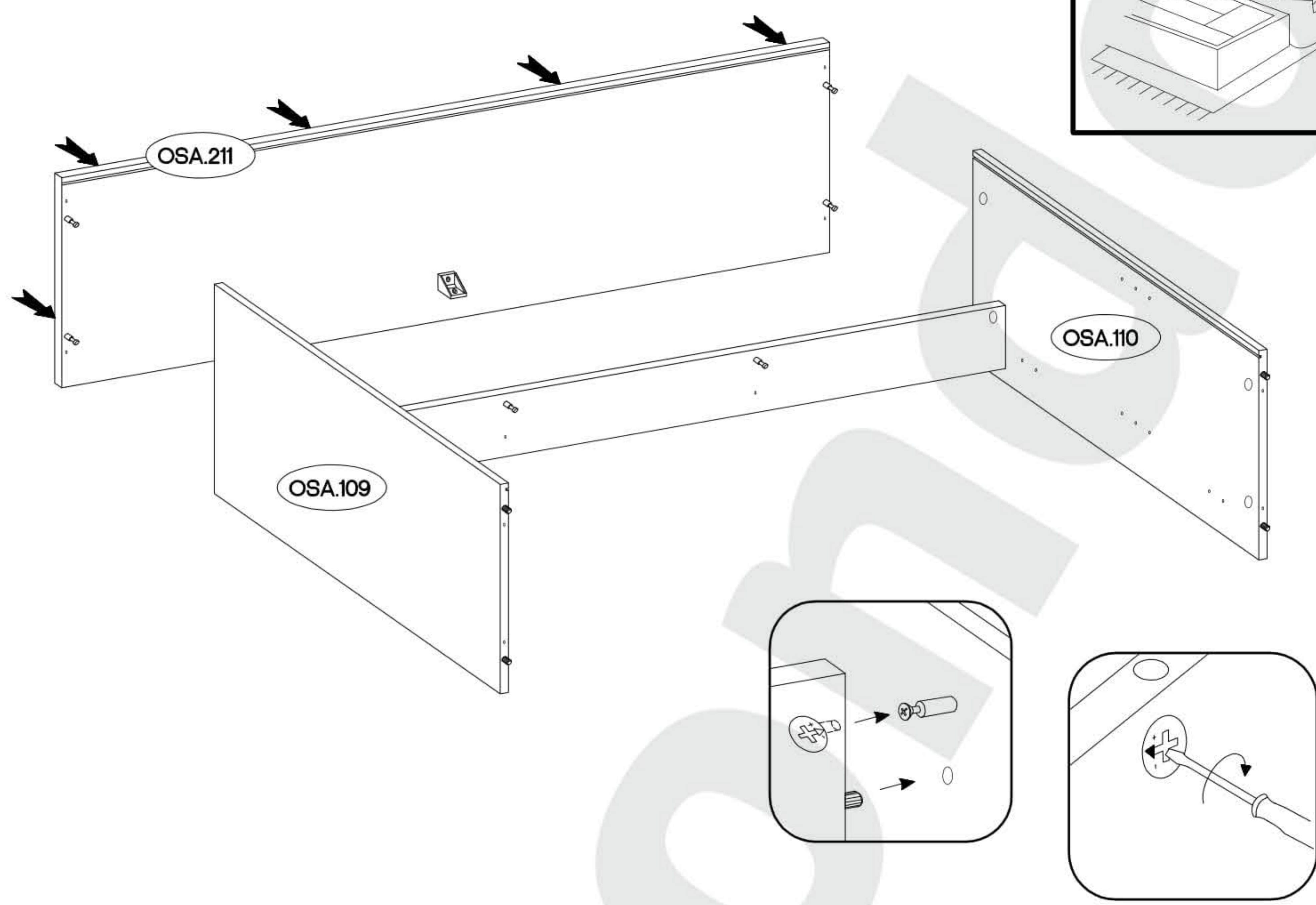
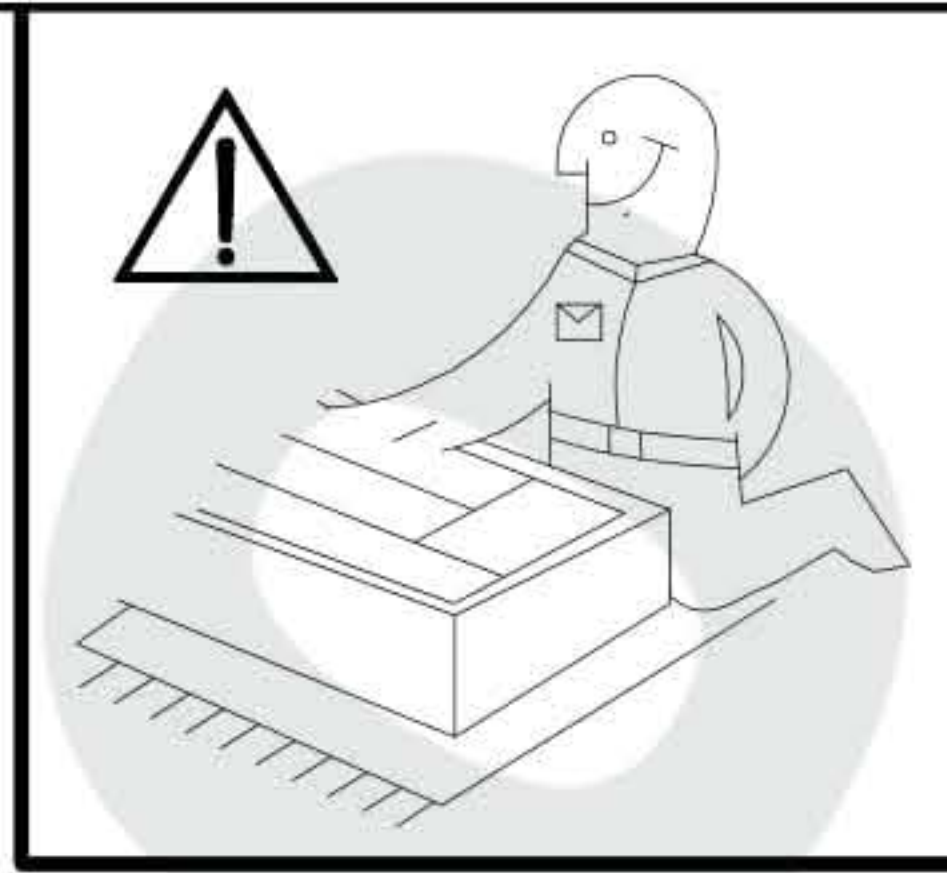
5



6



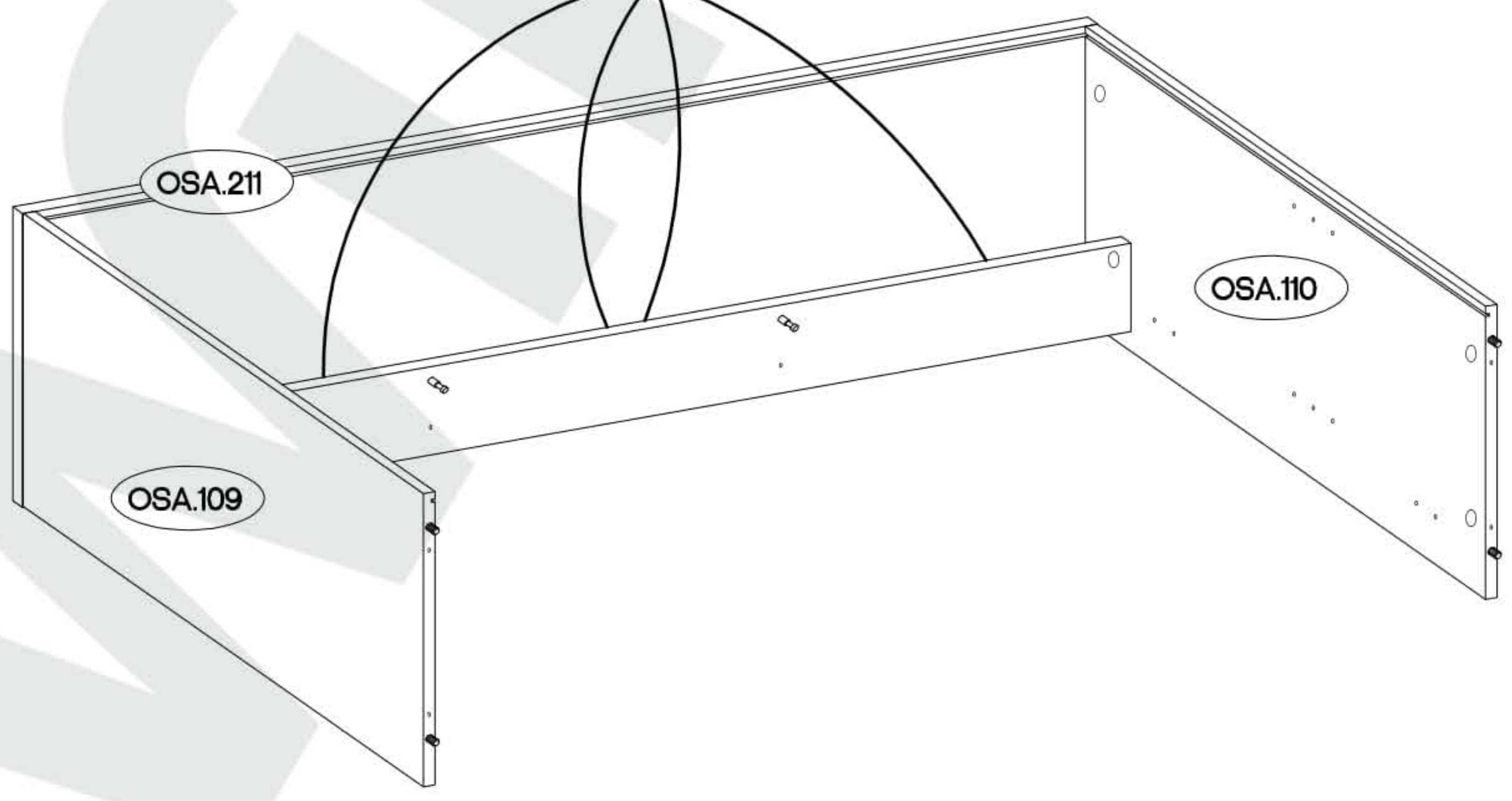
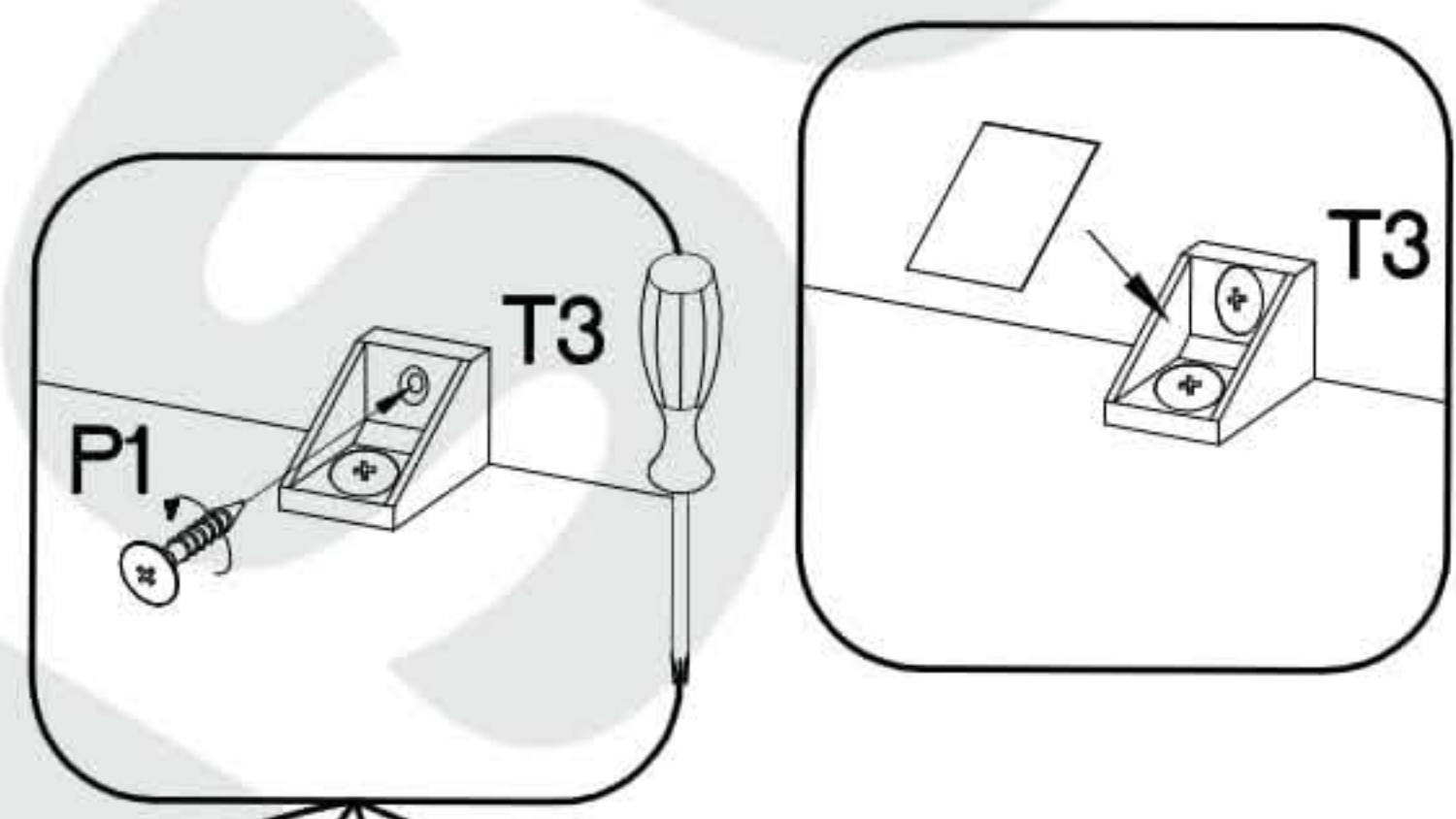
7



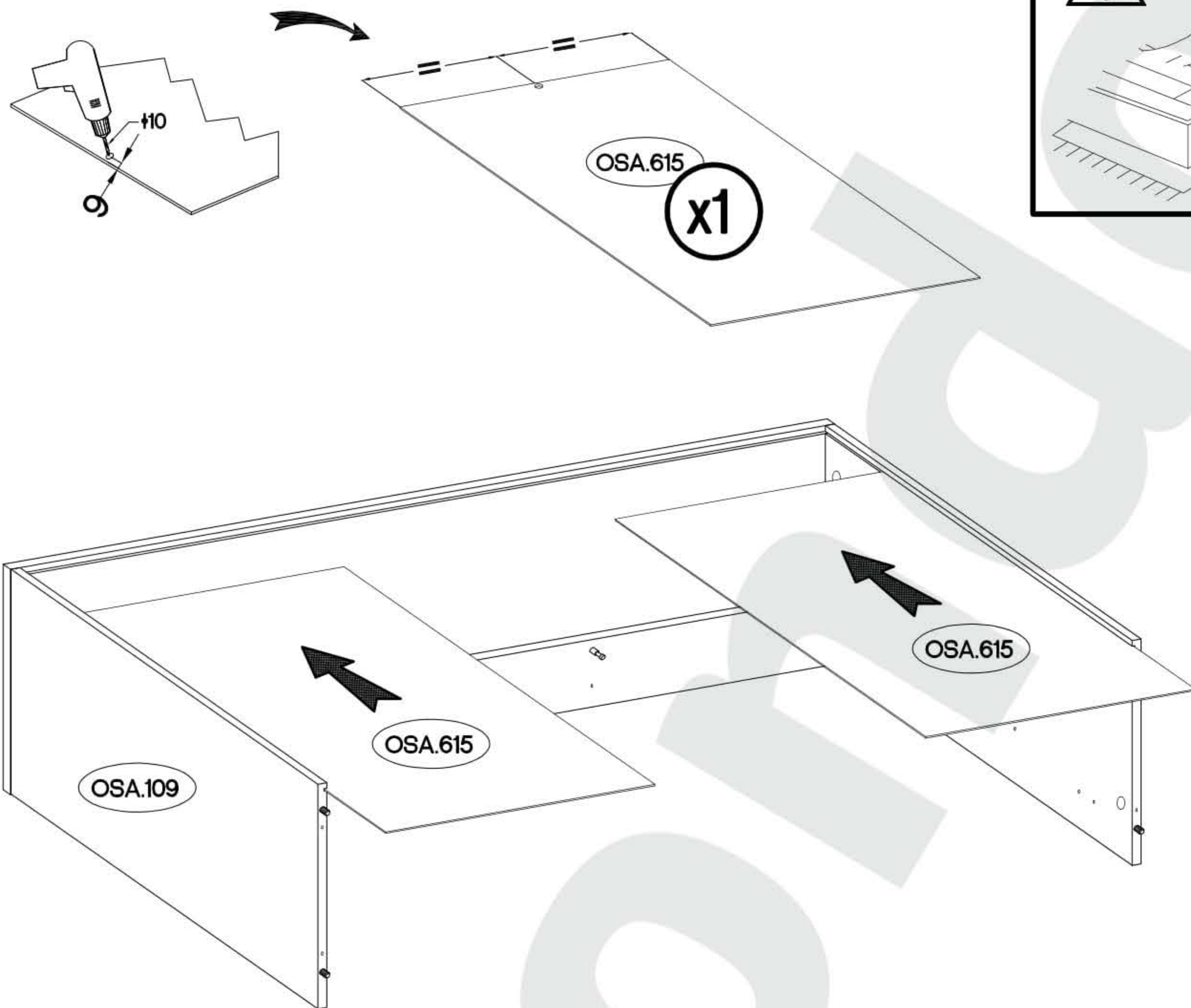
8

4.0x16mm  
P1  
4

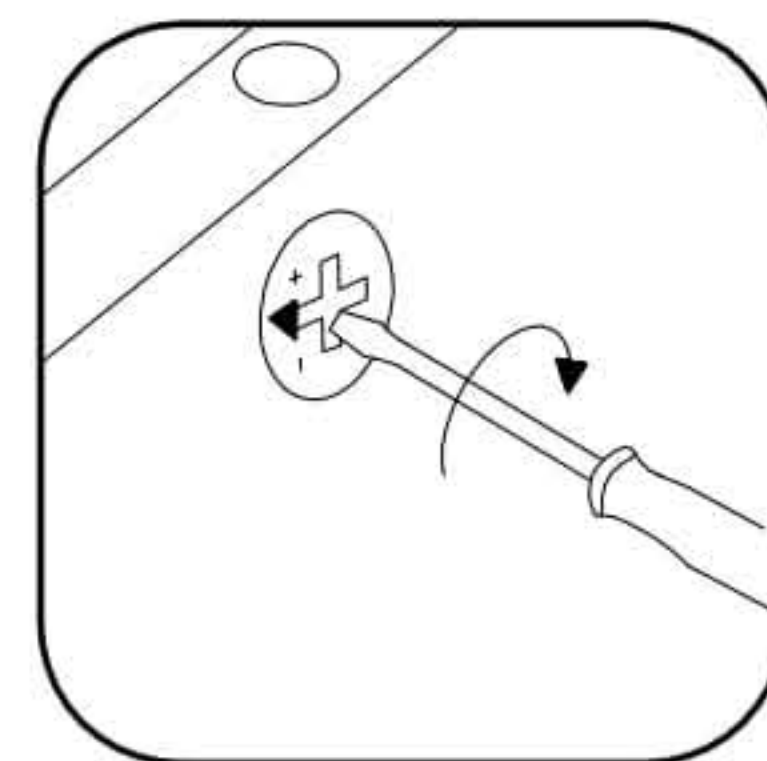
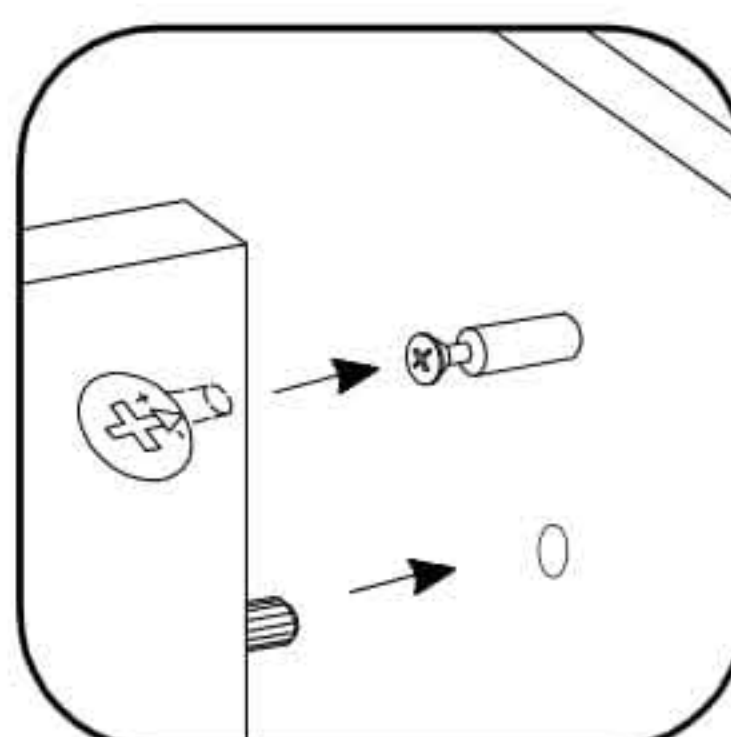
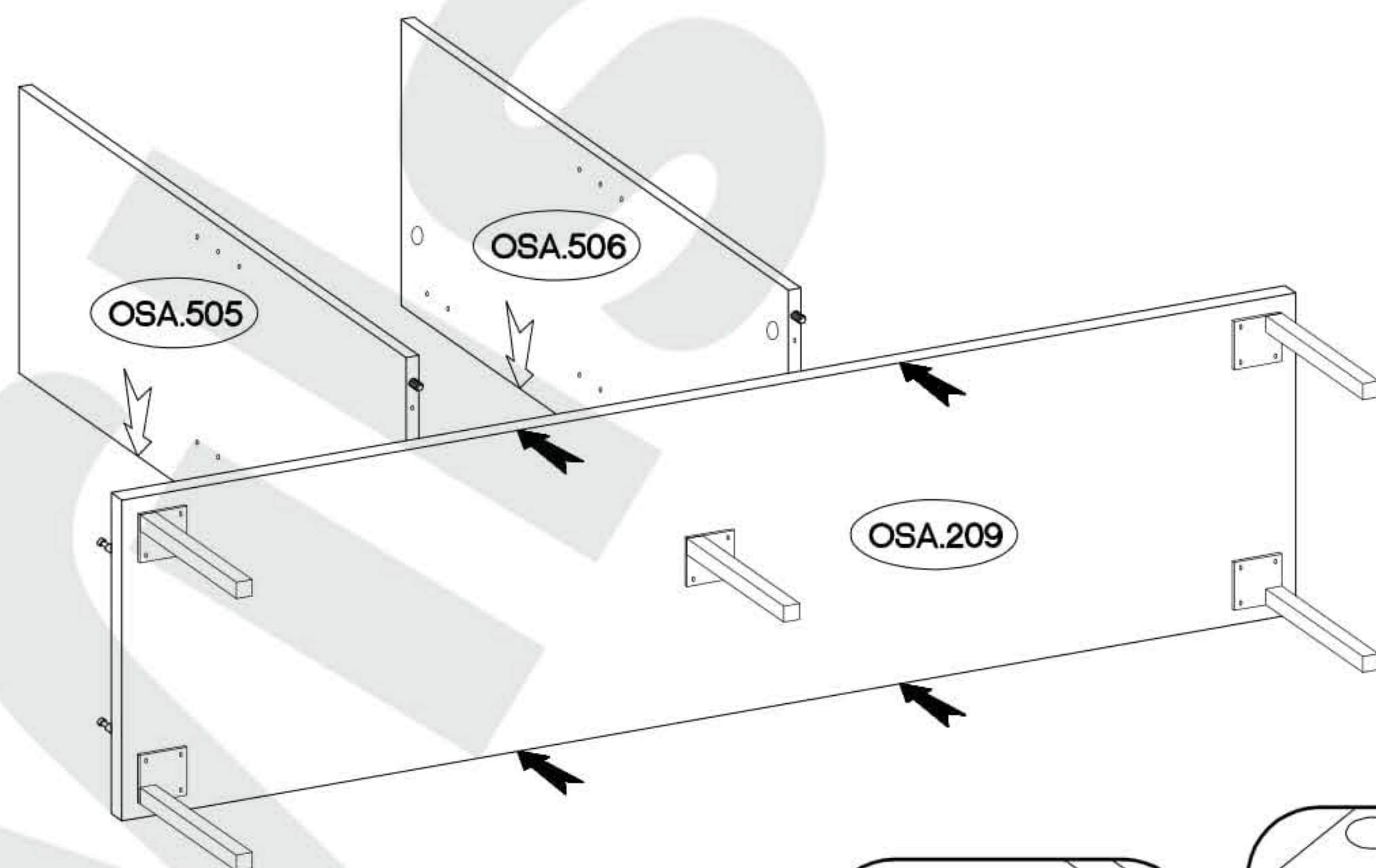
A technical drawing of a screw labeled P1, with a diameter of 4.0mm and a length of 16mm. Below the drawing is the quantity '4'.


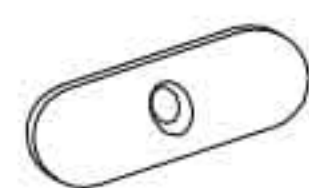
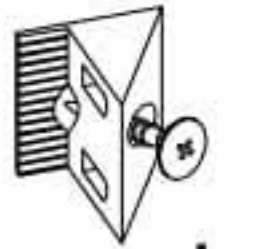


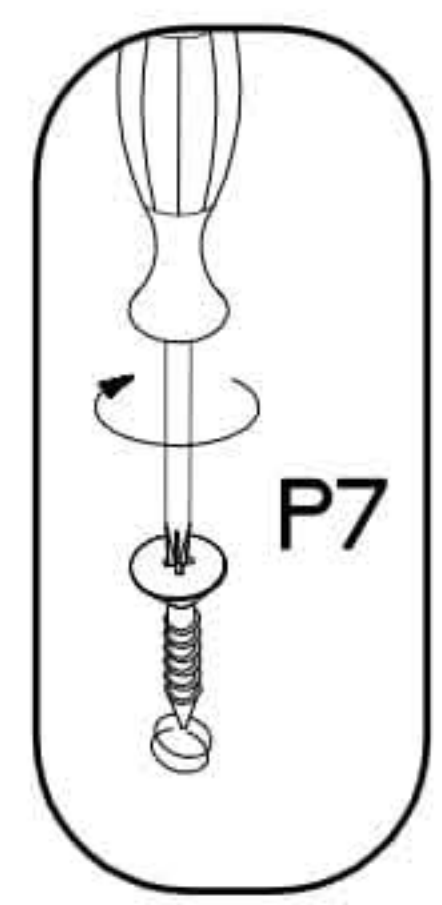
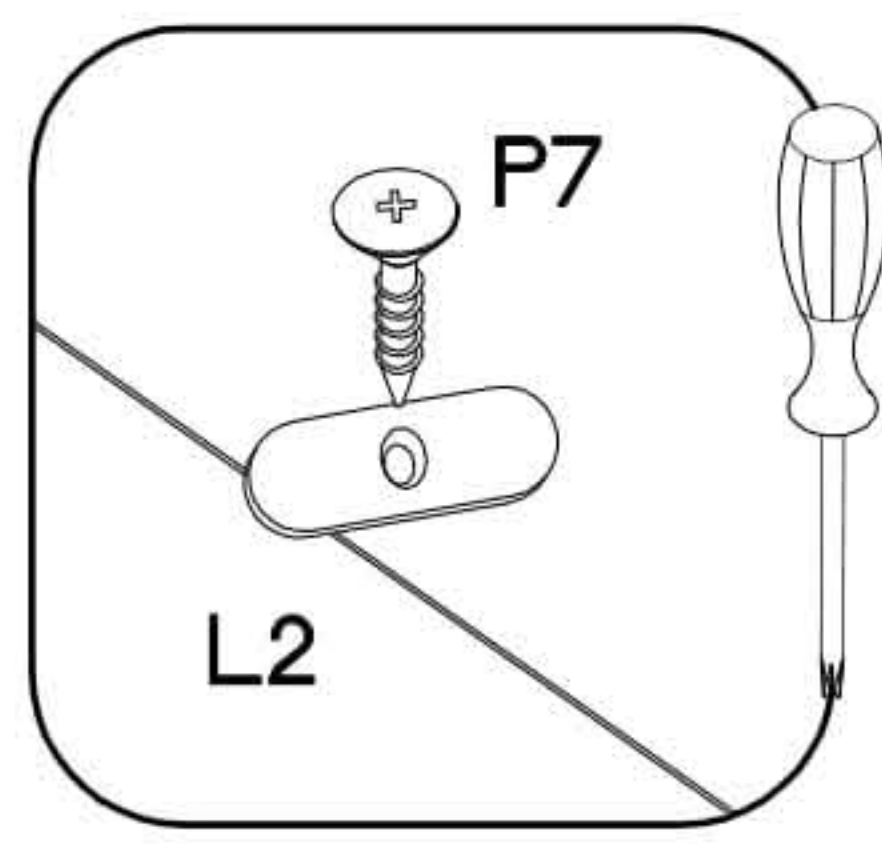
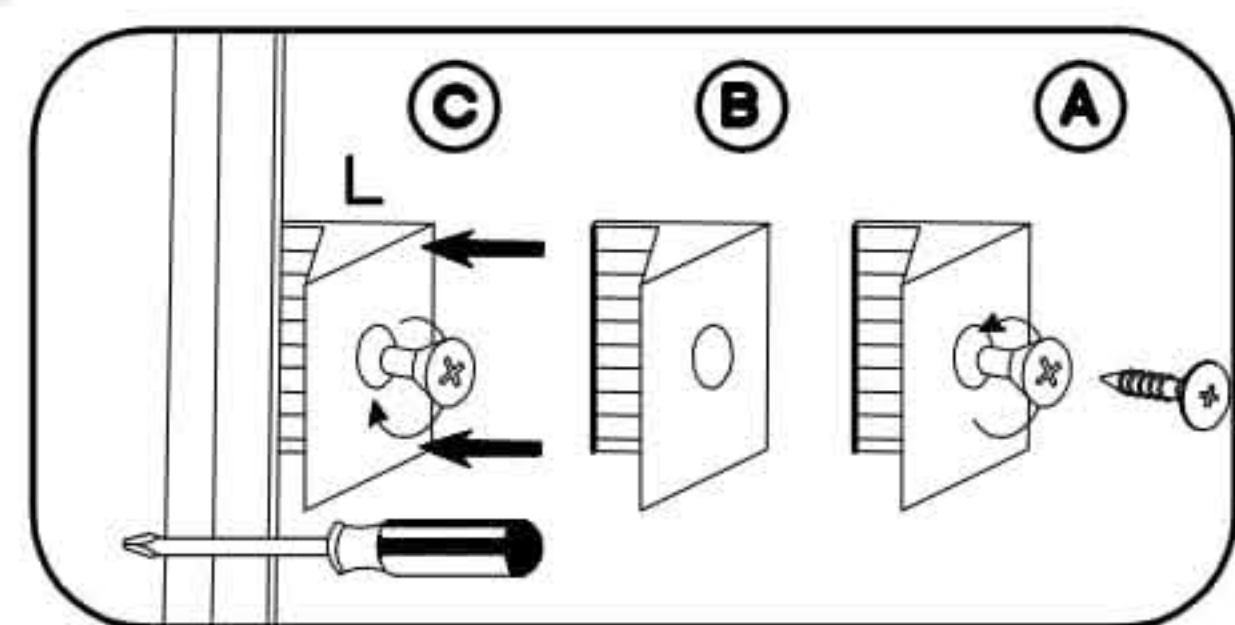
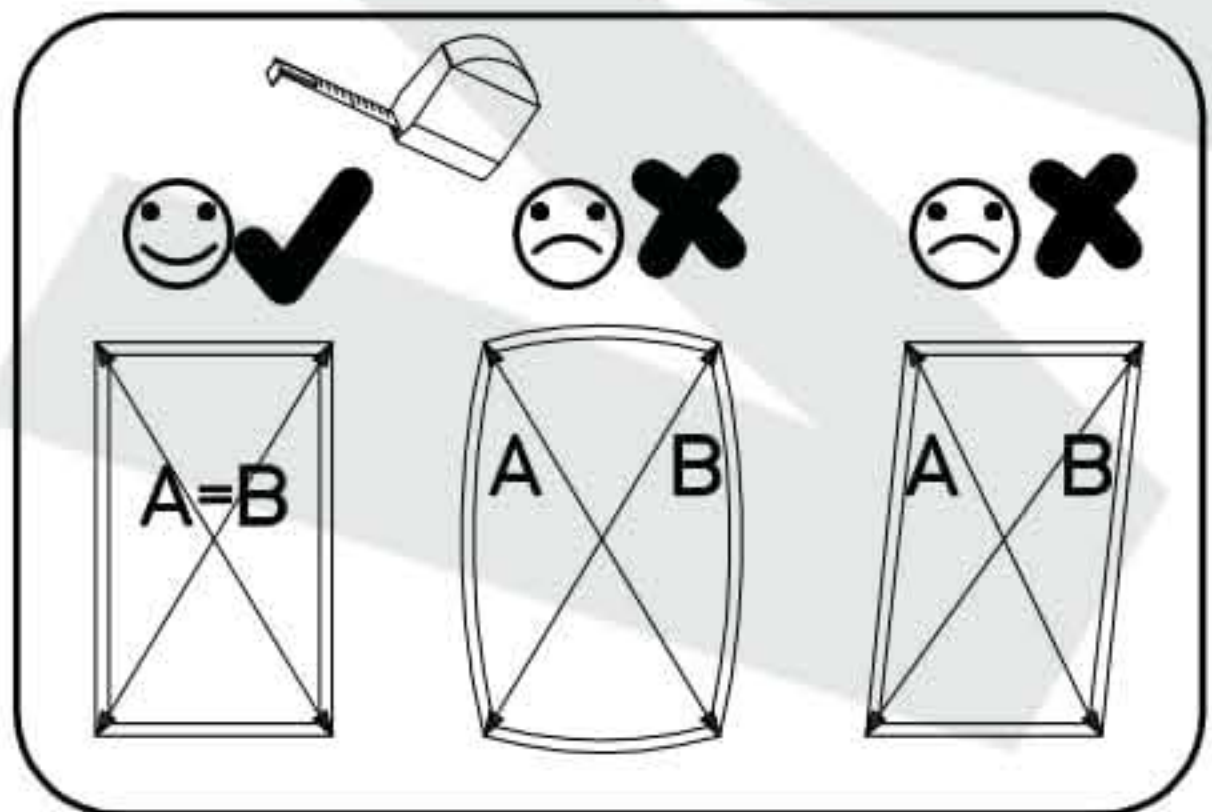
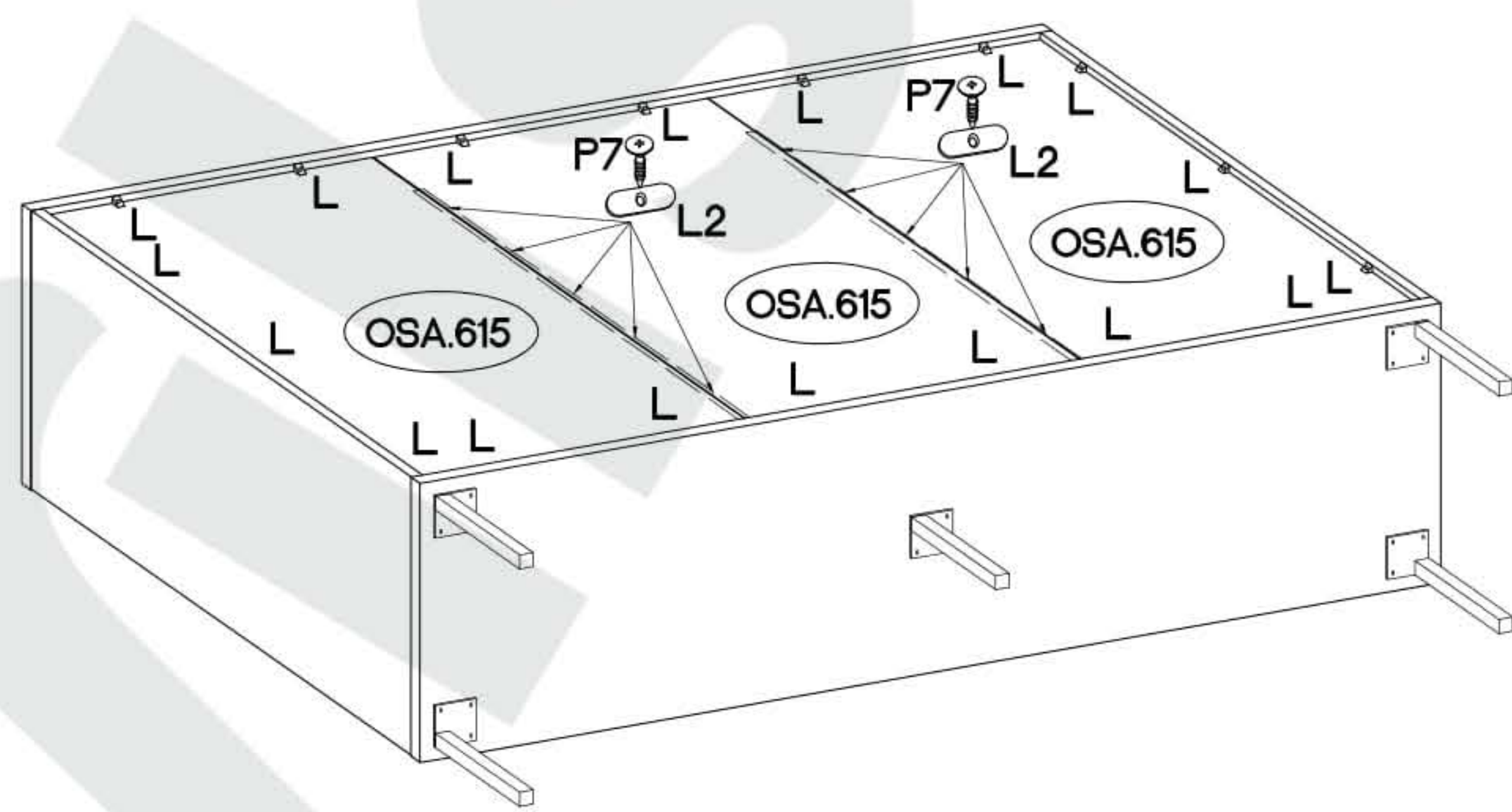
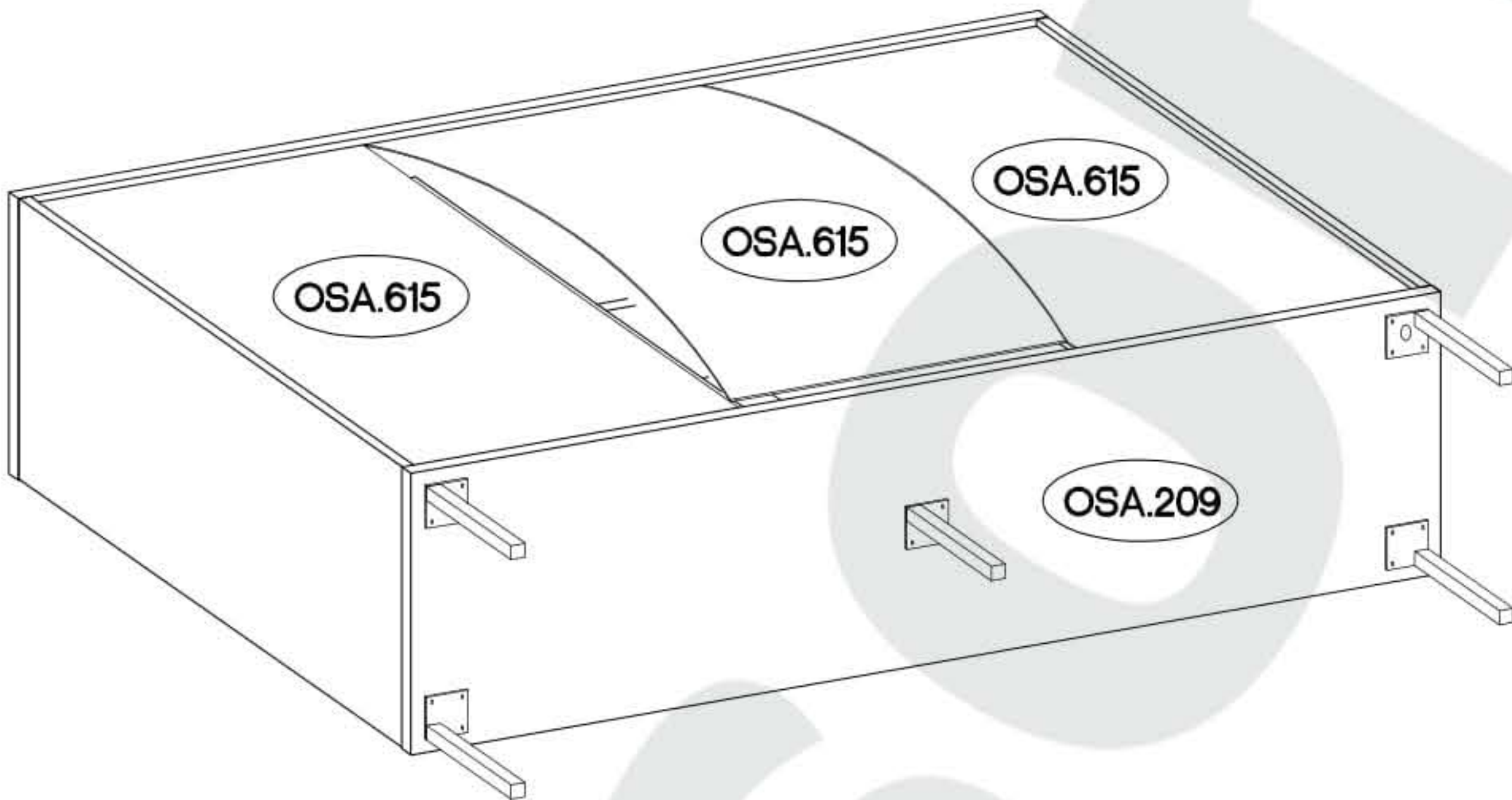
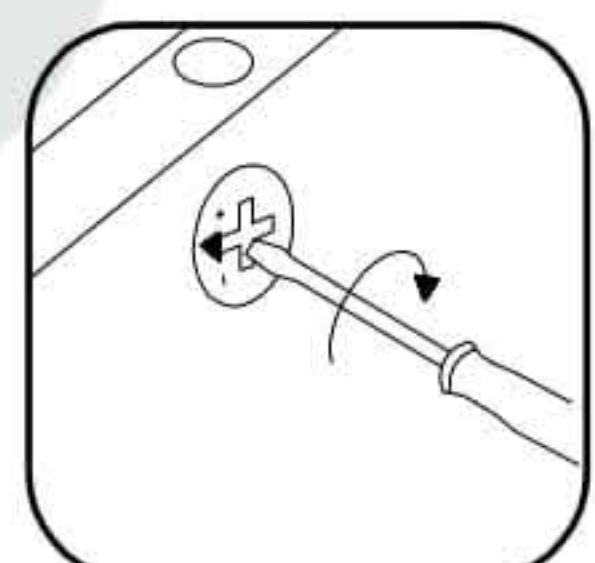
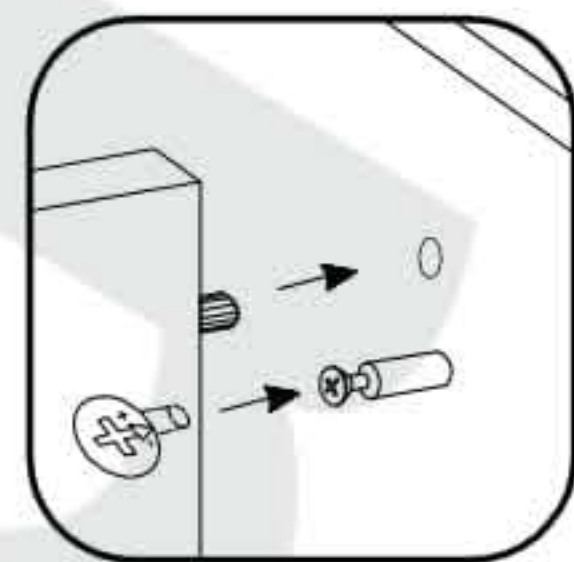
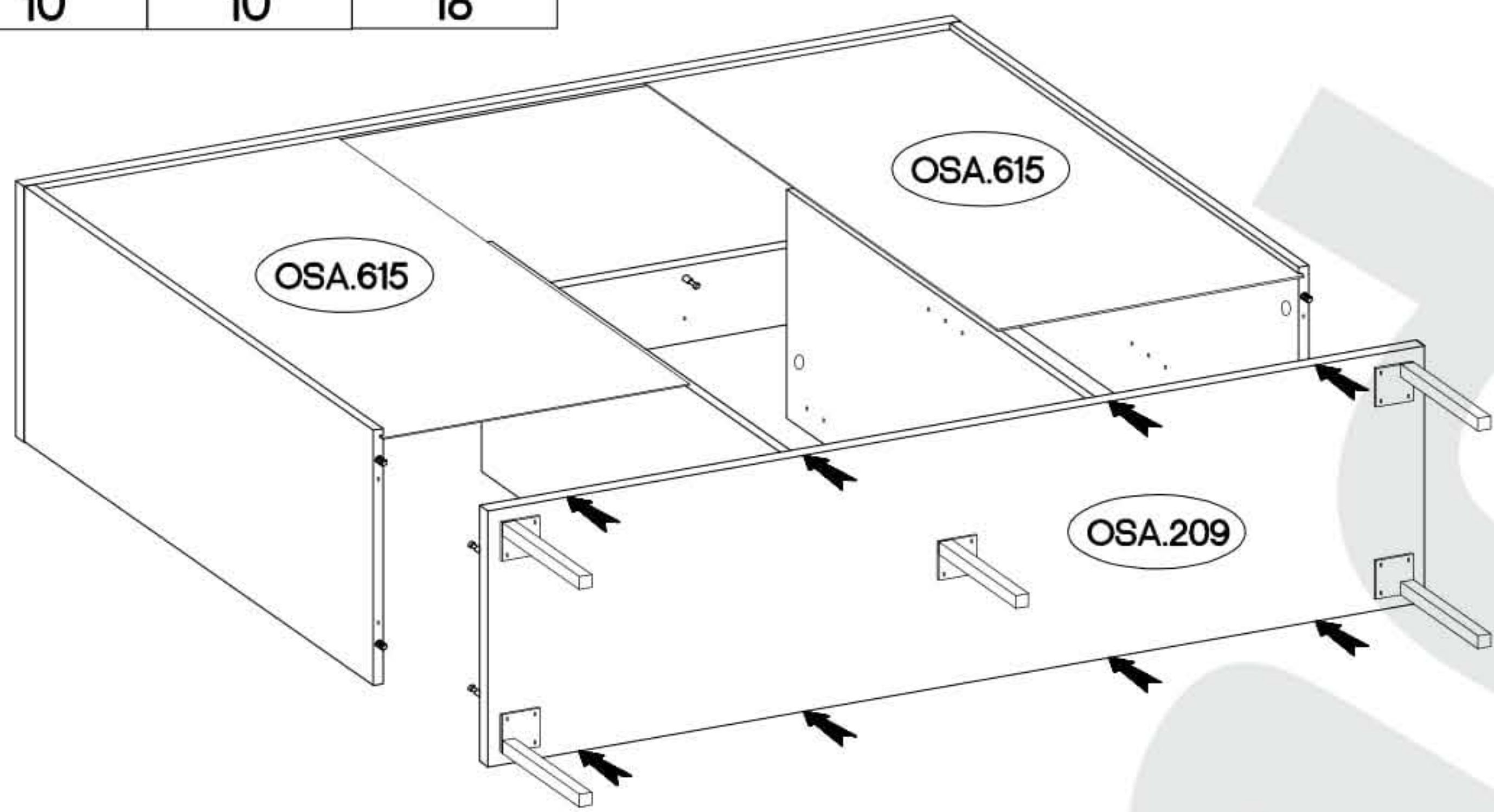
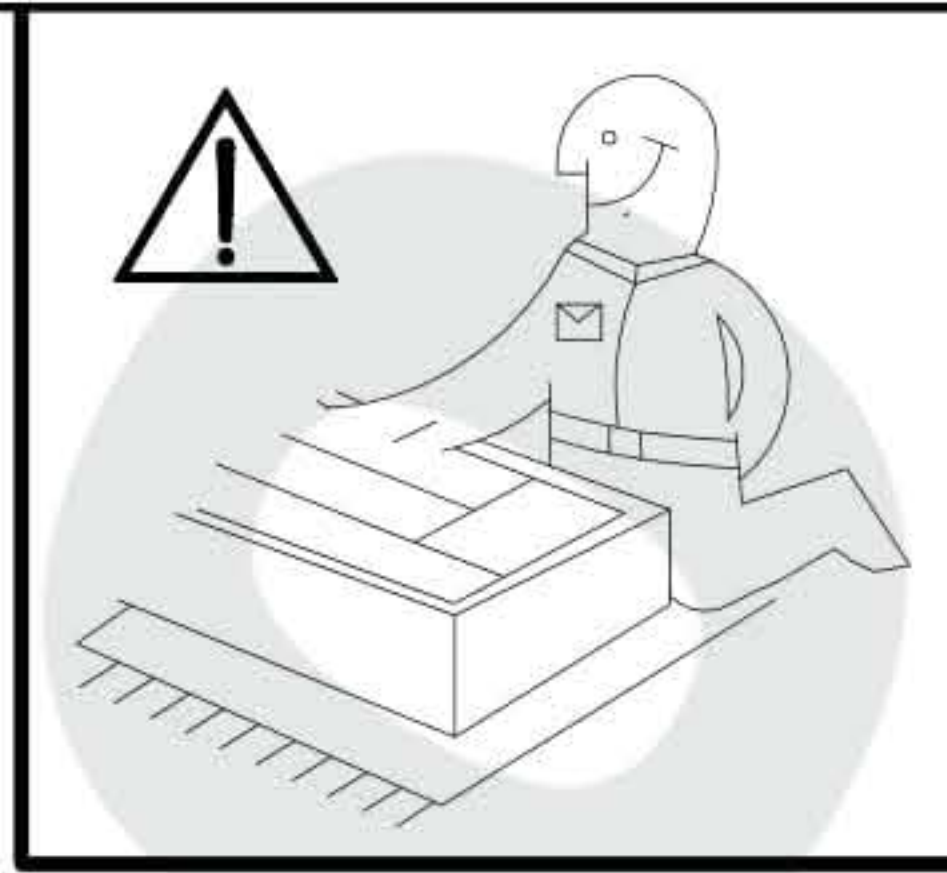
9






10

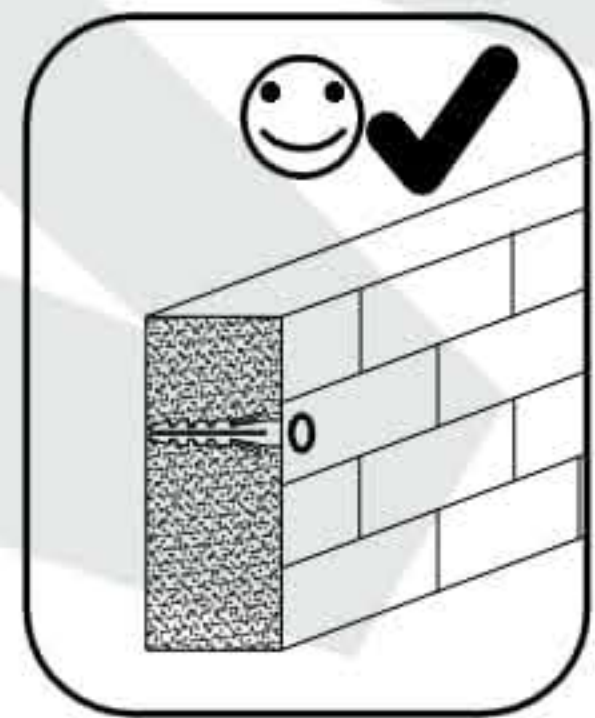
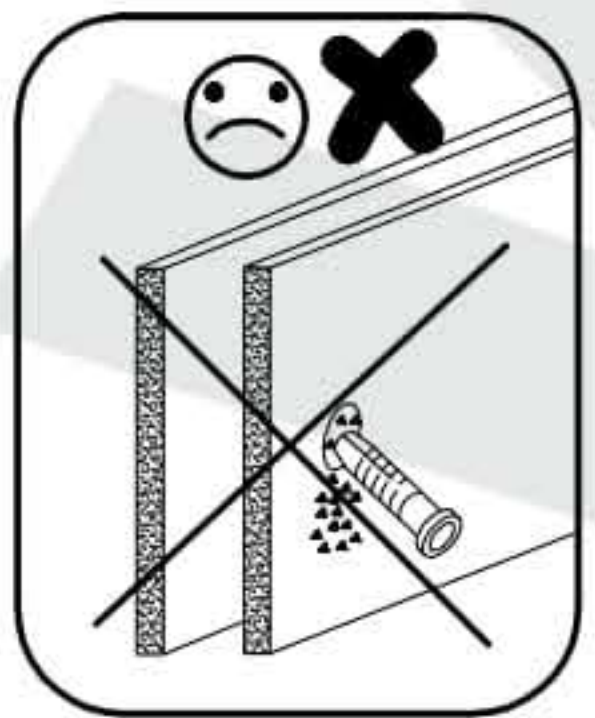
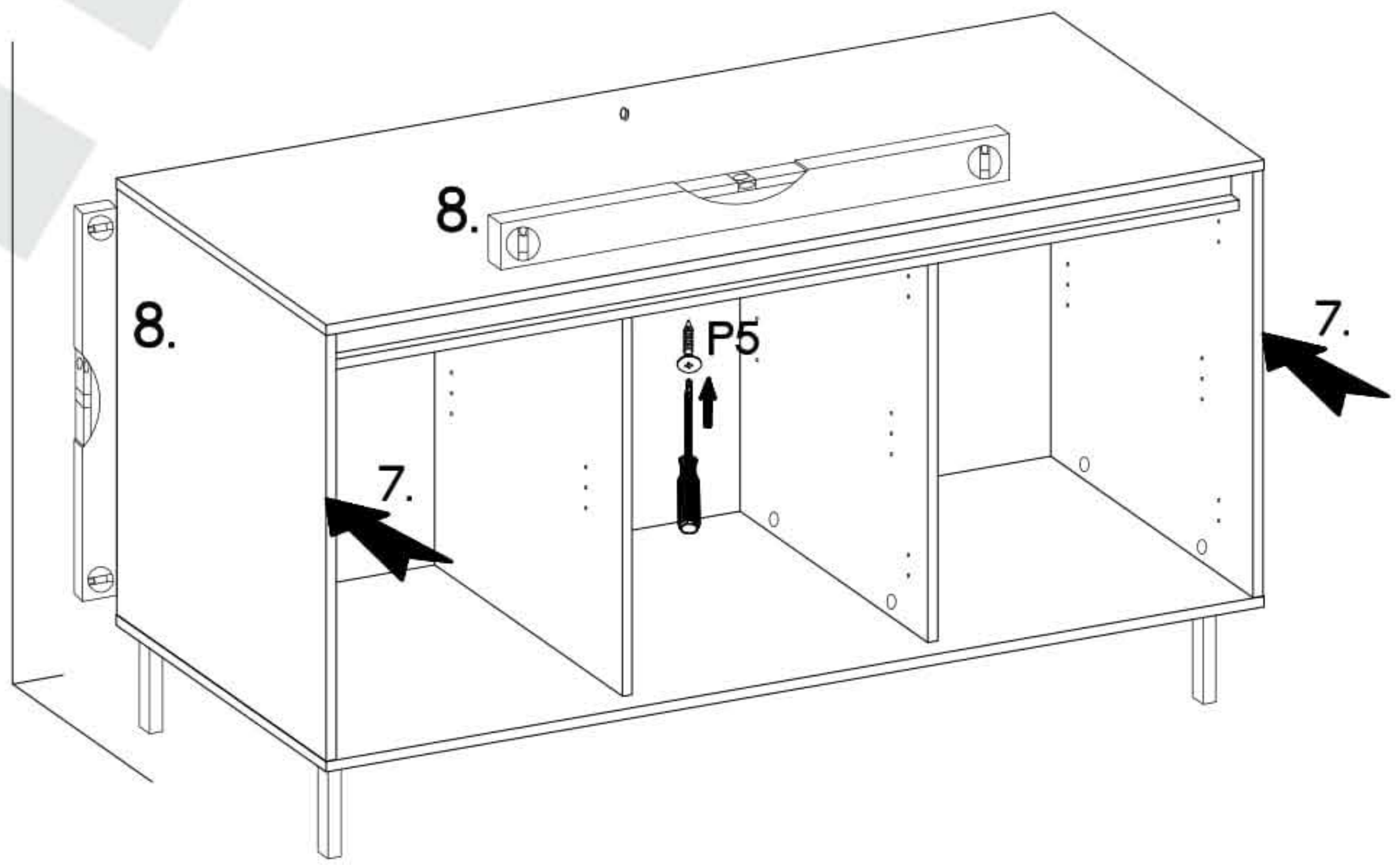
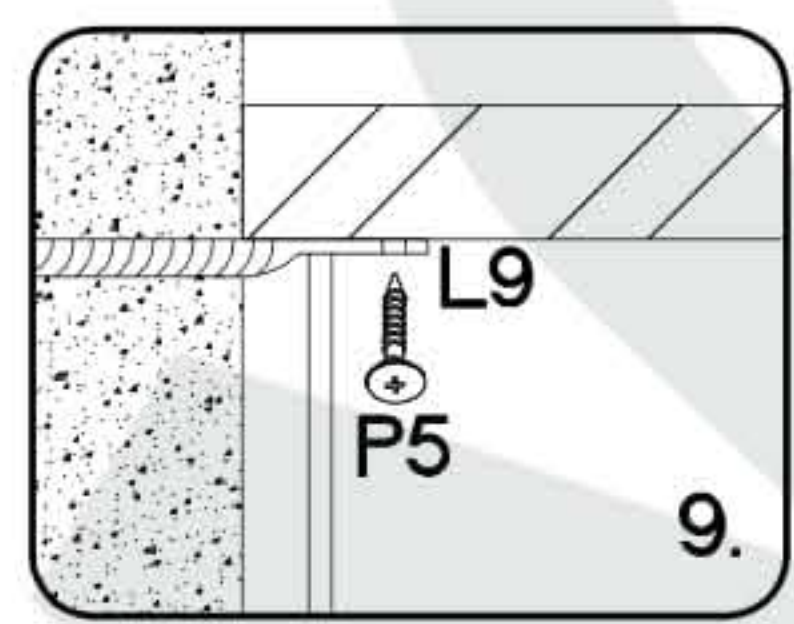
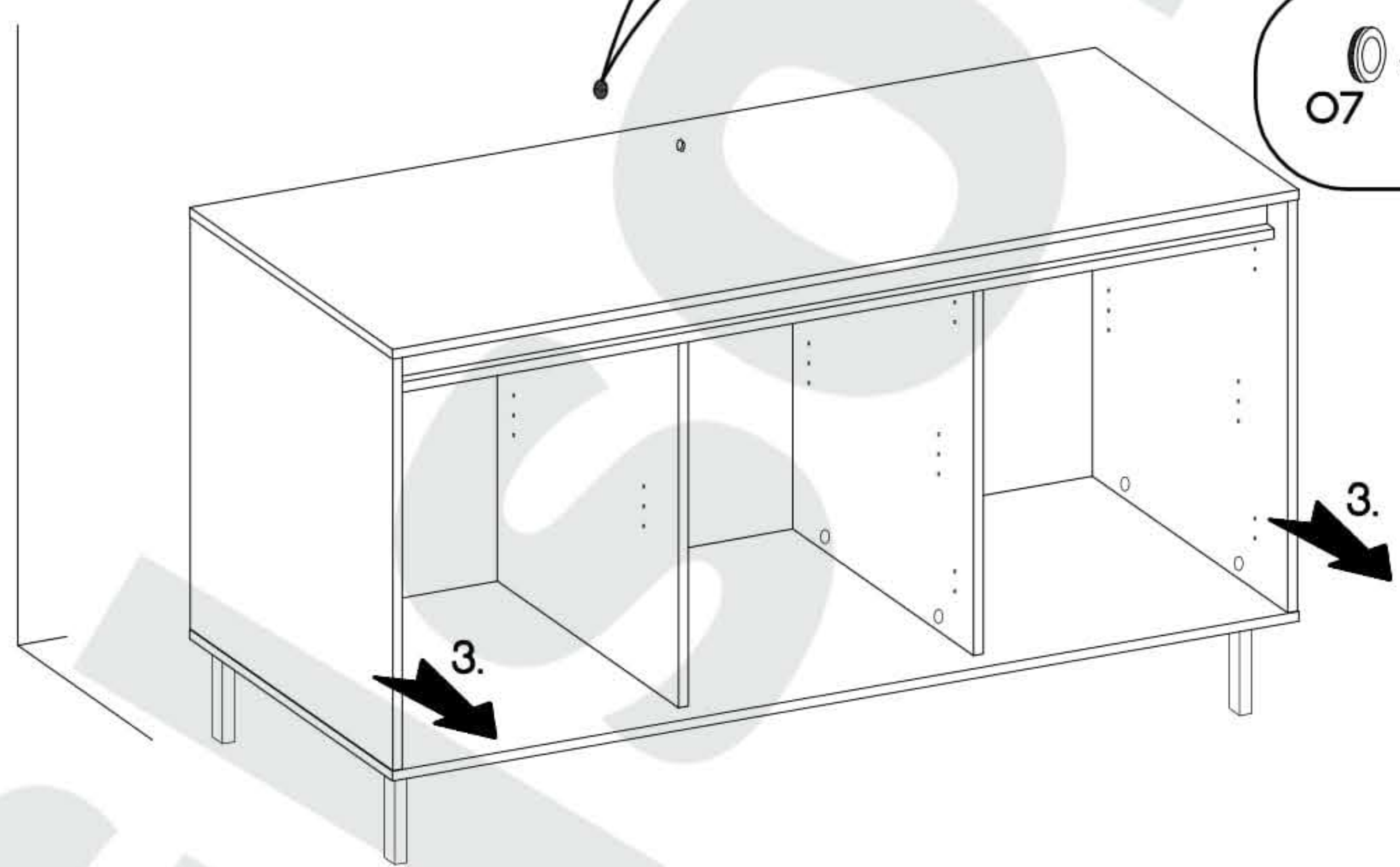
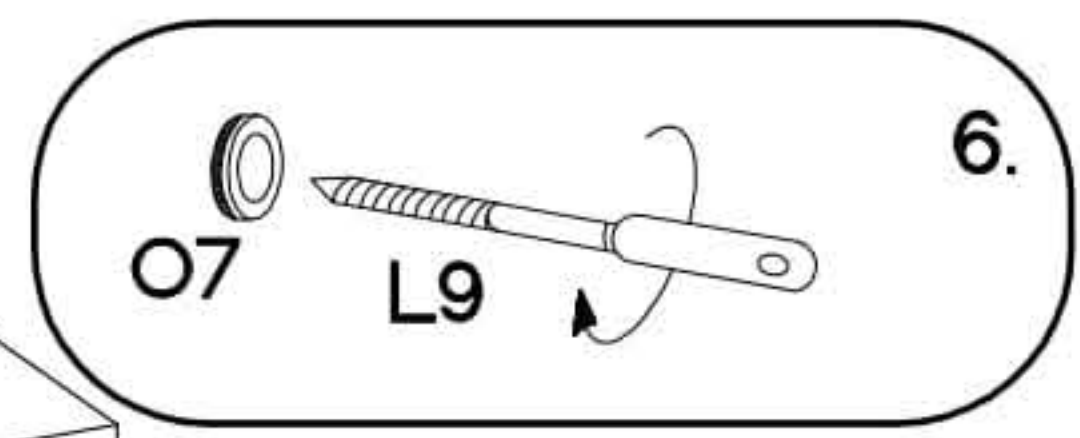
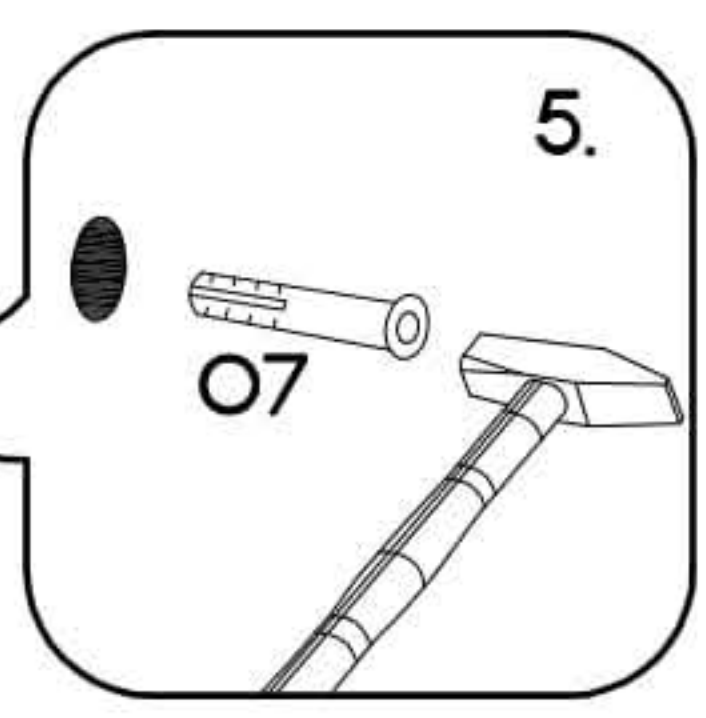
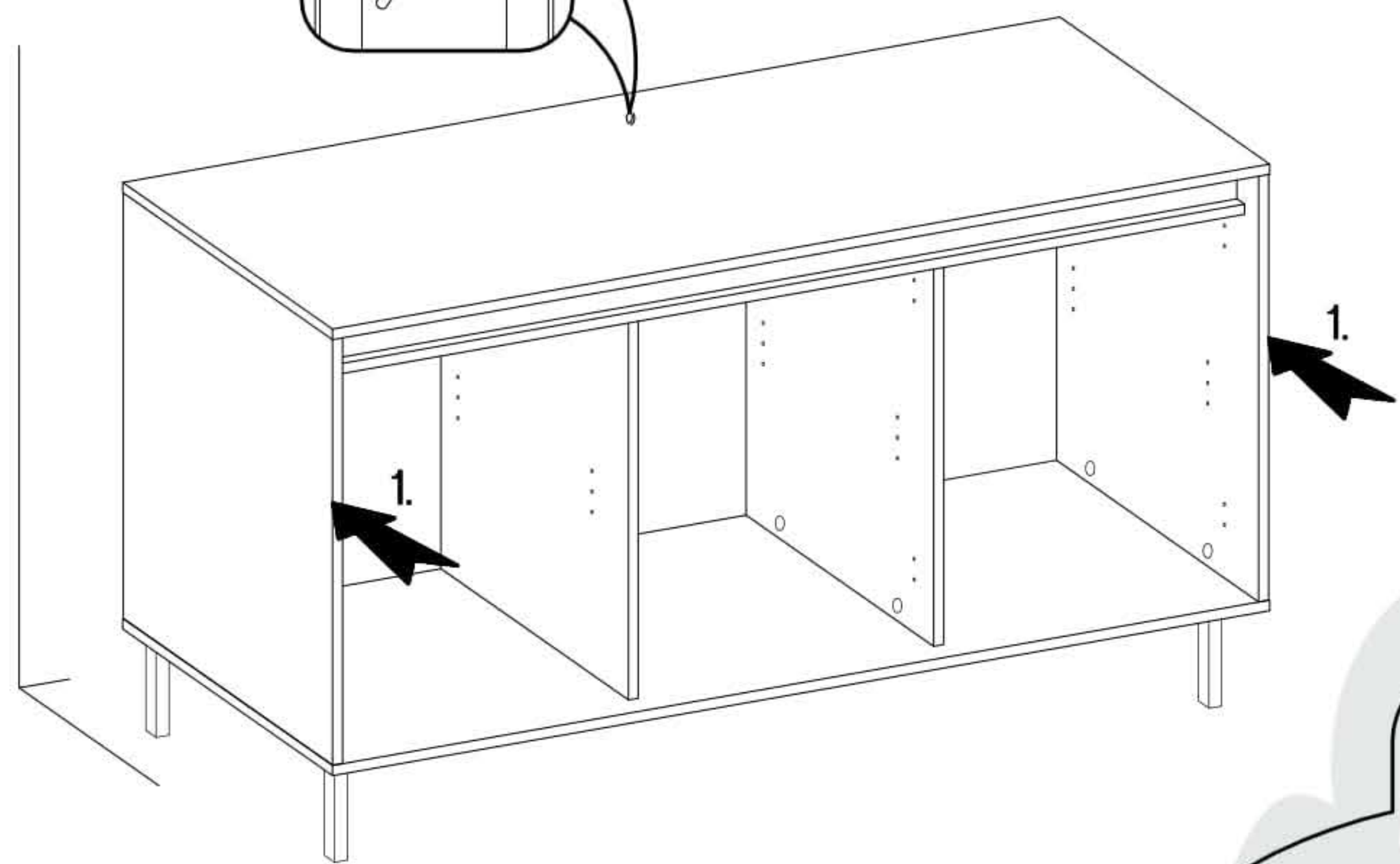
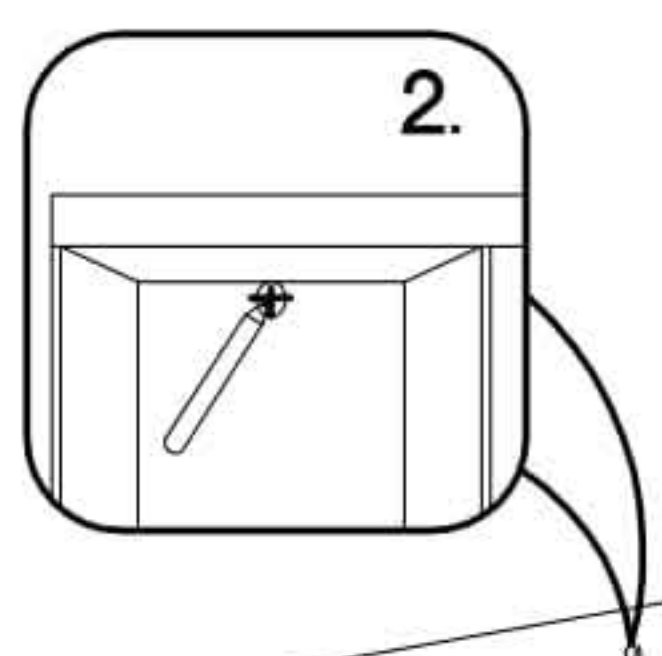


 <b>P7</b> 10	 <b>L2</b> 10	 <b>L</b> 18
--	---	--




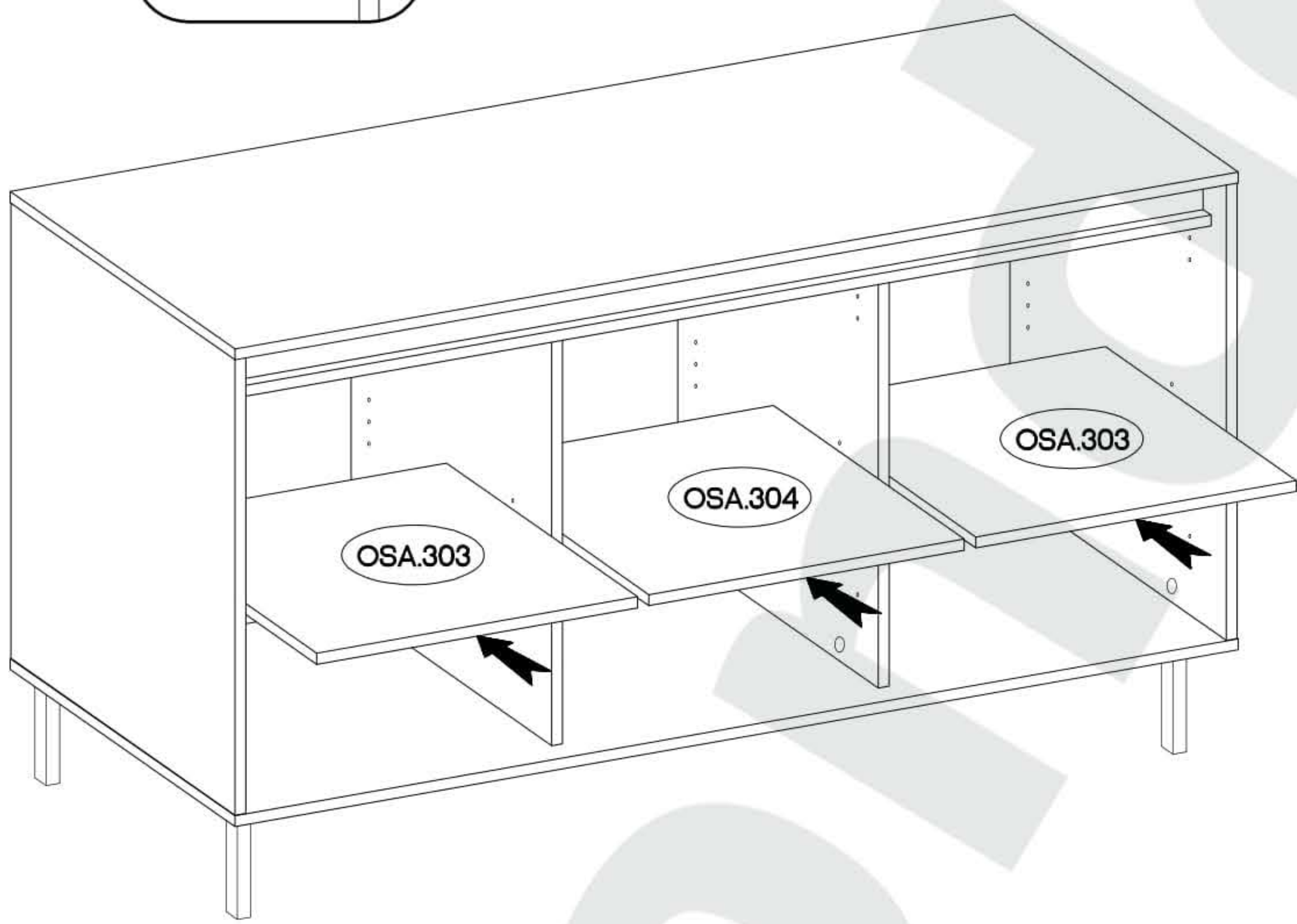
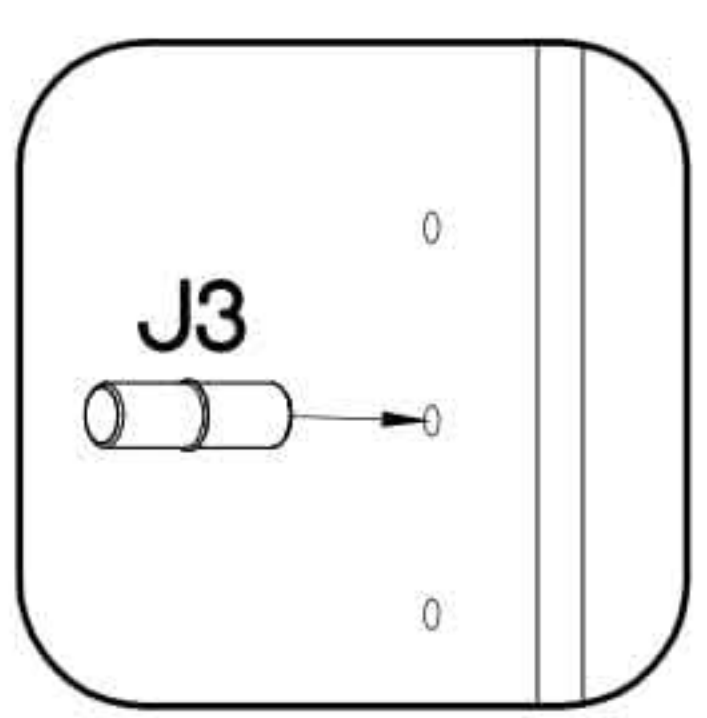


$\varnothing 10 \times 50 \text{mm}$  <b>O7</b> 1	 <b>L9</b> 1	$\varnothing 3.5 \times 13 \text{mm}$  <b>P5</b> 1
---	--	--






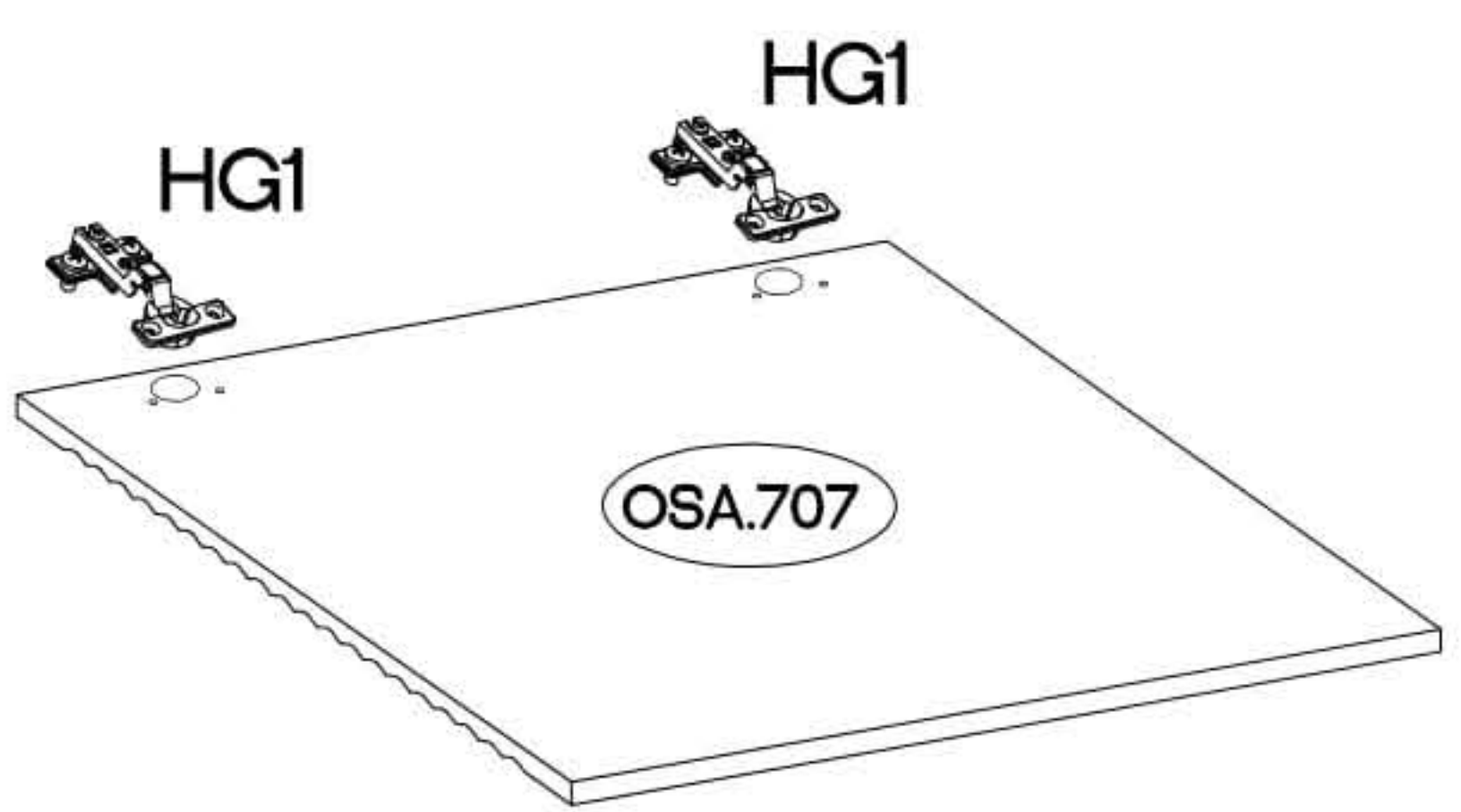
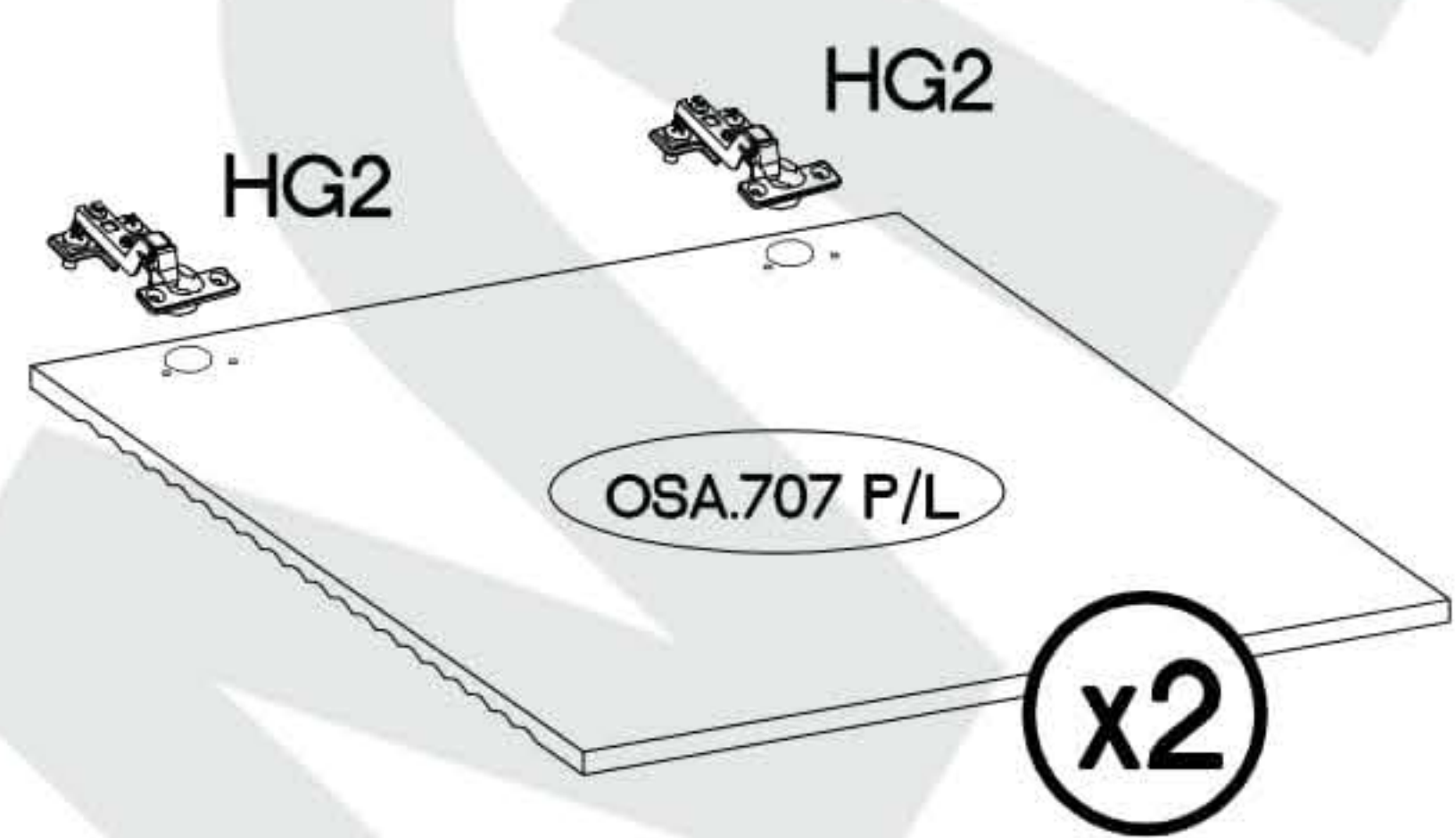
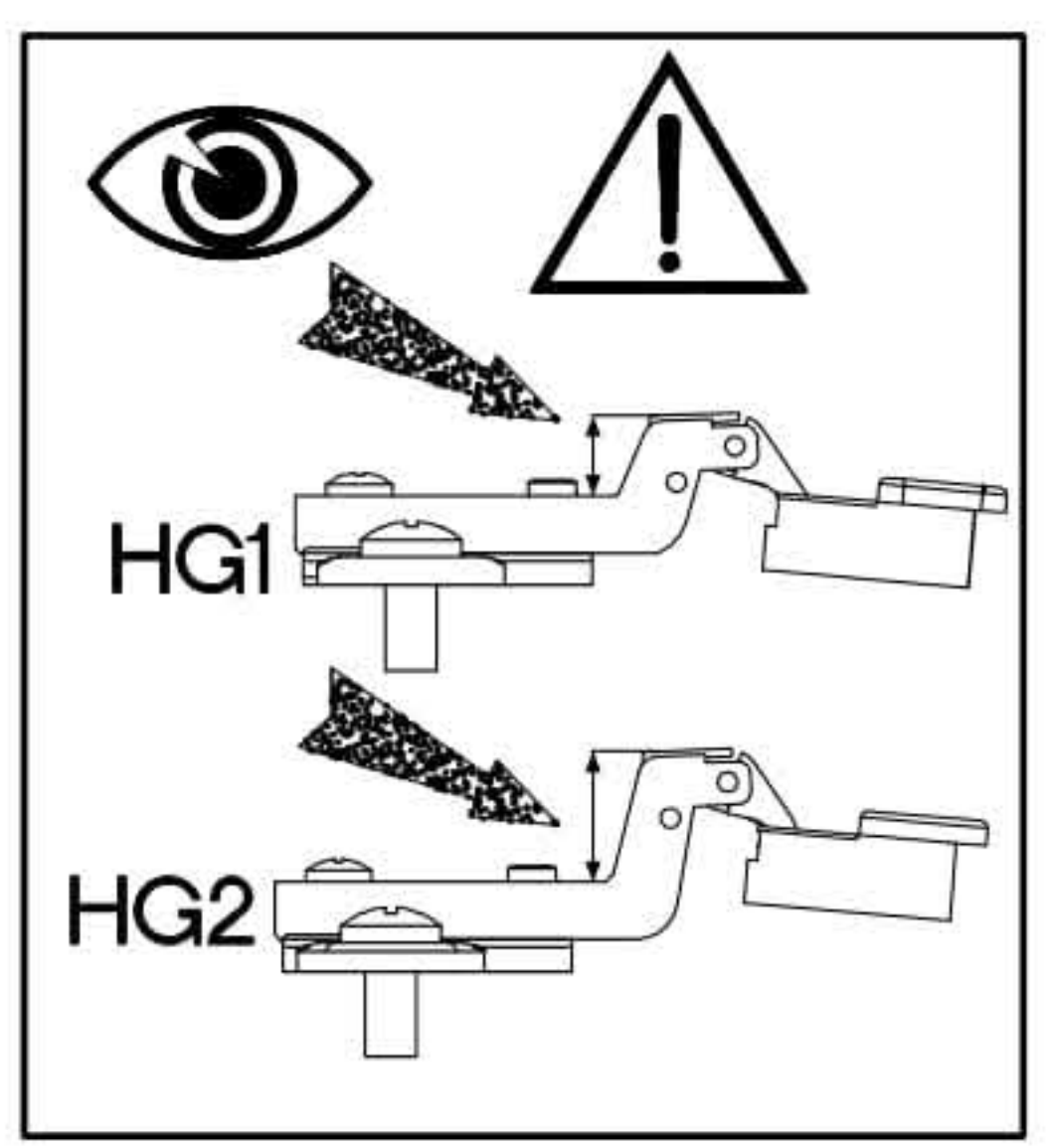
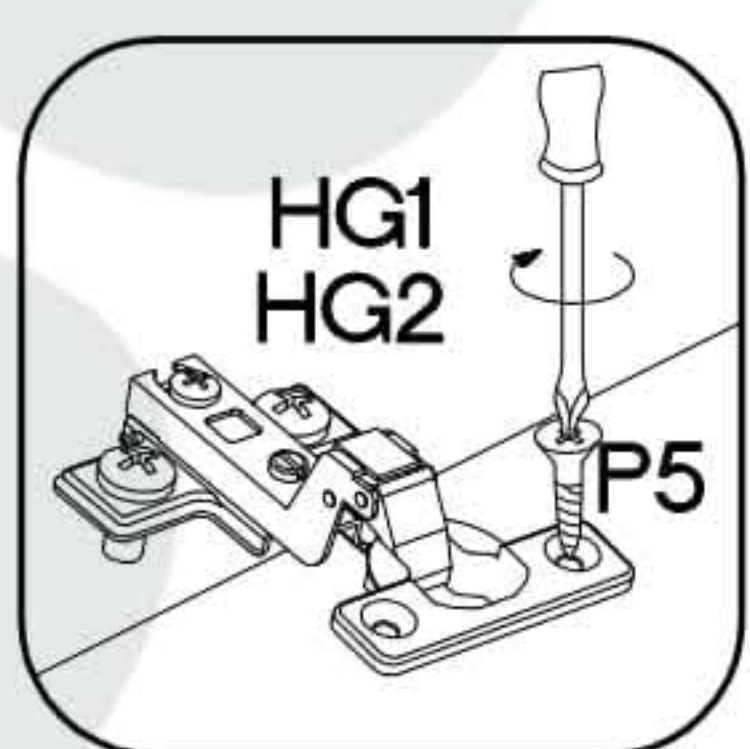
13


†5/16mm

J3
12

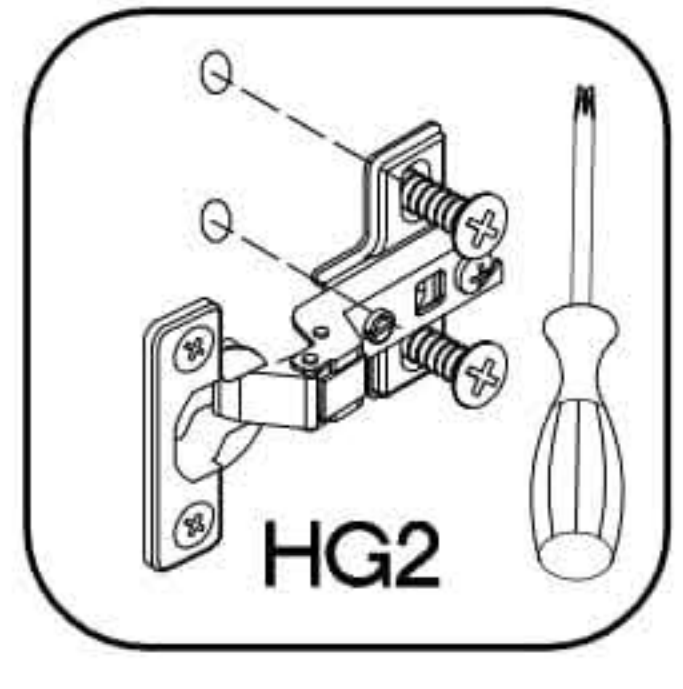
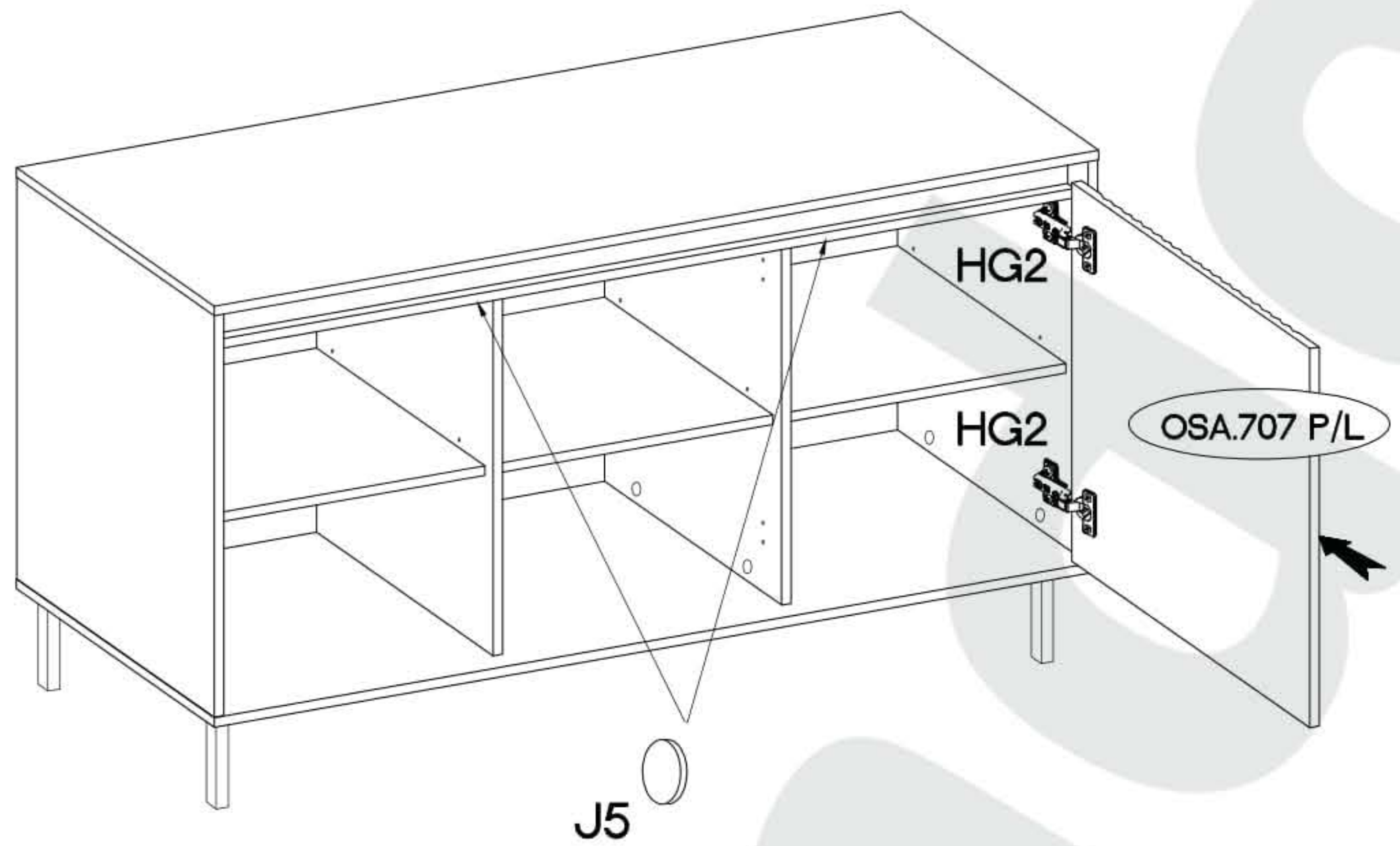


14

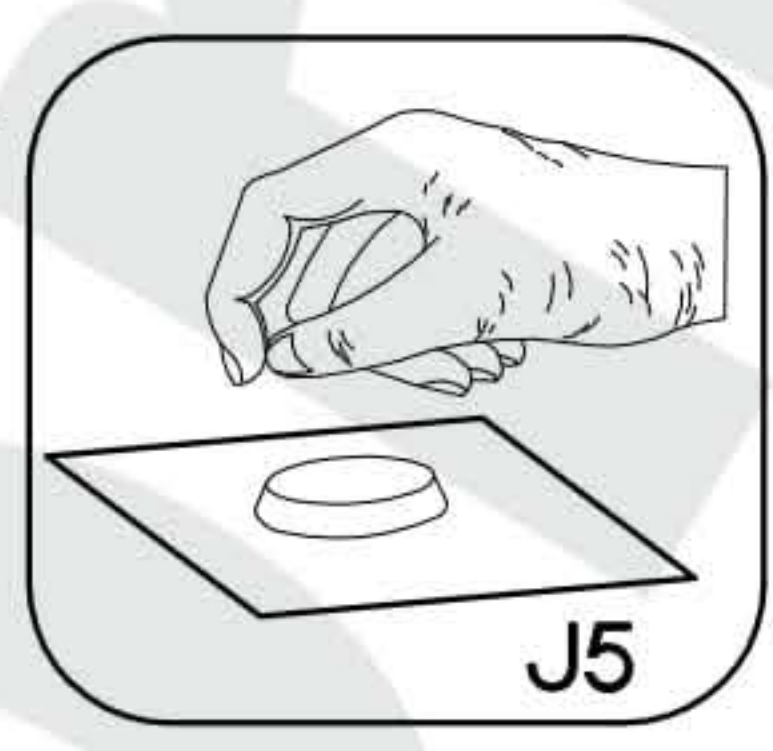
†35/16mm	†35/9mm	†3.5x13mm
		
HG2	HG1	P5
4	2	12



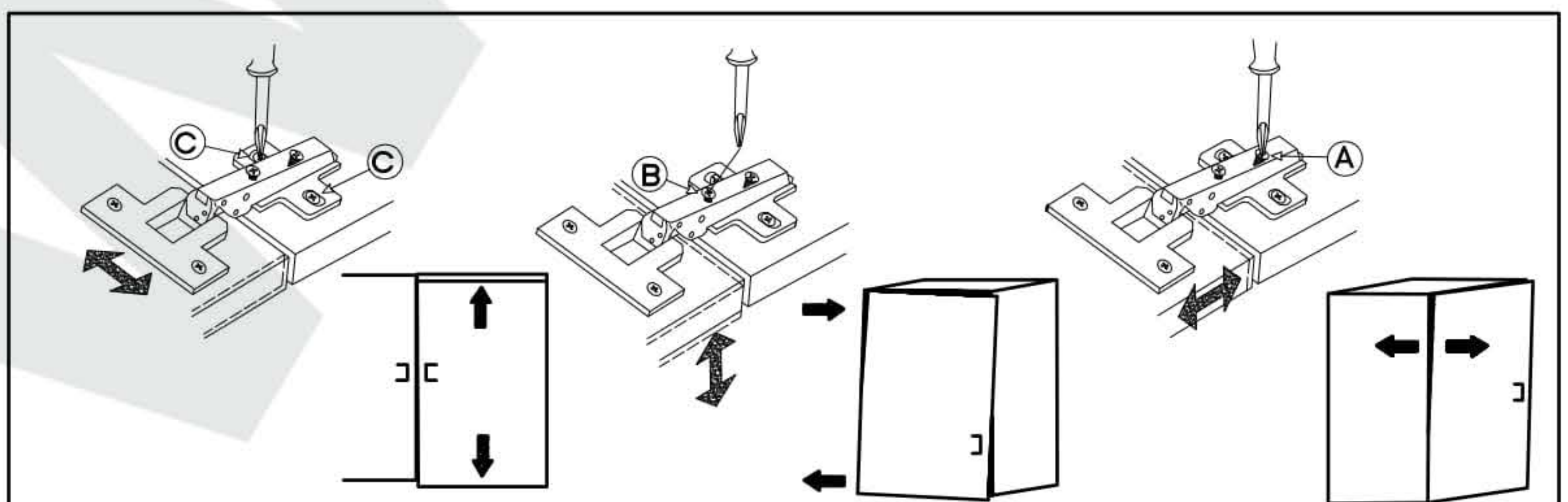
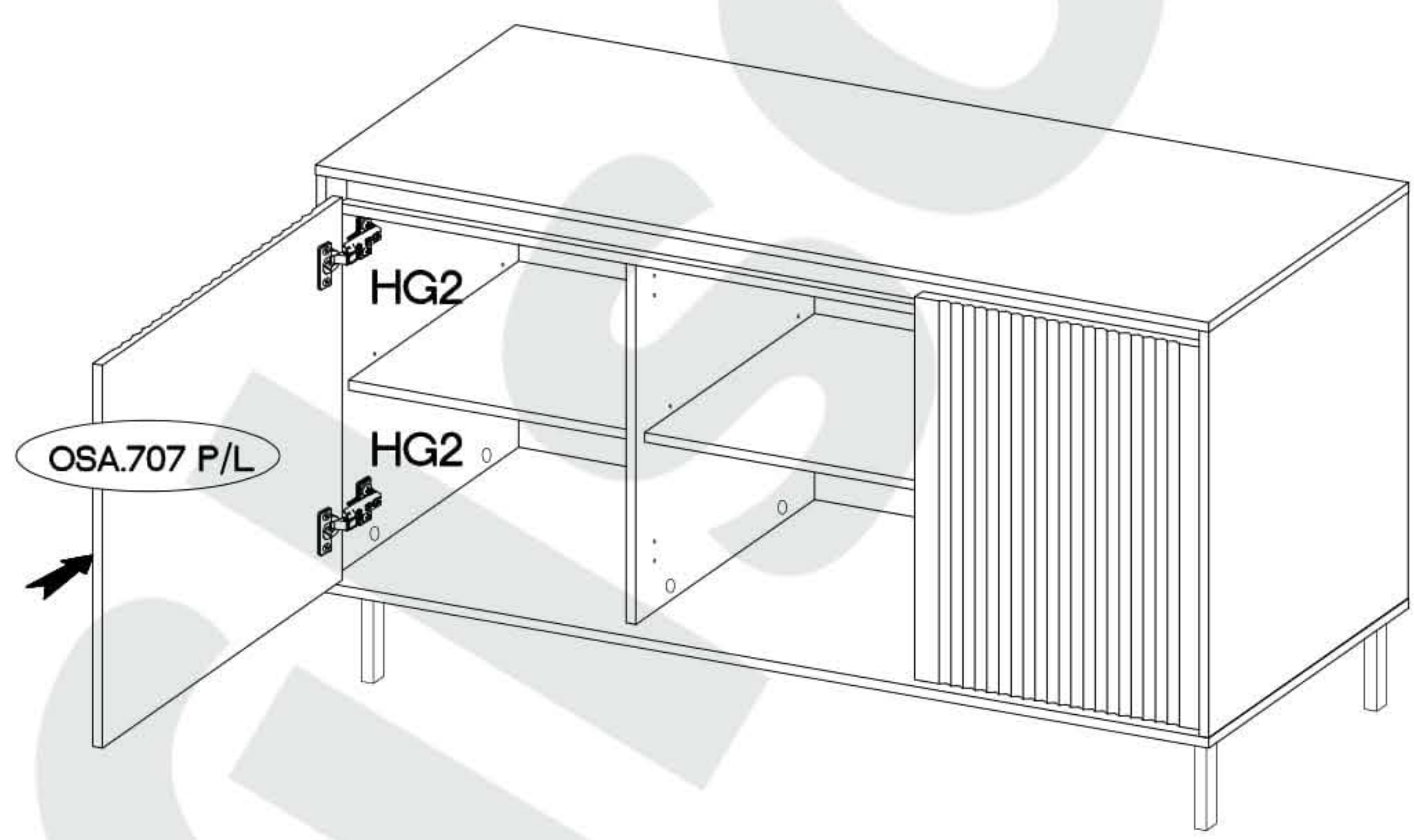
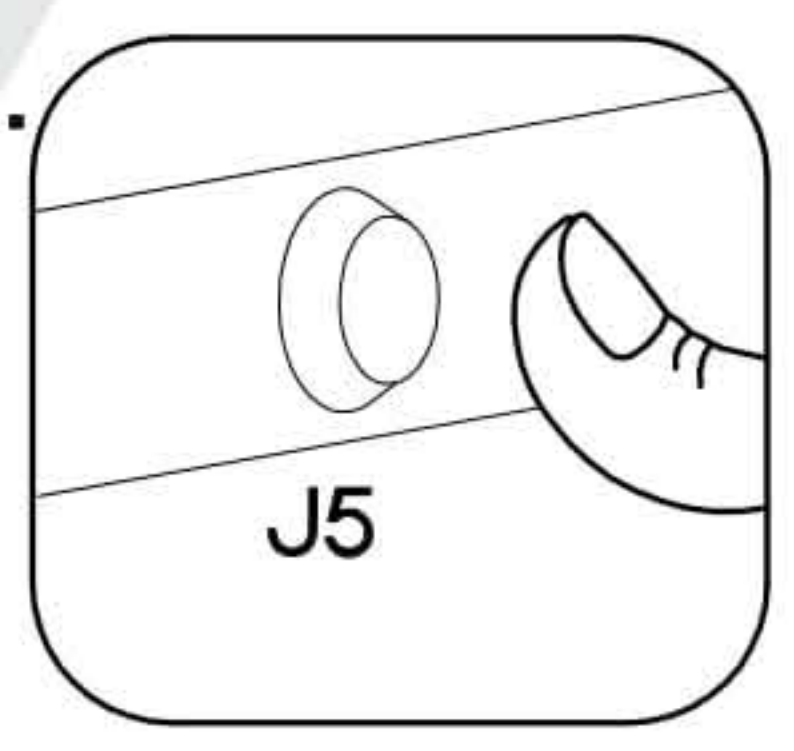
±7/2mm

J5
2

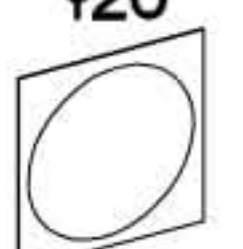



1.



2.



±20	±7/2mm
	
E11	J5
14	1

