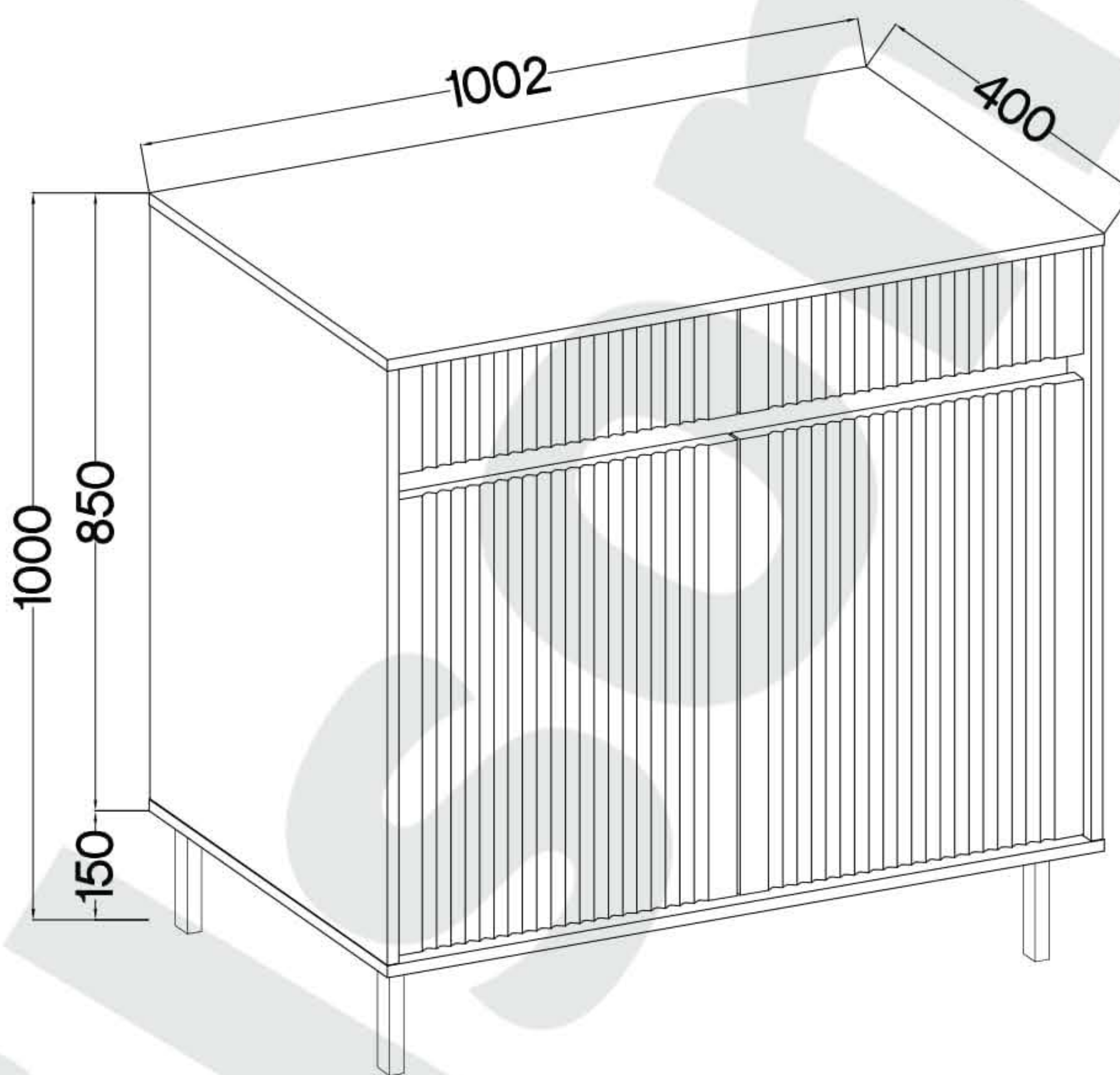


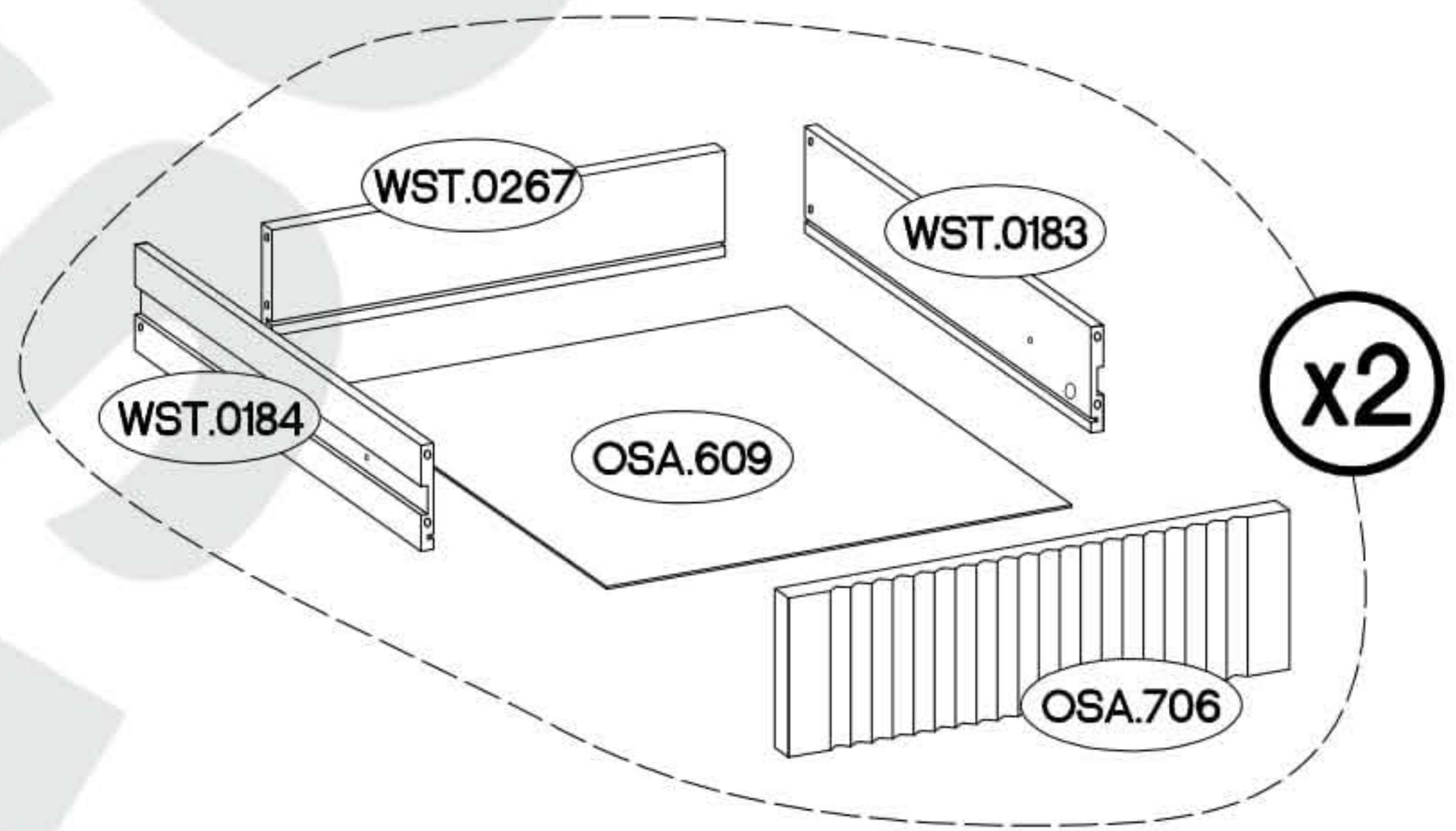
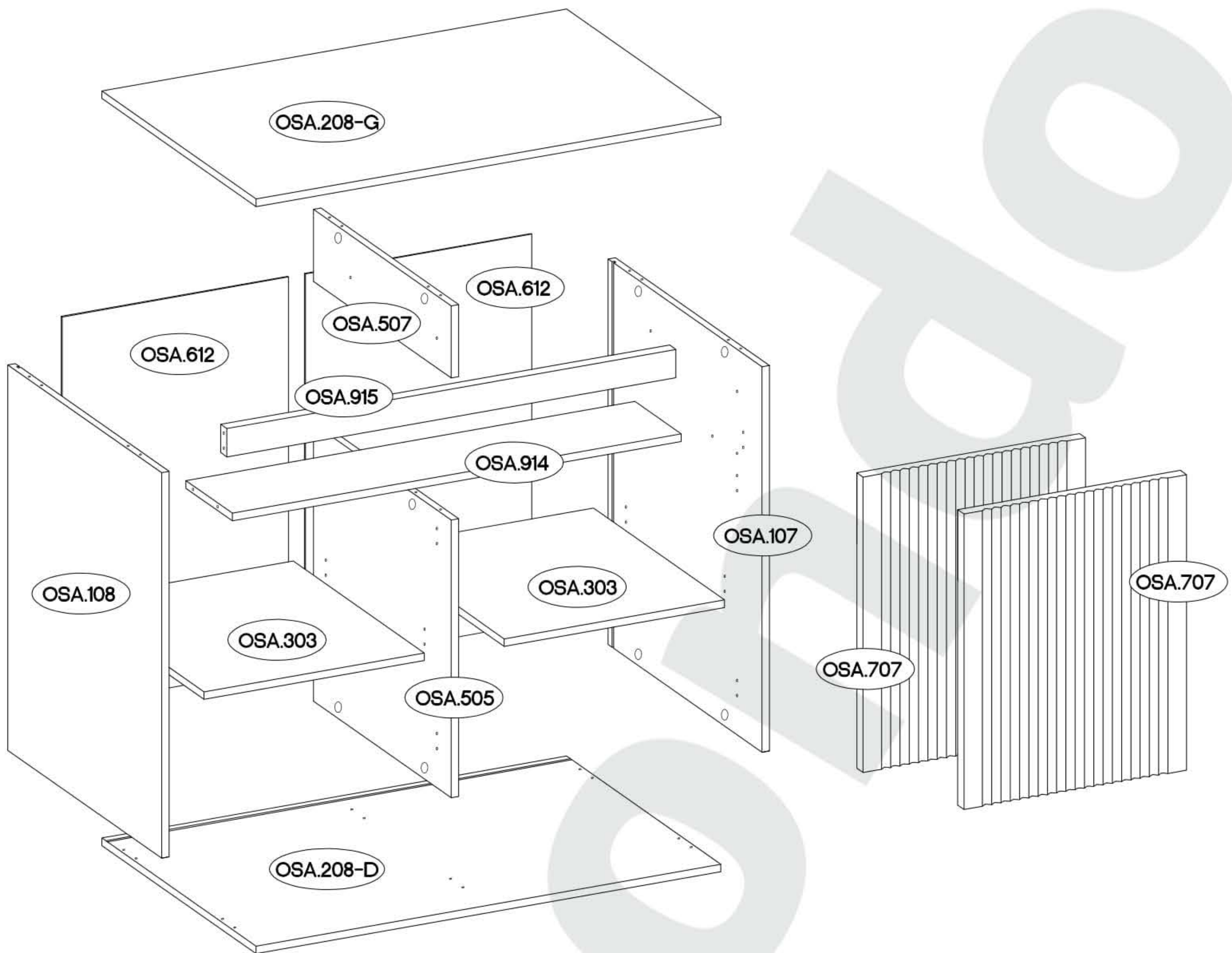
90 min

TYP 822

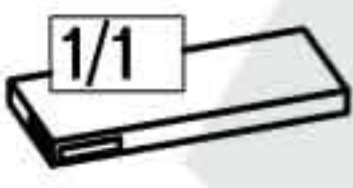


 †8x30mm A 27	 †6x42mm B2 4	 †15/12mm C 15	 †12/10mm C5 4	 L=20mm D2 19	 †20 E11 9	 L=150mm F34 4	 †35/16mm HG2 4	 27/310mm I4 2	 †5/16mm J3 8	 †7/2mm J5 2	 †20/8mm J14 4	 L 18
 L2 7	 L9 1	 †6,3x13mm M2 4	 †6,3x20mm M3 4	 †10x50mm O7 1	 †4,0x16mm P1 4	 †3,5x13mm P5 9	 †3,0x20mm P7 7	 †4,0x16mm R11 12	 T3 2	 M4x9mm U1 4		

ISM-OSA-007



	Ersatzteil Nummer	Dimension
	OSA.107	818x399x16
	OSA.108	818x399x16
	OSA.505	589x357x16
	OSA.507	153x357x16
	OSA.208 x2	1002x400x16
	OSA.914	968x120x16
	OSA.915	968x60x16
	OSA.303 x2	475x340x16
	OSA.612 x2	827x488x2,5
	OSA.609 x2	445x327x2,5
	WST.0183 x2	330x100x12
	WST.0184 x2	330x100x12
	WST.0267 x2	434x100x12
	OSA.706 x2	150x480x16
	OSA.707 x2	627x480x16



OSA.208-G




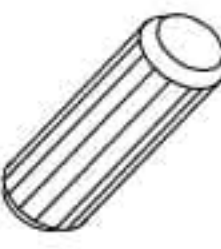
OSA.208-D

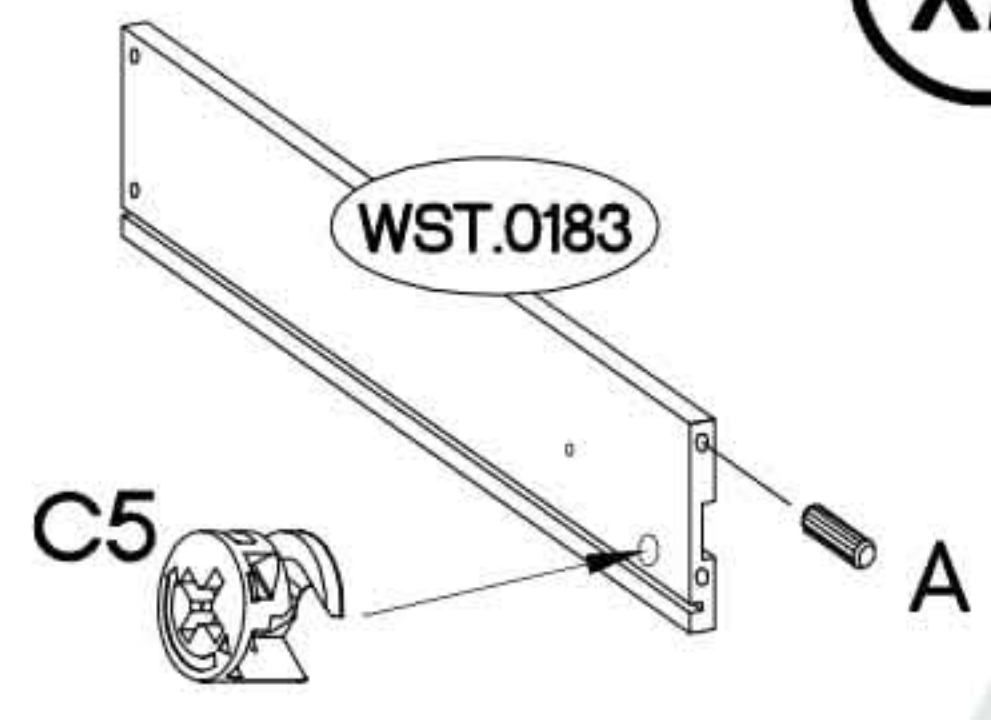
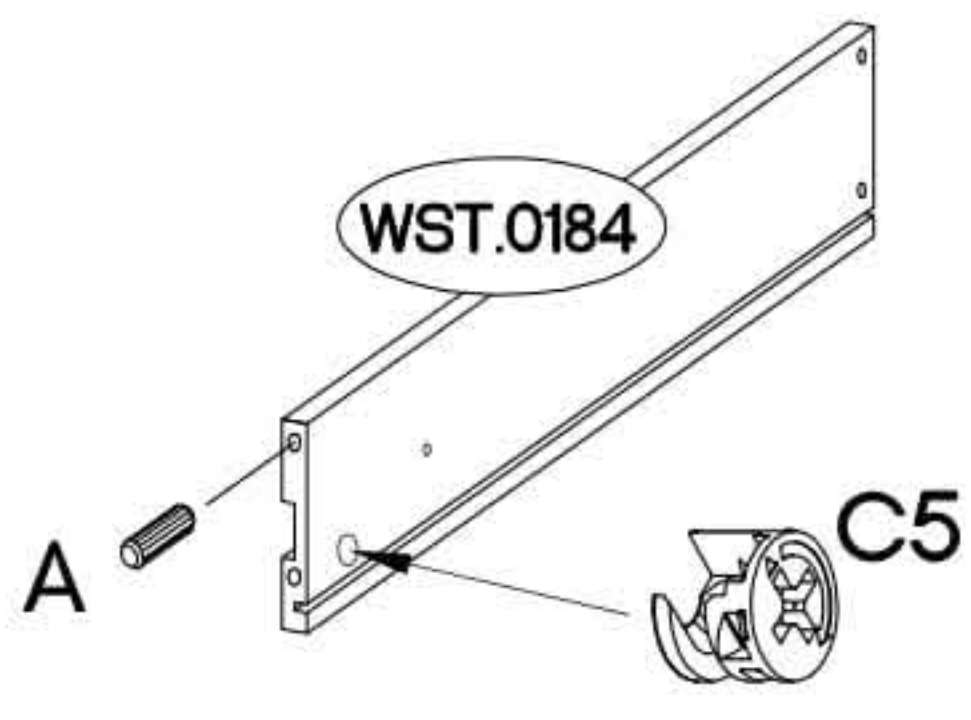
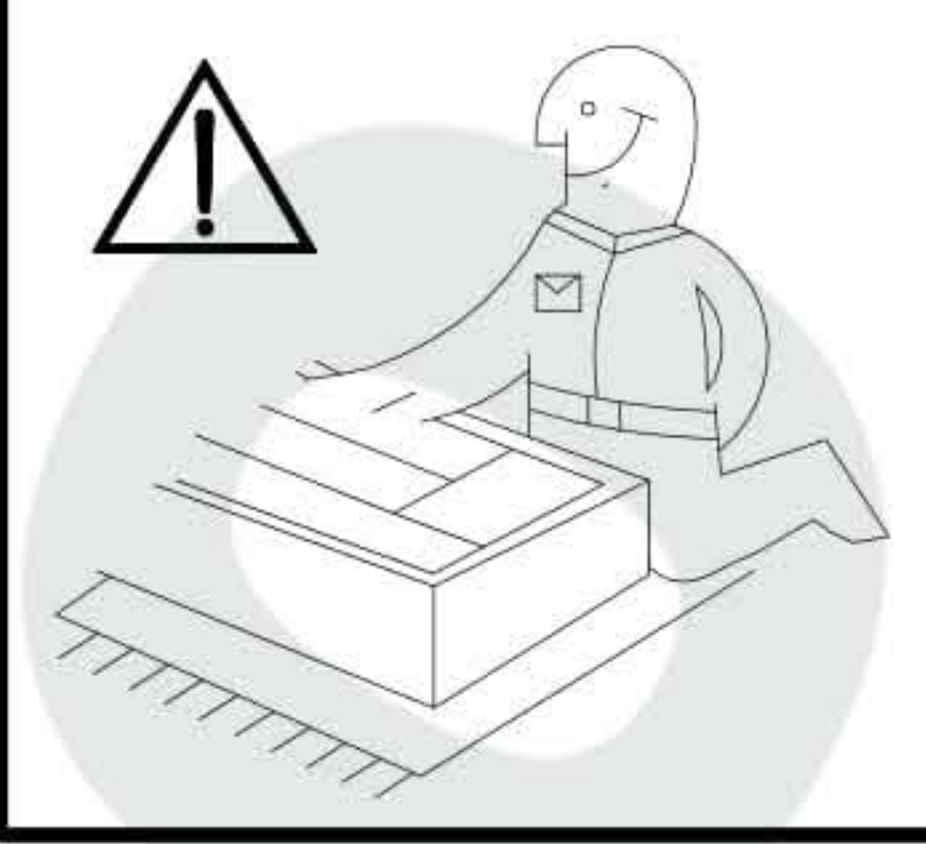
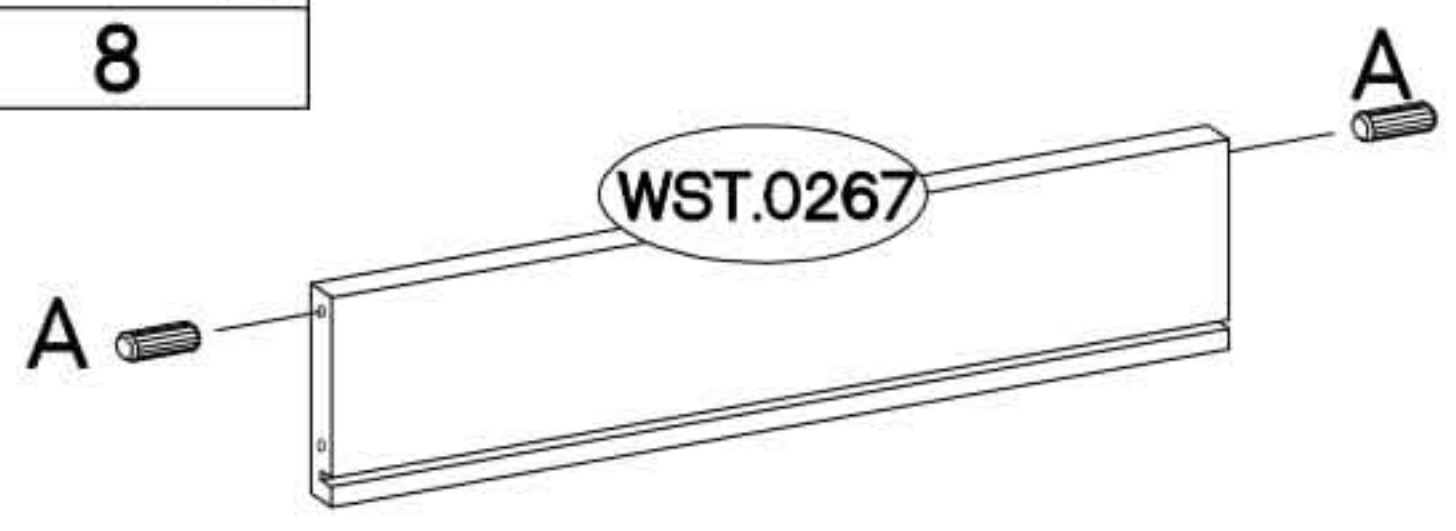
OSA.303



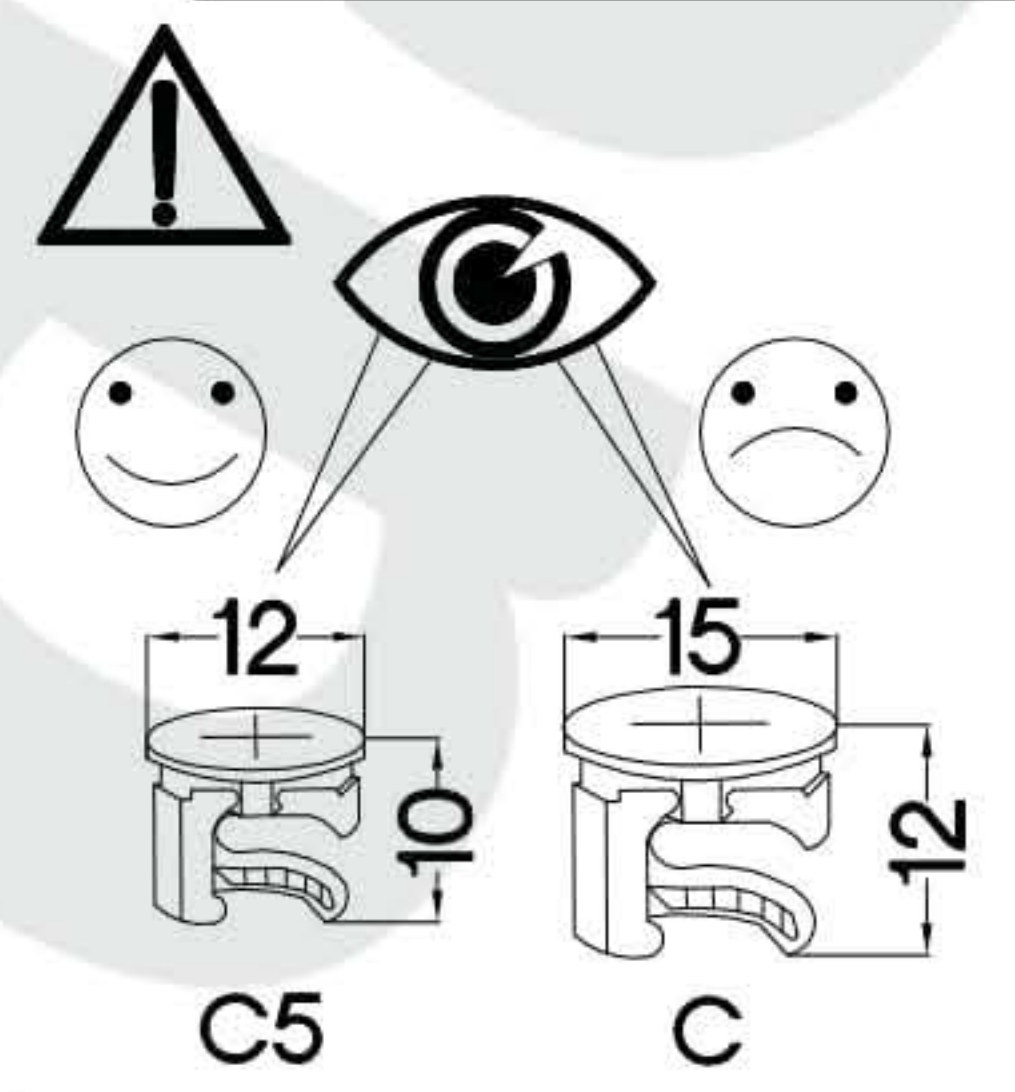
OSA.609

1

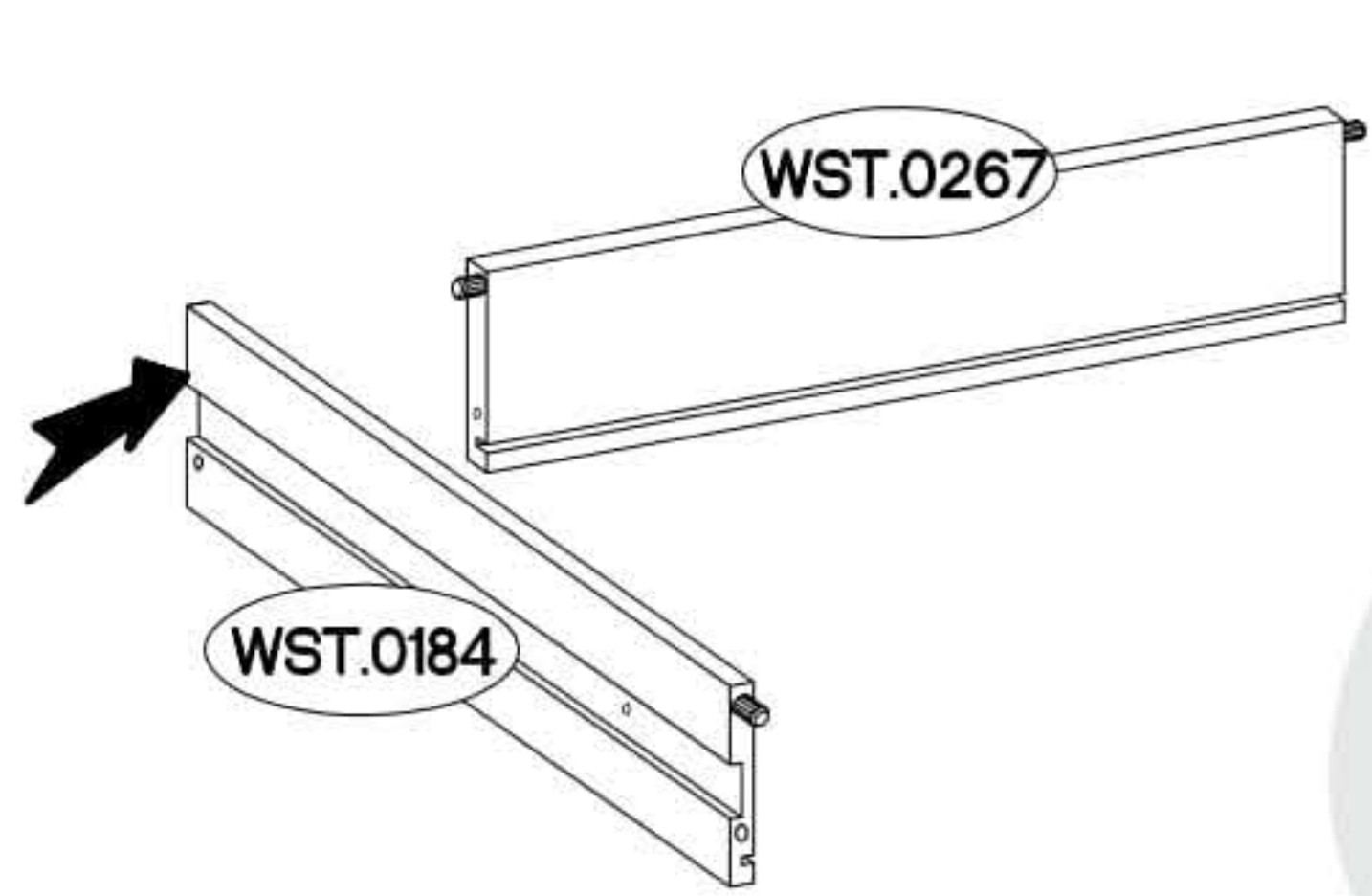
±12/10mm  C5 4	±8x30mm  A 8
---	---




x2

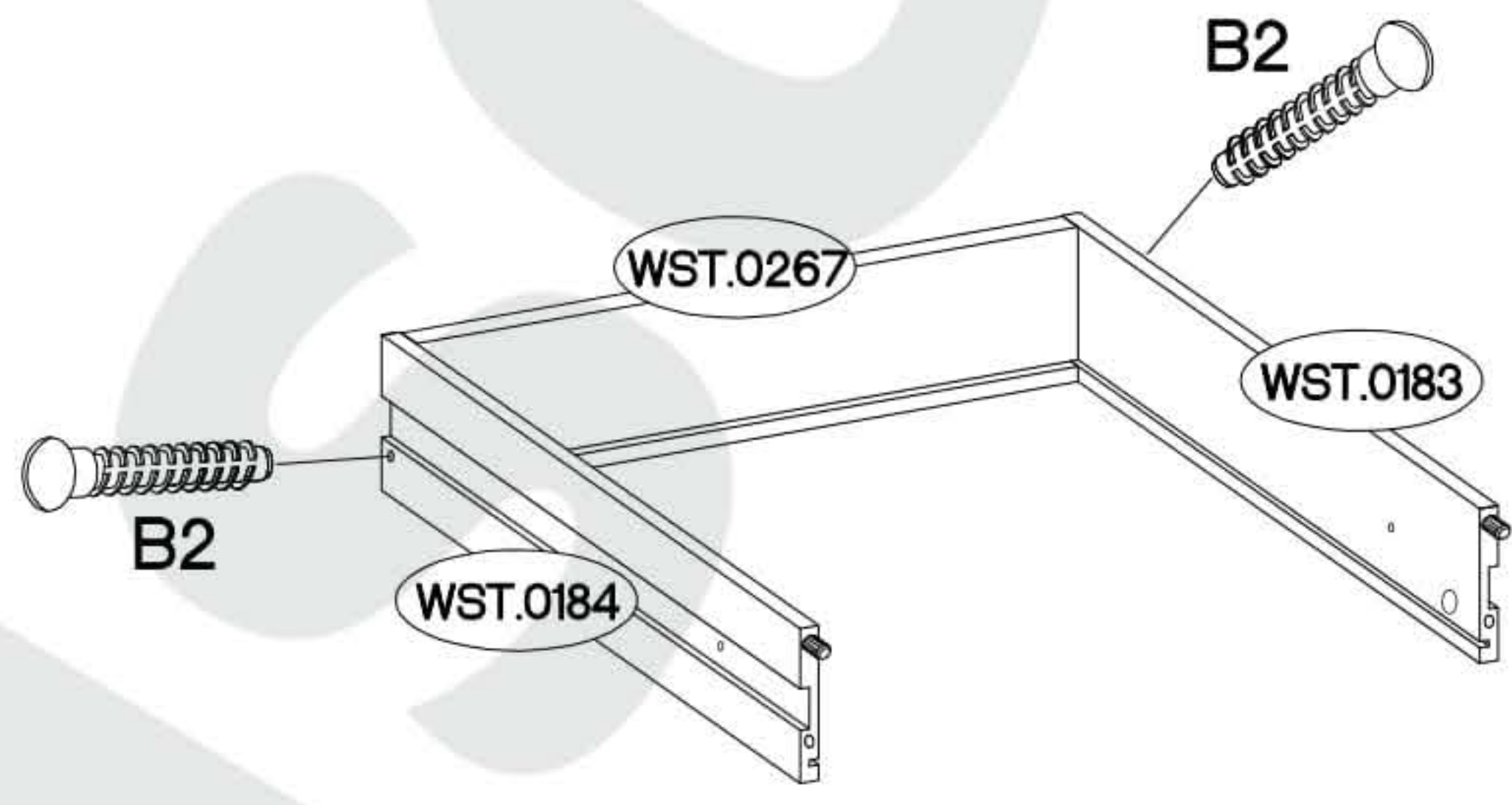
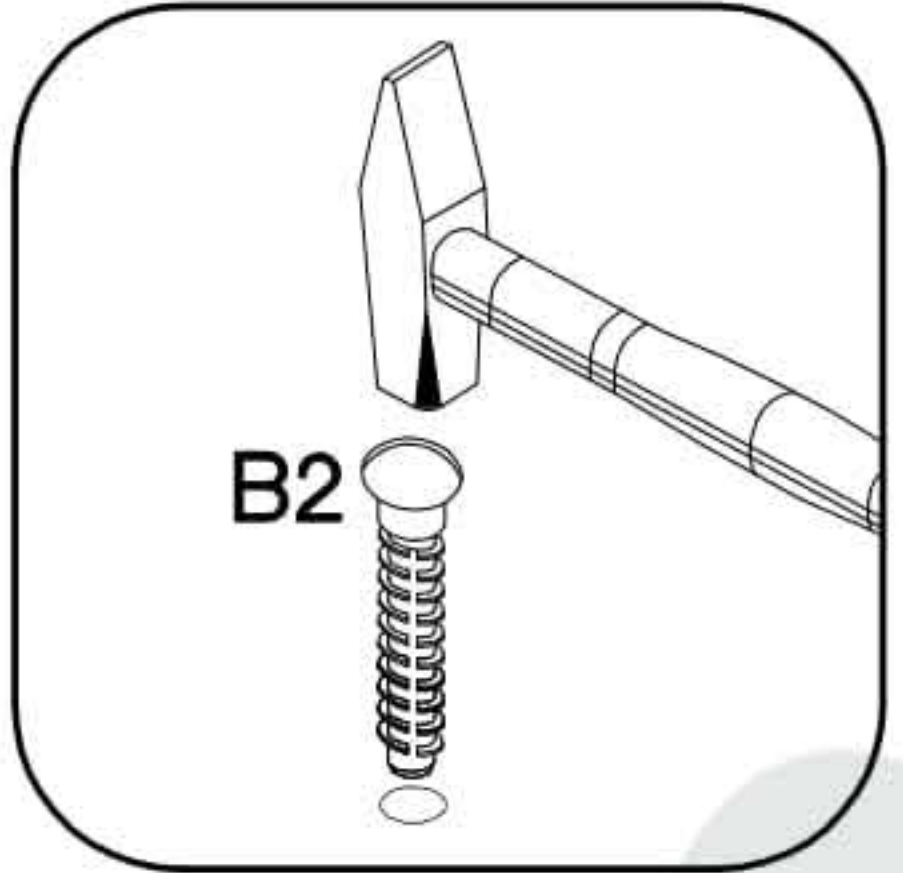


2



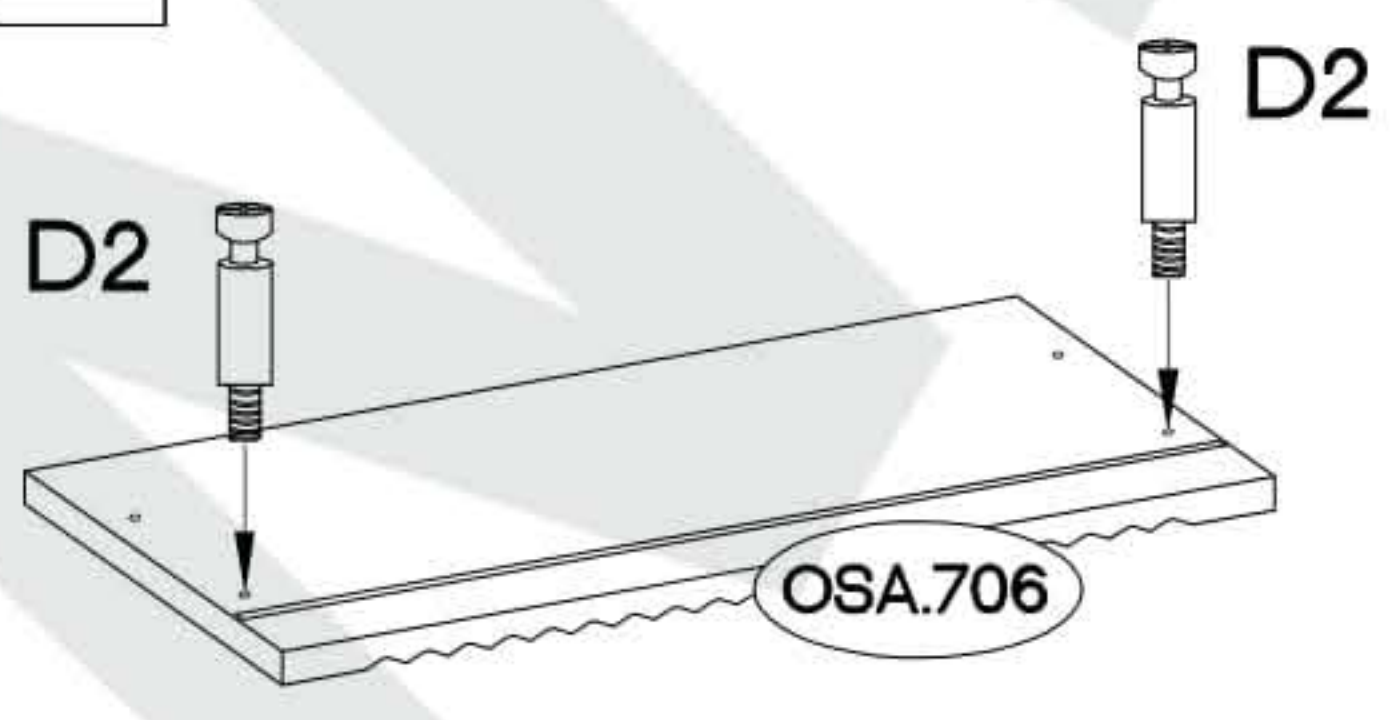
x2

±6x42mm  B2 4



3

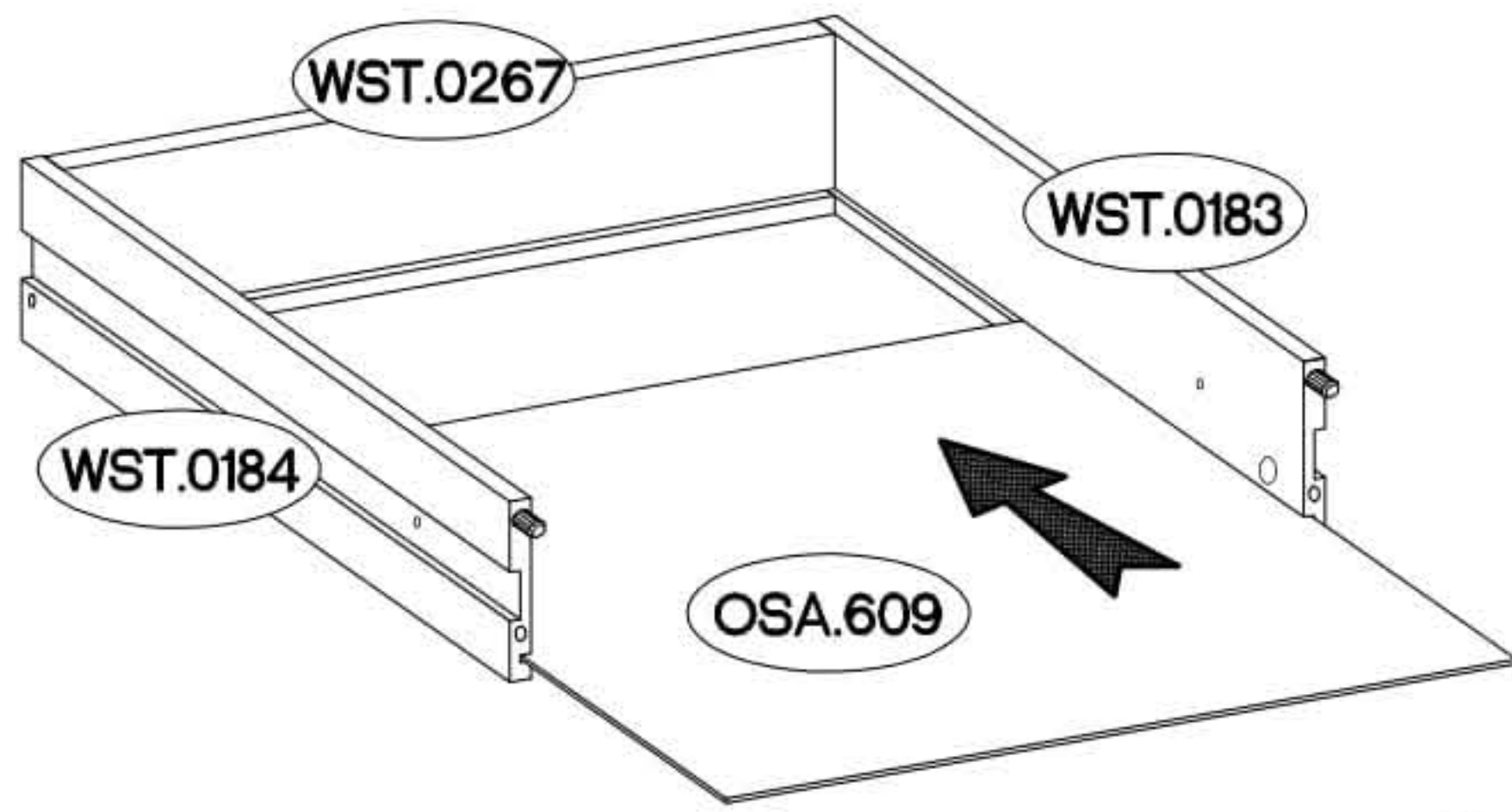
L=20mm  D2 4
--



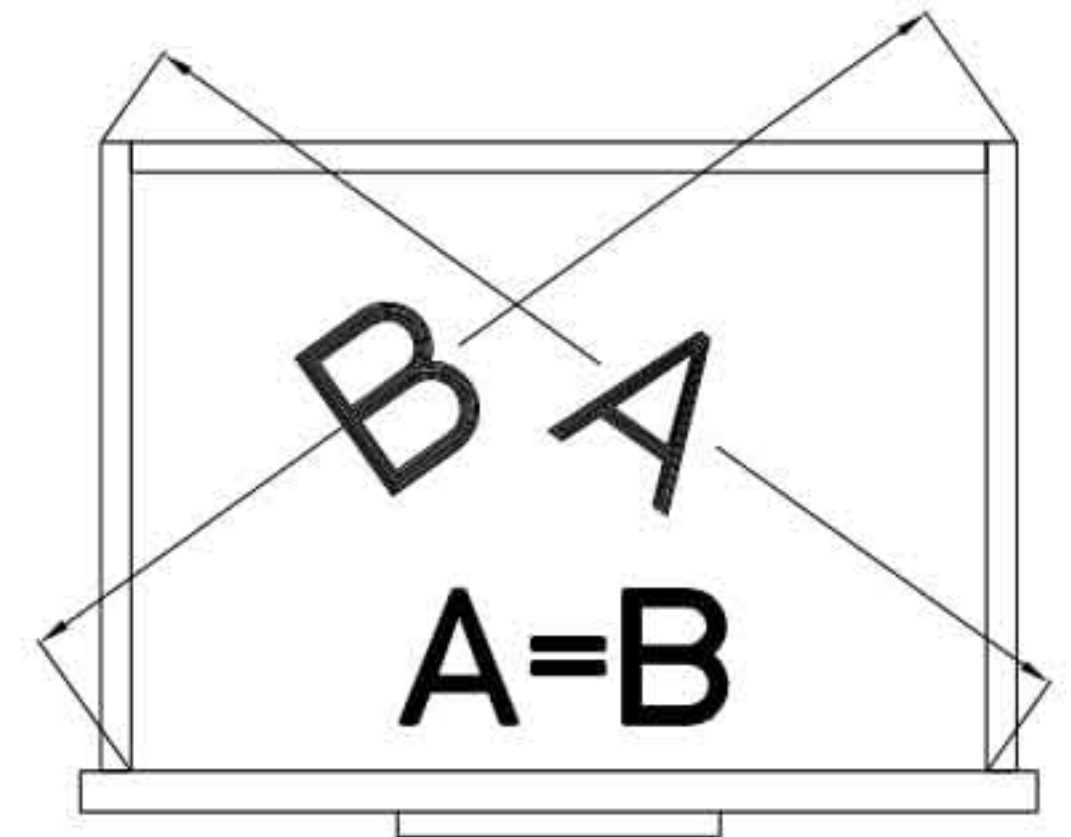
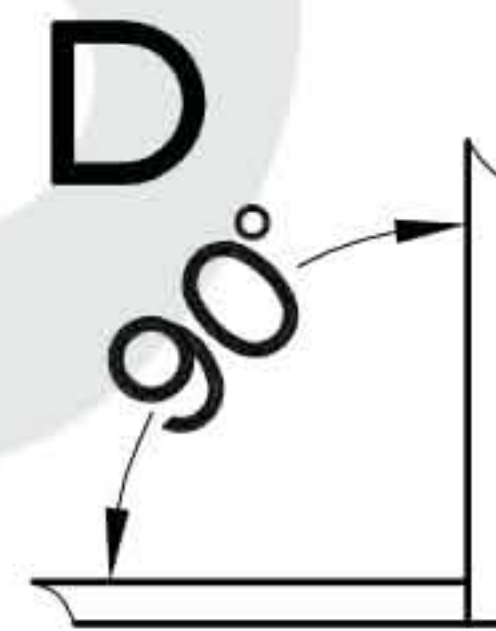
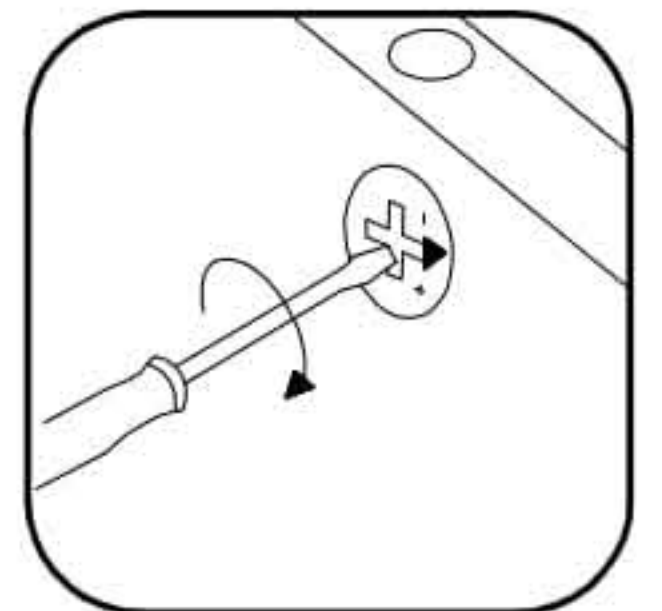
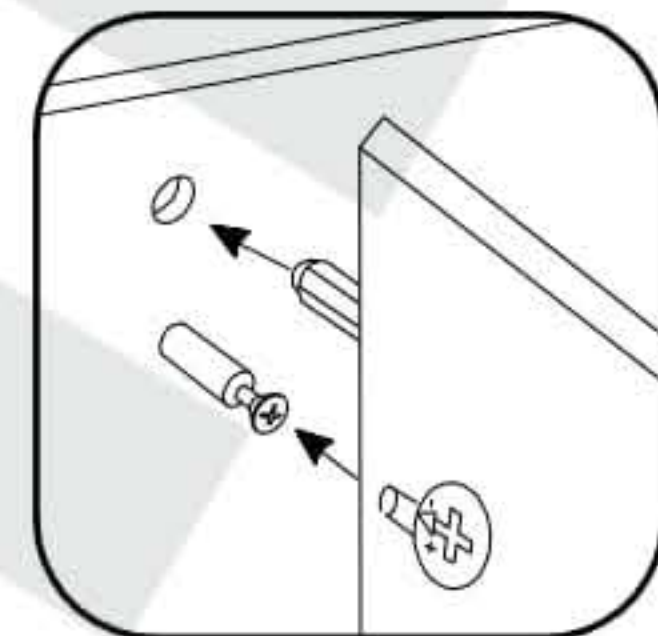
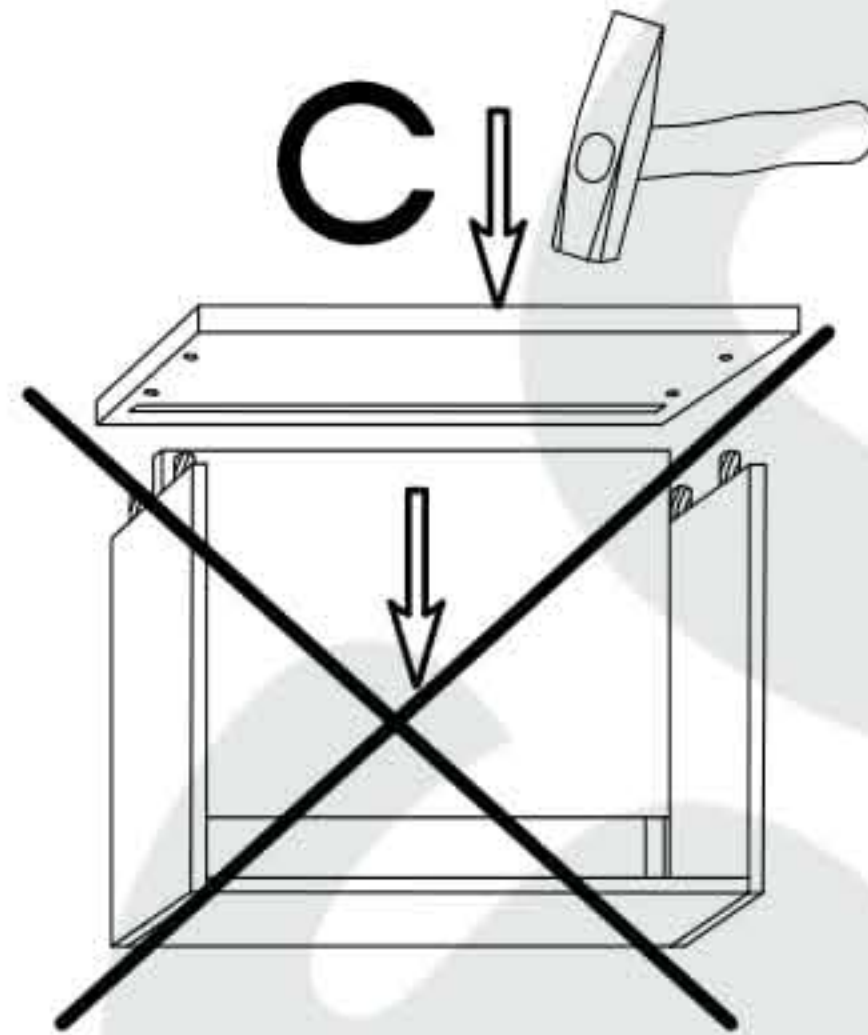
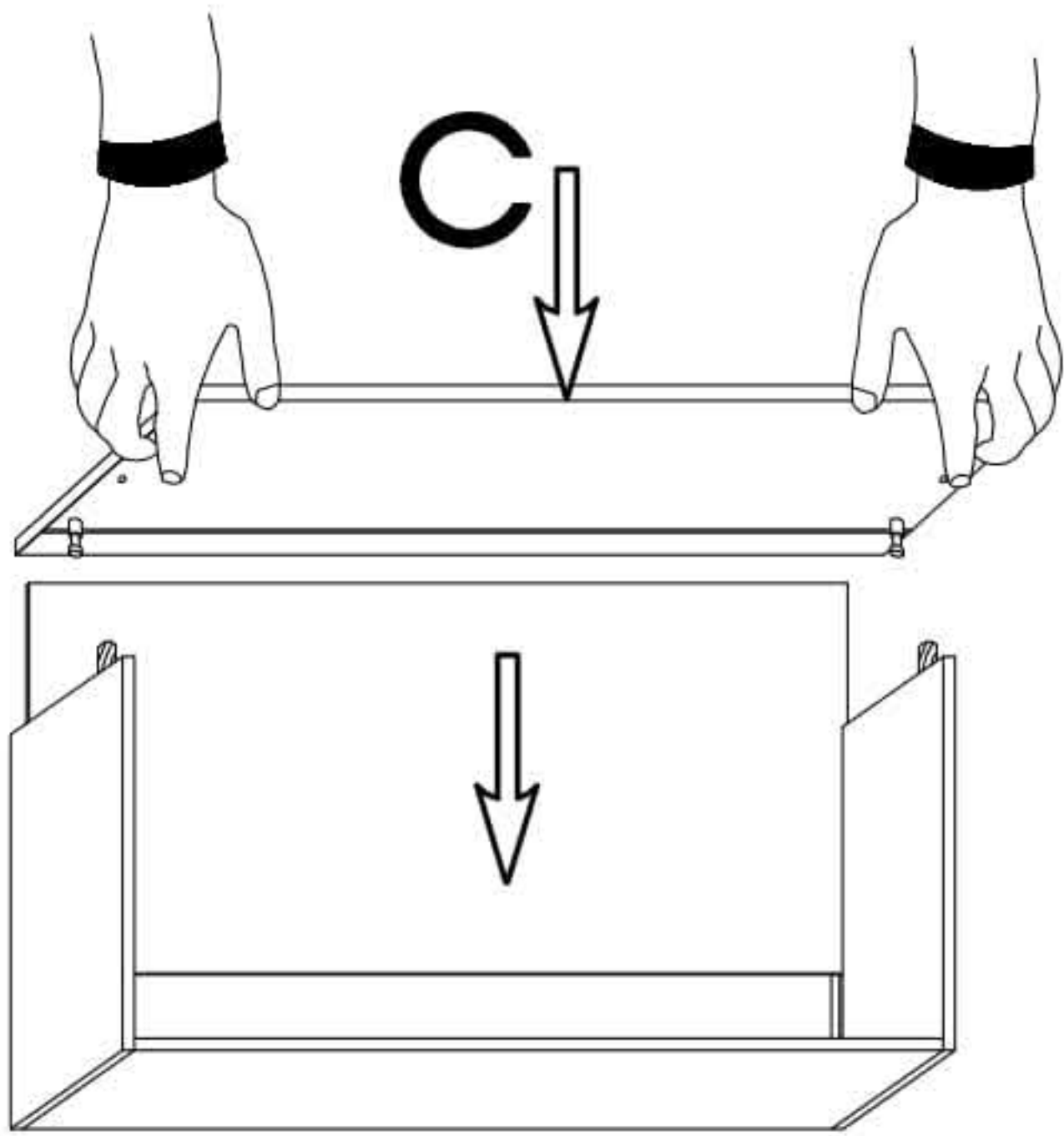
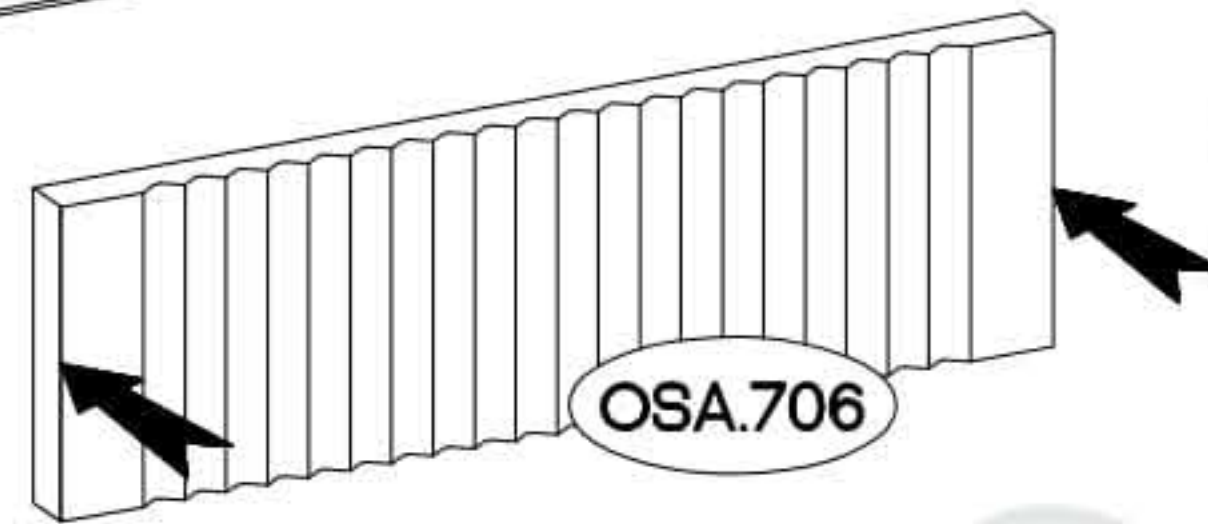
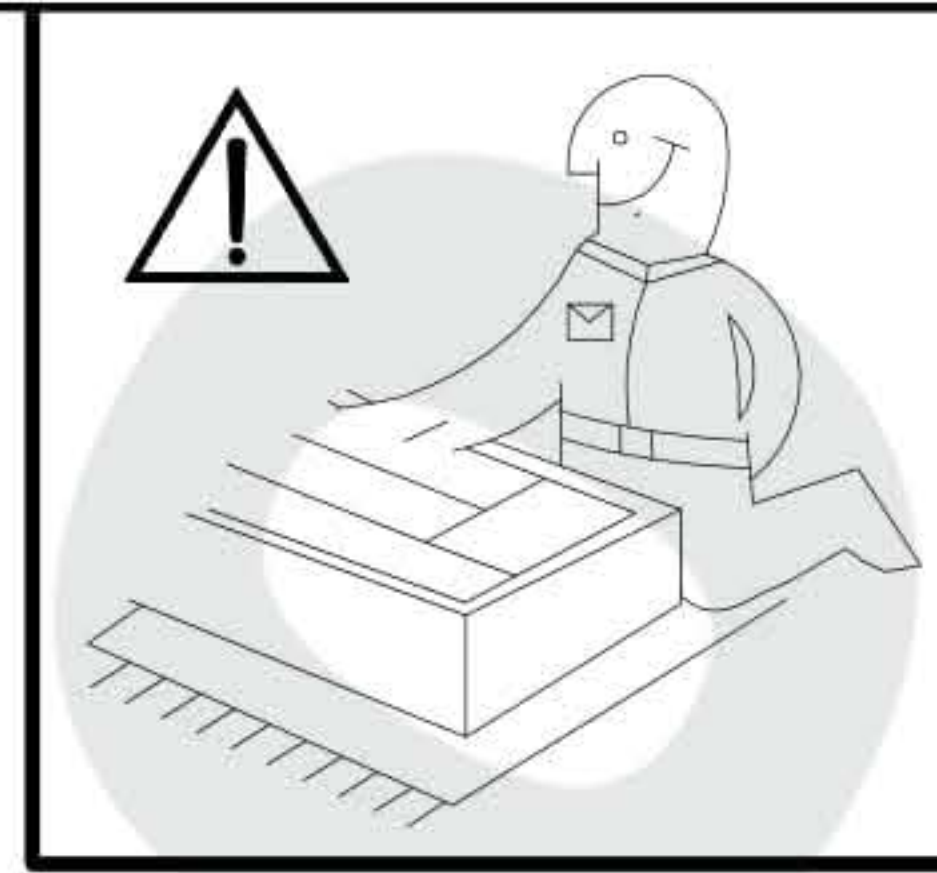
x2



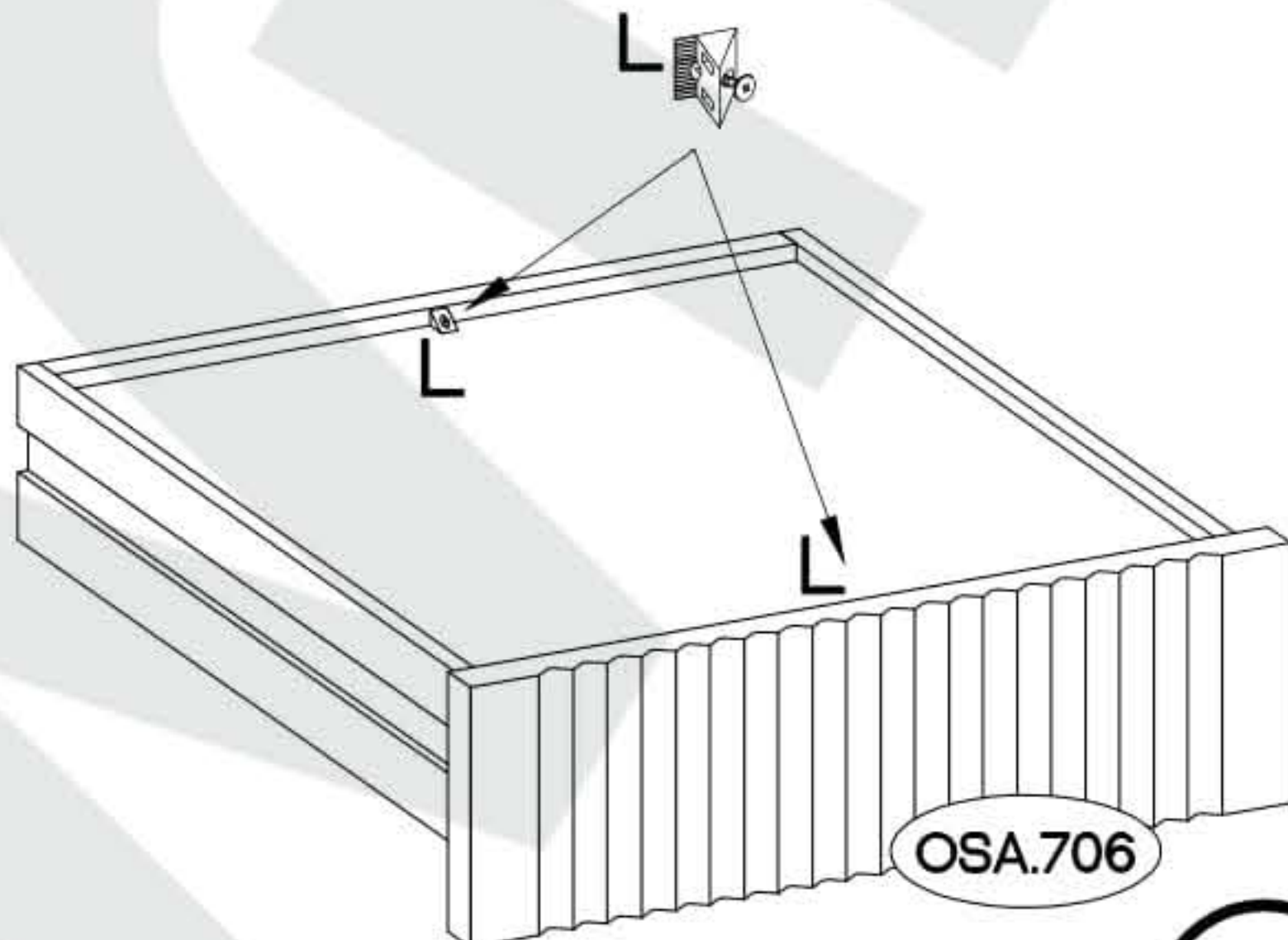
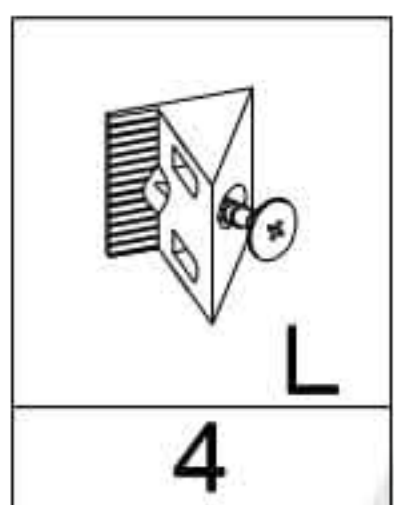
4



x2

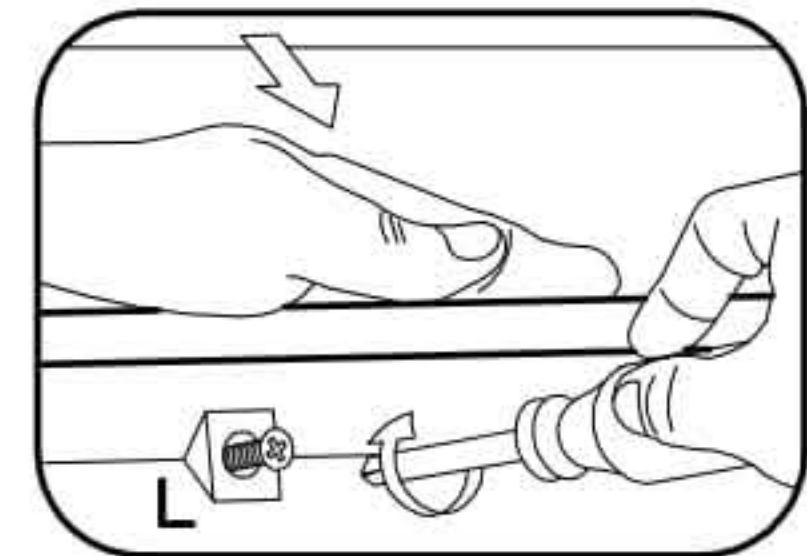
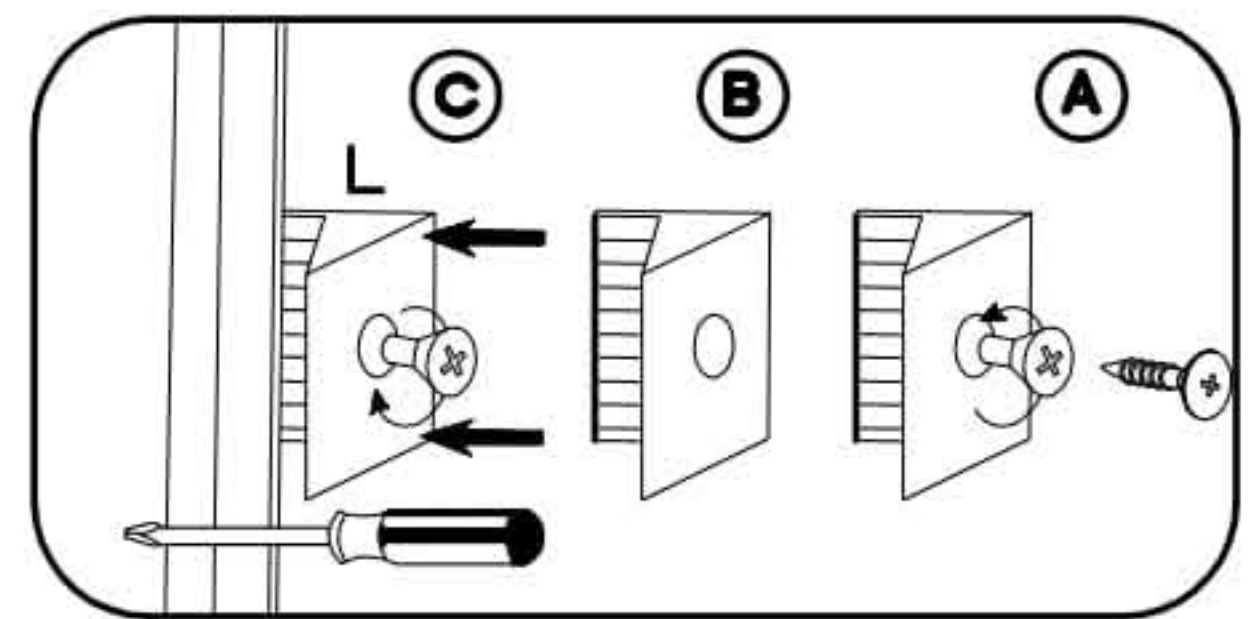


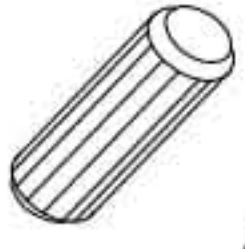


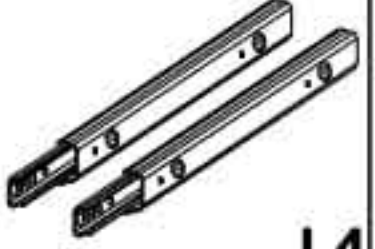


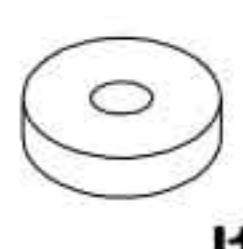
5

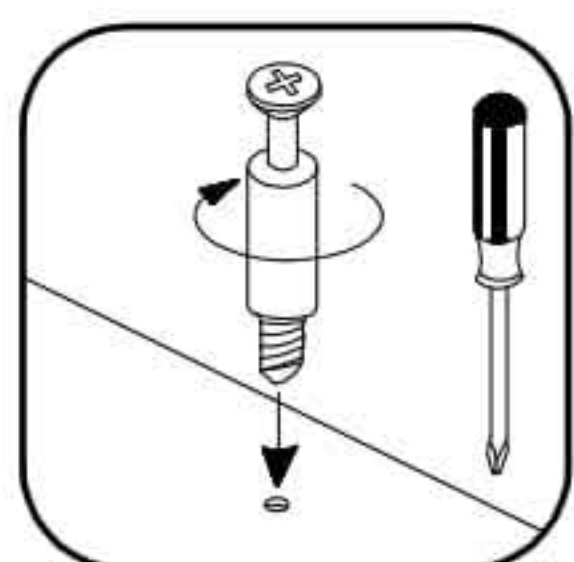
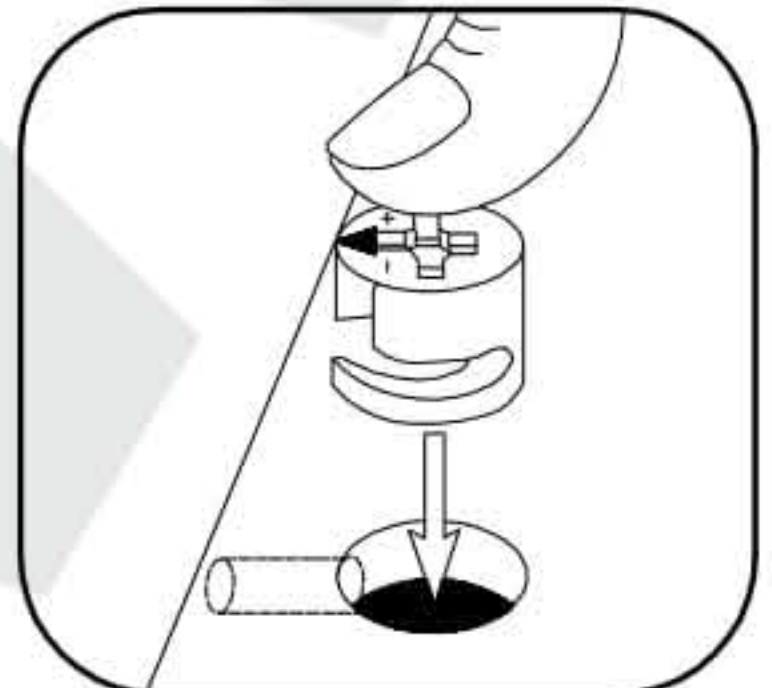
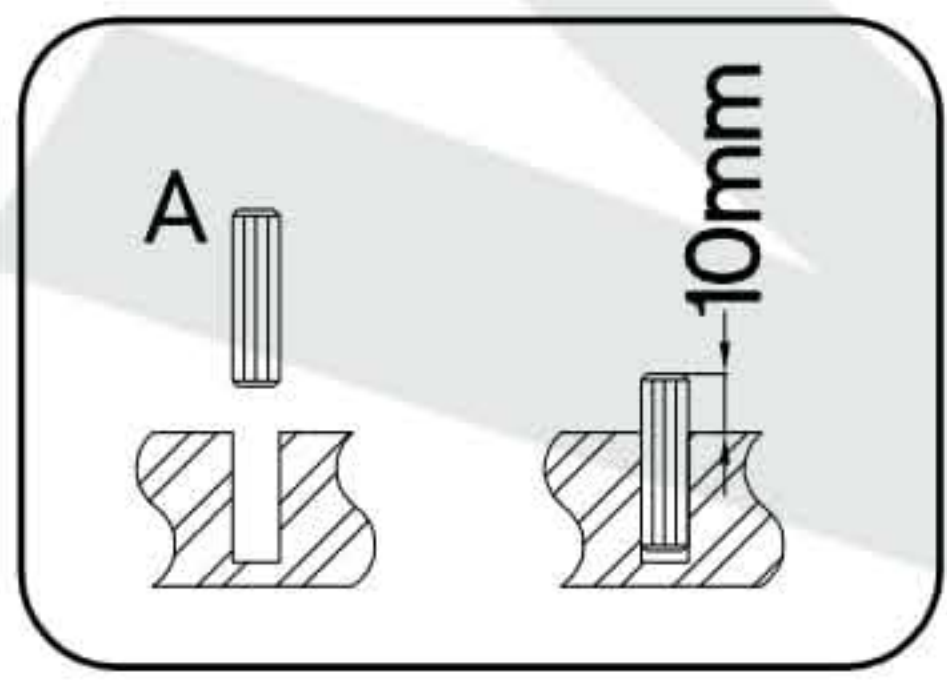
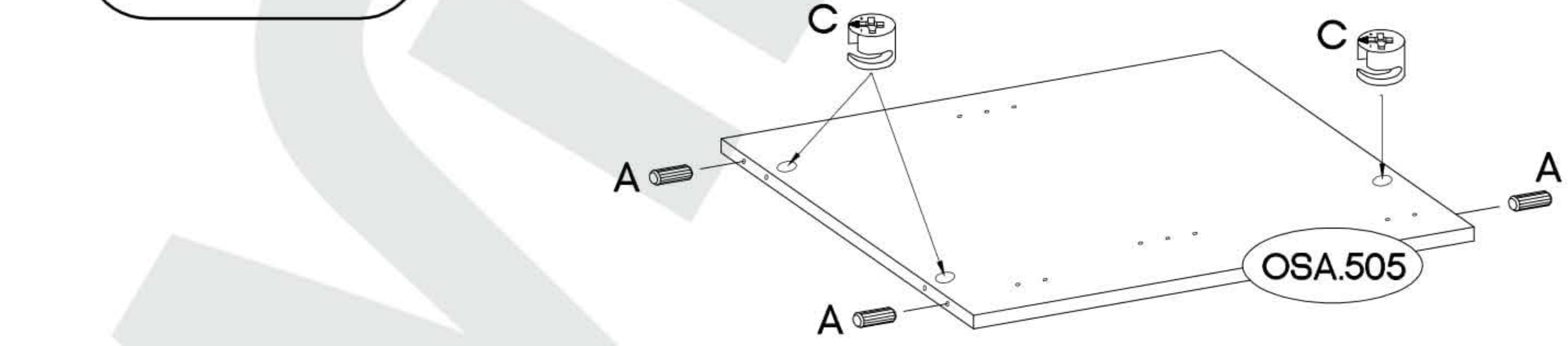
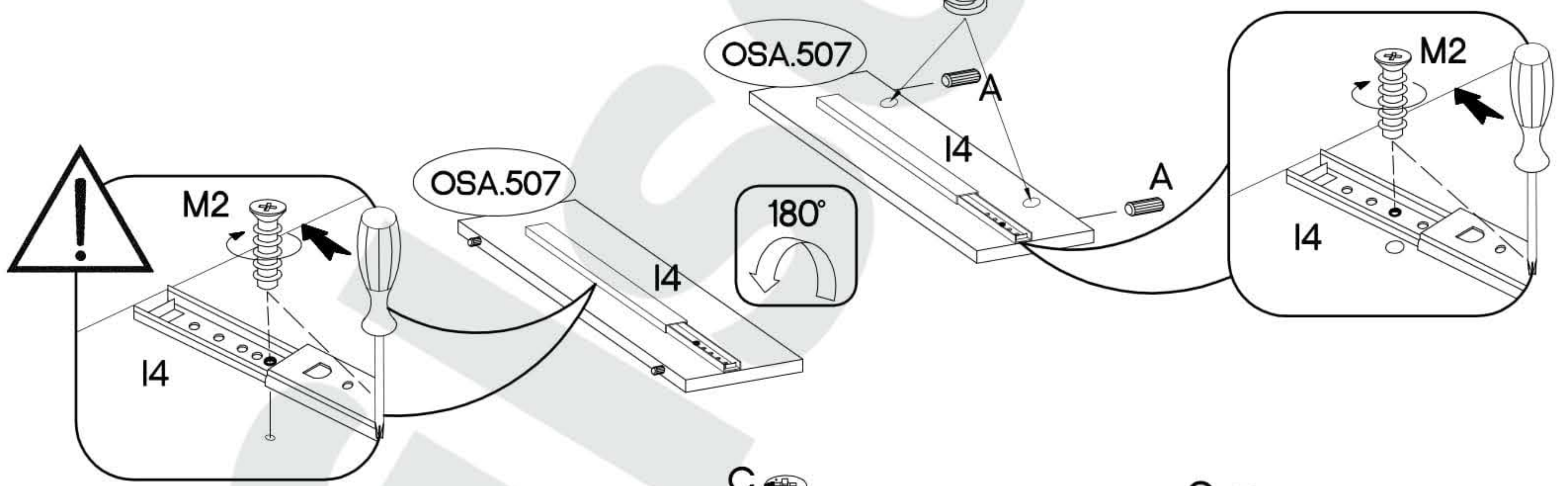
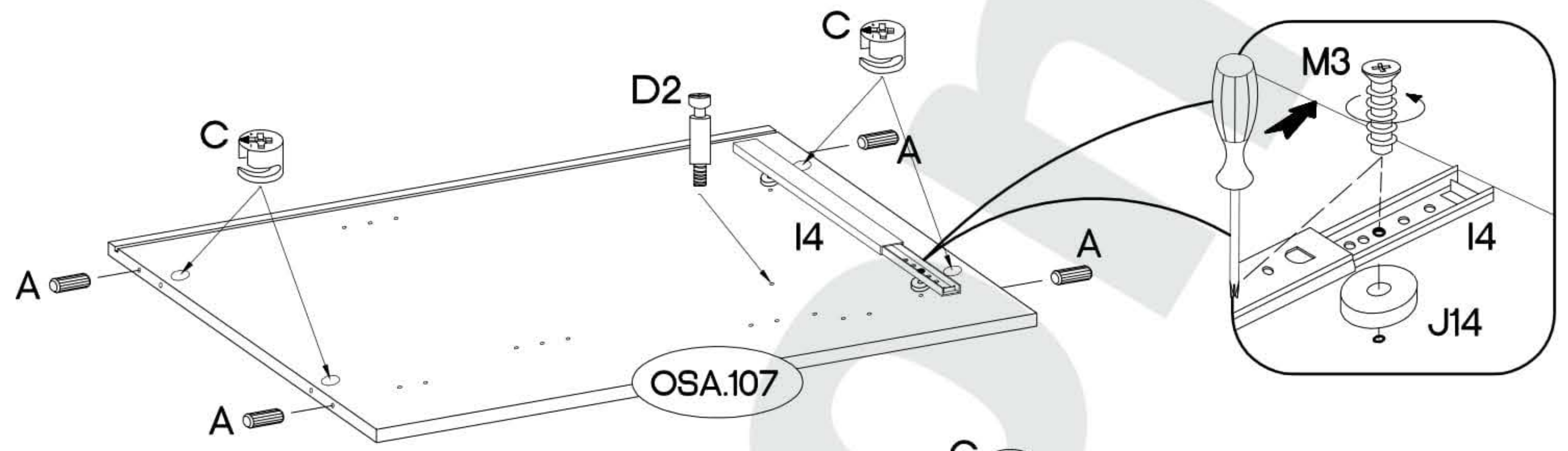
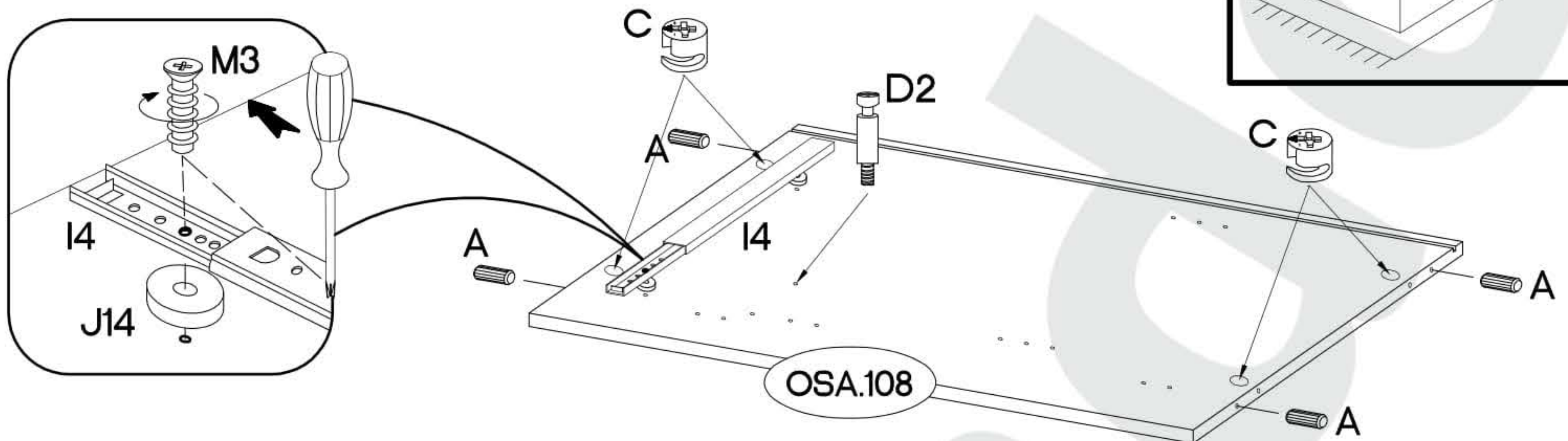
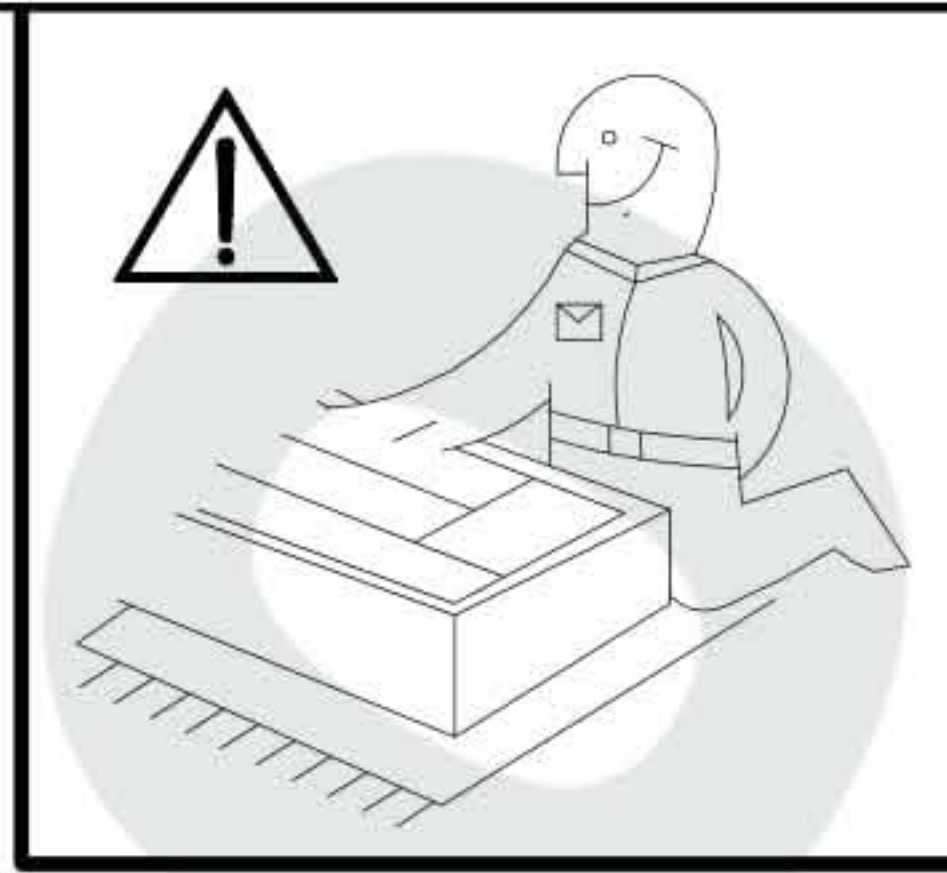


OSA.706


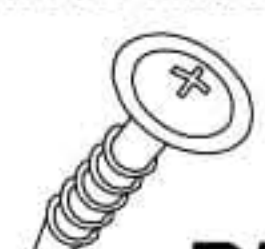

x2

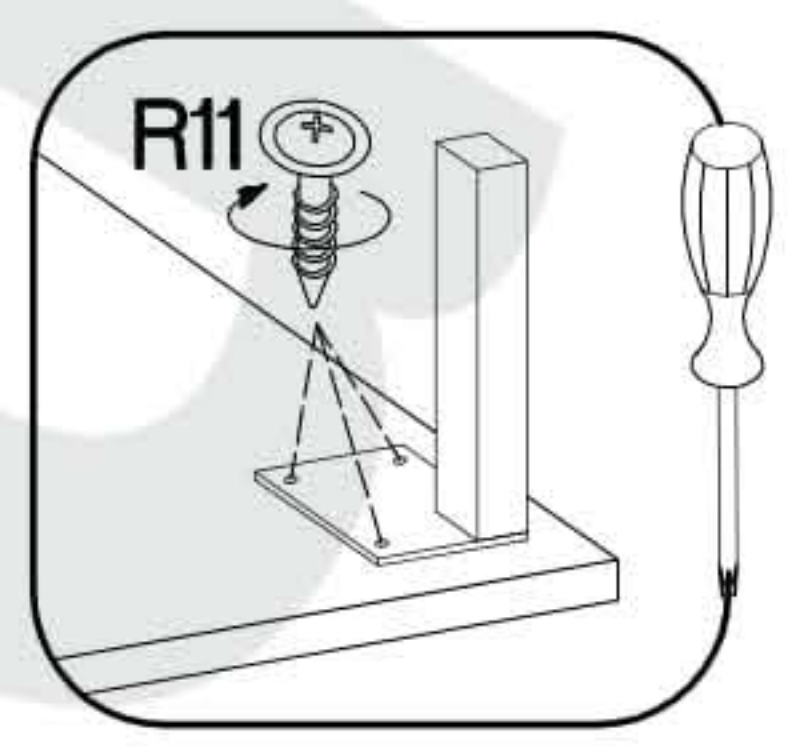
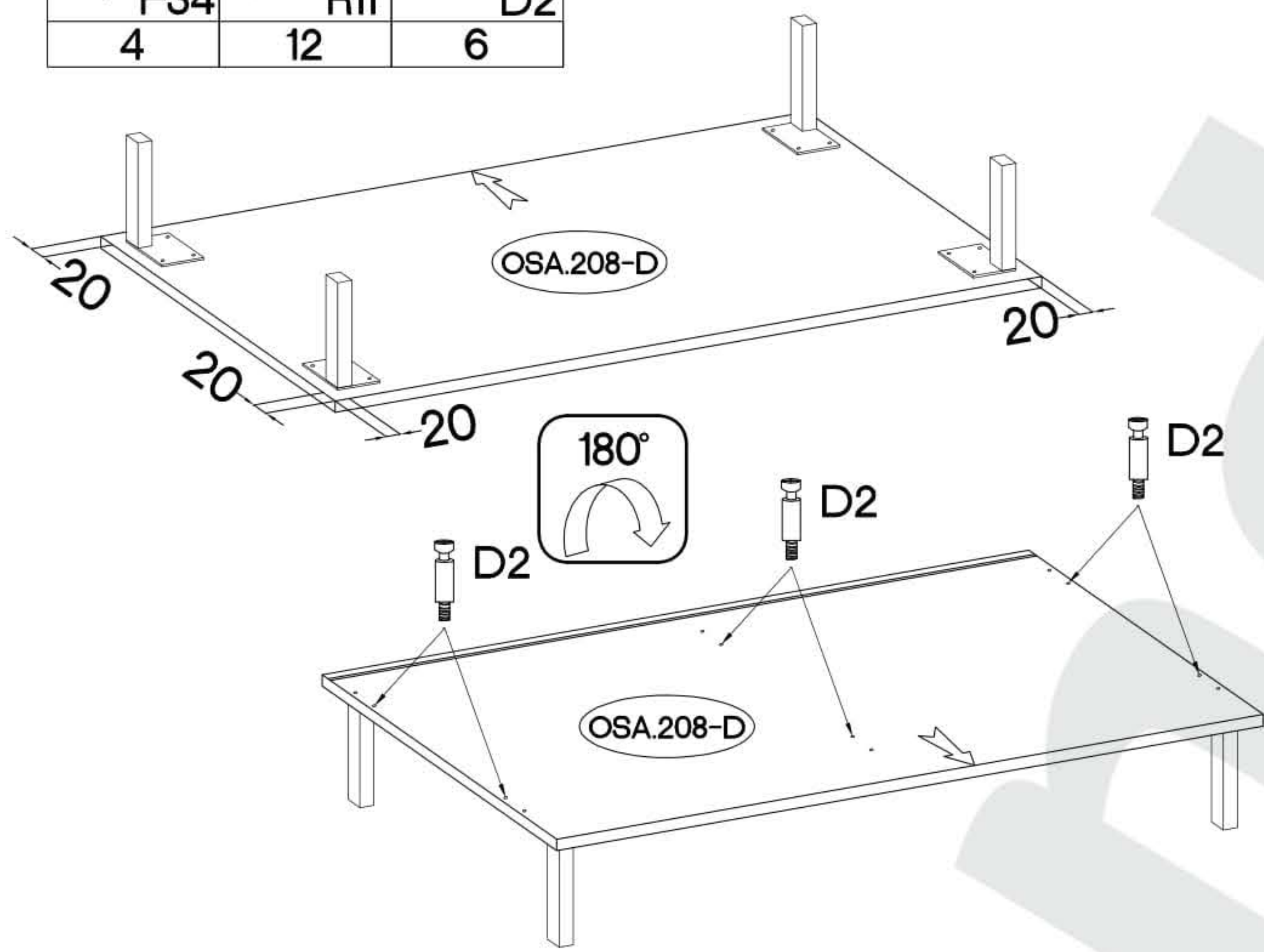
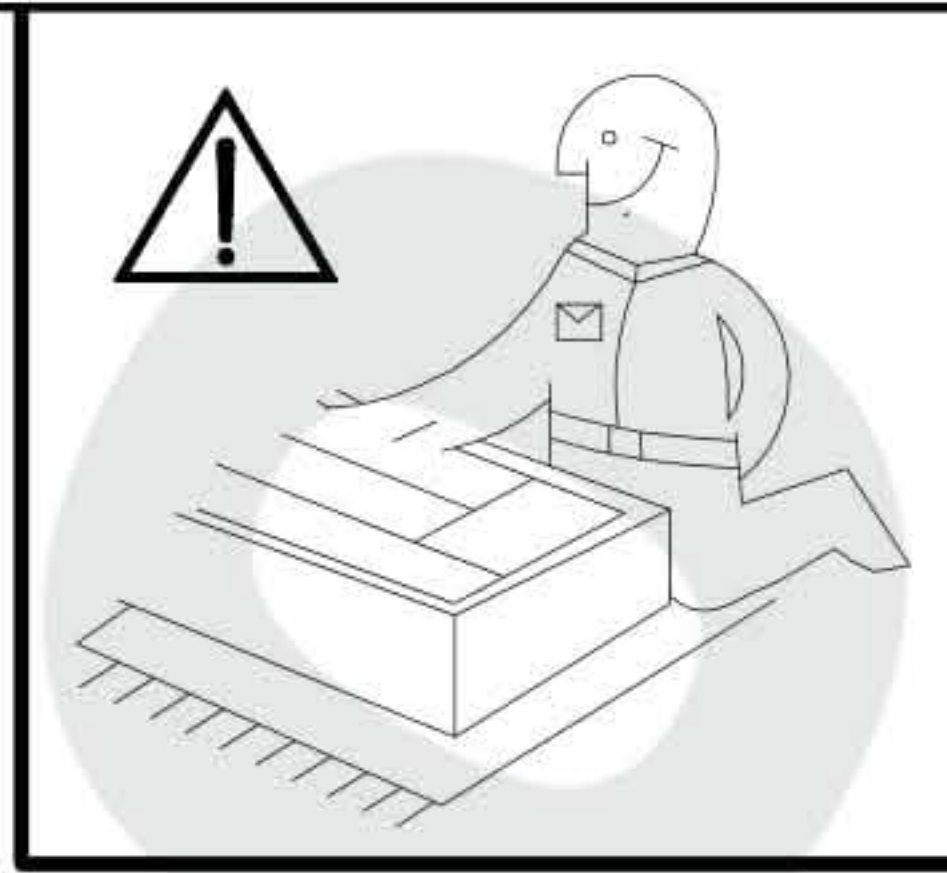


†8x30mm  A 13	†15/12mm  C 13	L=20mm  D2 2	27/310mm  I4 2	†6,3x13mm  M2 4	†6.3x20mm  M3 4	†20/8mm  J14 4
--	---	---	---	---	--	---

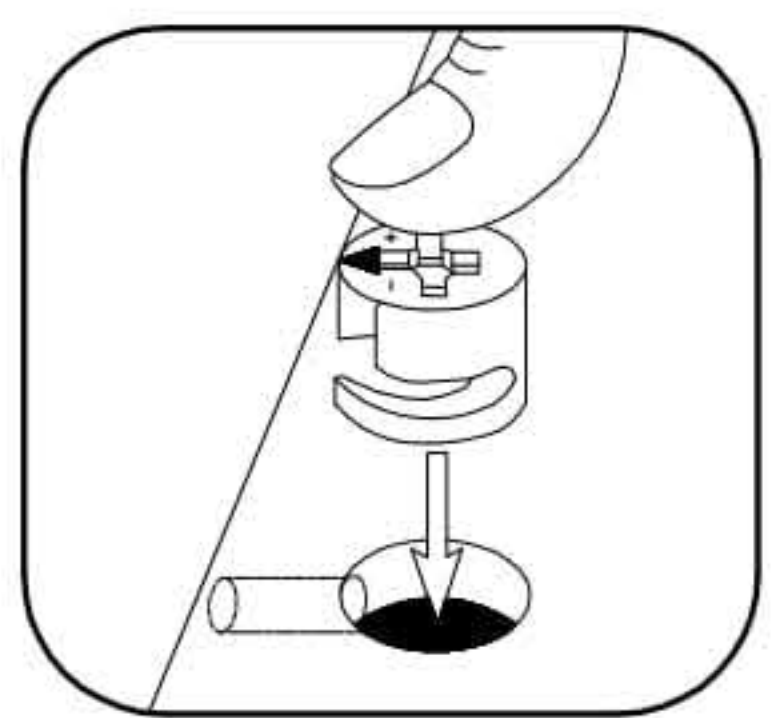
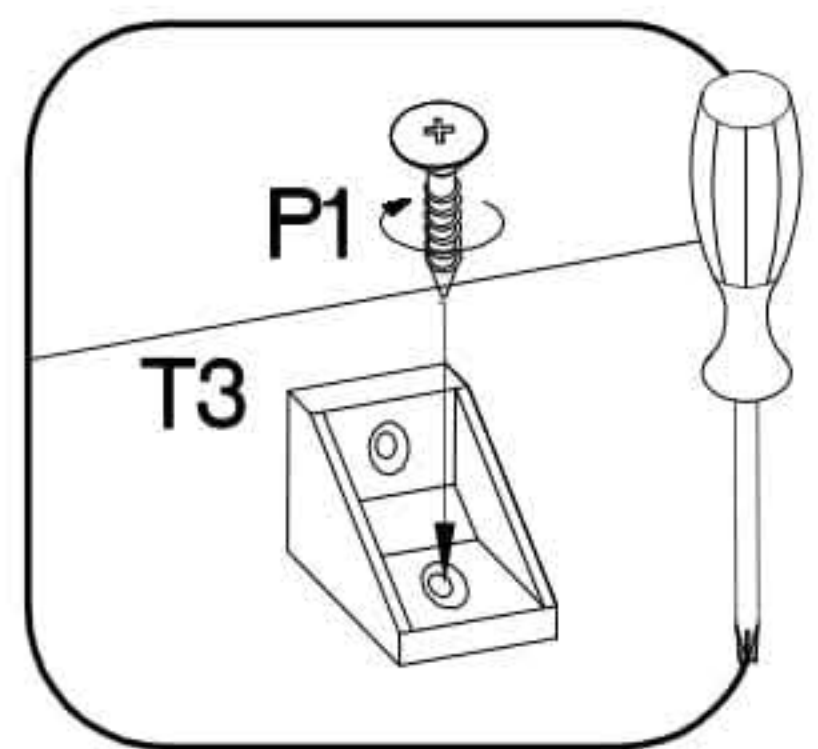
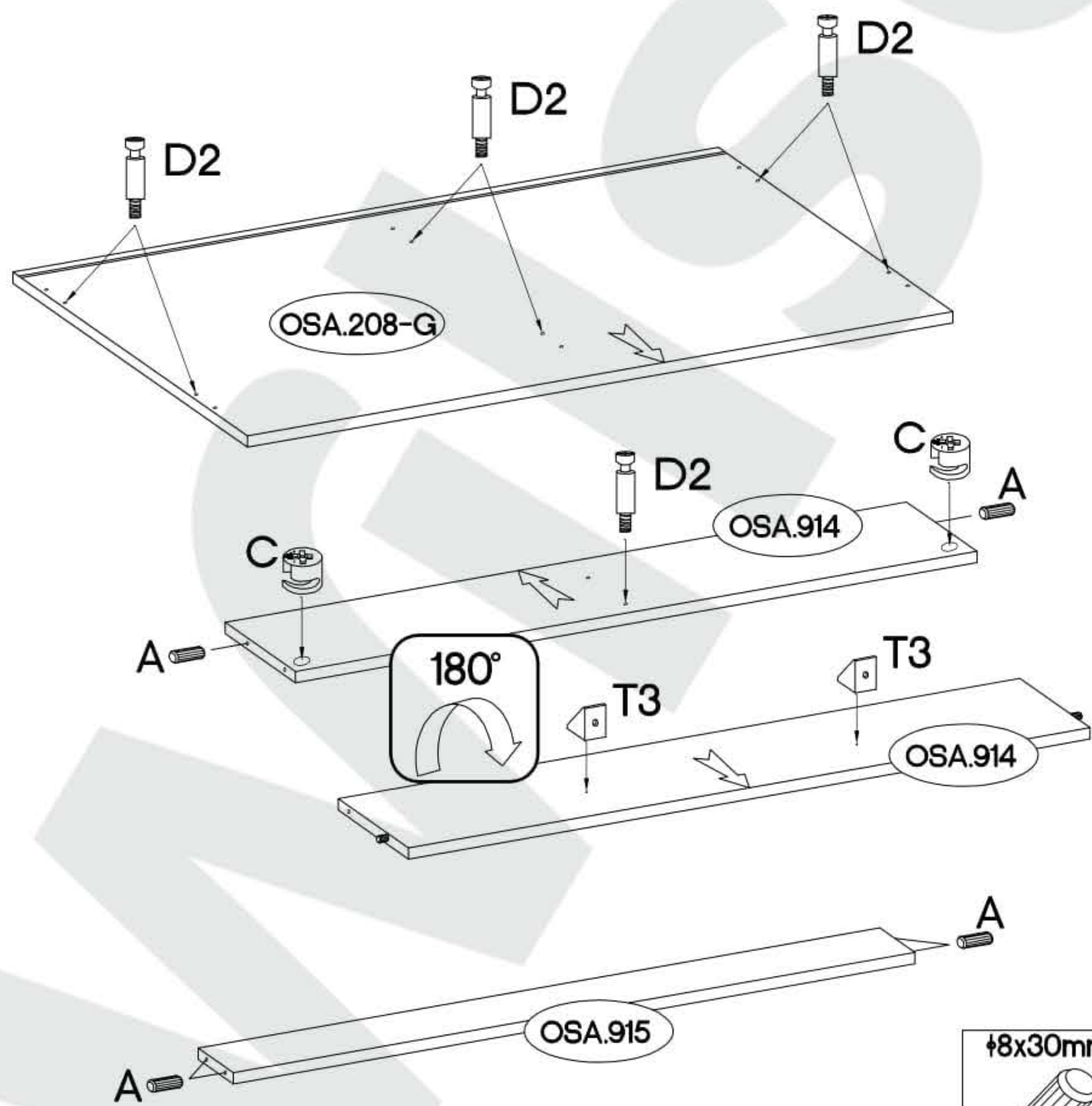
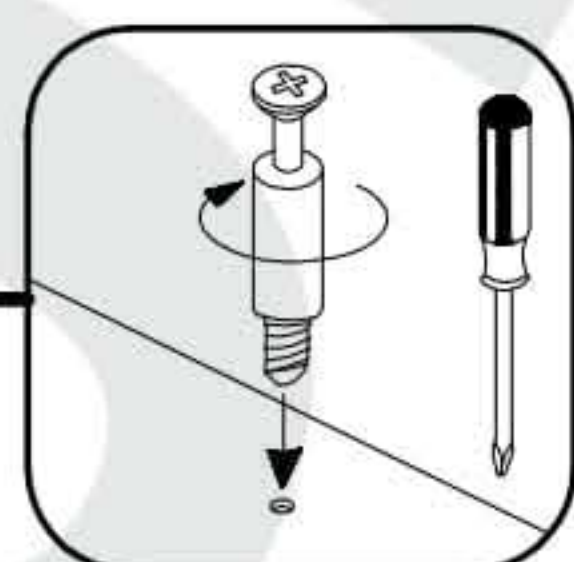
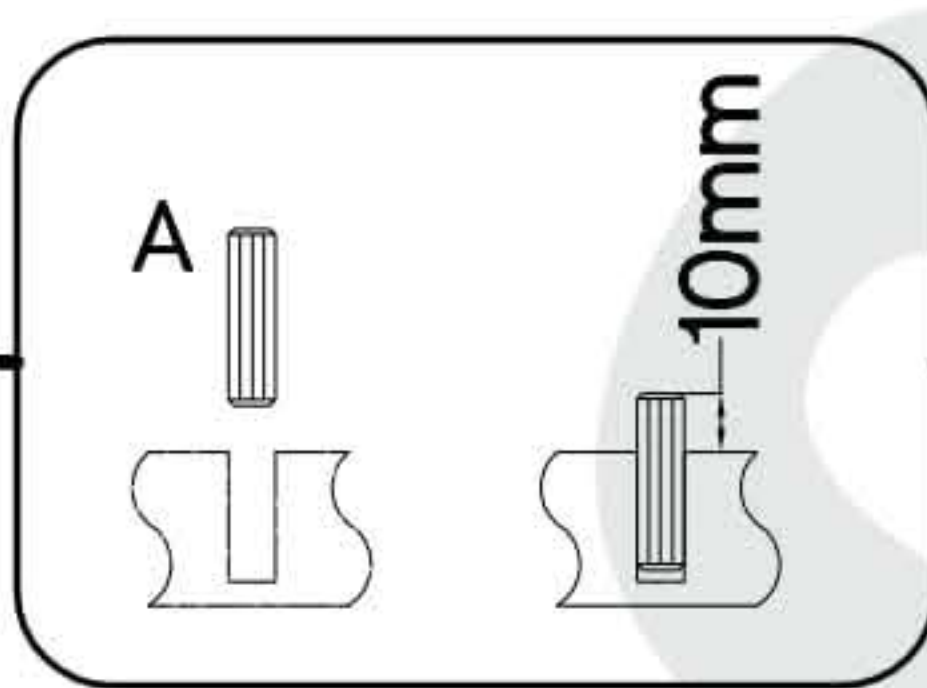





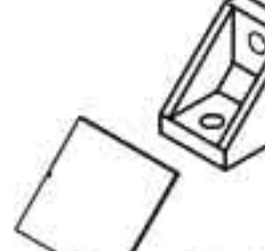

7

L=150mm  F34 4	±4.0x16mm  R11 12	L=20mm  D2 6
---	--	---

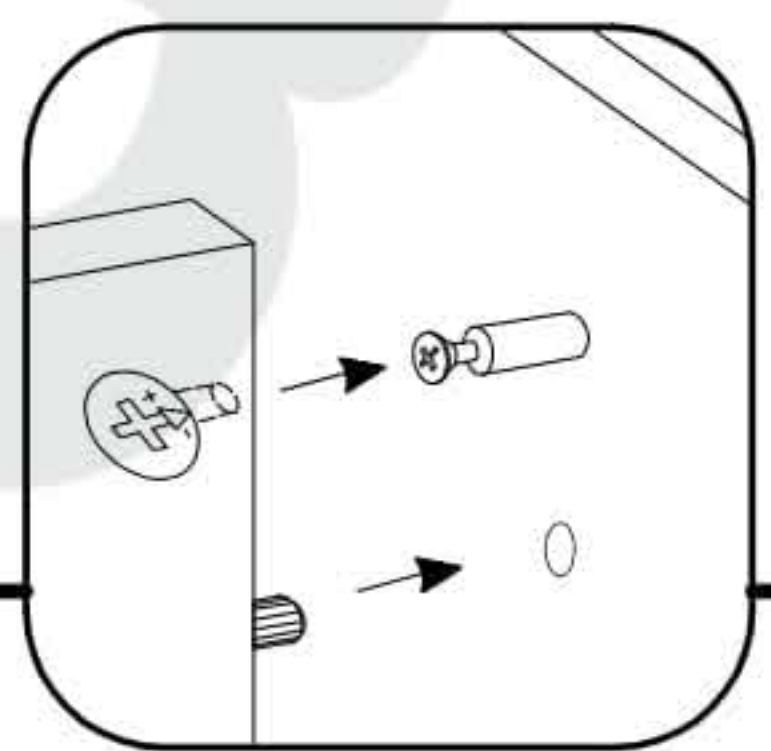
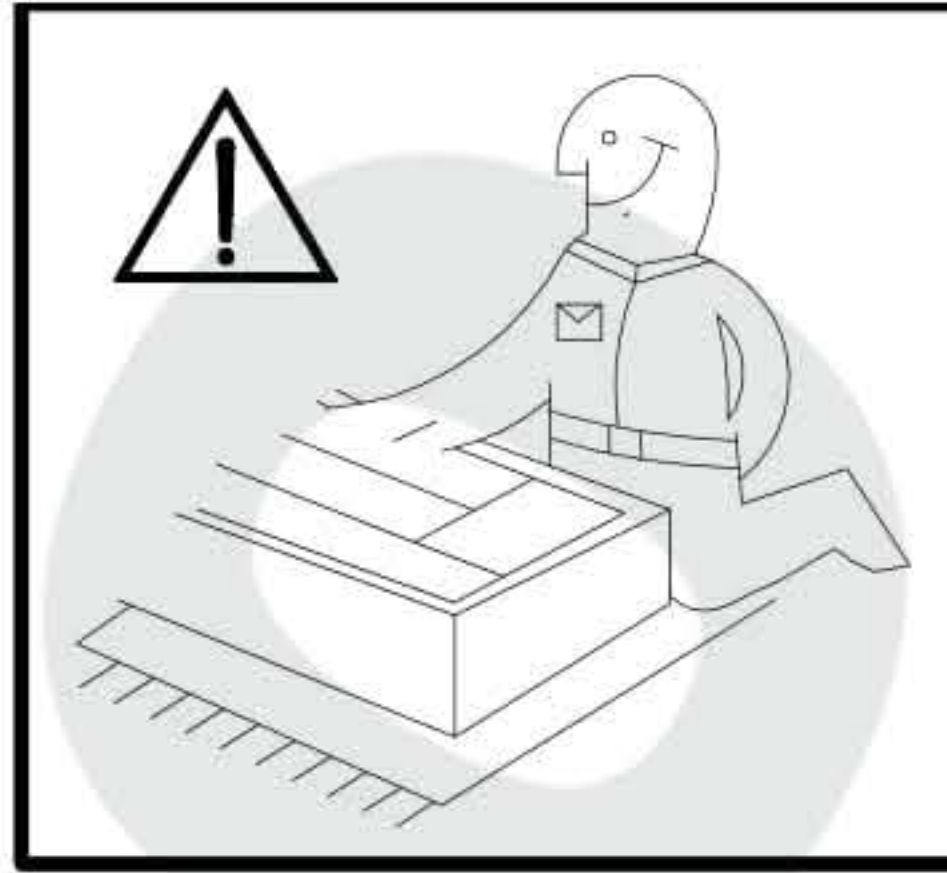
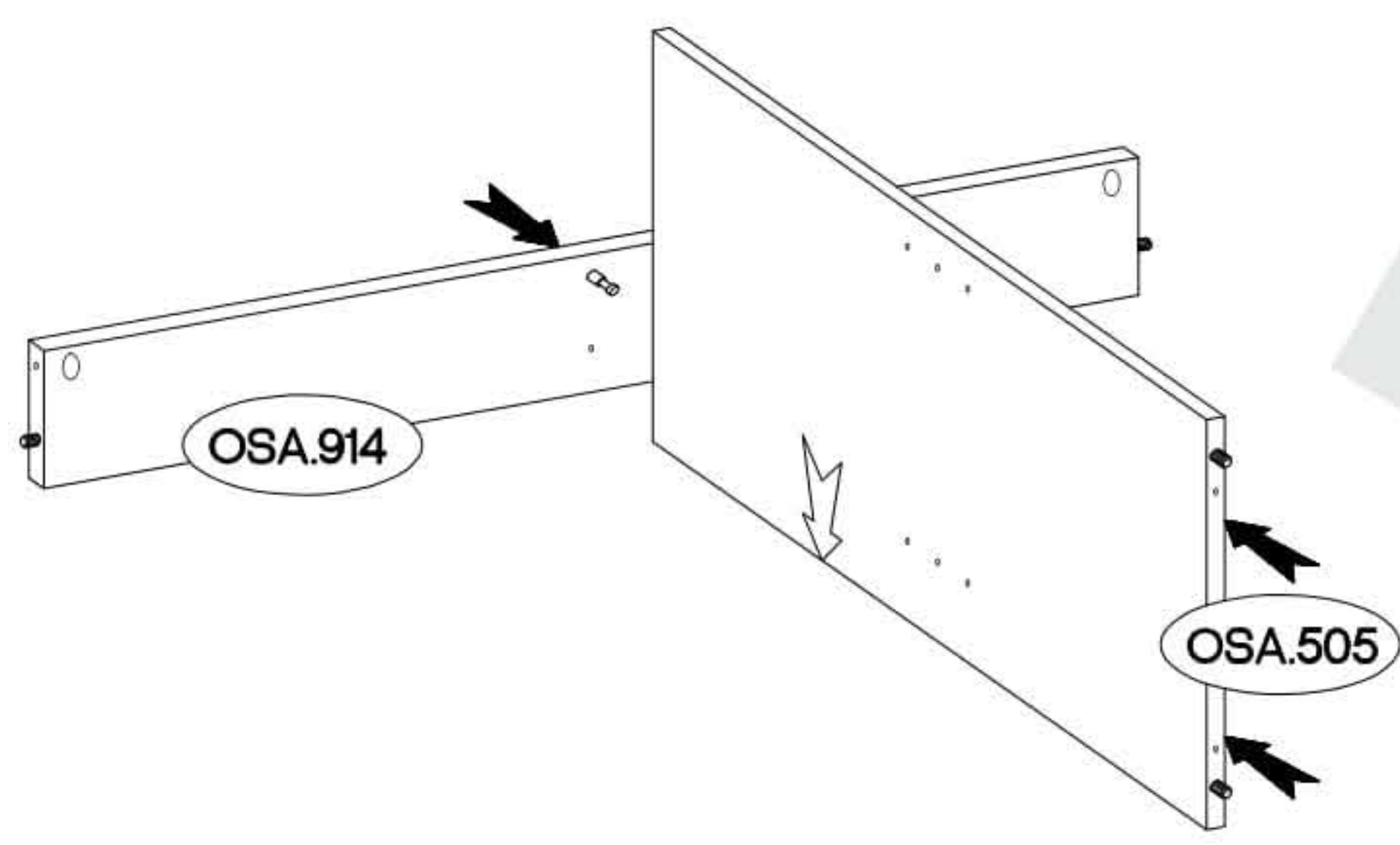


8

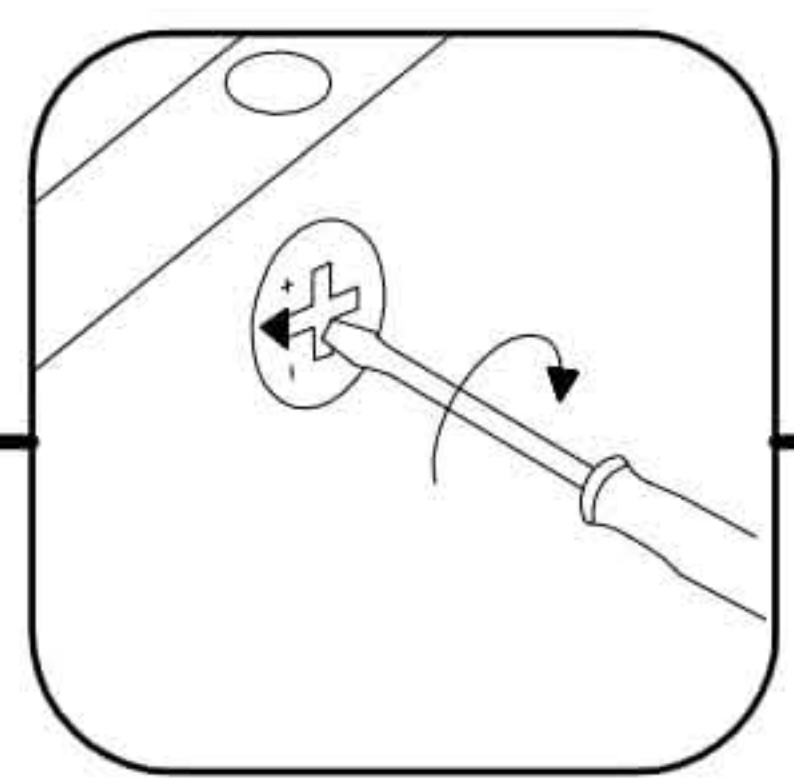
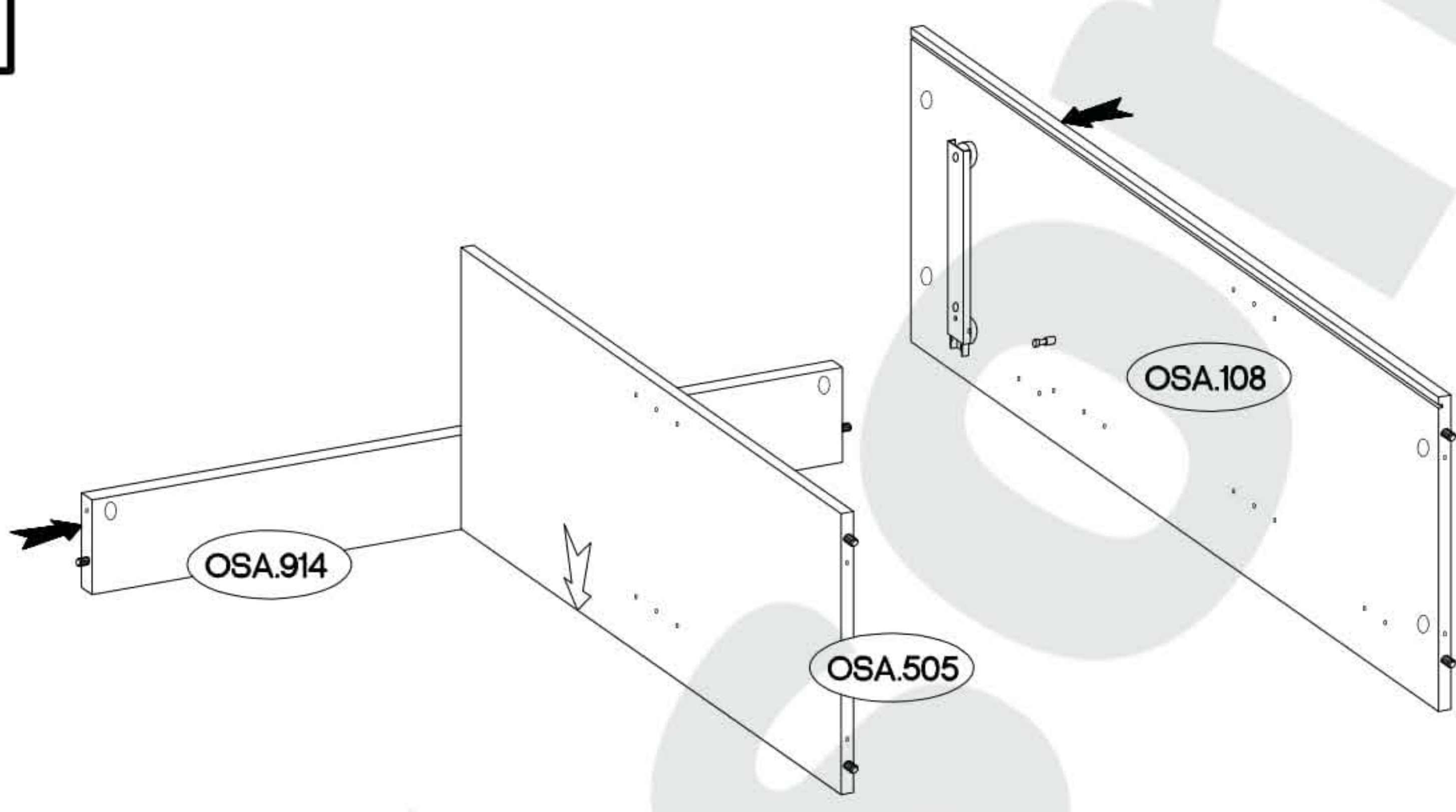


±8x30mm  A 6	±15/12mm  C 2	L=20mm  D2 7	 T3 2	±4.0x16mm  P1 2
--	---	--	--	---

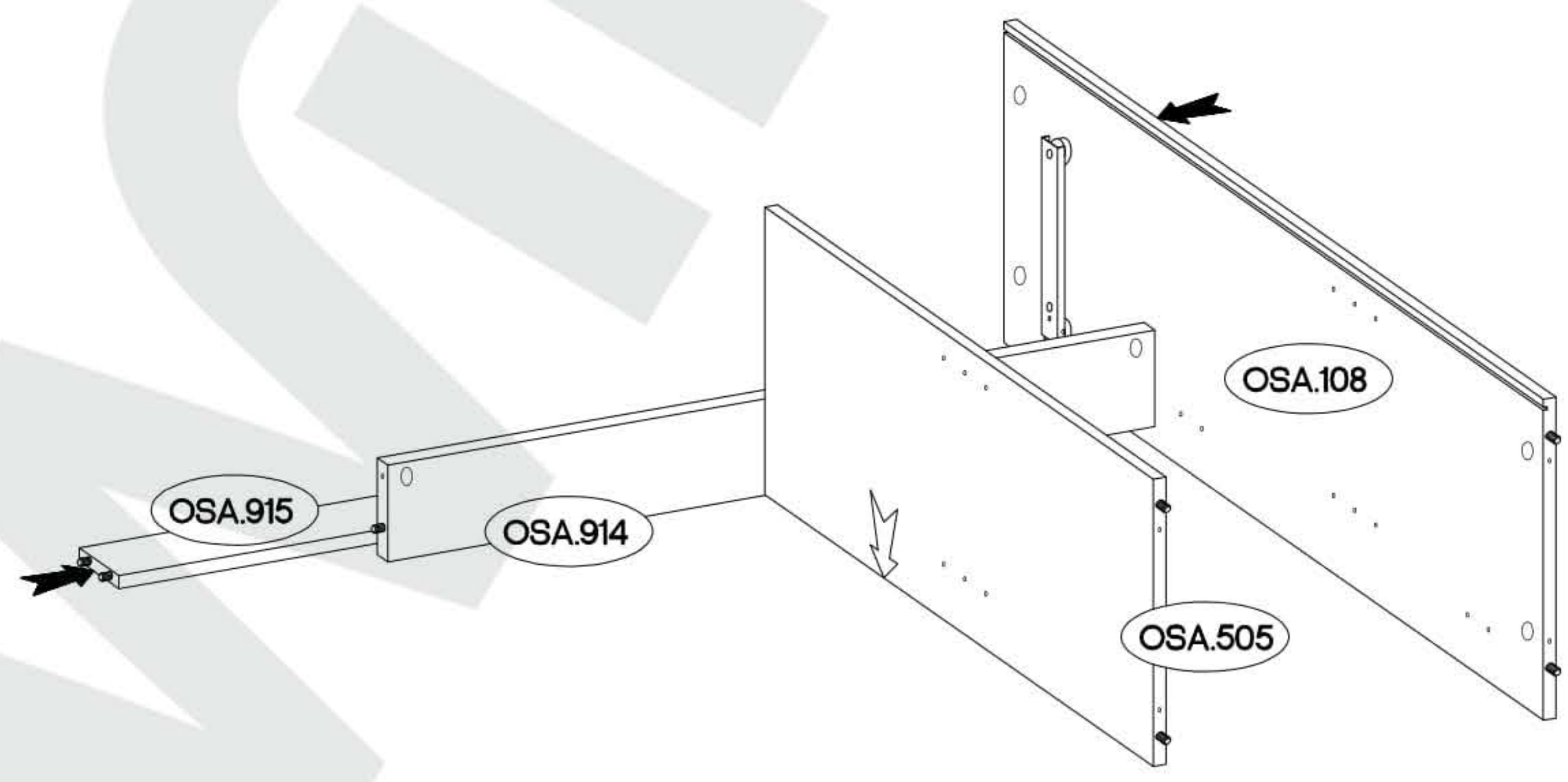
9

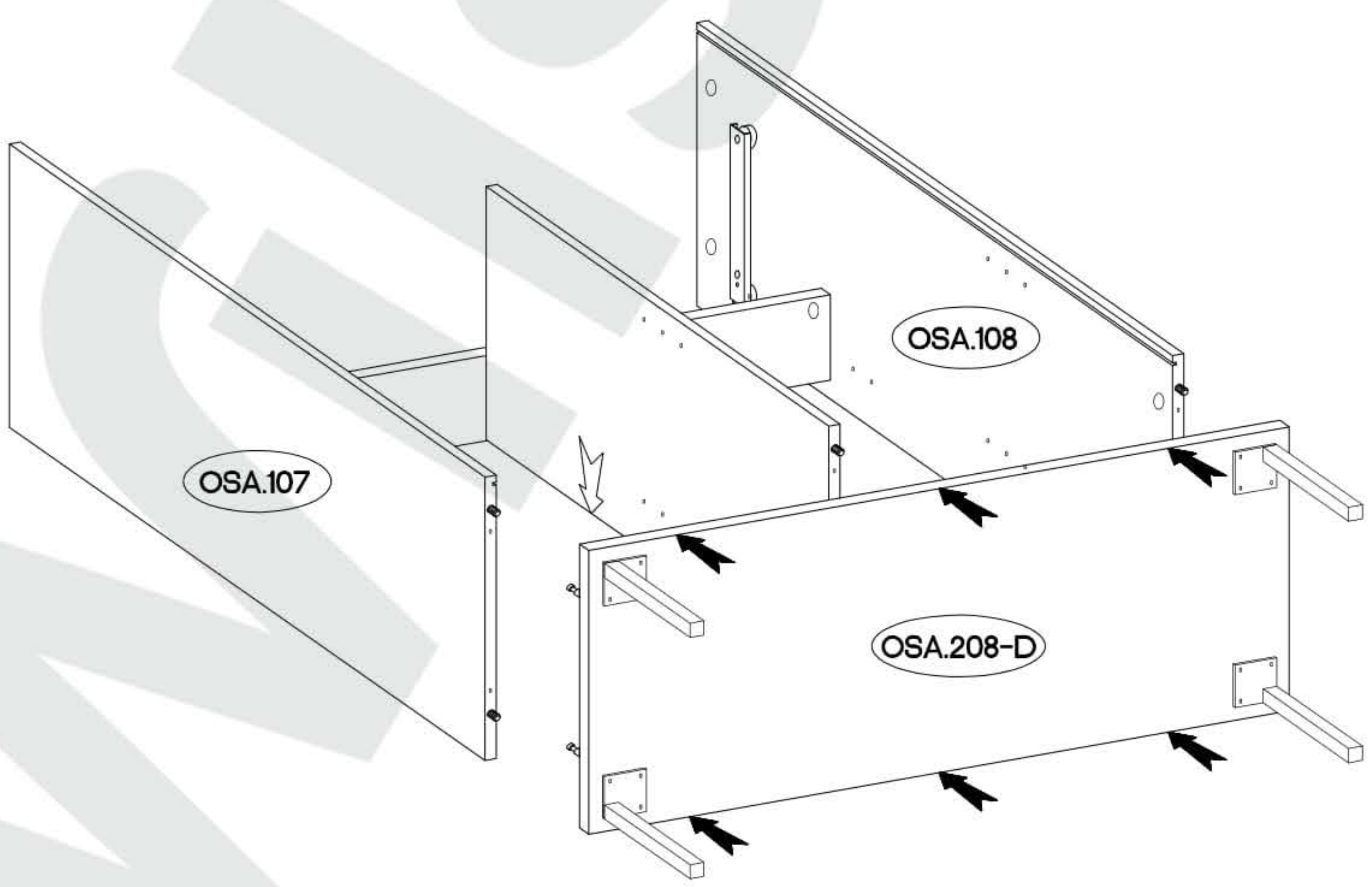
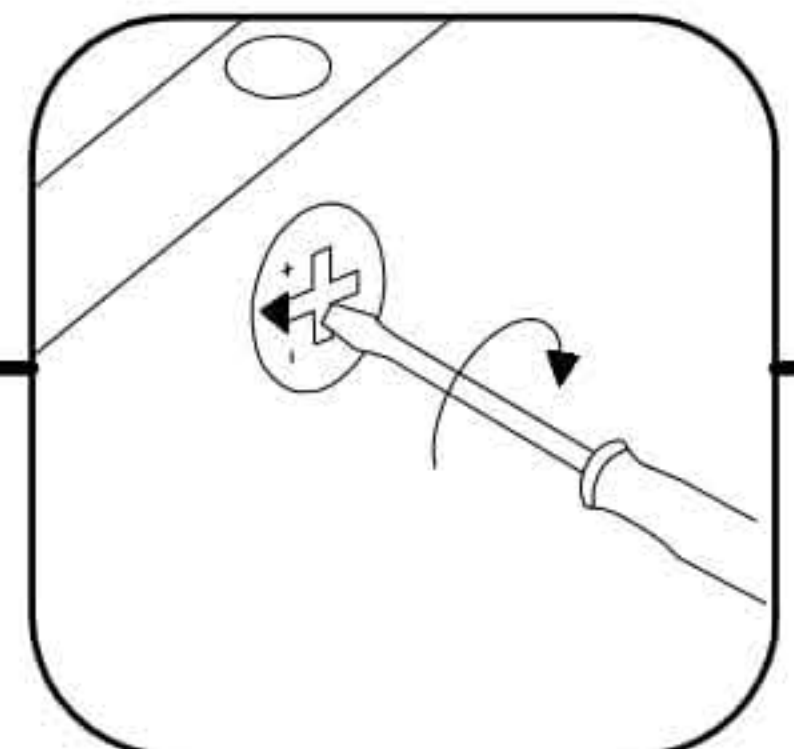
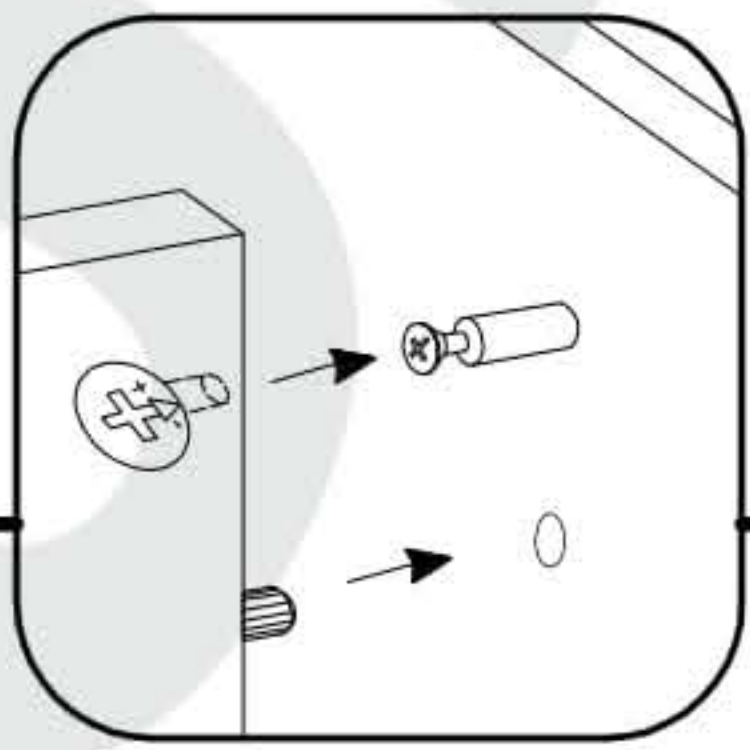
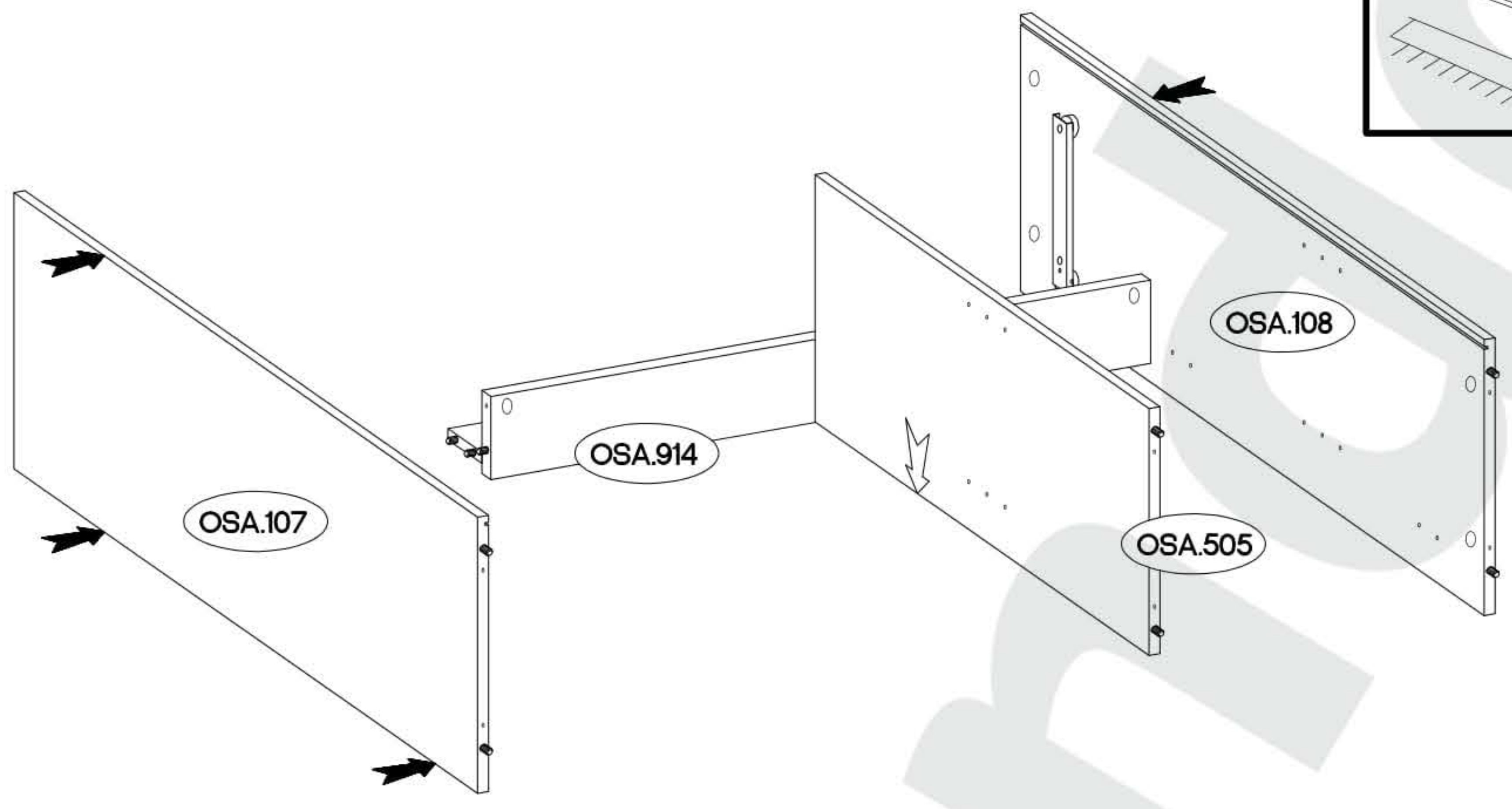
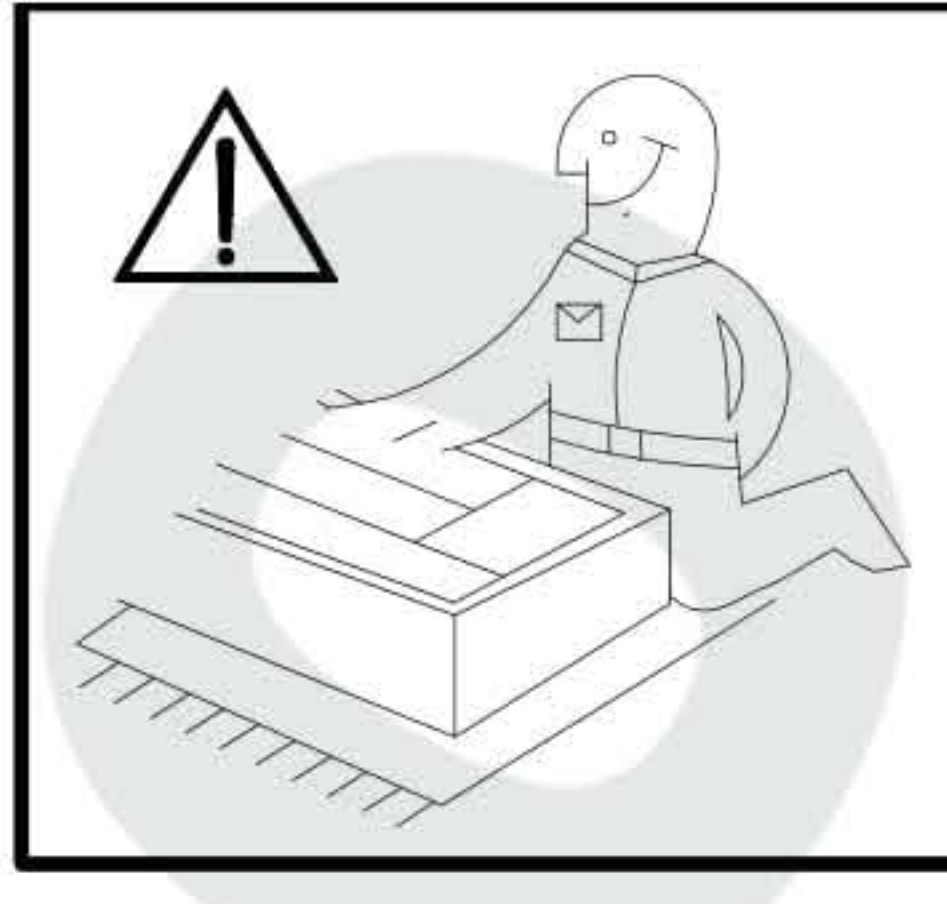


10



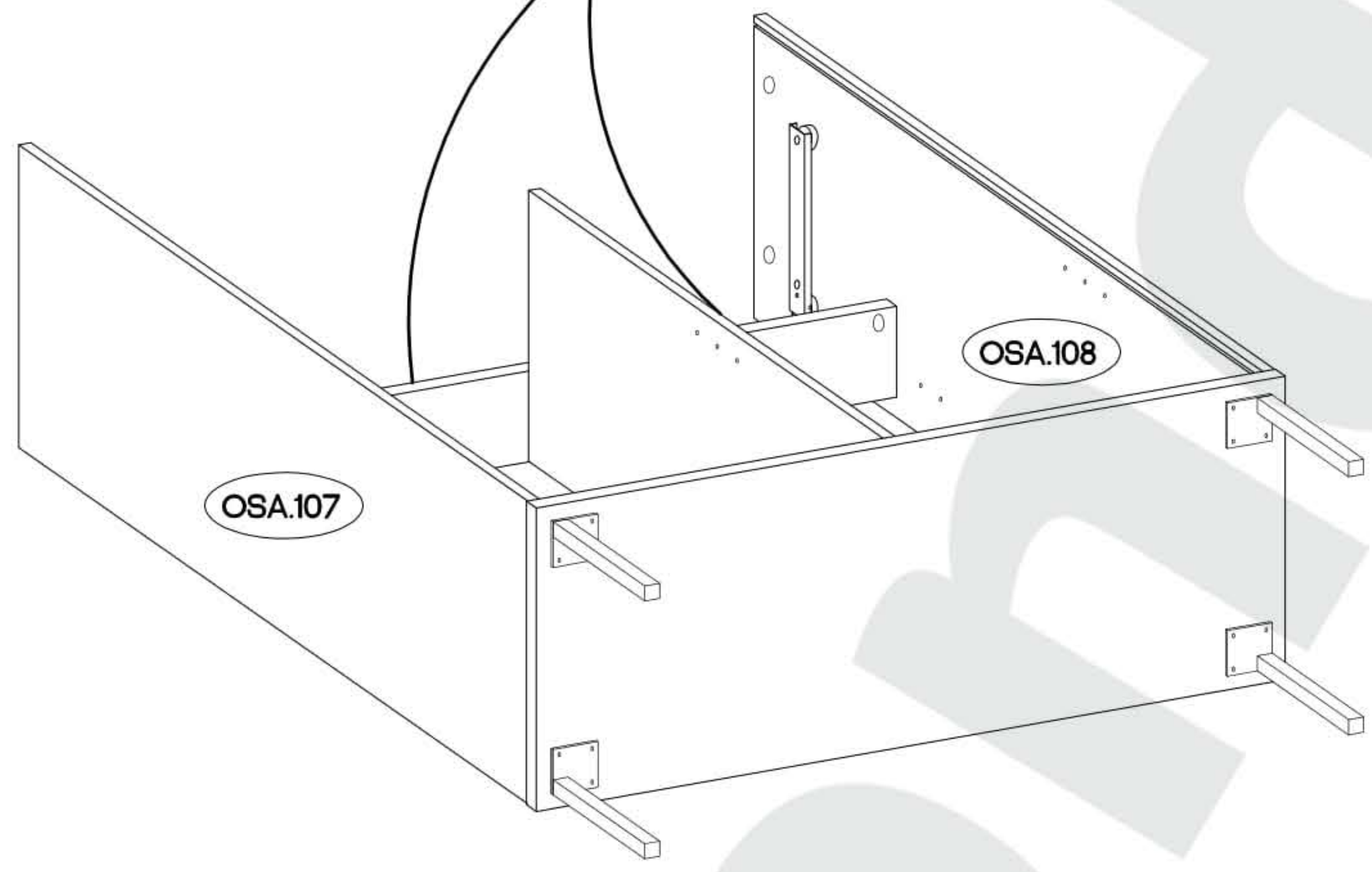
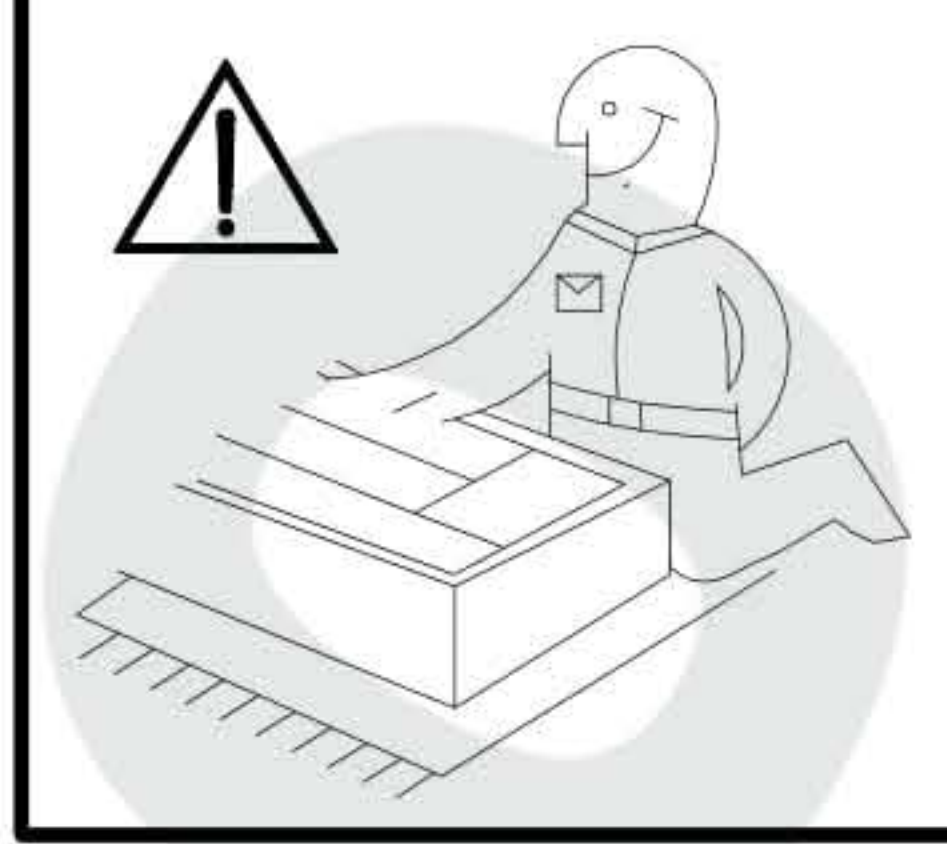
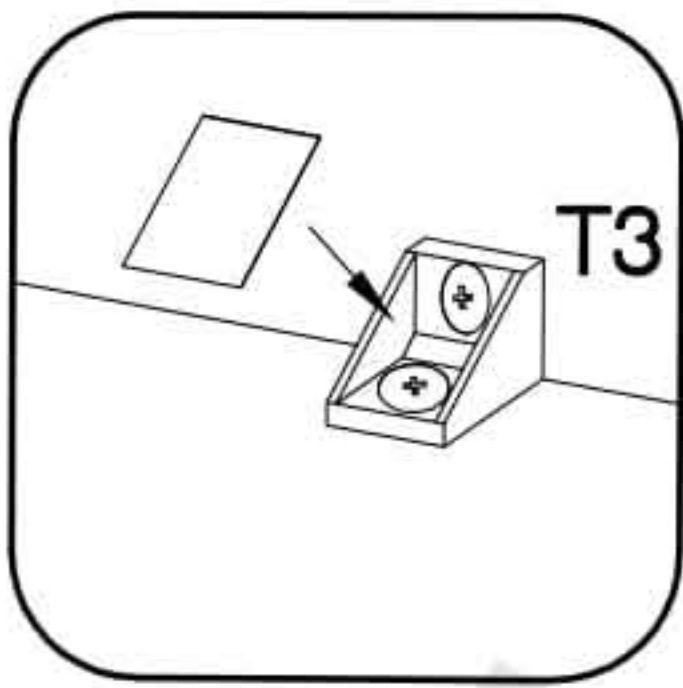
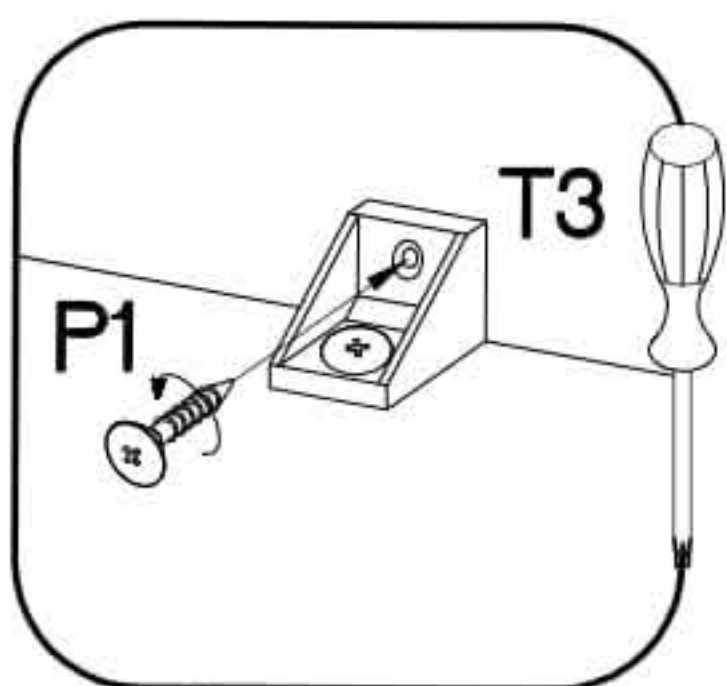
11



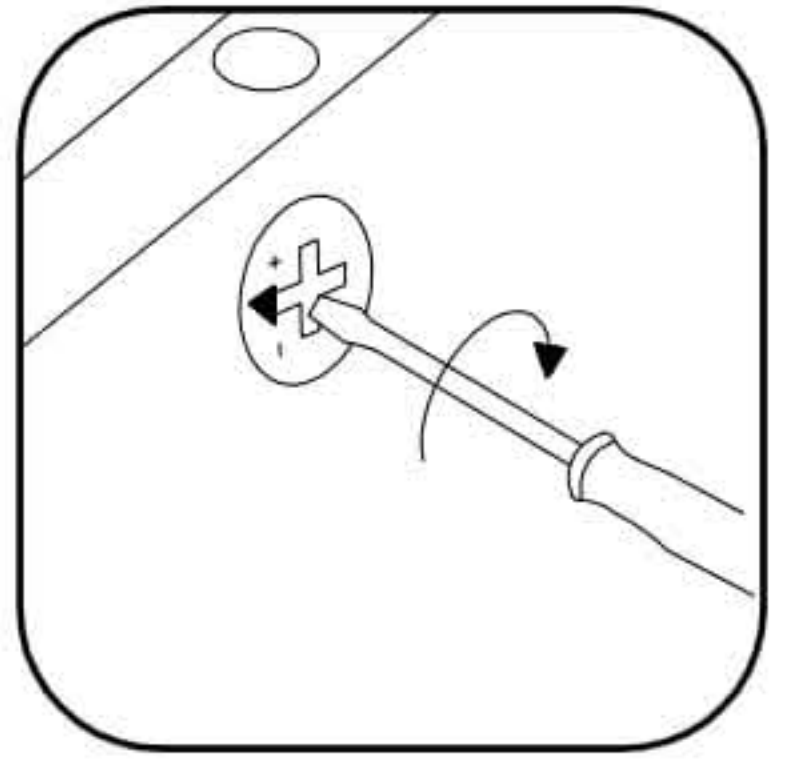
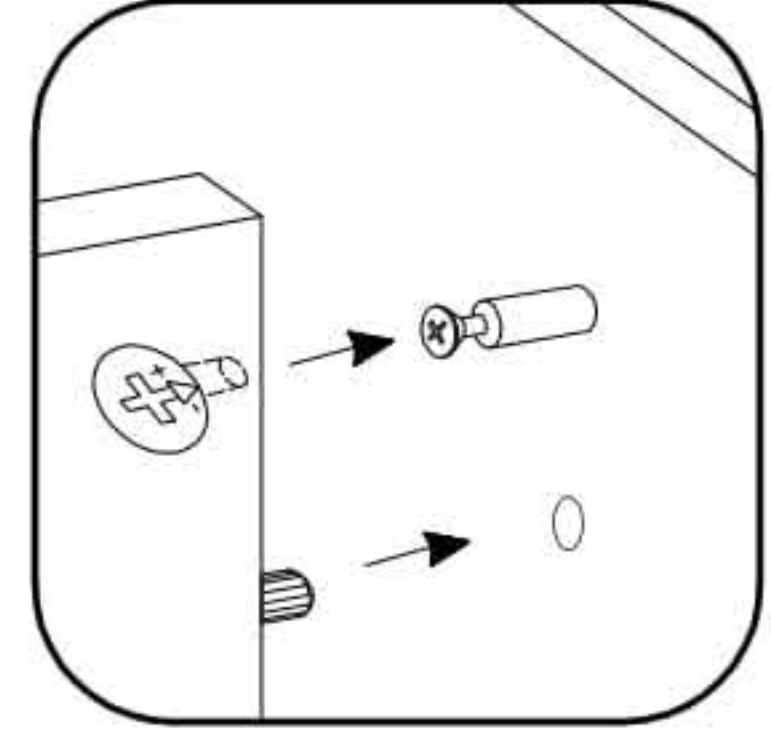
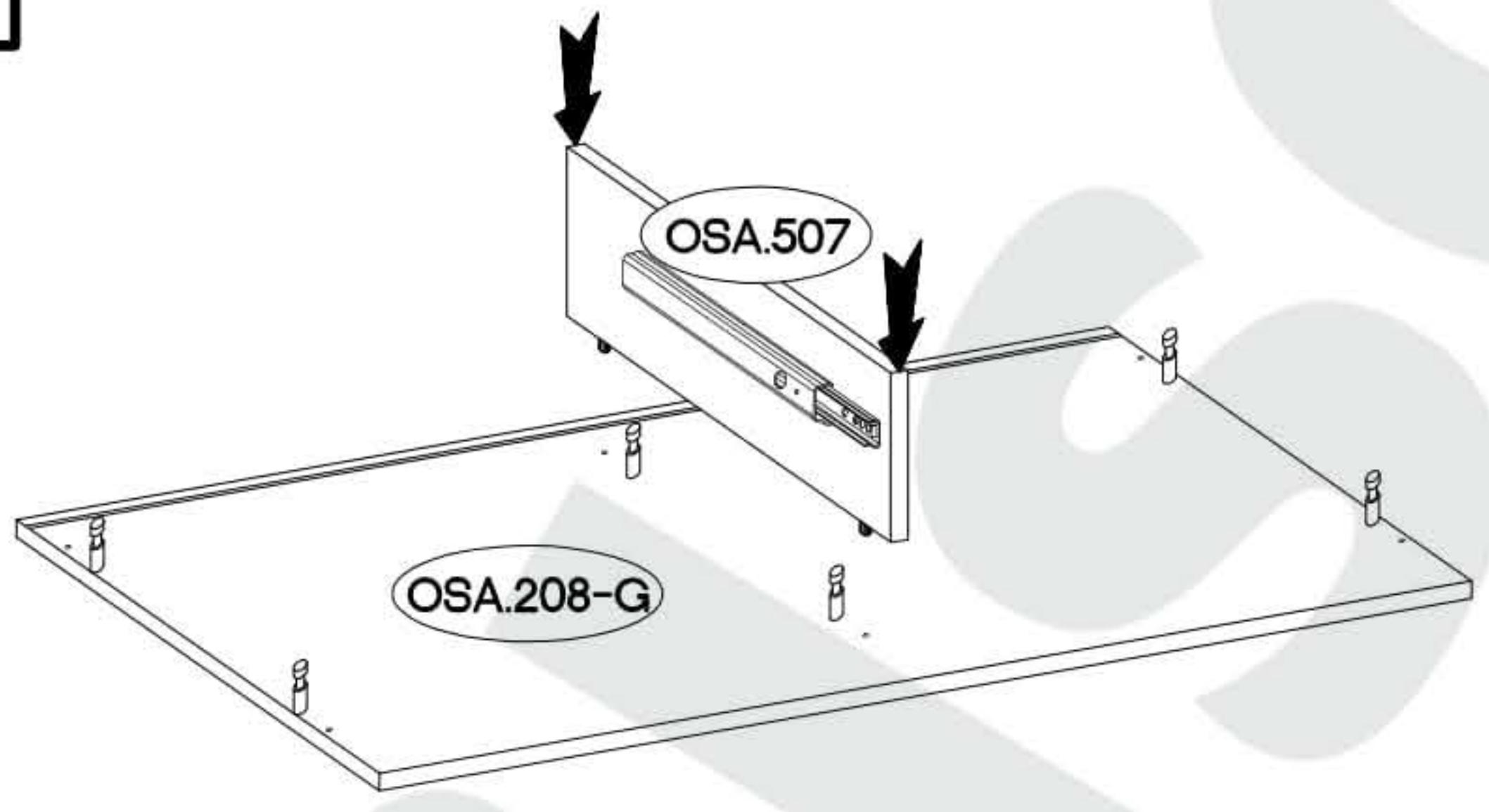


14

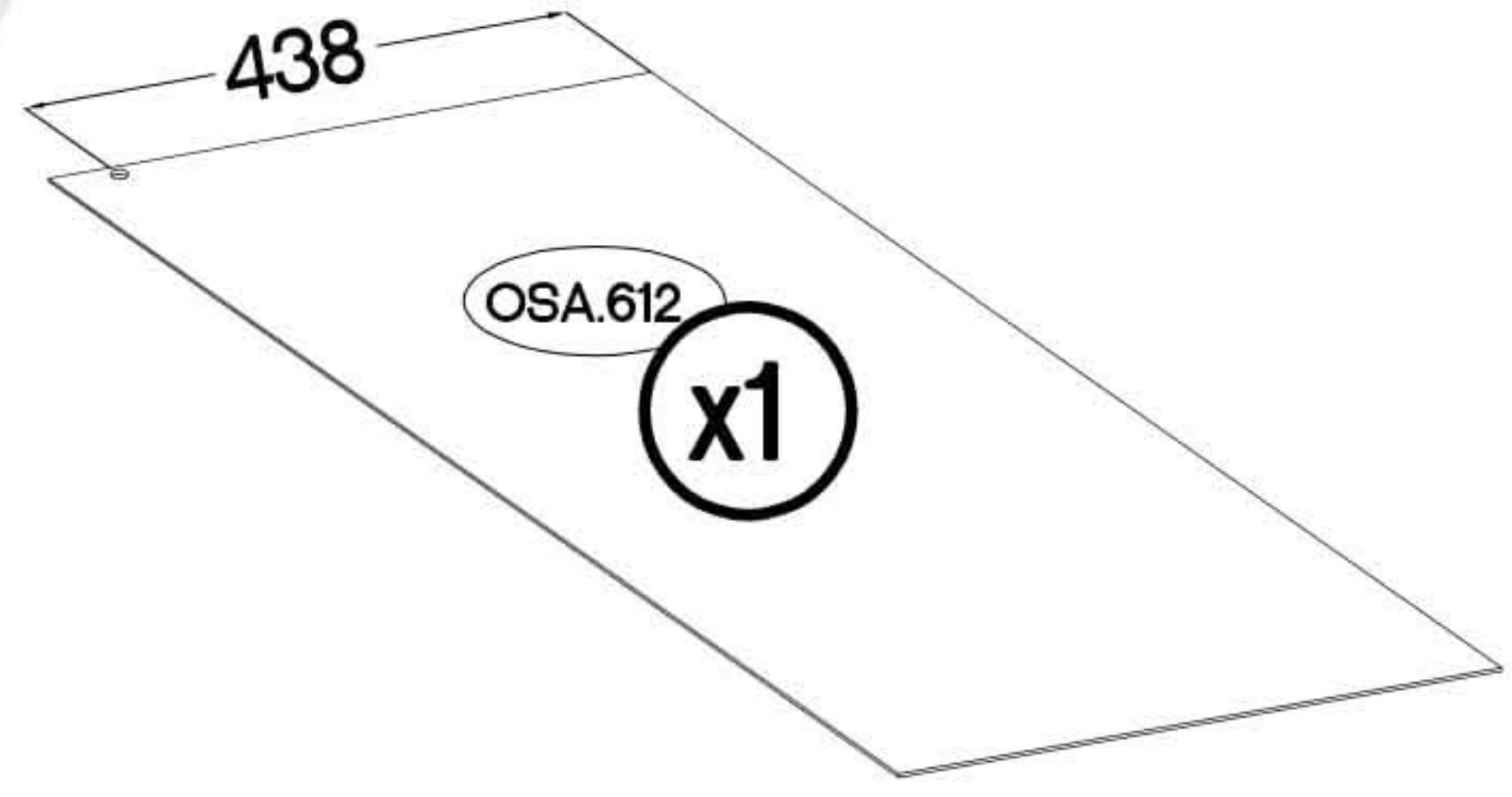
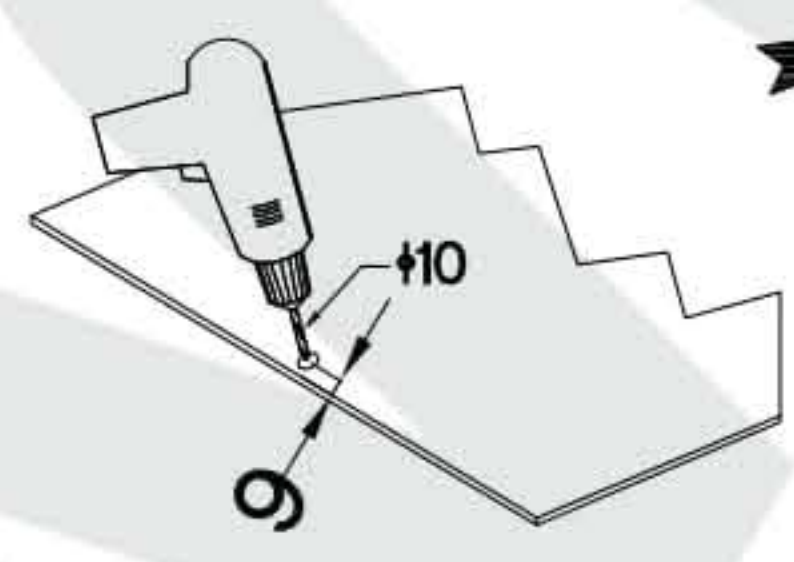
4.0x16mm
P1
2


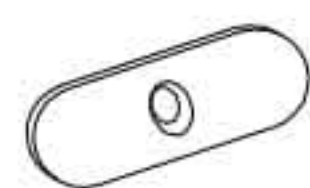
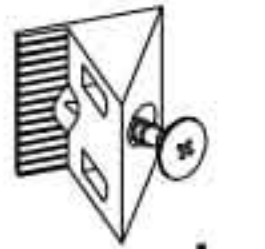


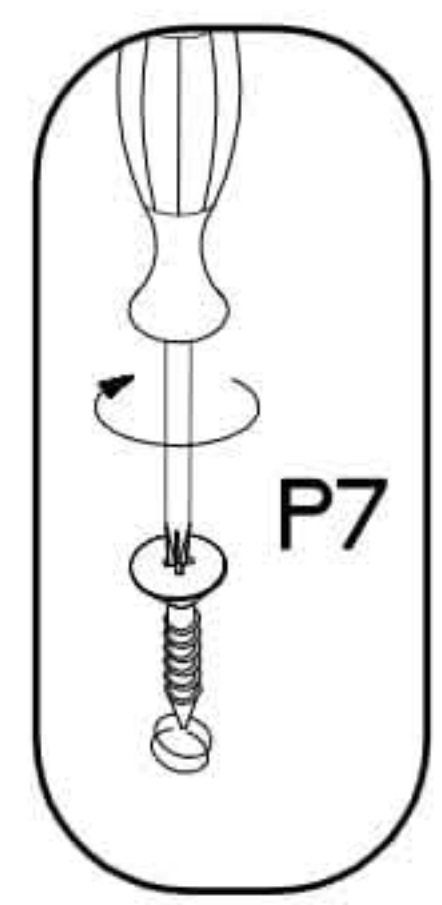
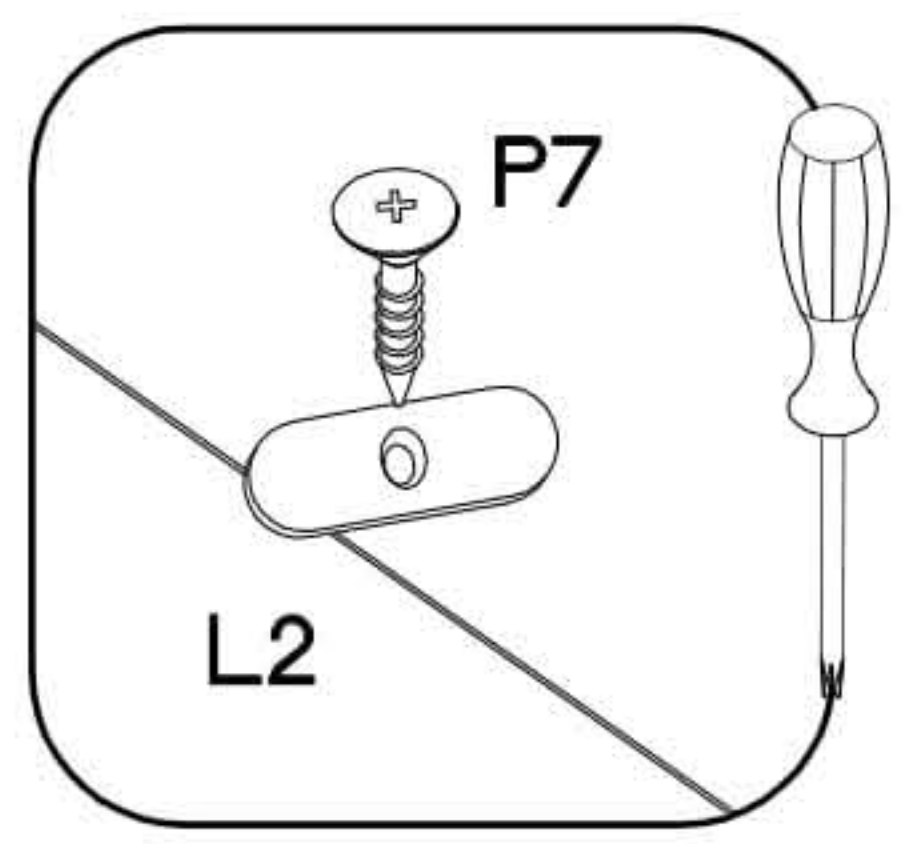
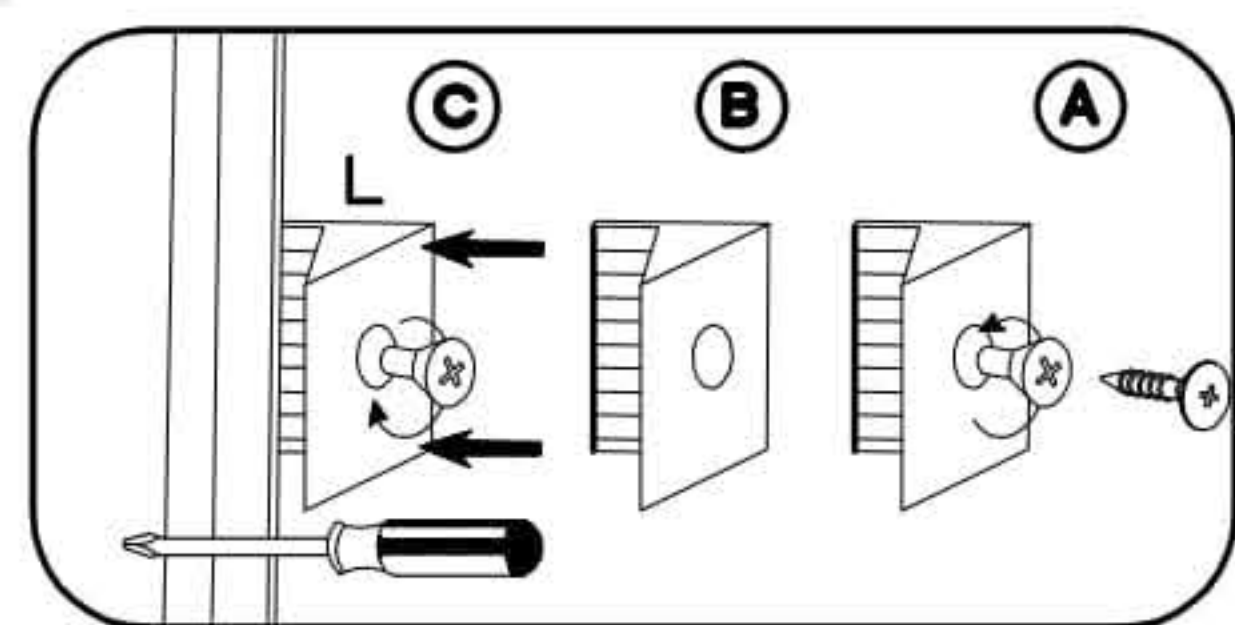
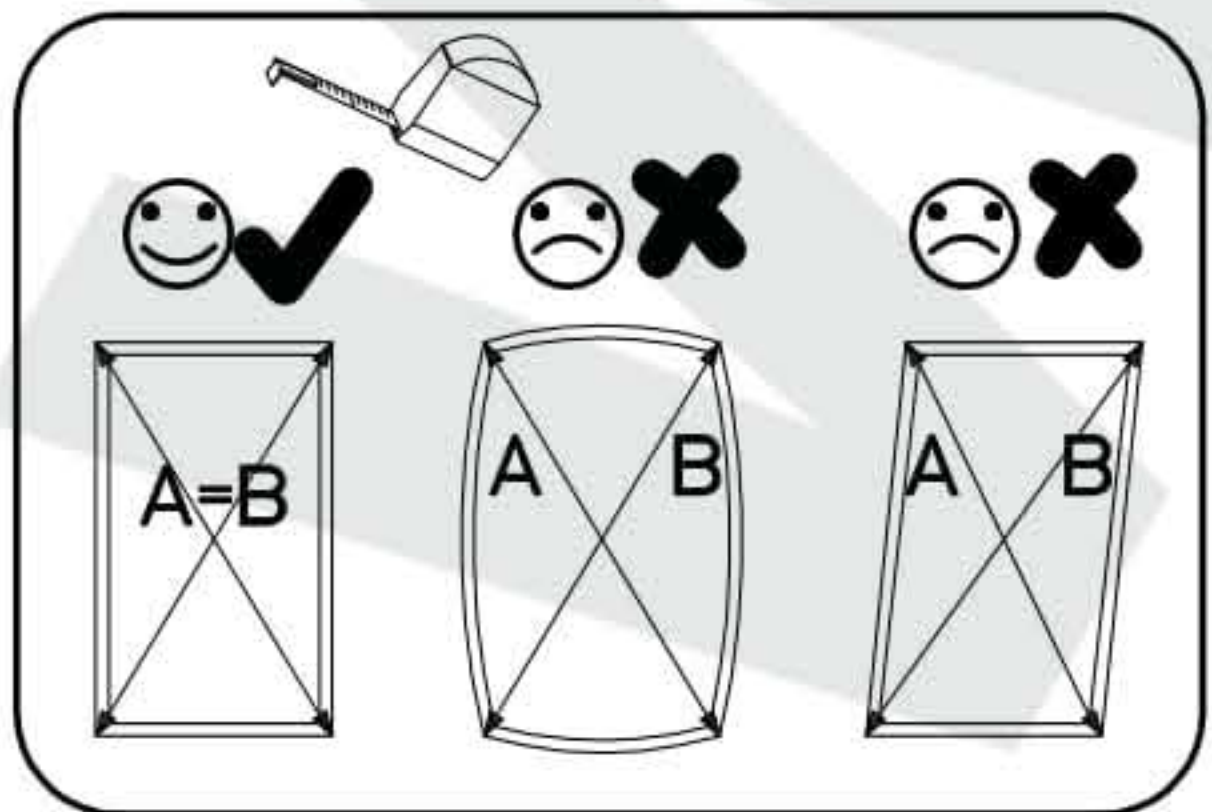
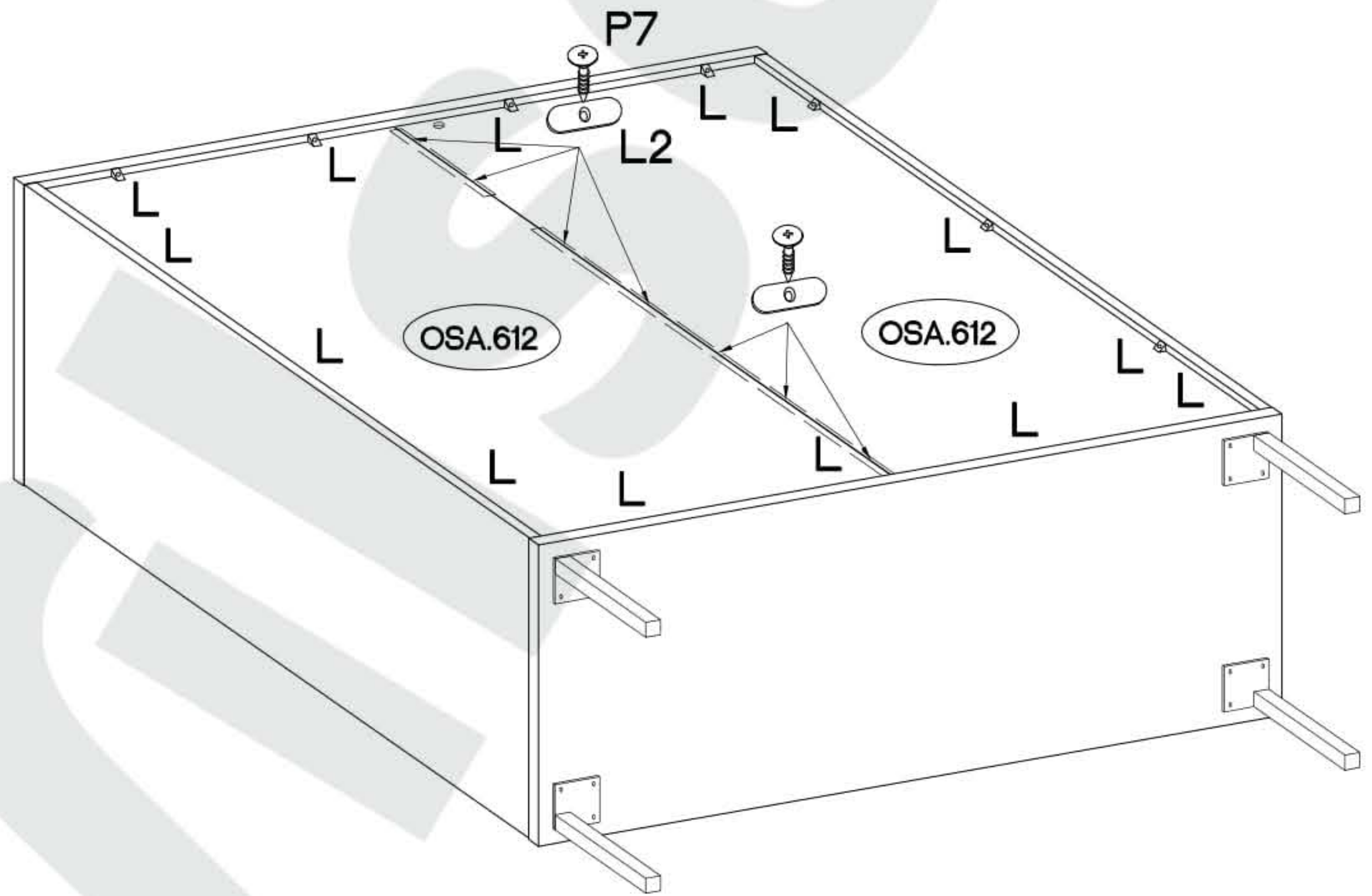
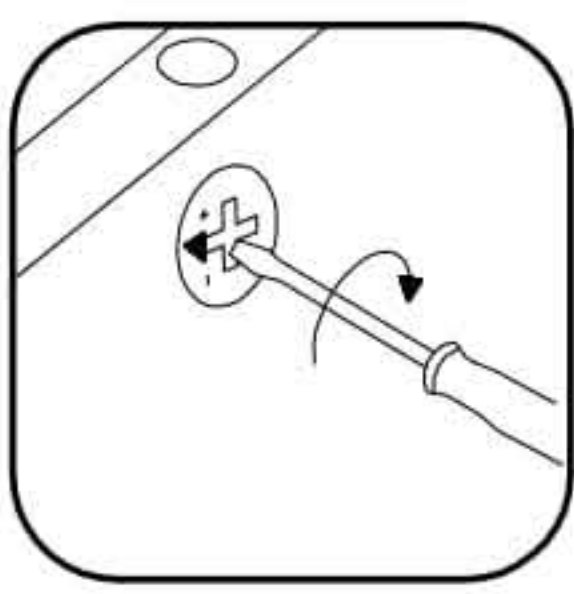
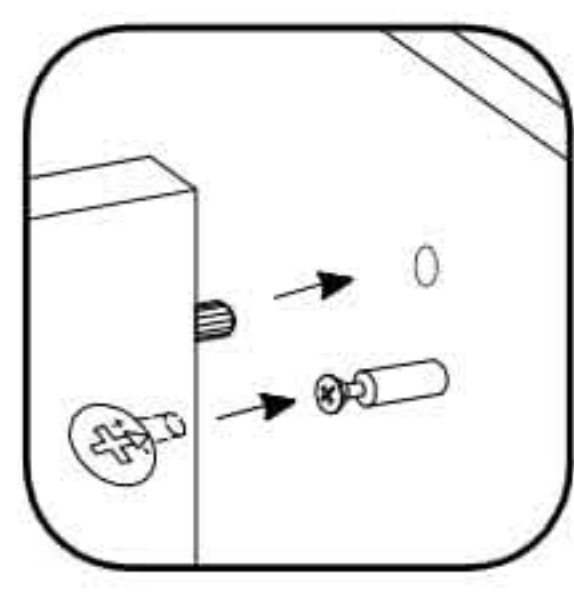
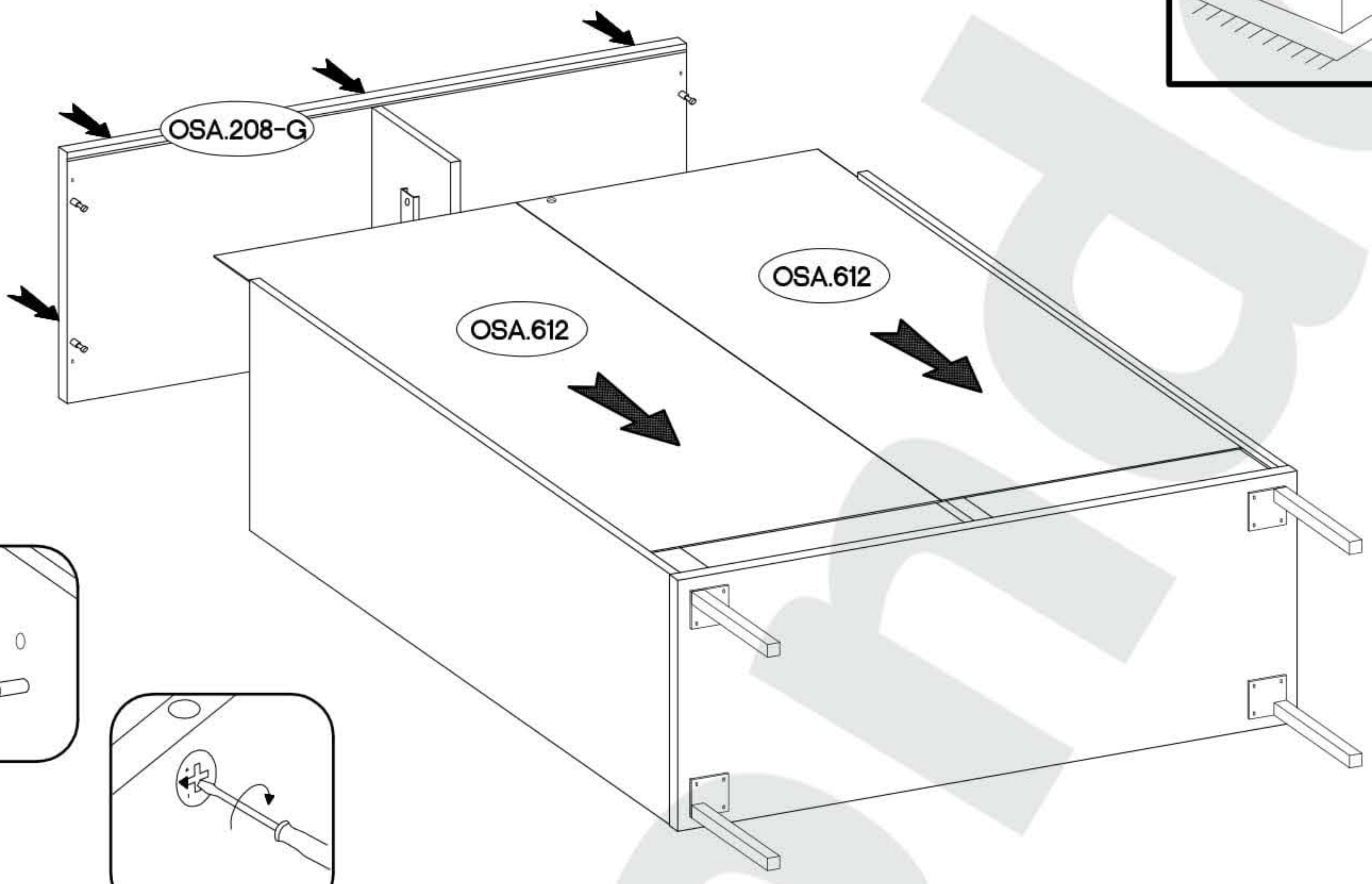
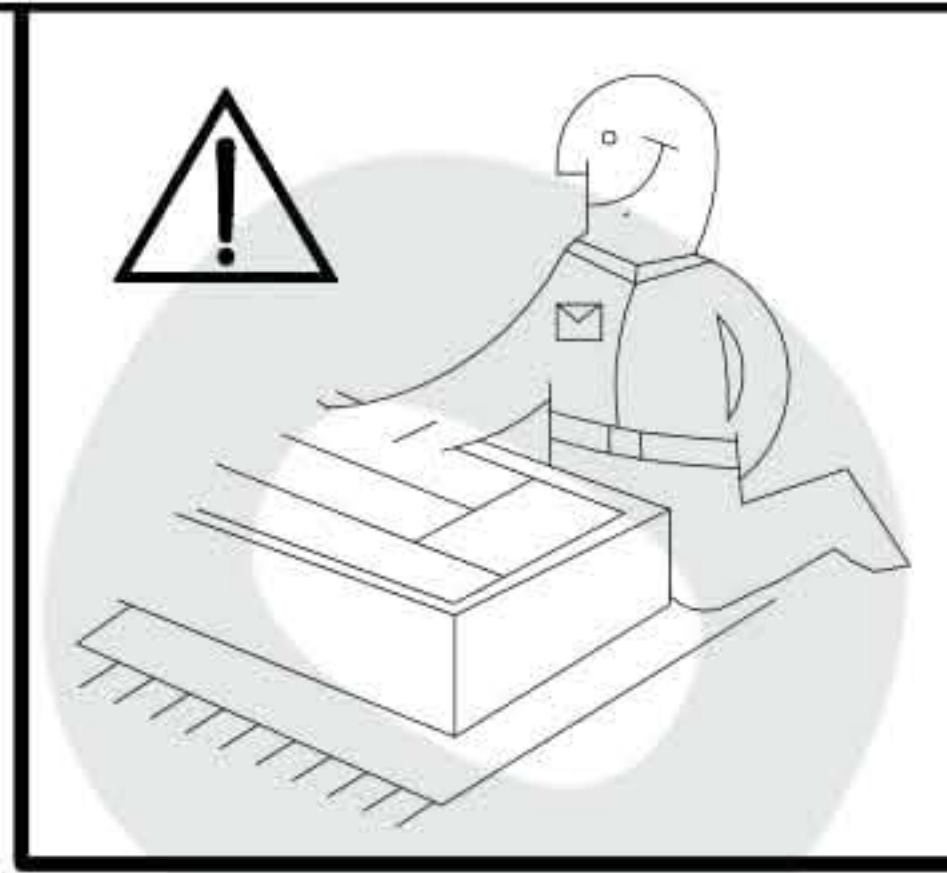
15

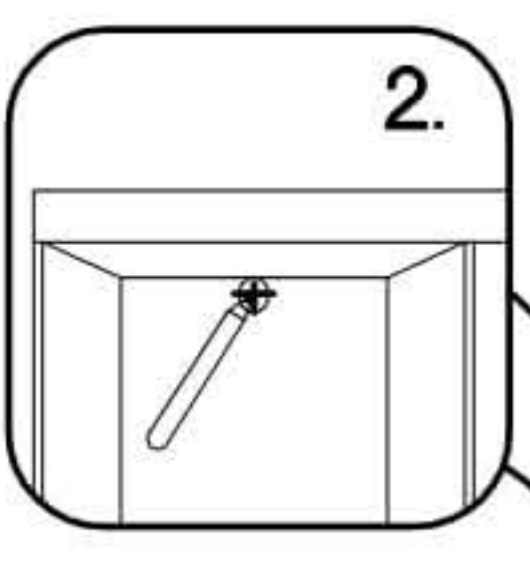





16

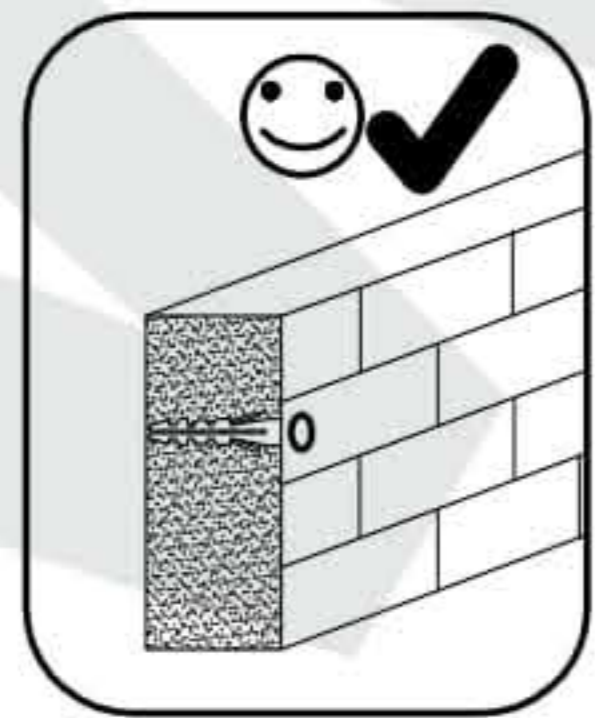
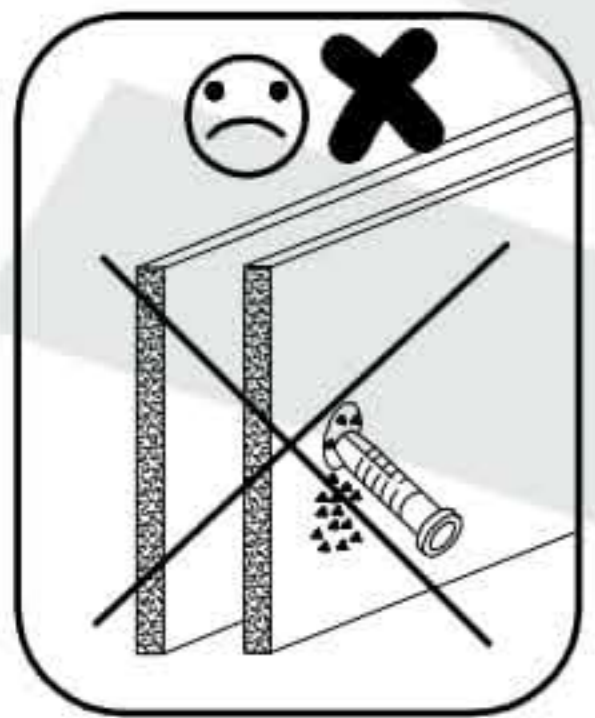
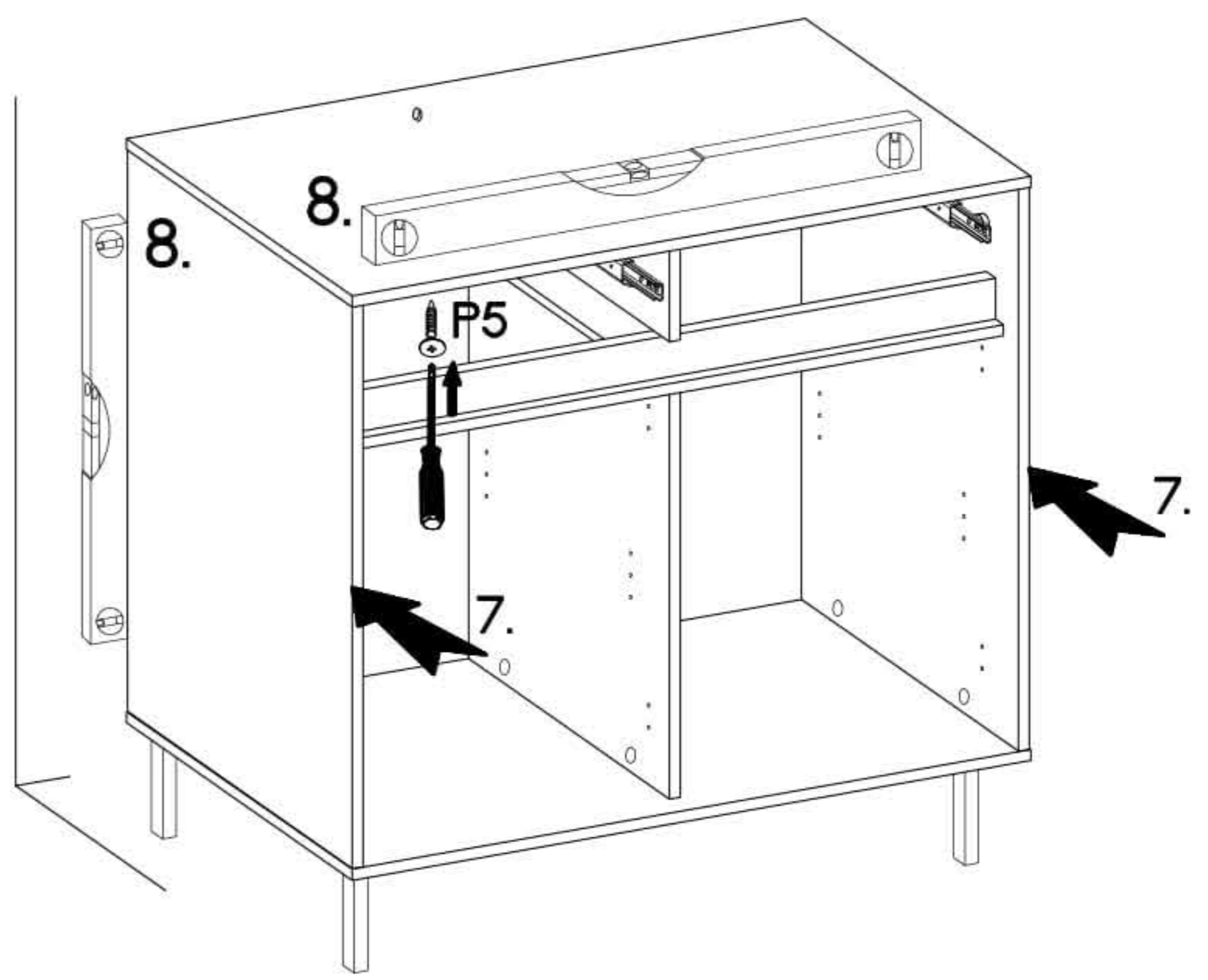
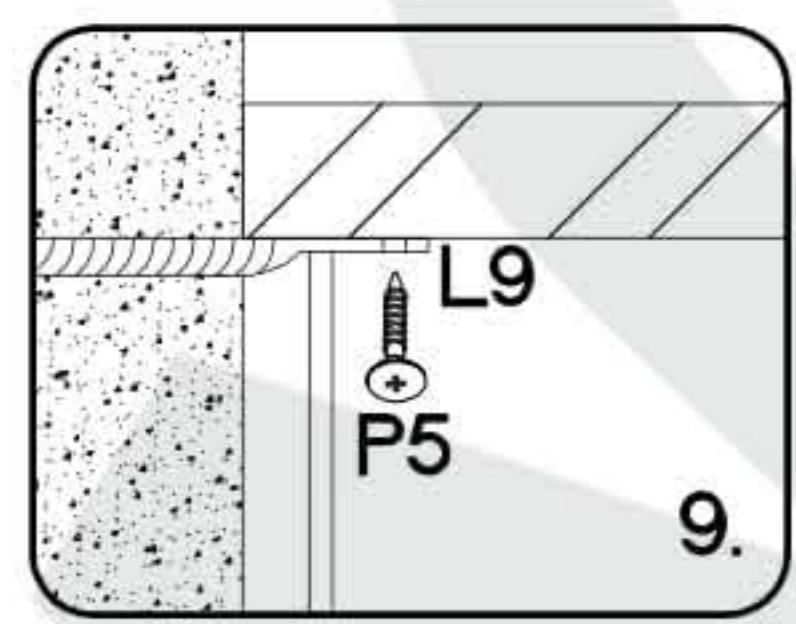
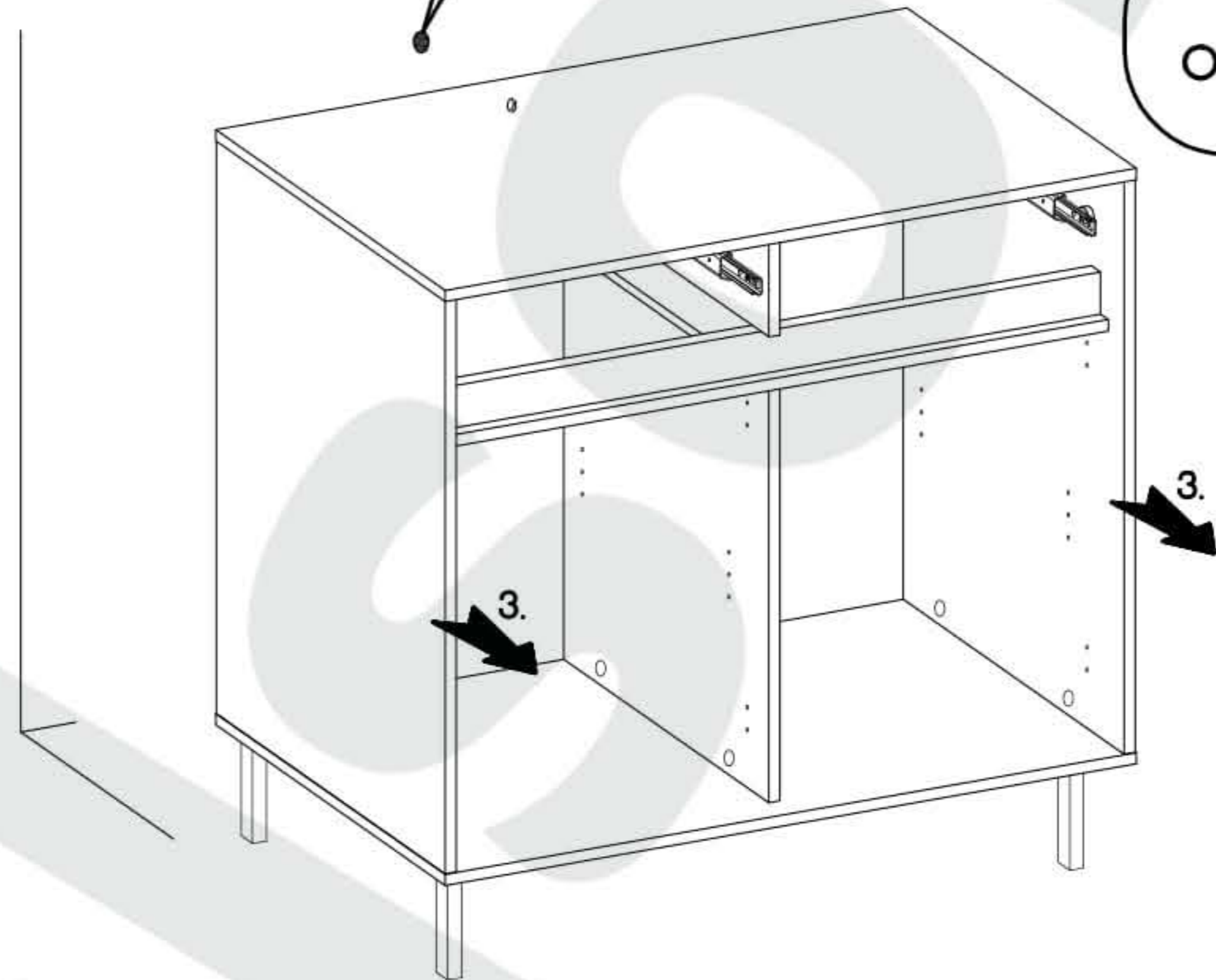
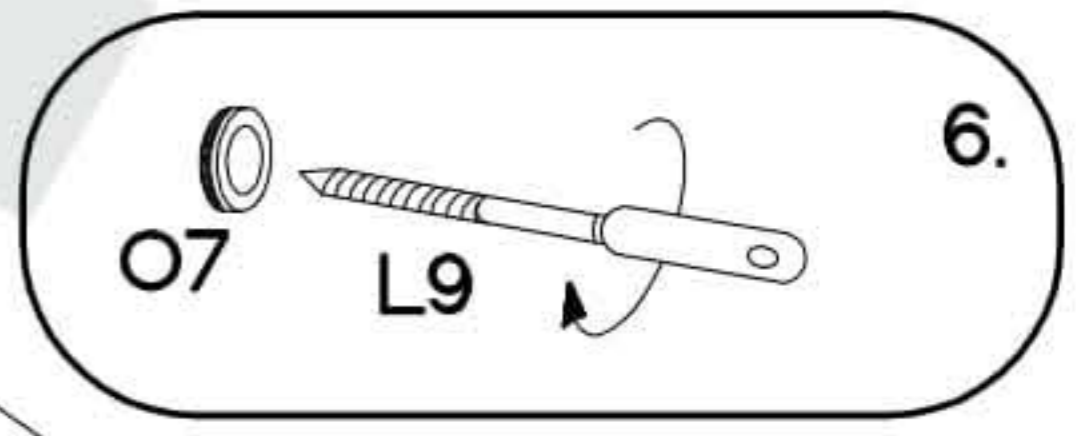
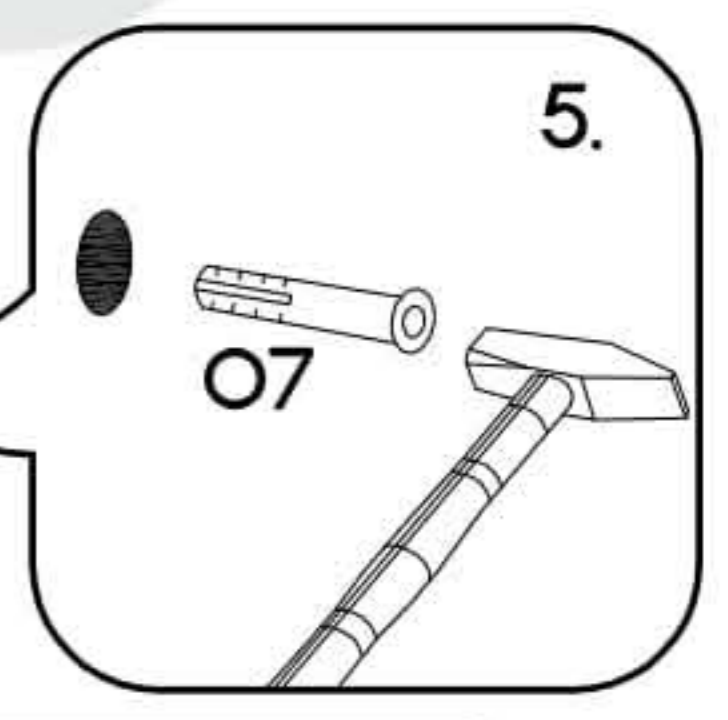
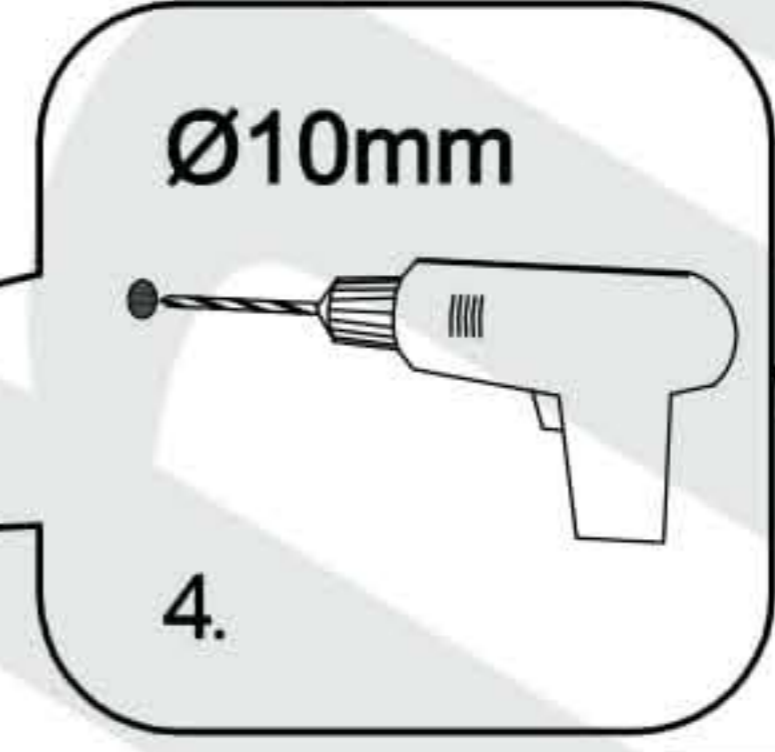
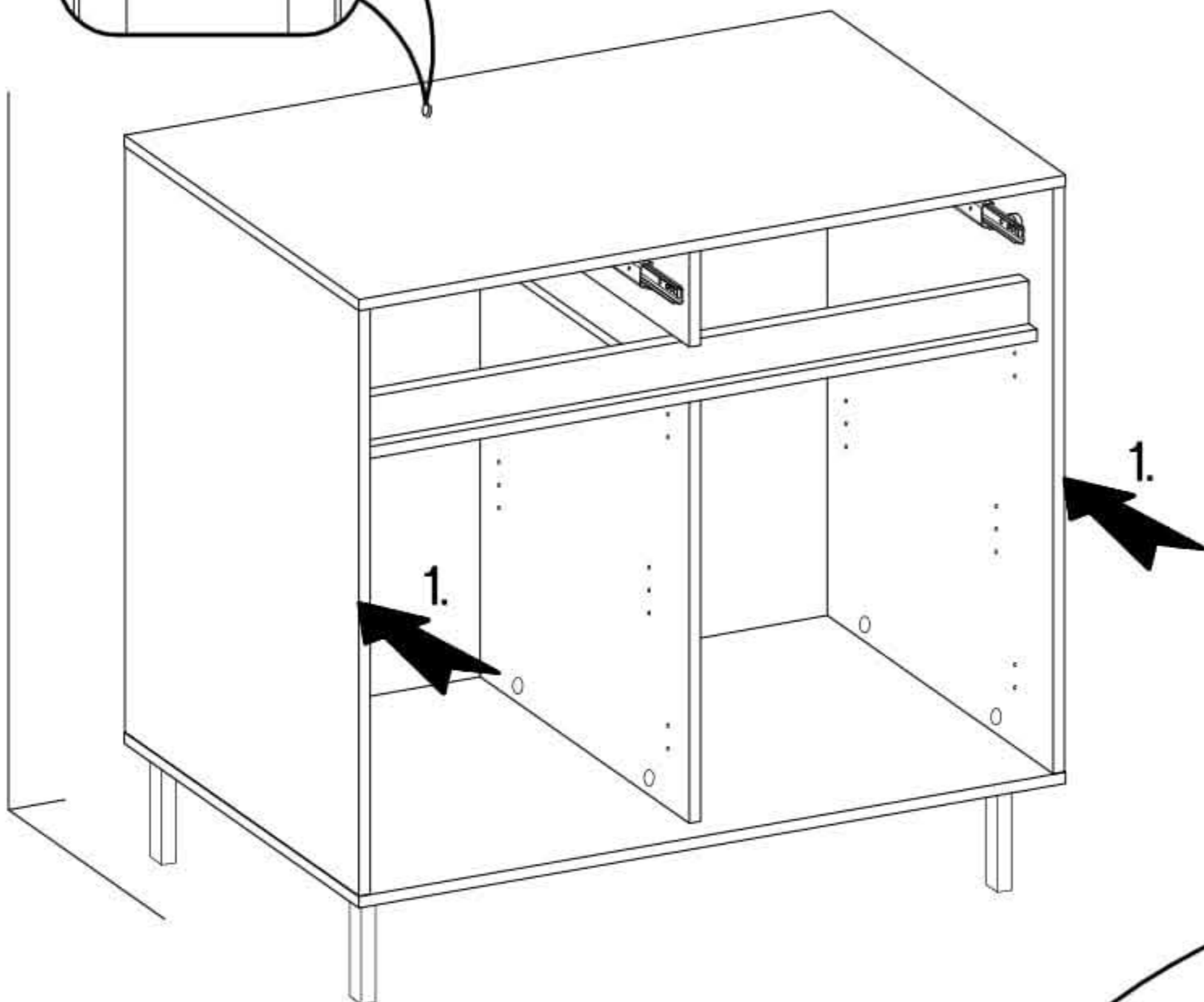


#3.0x20mm  P7 7	 L2 7	 L 14
--	--	--




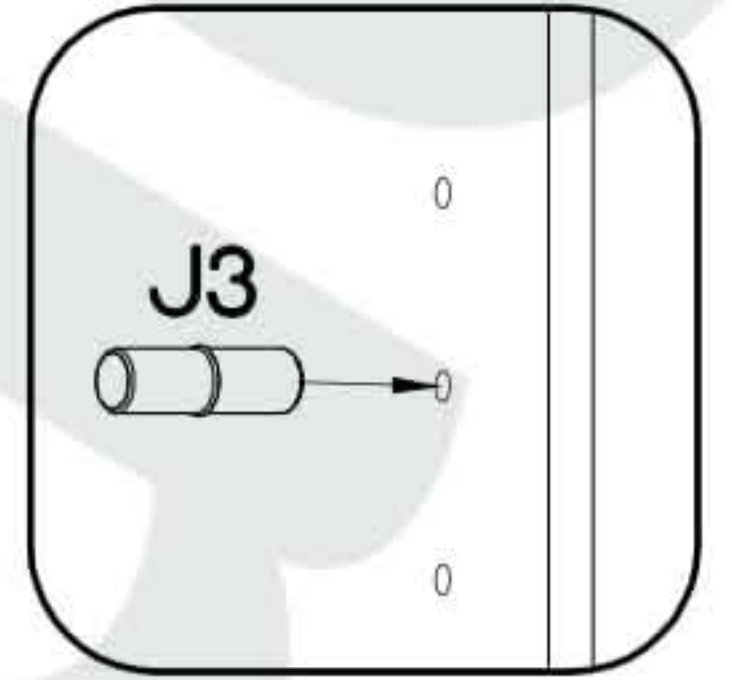
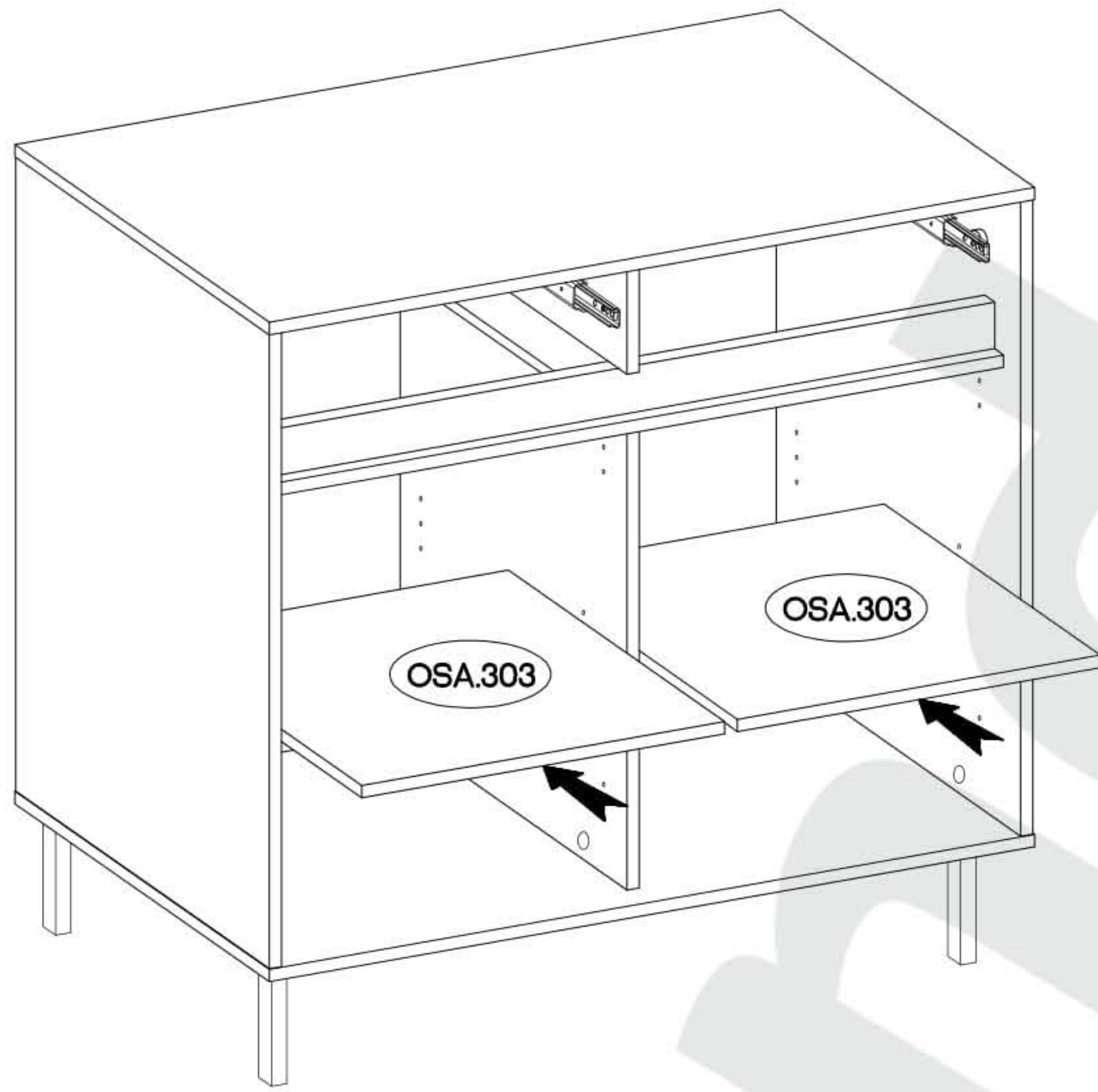


$\varnothing 10 \times 50 \text{mm}$  O7 1	$\varnothing 3.5 \times 13 \text{mm}$  L9 1	$\varnothing 3.5 \times 13 \text{mm}$  P5 1
---	--	--



19

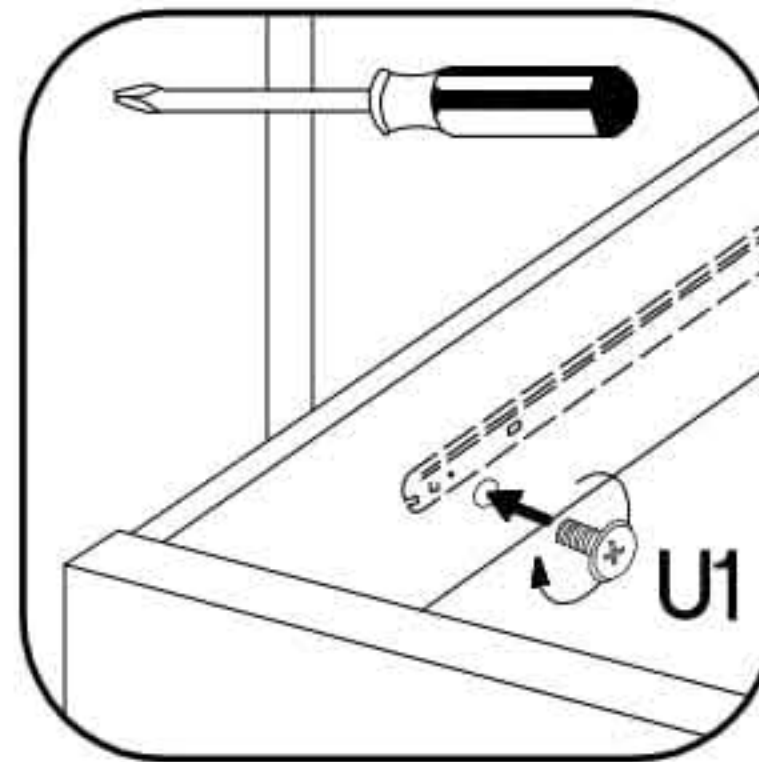
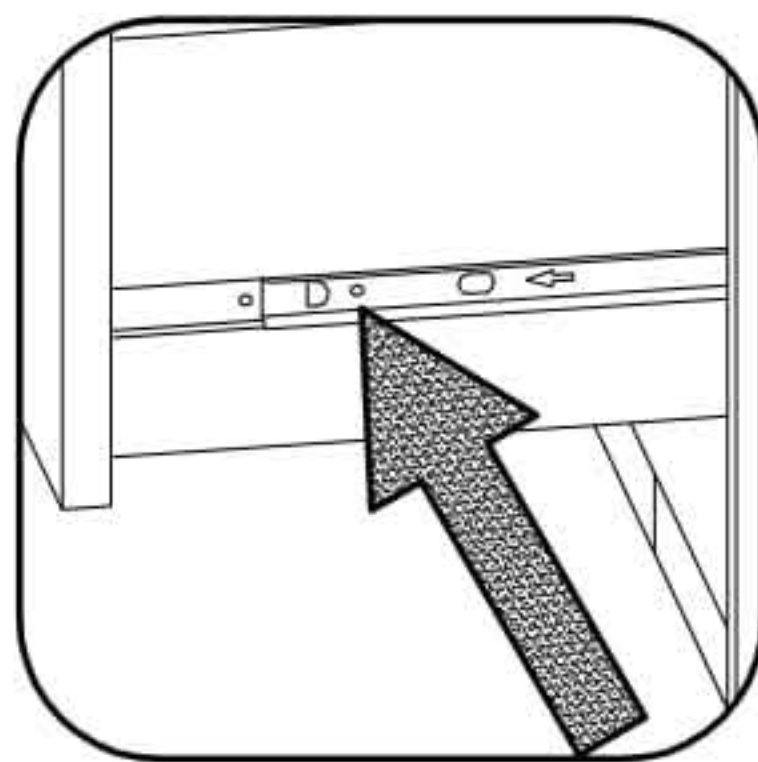
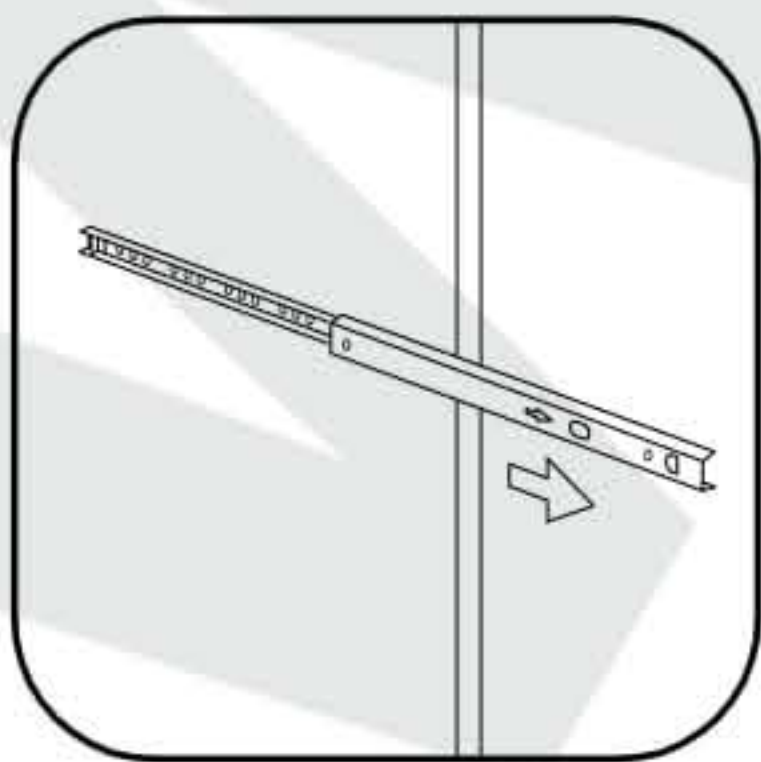
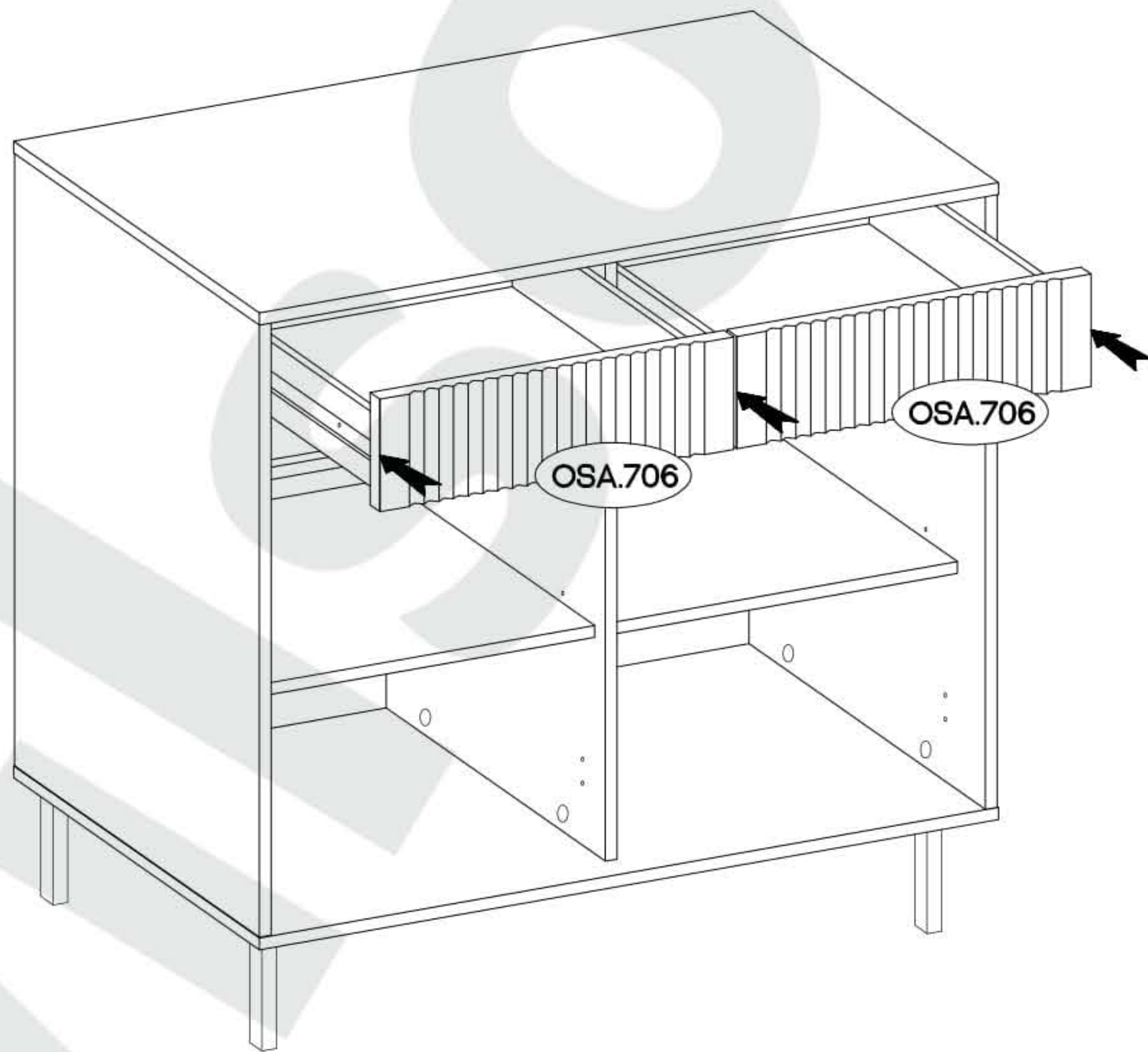
±5/16mm

 J3
 8





20

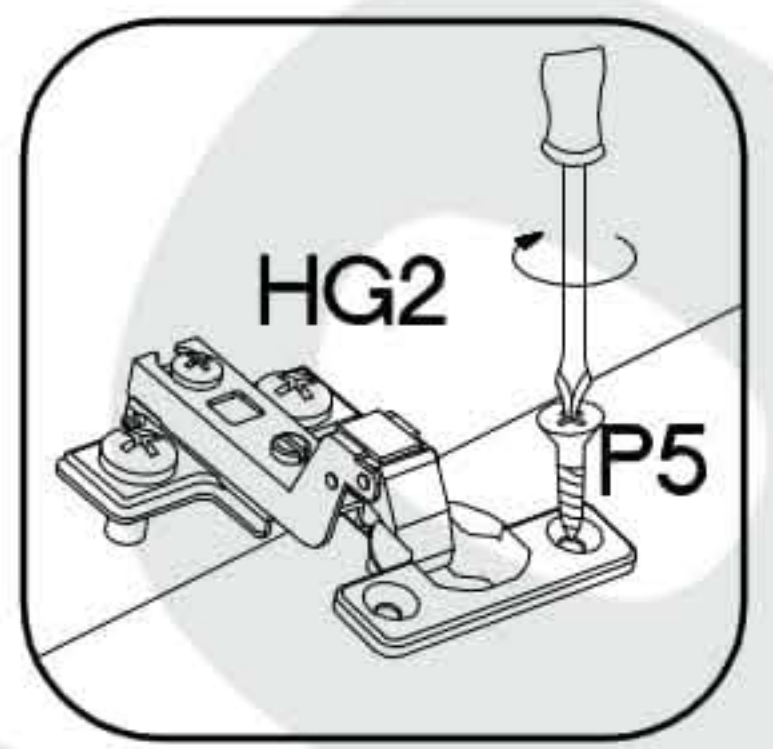
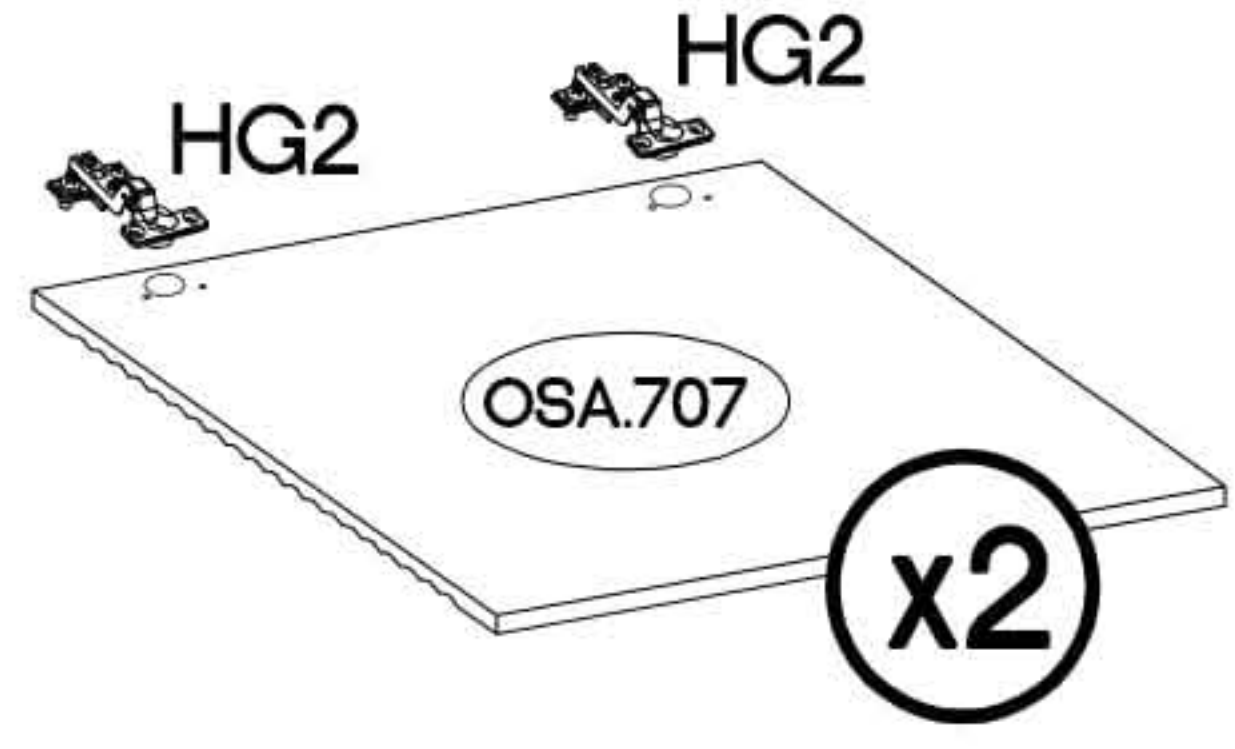
M4x9mm

 U1
 4





21

$\pm 35/16\text{mm}$	$\pm 3.5 \times 13\text{mm}$
	
HG2	P5
4	8



22

± 20	$\pm 7/2\text{mm}$
	
E11	J5
9	2

