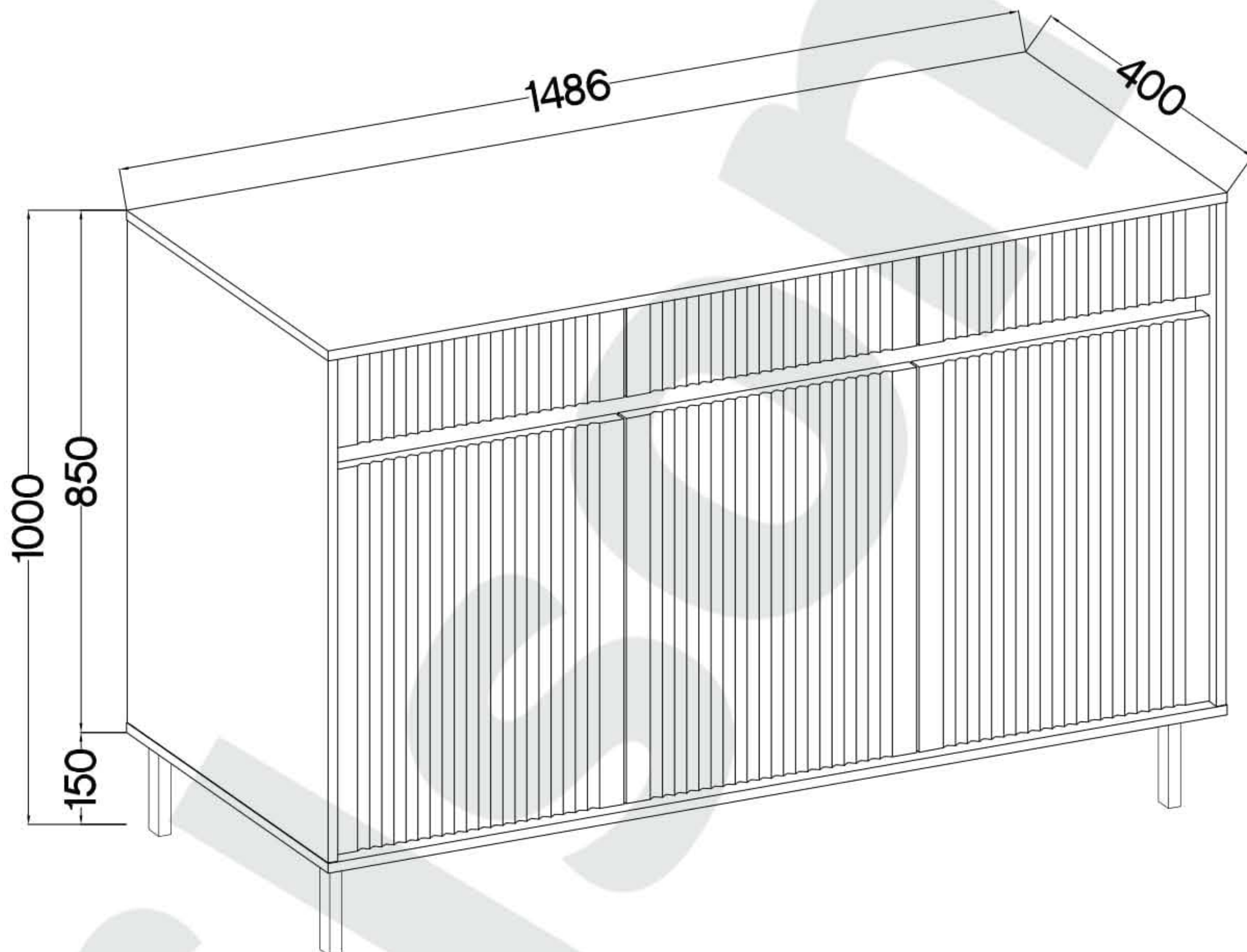


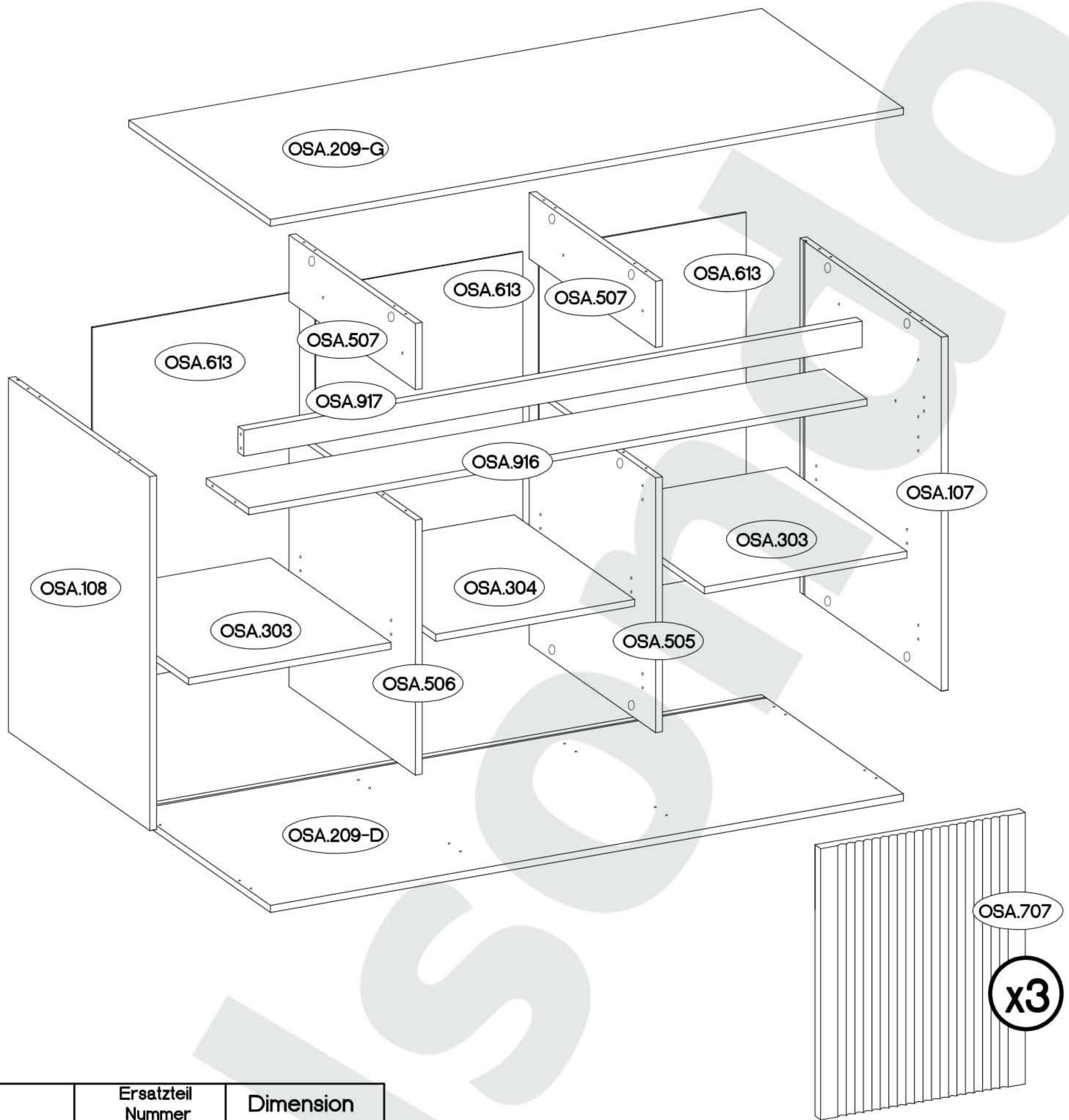
90 min

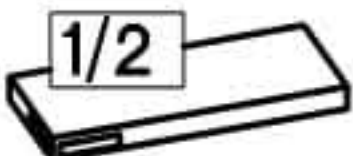
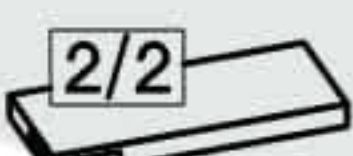
TYP 833

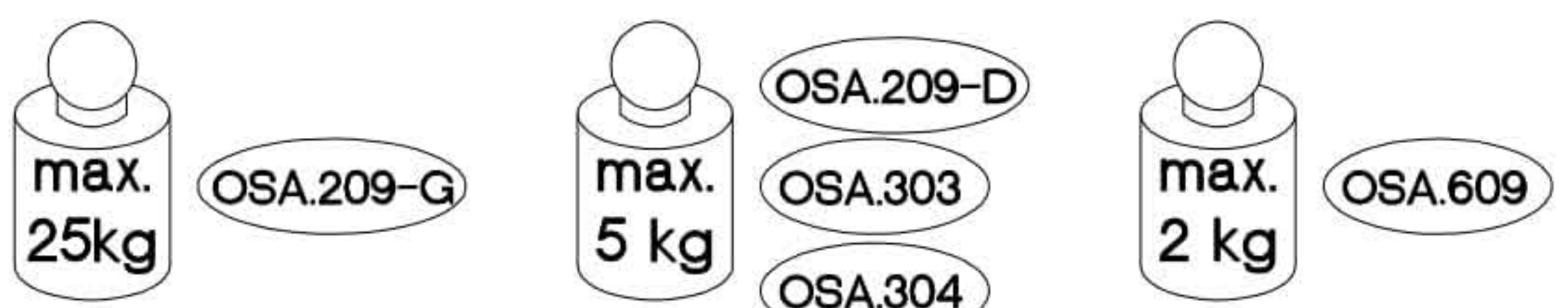
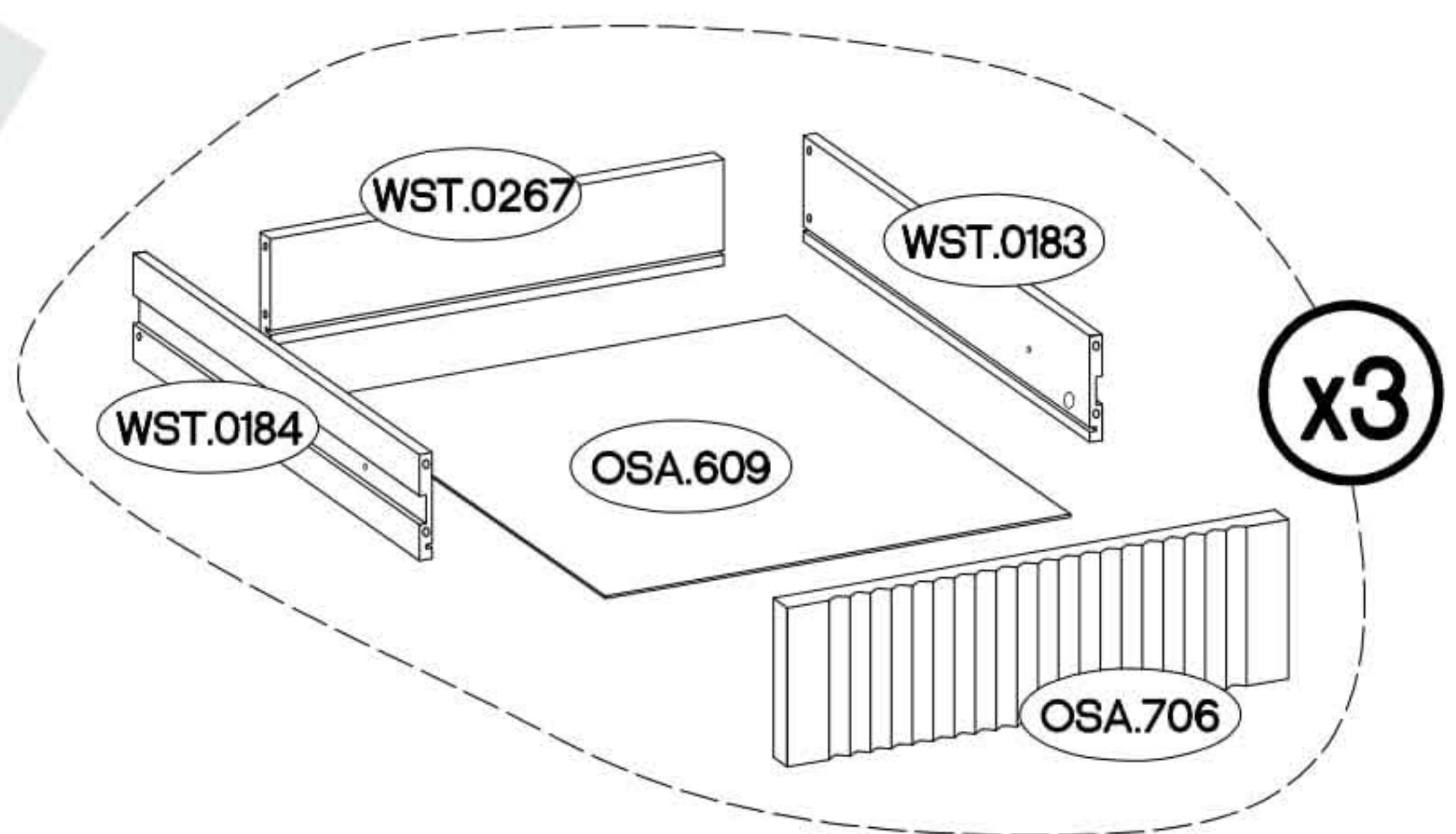


 †8x30mm A	 †6x42mm B2	 †15/12mm C								
36	6	20								
 C5	 L=20mm D2	 †20 E11	 L=150mm F34	 †35/9mm HG1	 †35/16mm HG2	 27/310mm I4	 †5/16mm J3	 †7/2mm J5	 †20/8mm J14	 L
6	26	12	5	2	4	3	12	3	4	24
 L2	 L9	 †6,3x13mm M2	 †6,3x20mm M3	 †10x50mm O7	 †4,0x16mm P1	 †3,5x13mm P5	 †3,0x20mm P7	 †4,0x16mm R11	 T3	 M4x9mm U1
14	1	8	4	1	6	13	14	15	3	6


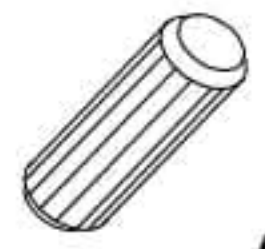
ISM-OSA-008

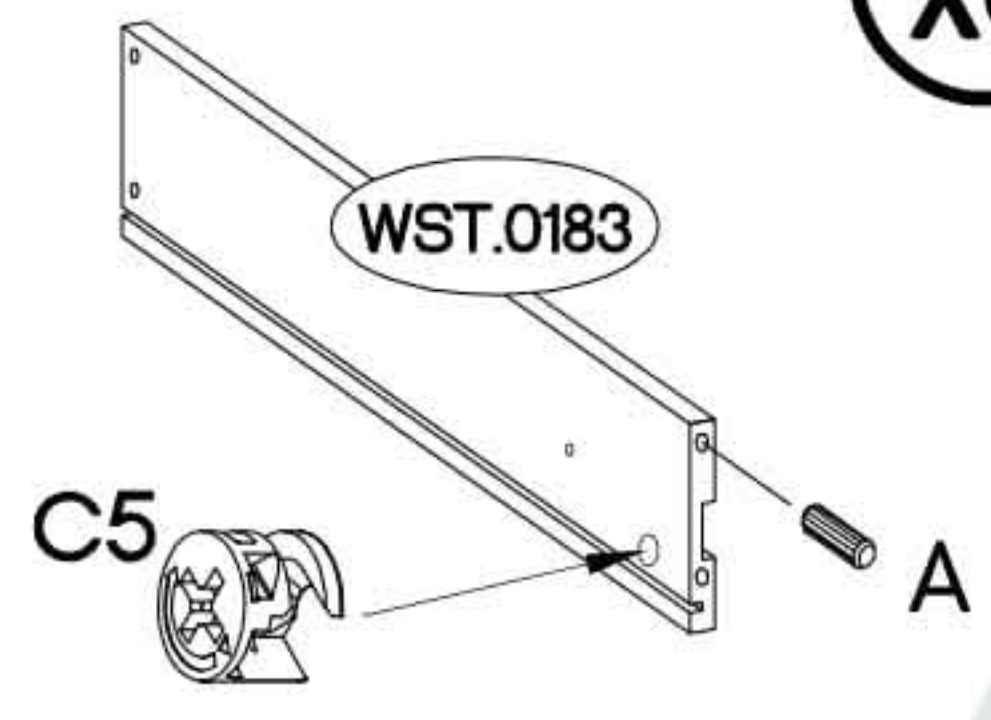
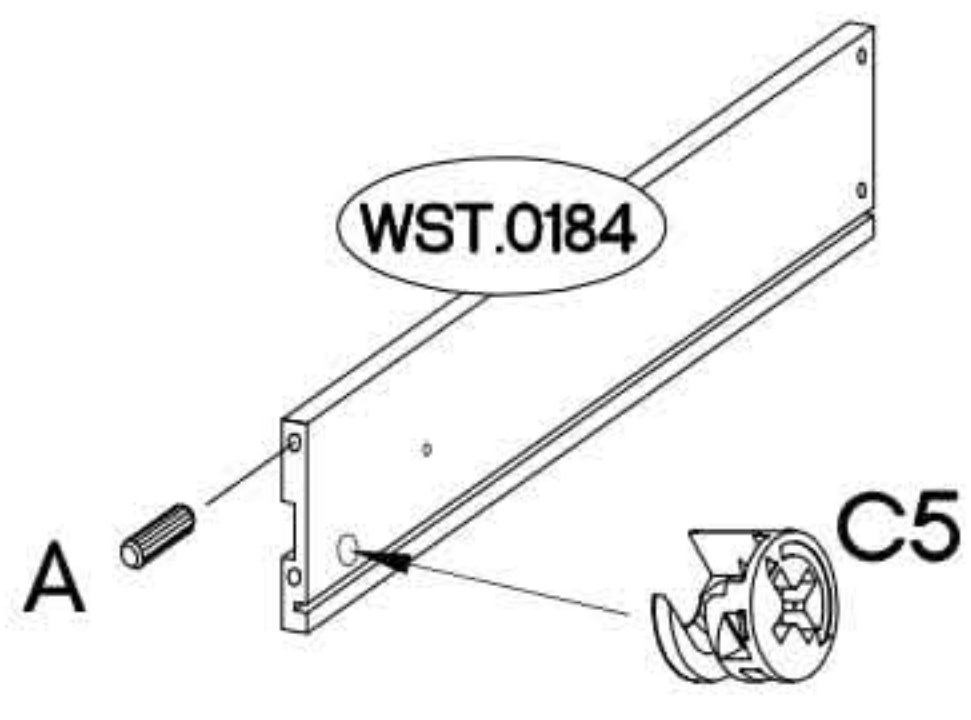
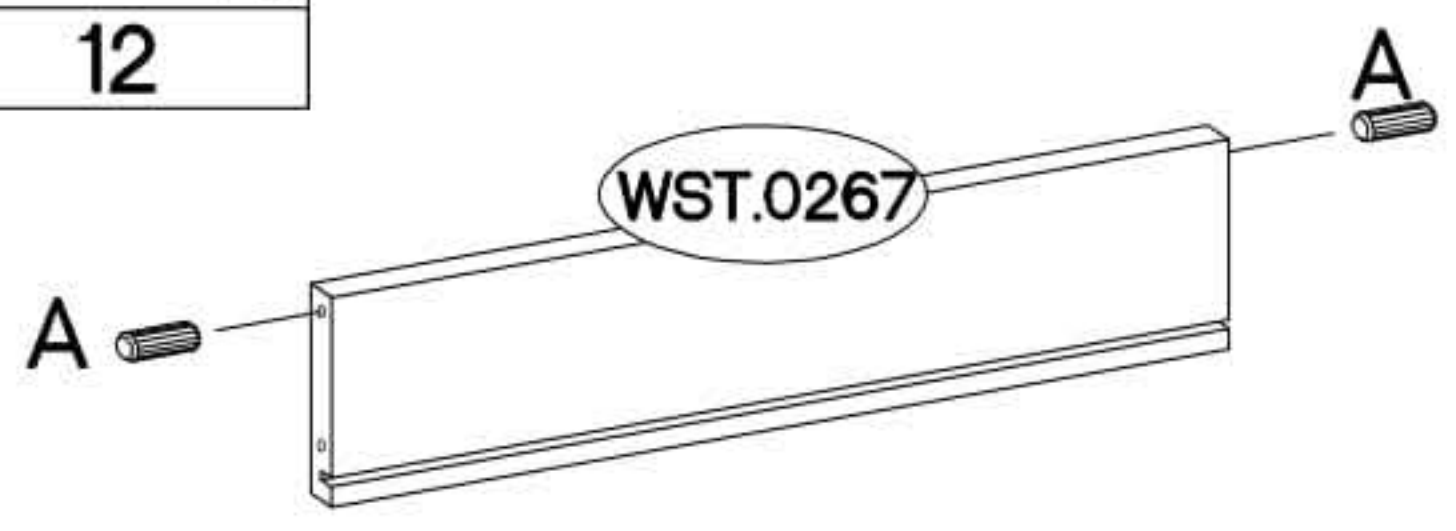


	Ersatzteil Nummer	Dimension
	OSA.107	818x399x16
	OSA.108	818x399x16
	OSA.505	589x357x16
	OSA.506	589x357x16
	OSA.507 x2	153x357x16
	OSA.613 x3	827x486x2,5
	WST.0183 x3	330x100x12
	WST.0184 x3	330x100x12
	OSA.706 x3	150x480x16
	OSA.707 x3	627x480x16
	OSA.209 x2	1486x400x16
	OSA.916	1452x120x16
	OSA.917	1452x60x16
	OSA.303 x2	475x340x16
	OSA.304	467x340x16
	OSA.609 x3	445x327x2,5
	WST.0267 x3	434x100x12

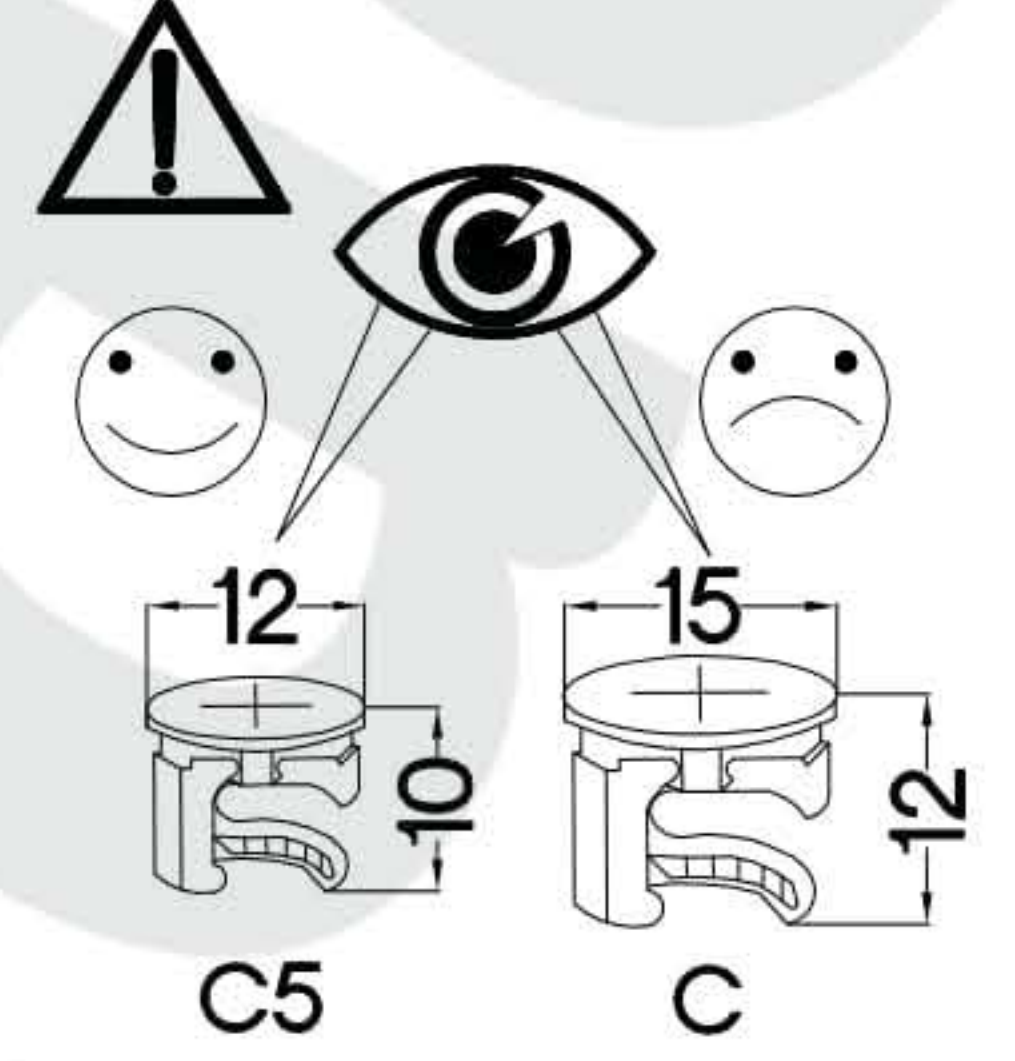


1

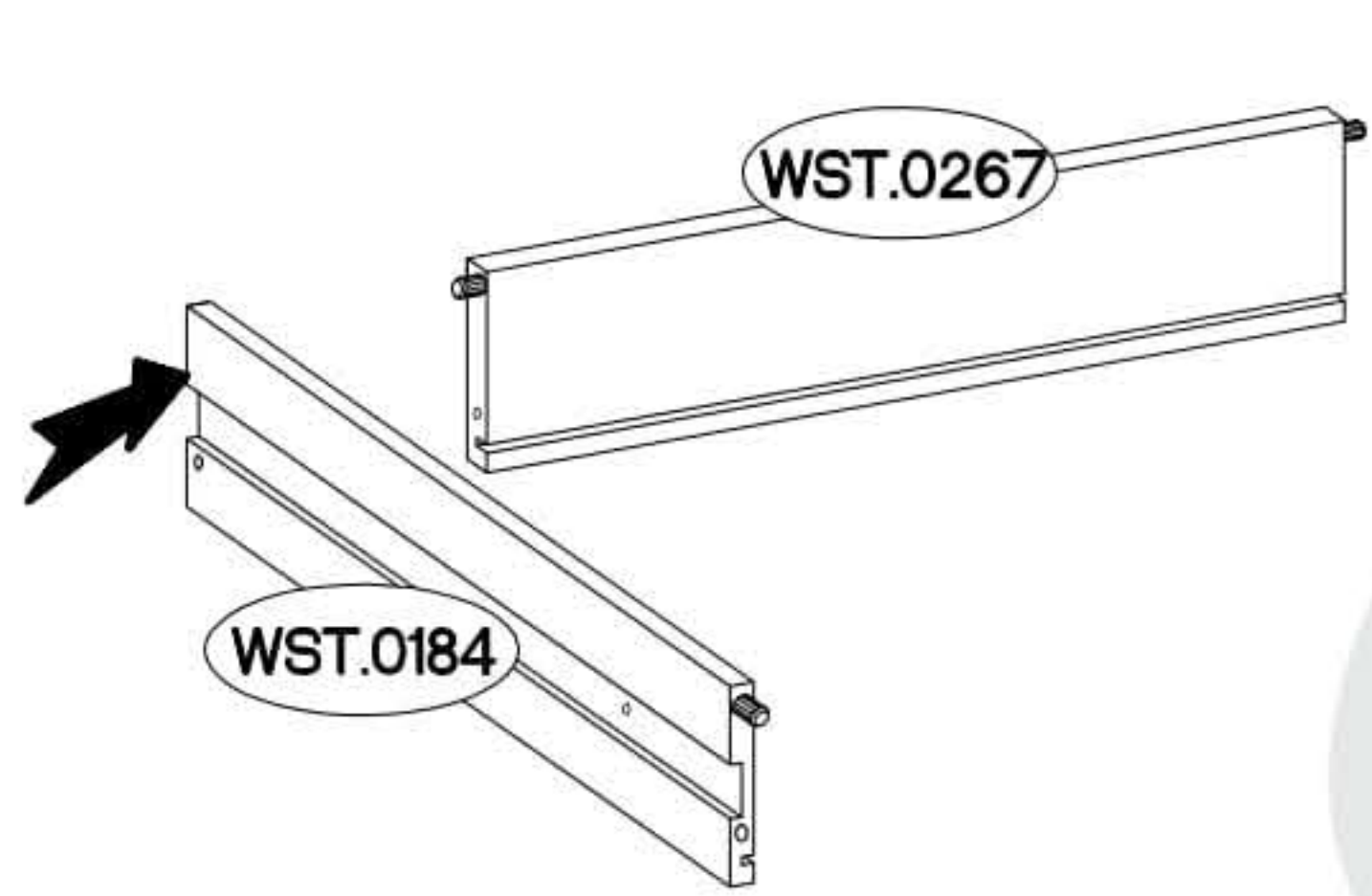
±12/10mm  C5 6	±8x30mm  A 12
---	--




x3

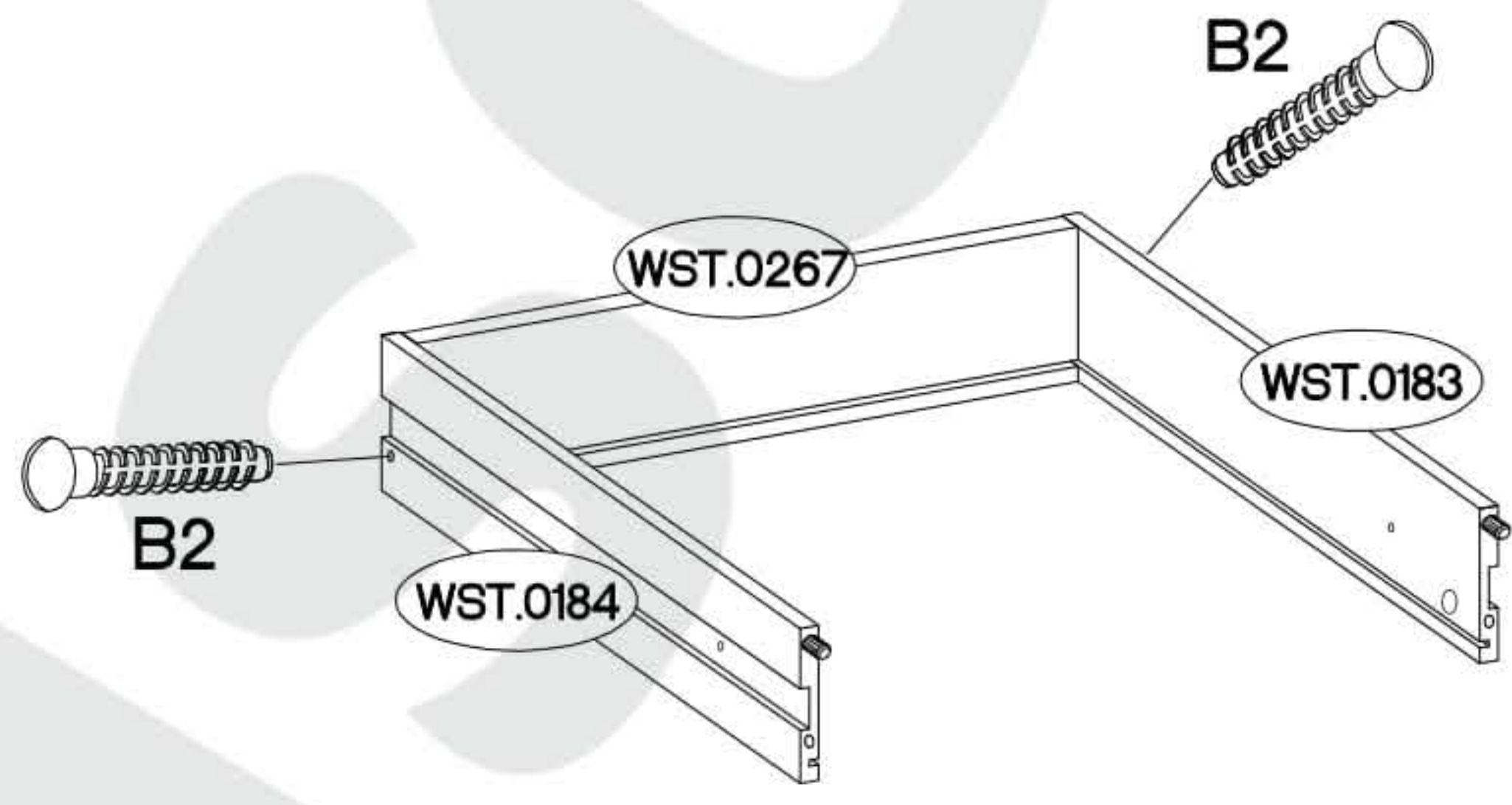
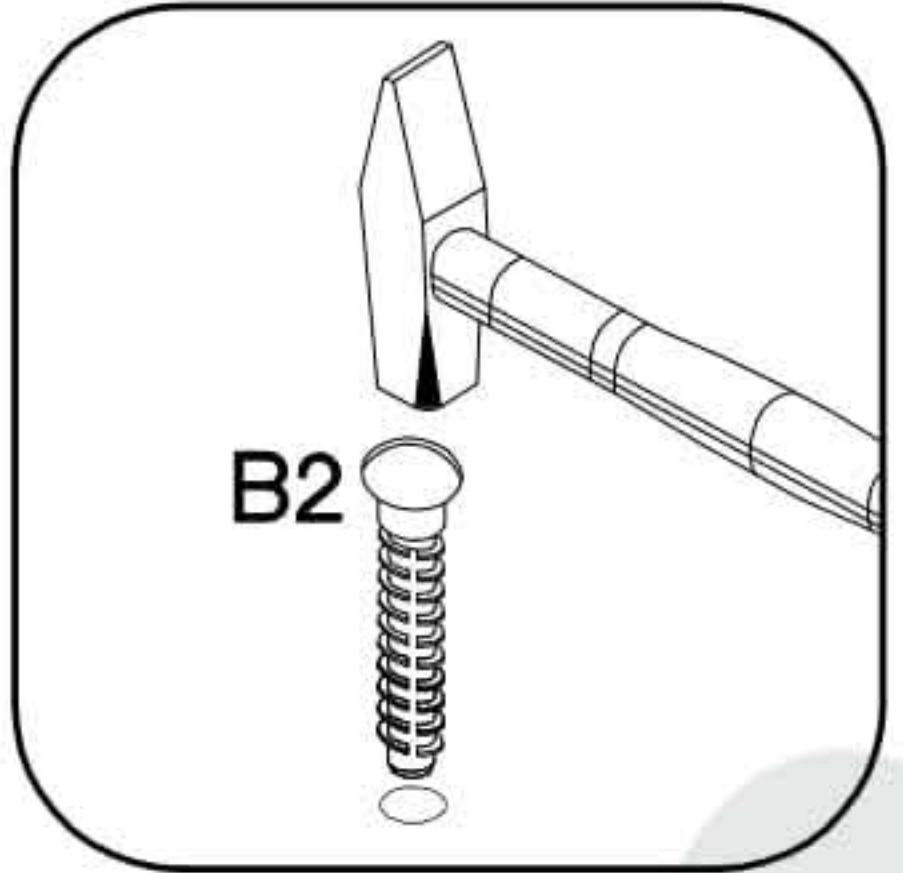


2



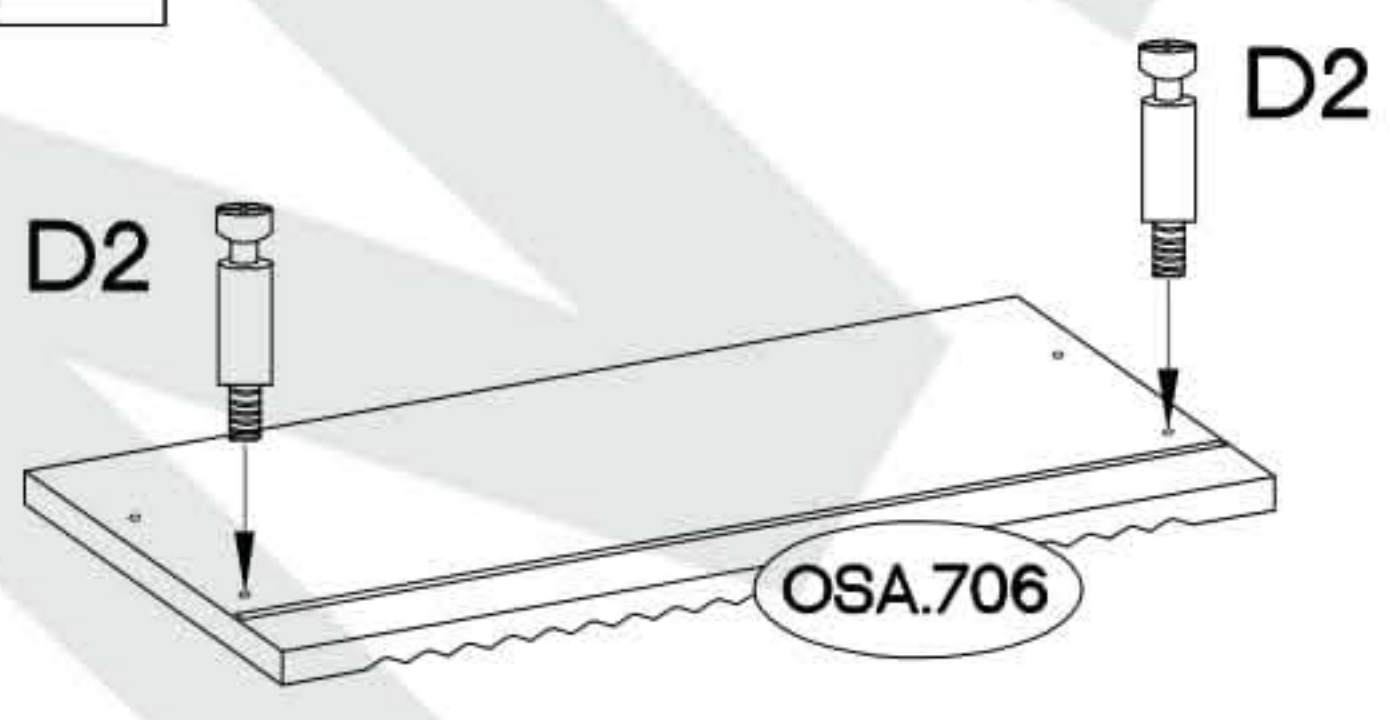
x3

±6x42mm  B2 6



3

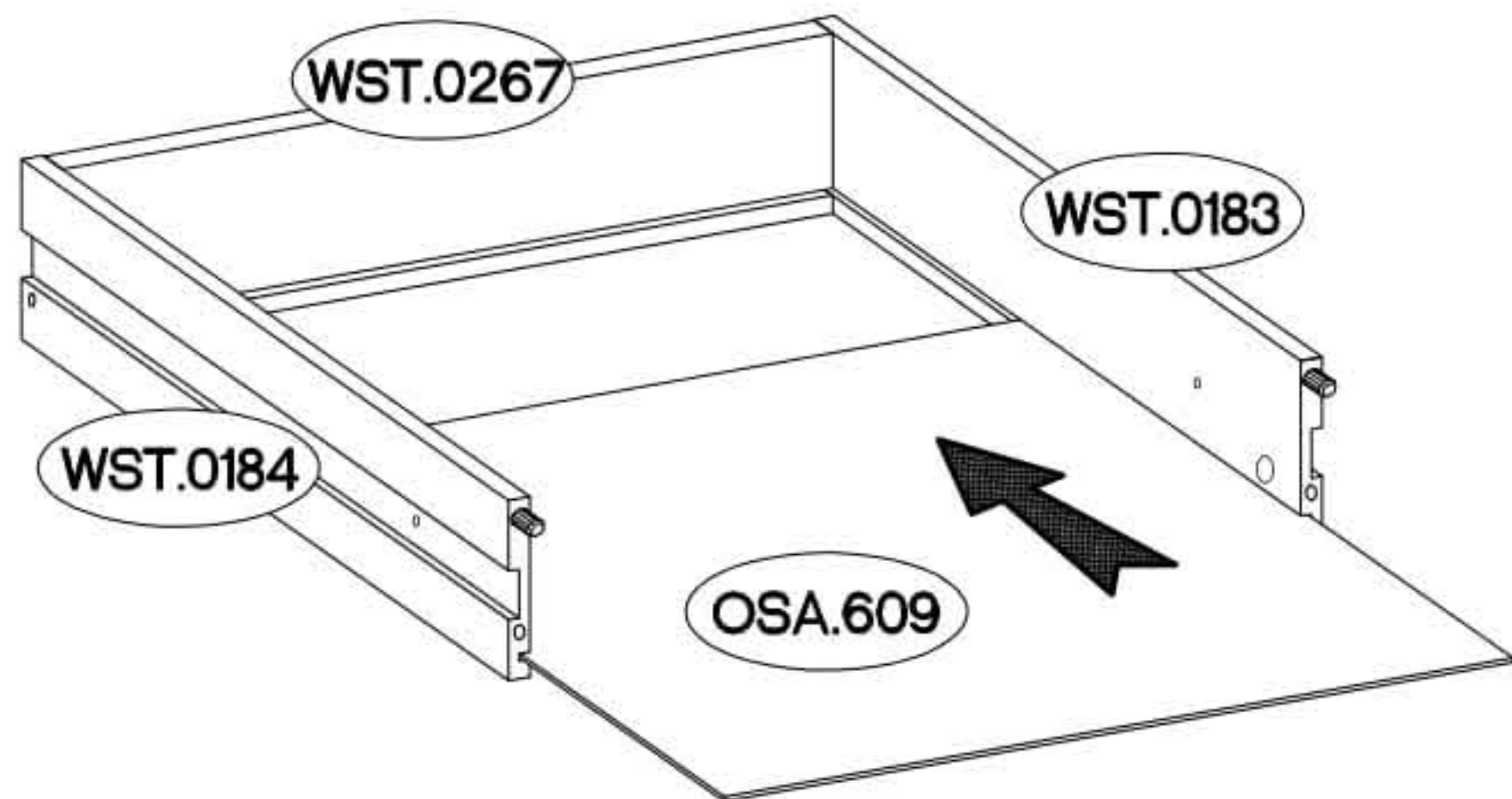
L=20mm  D2 6
--



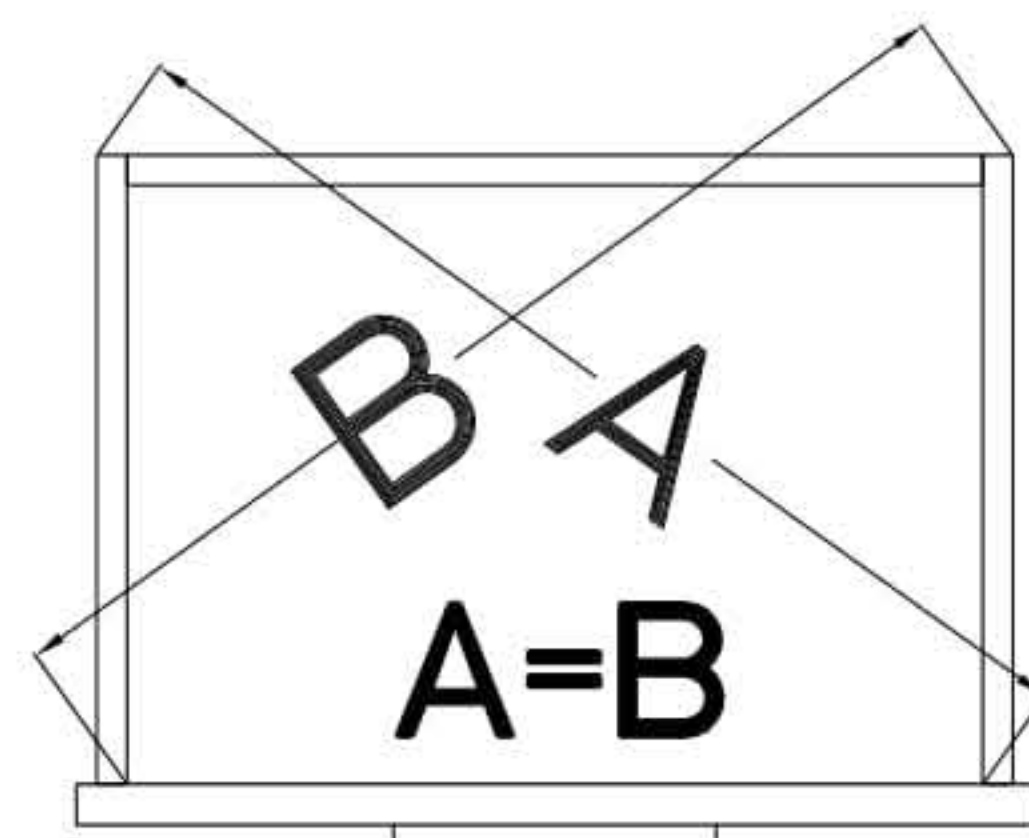
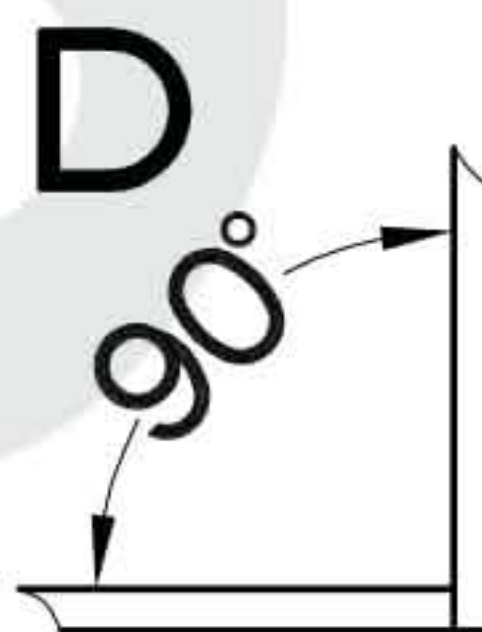
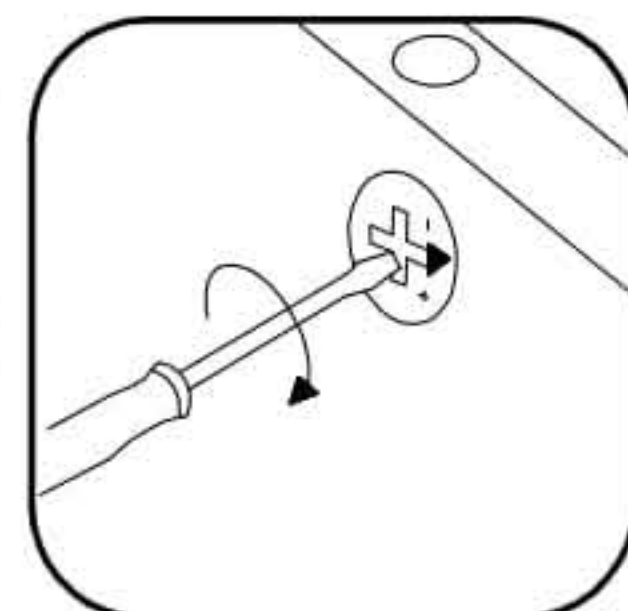
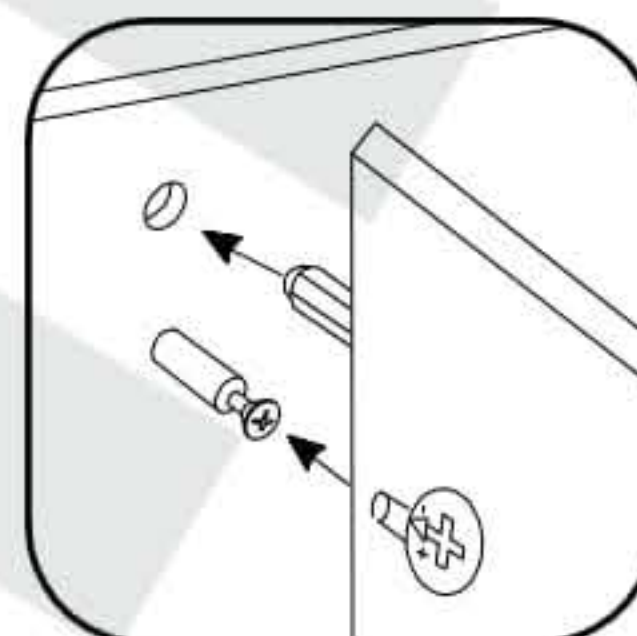
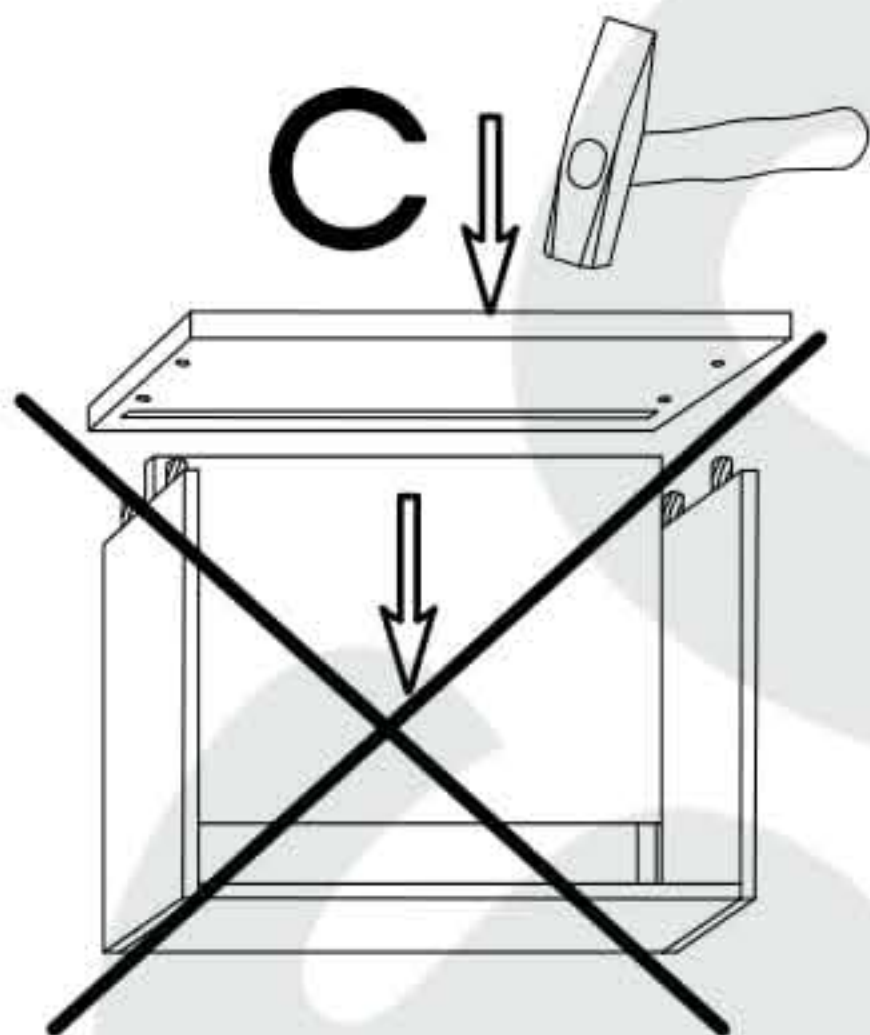
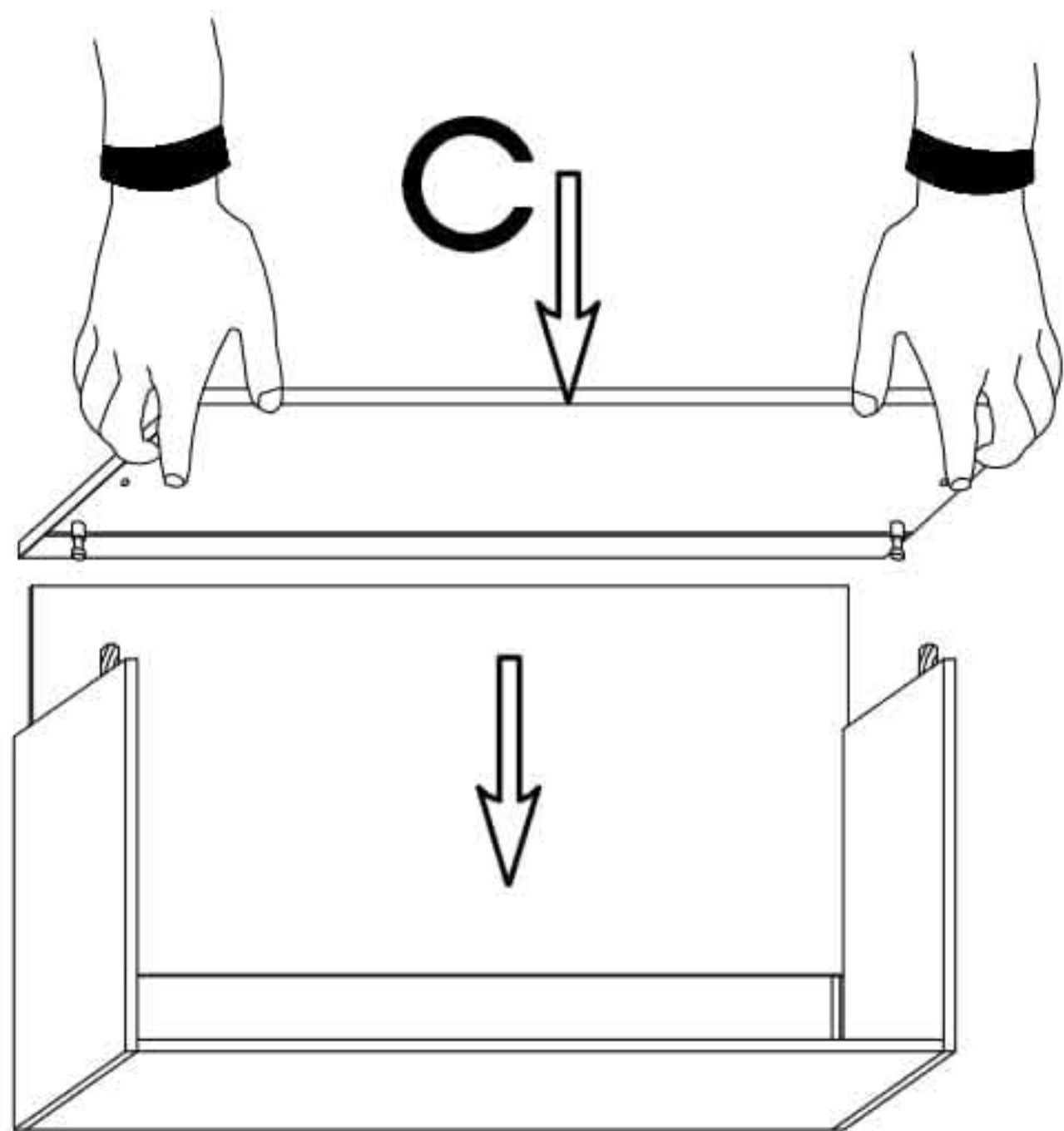
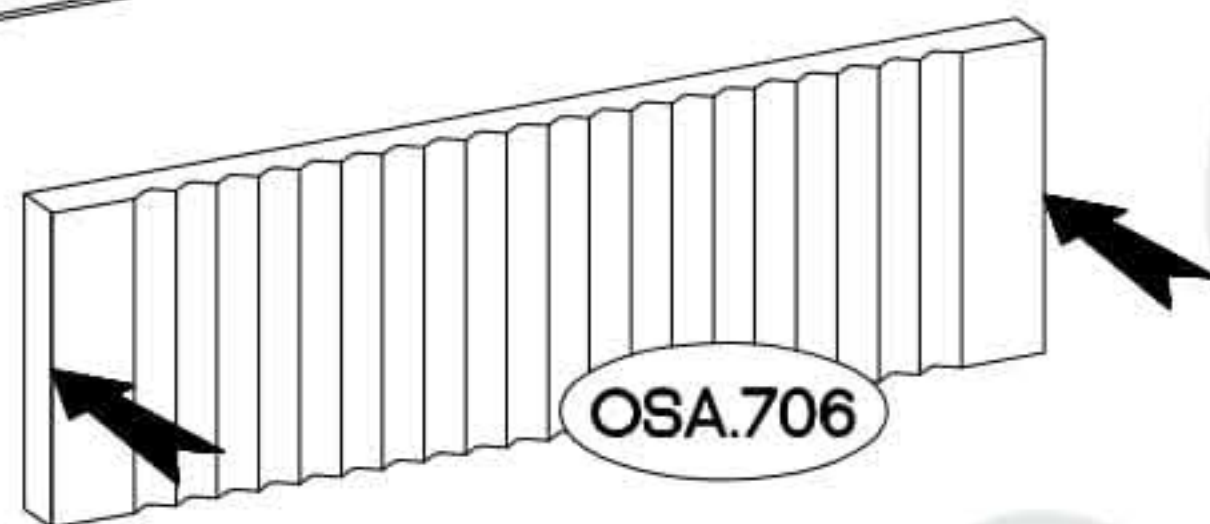
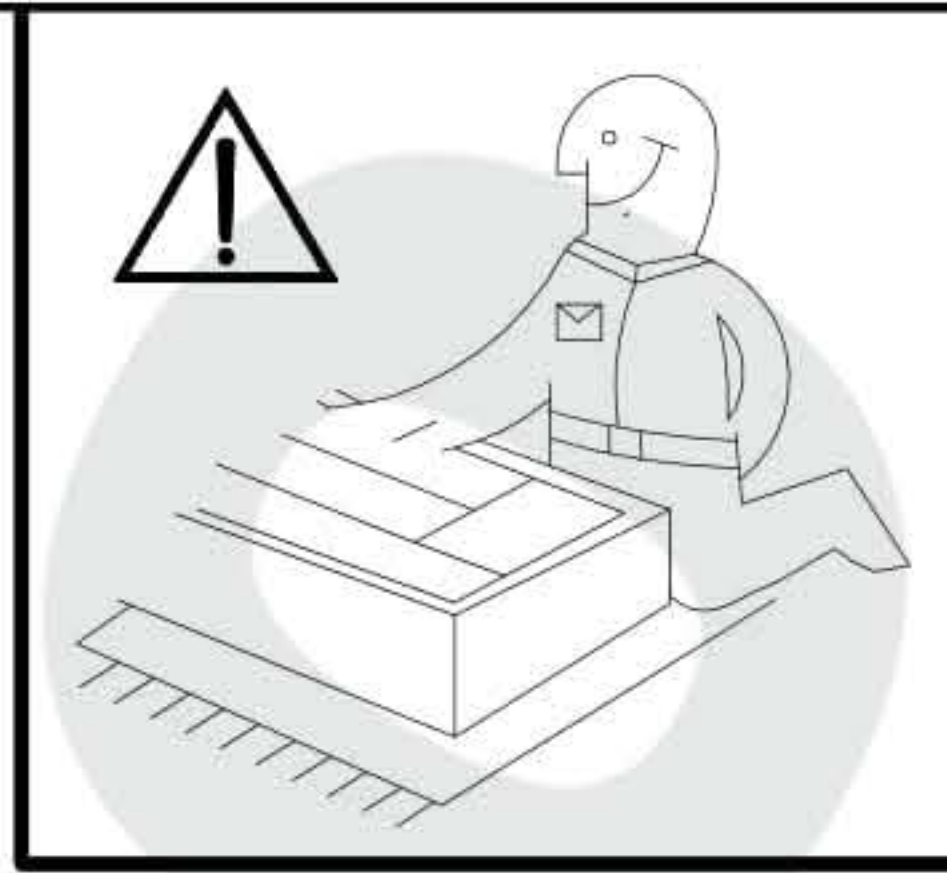
x3



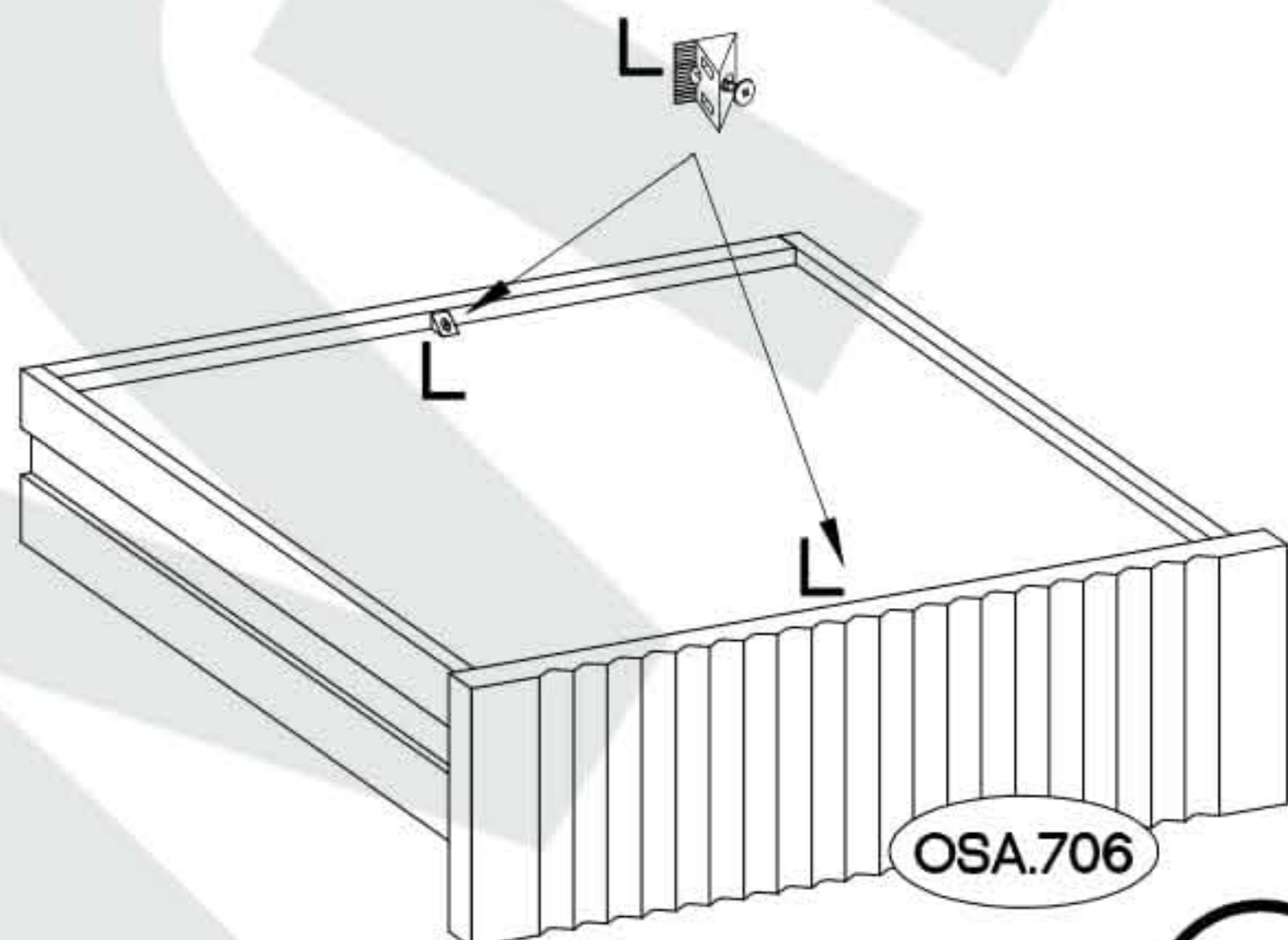
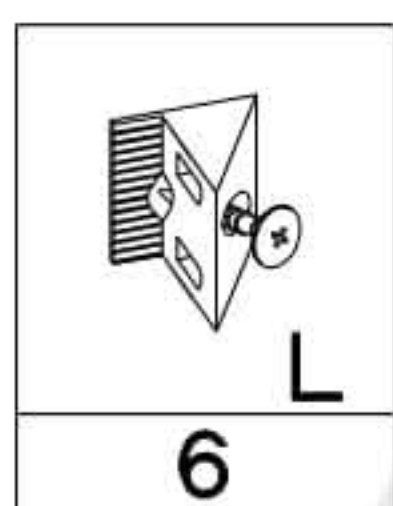
4



x3

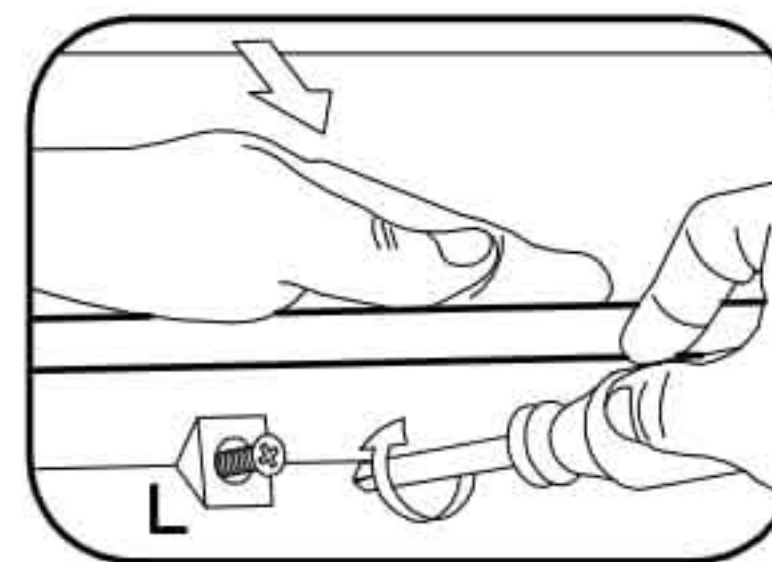
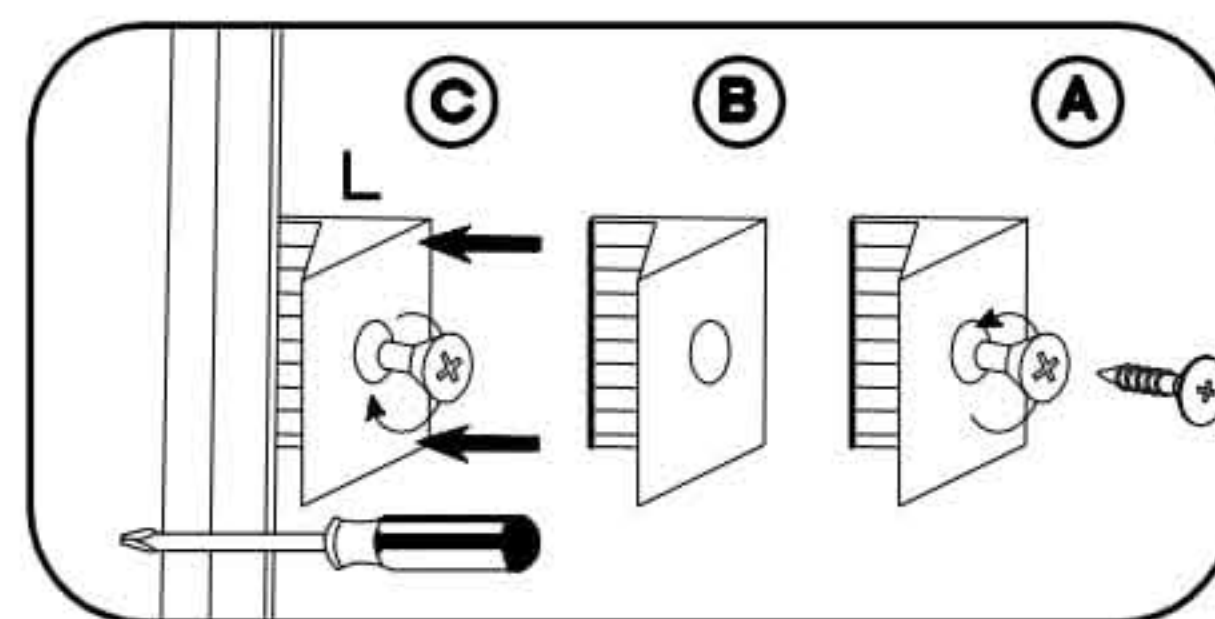


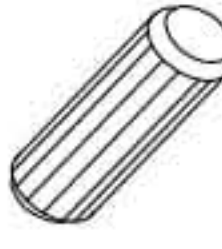


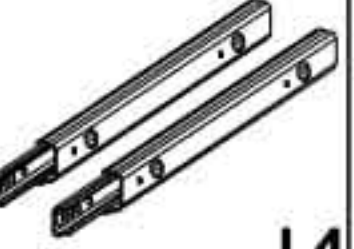



5

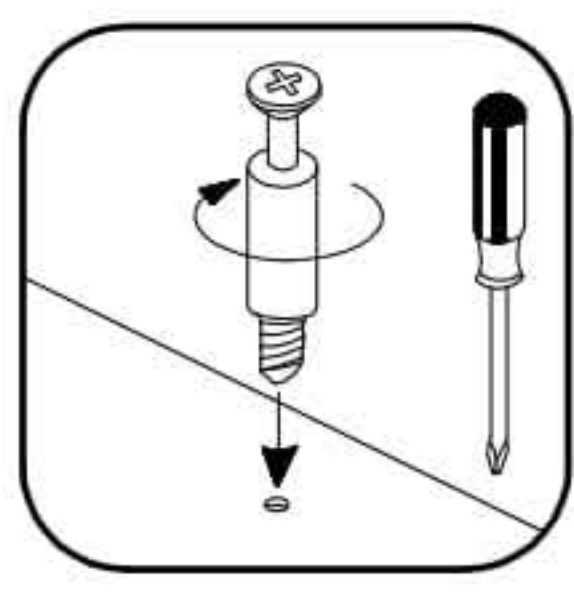
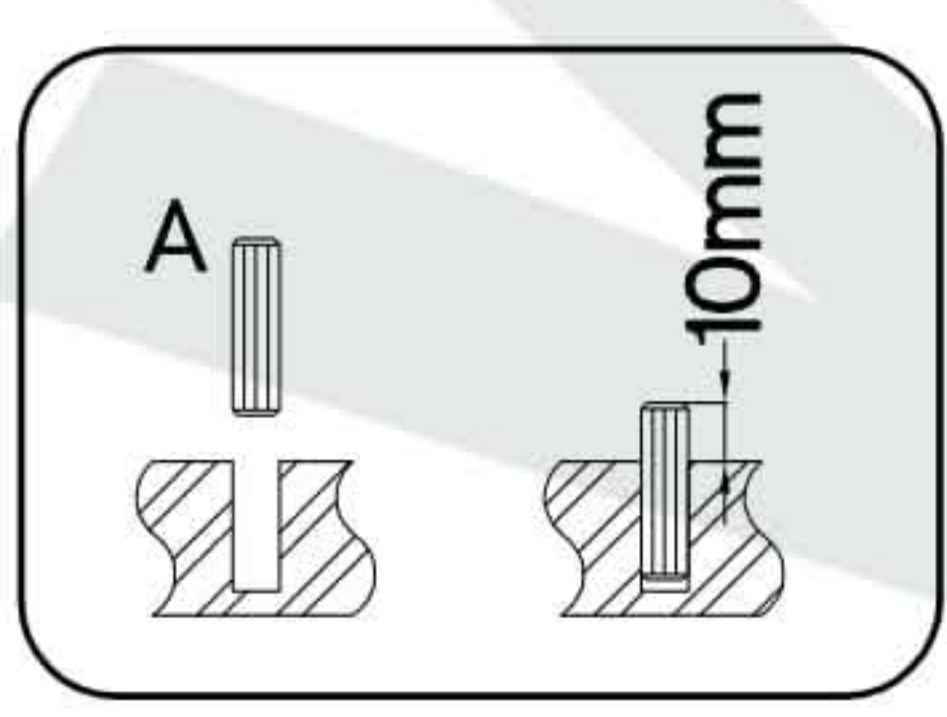
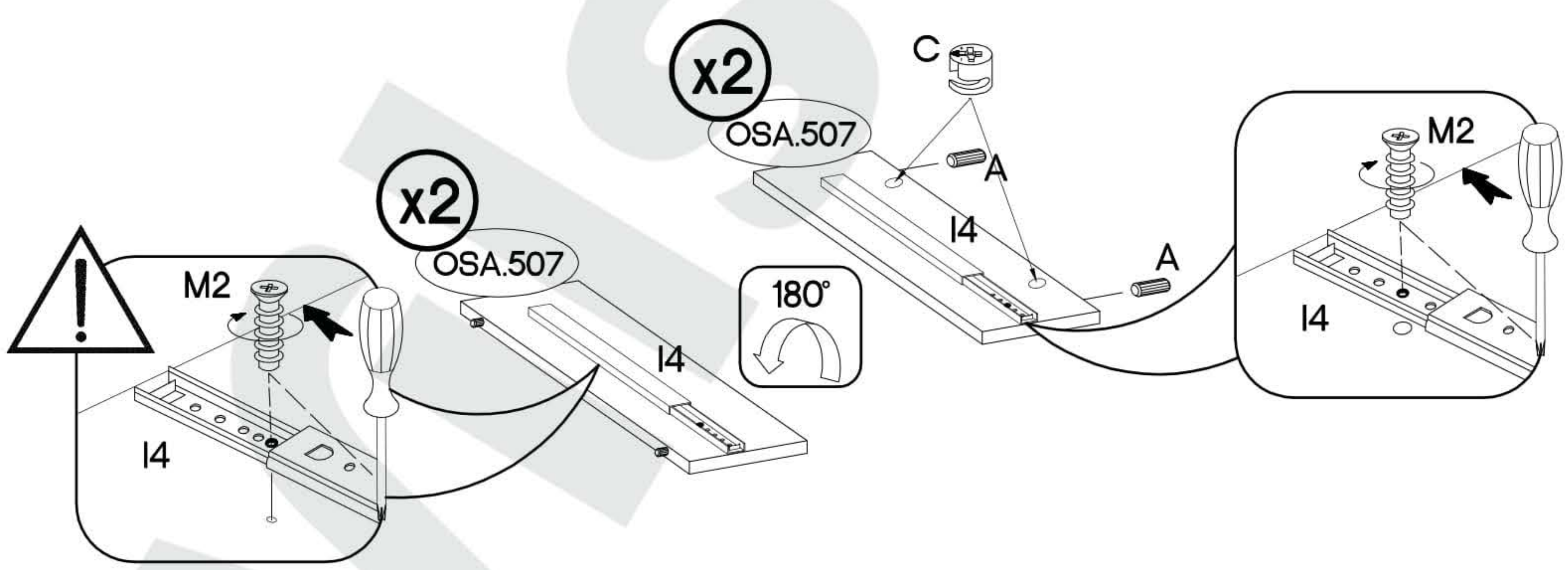
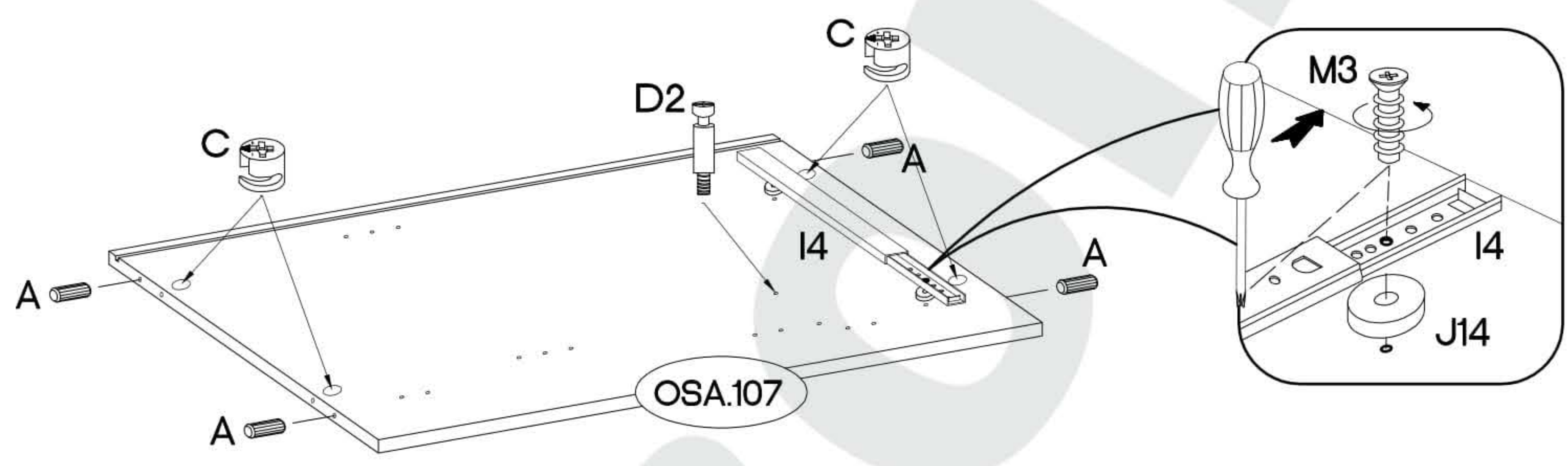
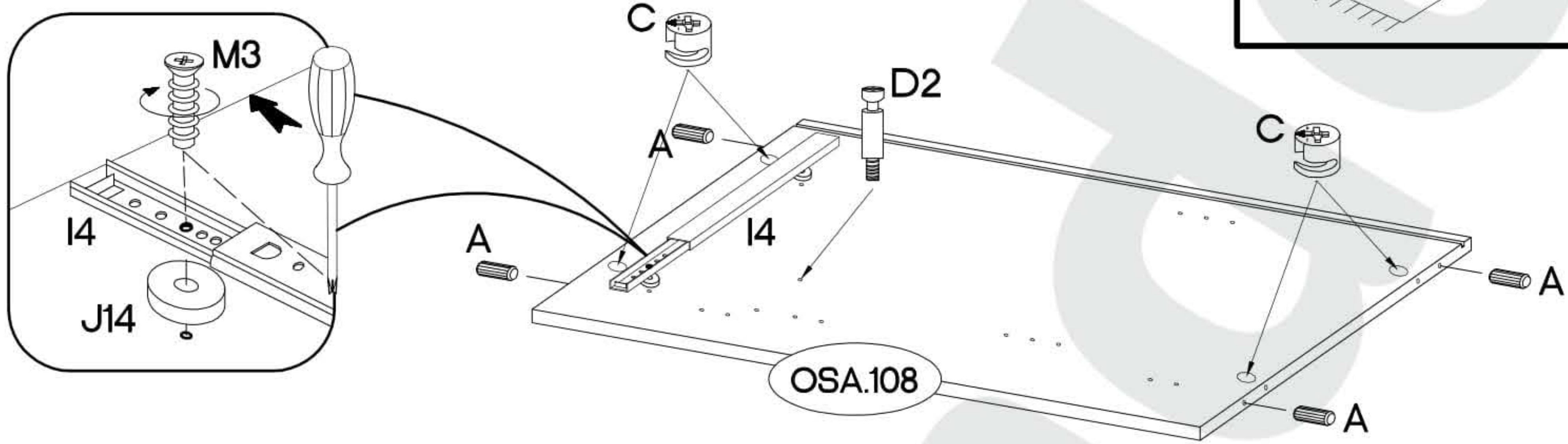
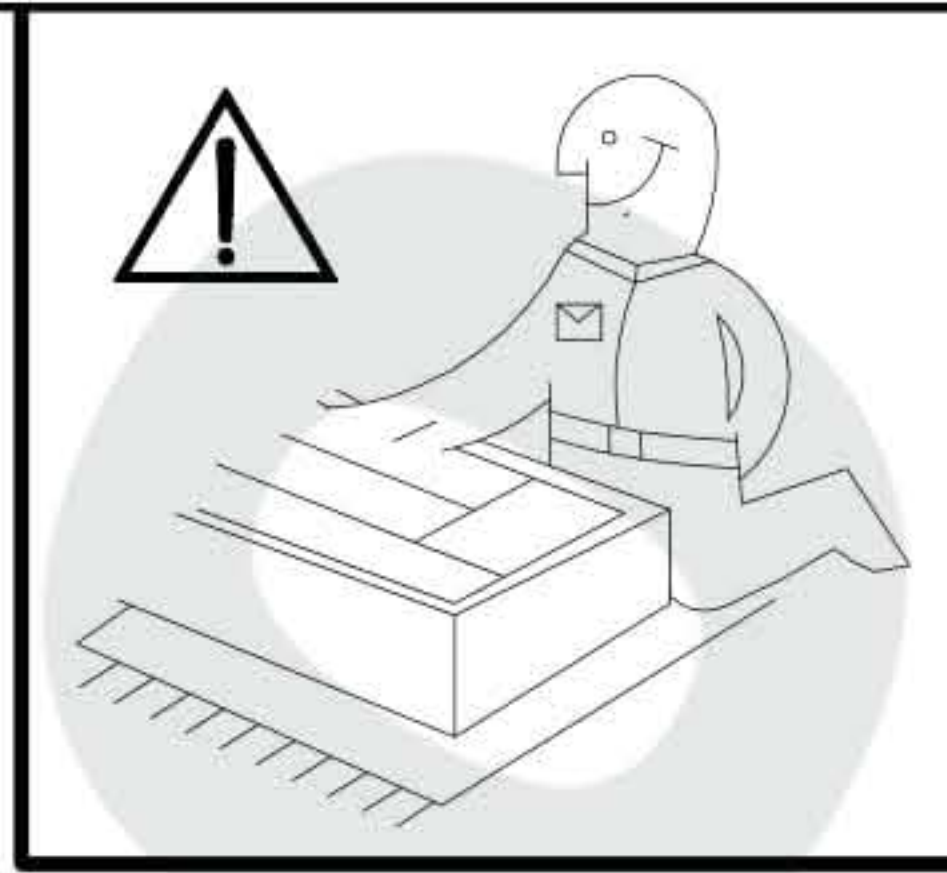





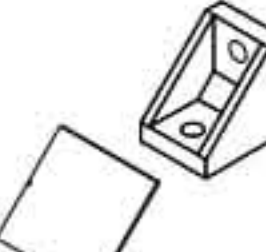

OSA.706

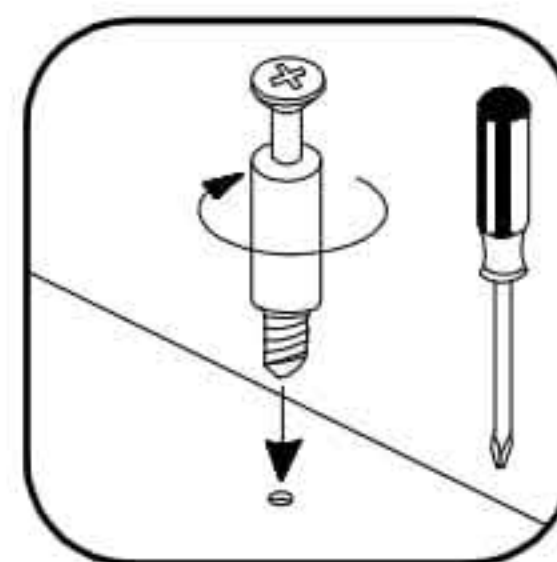
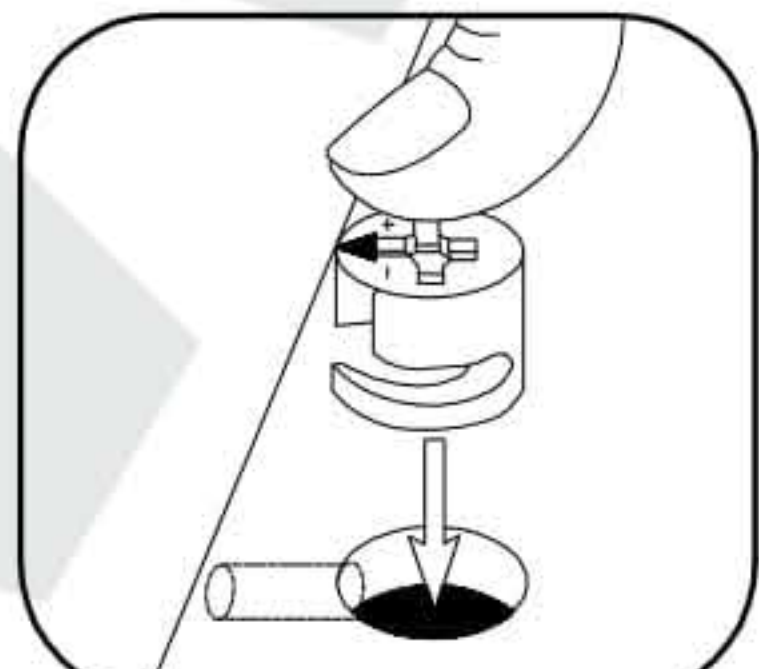
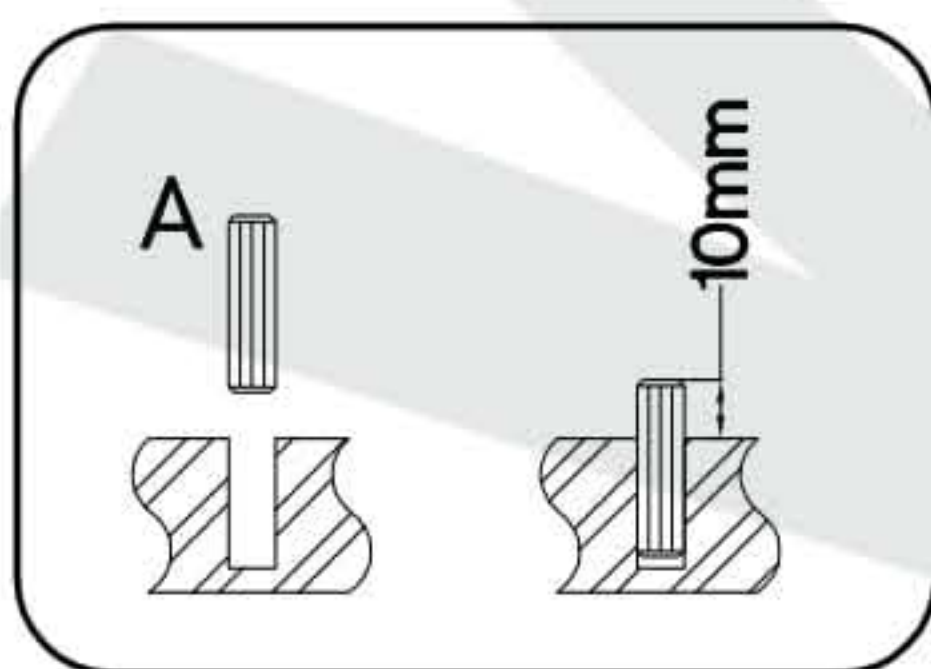
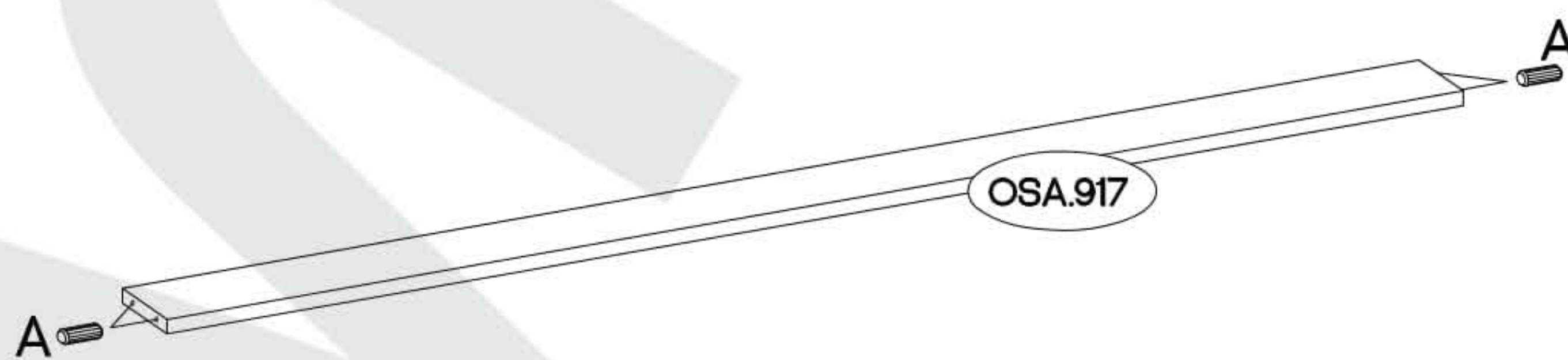
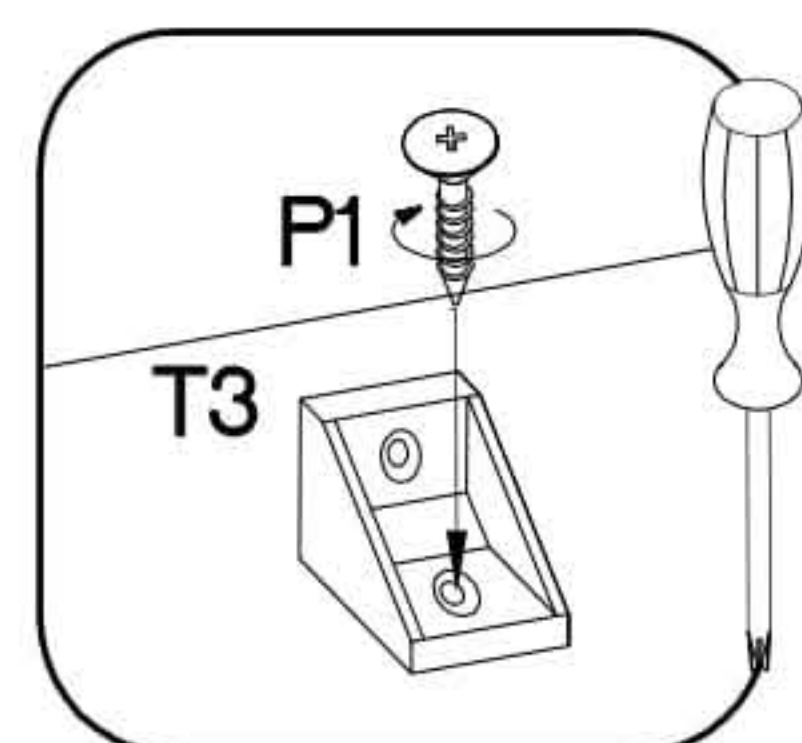
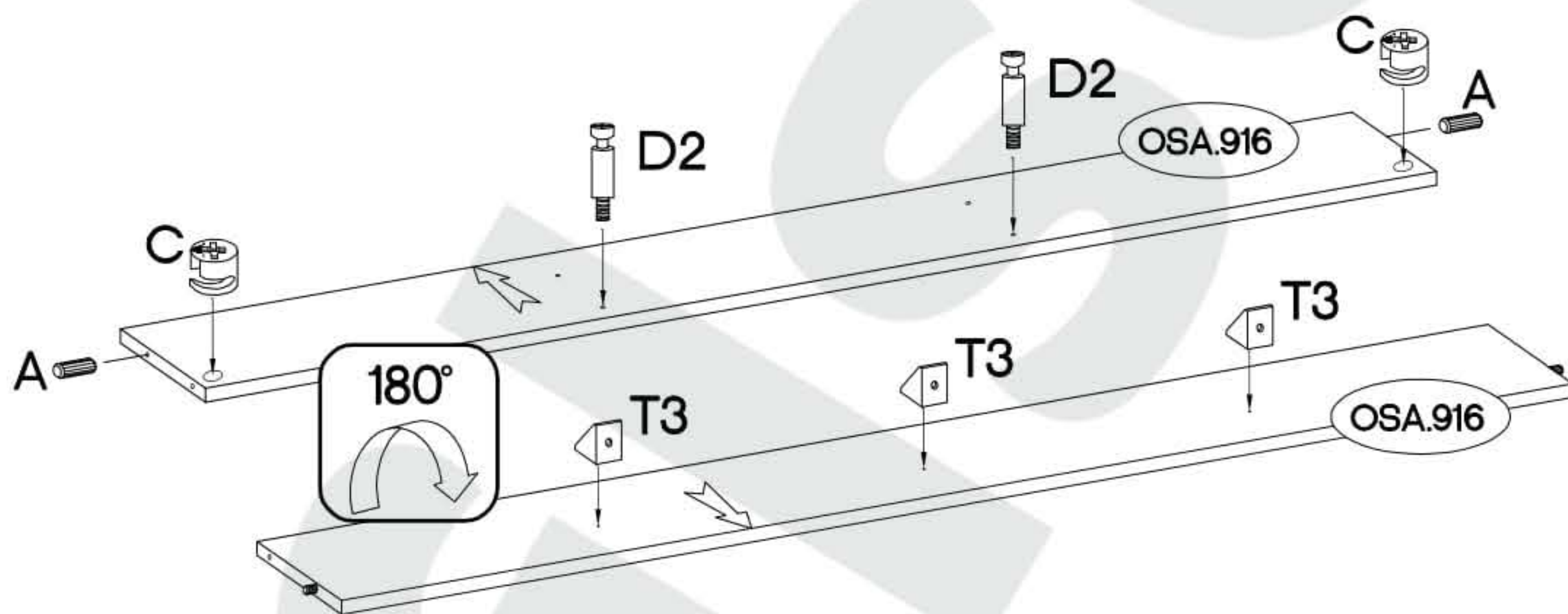
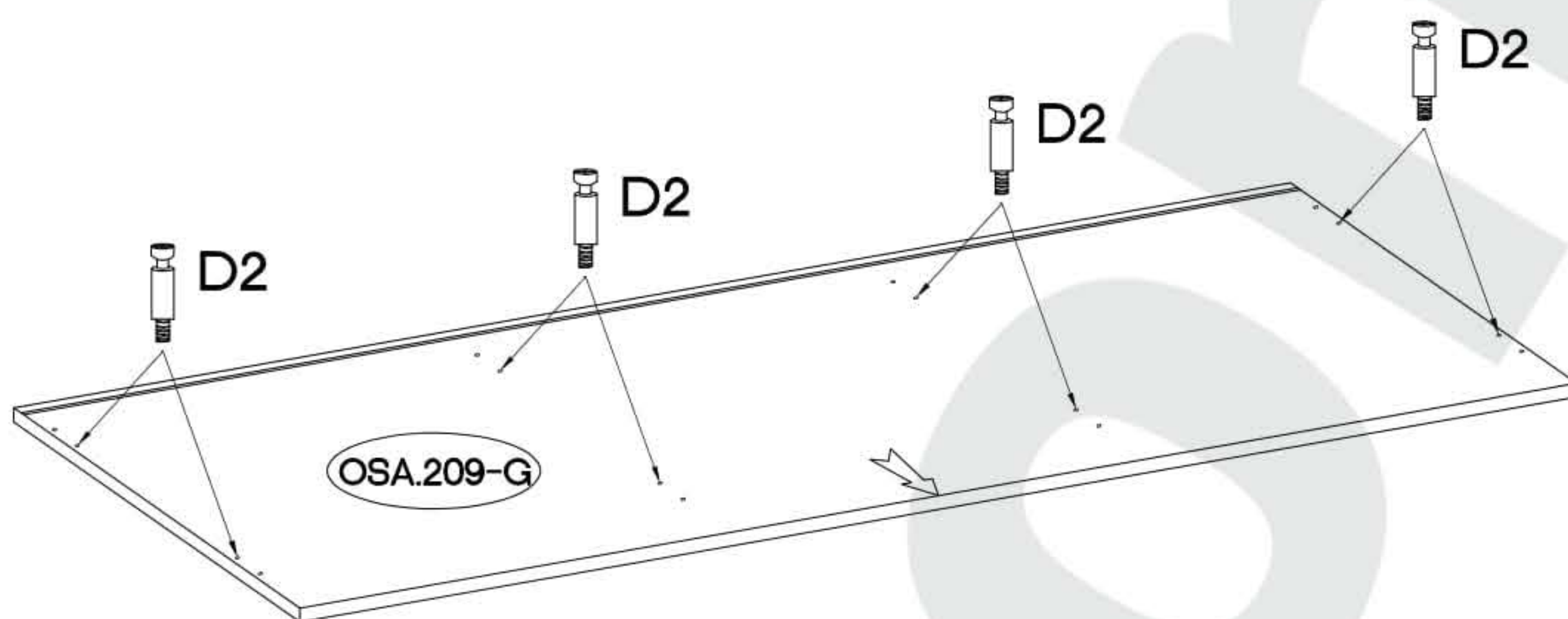
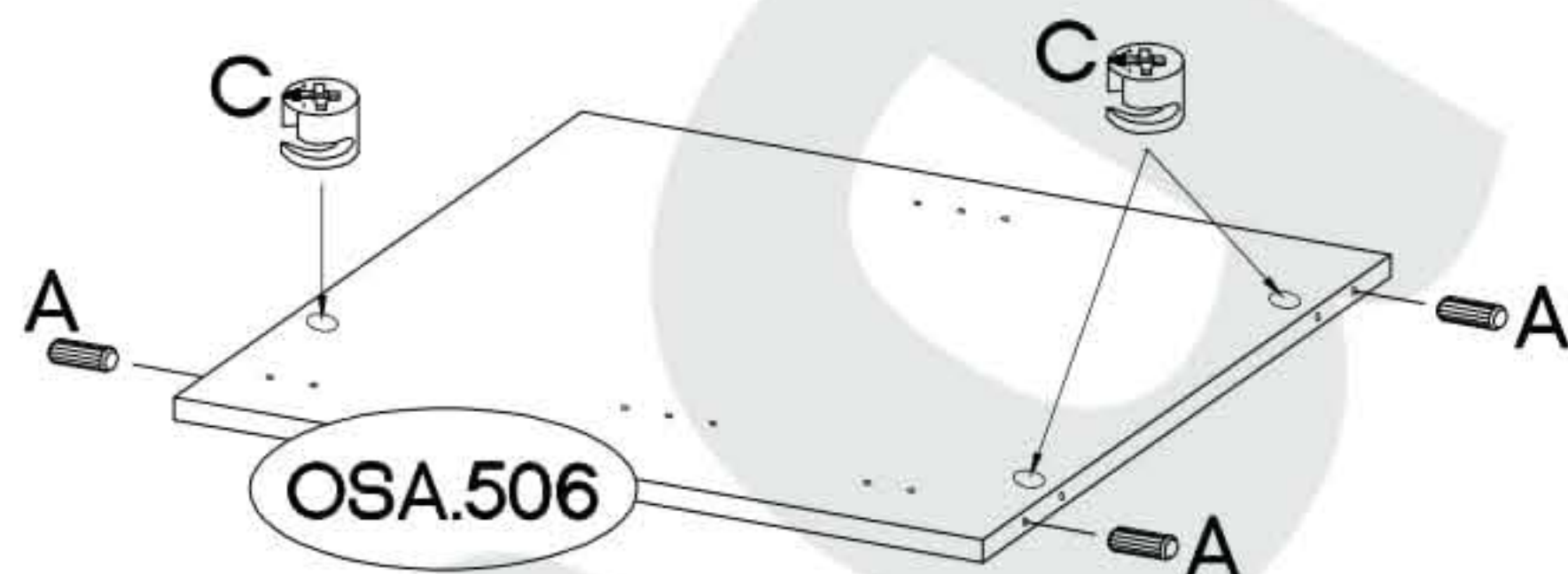
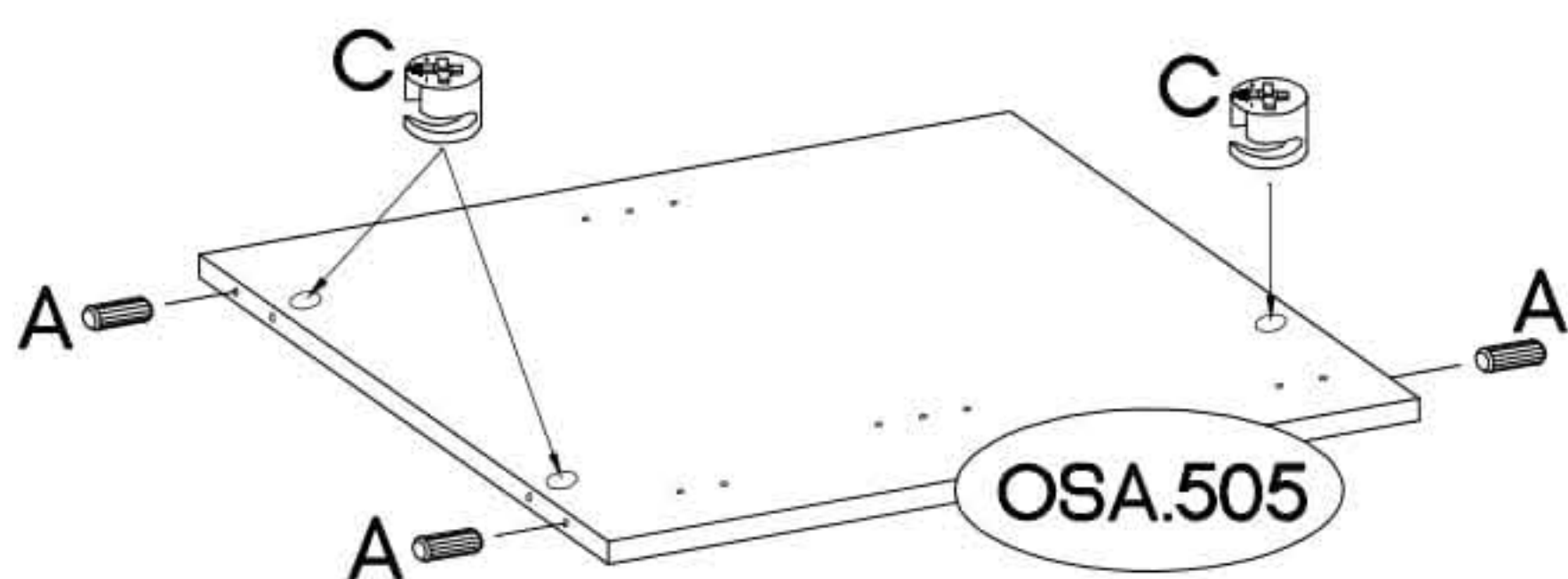
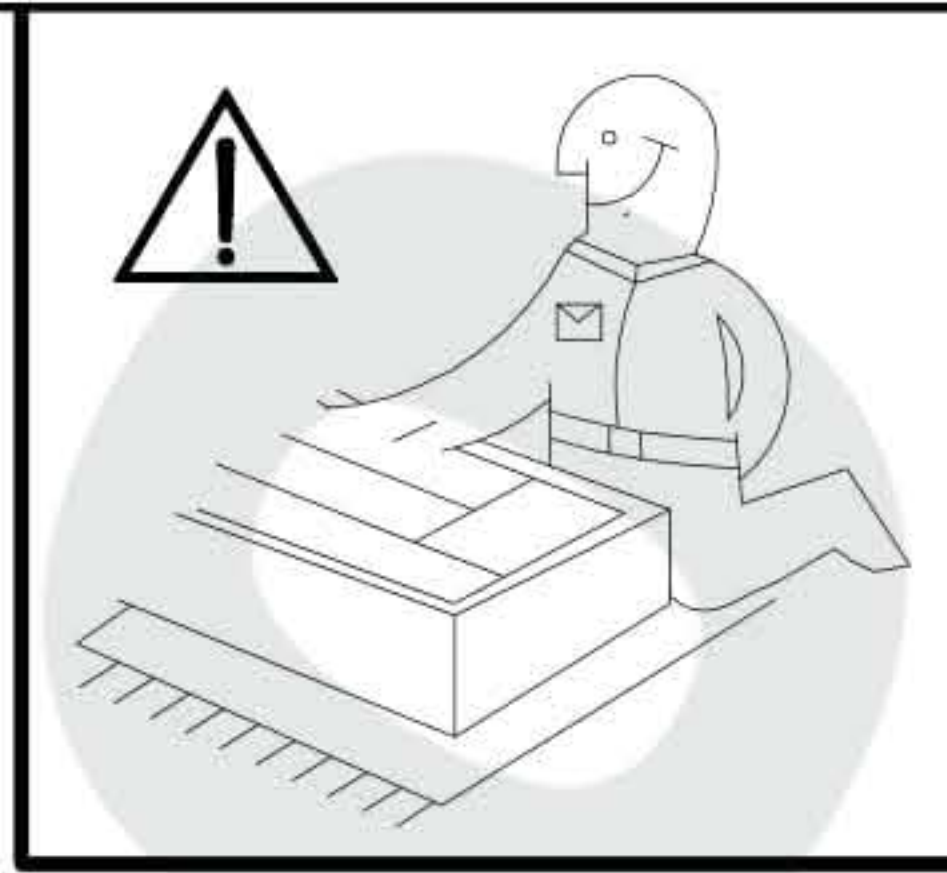
x3



†8x30mm  A 12	†15/12mm  C 12	L=20mm  D2 2	27/310mm  I4 3	†6,3x13mm  M2 8	†6.3x20mm  M3 4	†20/8mm  J14 4
--	---	---	---	---	--	---

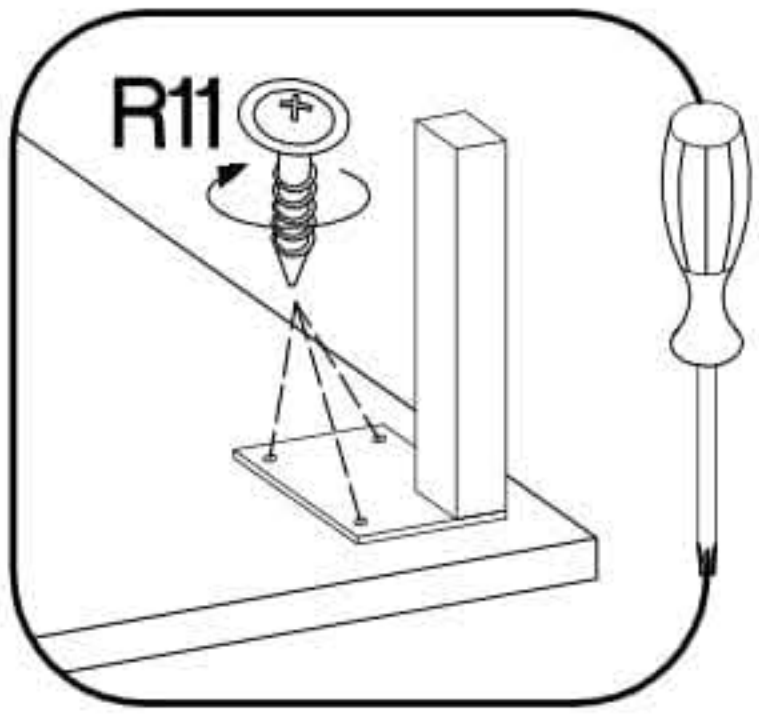
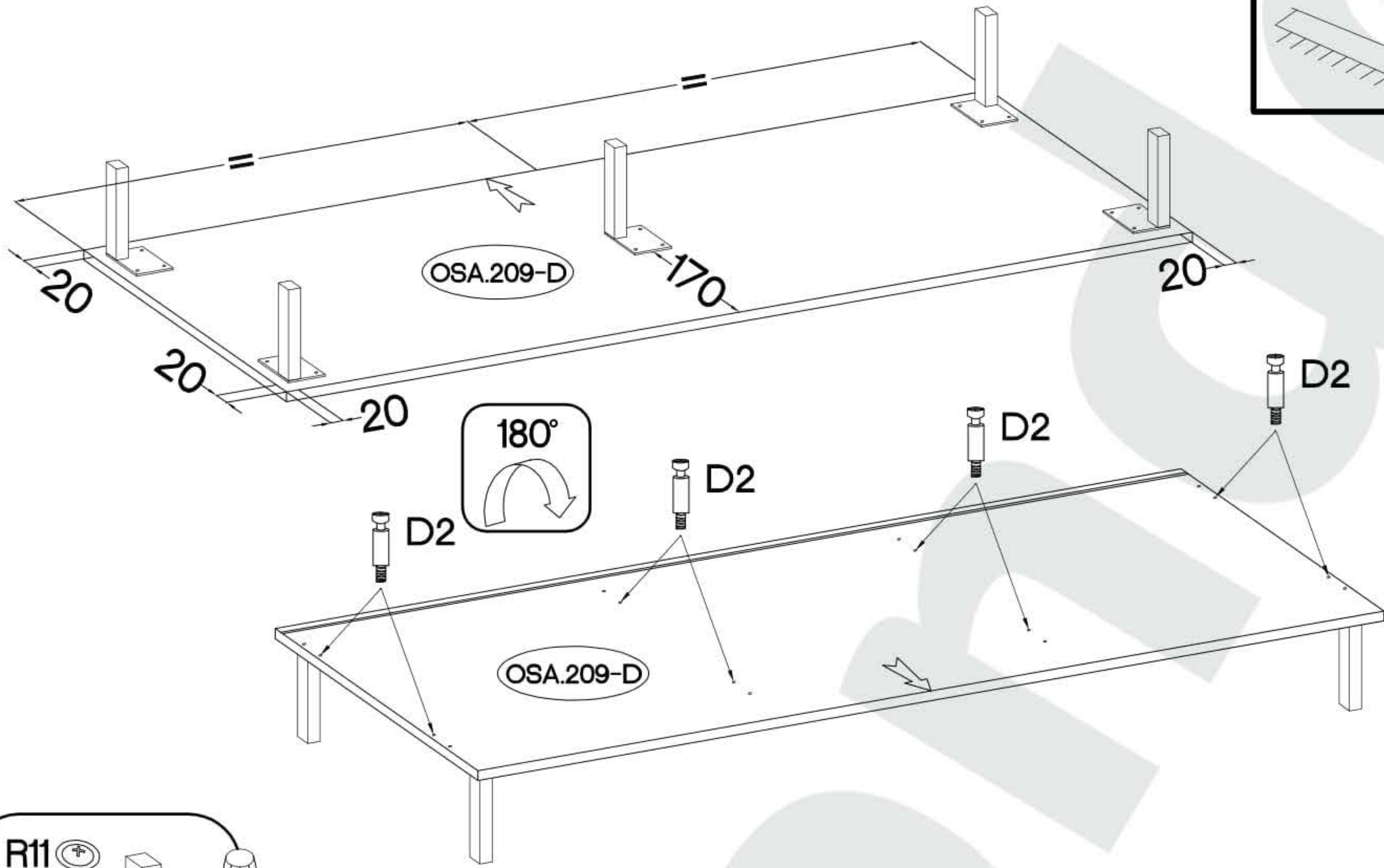
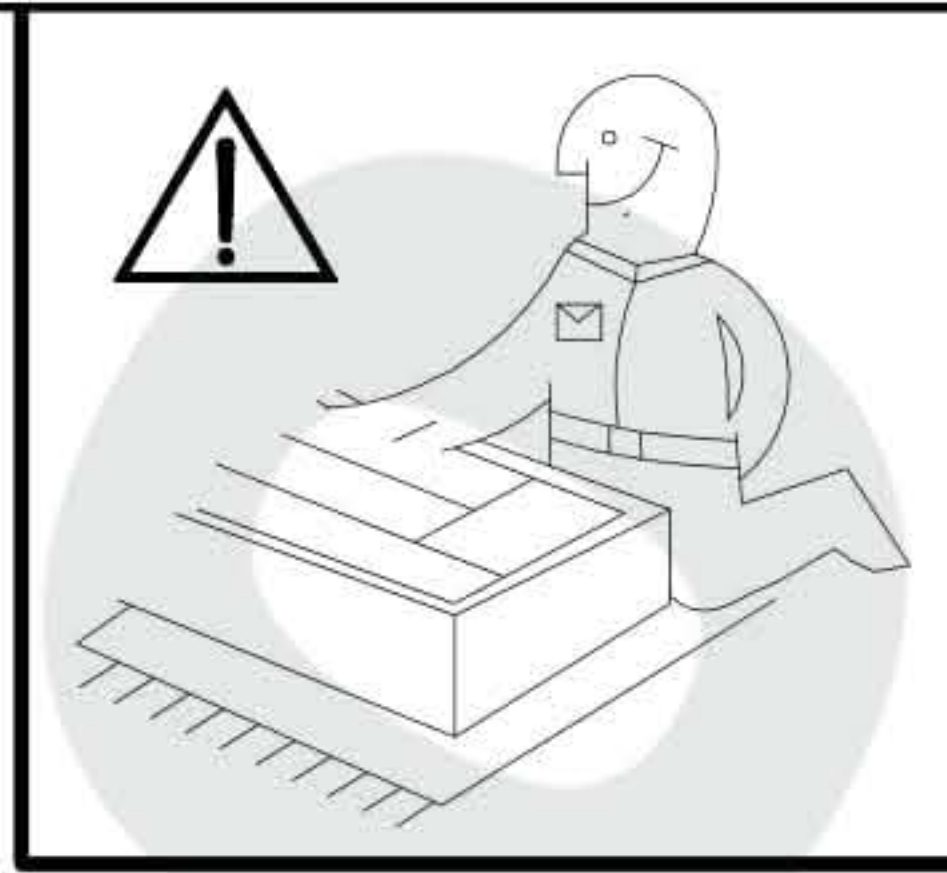


 †8x30mm A 12	 †15/12mm C 8	 L=20mm D2 10	 T3 3	 †4.0x16mm P1 3
--	--	--	--	---

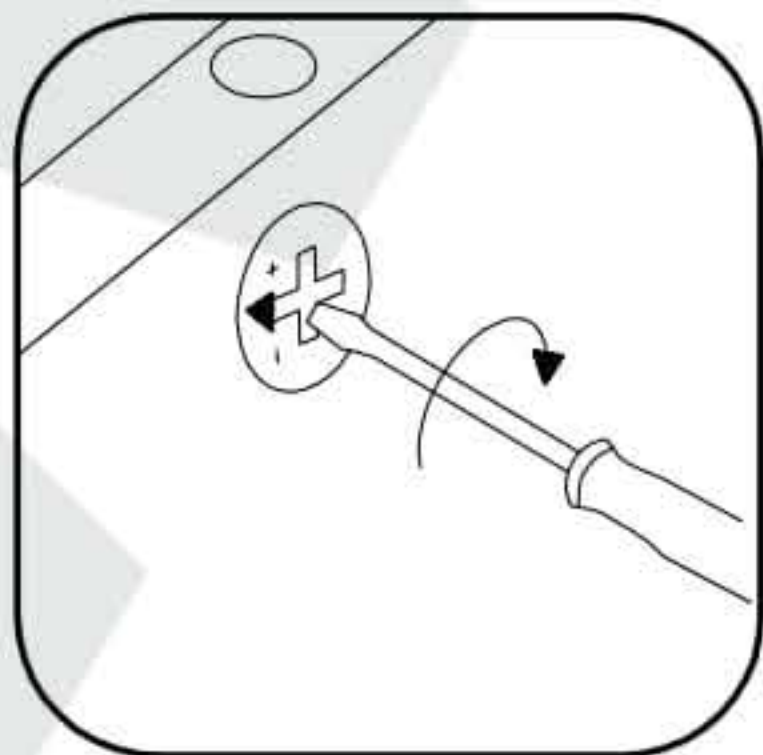
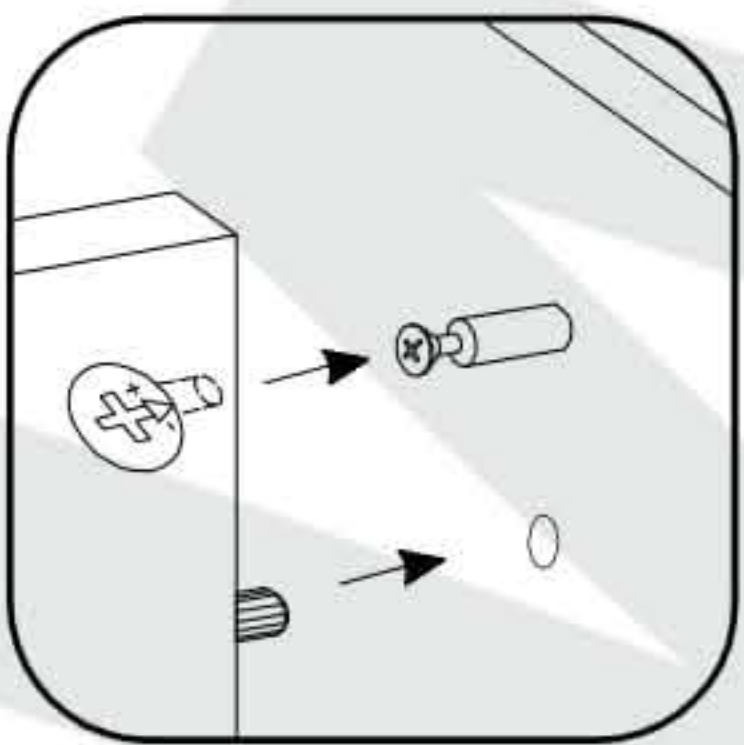
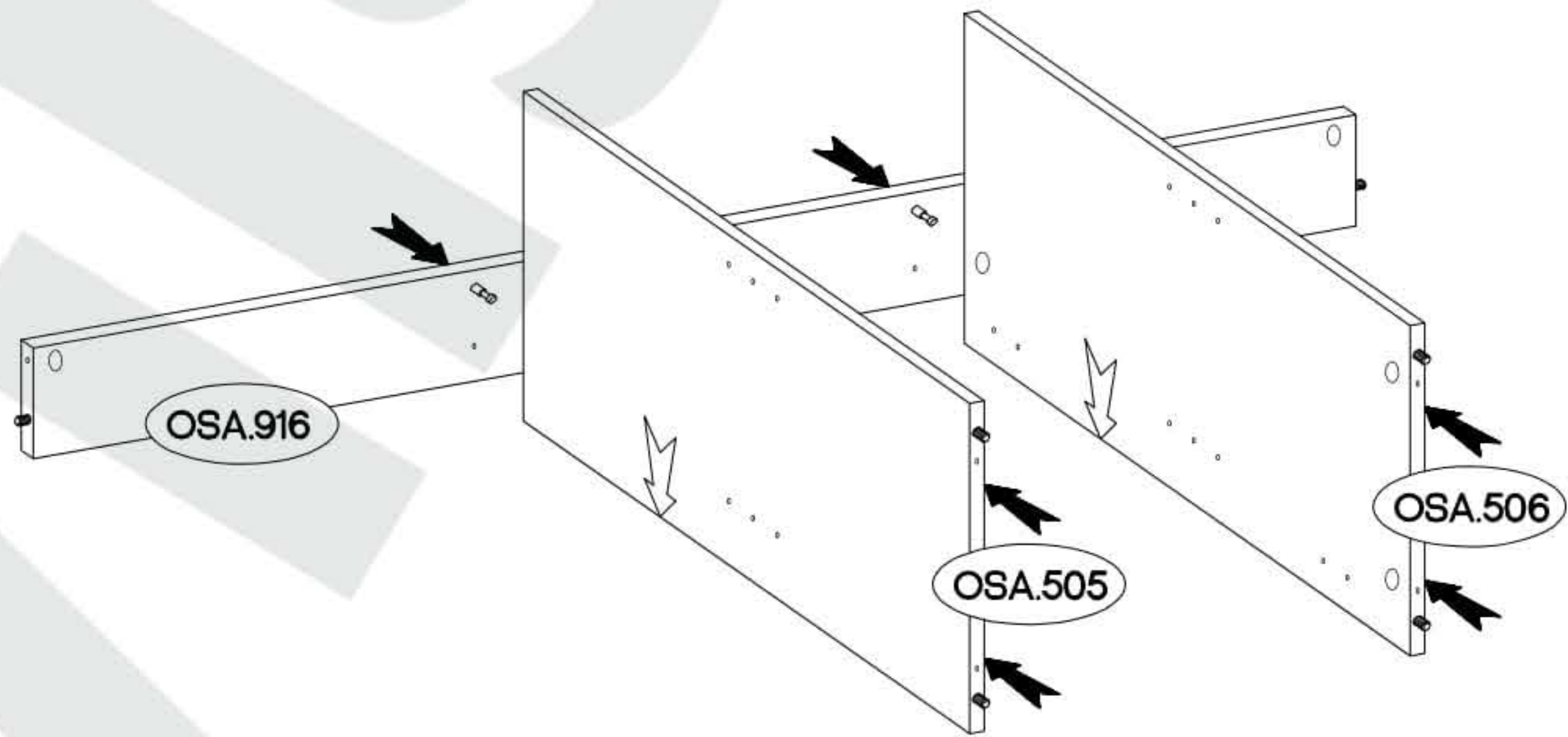


8

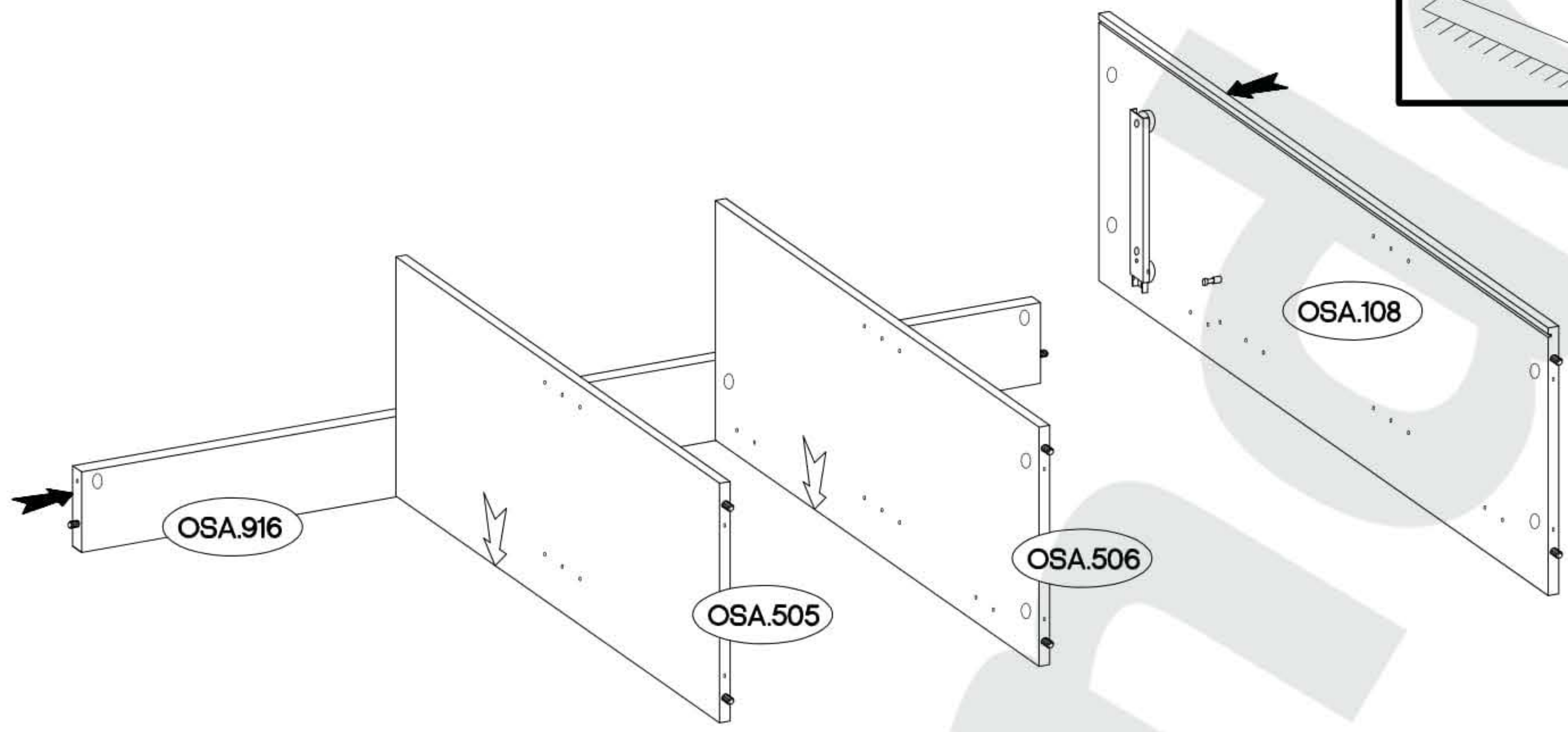
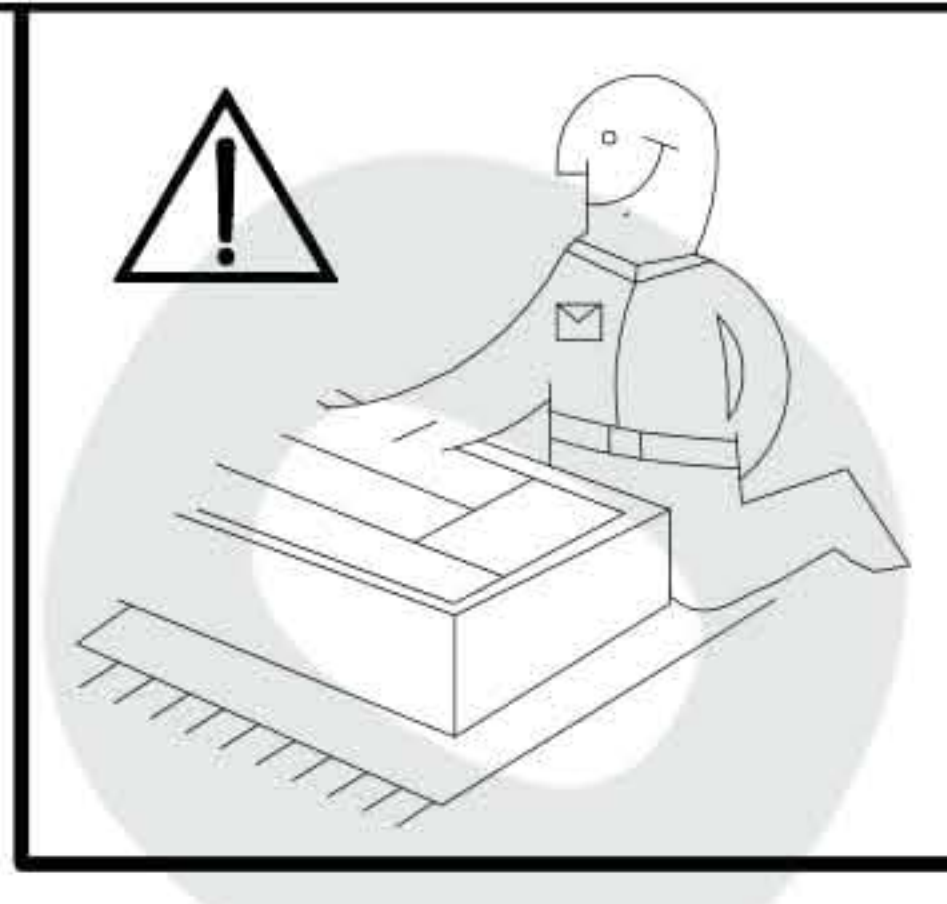
L=150mm F34 5	+4.0x16mm R11 15	L=20mm D2 8
---------------------	------------------------	-------------------



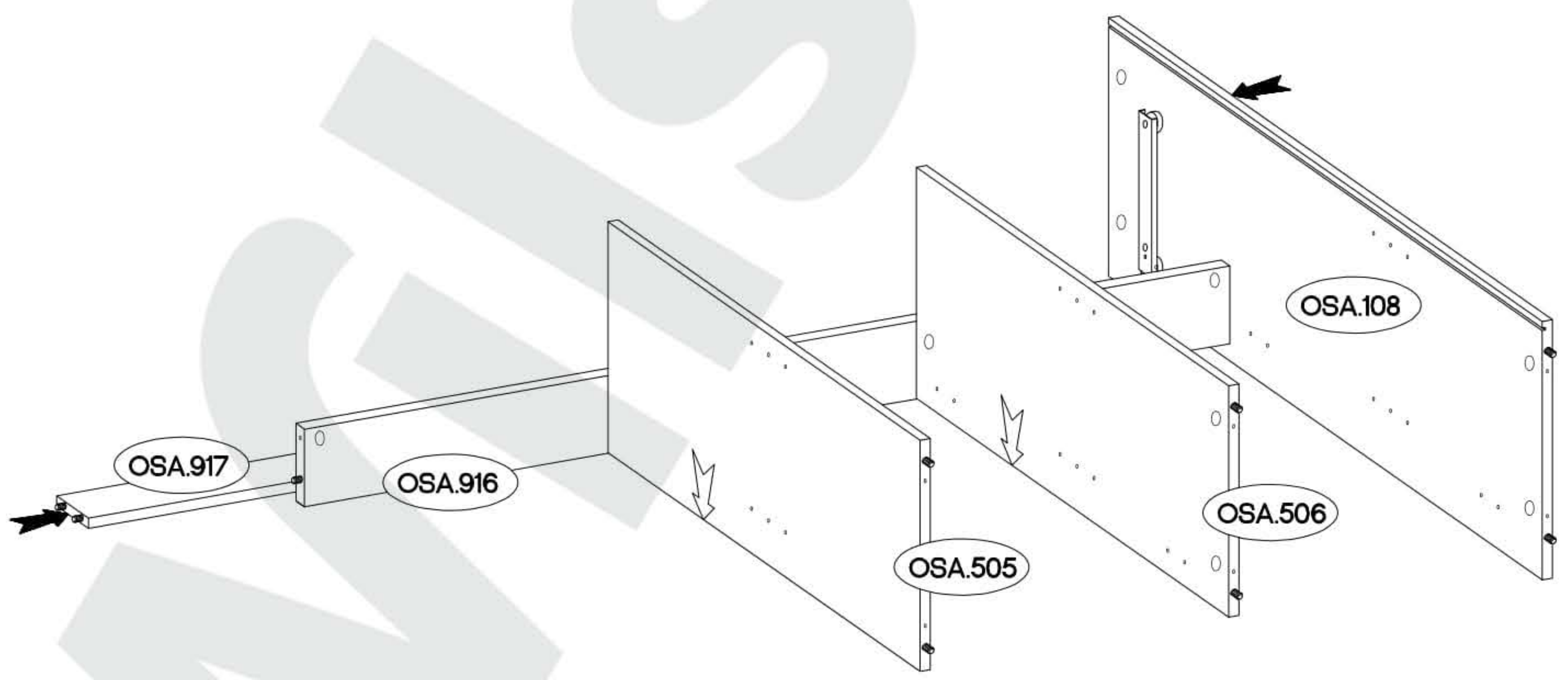
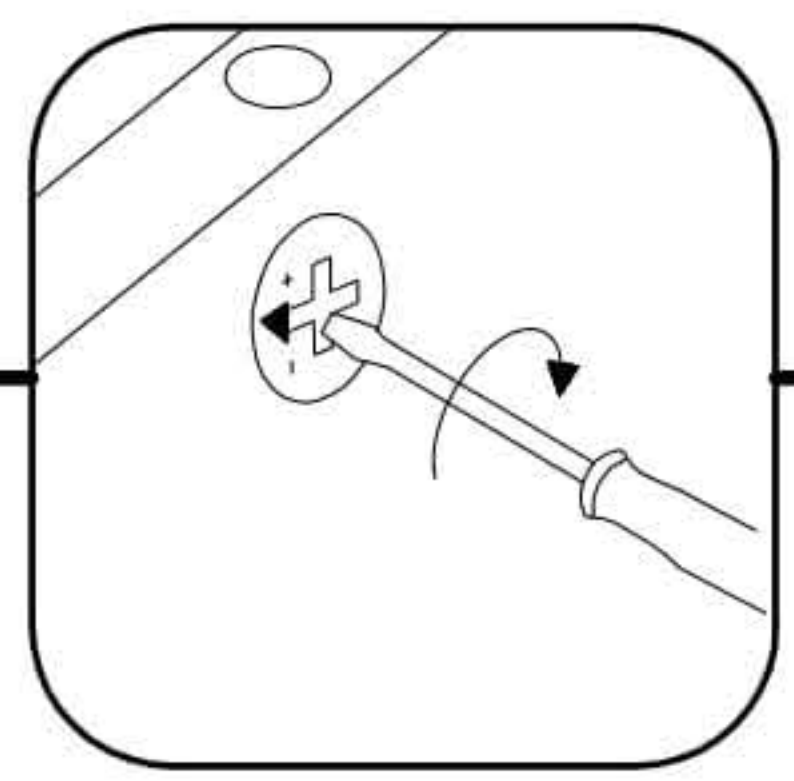
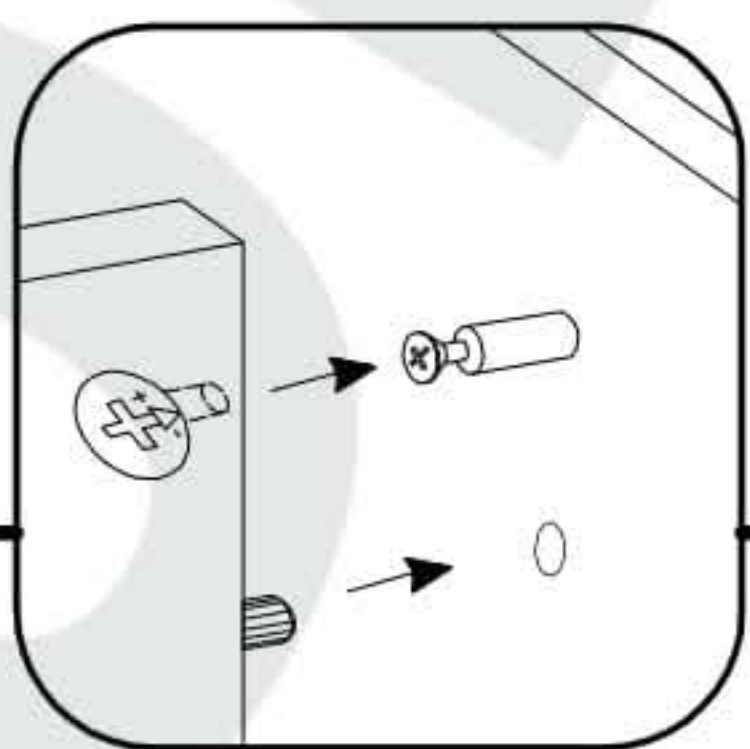
9



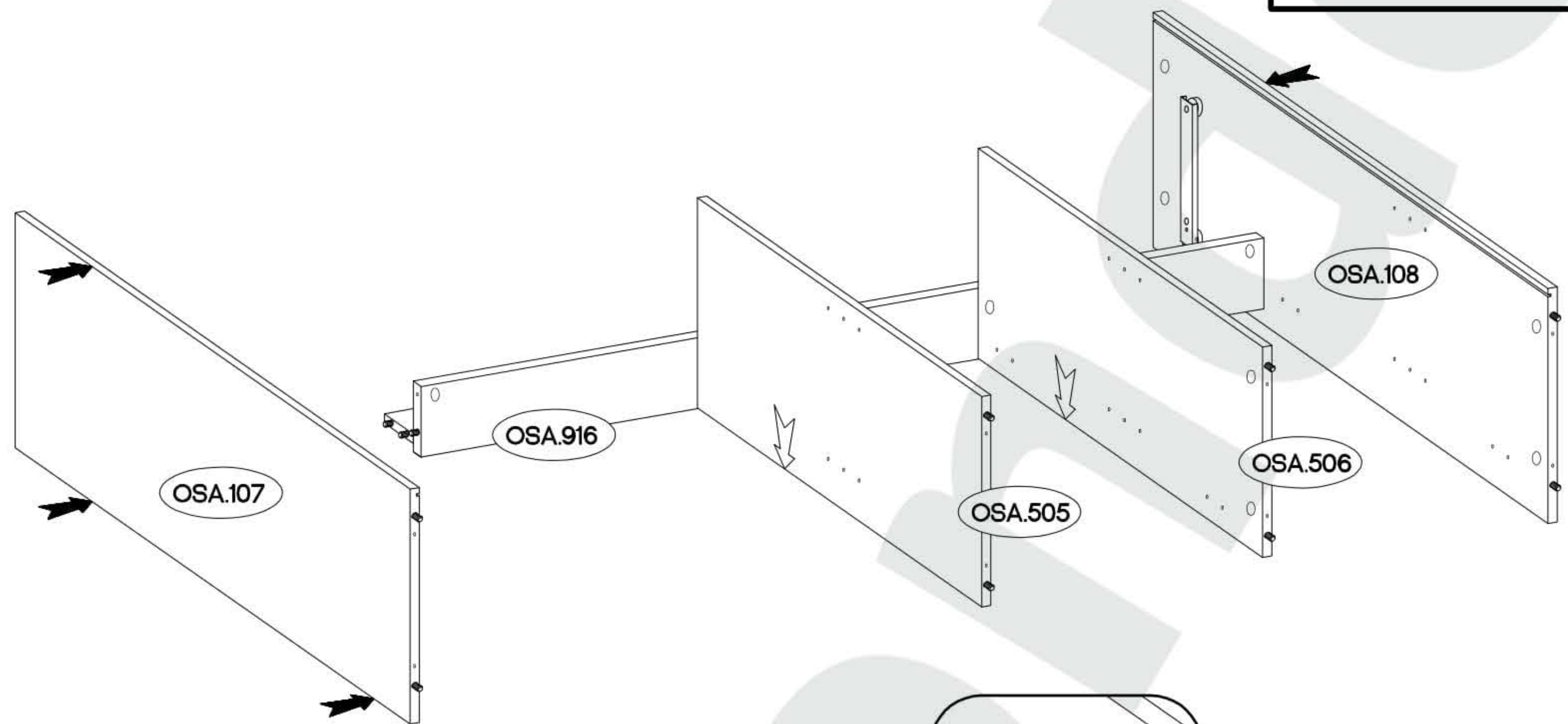
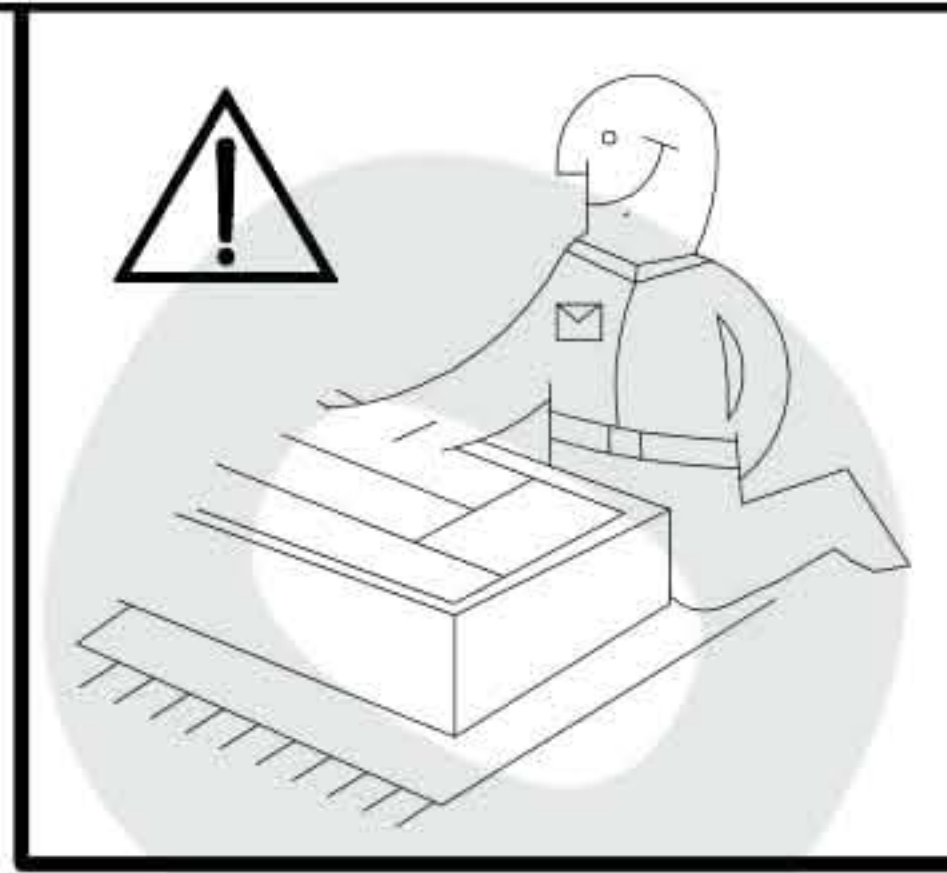
10



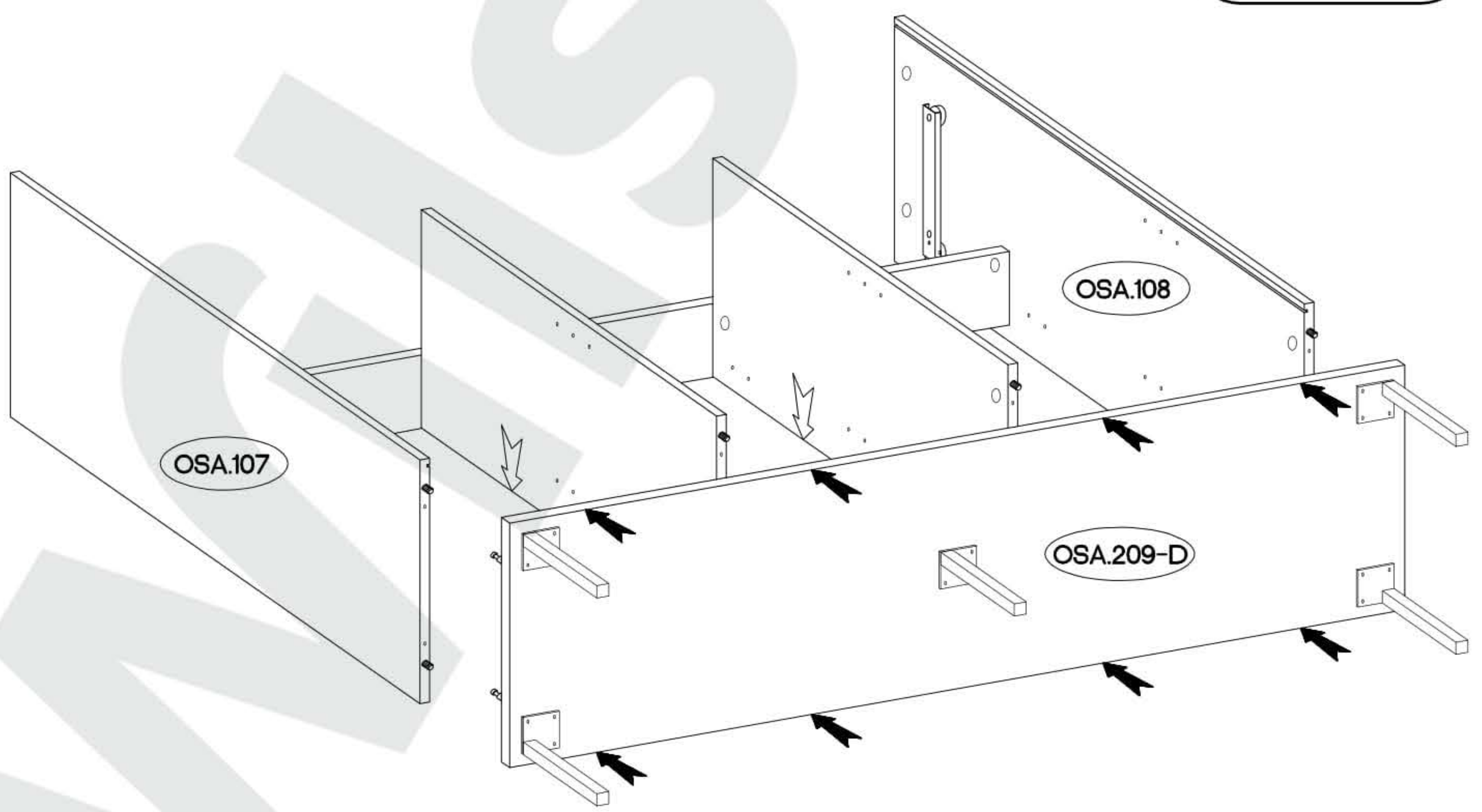
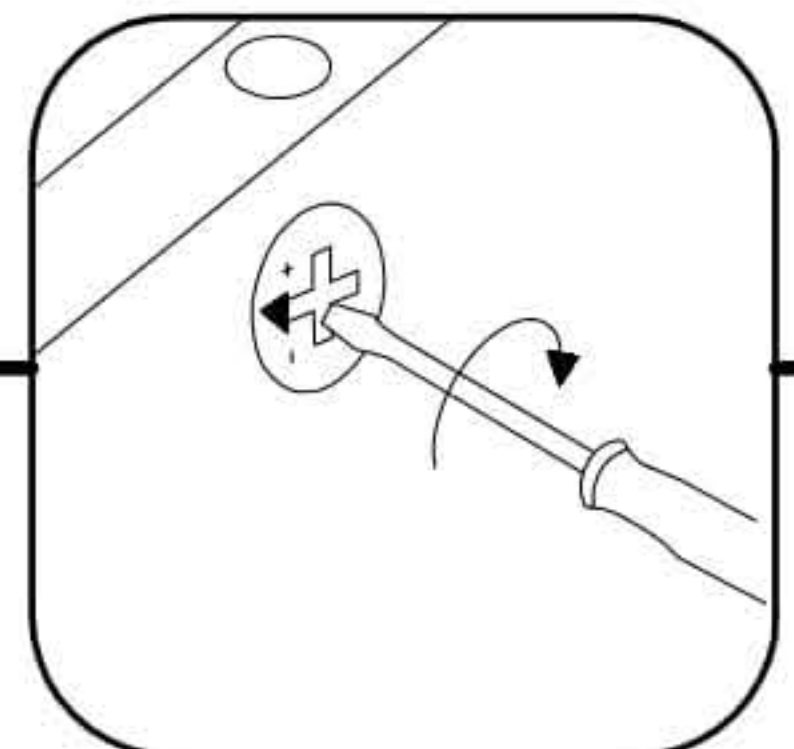
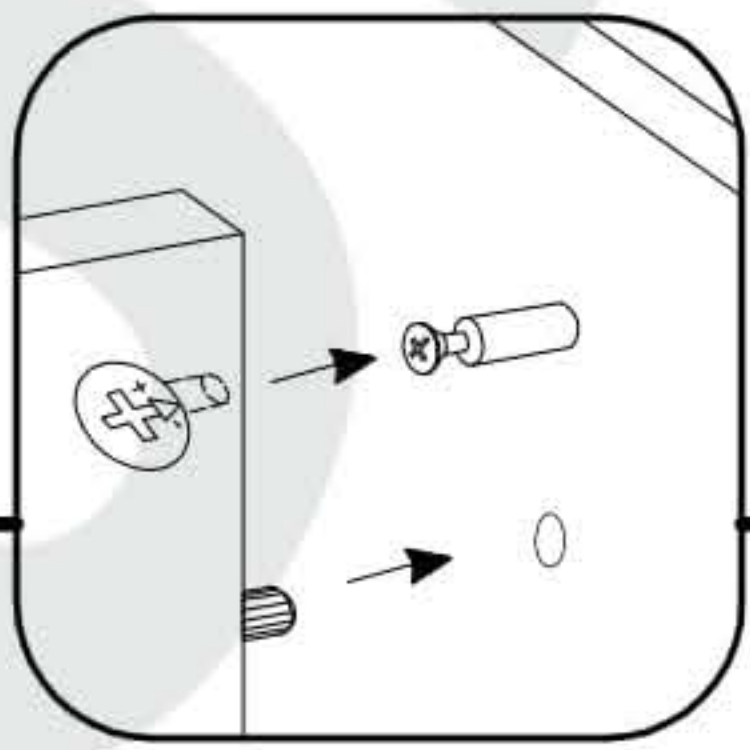
11



12

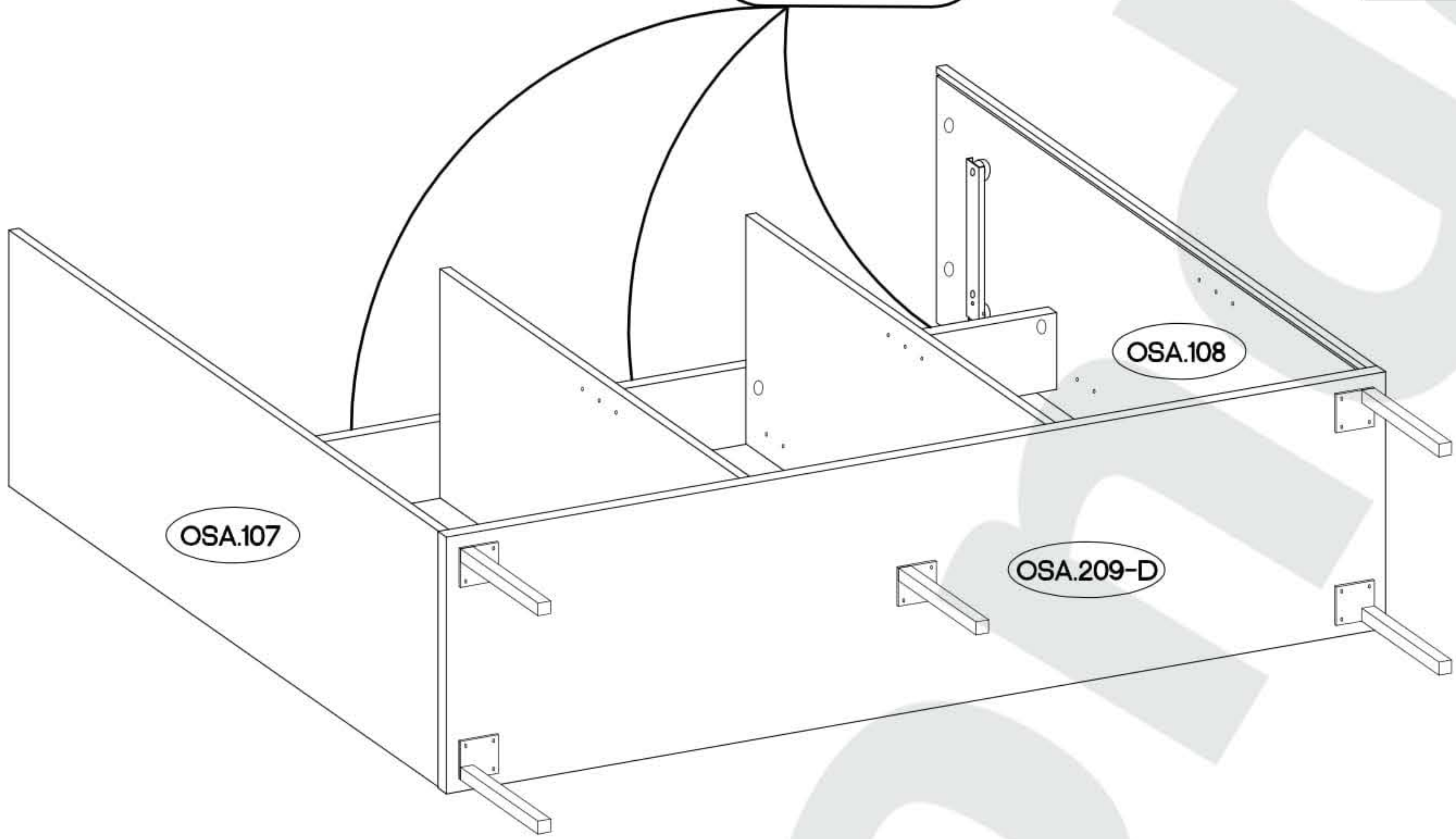
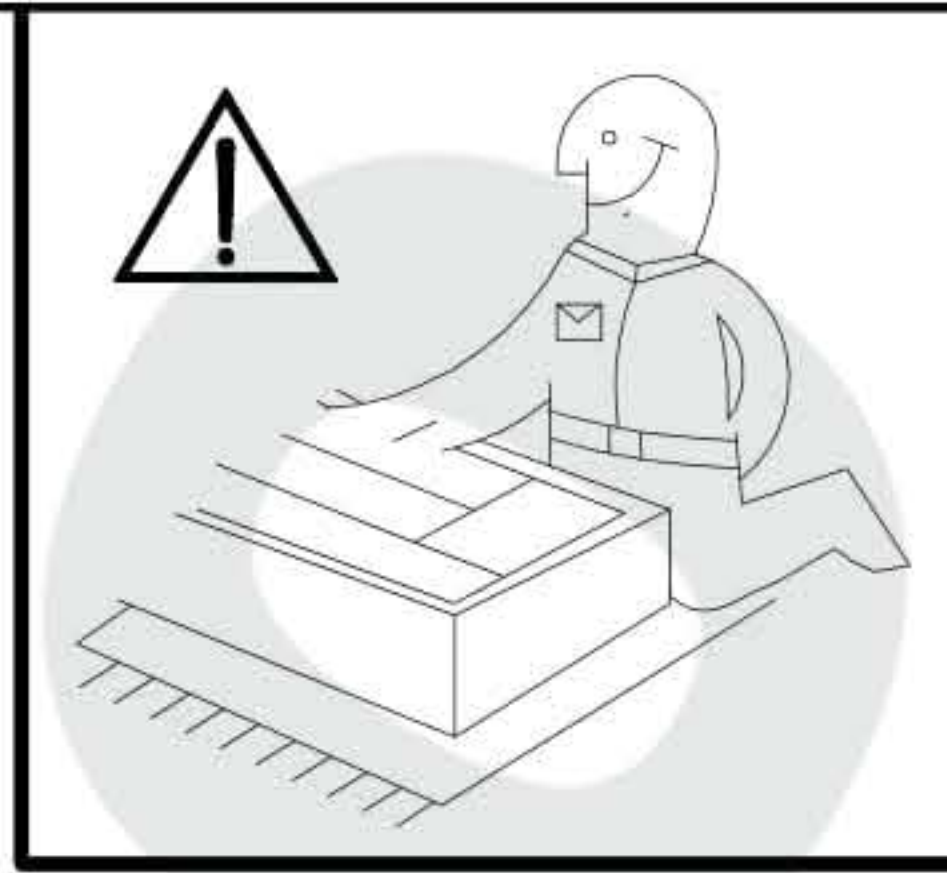
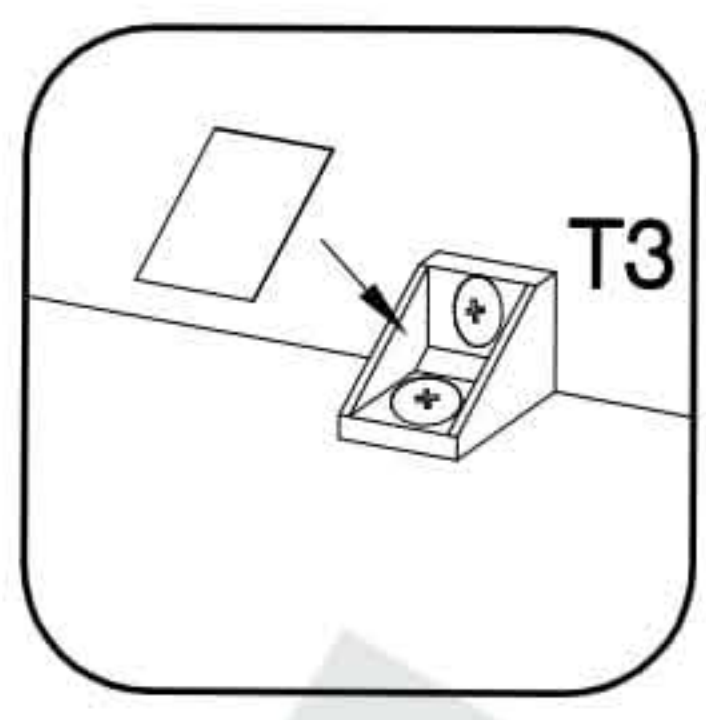
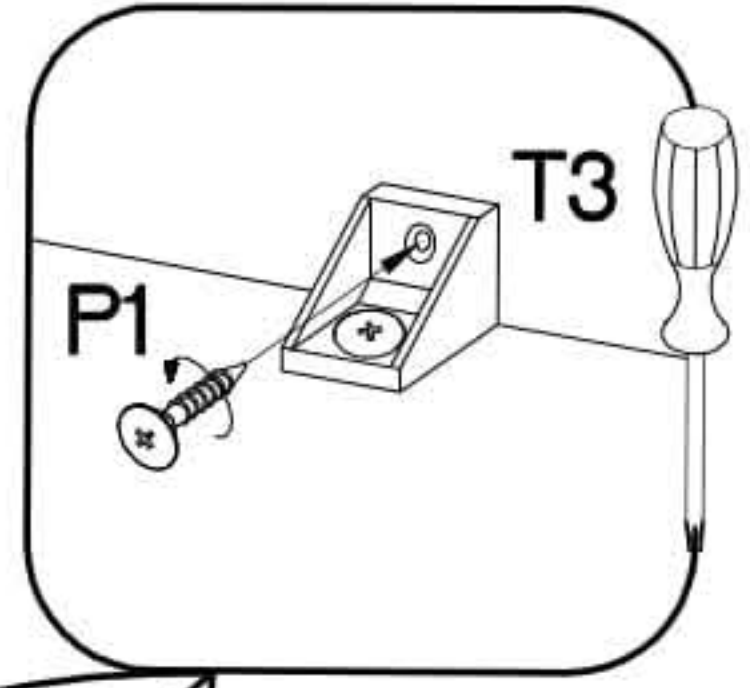


13

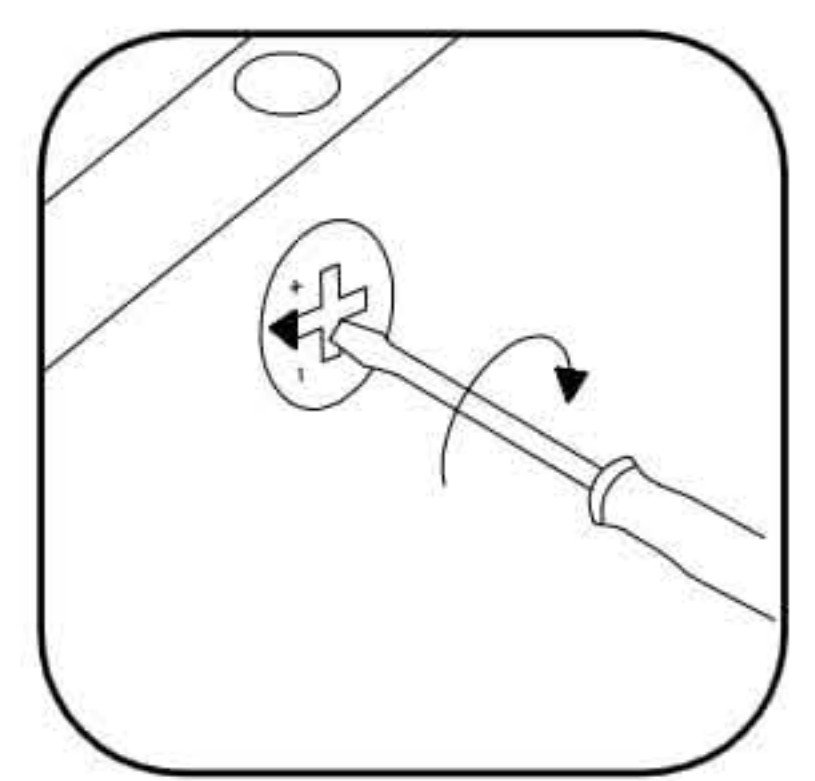
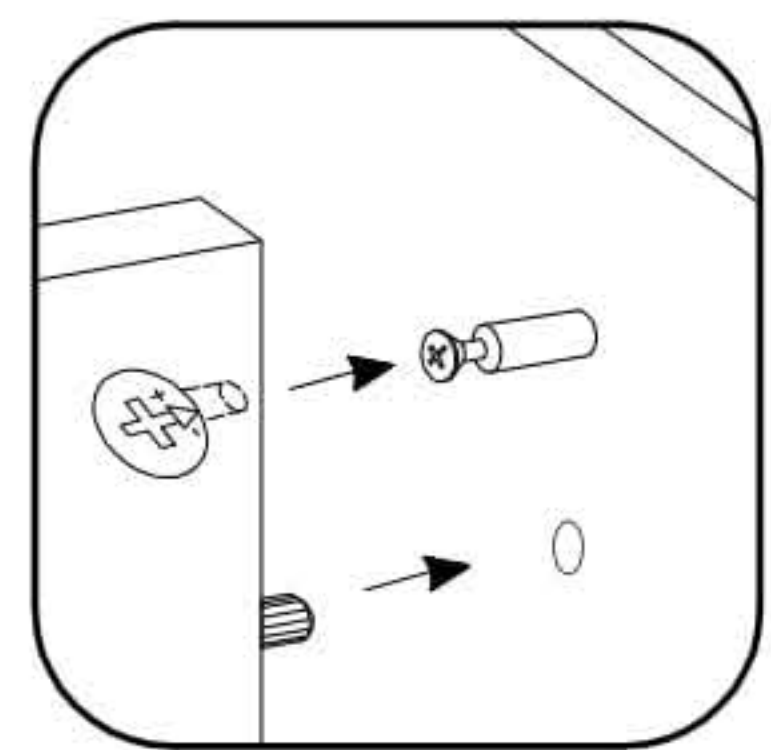
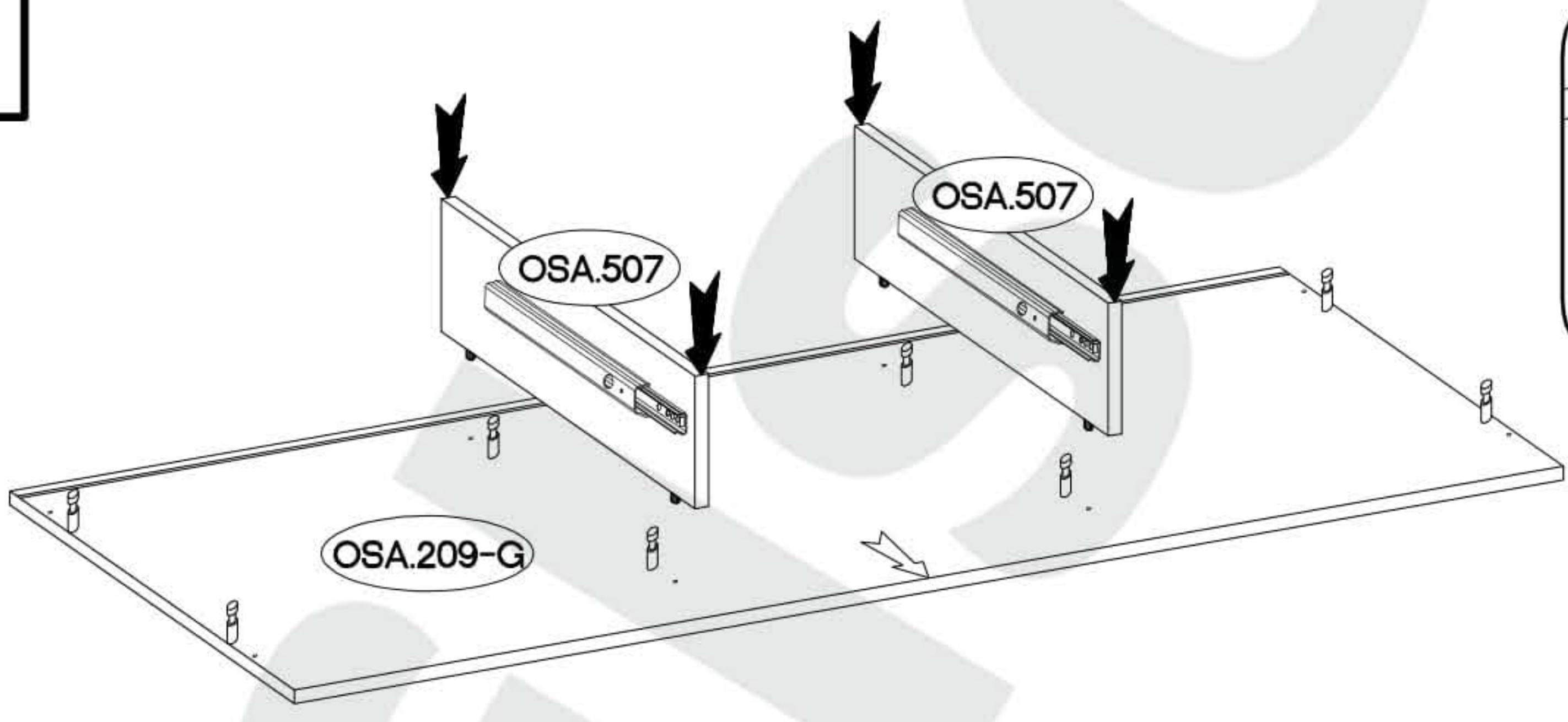


14

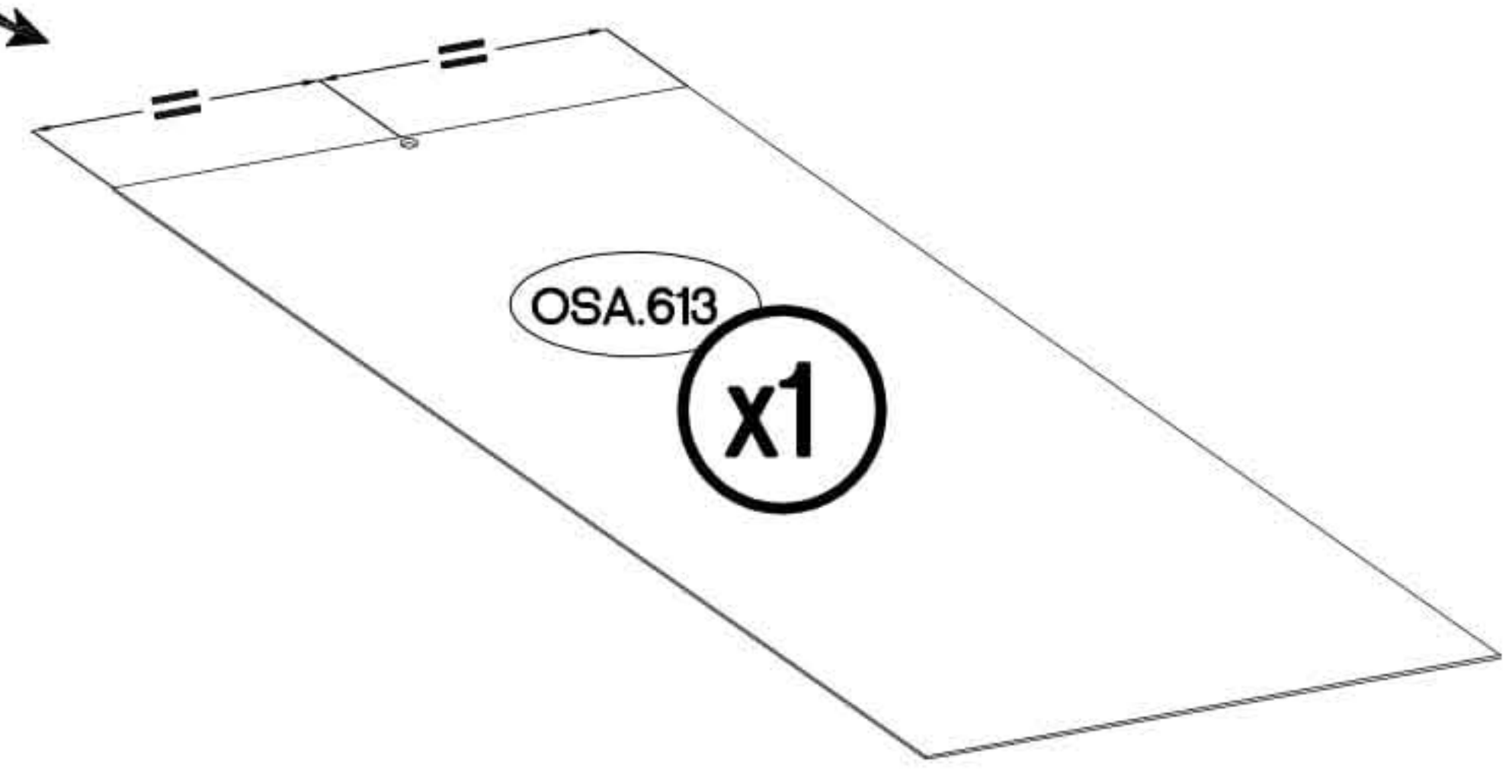
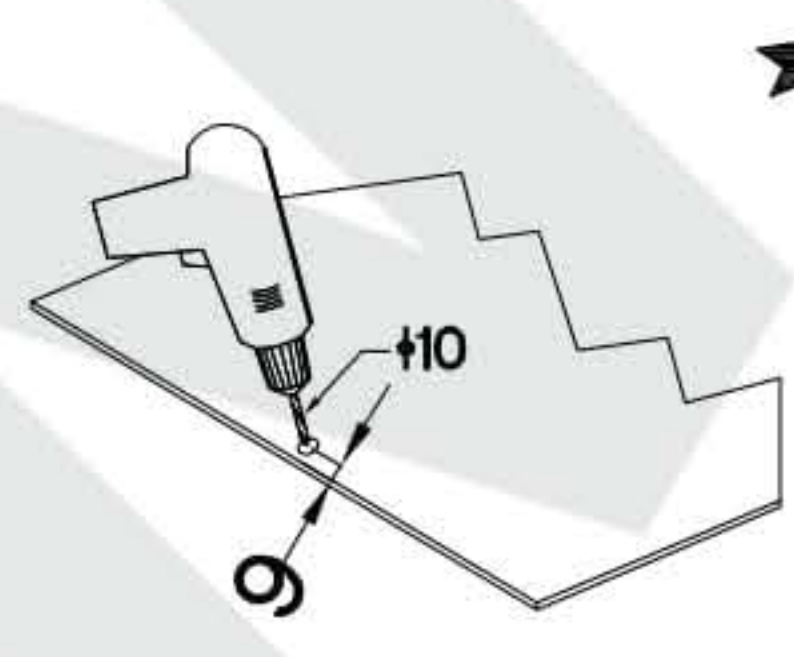
4.0x16mm
P1
3



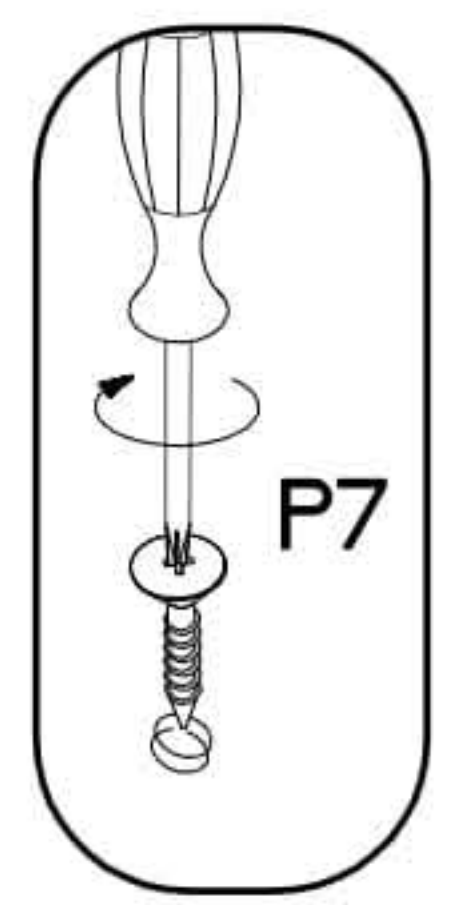
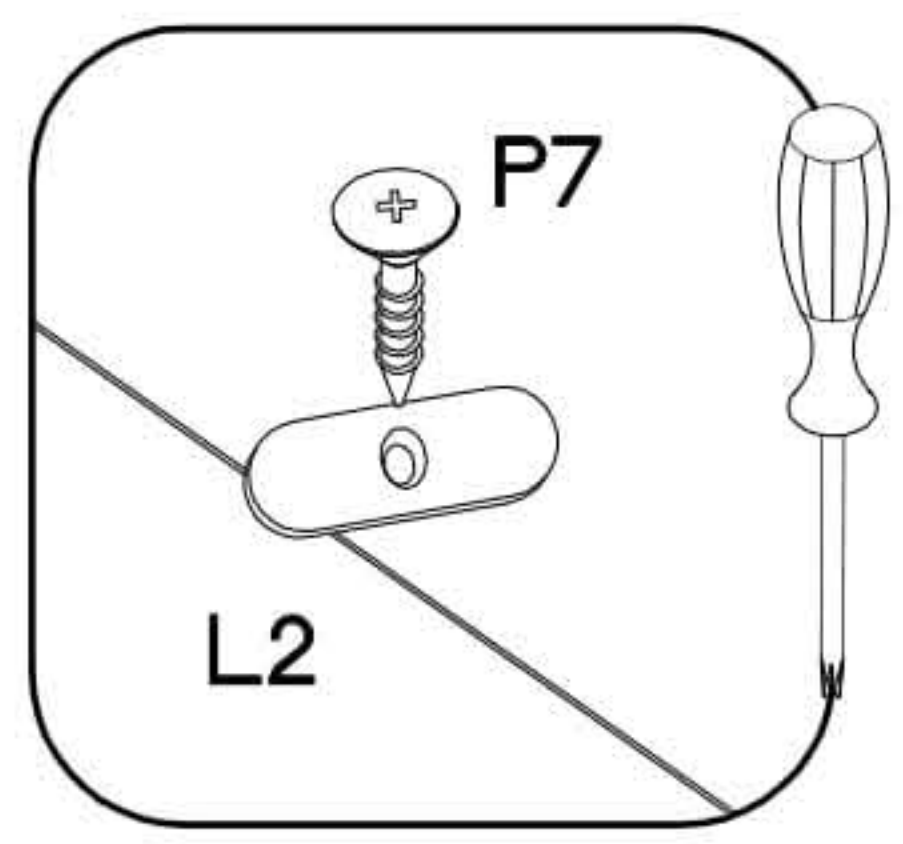
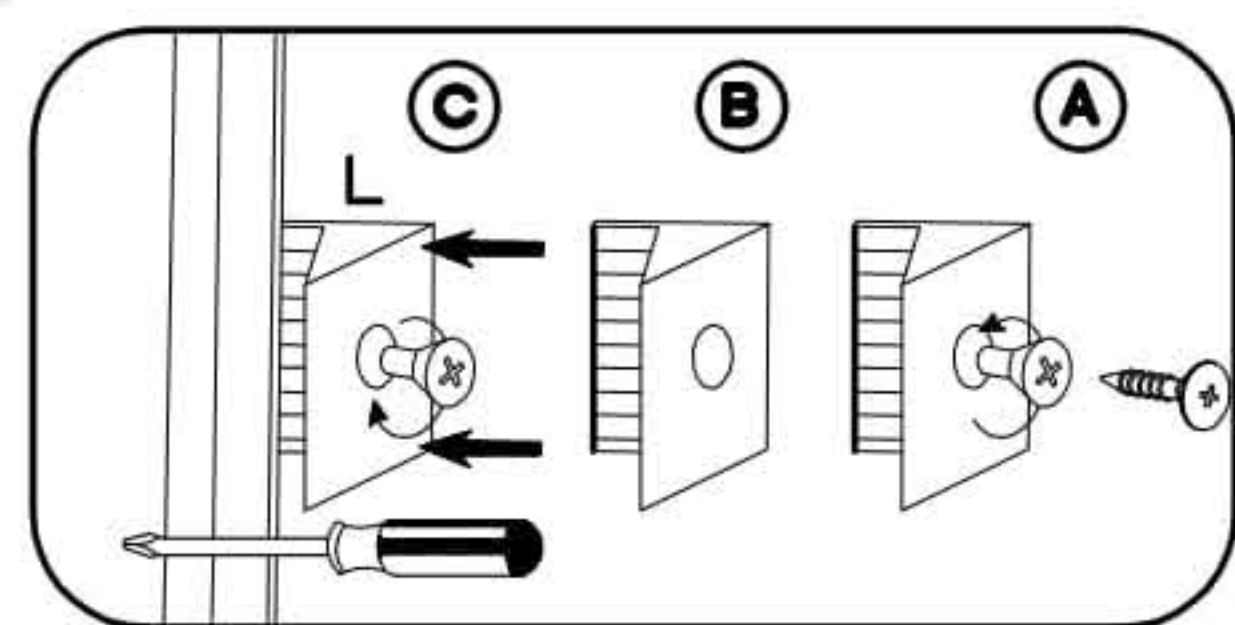
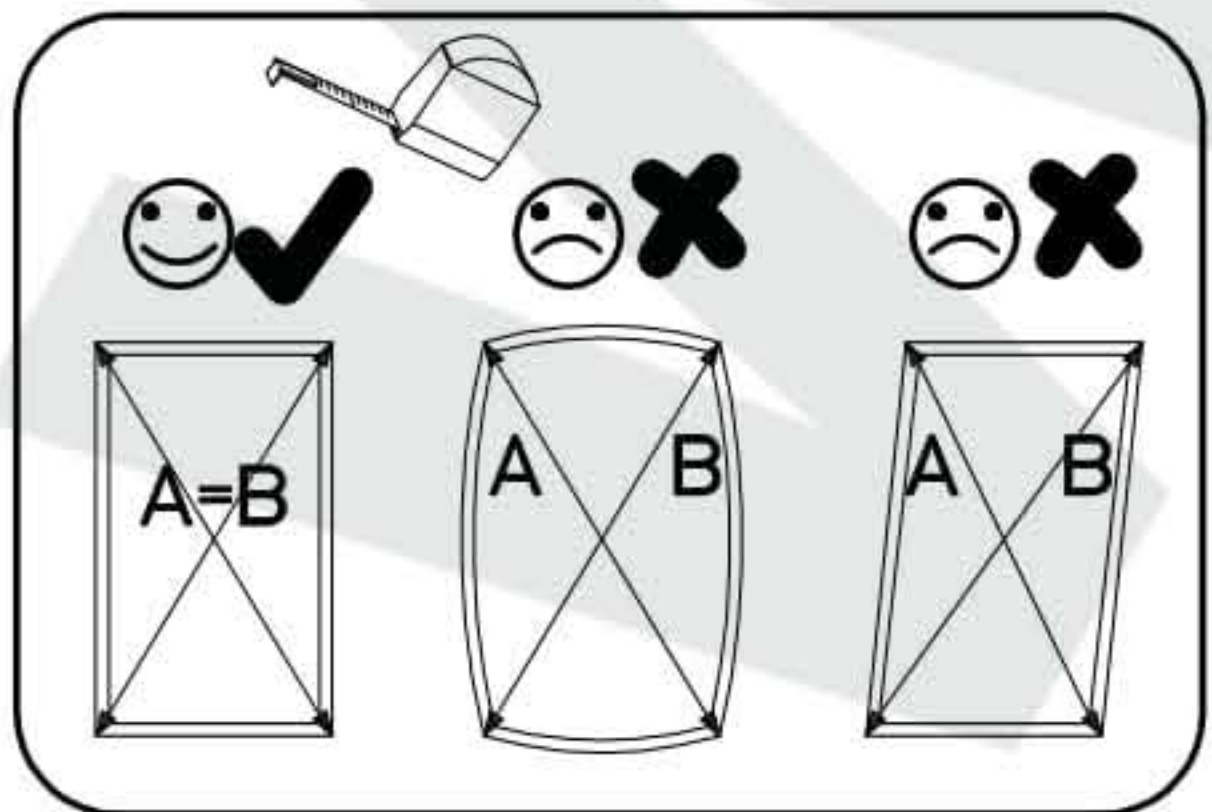
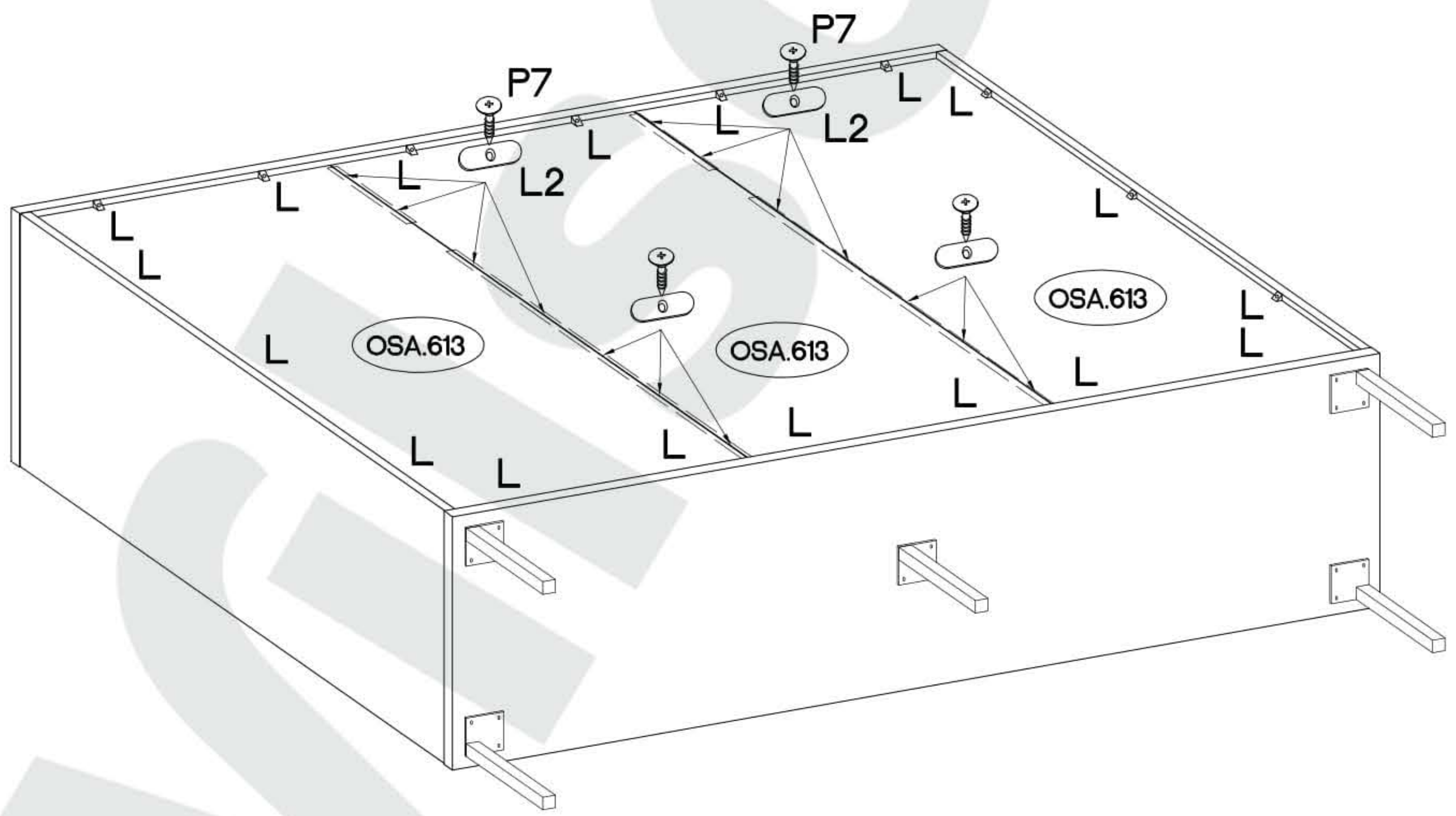
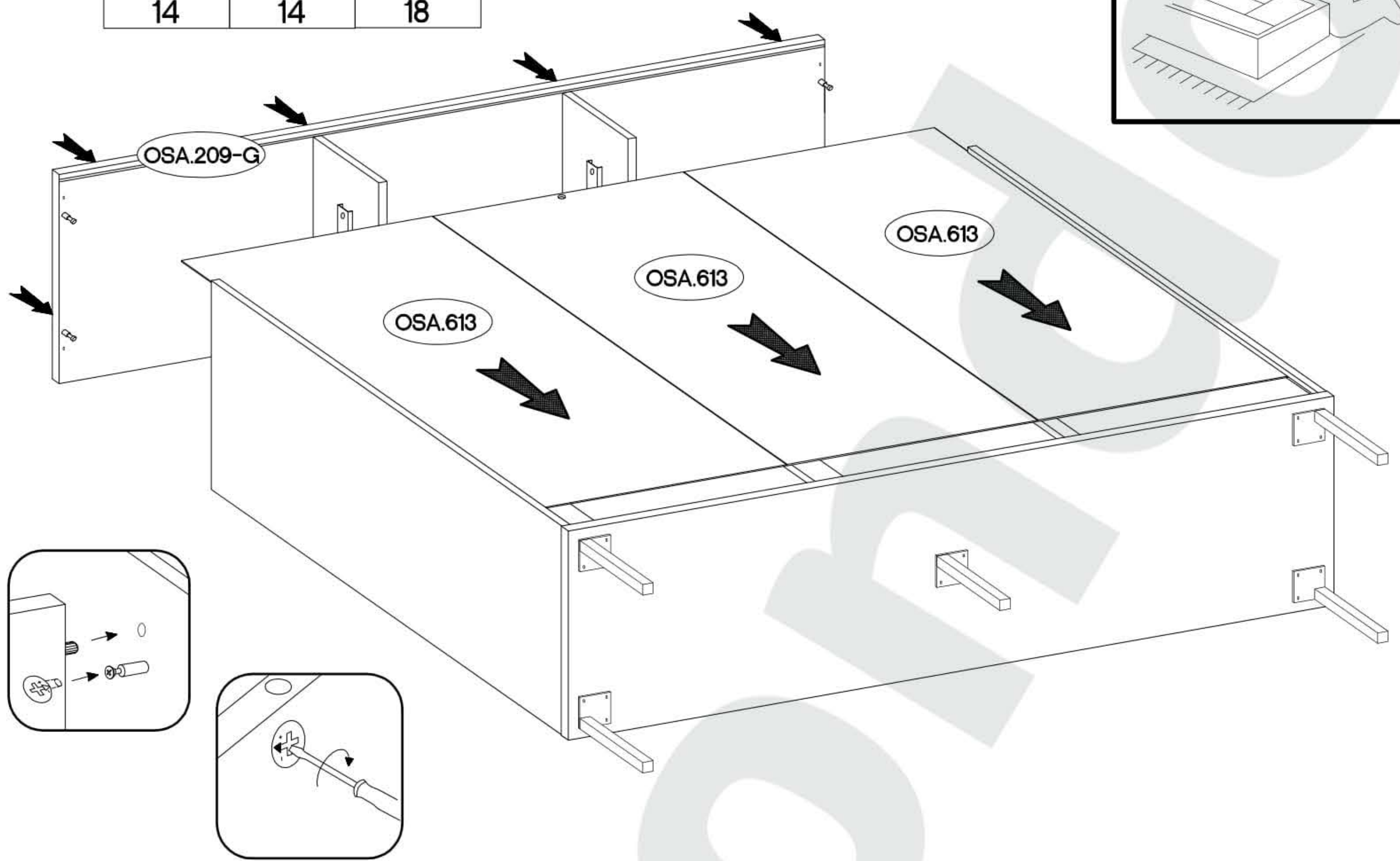
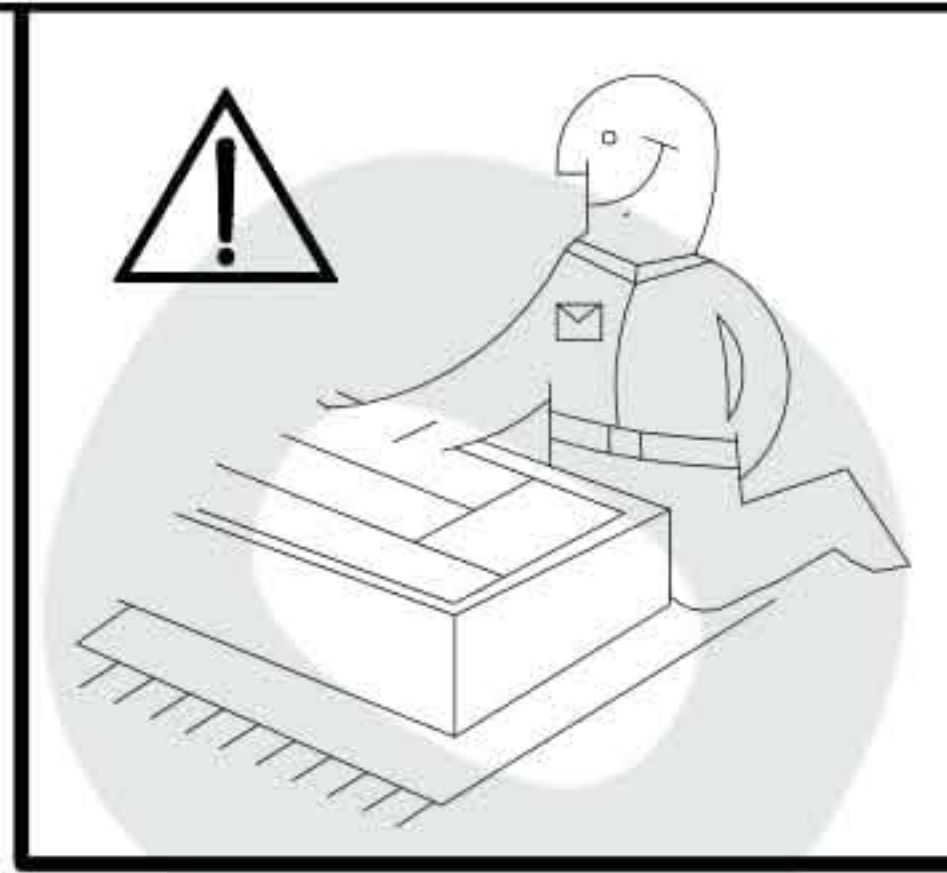
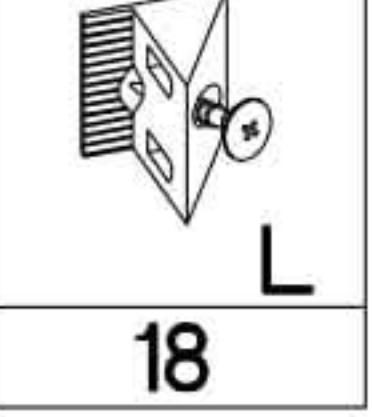
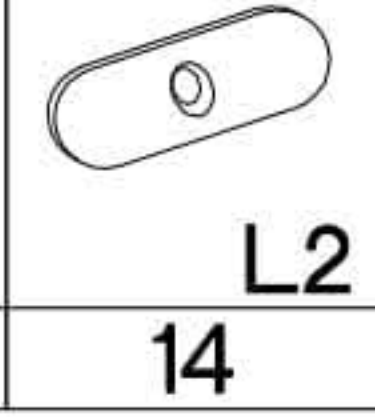
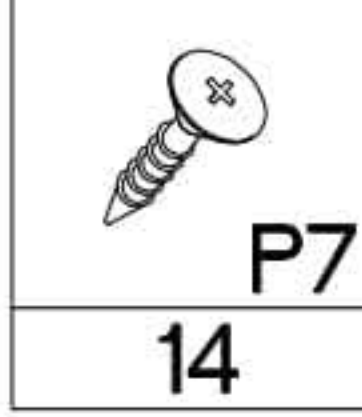
15

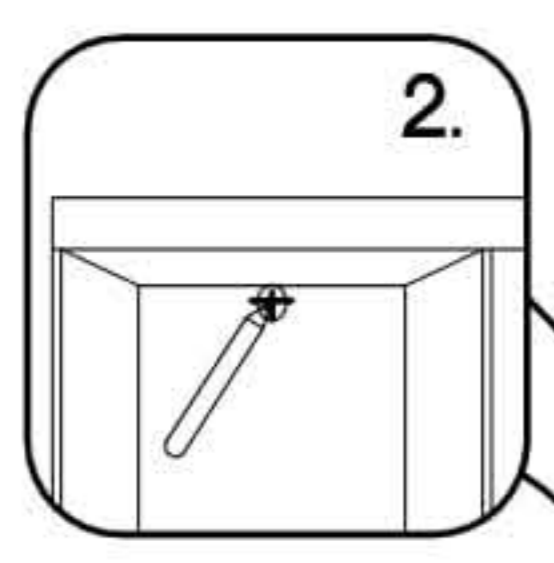


16

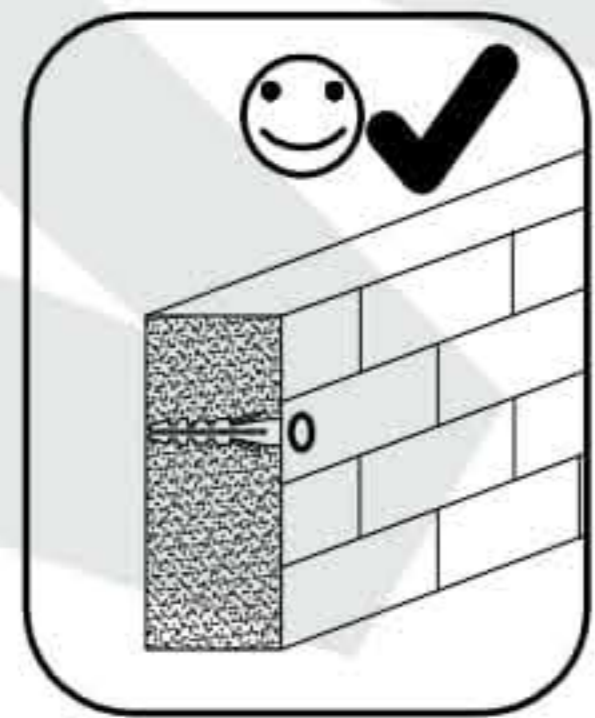
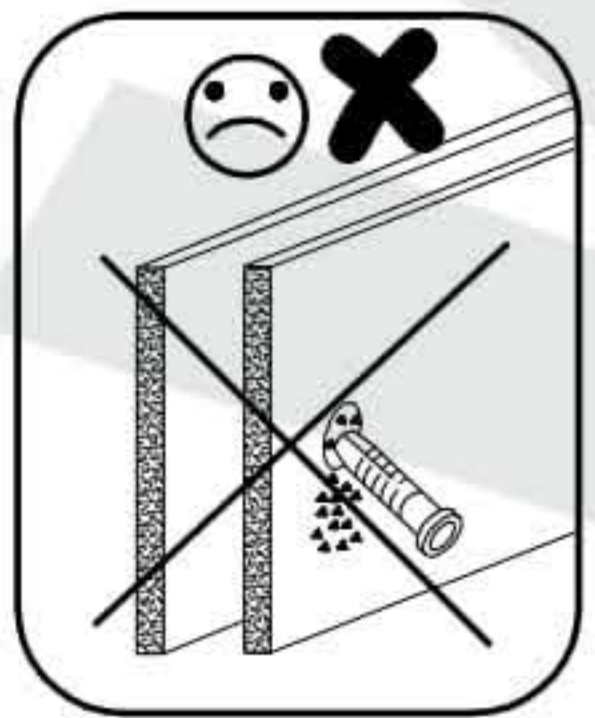
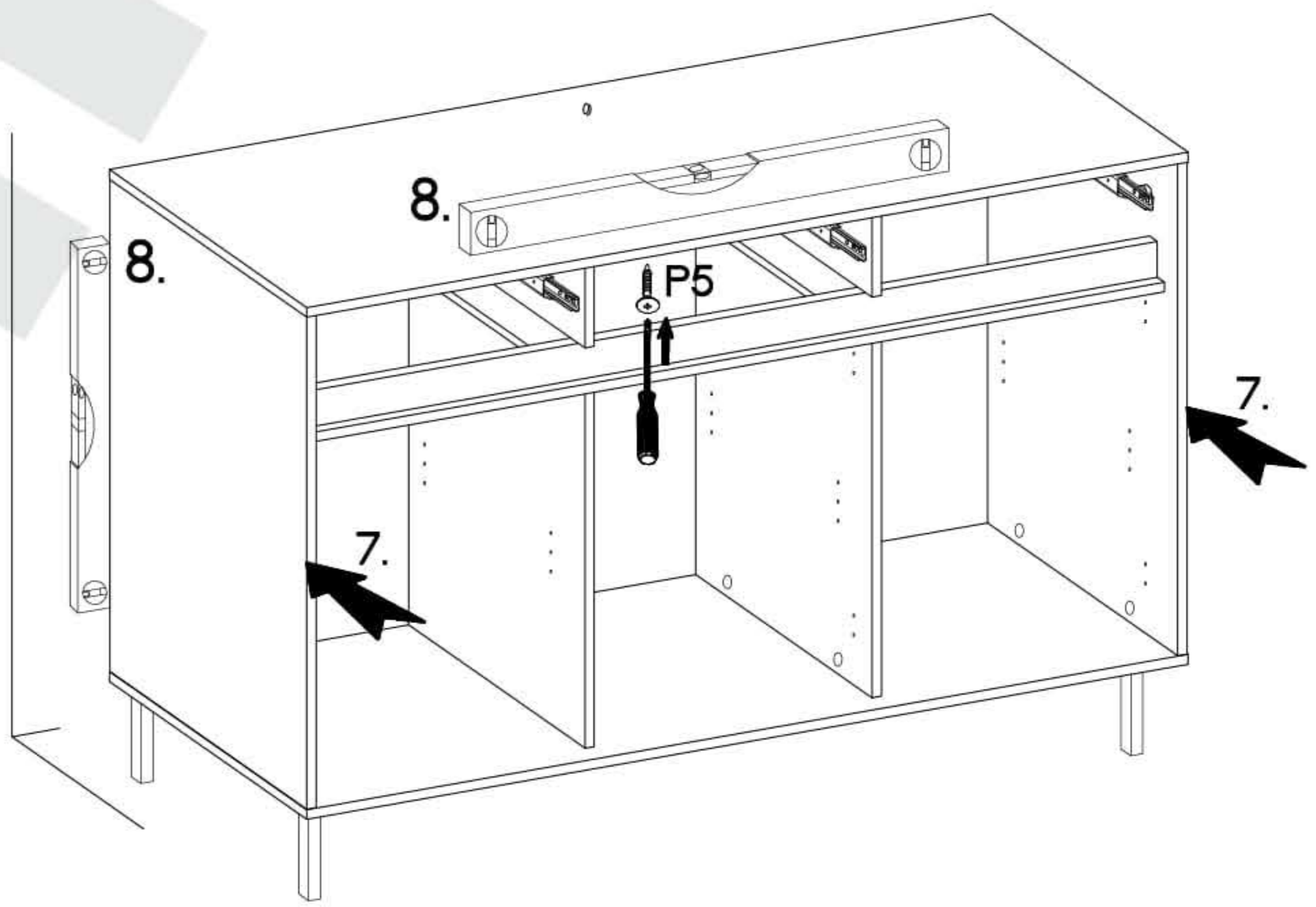
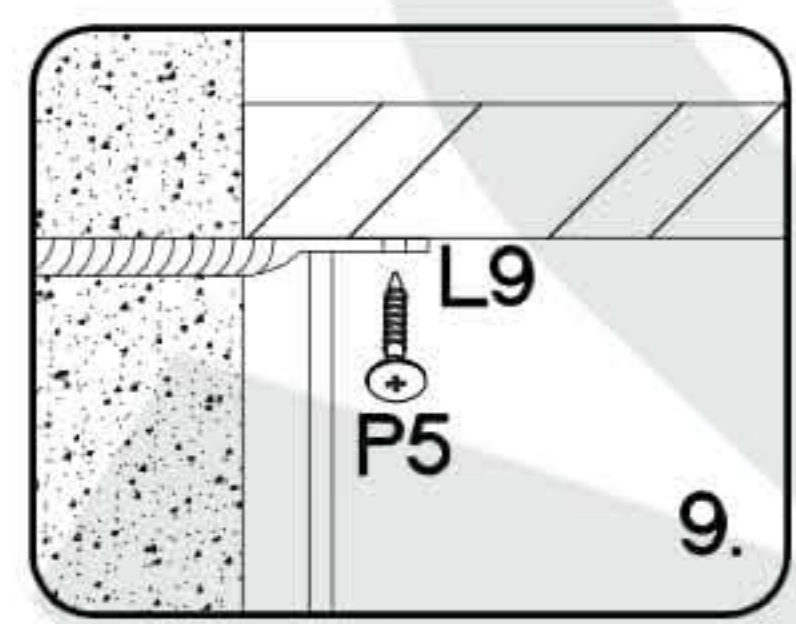
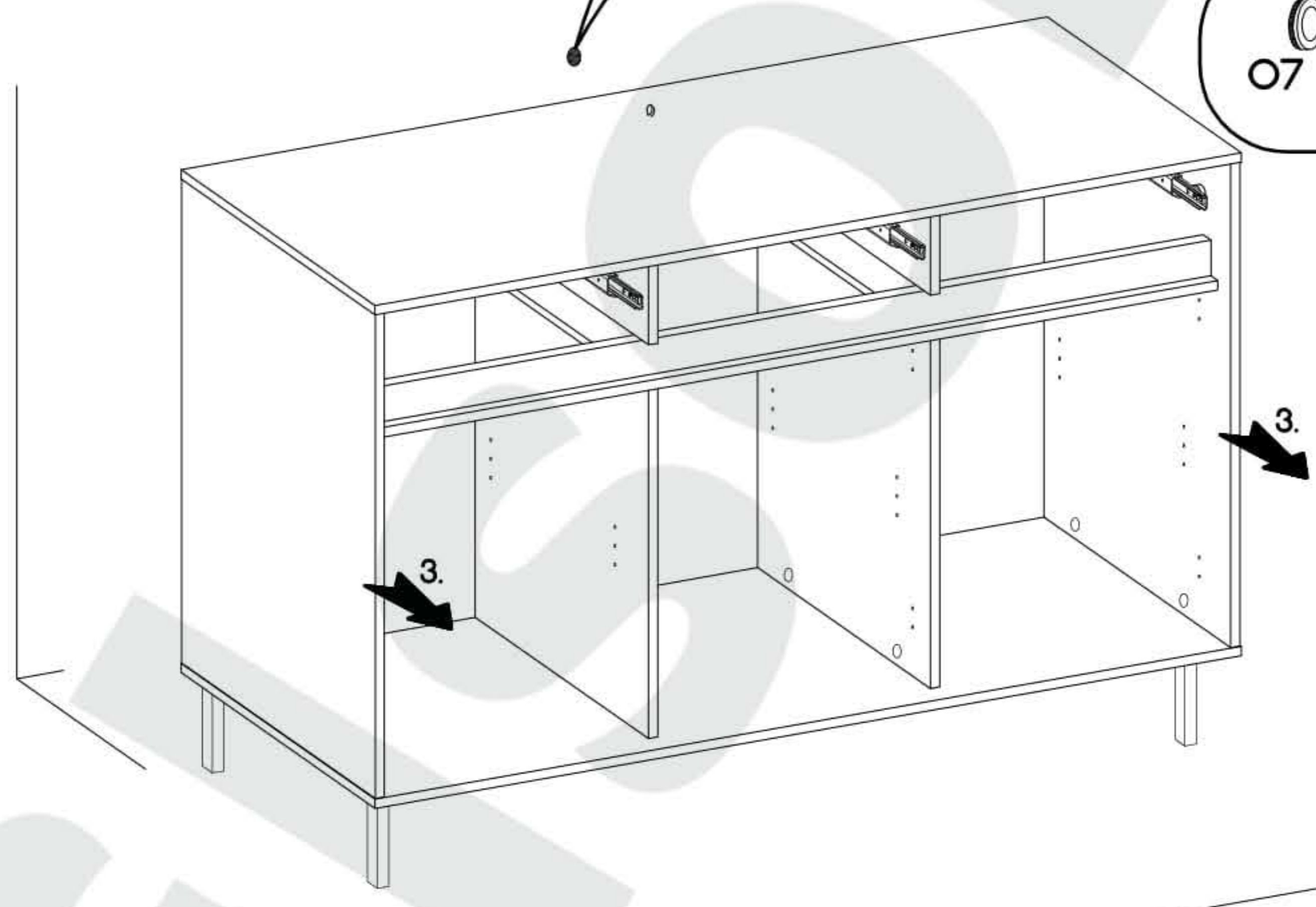
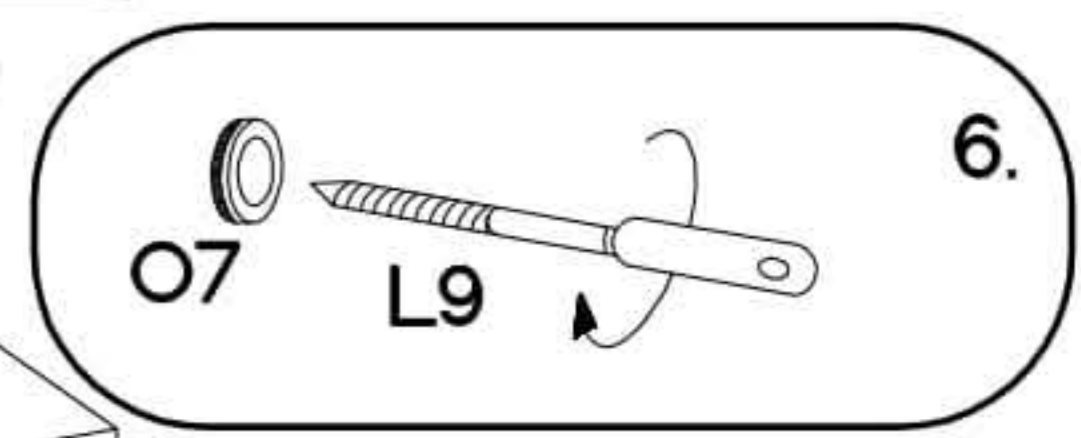
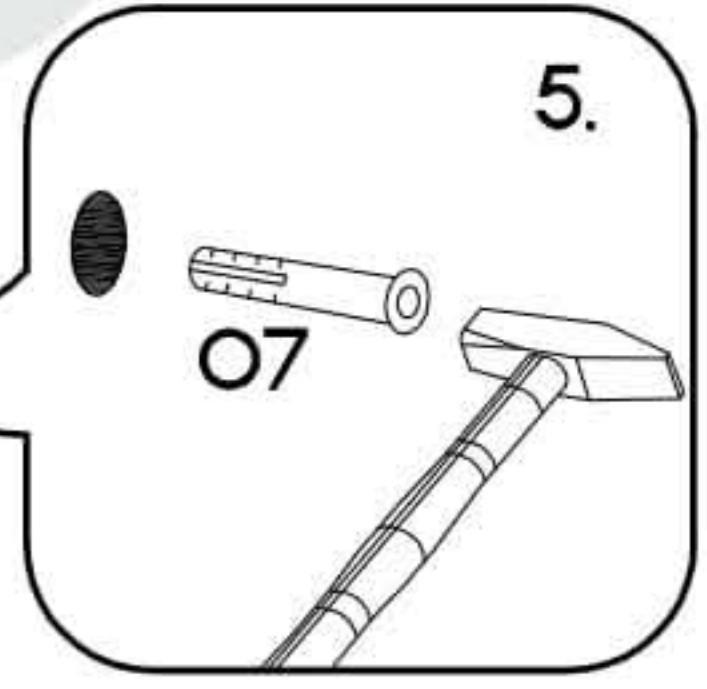
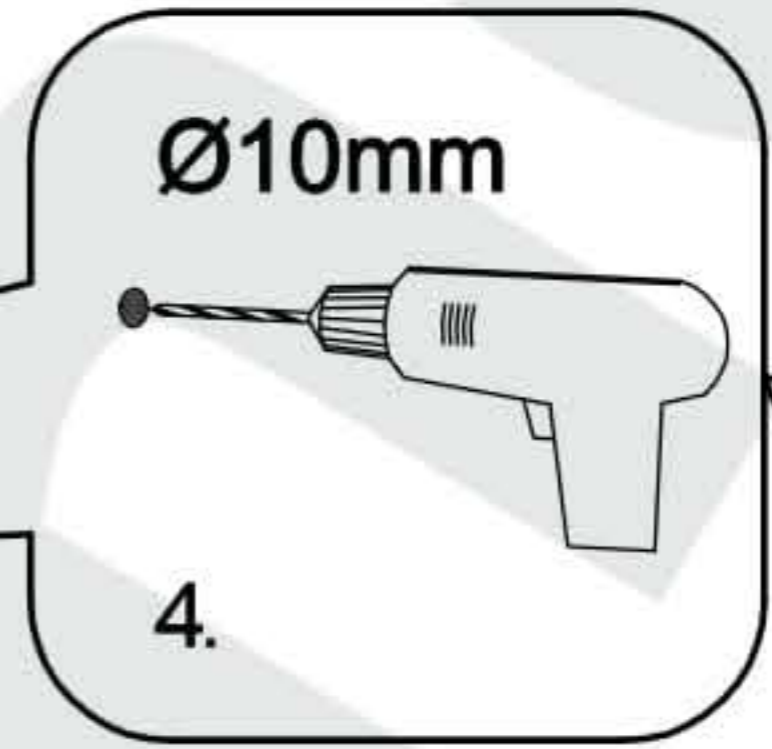
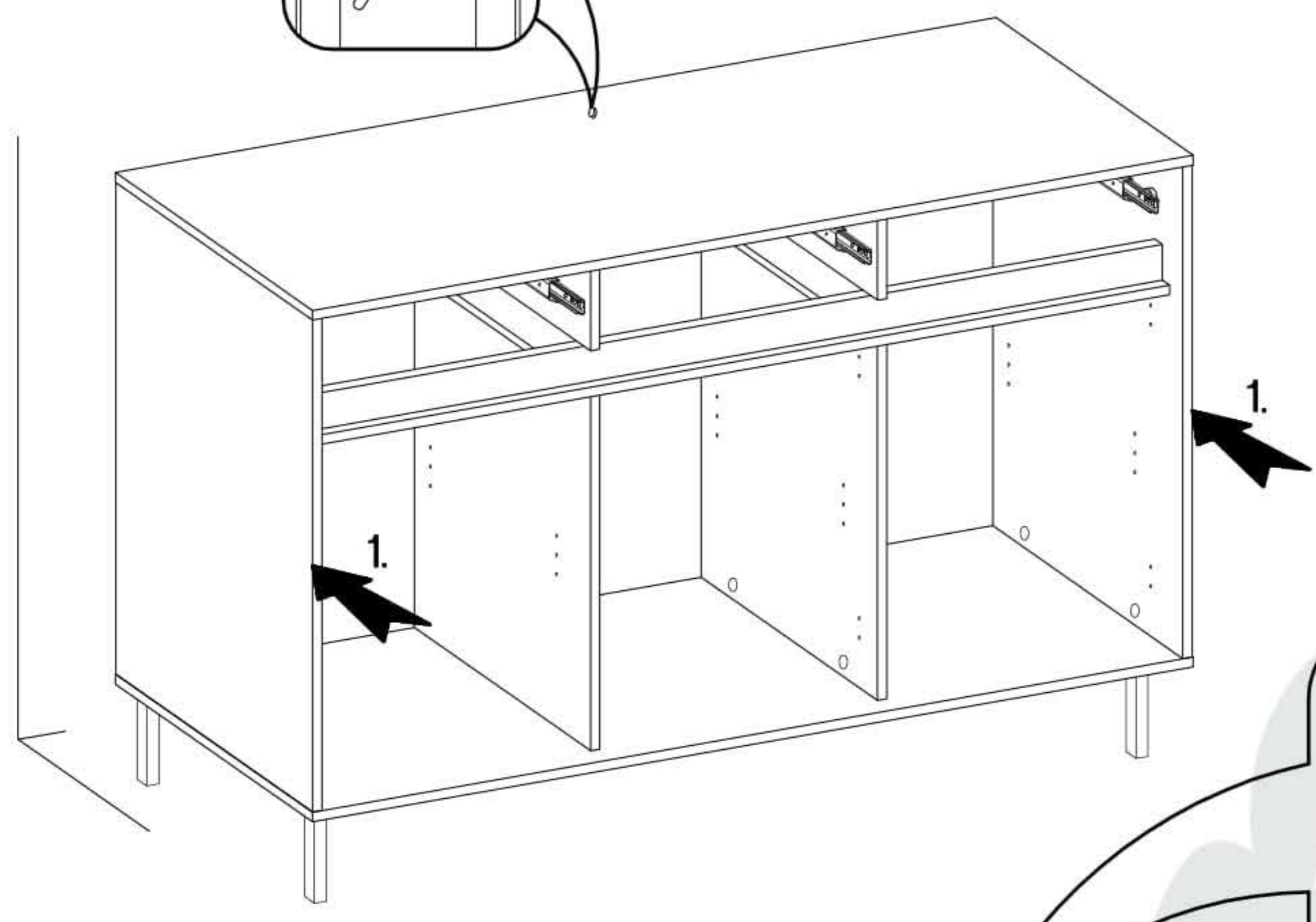


3.0x20mm




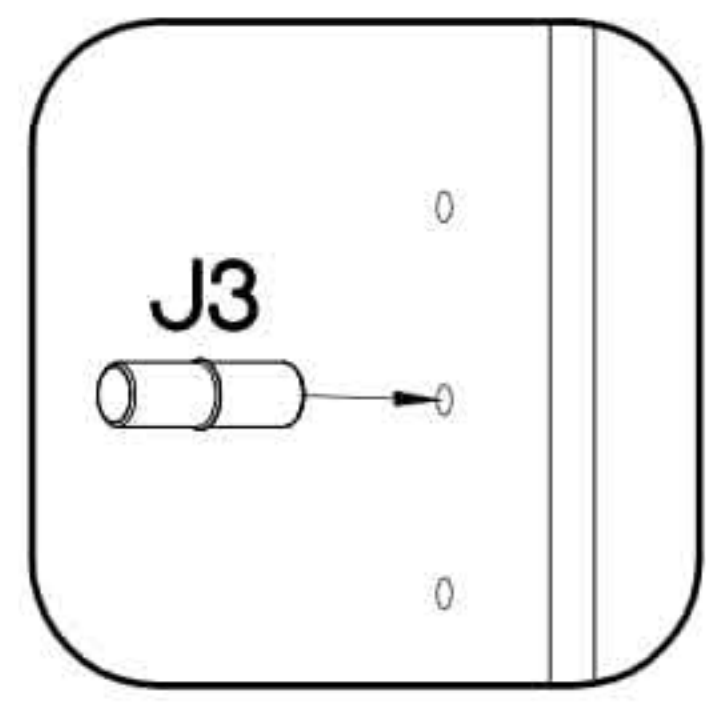
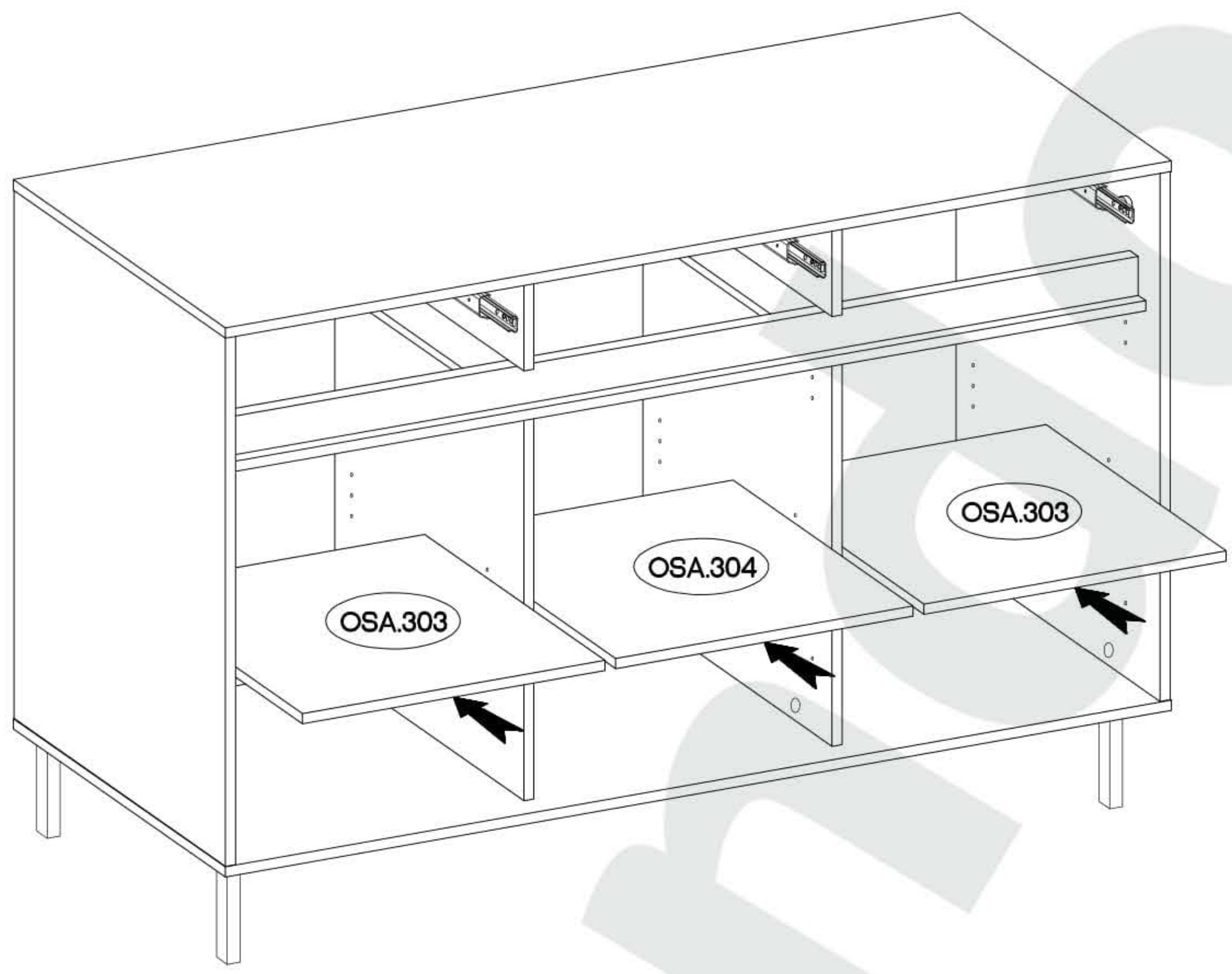


$\varnothing 10 \times 50 \text{mm}$ O7 1	$\varnothing 3.5 \times 13 \text{mm}$ L9 1	$\varnothing 3.5 \times 13 \text{mm}$ P5 1
--	---	---




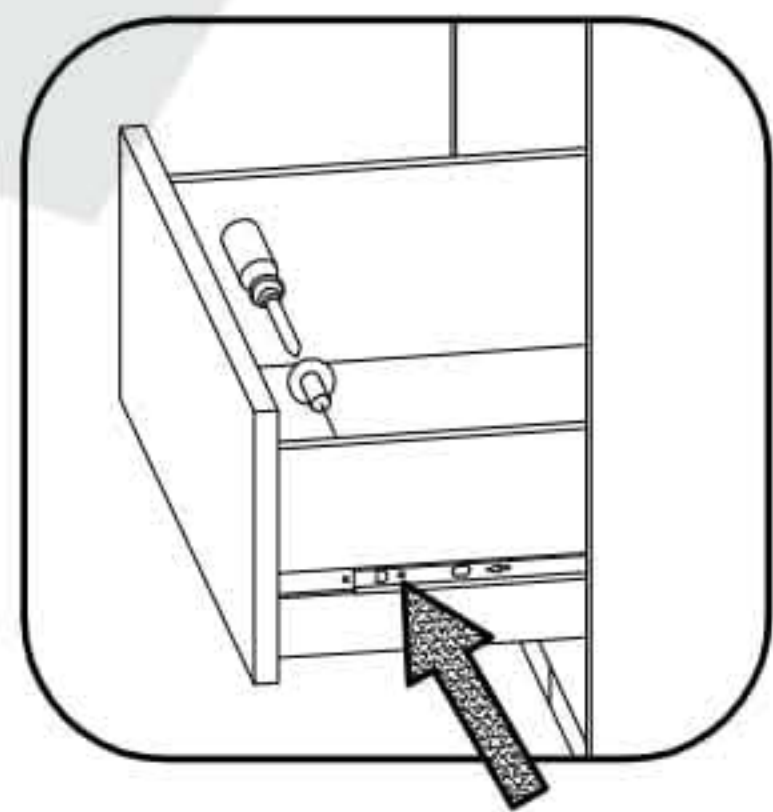
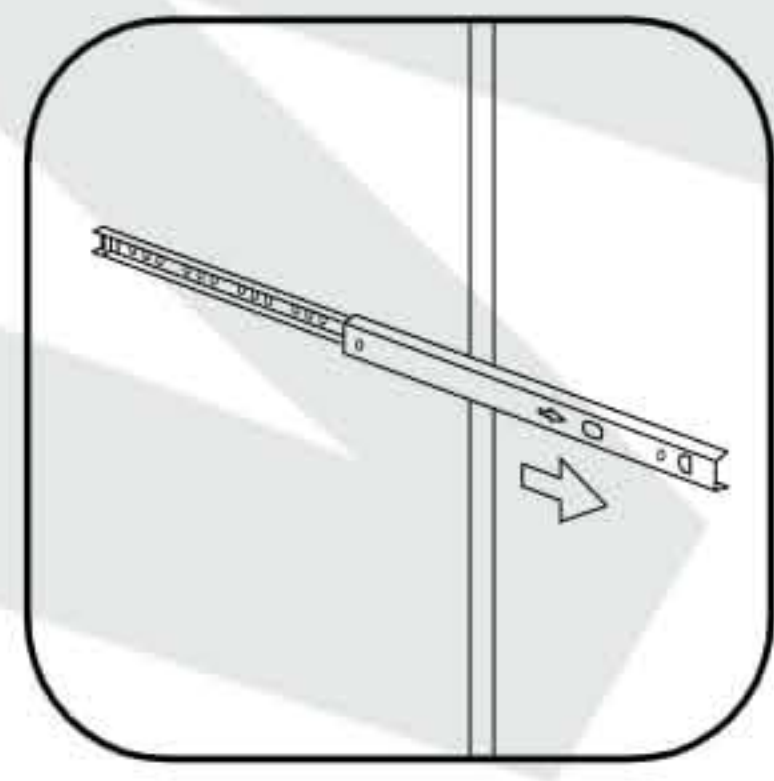
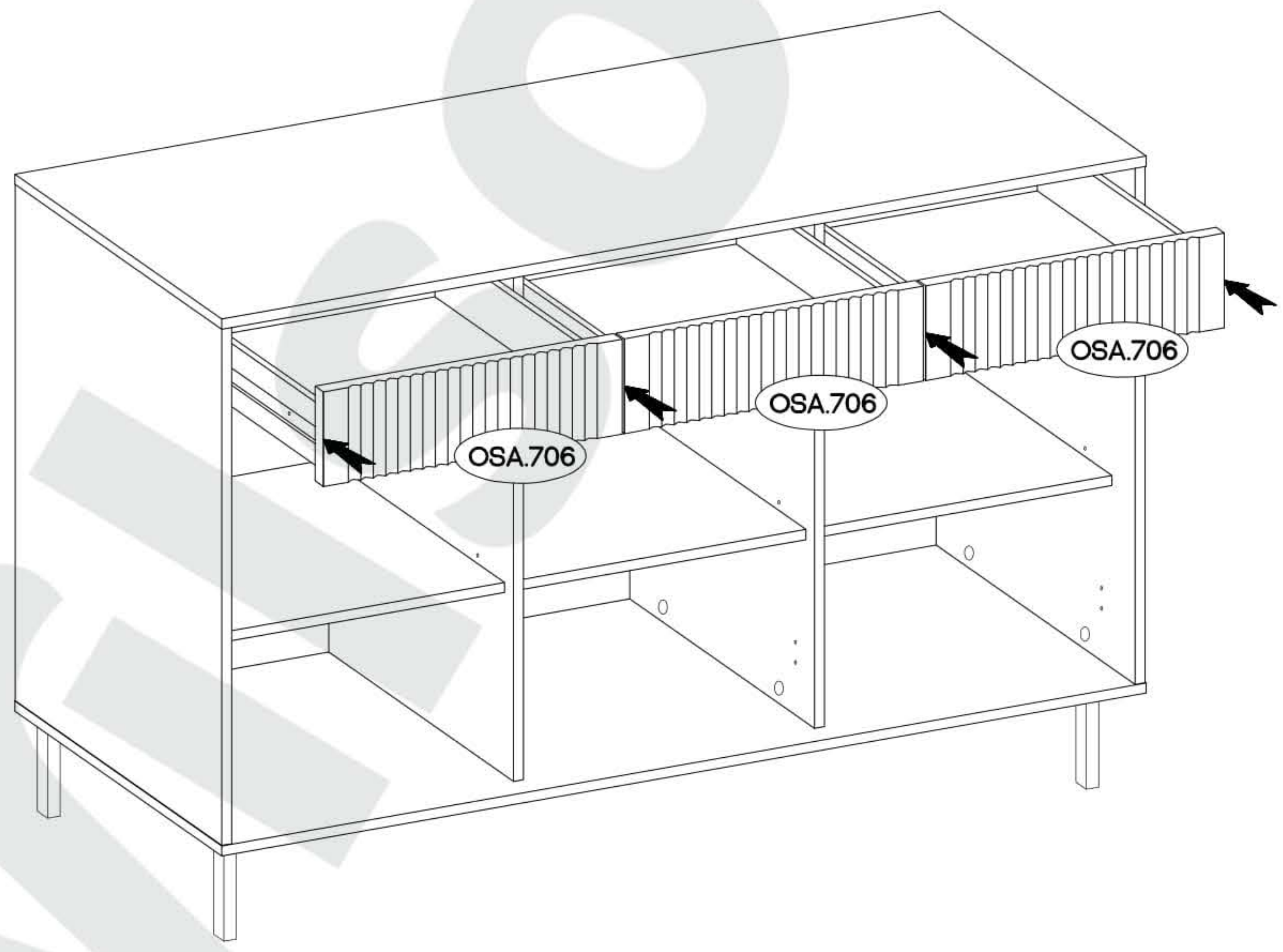
19

±5/16mm

 J3
 12






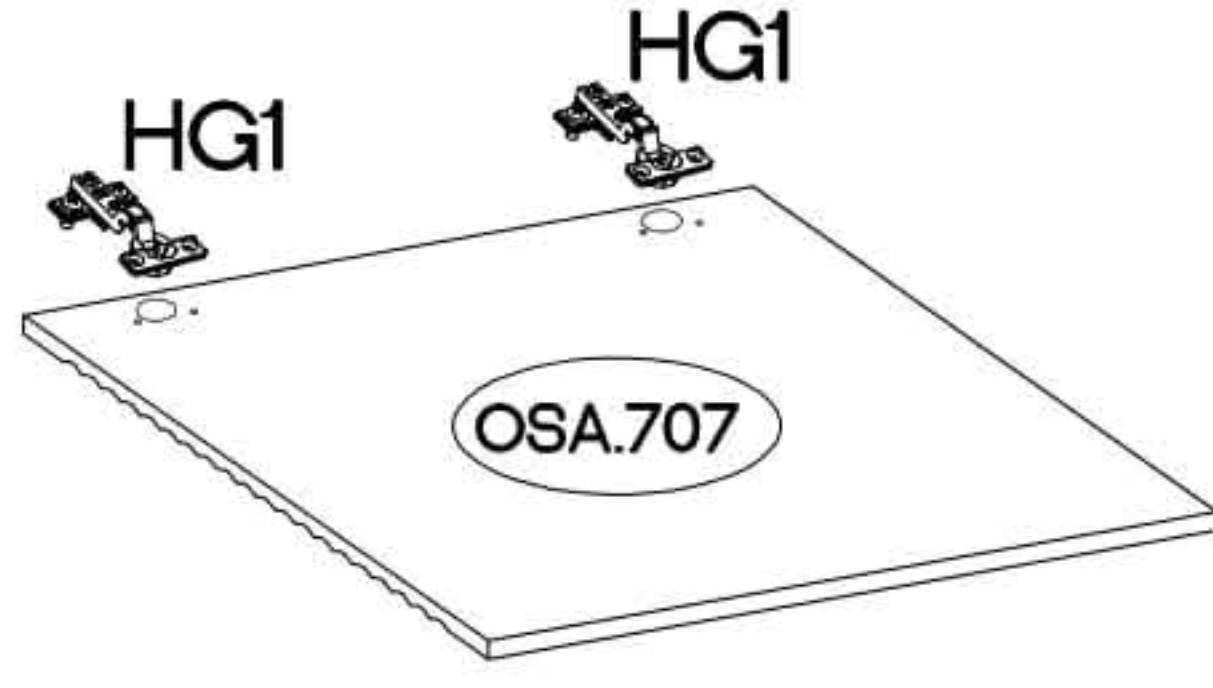
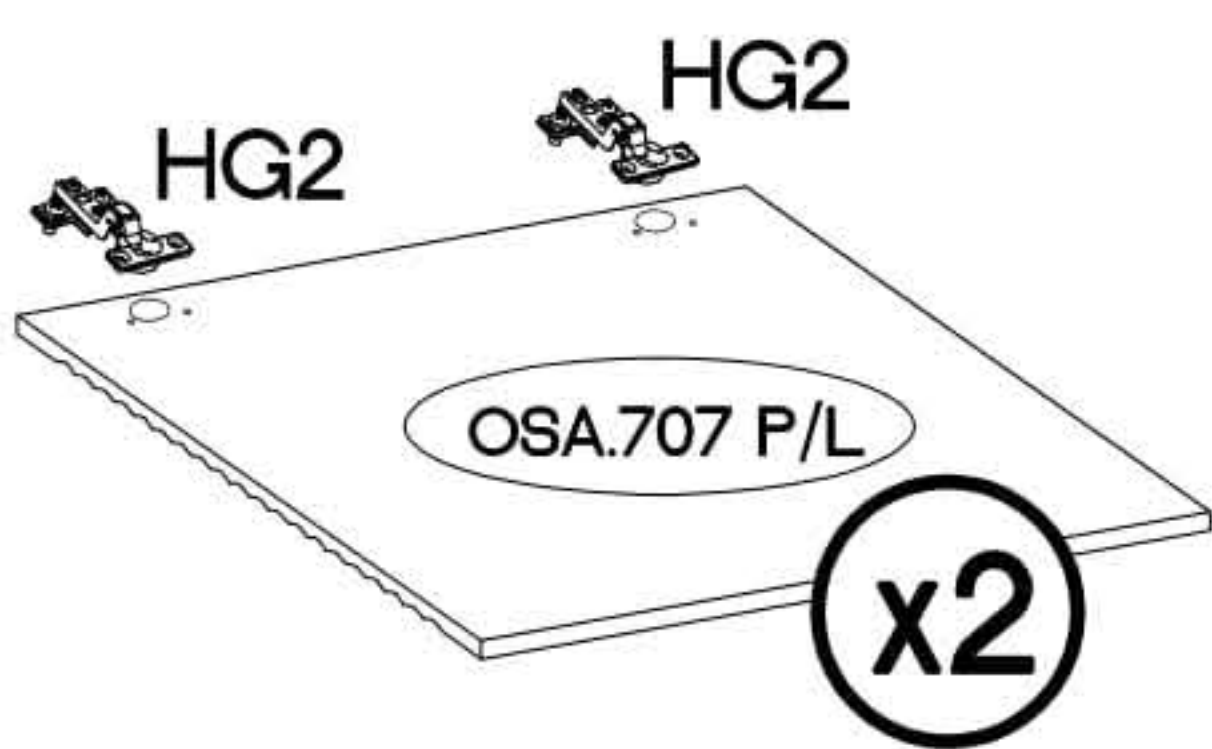
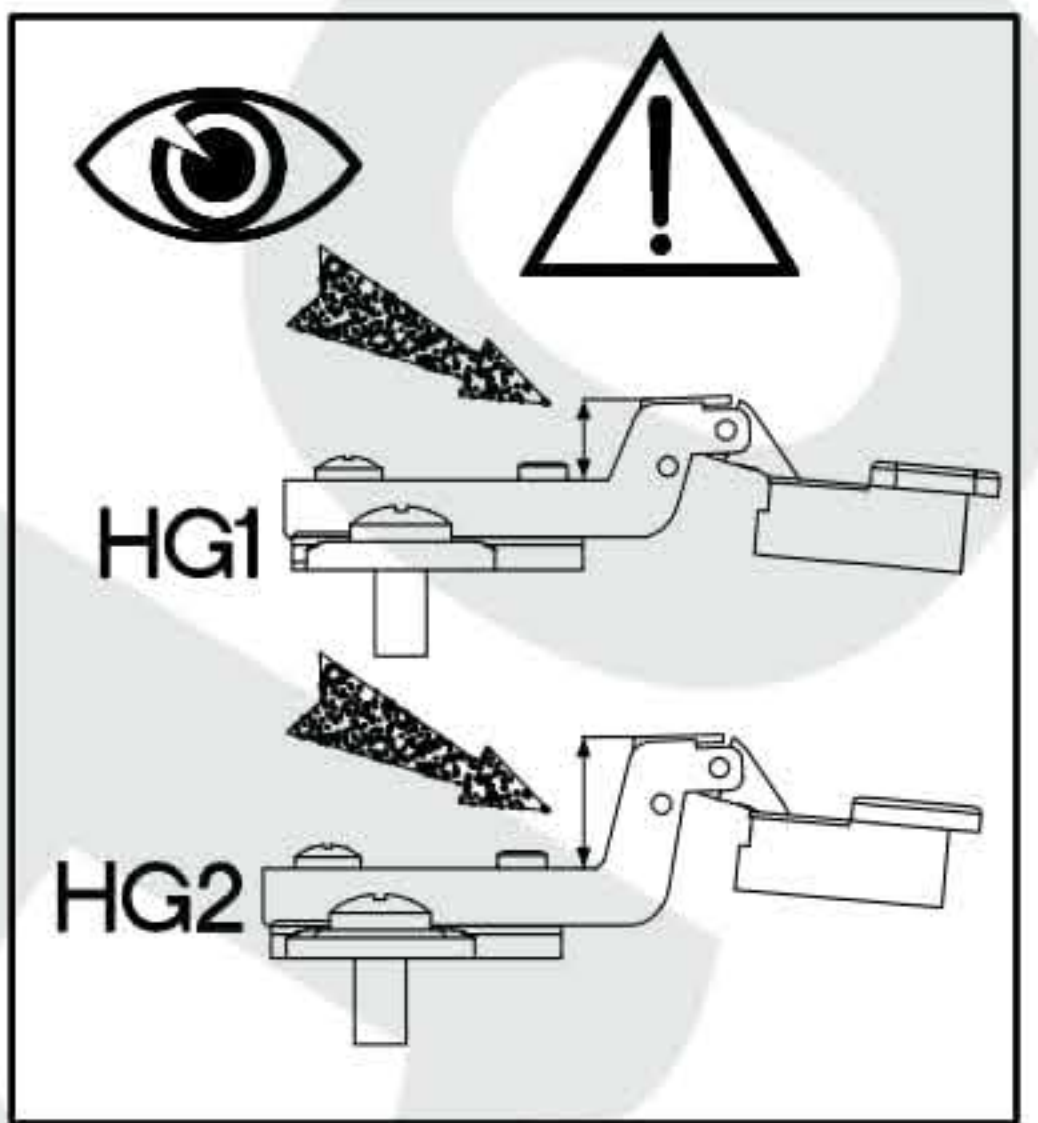
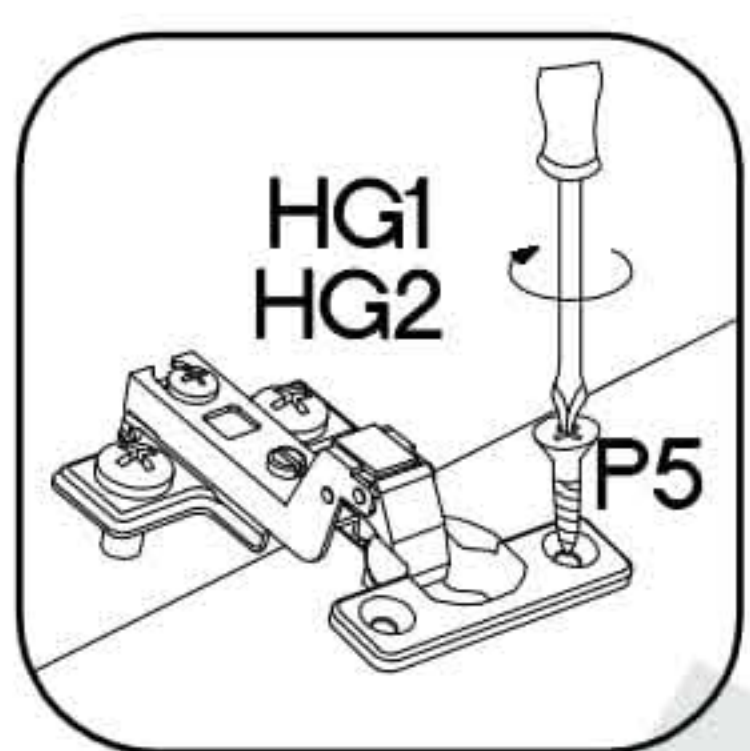
20

M4x9mm

 U1
 6

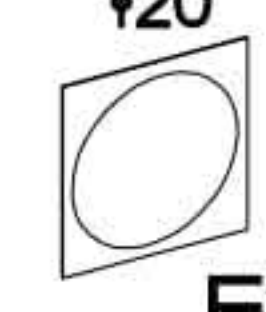



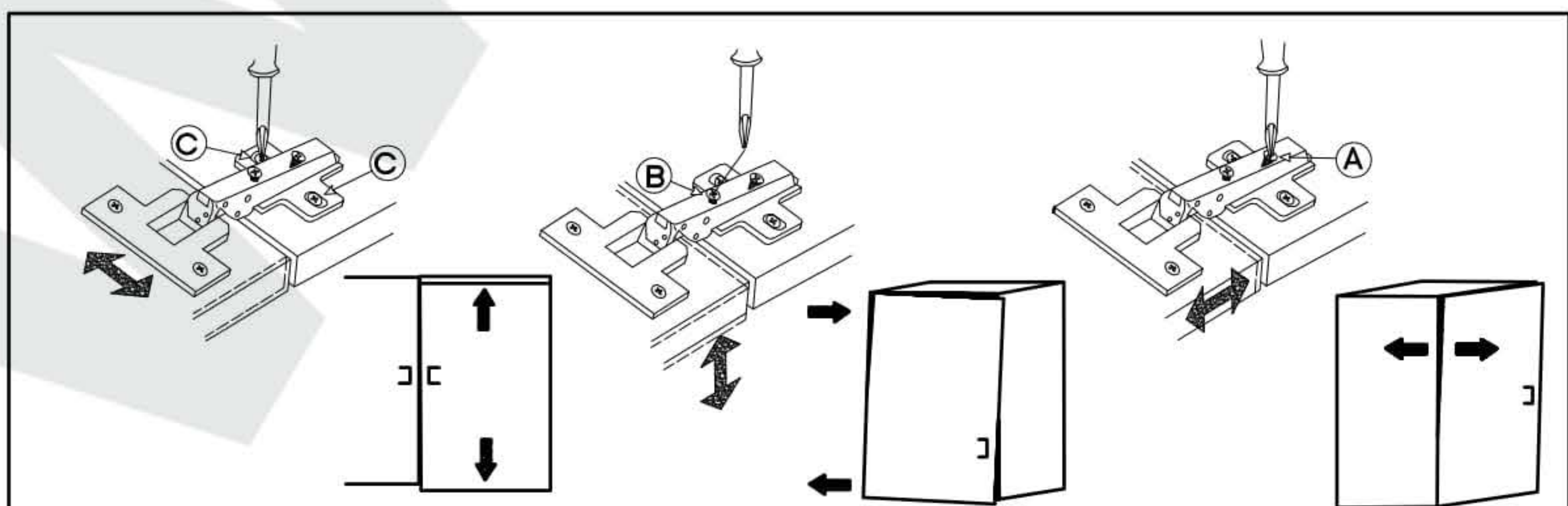
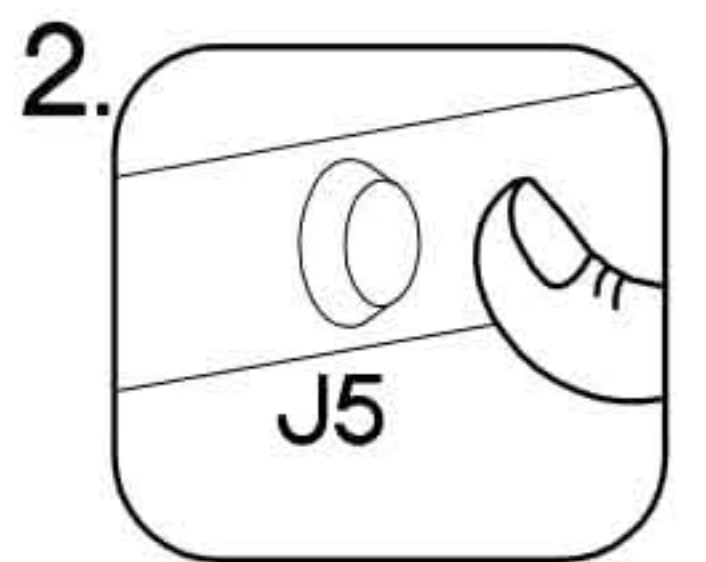
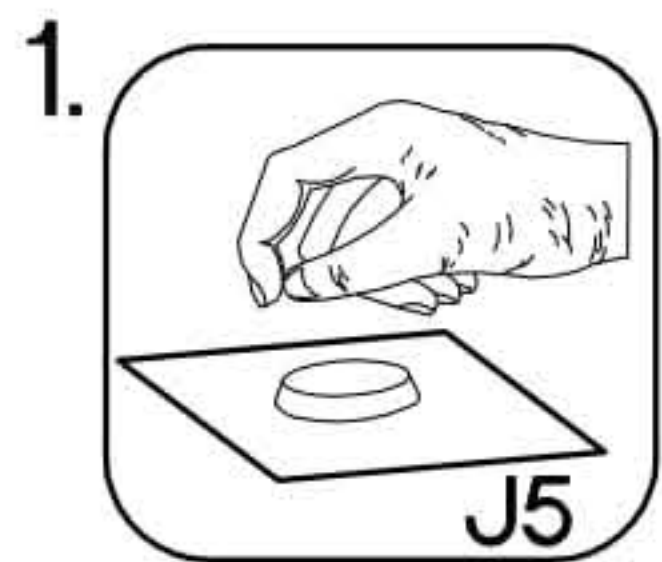
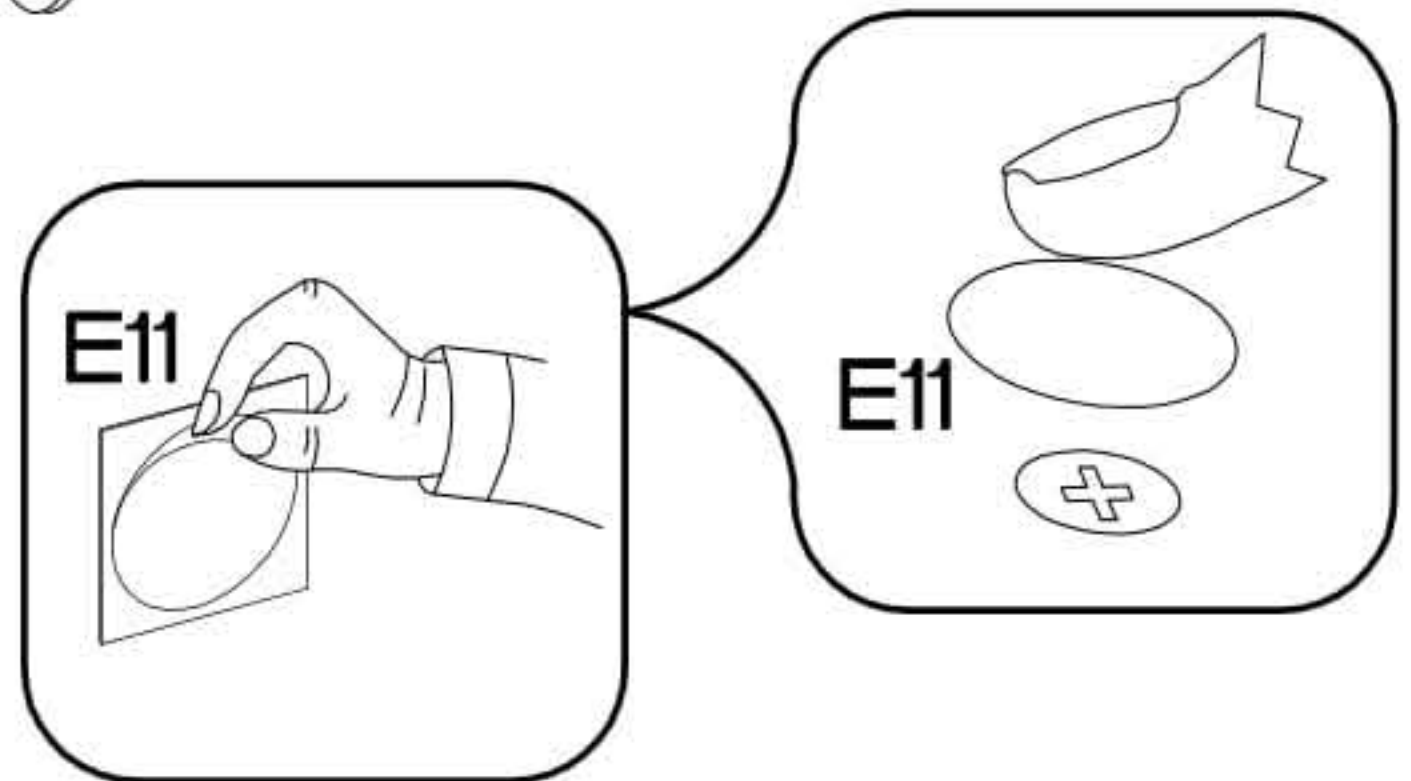
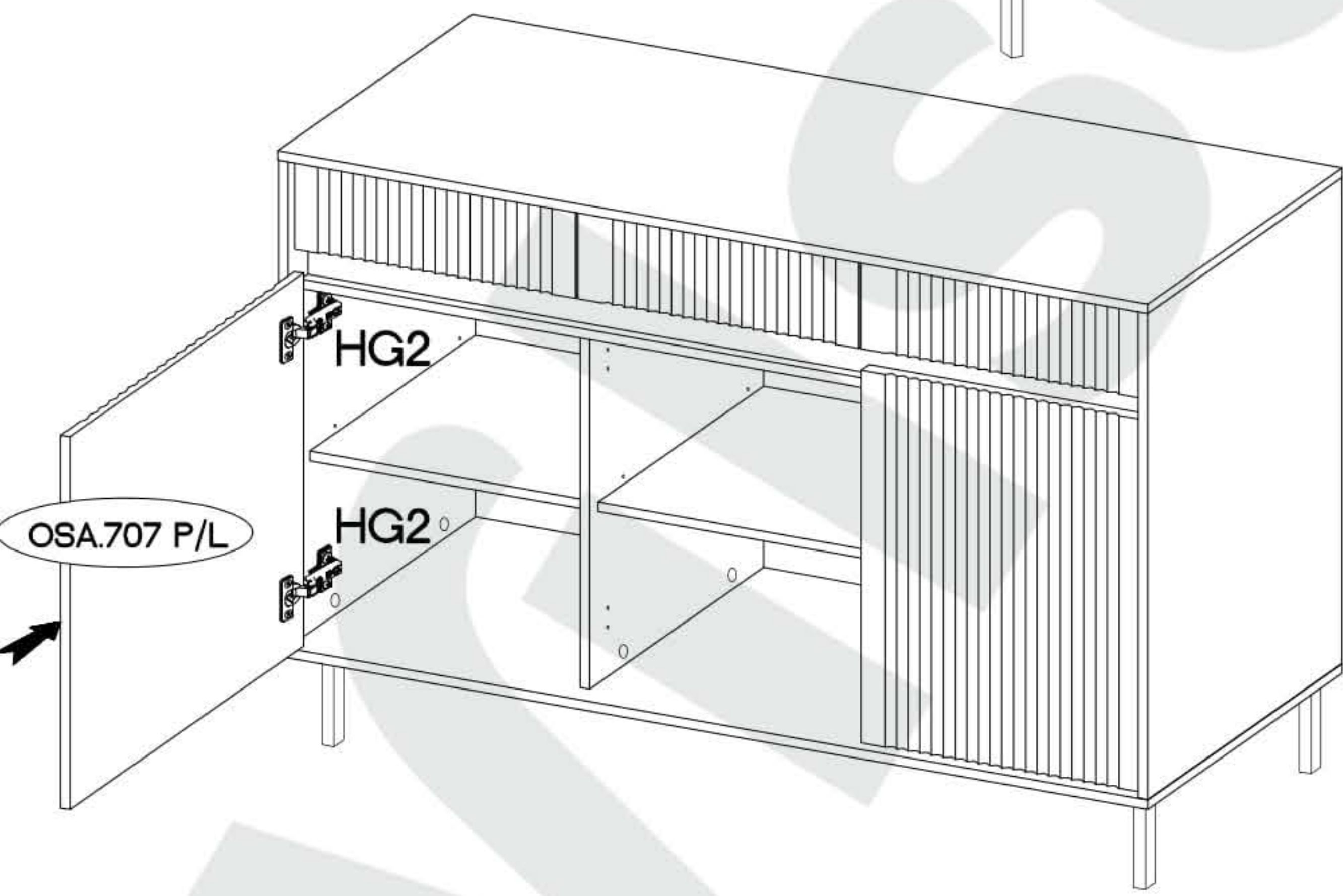
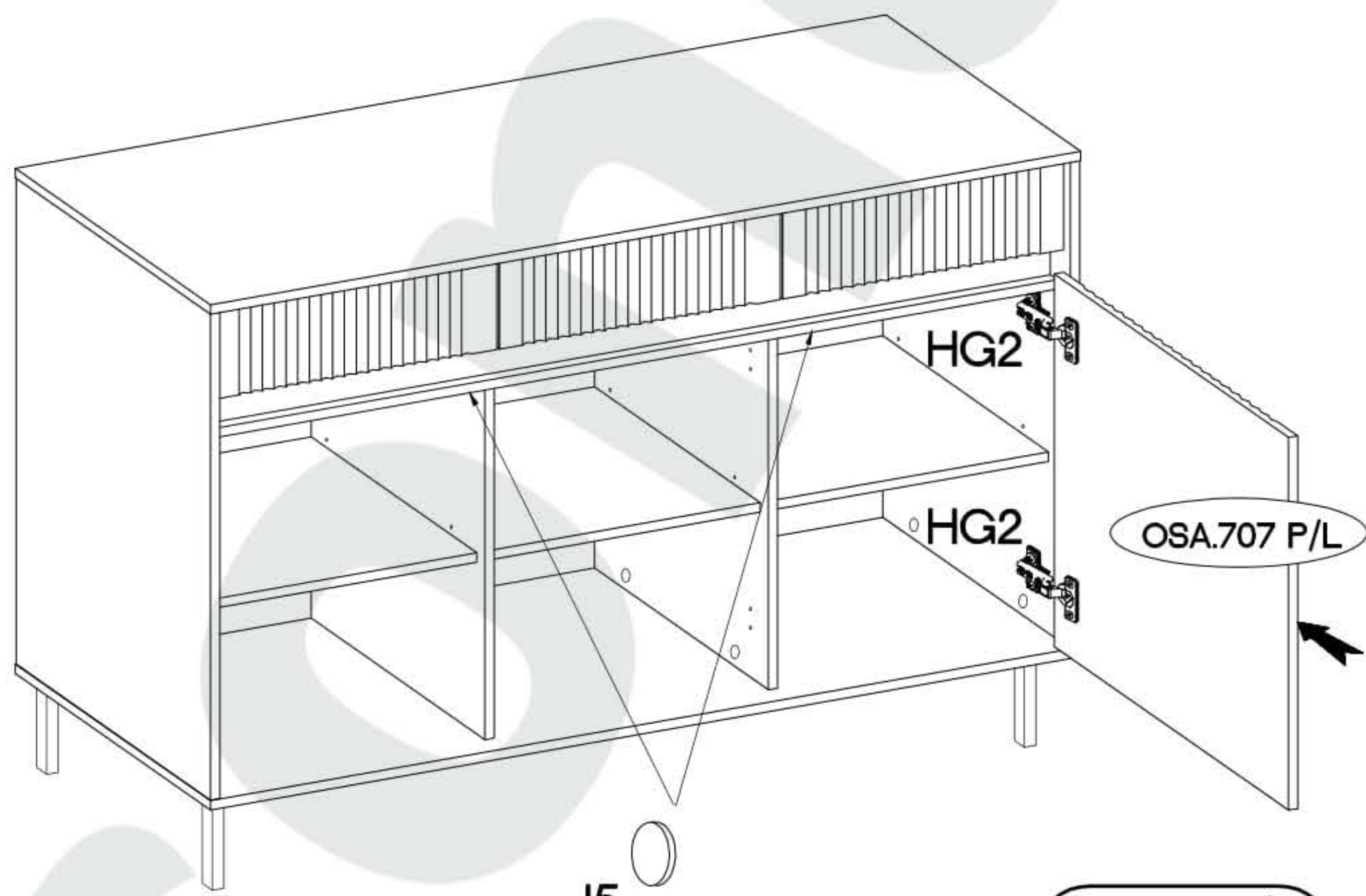
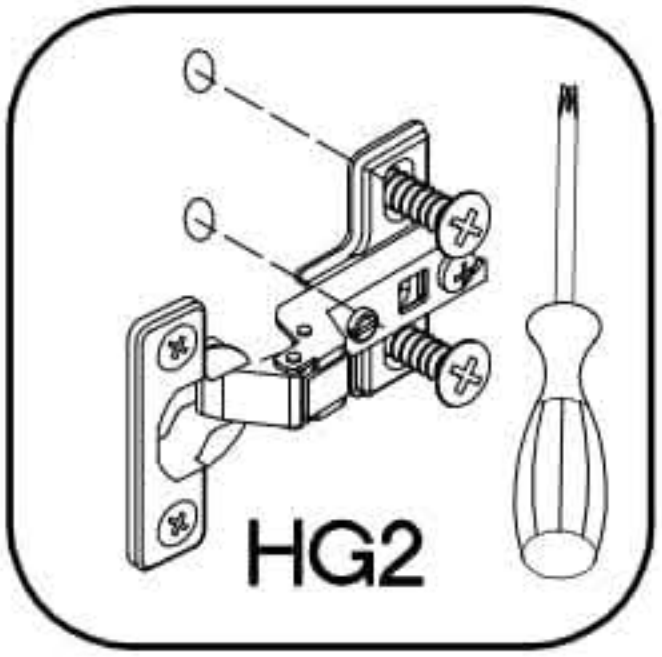
21


$\varnothing 35/16\text{mm}$  HG2 4	$\varnothing 35/9\text{mm}$  HG1 2	$\varnothing 3.5 \times 13\text{mm}$  P5 12
--	---	--



22

$\varnothing 20$  E11 12	$\varnothing 7/2\text{mm}$  J5 2
--	--



±7/2mm

J5
1

