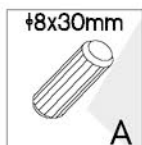
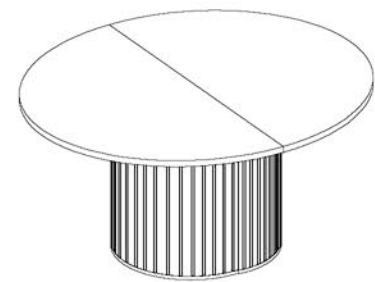
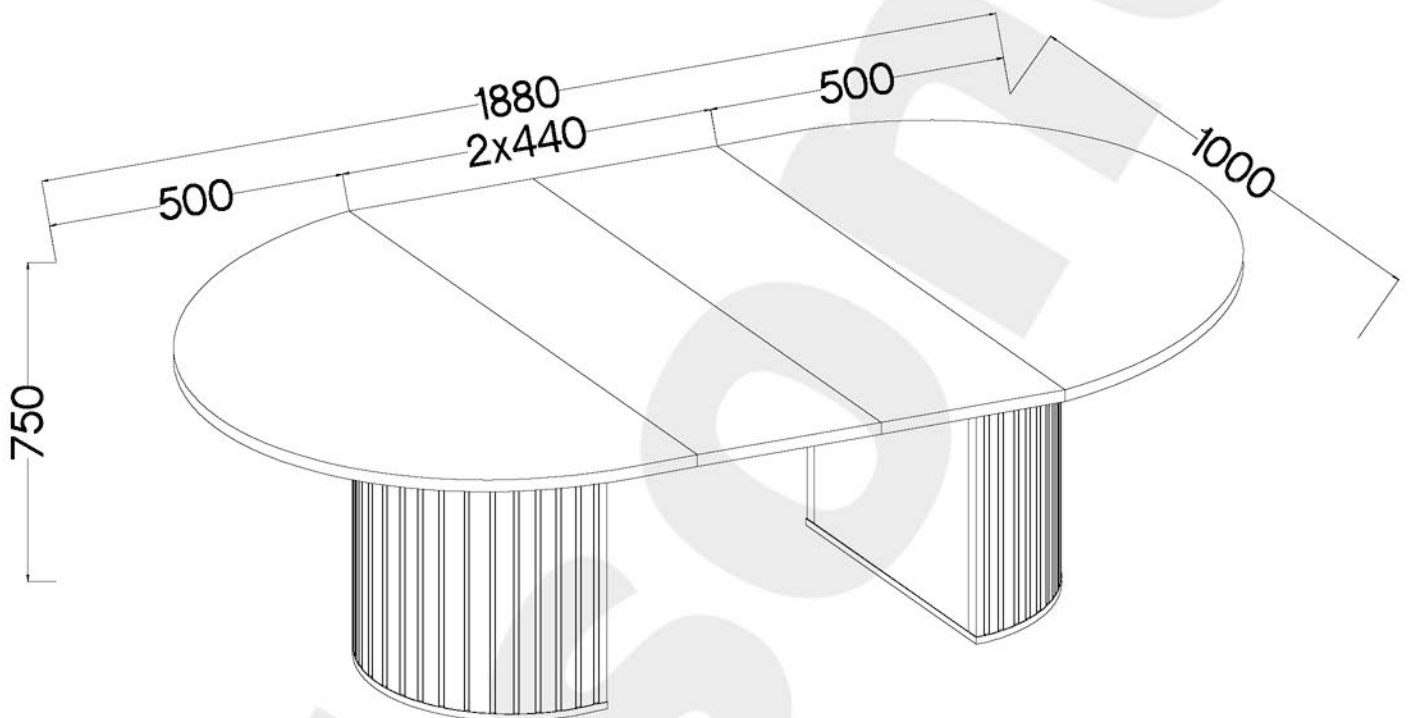
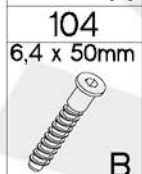


TYP 204



A



B

6



C

14



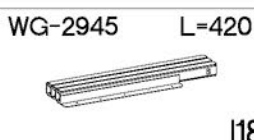
D2

14



E18

6



I18

2



J61

12



K50

6



O

1



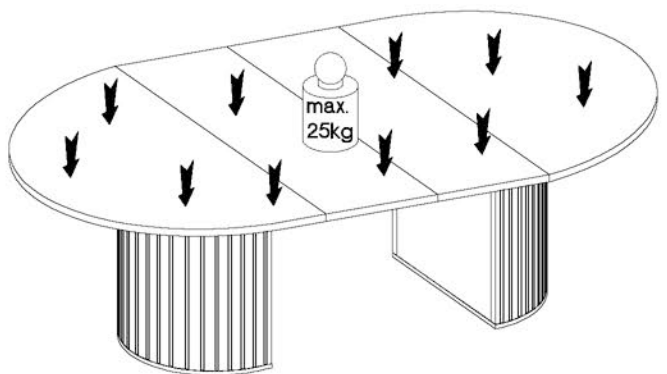
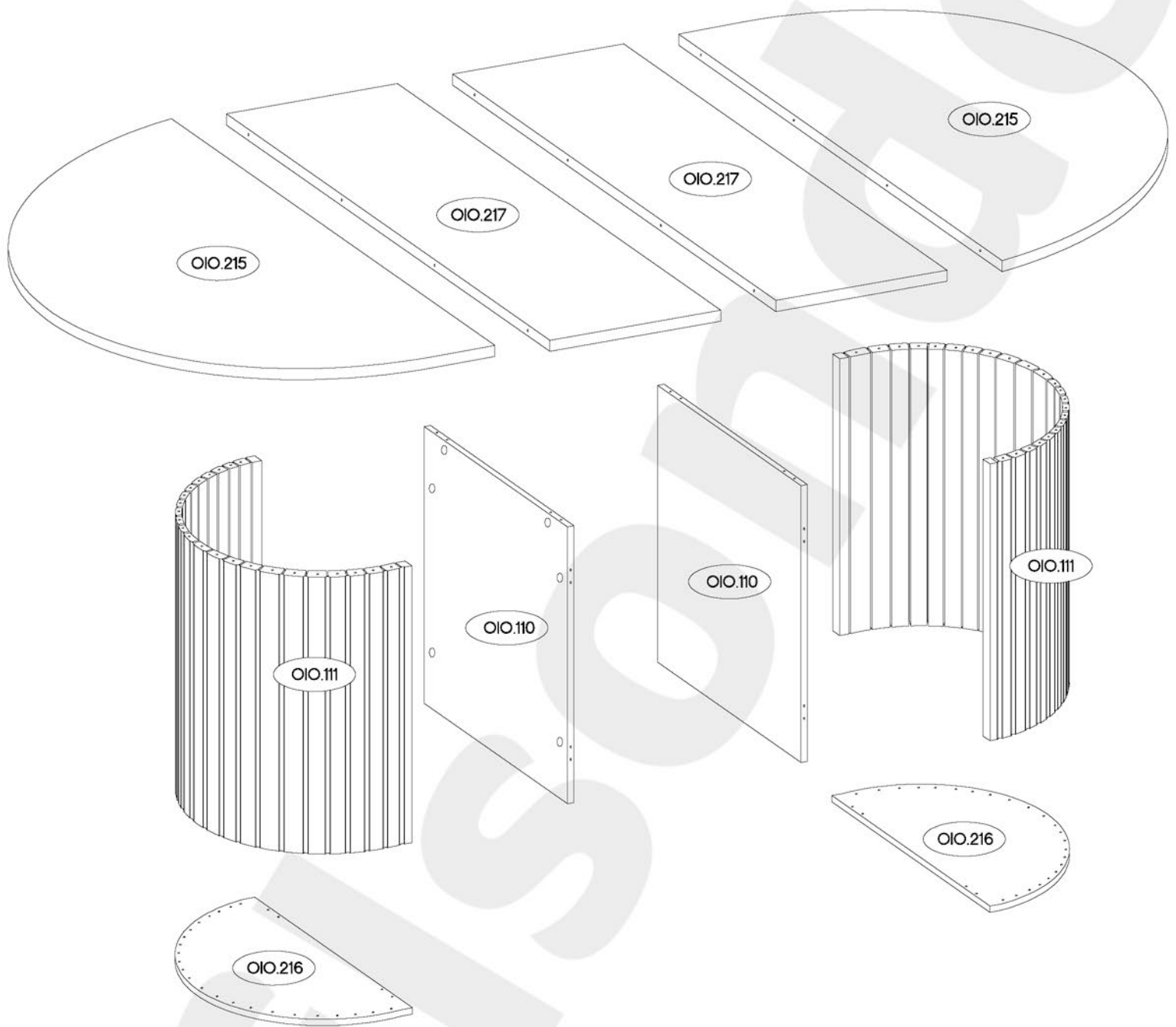
P11

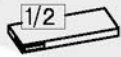
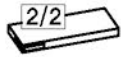
24




R

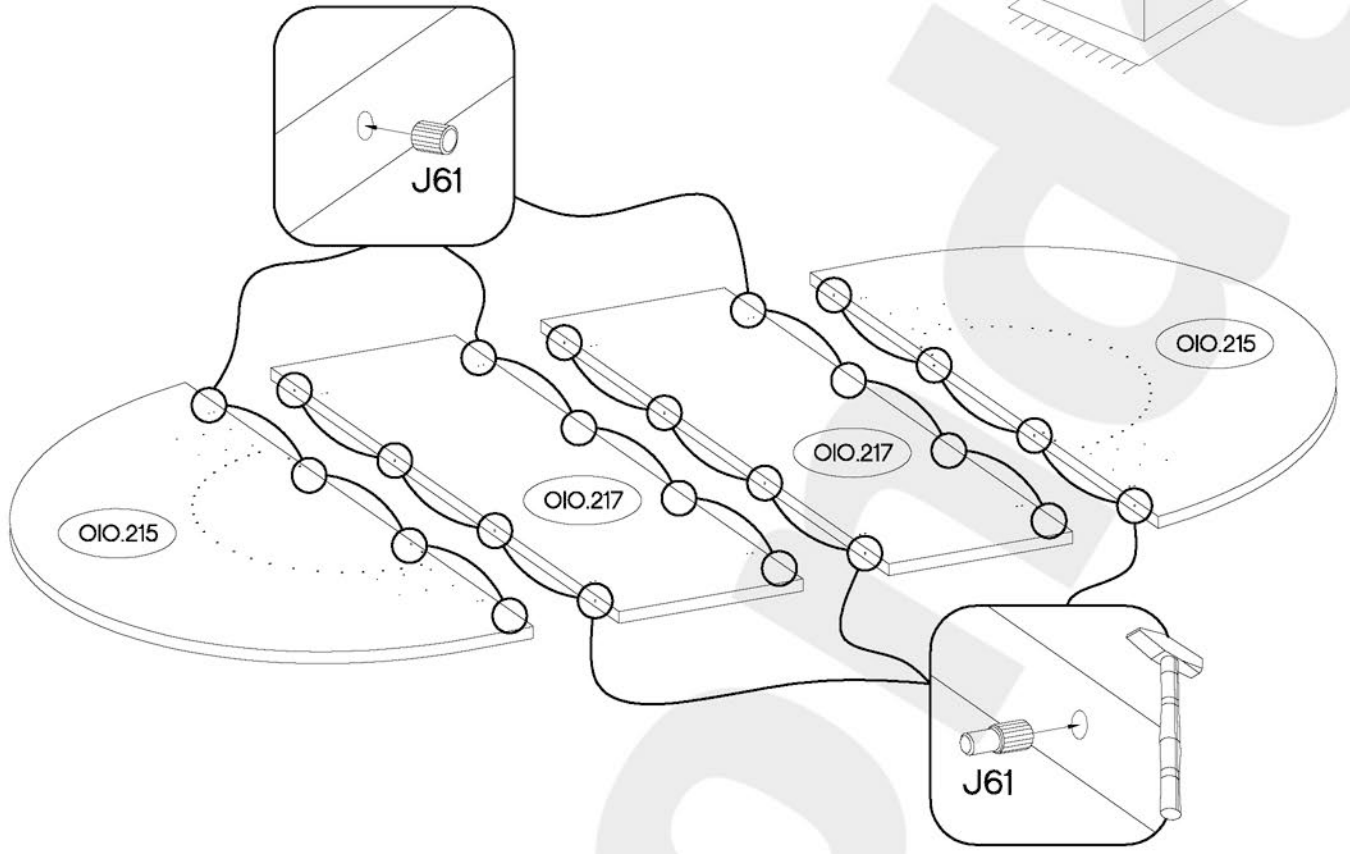
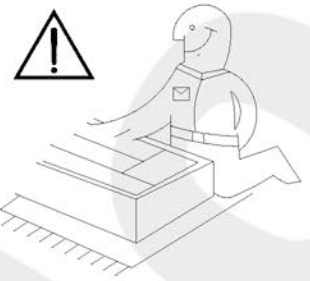
12






	Ersatzteil Nummer	Dimension
	OIO.215 x2	1000x500x28
	OIO.217 x2	1000x440x28
	OIO.216 x6	476x264x16
	OIO.110 x2	701x443x16
	OIO.111 x2	701x786x16

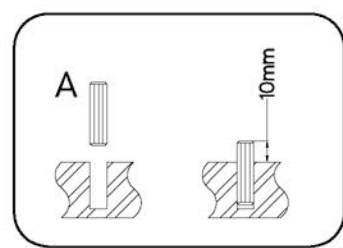
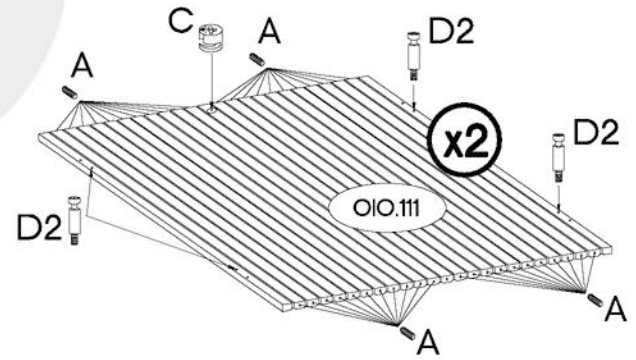
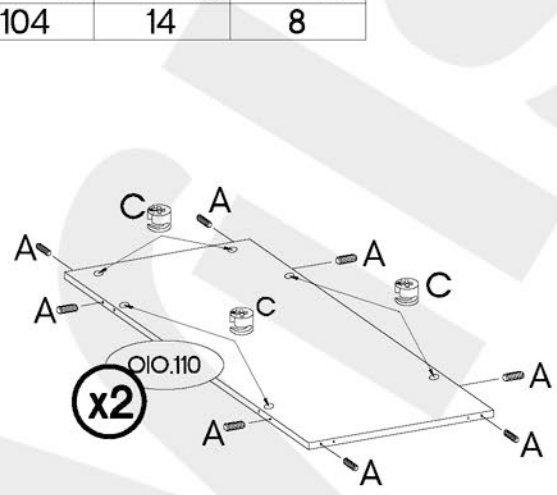
1

$\pm 7/20\text{mm}$

J61
12

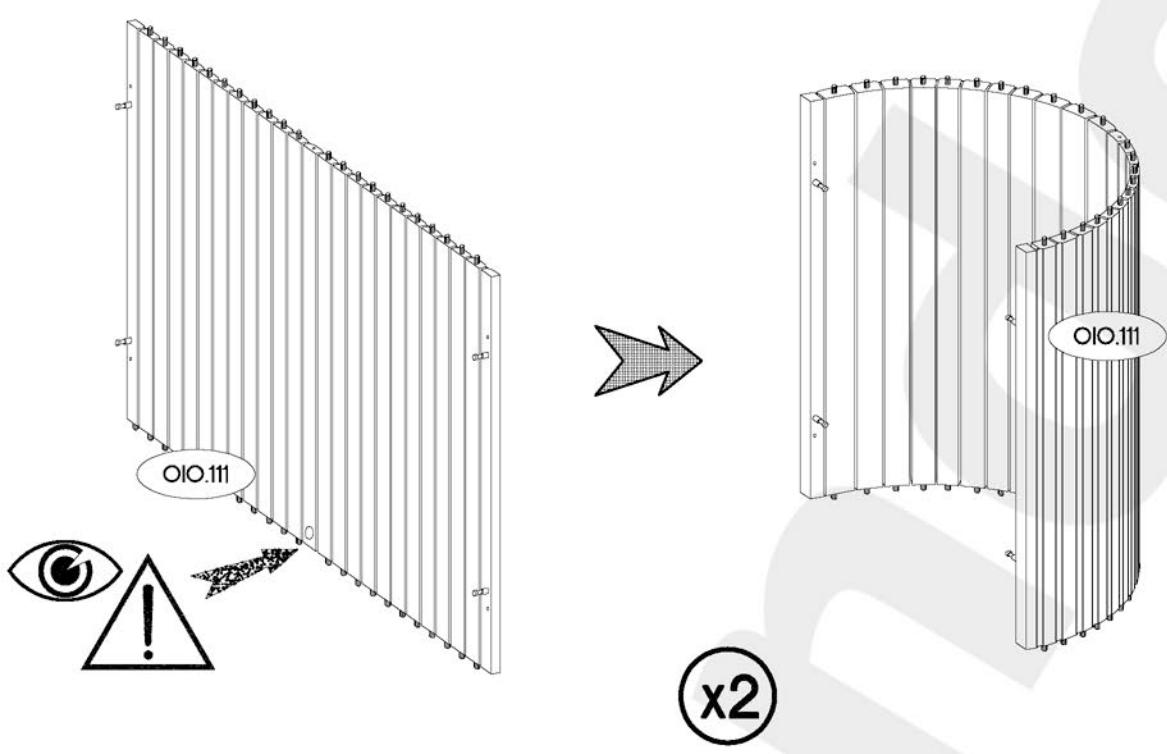


2

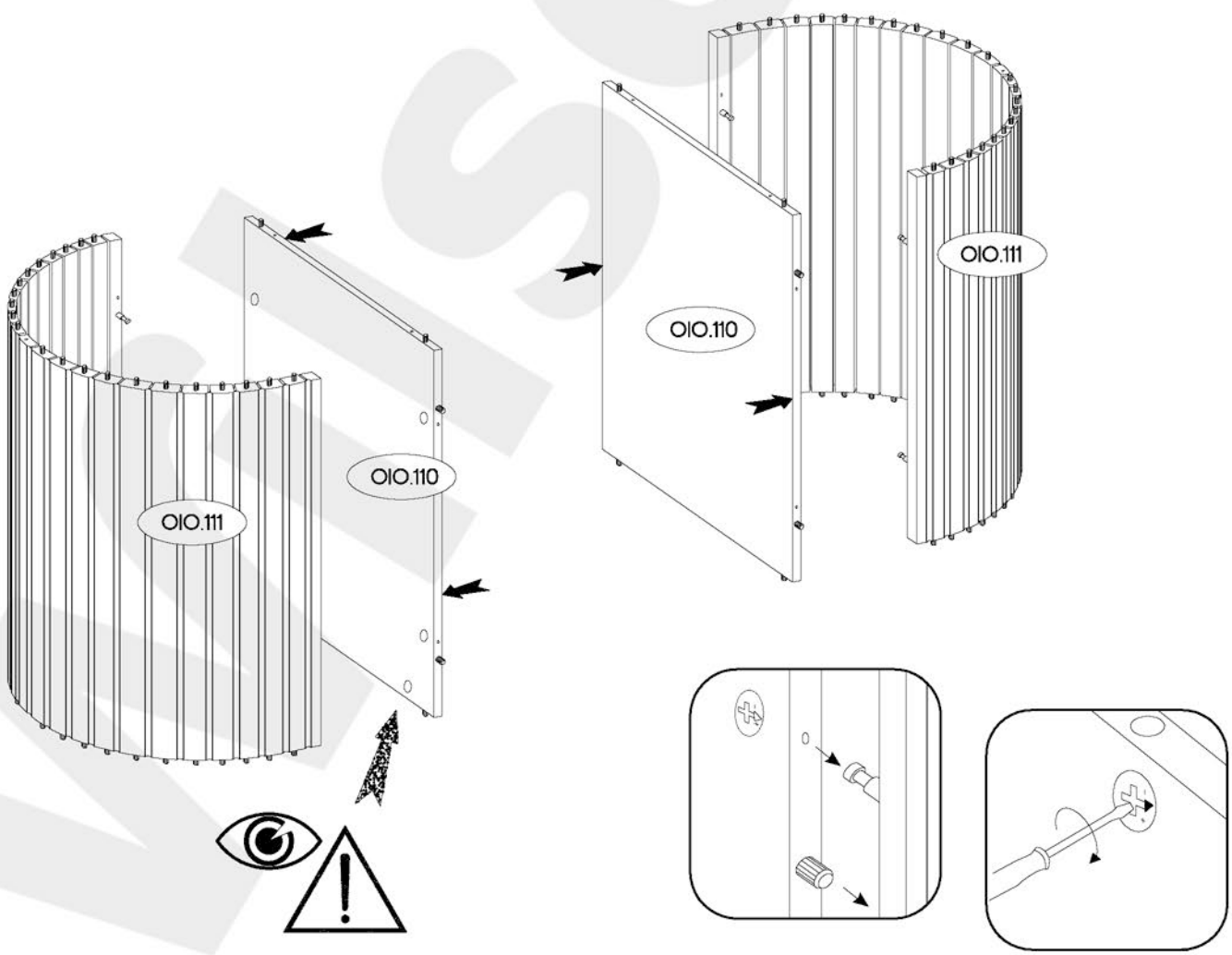
$\pm 8 \times 30\text{mm}$	$\pm 15/12\text{mm}$	L=20mm
		
A	C	D2
104	14	8



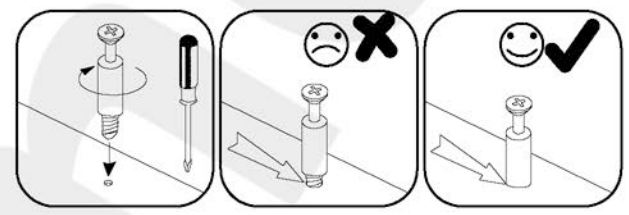
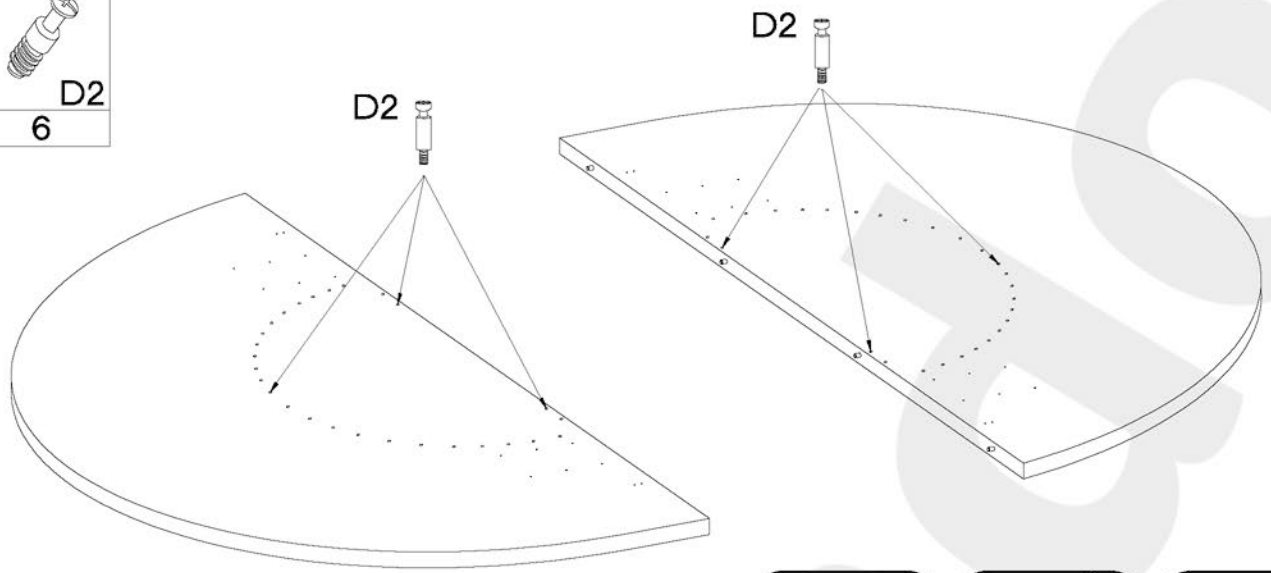
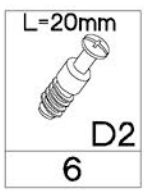
3



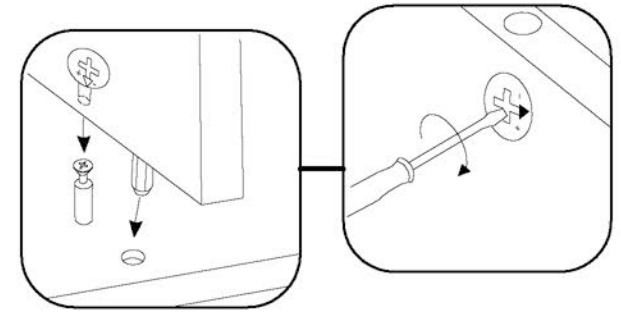
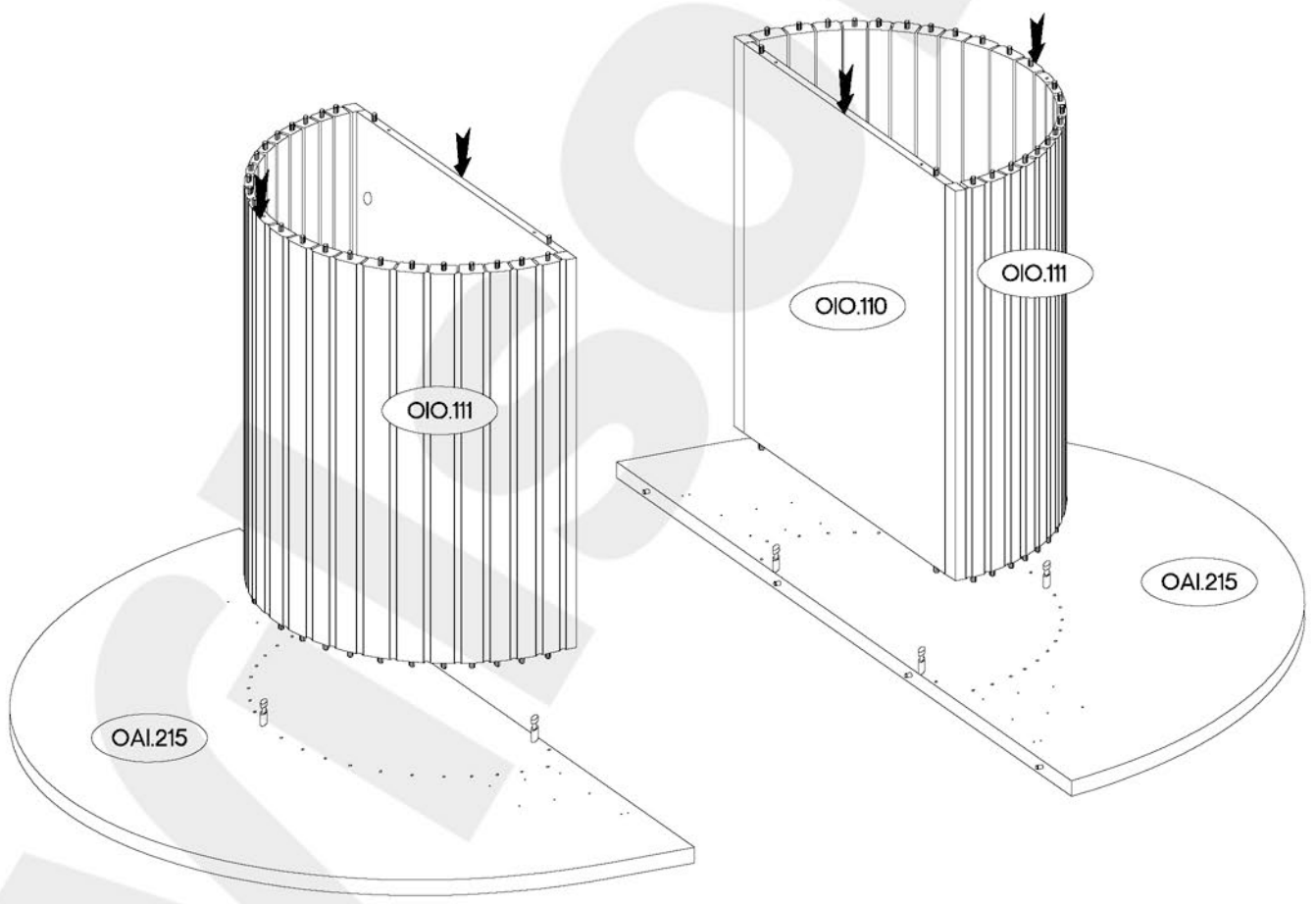
4



5



6



7

6,4 x 50mm



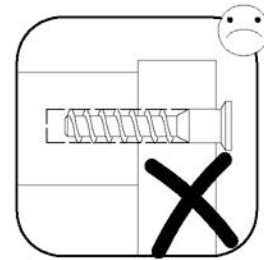
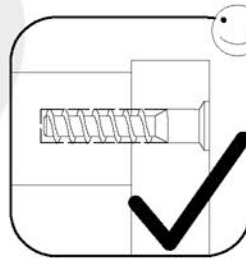
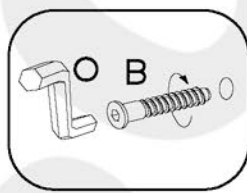
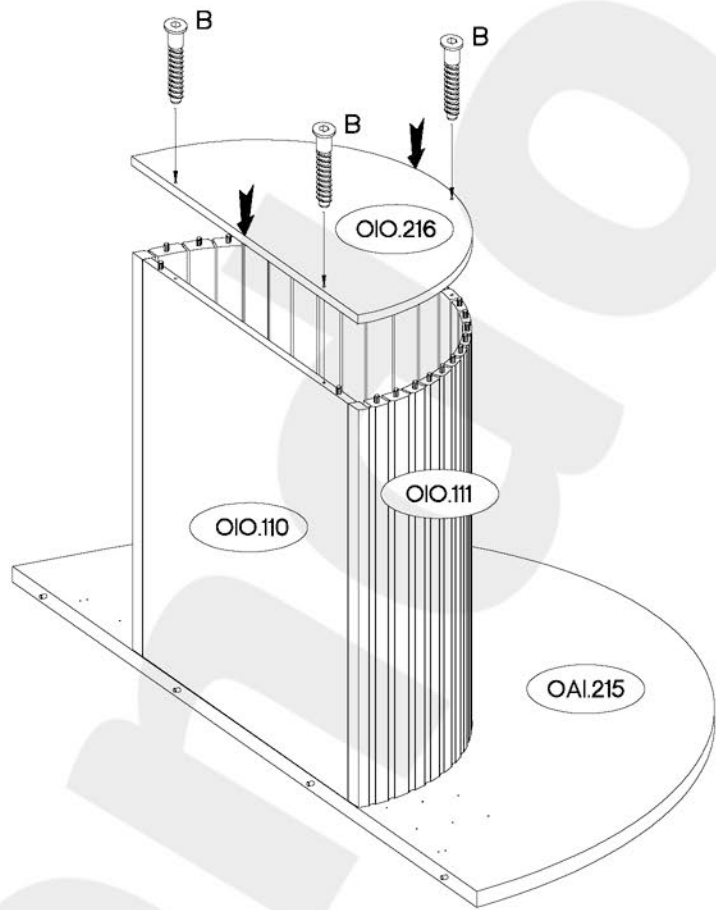
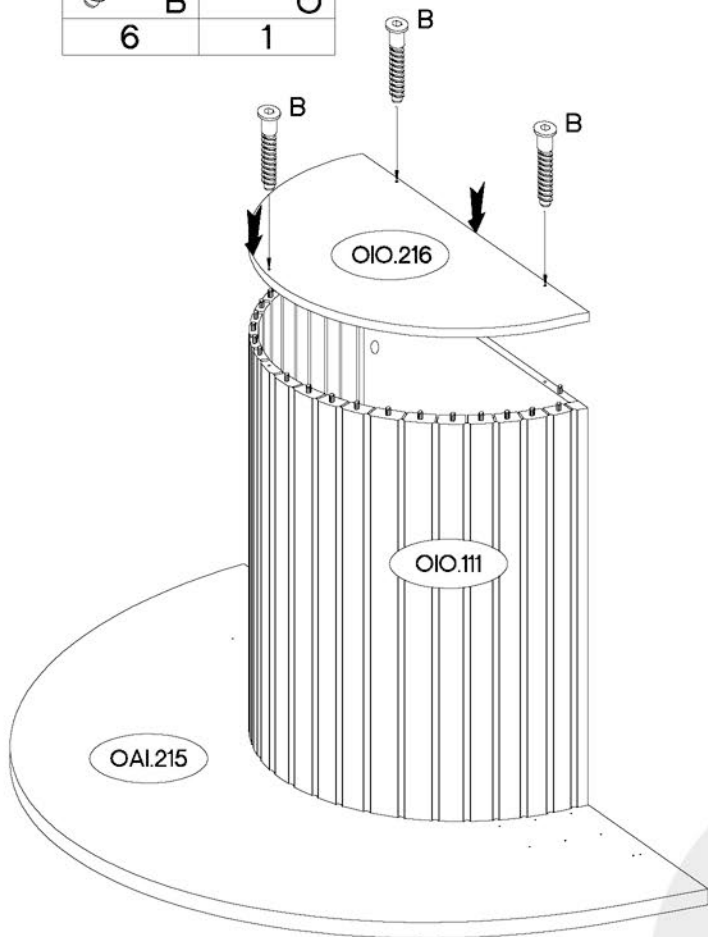
B

6



O

1



8

3.0x16mm



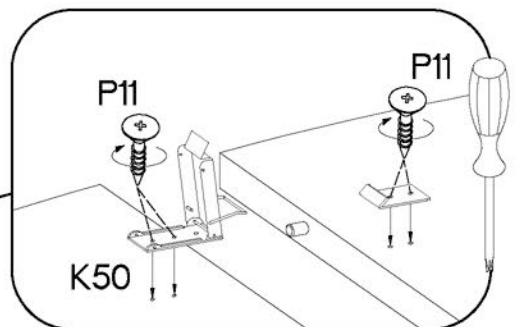
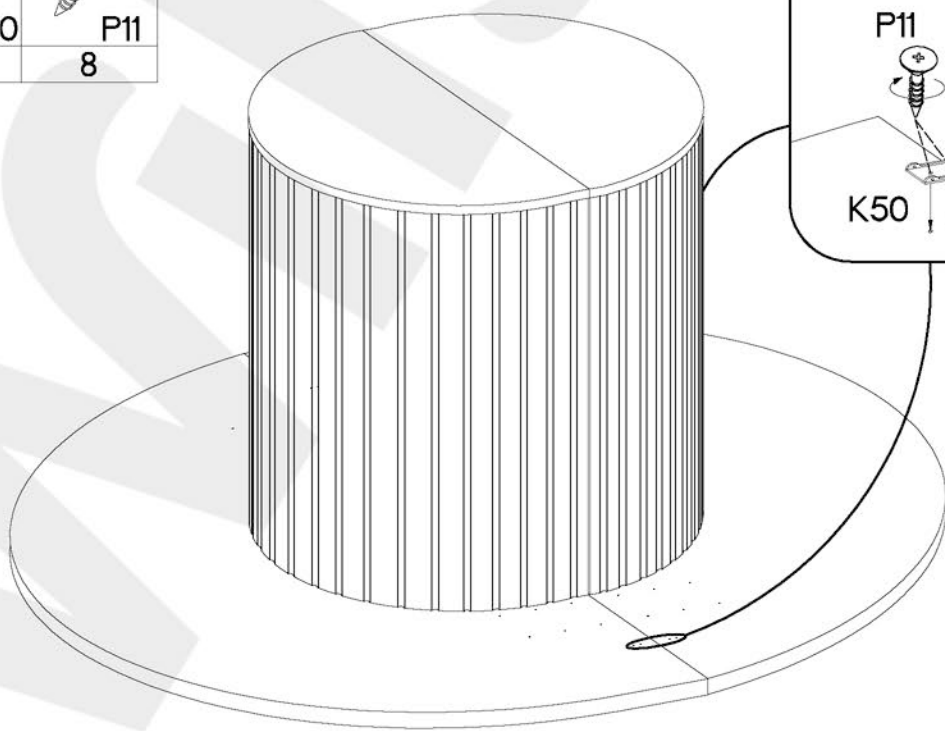
K50

2





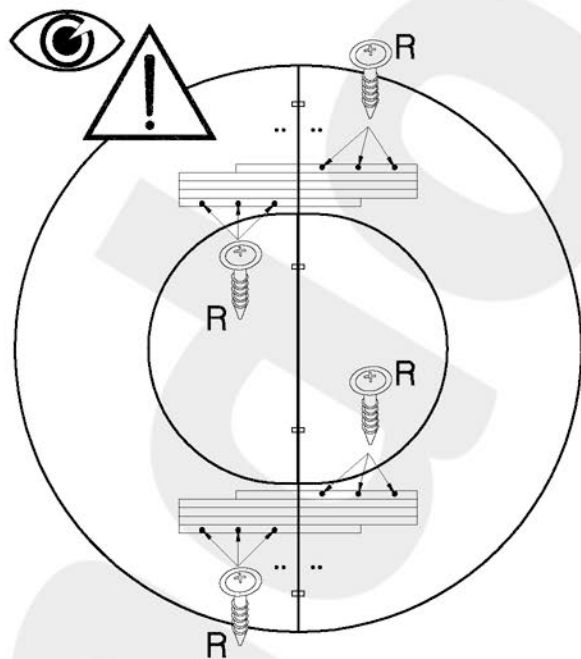
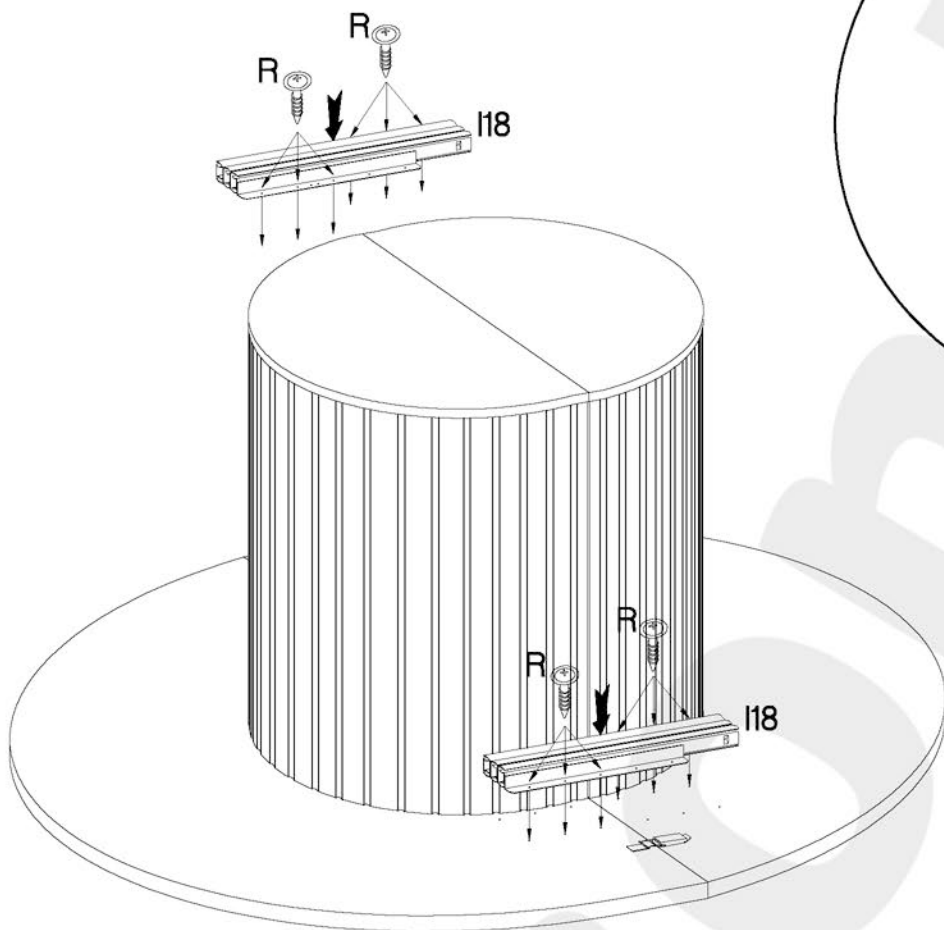
P11

8




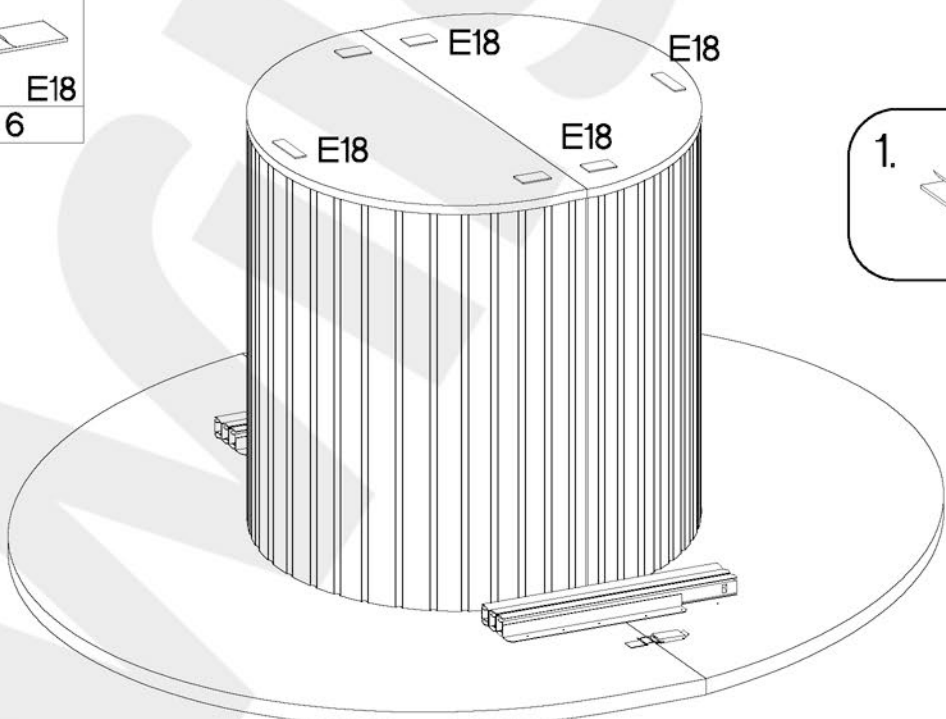
9



$\varnothing 4.0 \times 25 \text{mm}$  R 12	WG-2945  L=420 I18 2
--	--





10

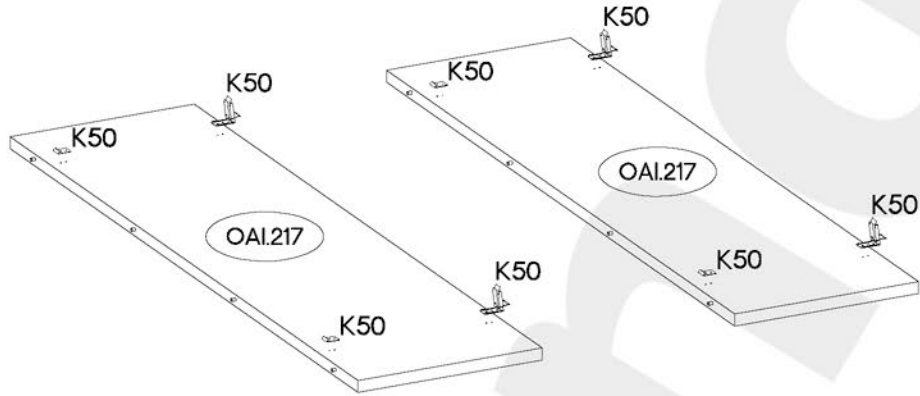
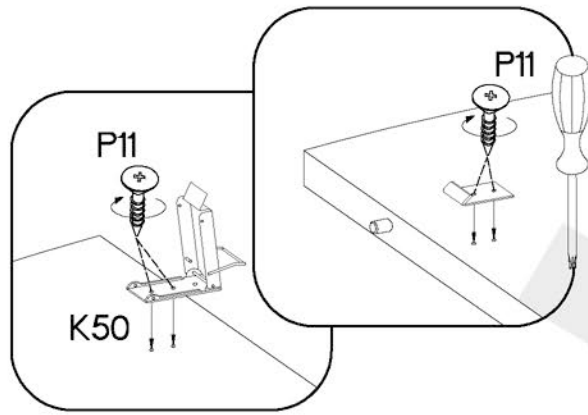
50x20mm  E18 6
--



1.  E18
2.  E18

11

	±3.0x16mm 
K50 4	P11 16



12

