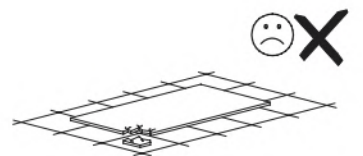
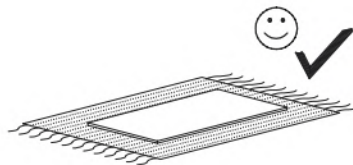
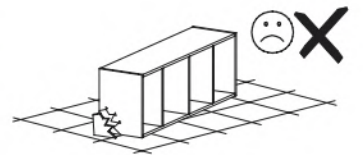
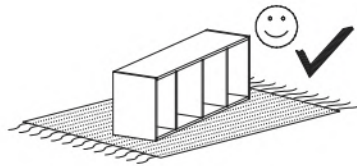
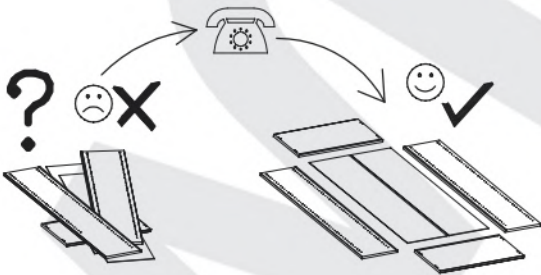
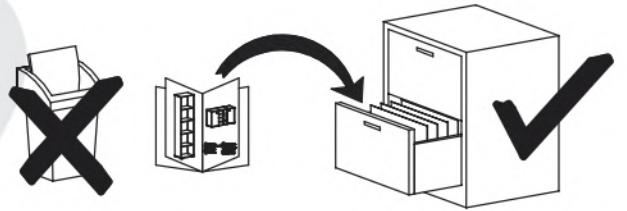
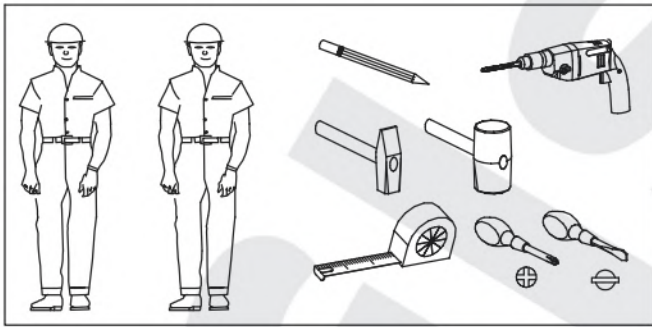
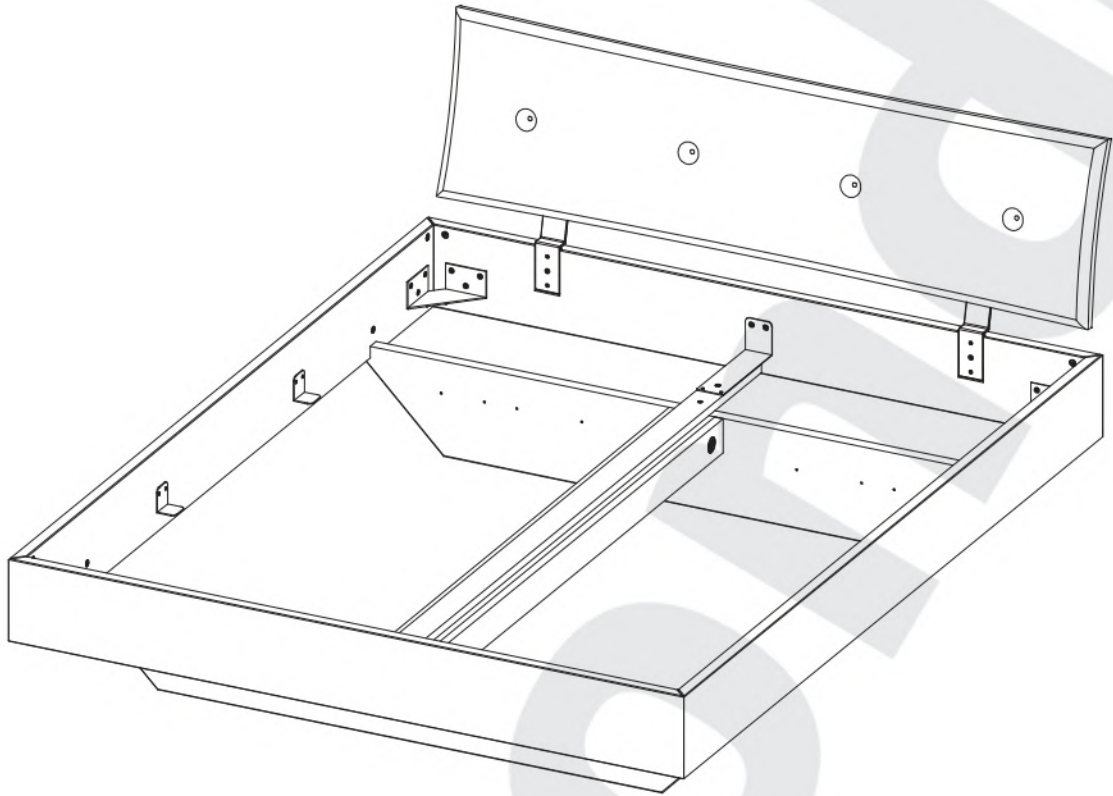
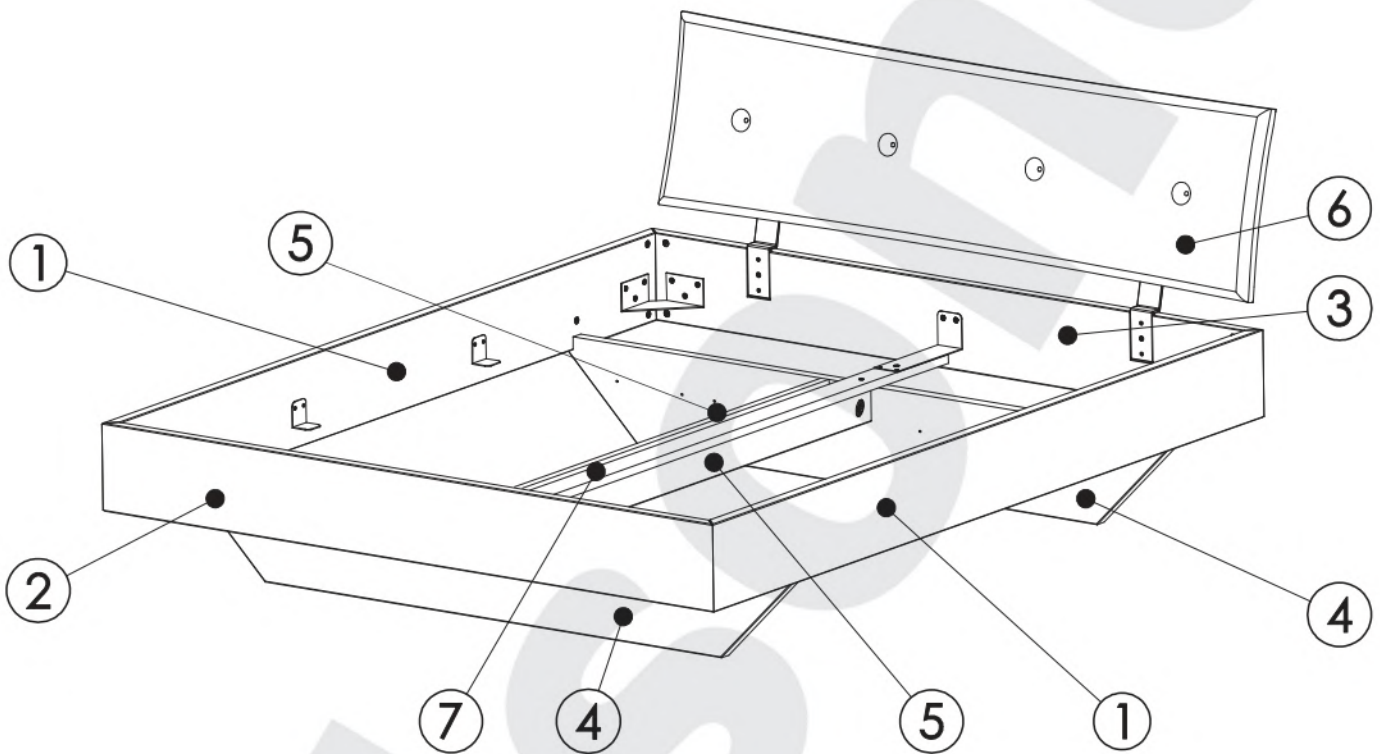
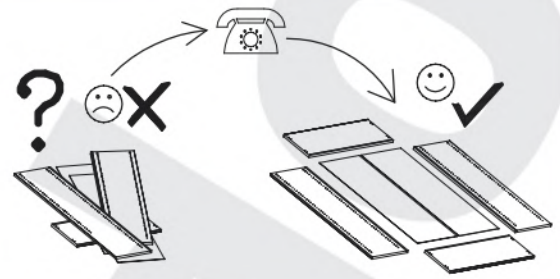
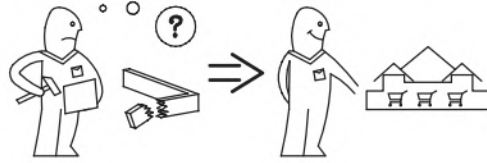
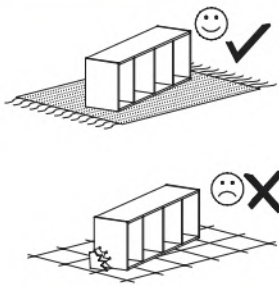


# PORTO





K4	
4	x...(1)

K11		K1	
7x50	x...(2)		x...(20)

P2	
	x...(4)

P1	
	x...(4)

P5	
	x...(2)

P7	
	x...(2)

K5	
	x...(4)

G1	
6	x...(1)

M2	
10x40	x...(8)

G1	
3,5x16	x...(4)

G2	
4x20	x...(8)

G12	
4x25	x...(4)

K2	
	x...(4)

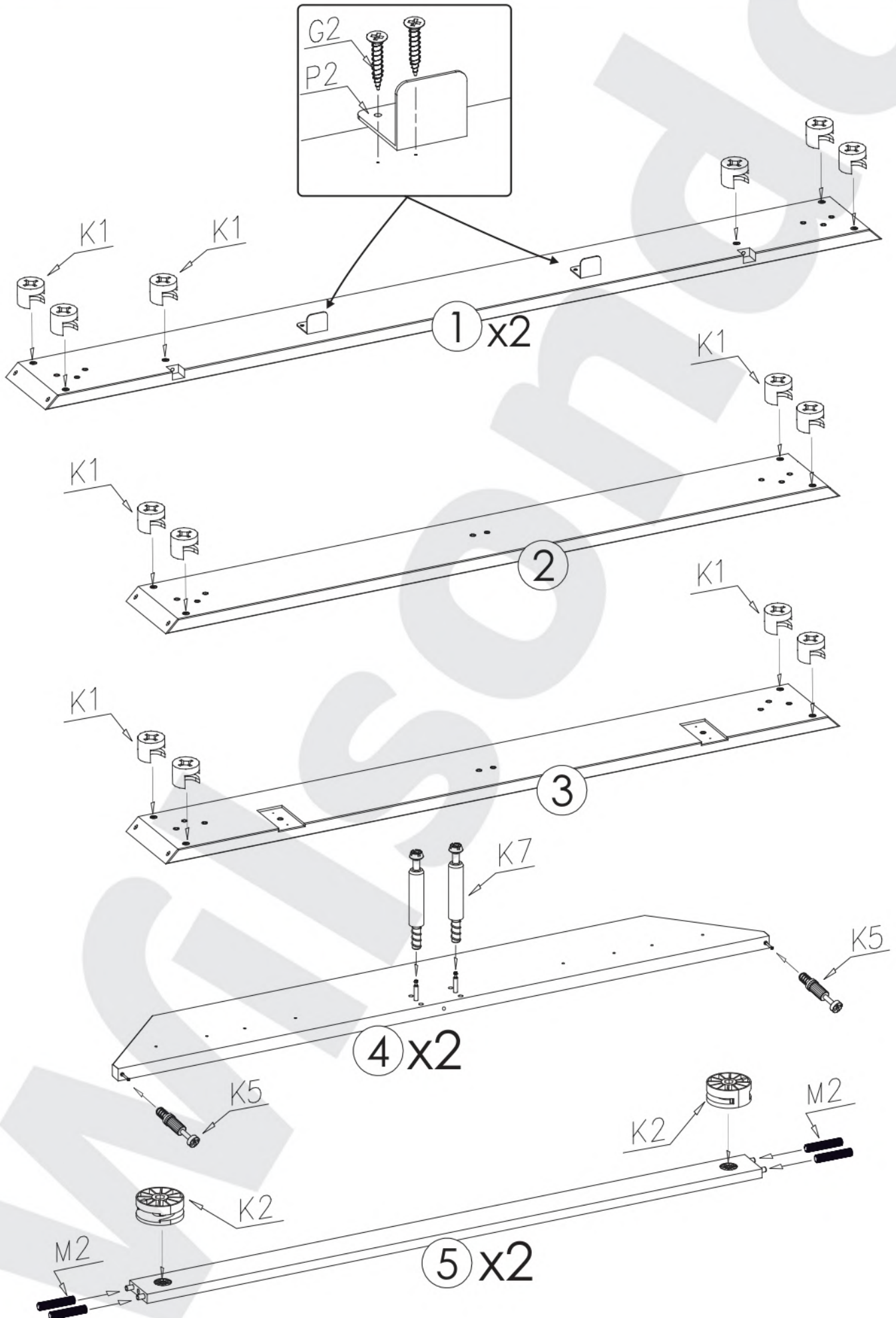
K7	
	x...(4)

N23	
M8x20	x...(32)

N11	
M6x18	x...(8)

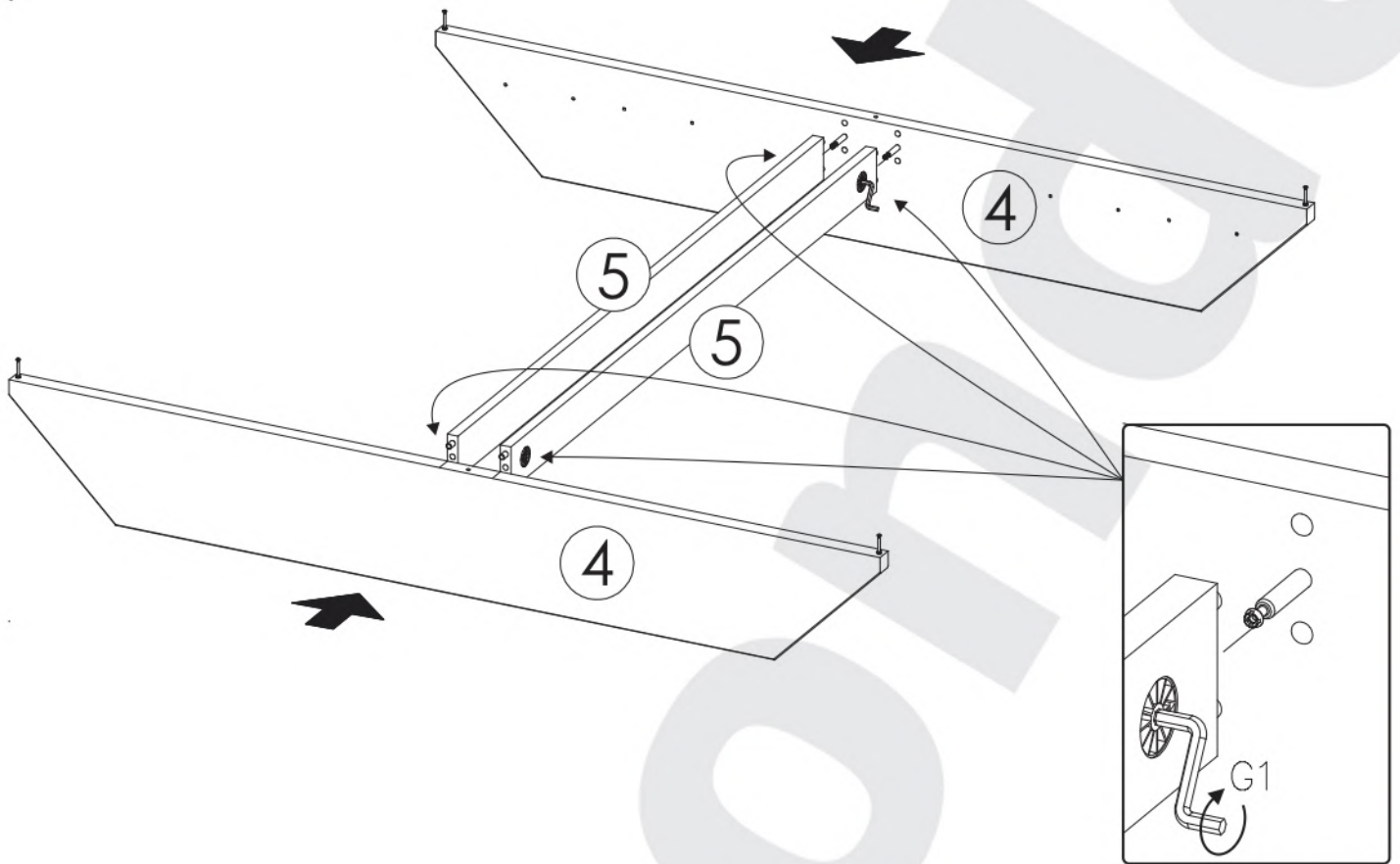
T3	
	x...(8)

I

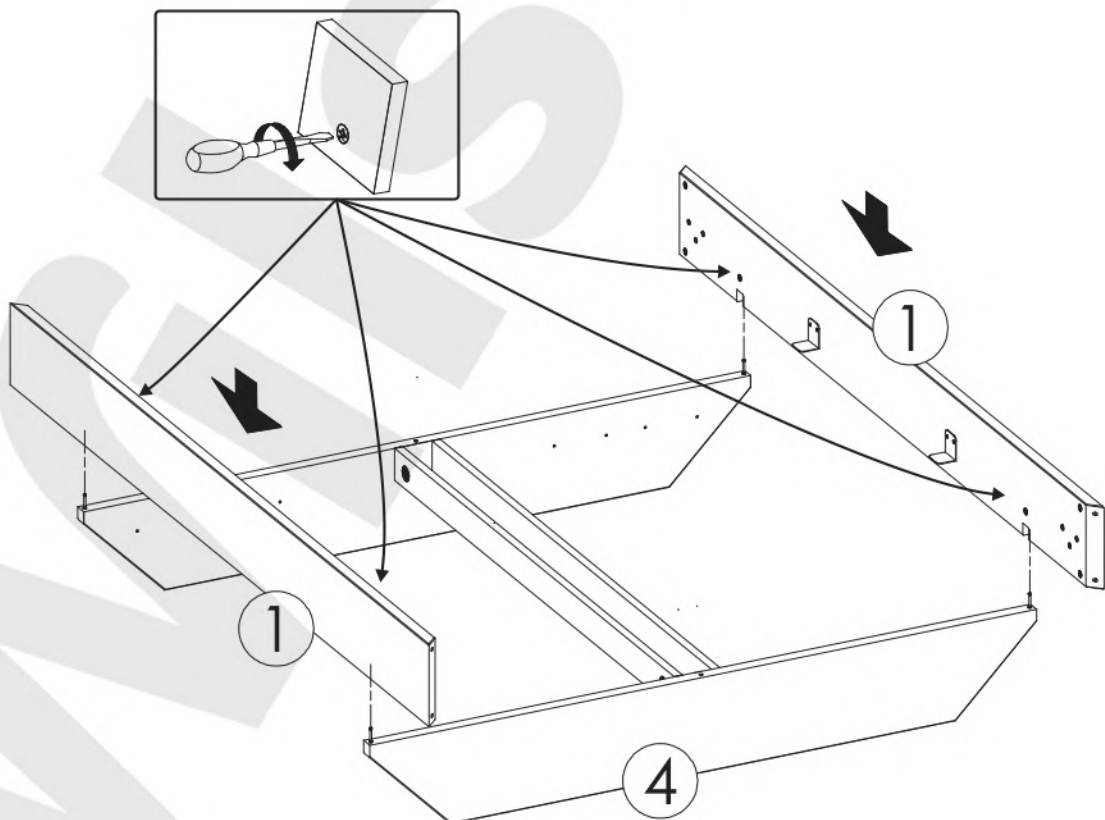




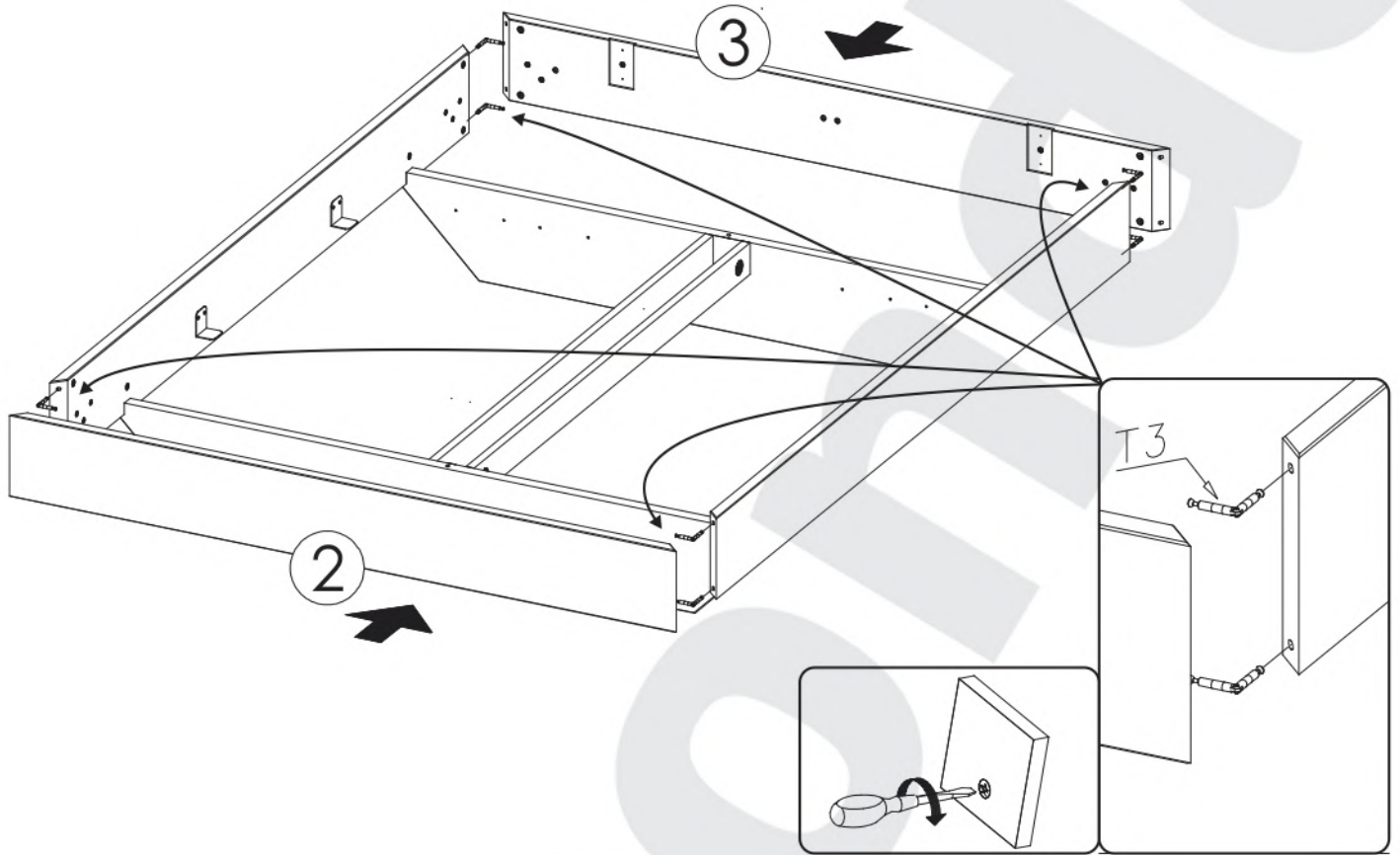
II



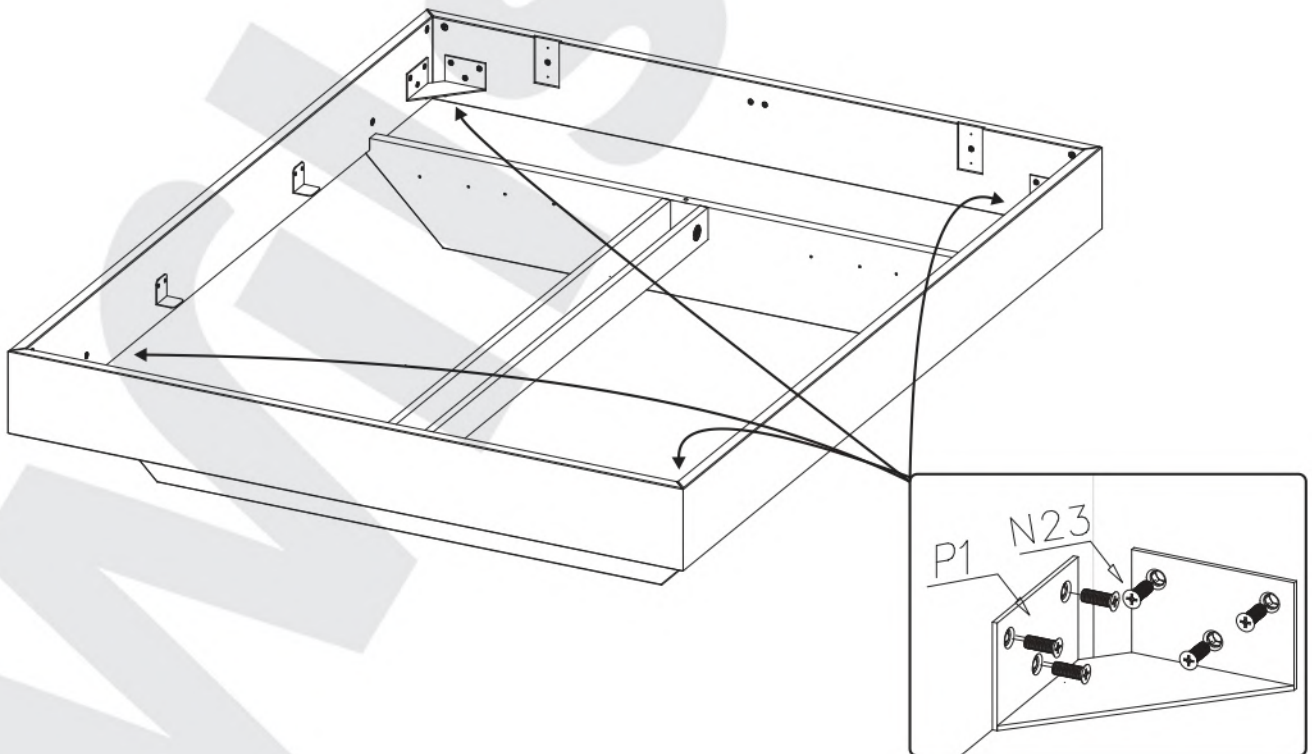
III



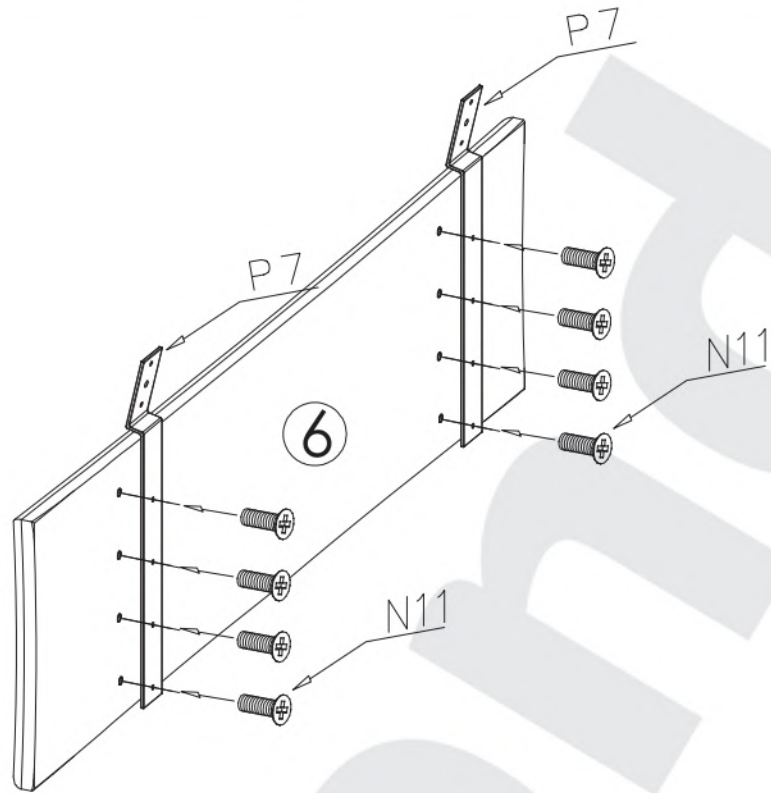
IV



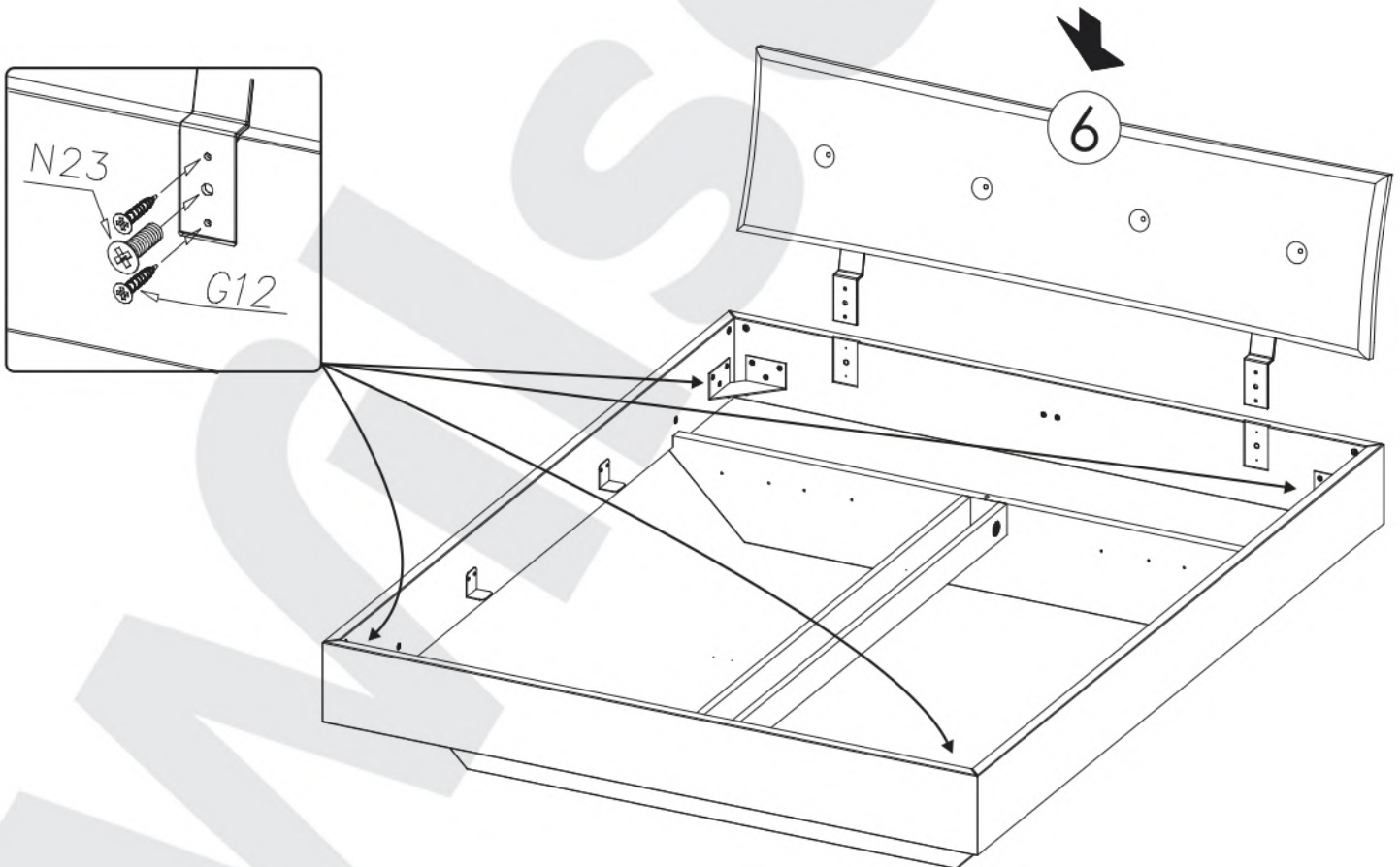
V



VI

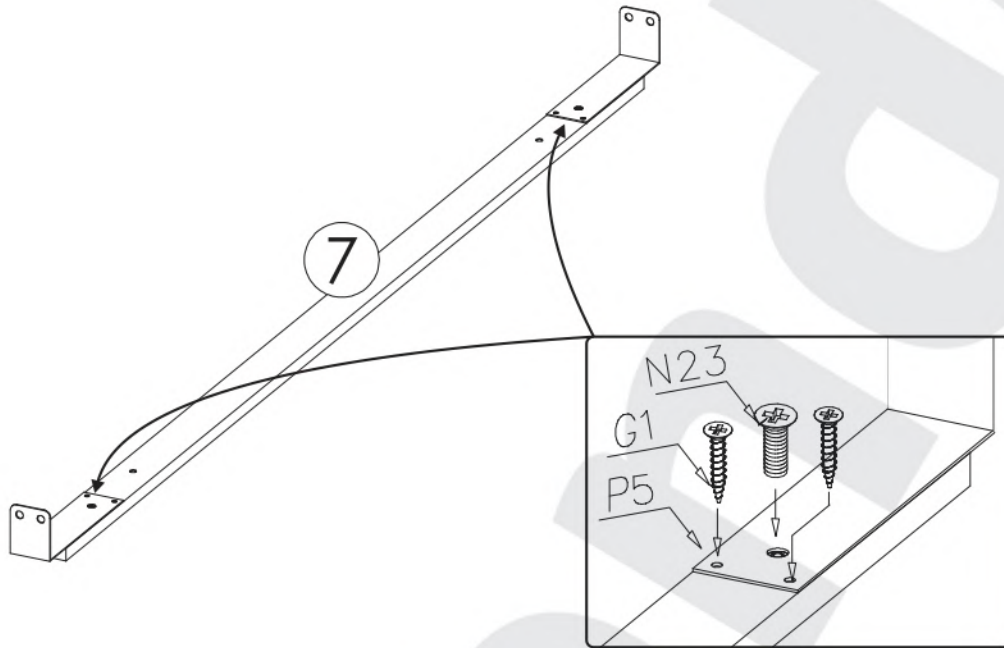


VII





## VIII



## IX

