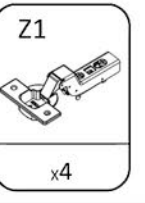
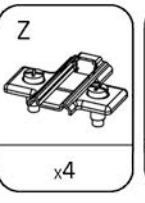
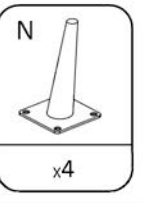
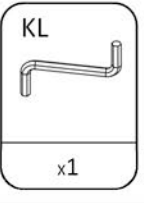
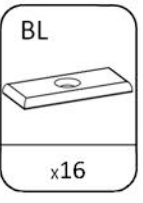
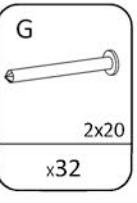
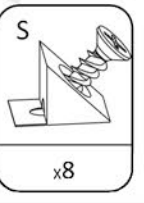
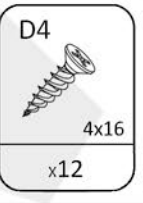
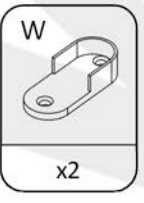
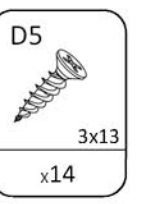
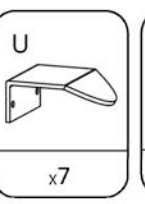
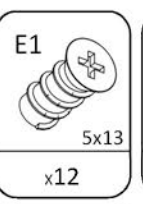
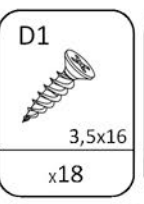
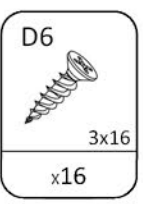
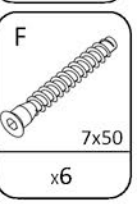
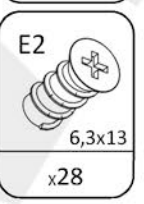
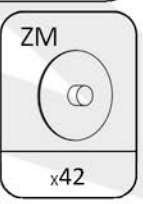
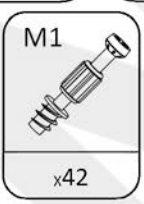
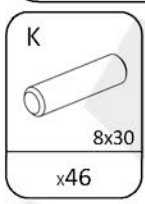
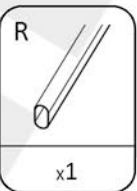
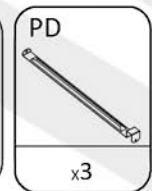
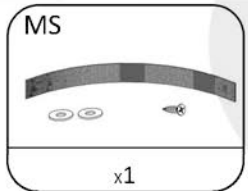
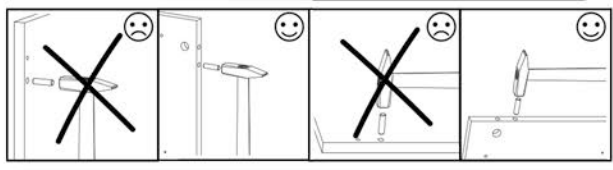
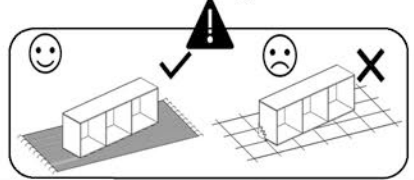
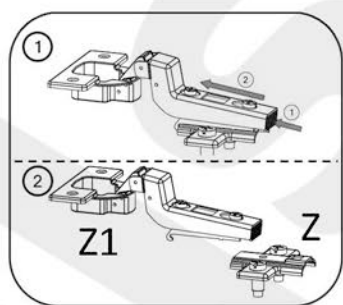
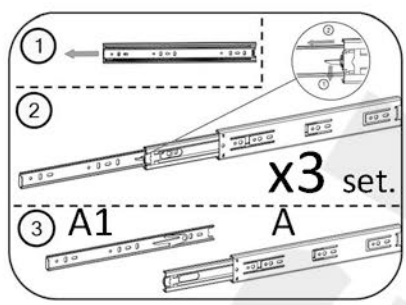
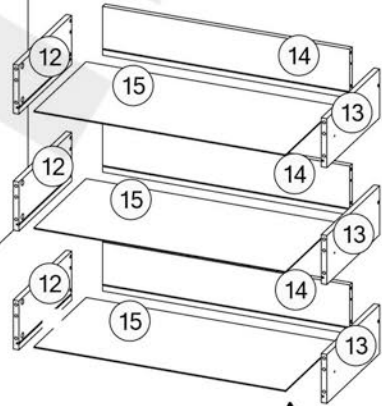
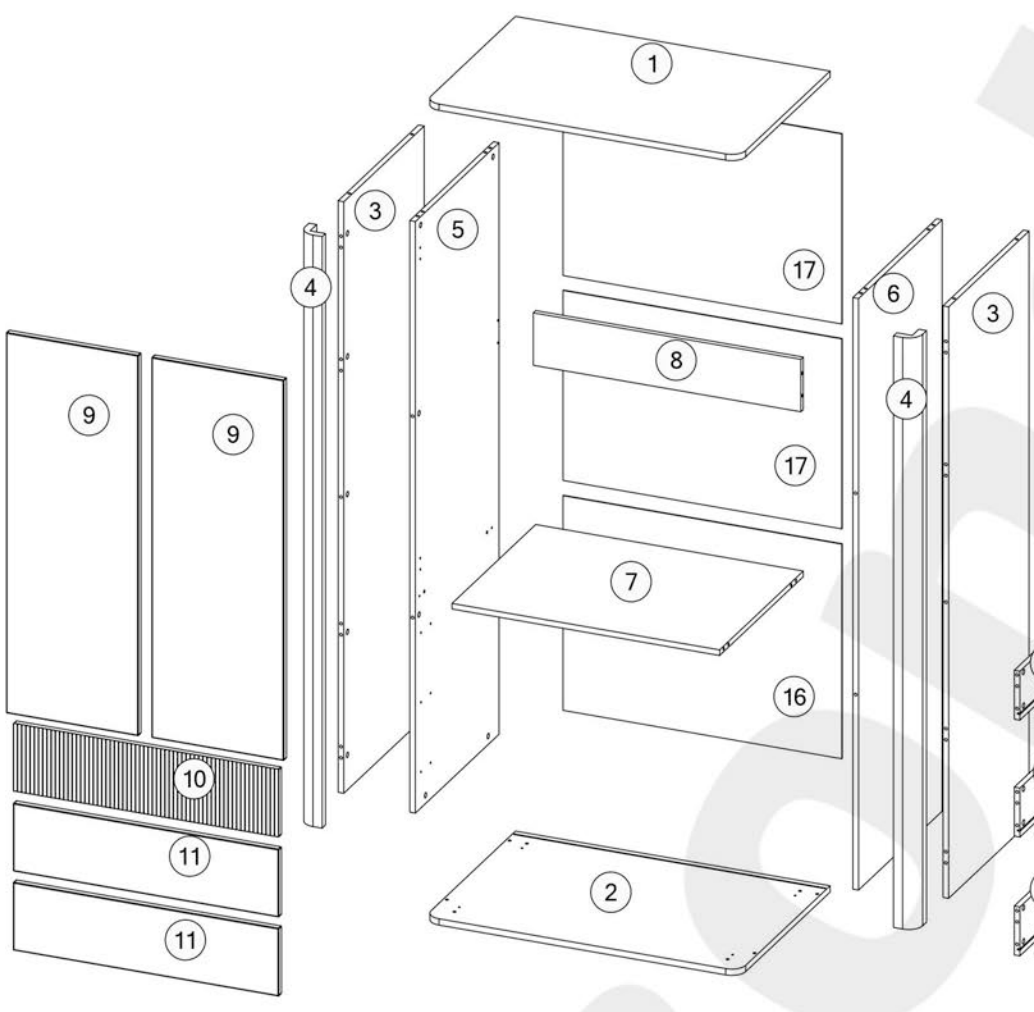
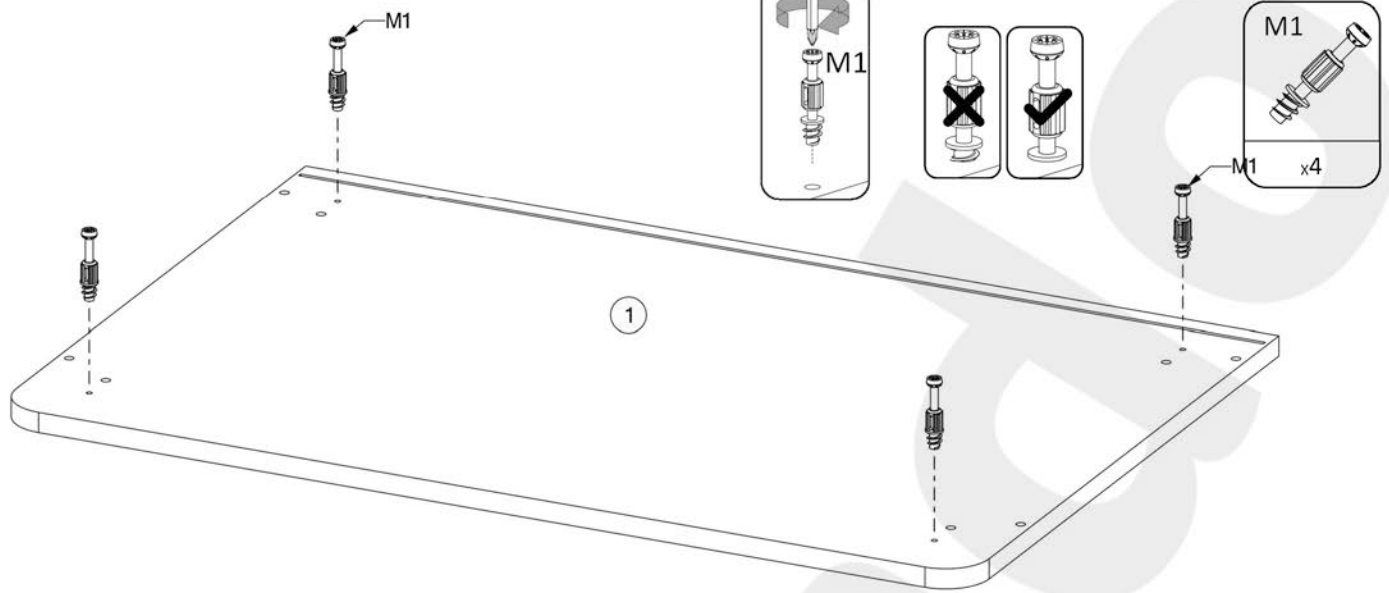


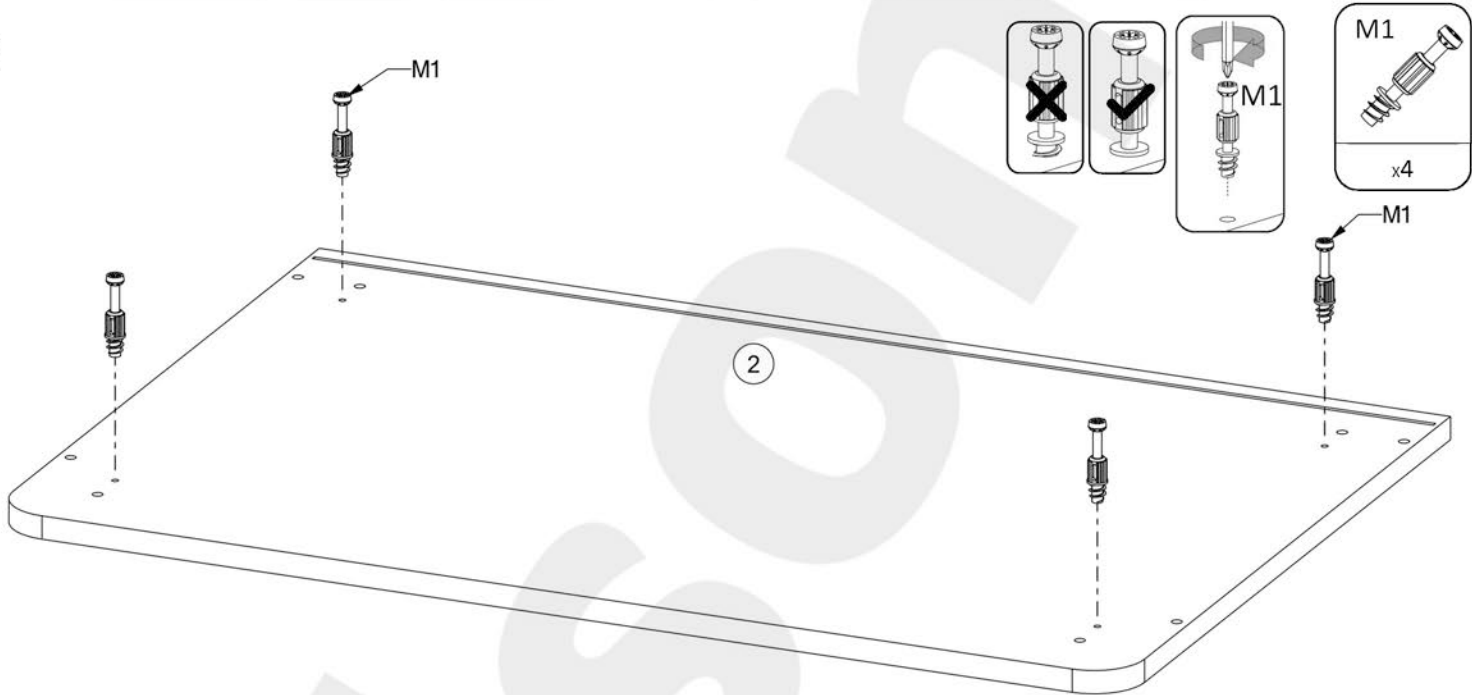
No	T(mm)	L(mm)	W(mm)	pcs.
1	18	896	600	1
1	18	896	600	1
3	16	1692	533	2
4	66	1692	66	2
5	16	1692	555	1
6	16	1692	555	1
7	16	762	555	1
8	16	762	150	1
9	18	1088	376	2
10	18	194	756	1
11	18	194	756	2
12	16	350	140	3
13	16	350	140	3
14	16	704	140	3
15	3	717	346	3
16	3	614	794	1
17	3	543,5	794	2



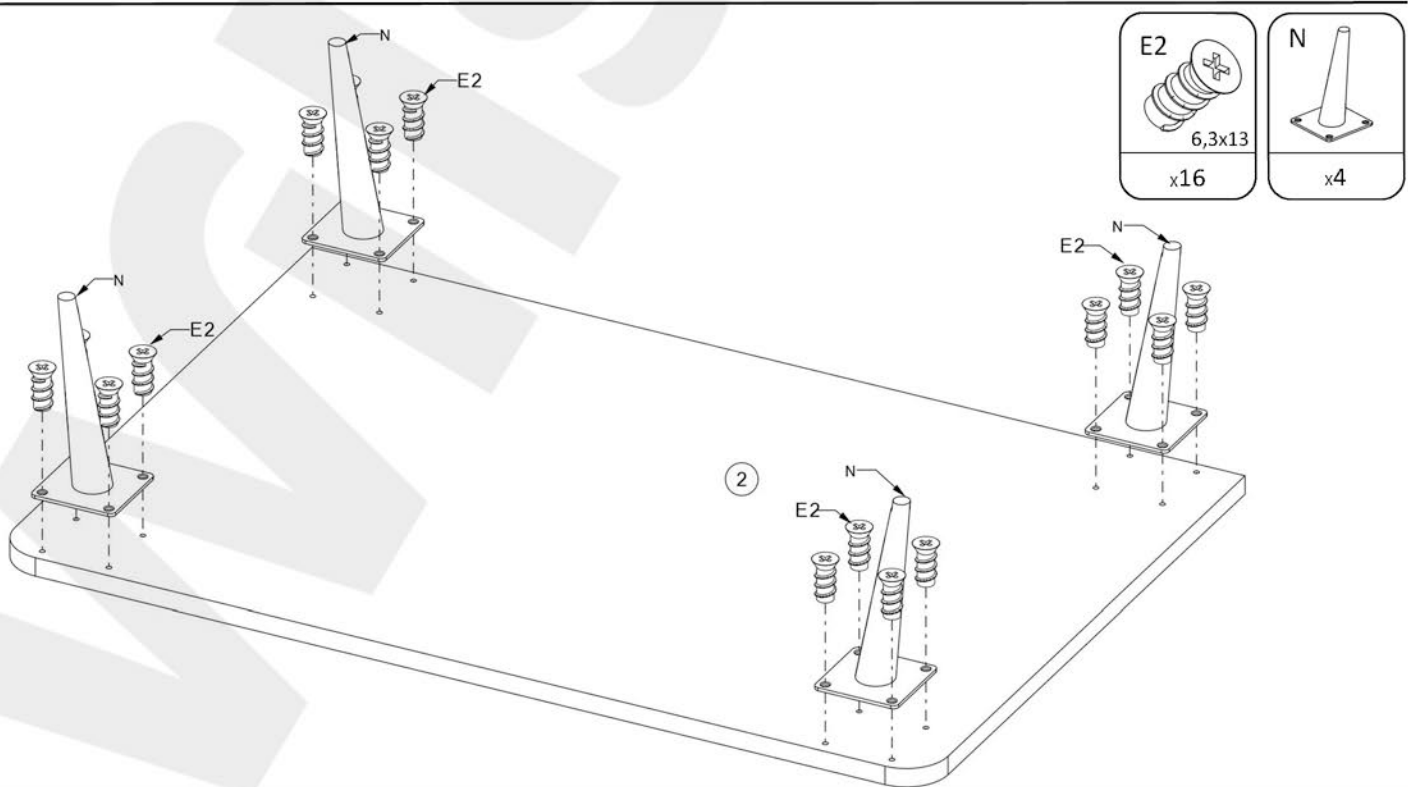
1



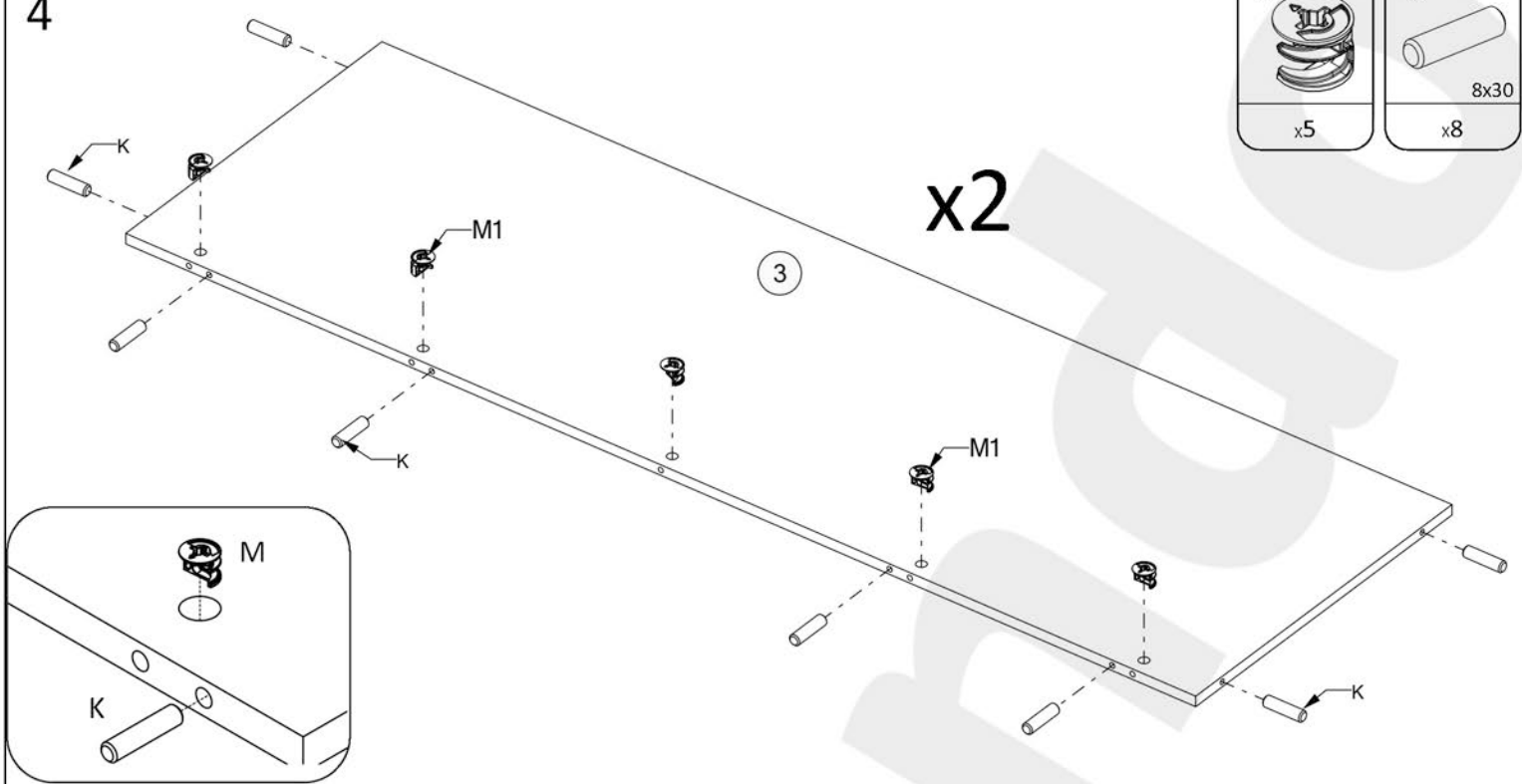
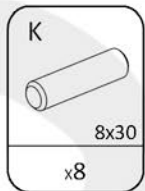
2



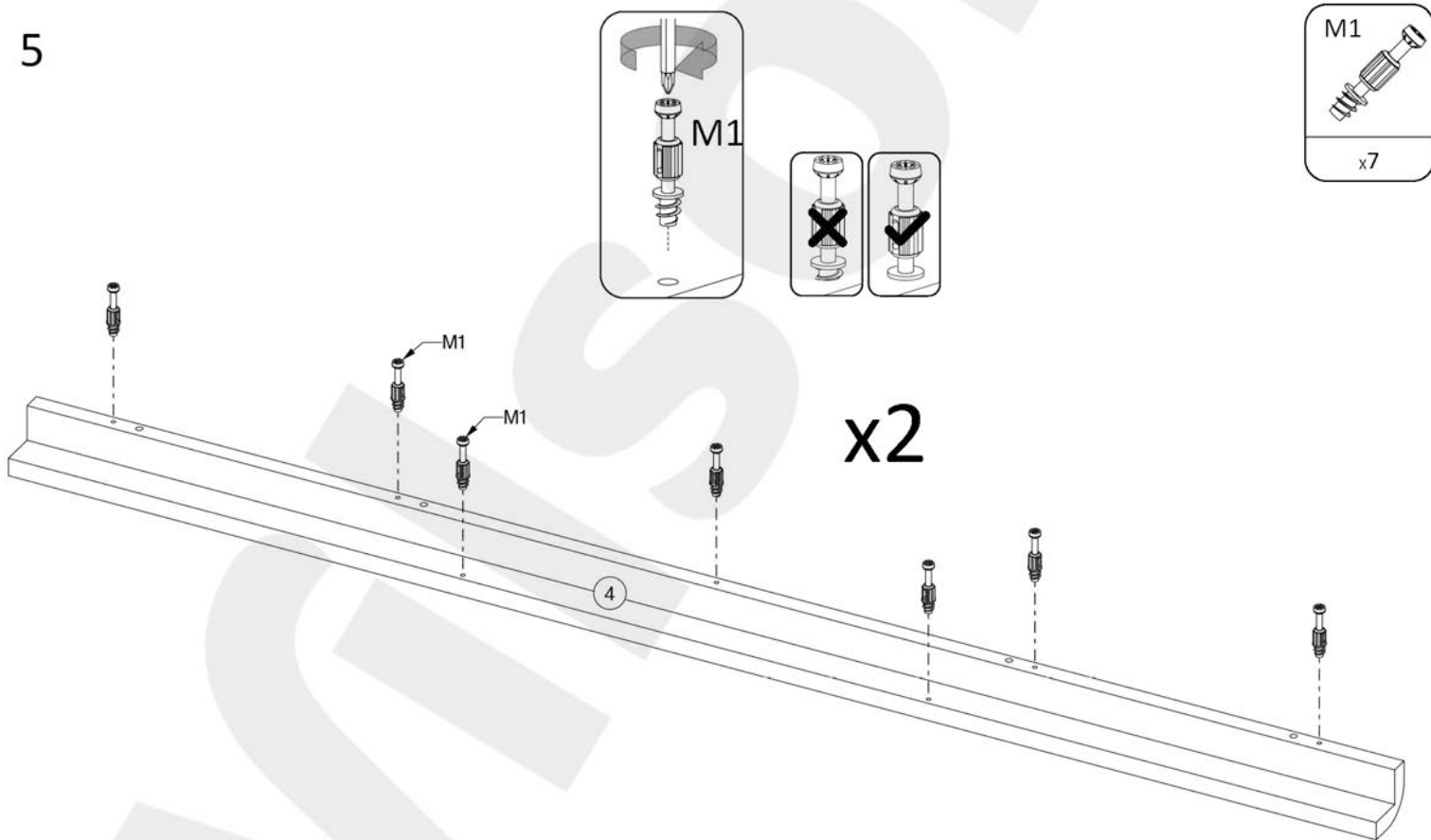
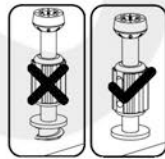
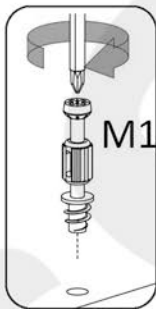
3



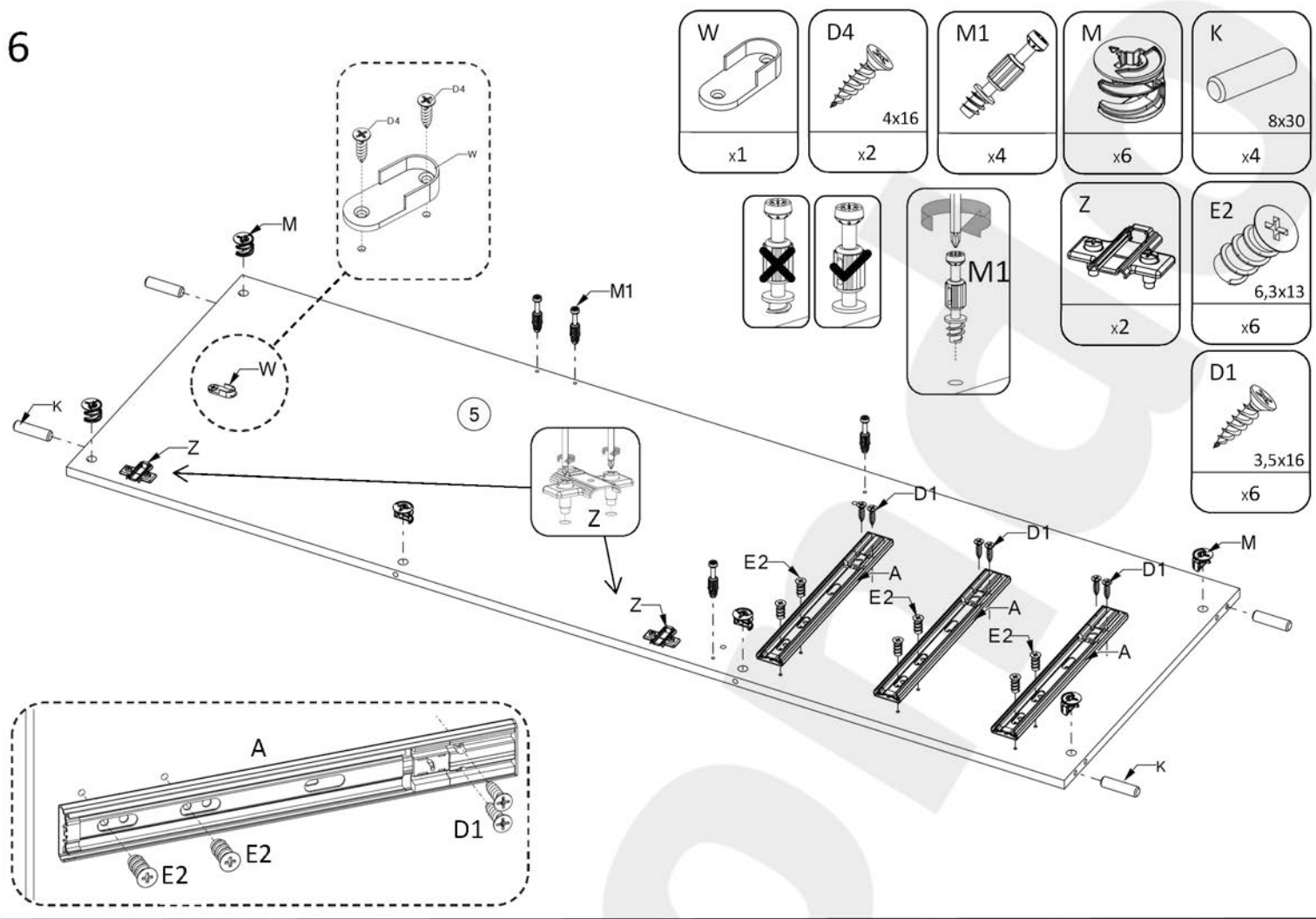
4



5

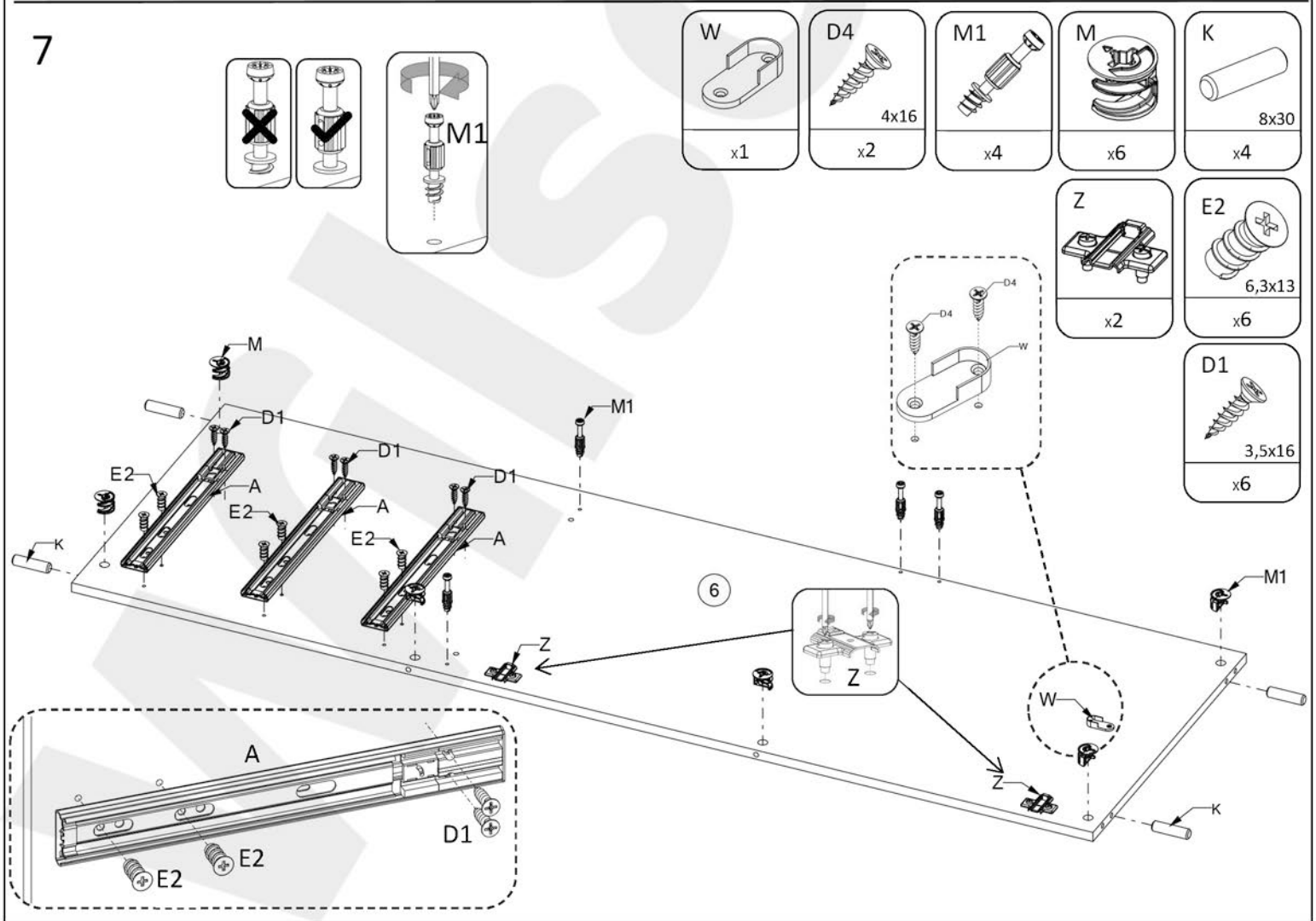


6



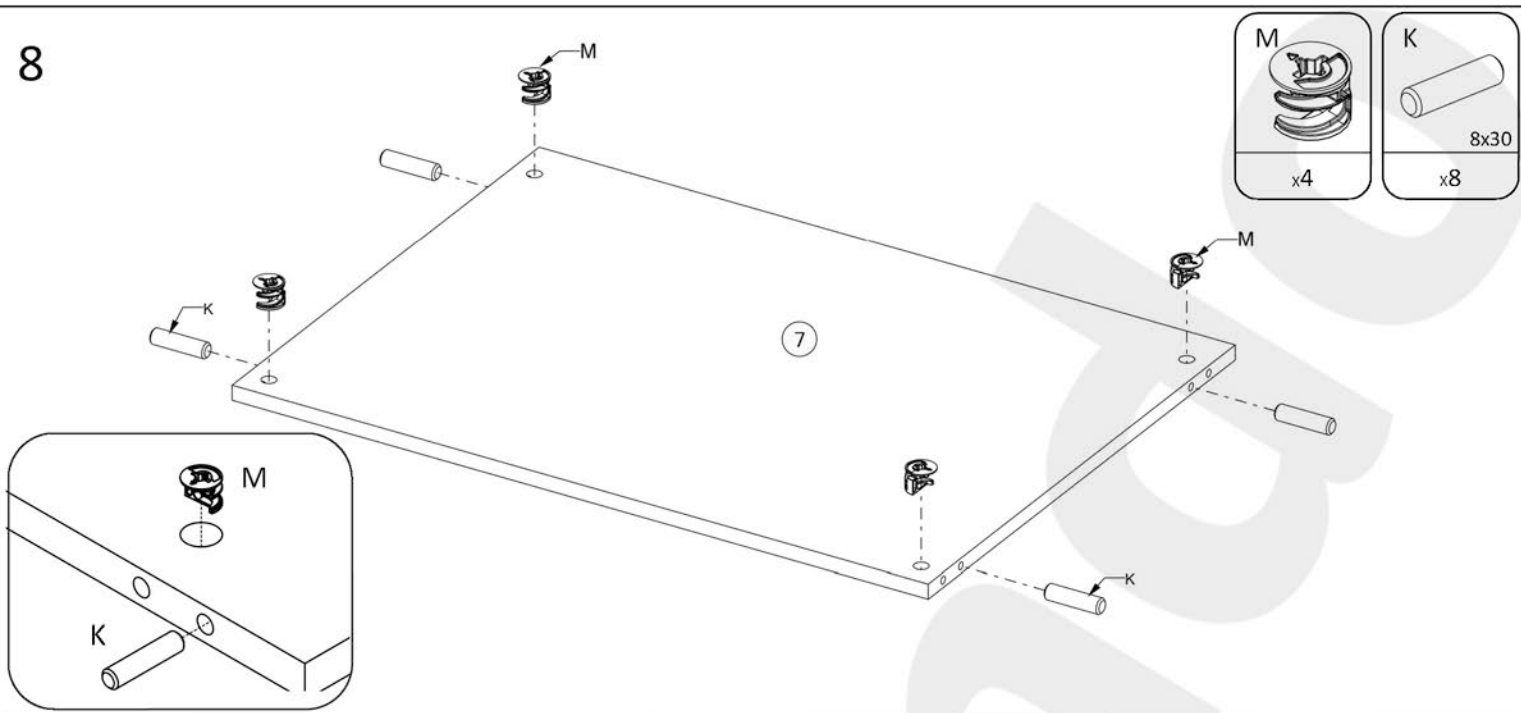
- | | | | | |
|---------|------------------|----------|--------------------|--------------------|
| W
x1 | D4
4x16
x2 | M1
x4 | M
x6 | K
8x30
x4 |
| | | | Z
x2 | E2
6,3x13
x6 |
| | | | D1
3,5x16
x6 | |

7

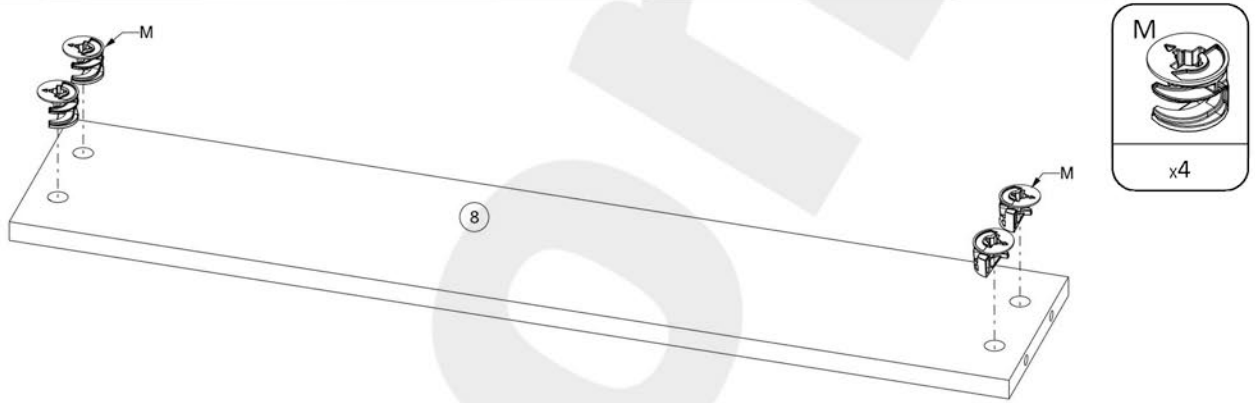


- | | | | | |
|---------|------------------|----------|--------------------|--------------------|
| W
x1 | D4
4x16
x2 | M1
x4 | M
x6 | K
8x30
x4 |
| | | | Z
x2 | E2
6,3x13
x6 |
| | | | D1
3,5x16
x6 | |

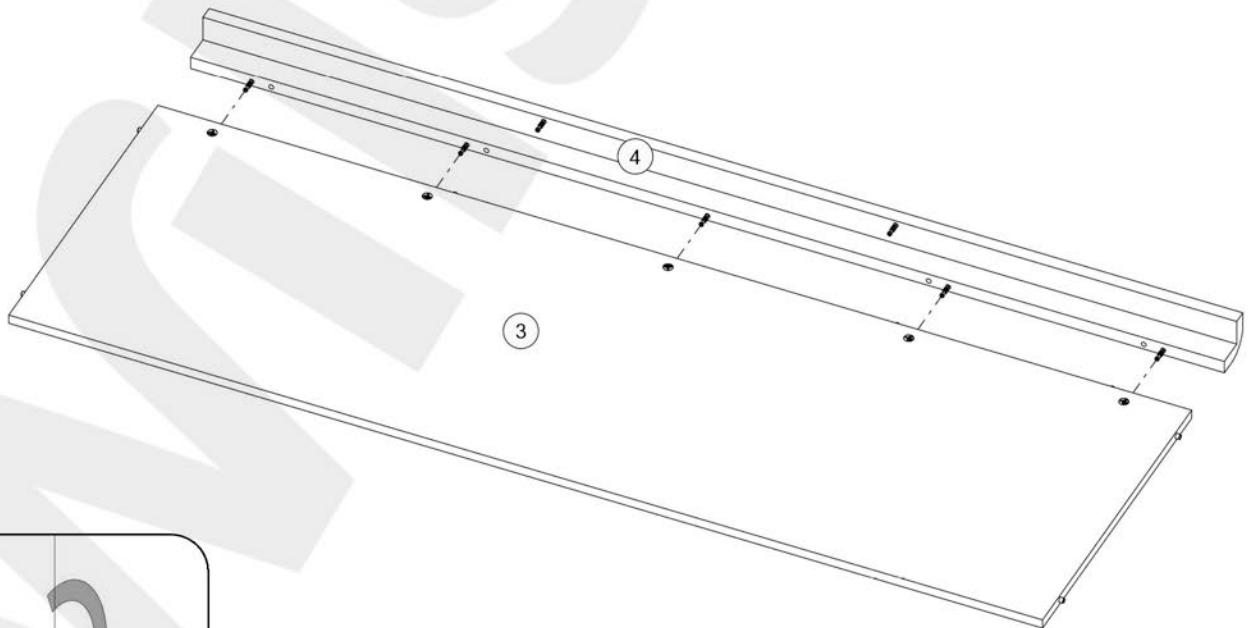
8



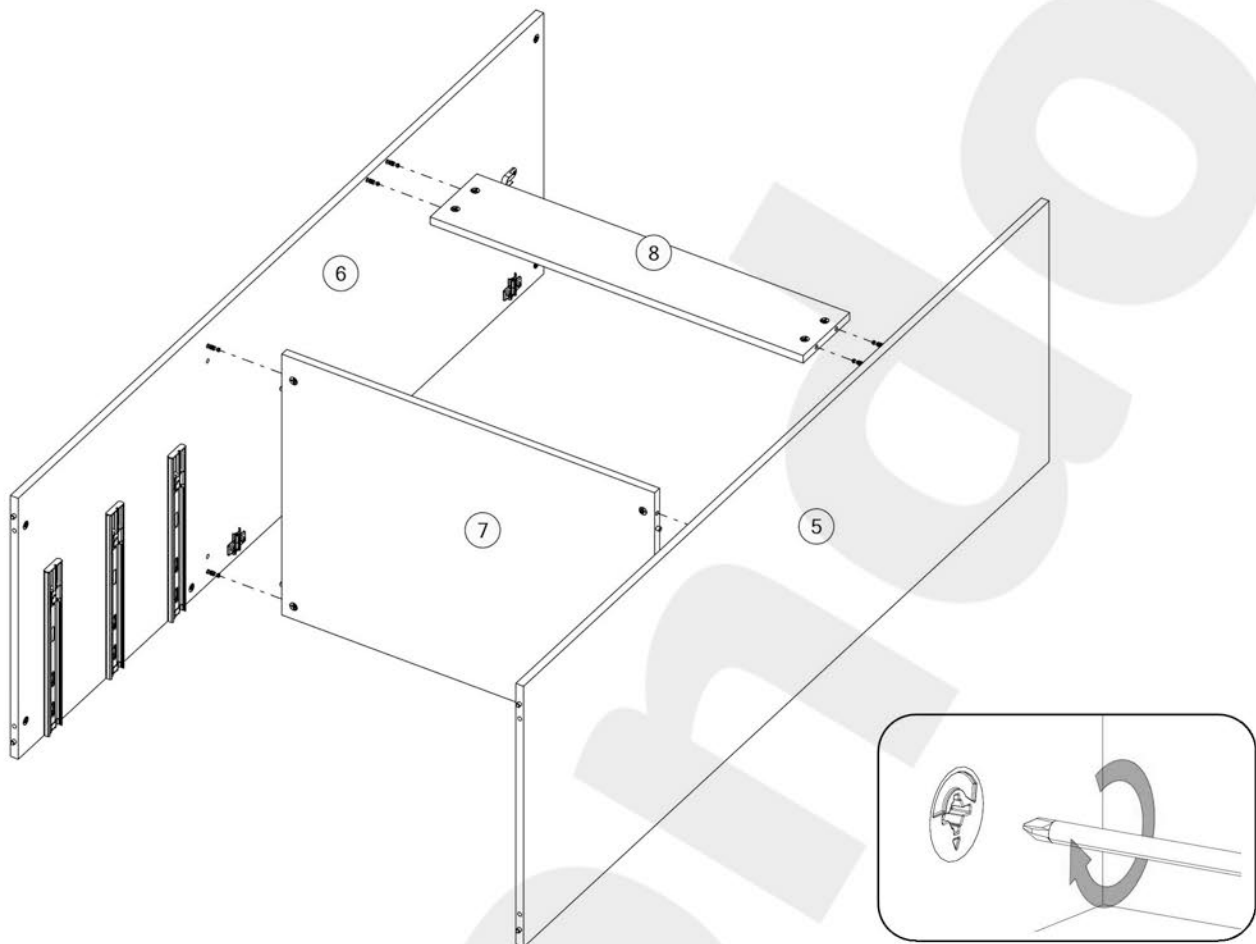
9



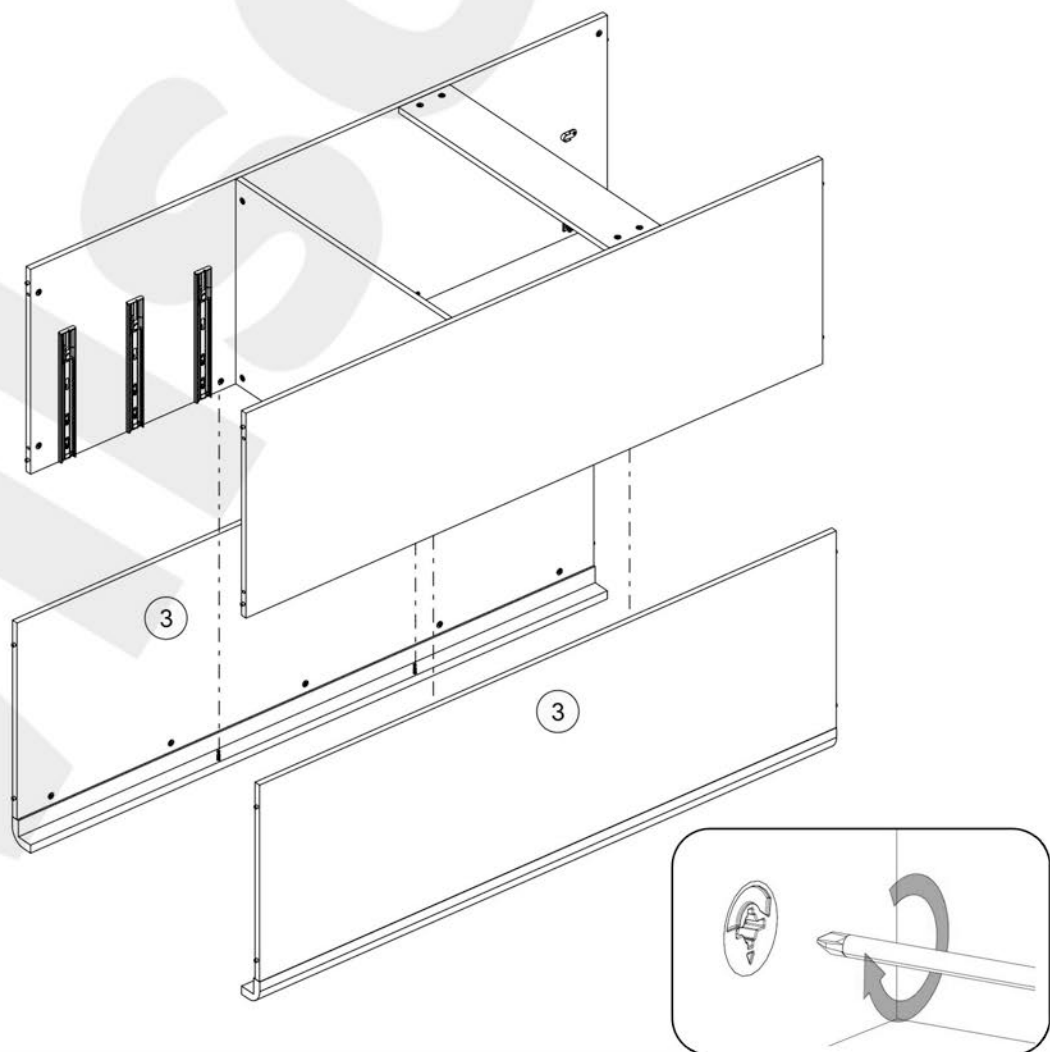
10



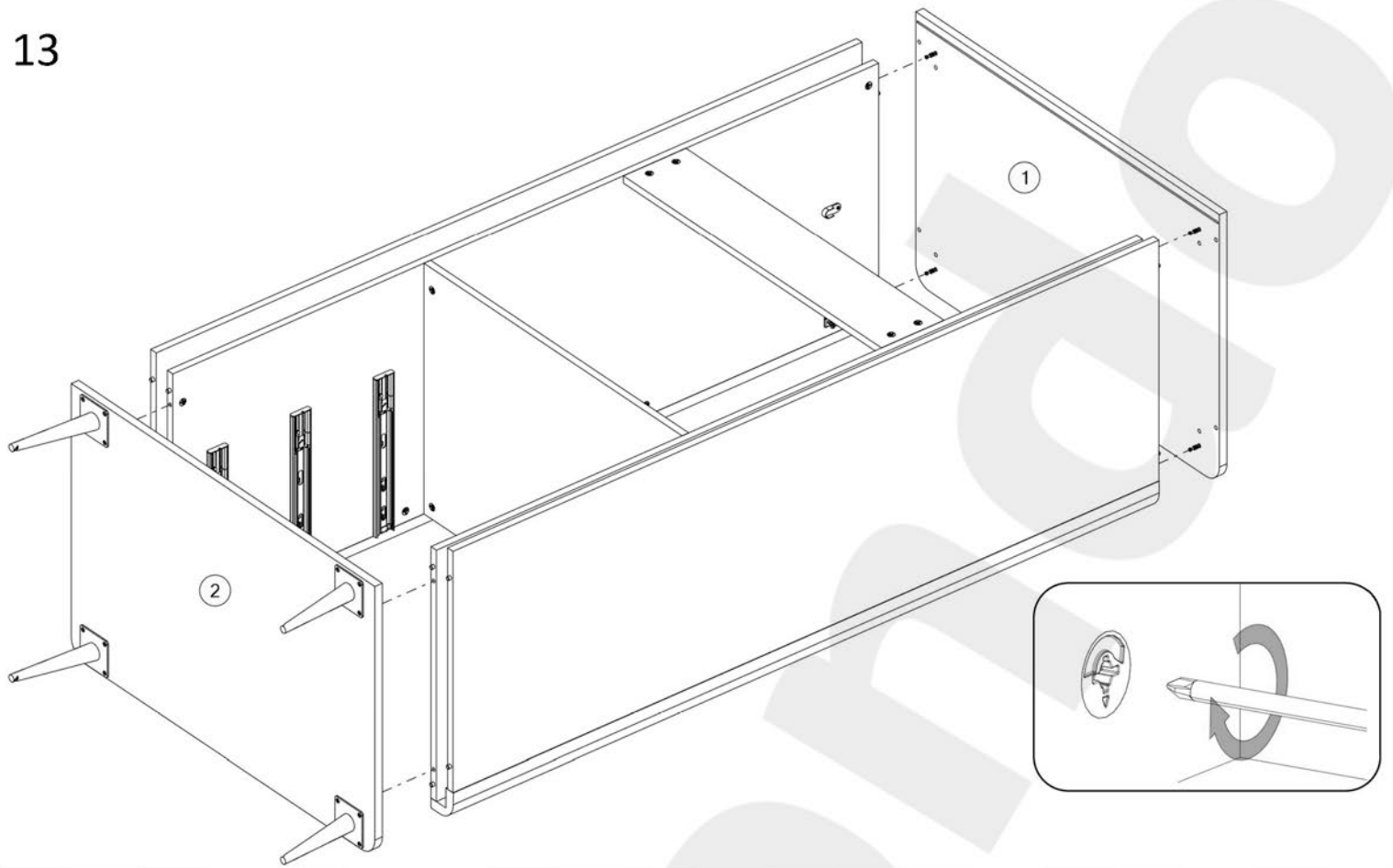
11



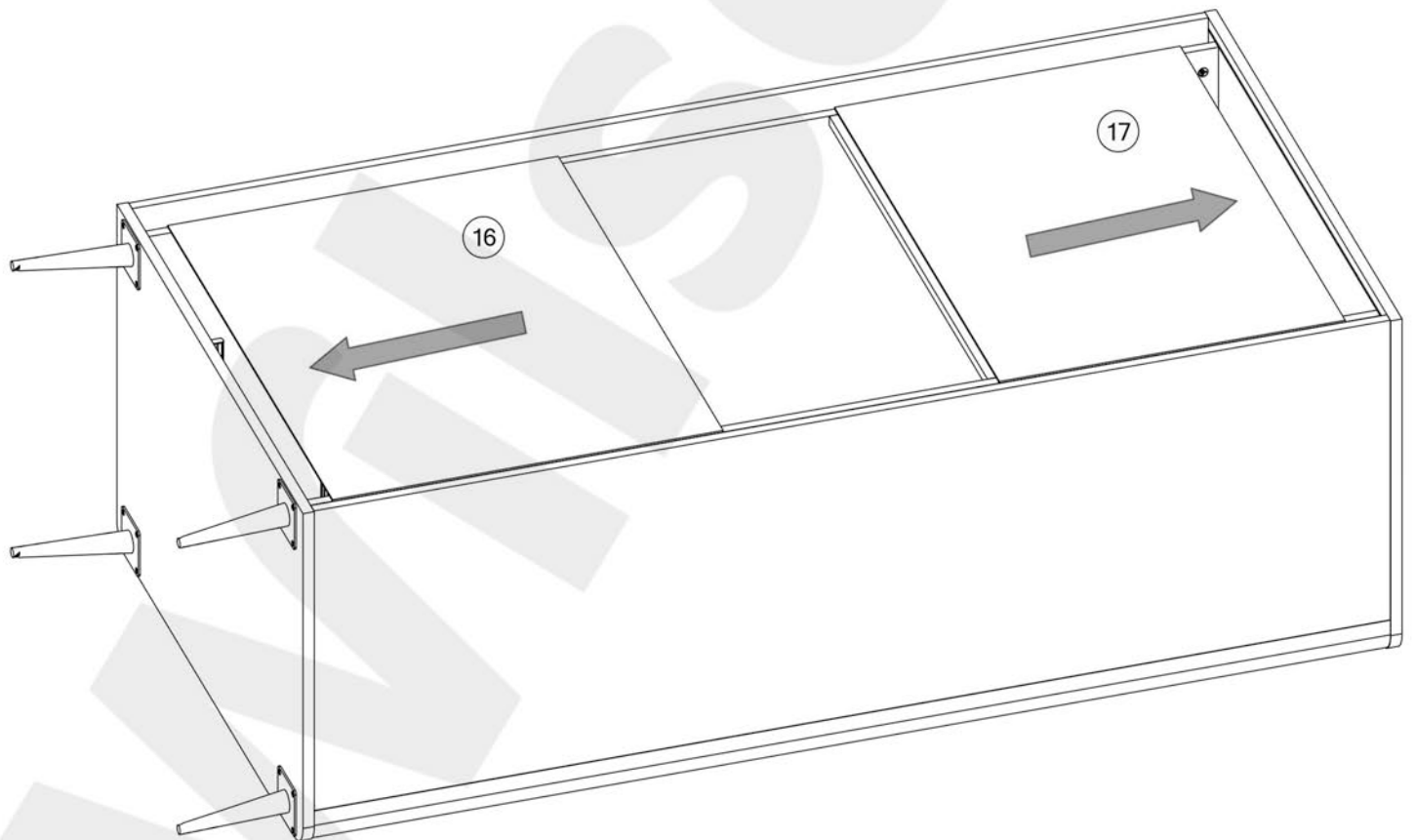
12



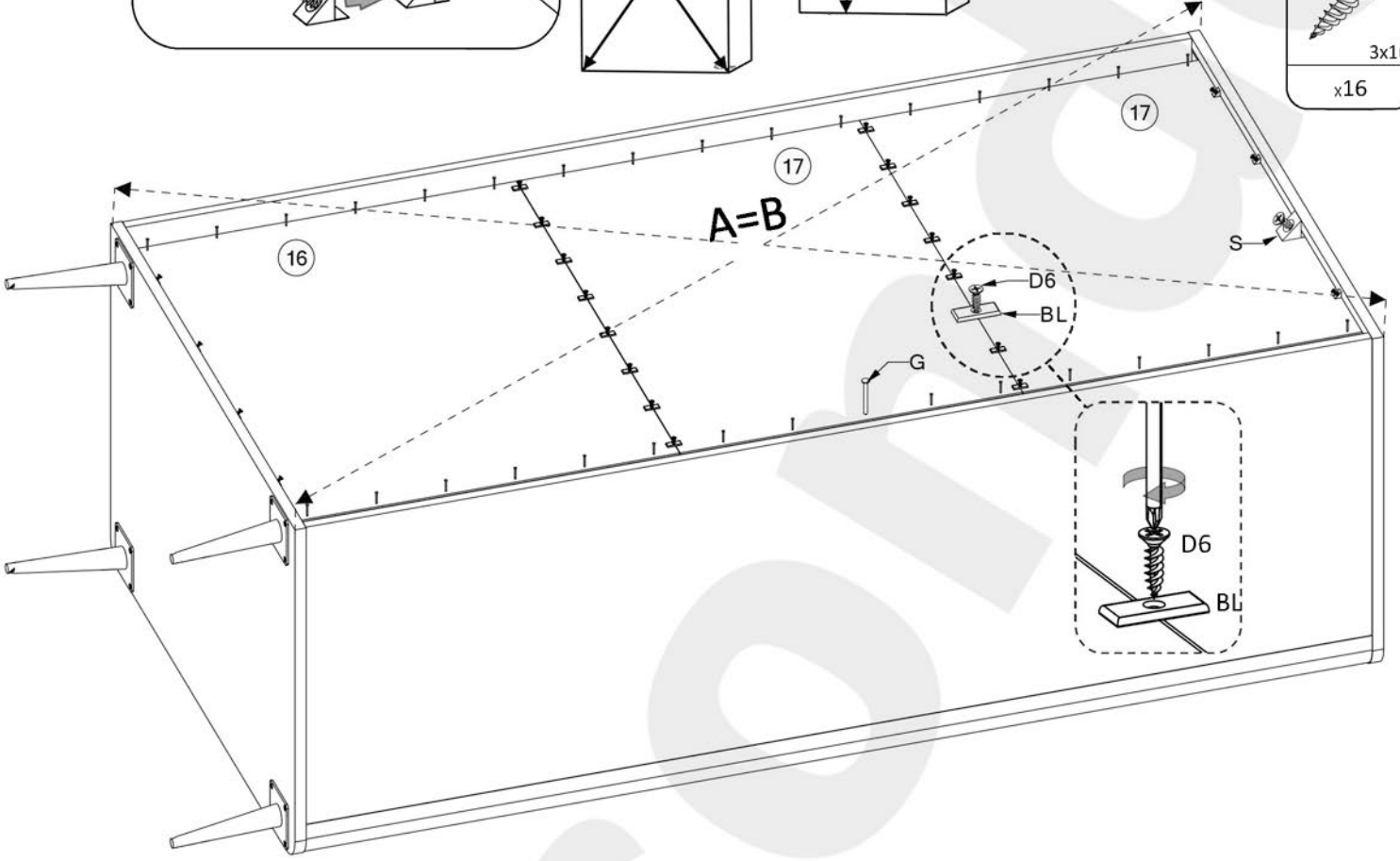
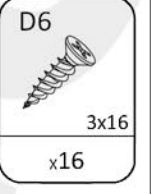
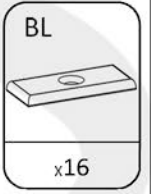
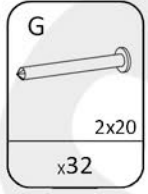
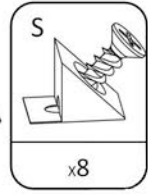
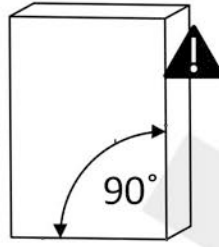
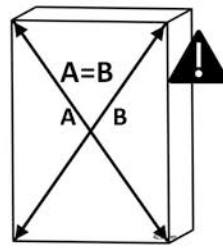
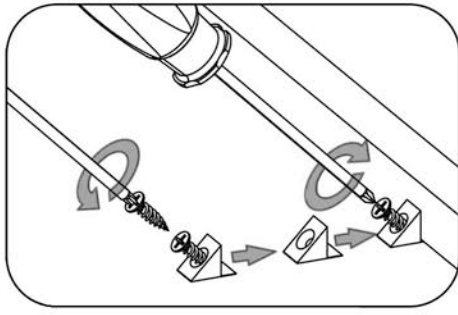
13



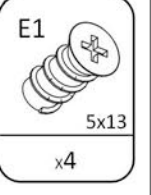
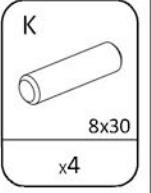
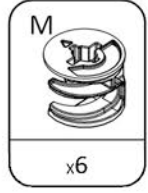
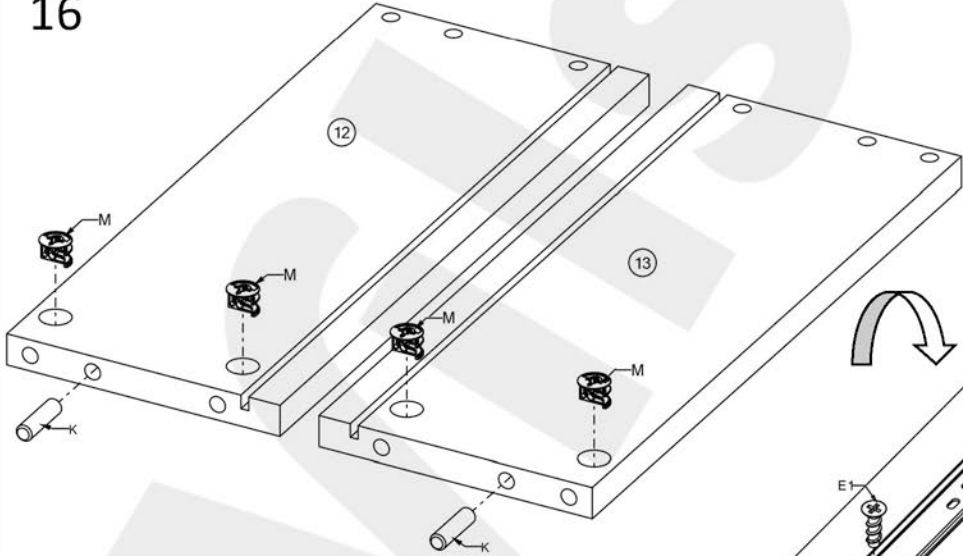
14



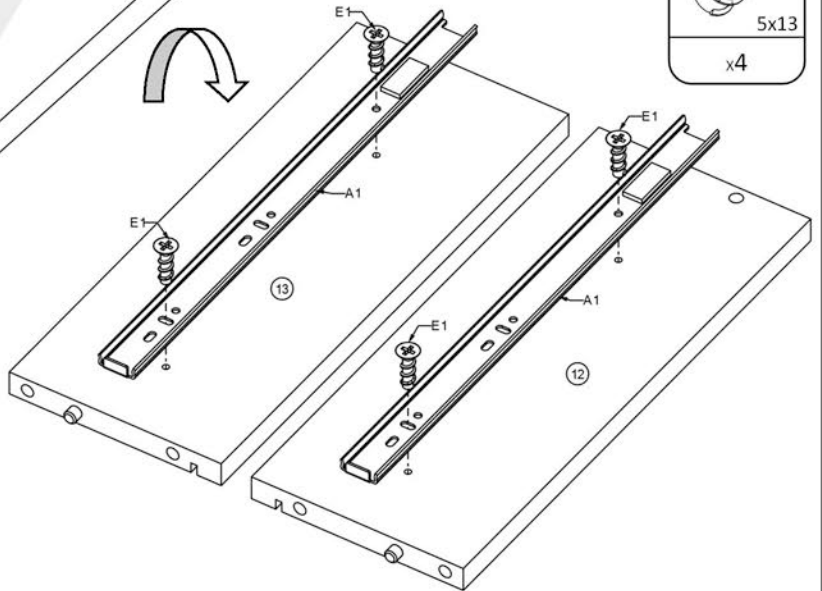
15



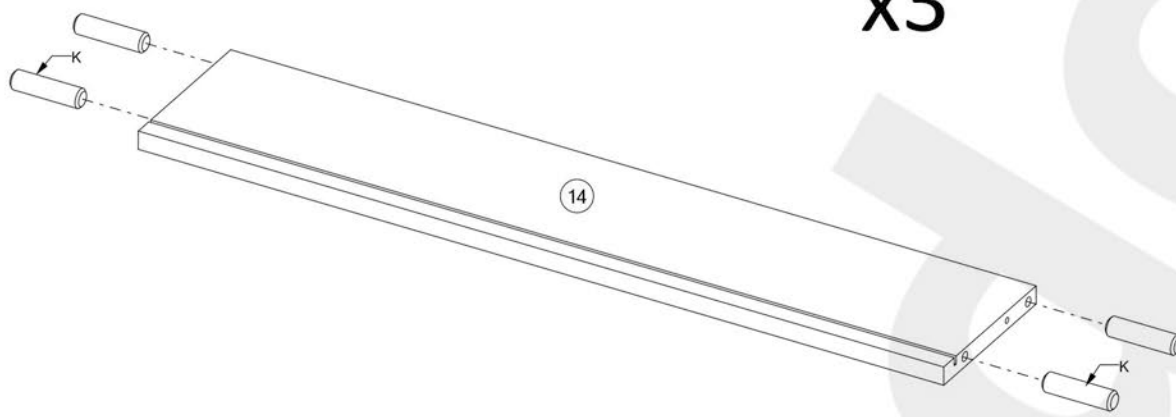
16




x3



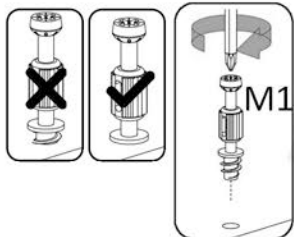
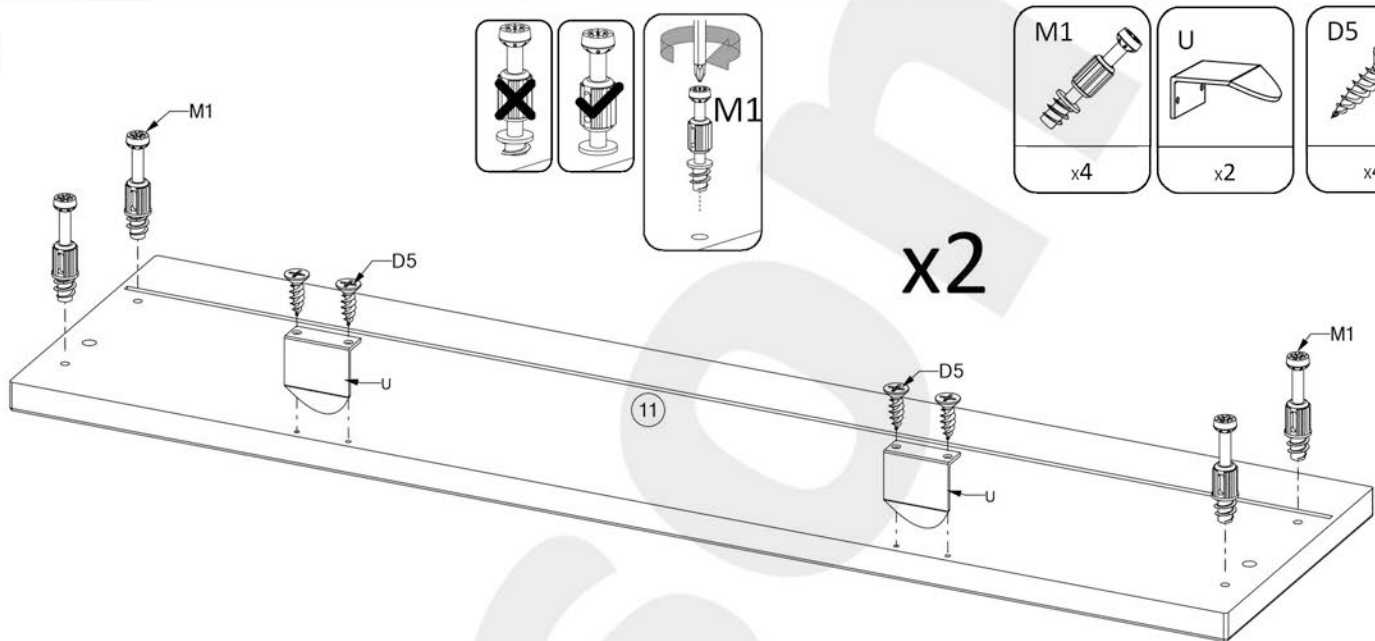
17




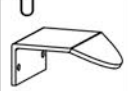
K

8x30
x4


x3

18



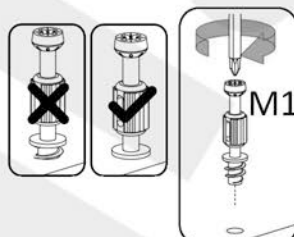
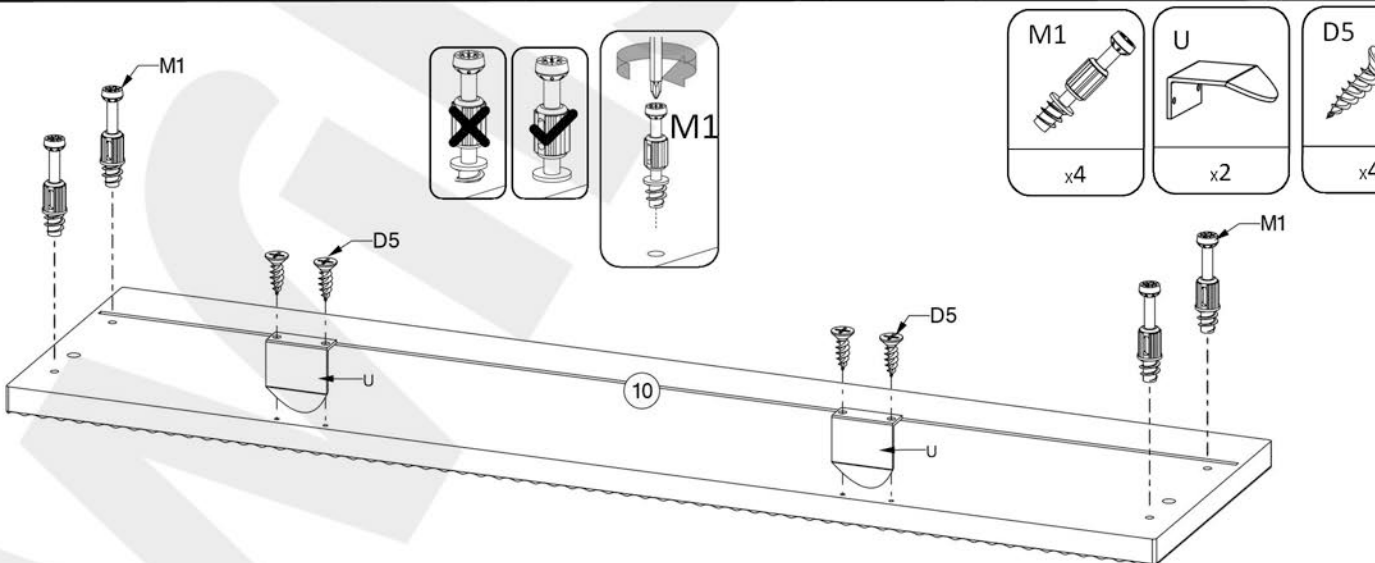
M1

x4


U

x2

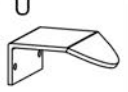
D5

3x13
x4


x2

19

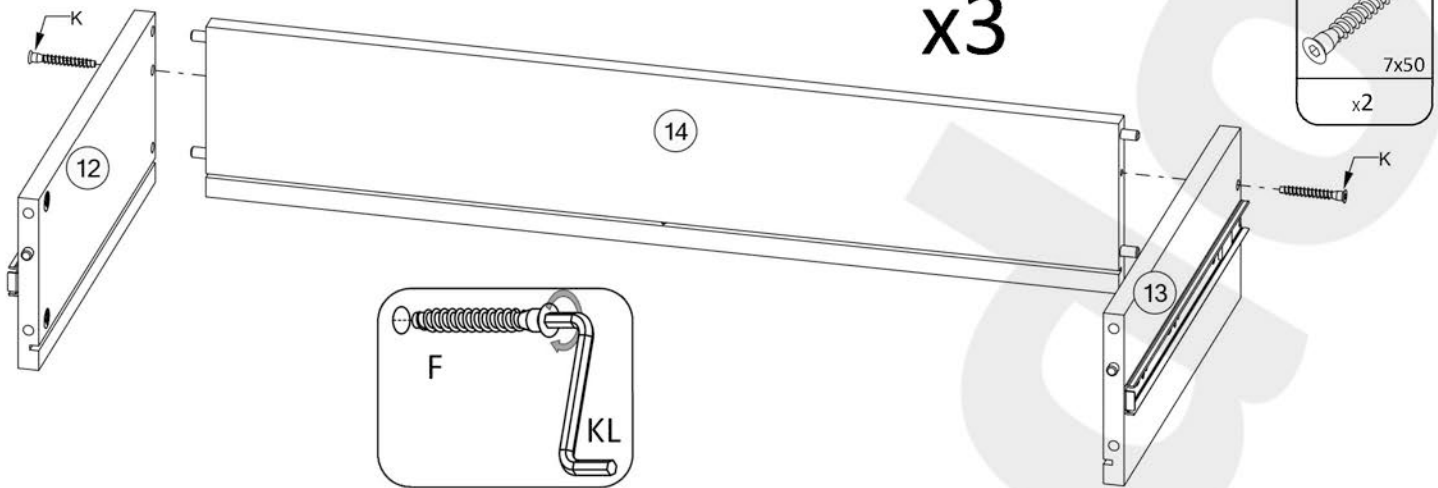


M1

x4

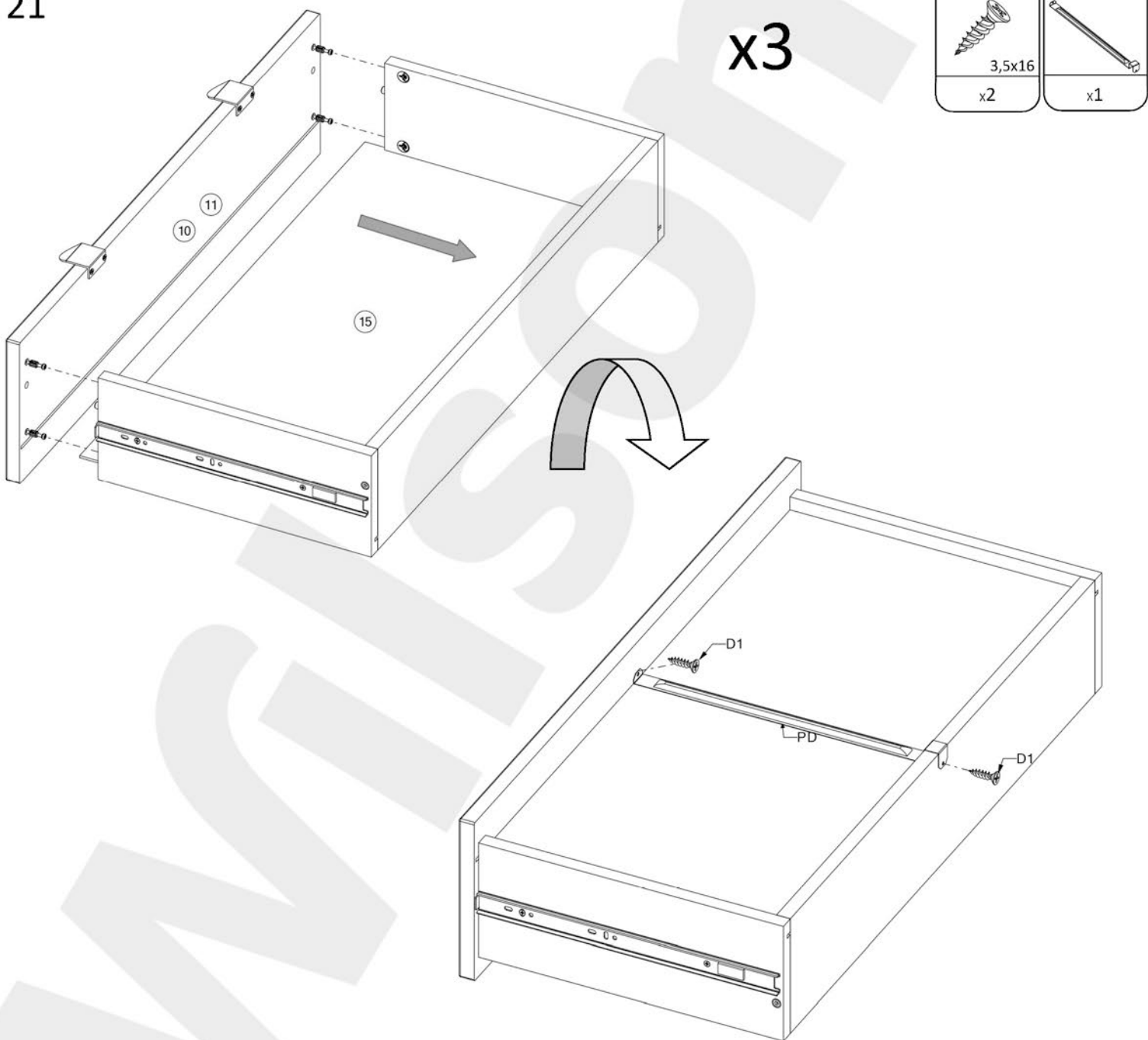
U

x2

D5

3x13
x4

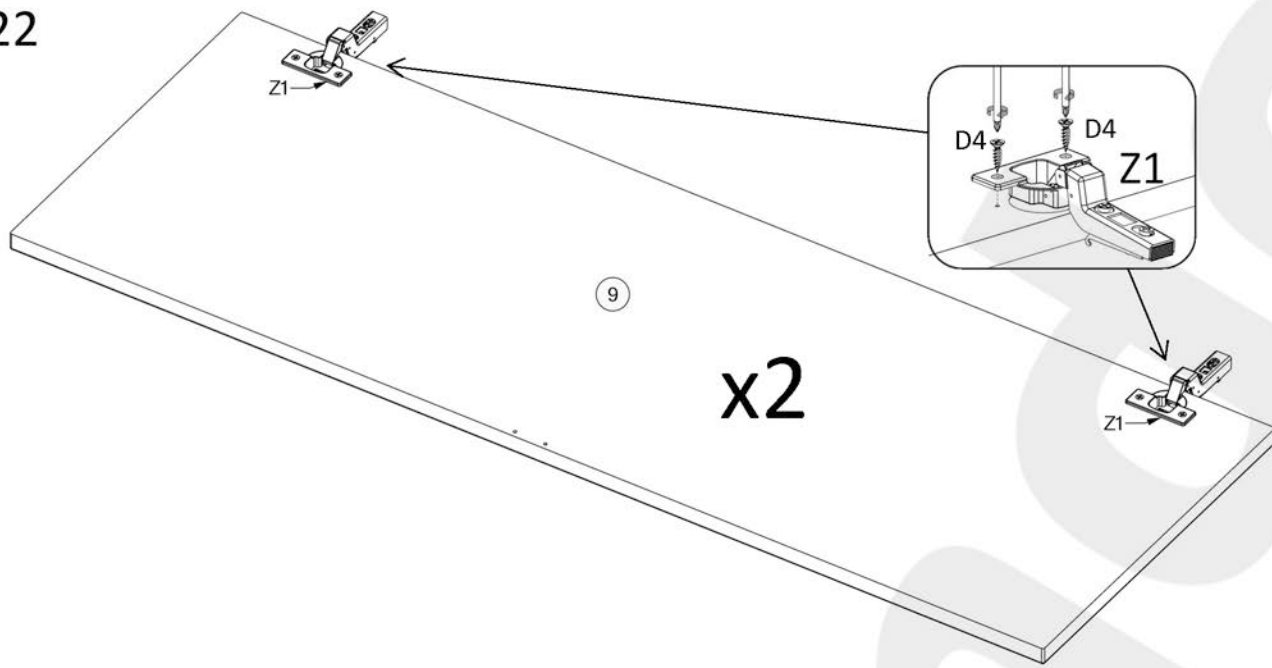
20



21

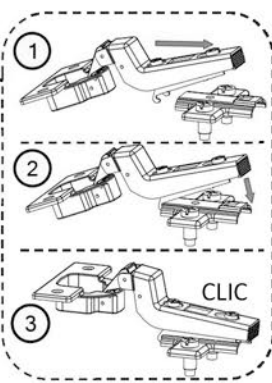
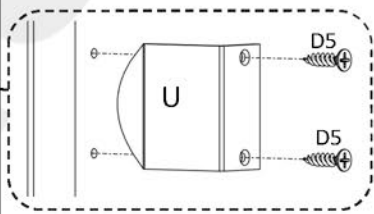
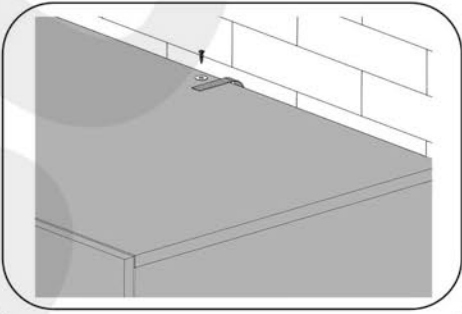
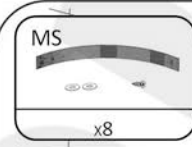
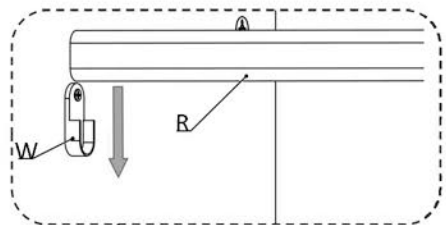
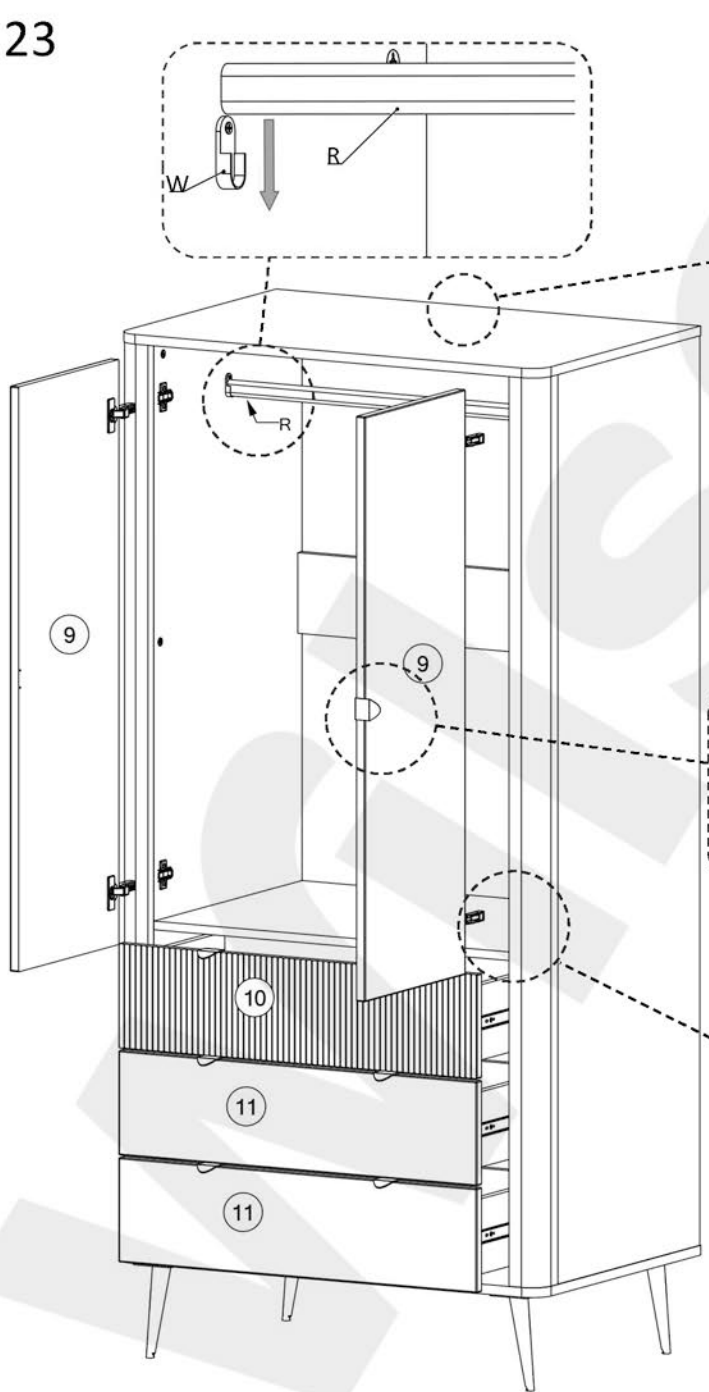


22



- Z1
x2
- D4
4x16
x4

23



- R
x1
- D5
3x13
x2
- U
x1

