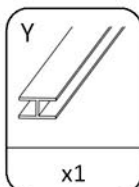
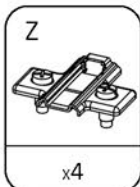
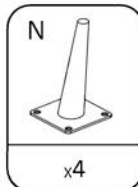
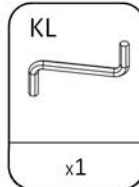
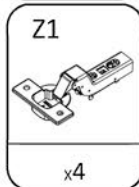
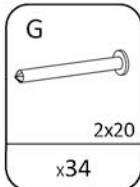
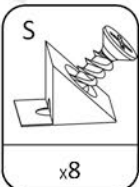
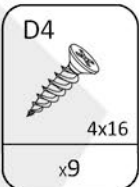
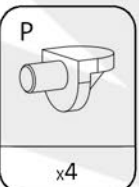
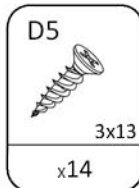
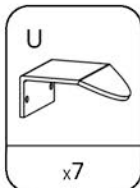
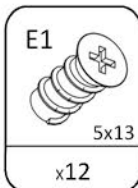
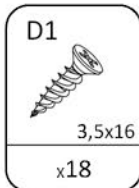
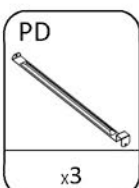
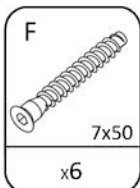
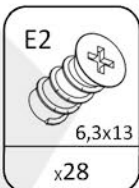
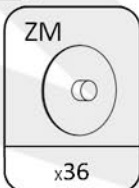
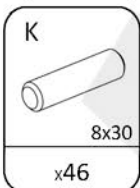
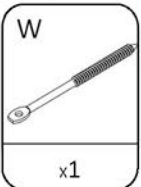
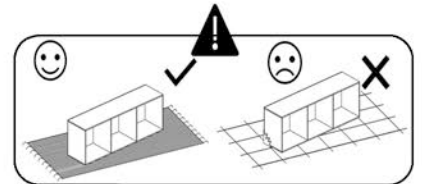
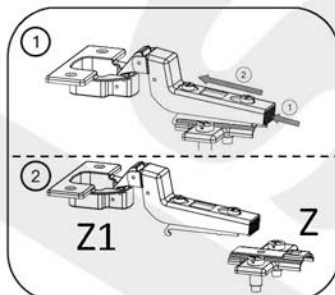
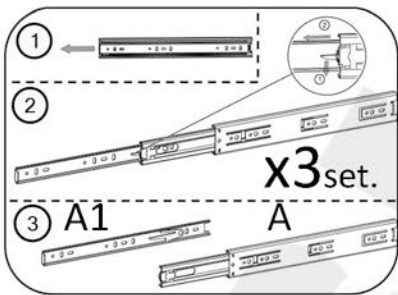
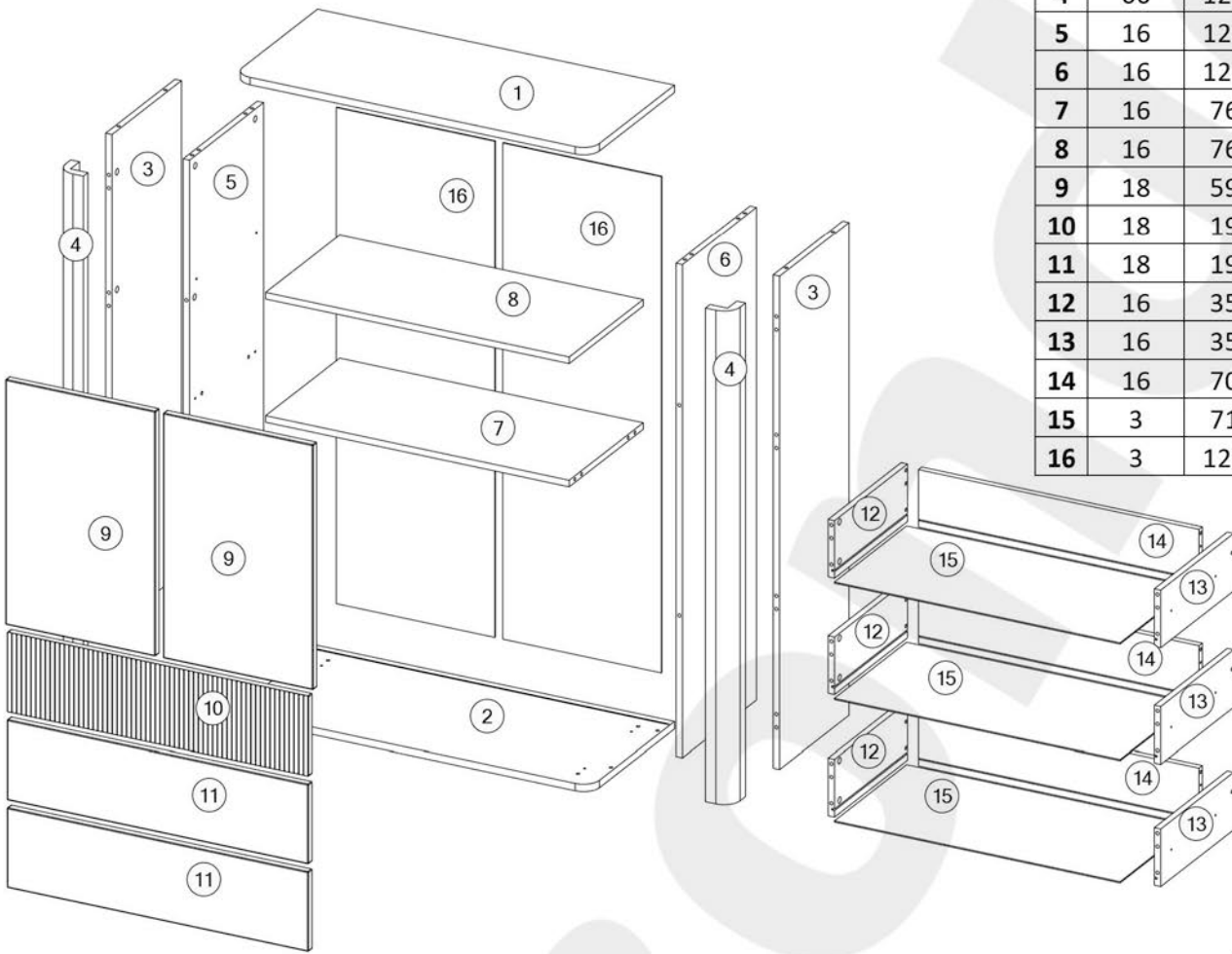
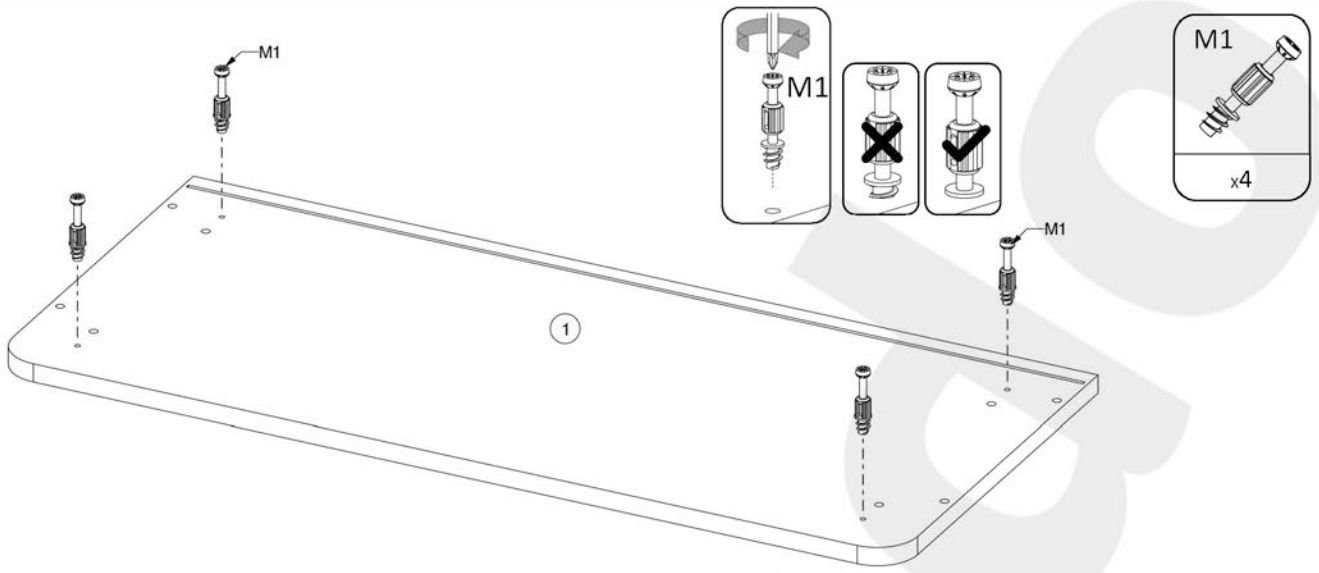


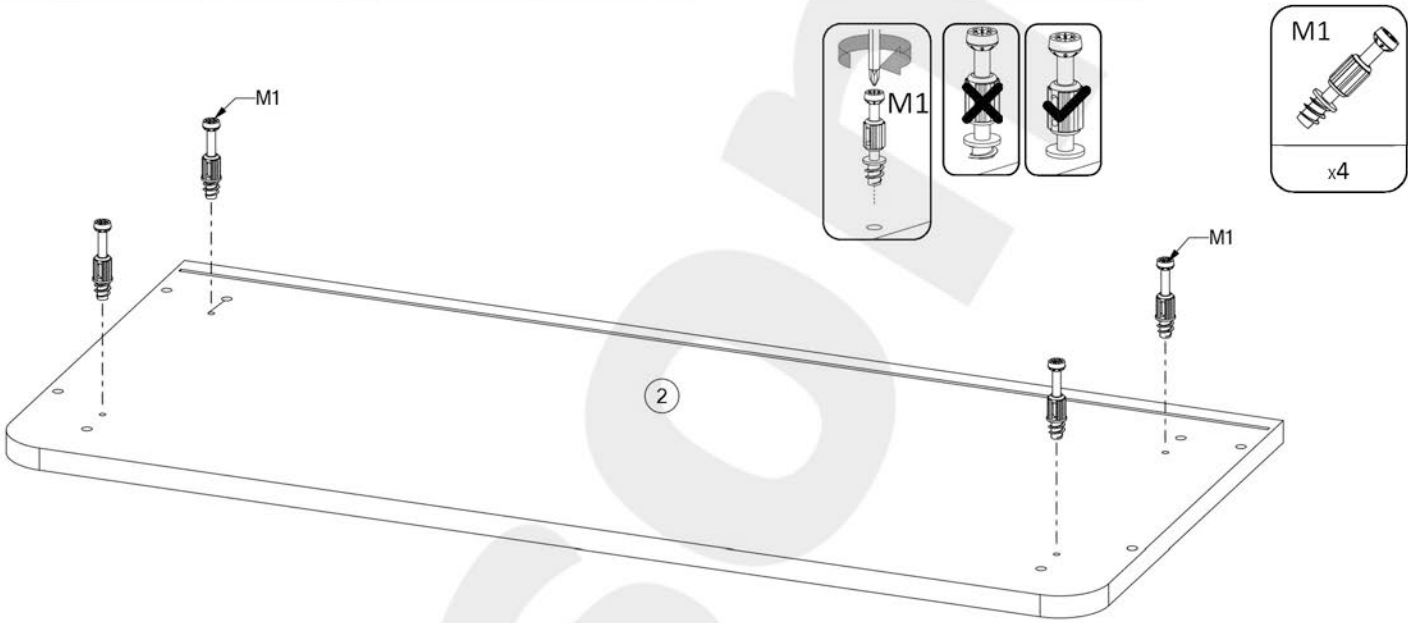
No	T(mm)	L(mm)	W(mm)	pcs.
1	18	896	400	1
2	18	896	400	1
3	16	1200	333	2
4	66	1200	66	2
5	16	1200	355	1
6	16	1200	355	1
7	16	762	355	1
8	16	762	355	1
9	18	596	376	2
10	18	194	756	1
11	18	194	756	2
12	16	350	140	3
13	16	350	140	3
14	16	704	140	3
15	3	717	346	3
16	3	1209	396	2



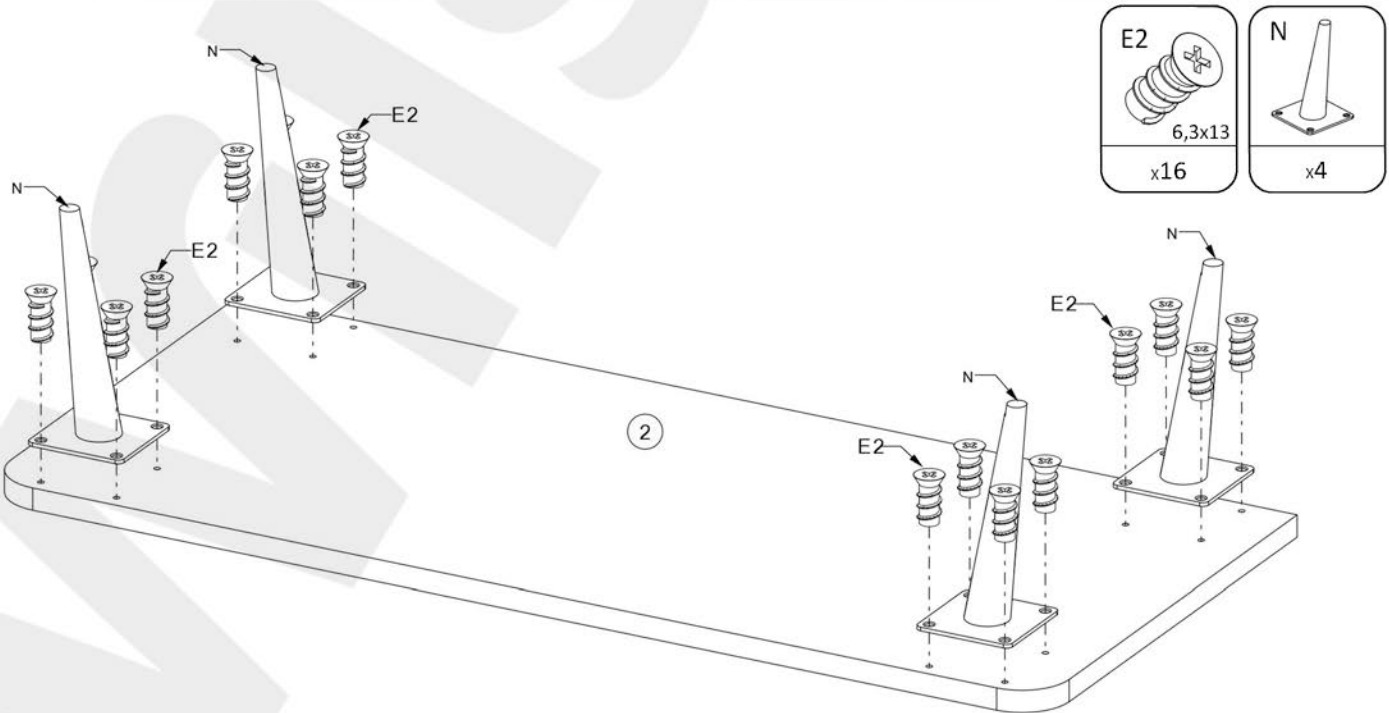
1



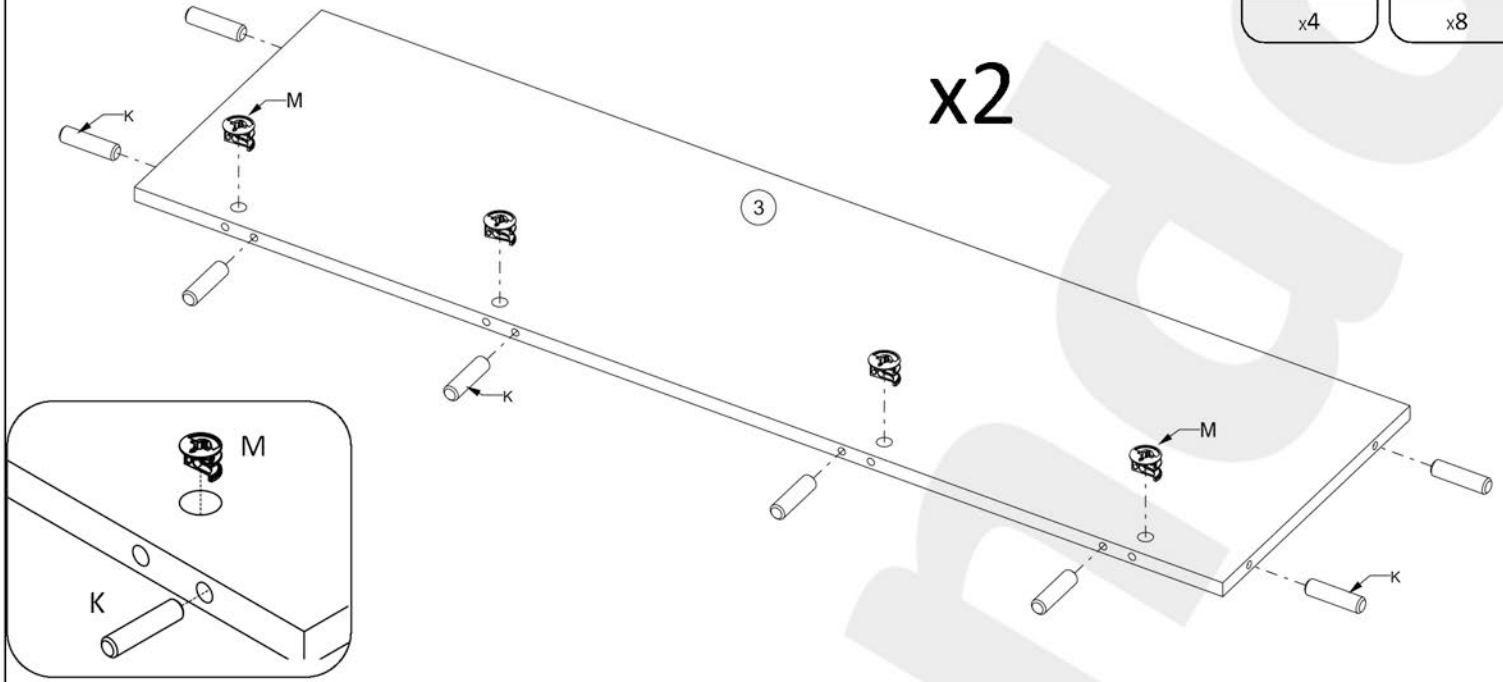
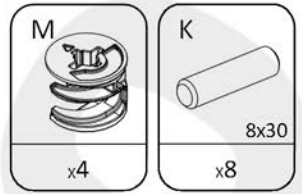
2



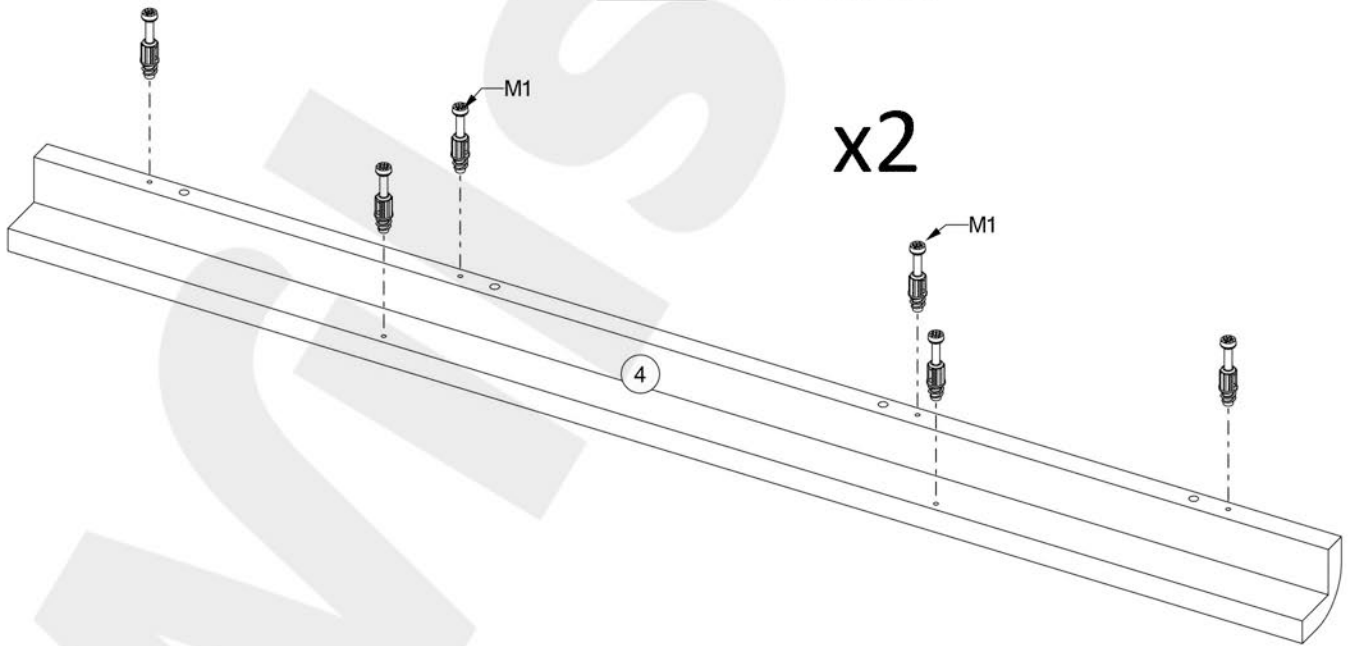
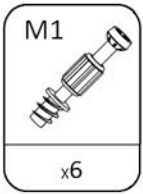
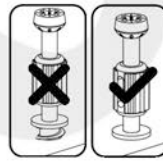
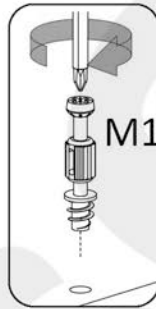
3



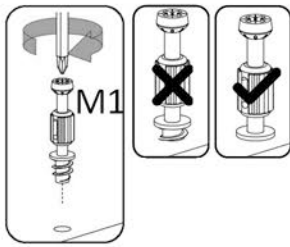
4



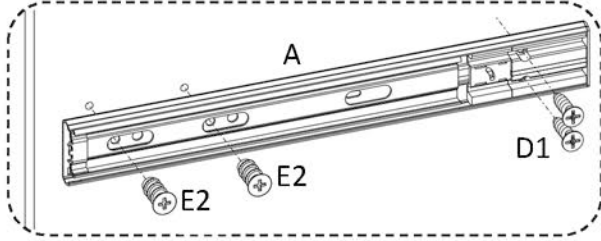
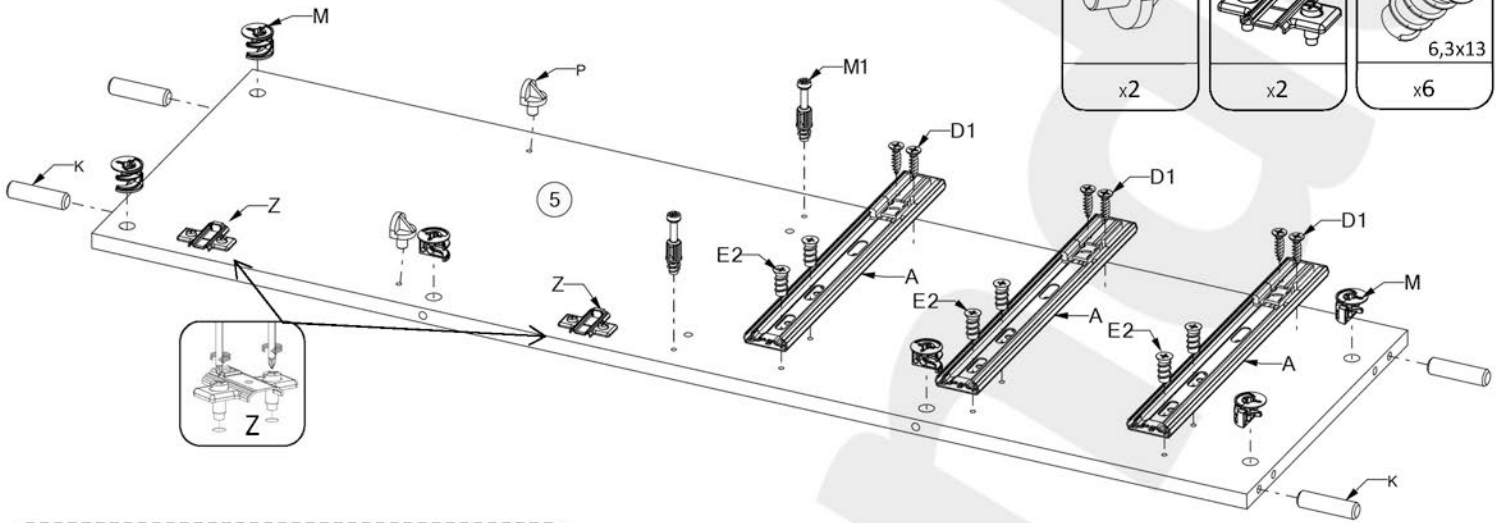
5



6

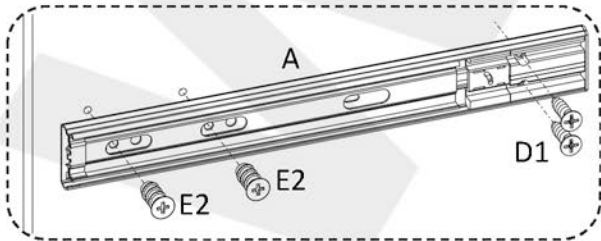
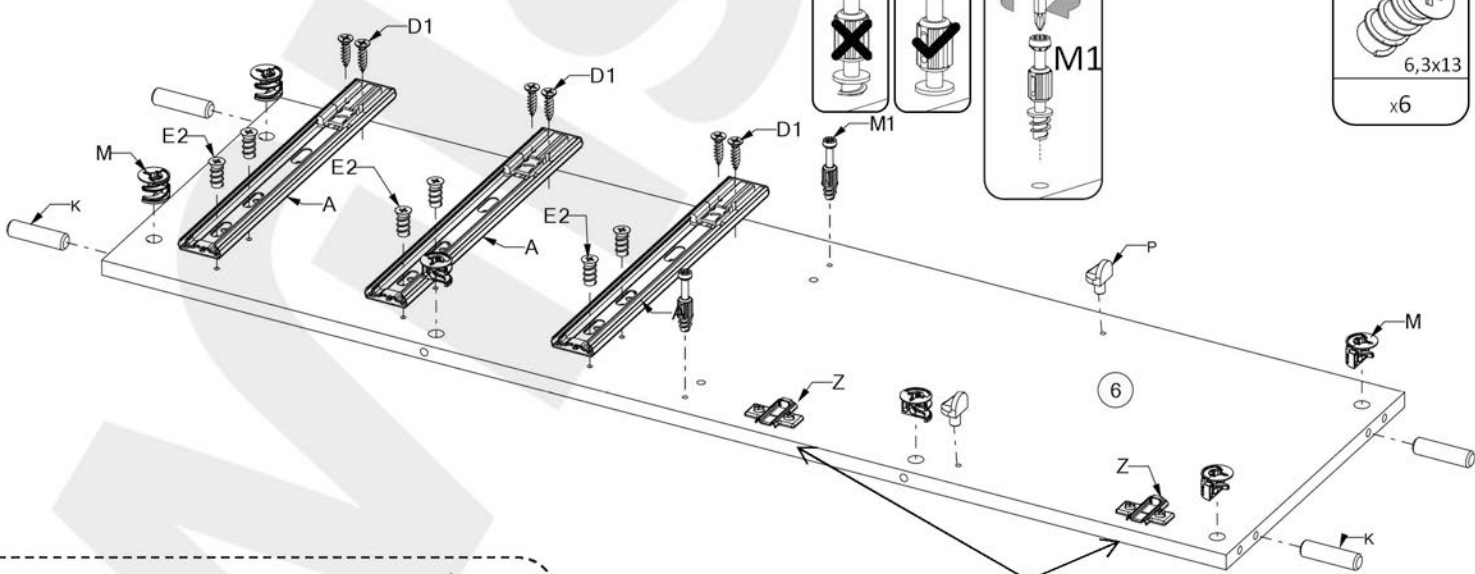
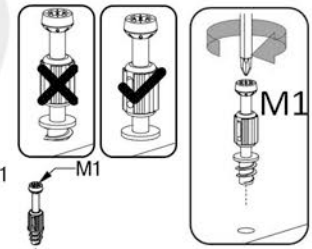


D1 3,5x16 x6	M1 x2	M x6	K 8x30 x4
P x2	Z x2	E2 6,3x13 x6	

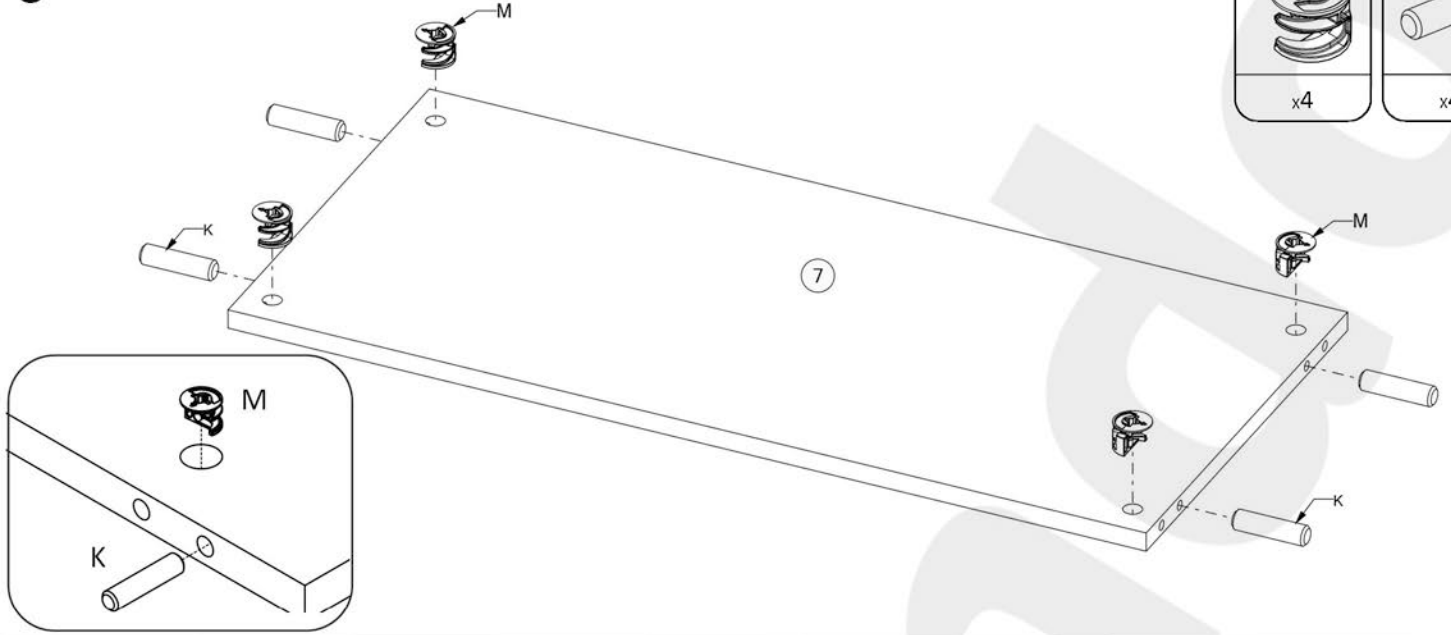
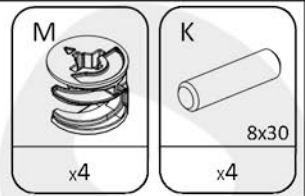


7

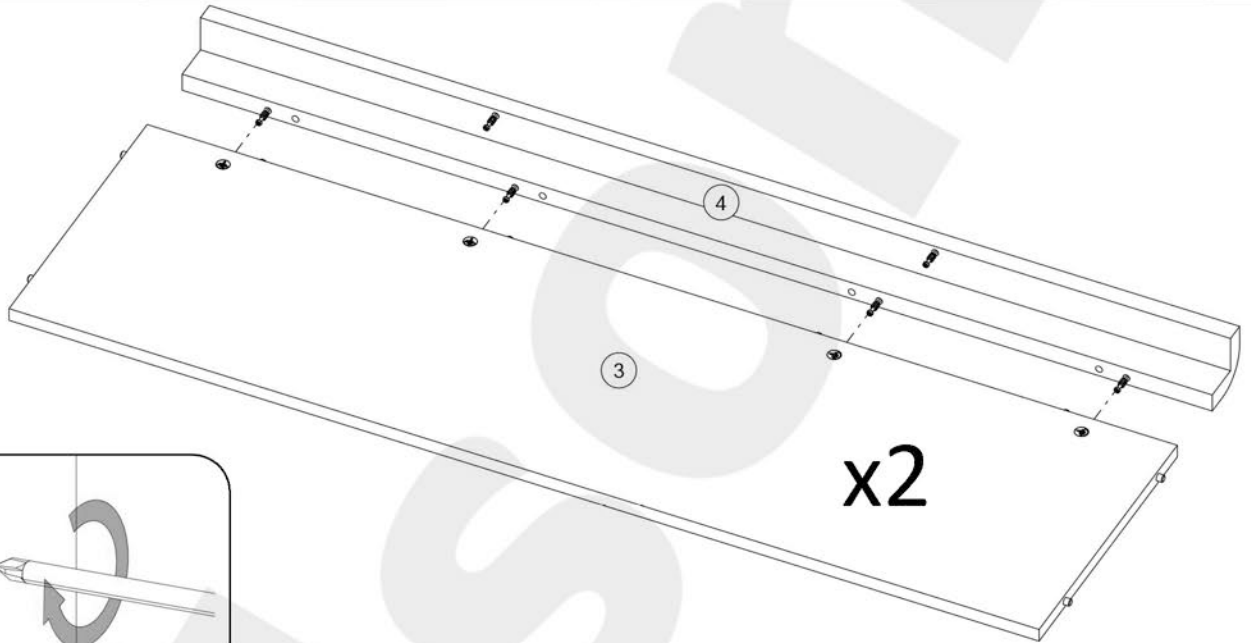
Z x2	P x2	D1 3,5x16 x6	M1 x2	M x6	K 8x30 x4
E2 6,3x13 x6					



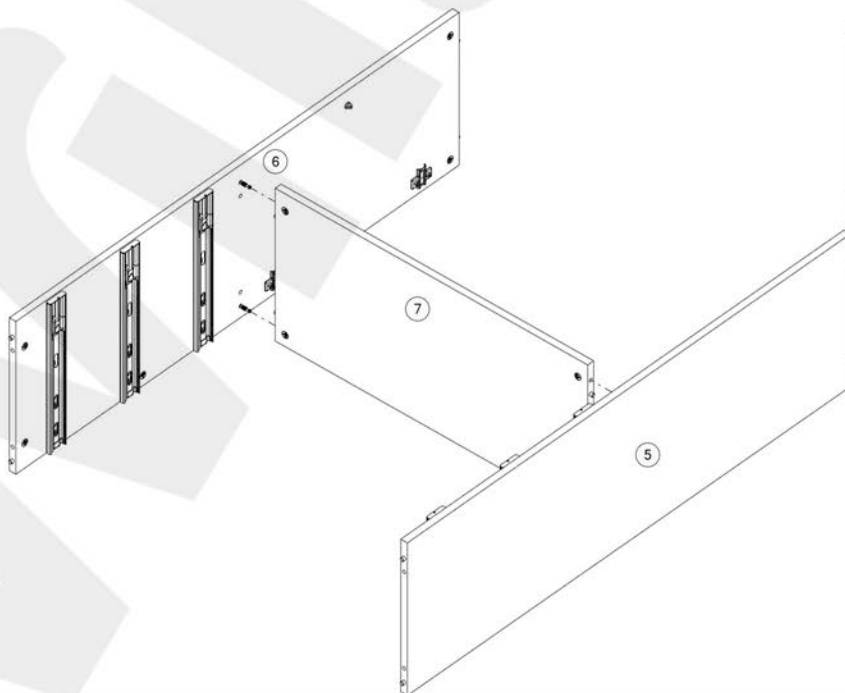
8



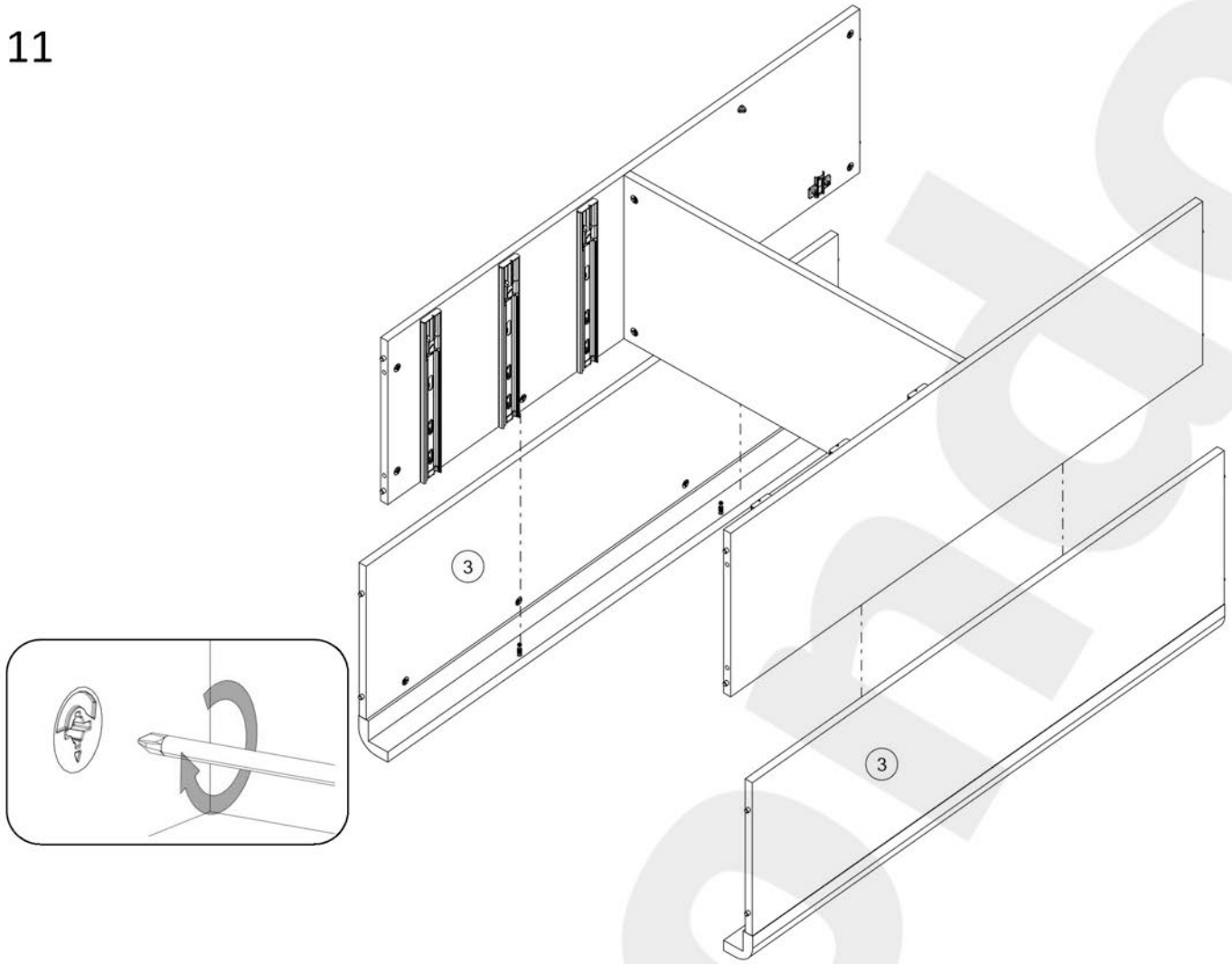
9



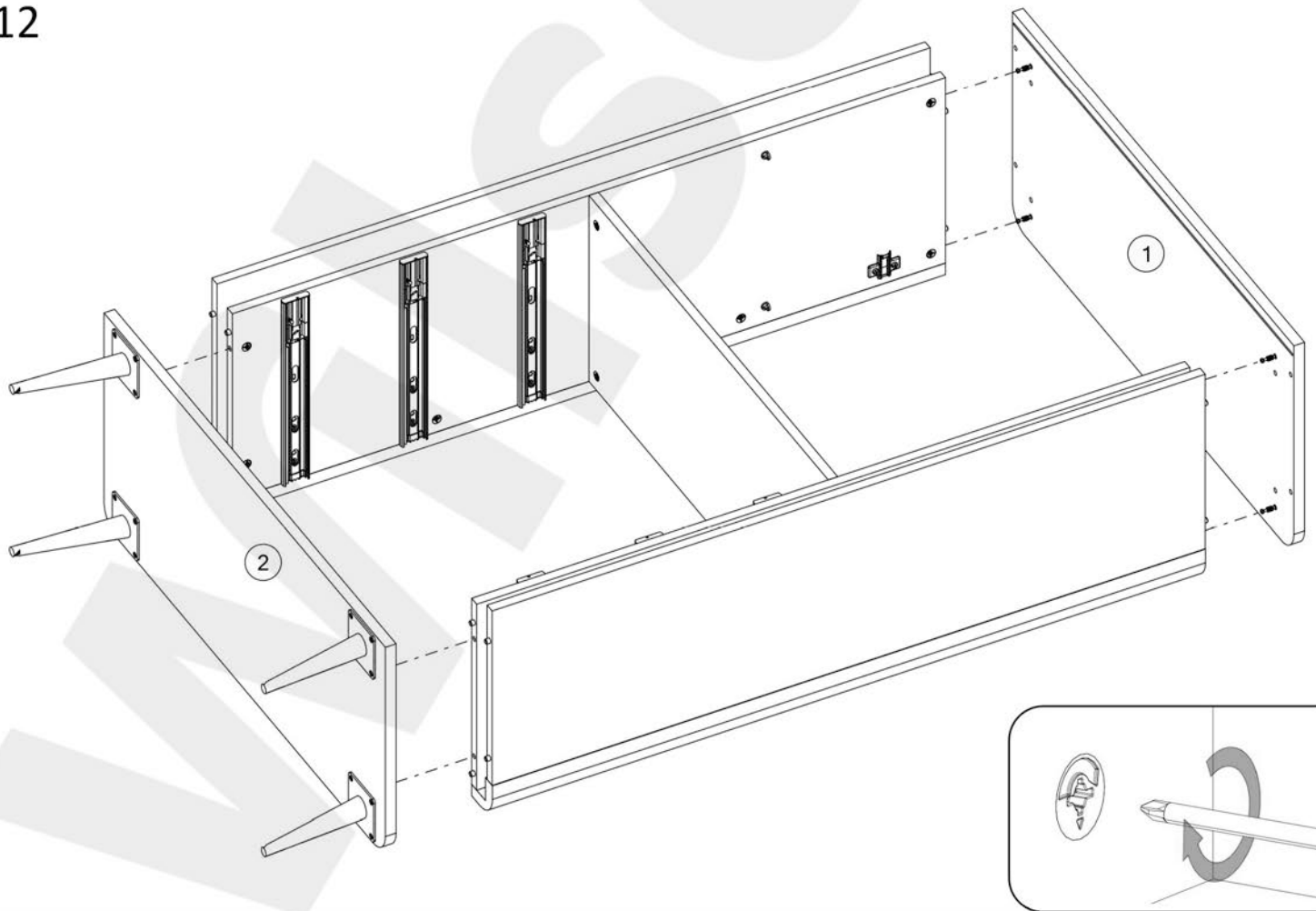
10



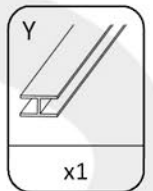
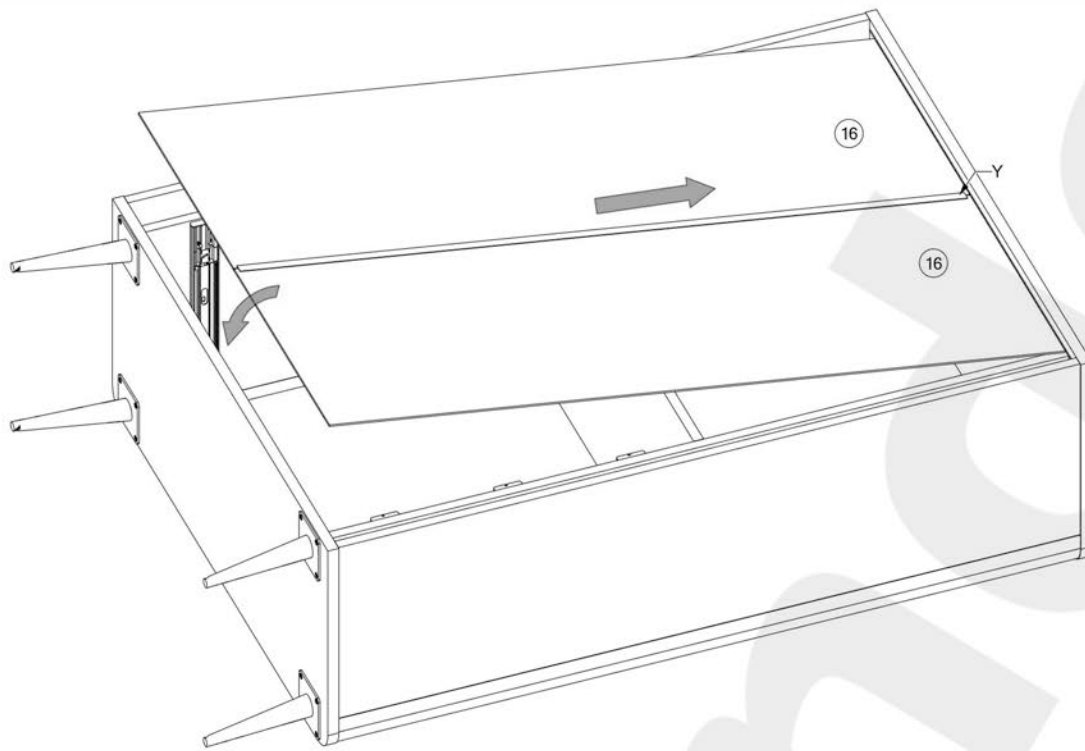
11



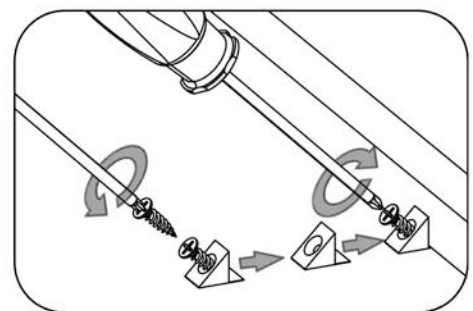
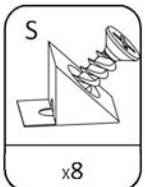
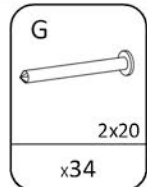
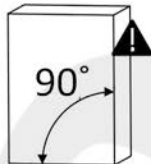
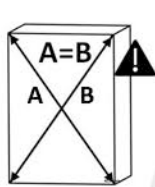
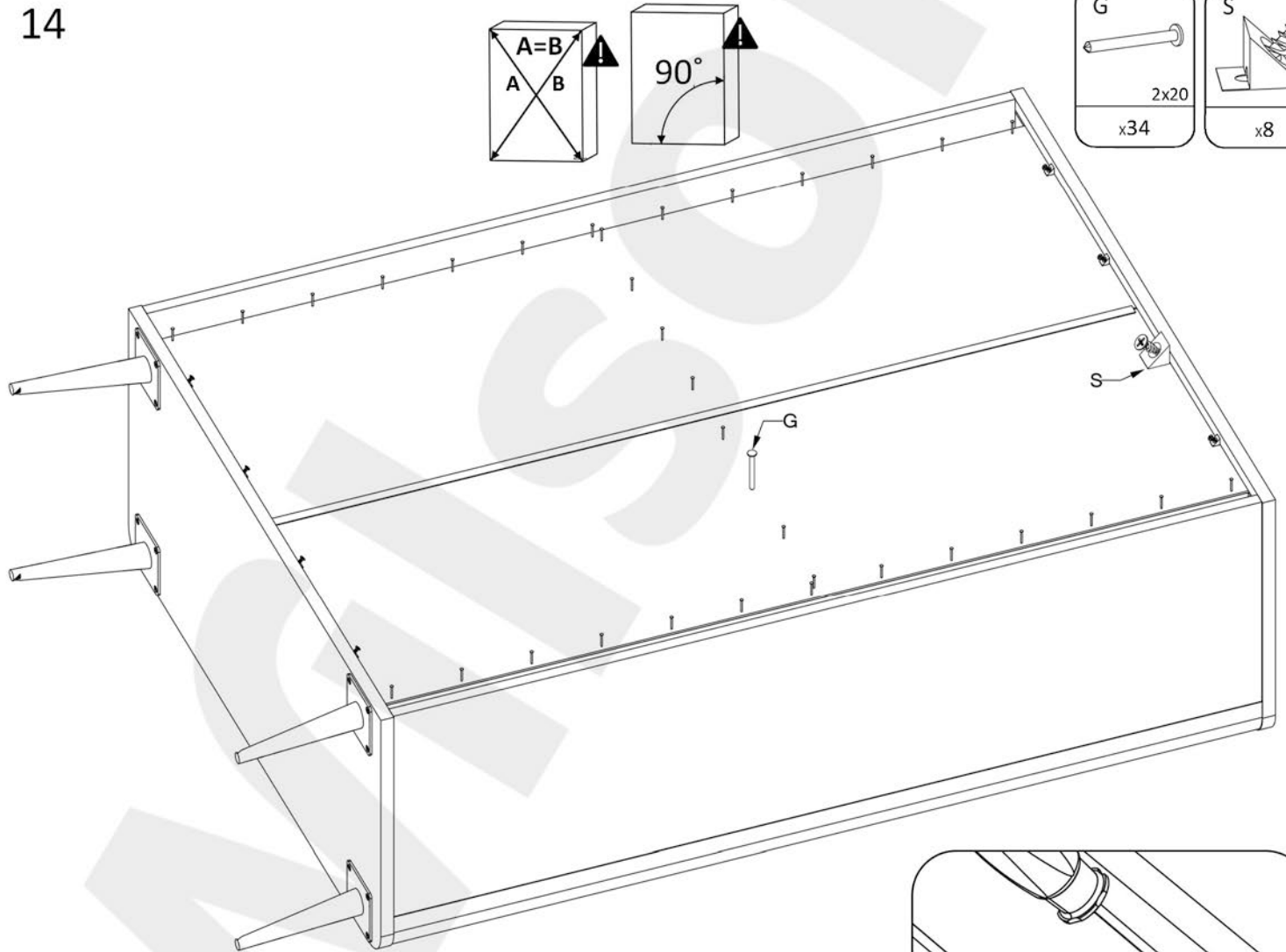
12



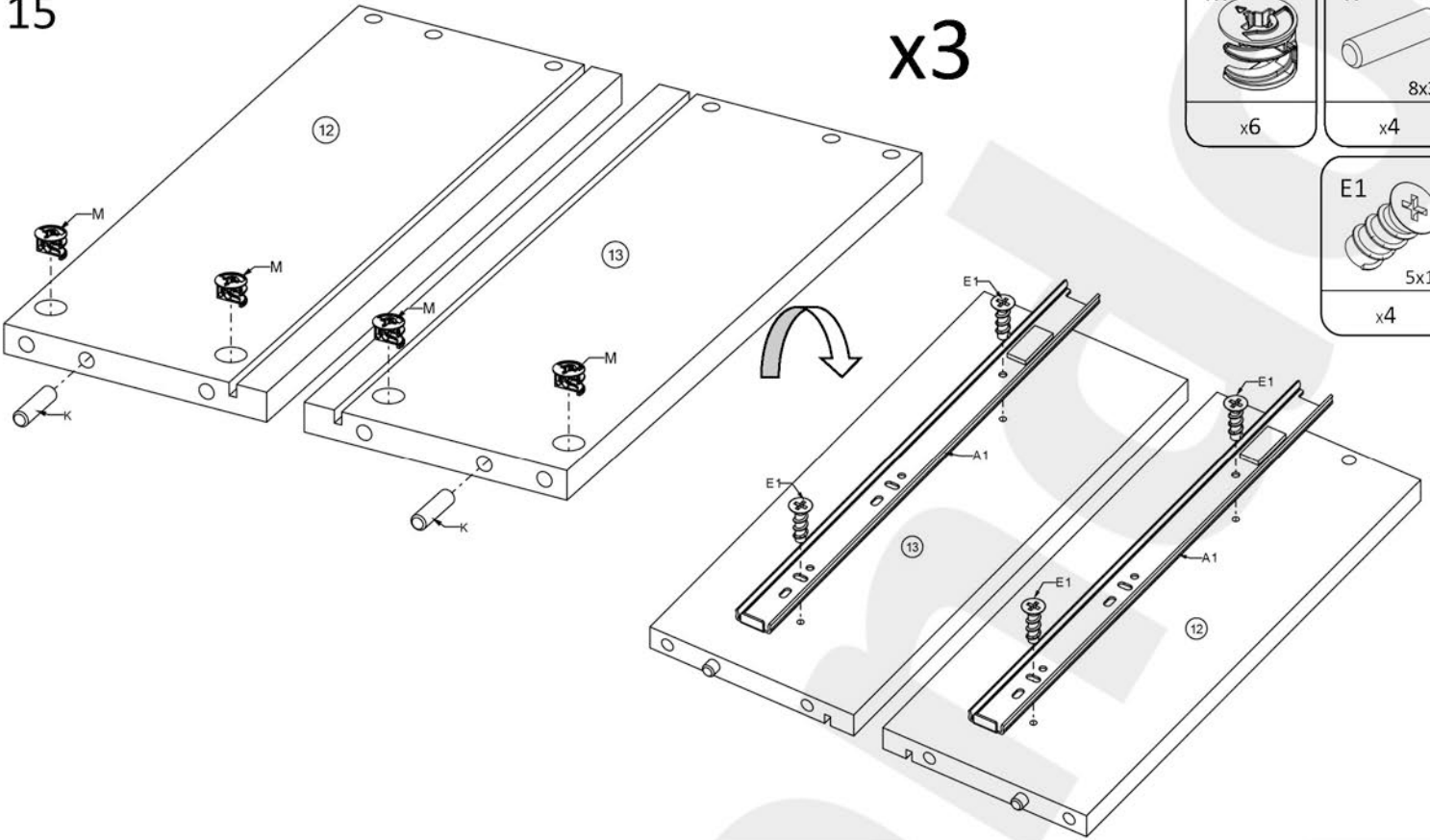
13


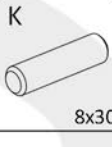



14

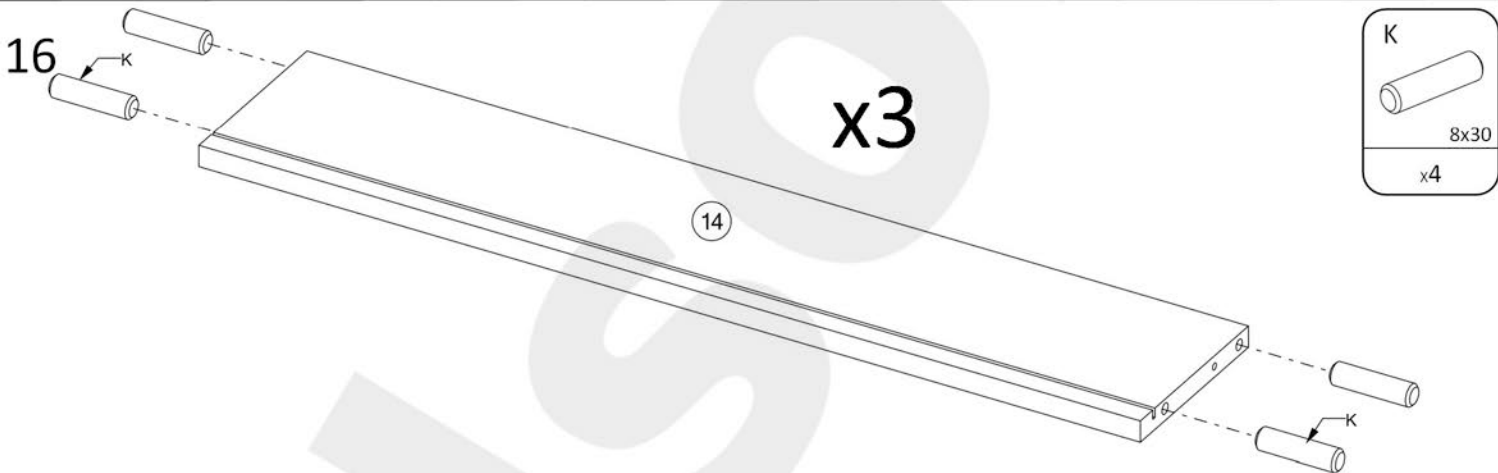


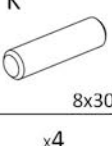
15



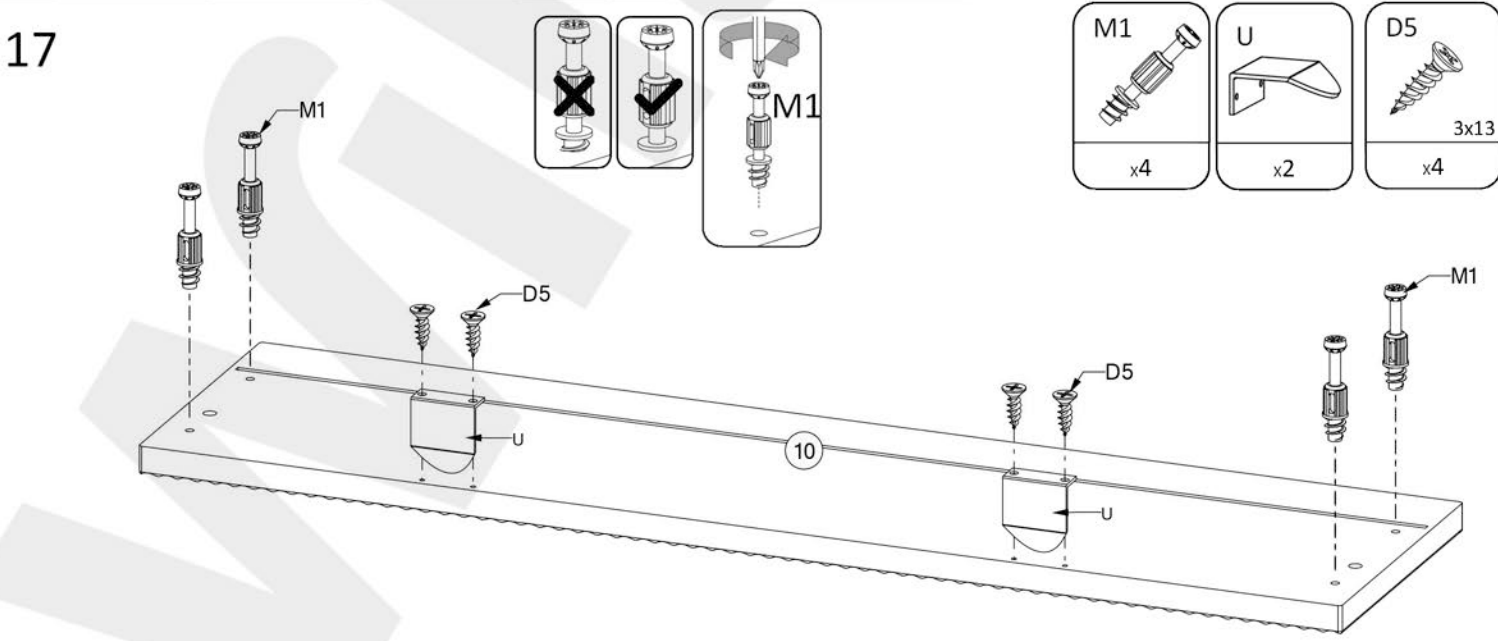
<b>M</b>  x6	<b>K</b>  8x30 x4
<b>E1</b>  5x13 x4	


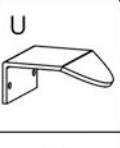

16 x3



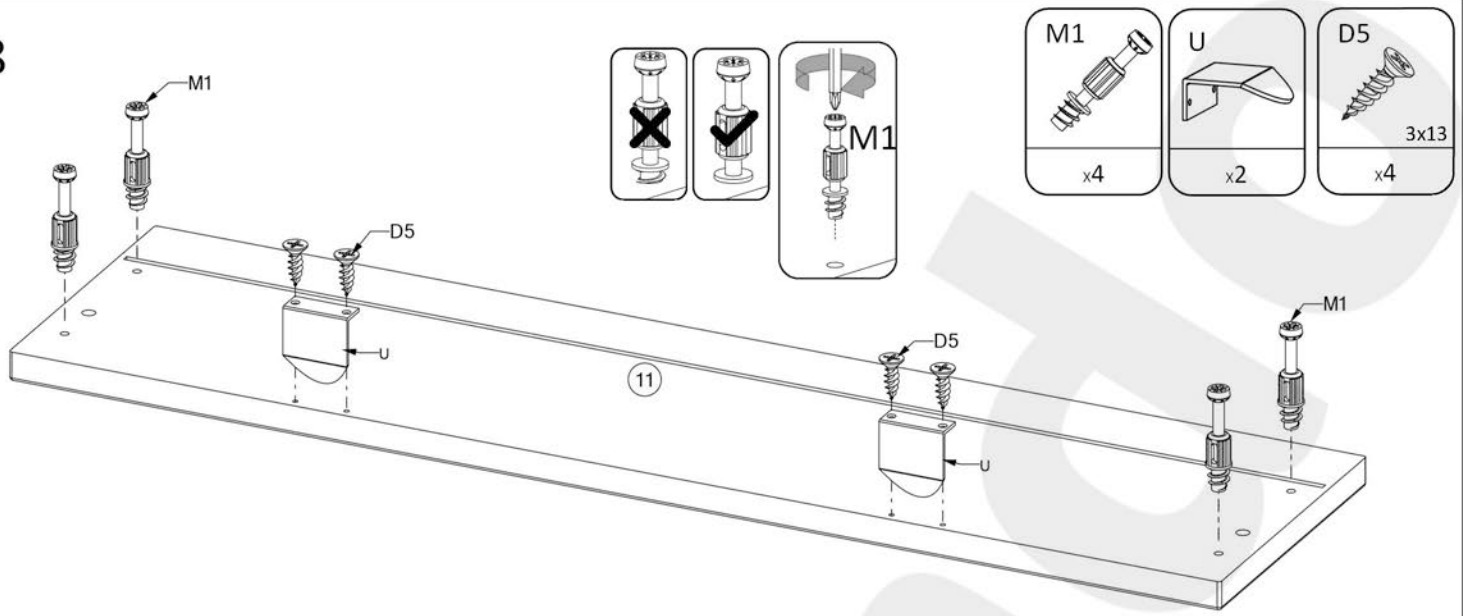
<b>K</b>  8x30 x4
---

17

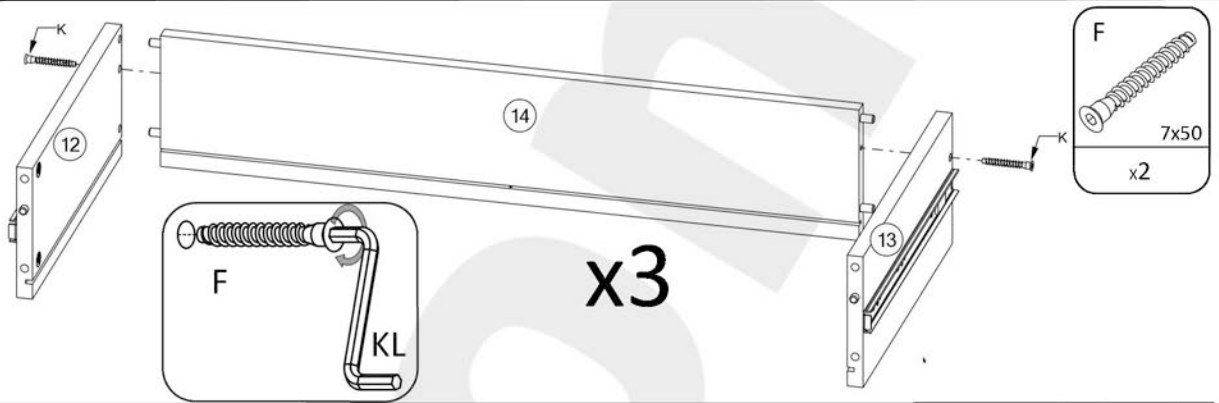


<b>M1</b>  x4	<b>U</b>  x2	<b>D5</b>  3x13 x4
--	---	--

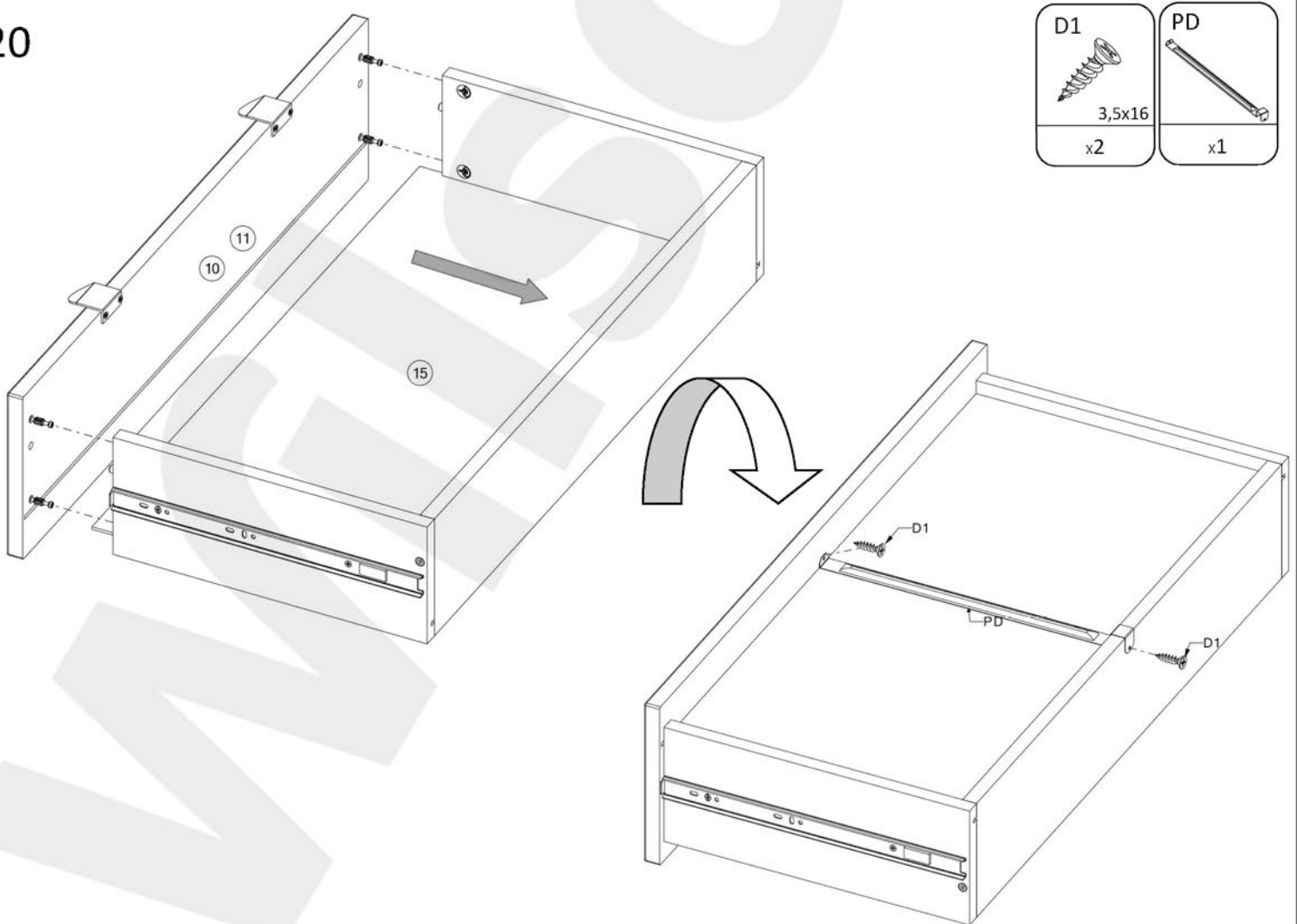
18



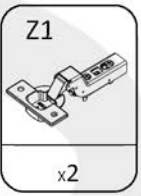
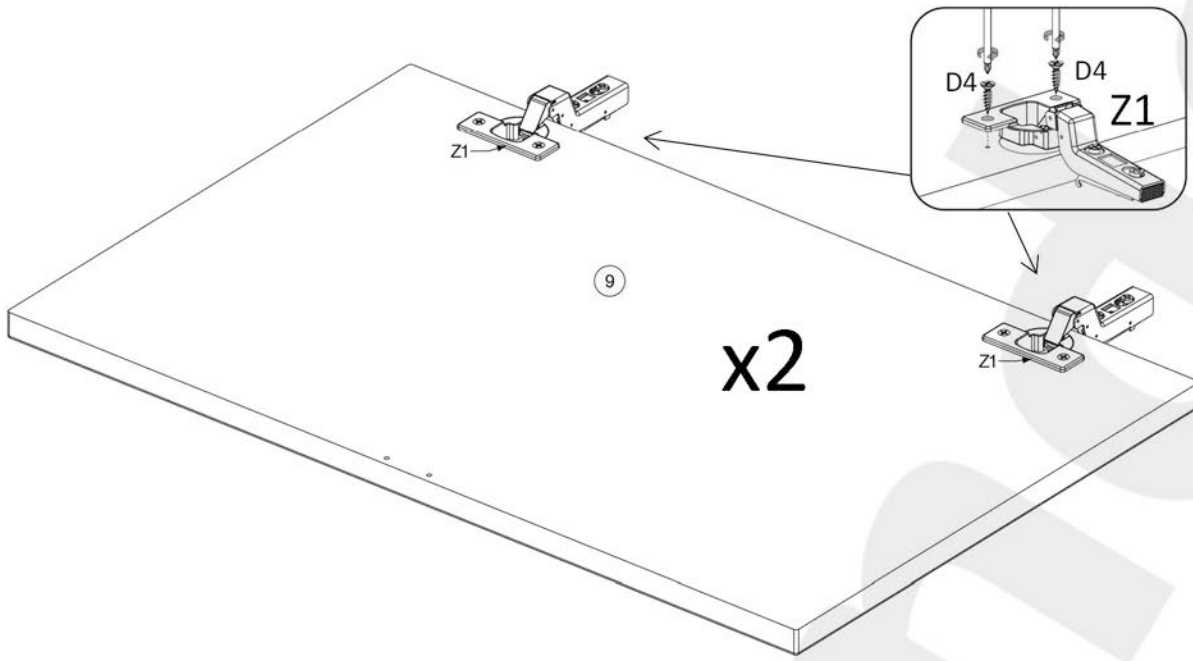
19



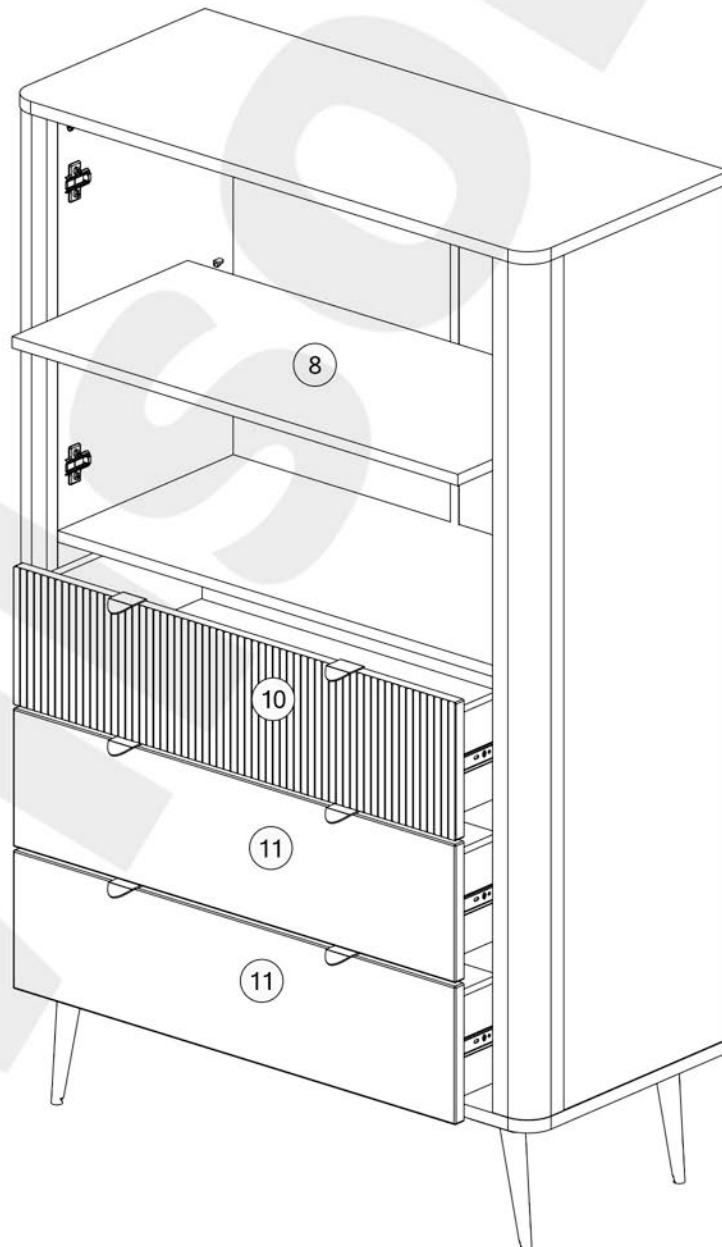
20



21



22



23

