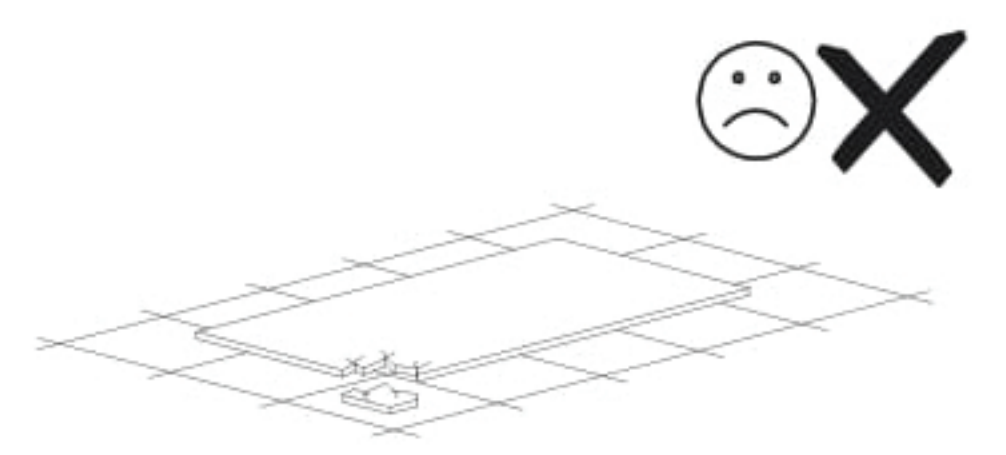
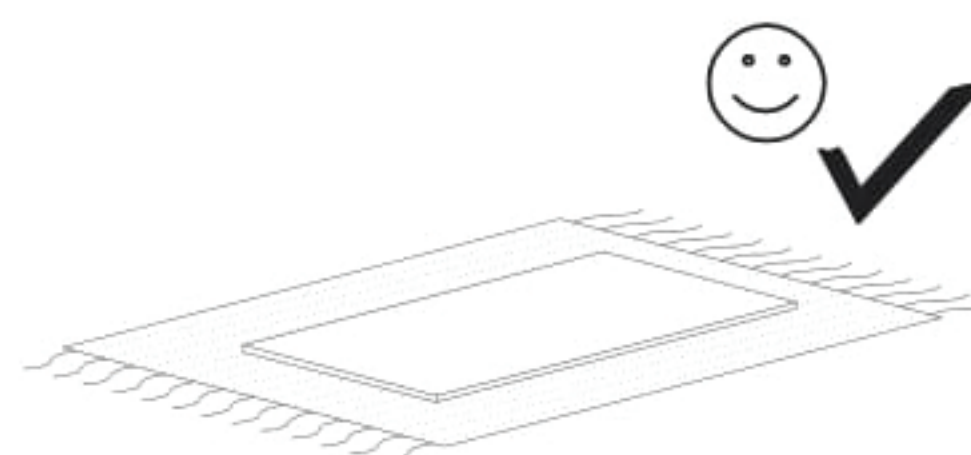
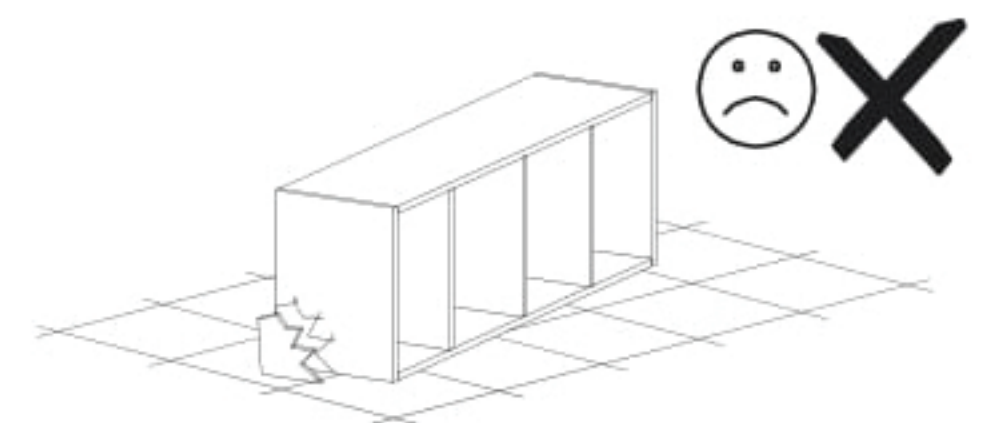
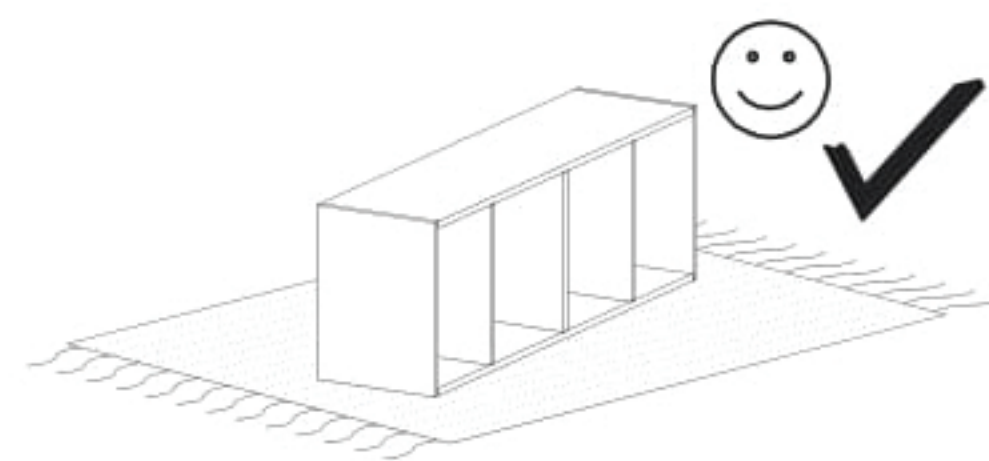
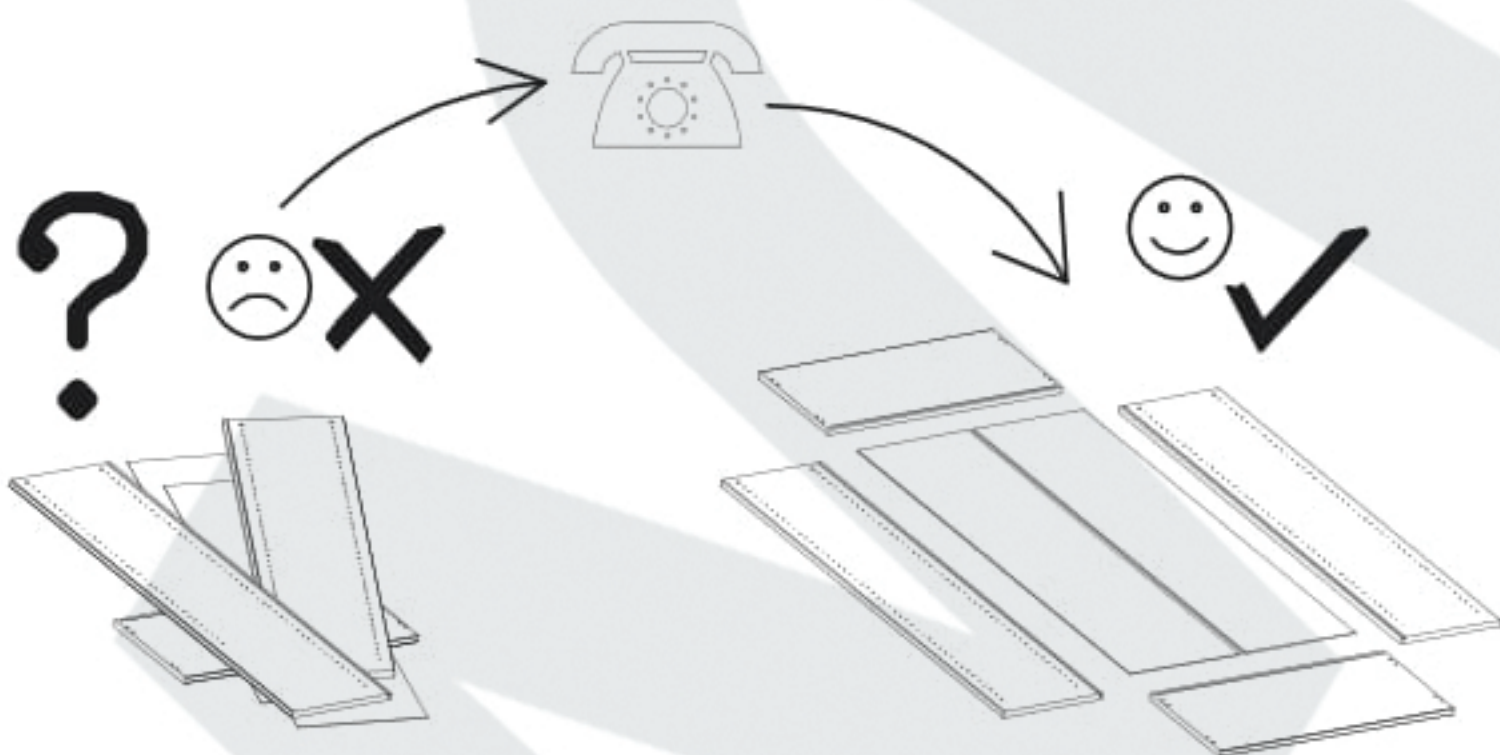
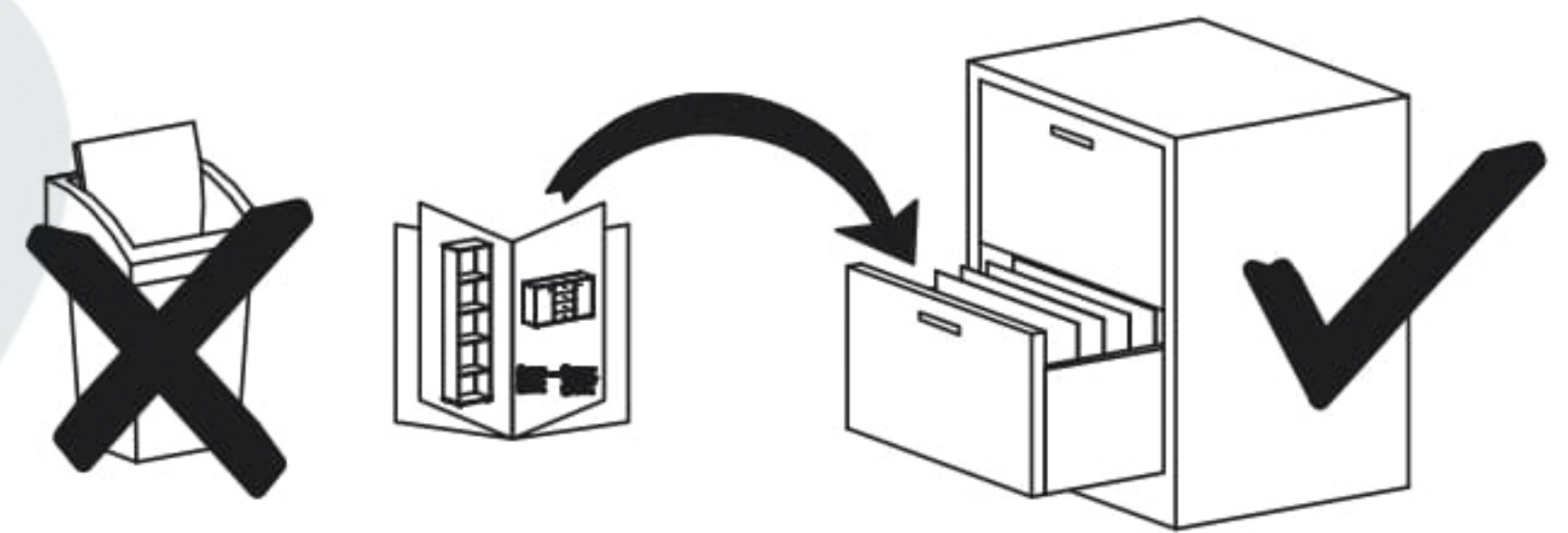
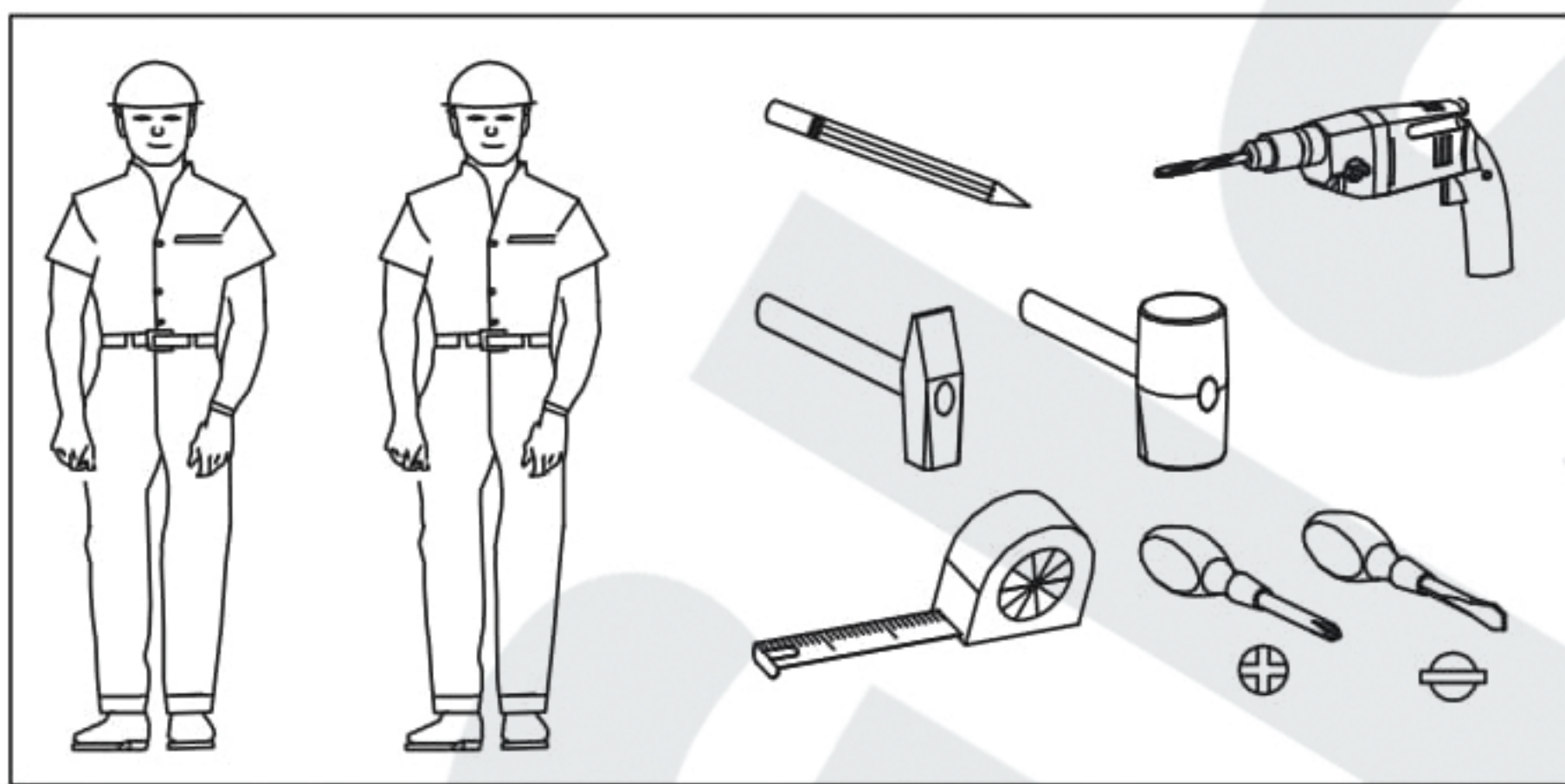
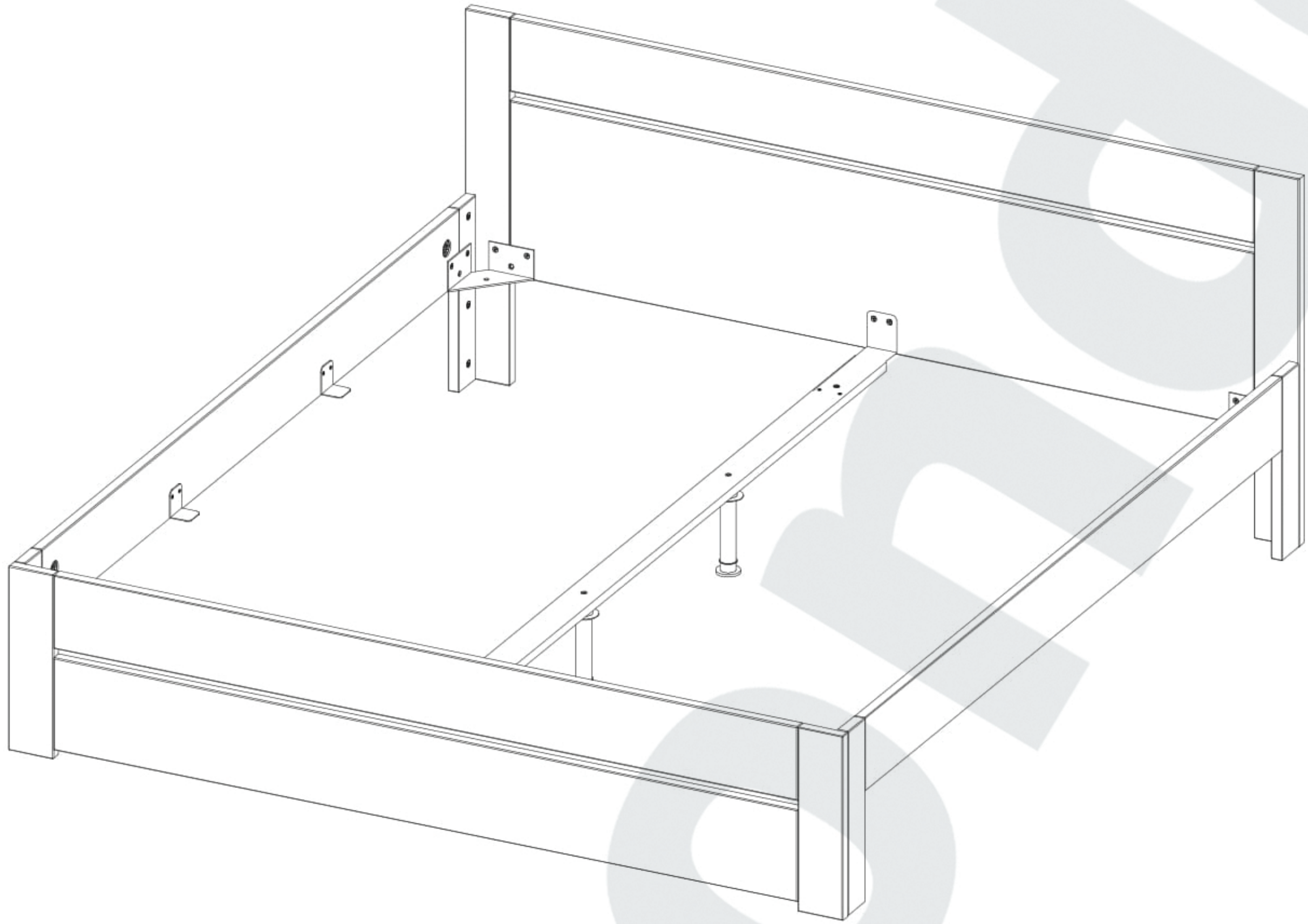
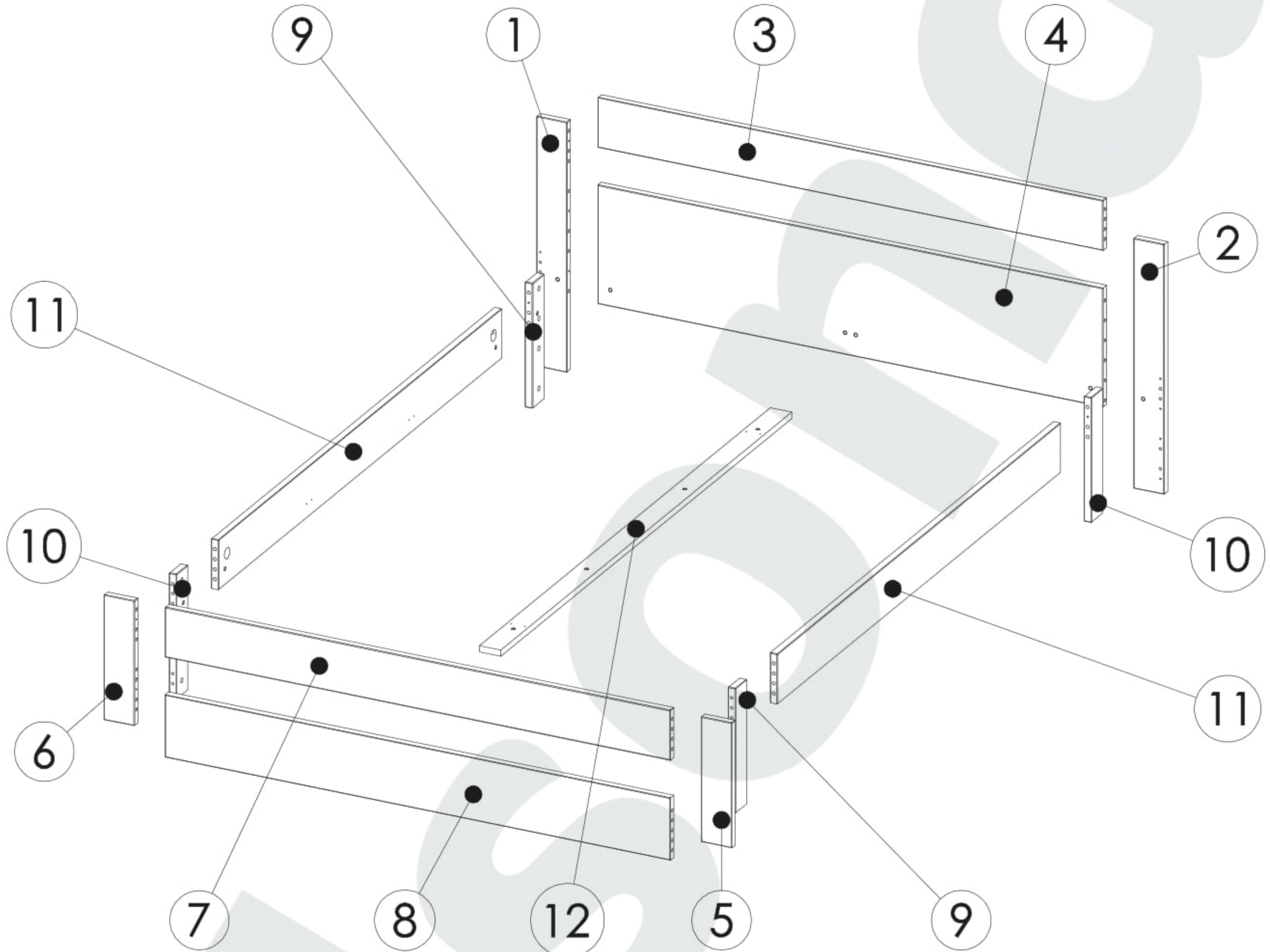
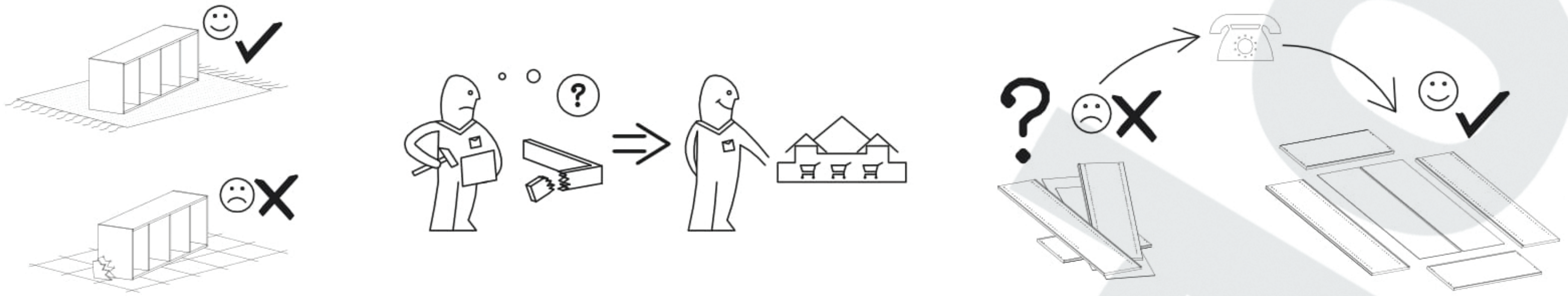


RIBES

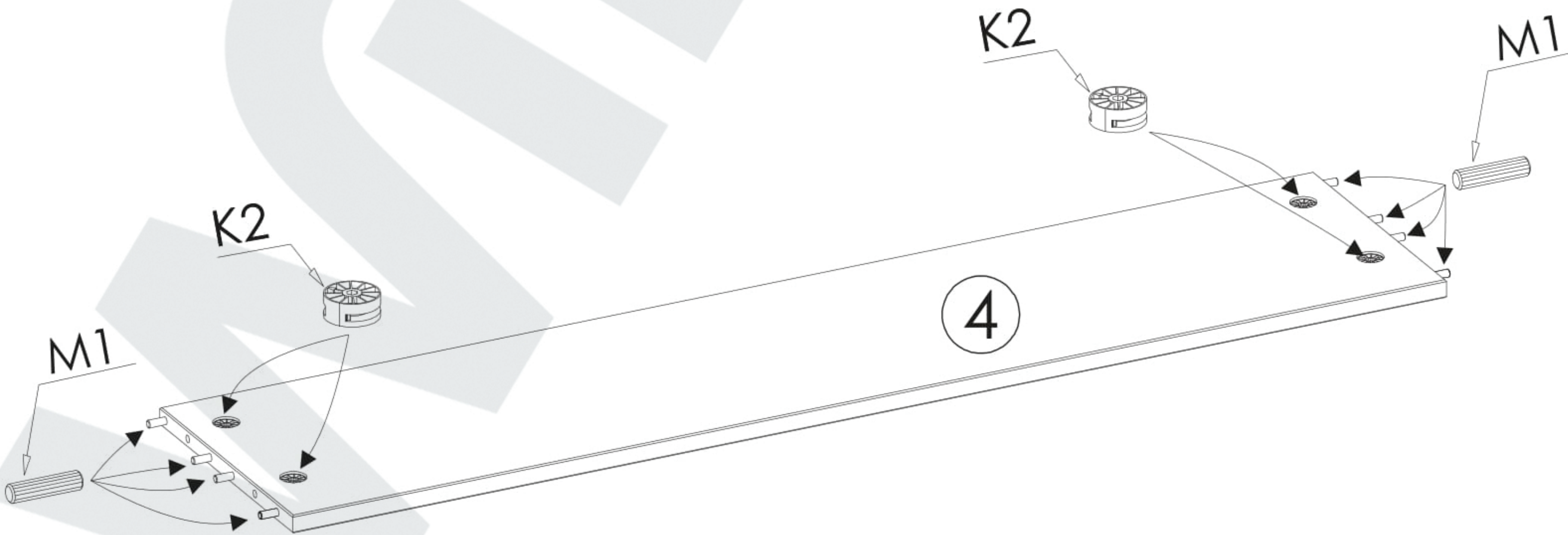
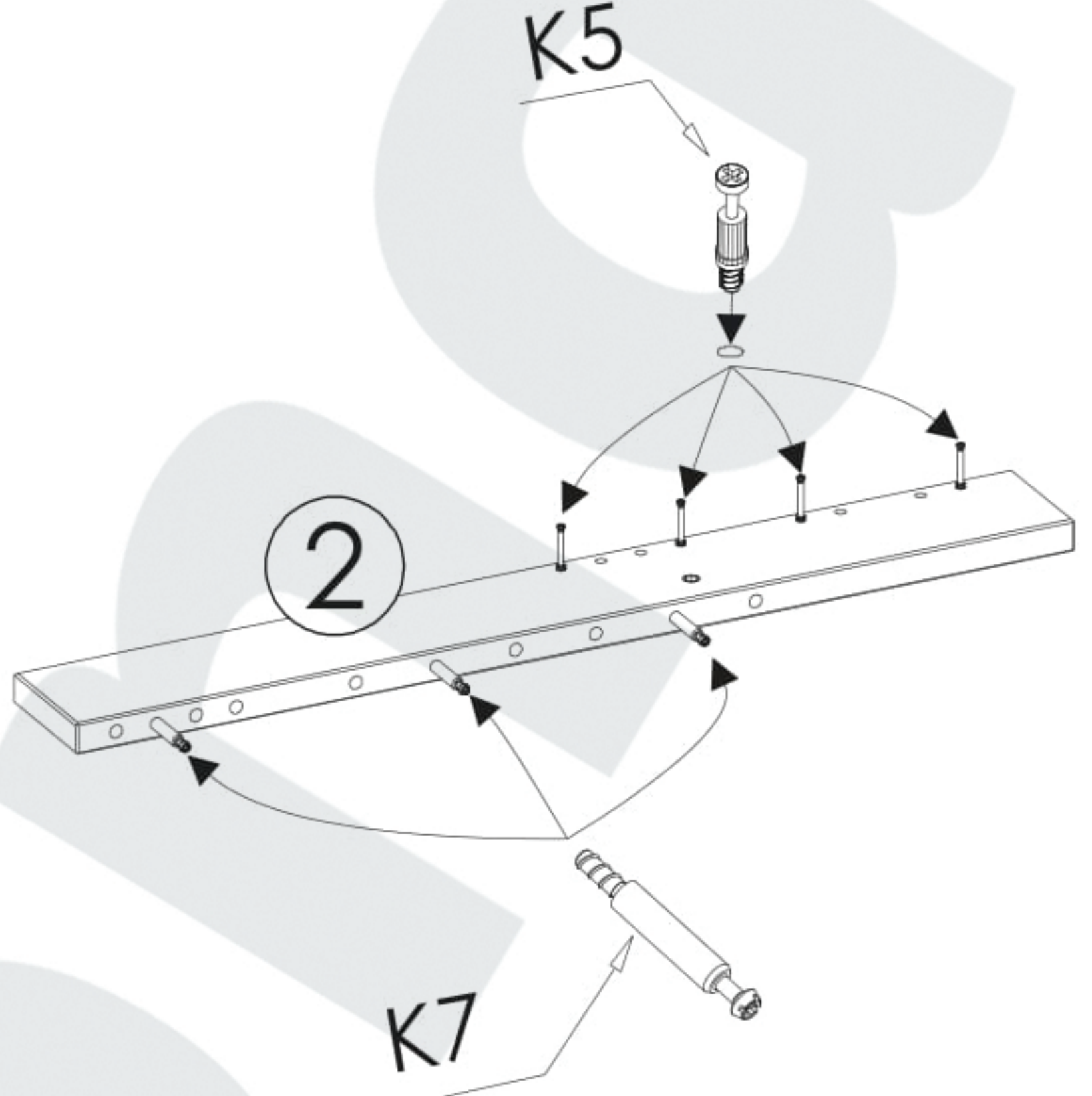
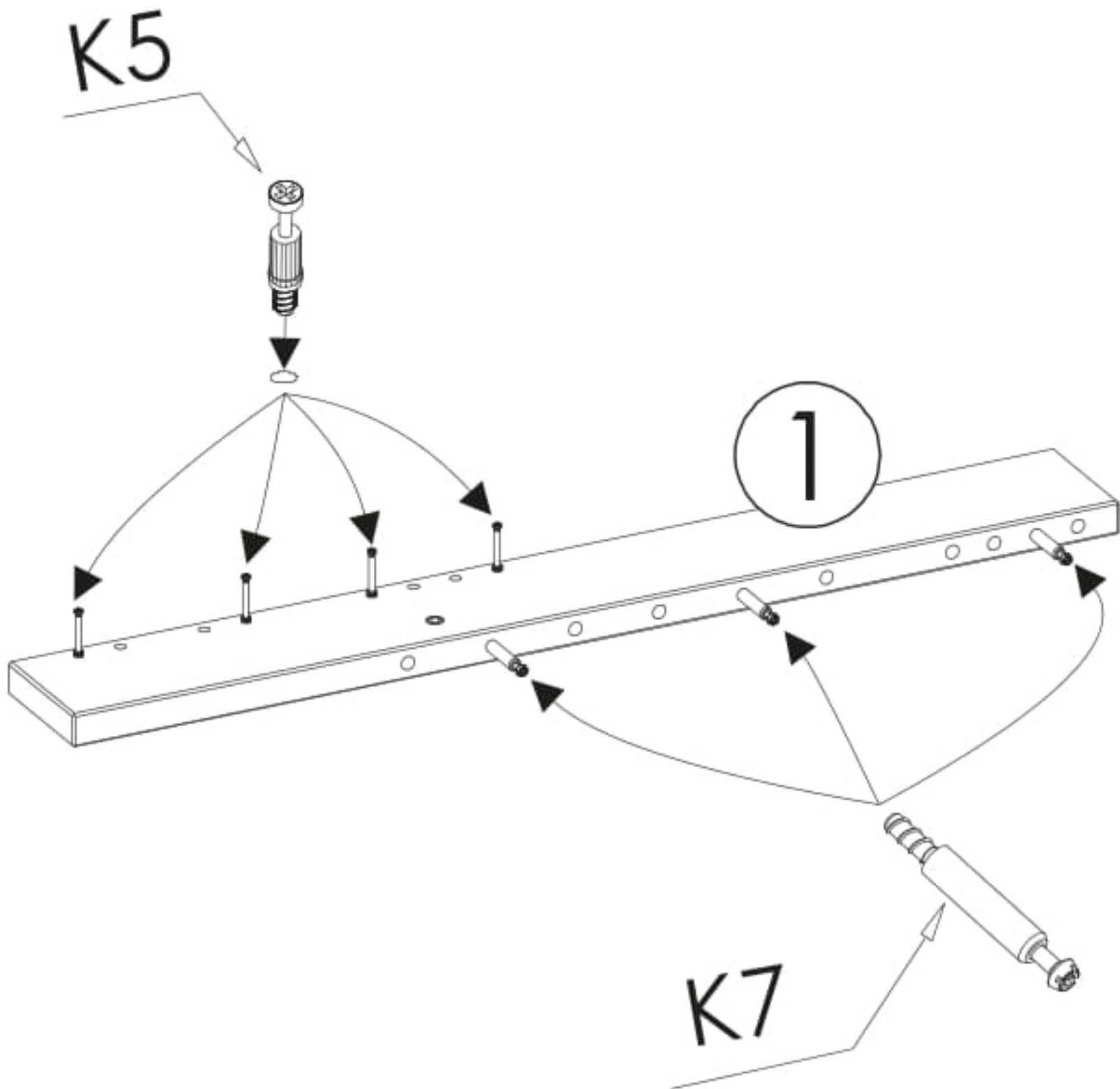
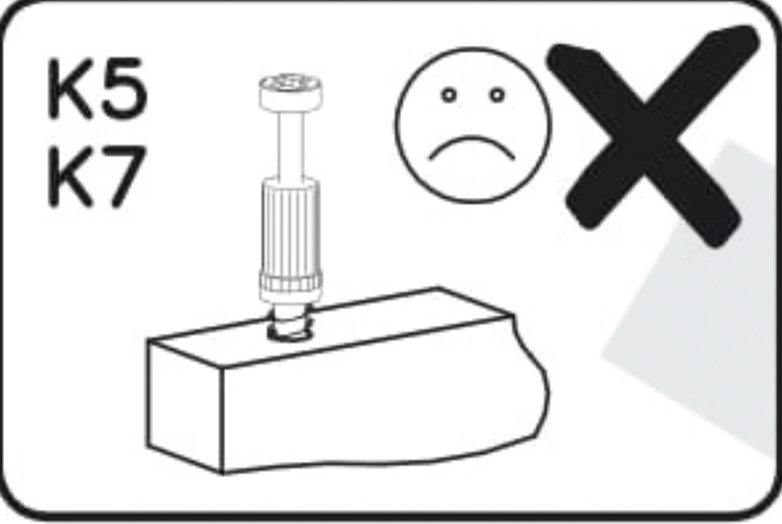
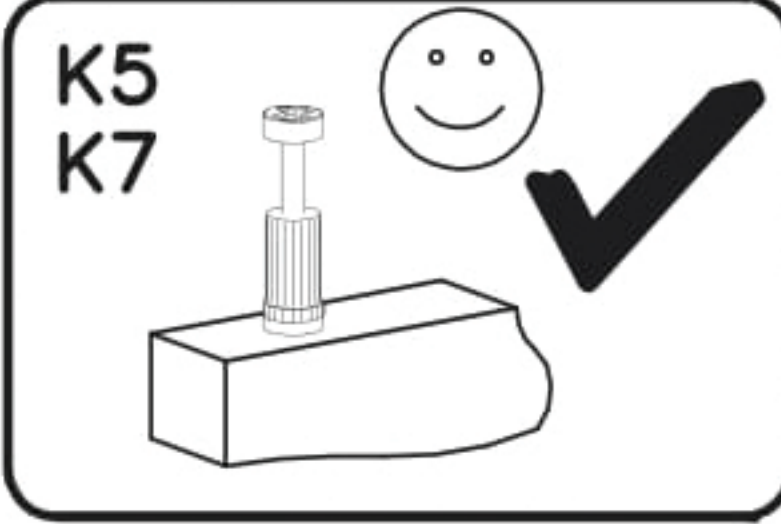
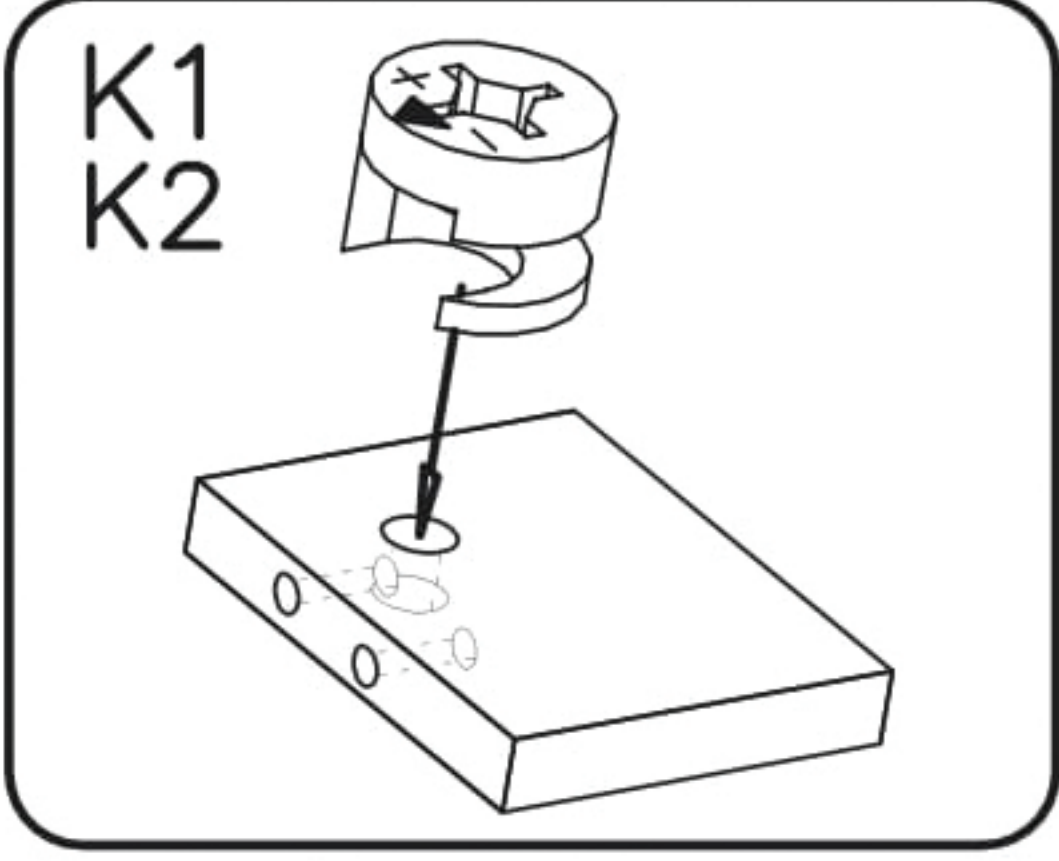




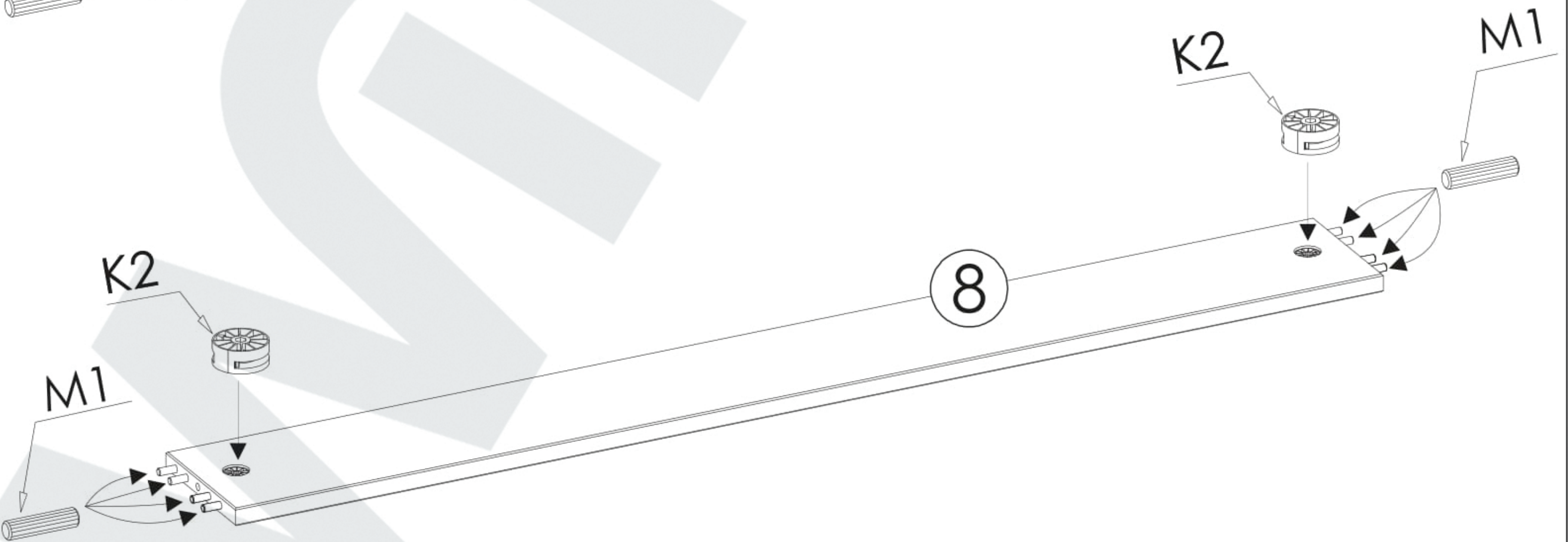
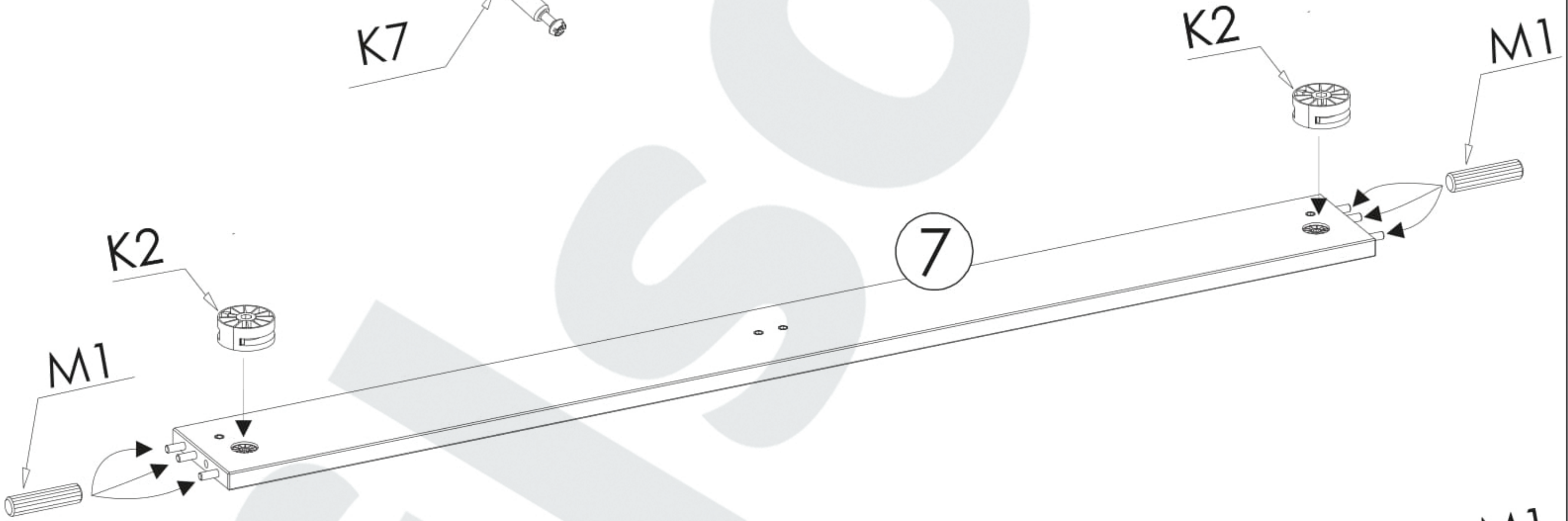
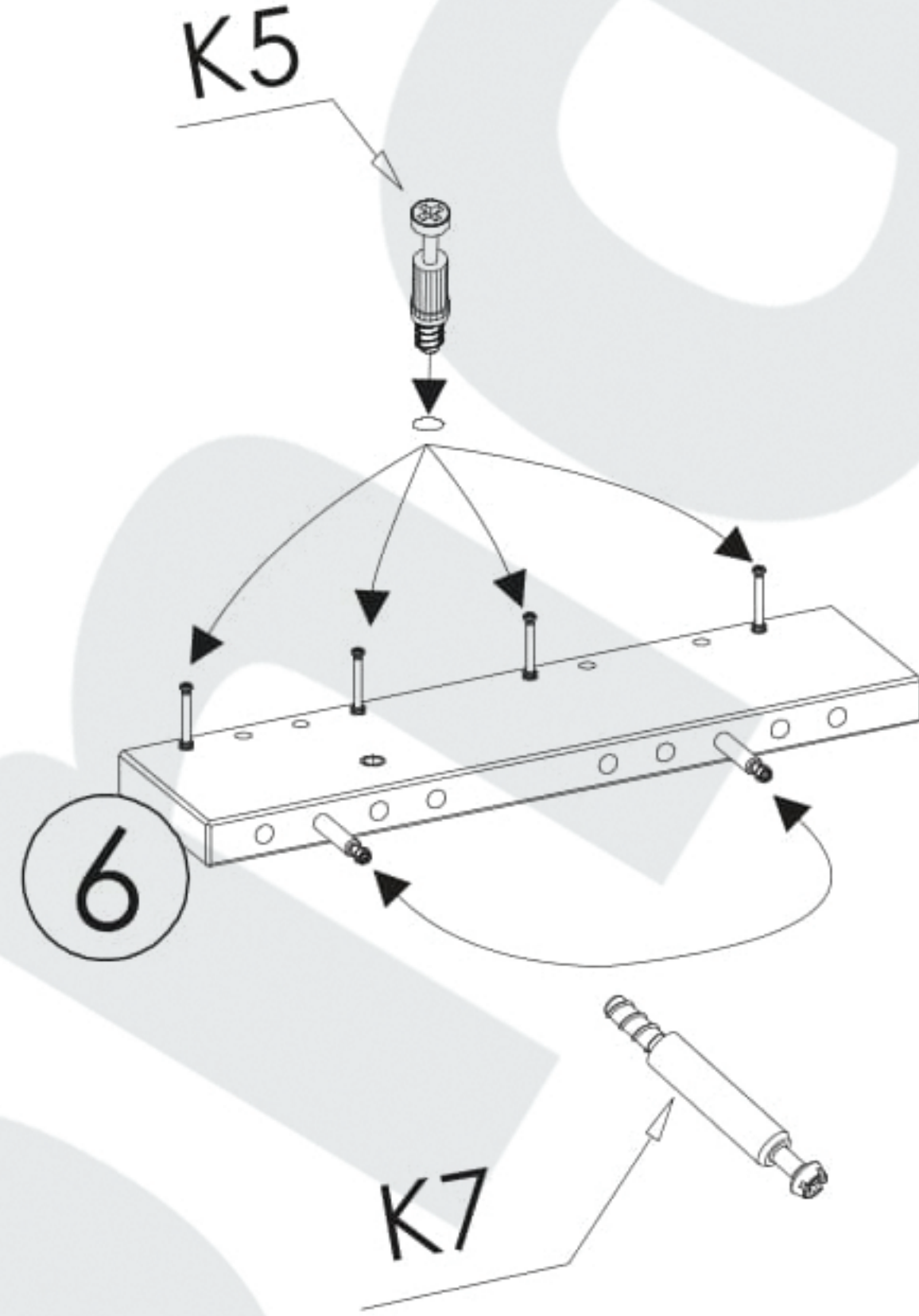
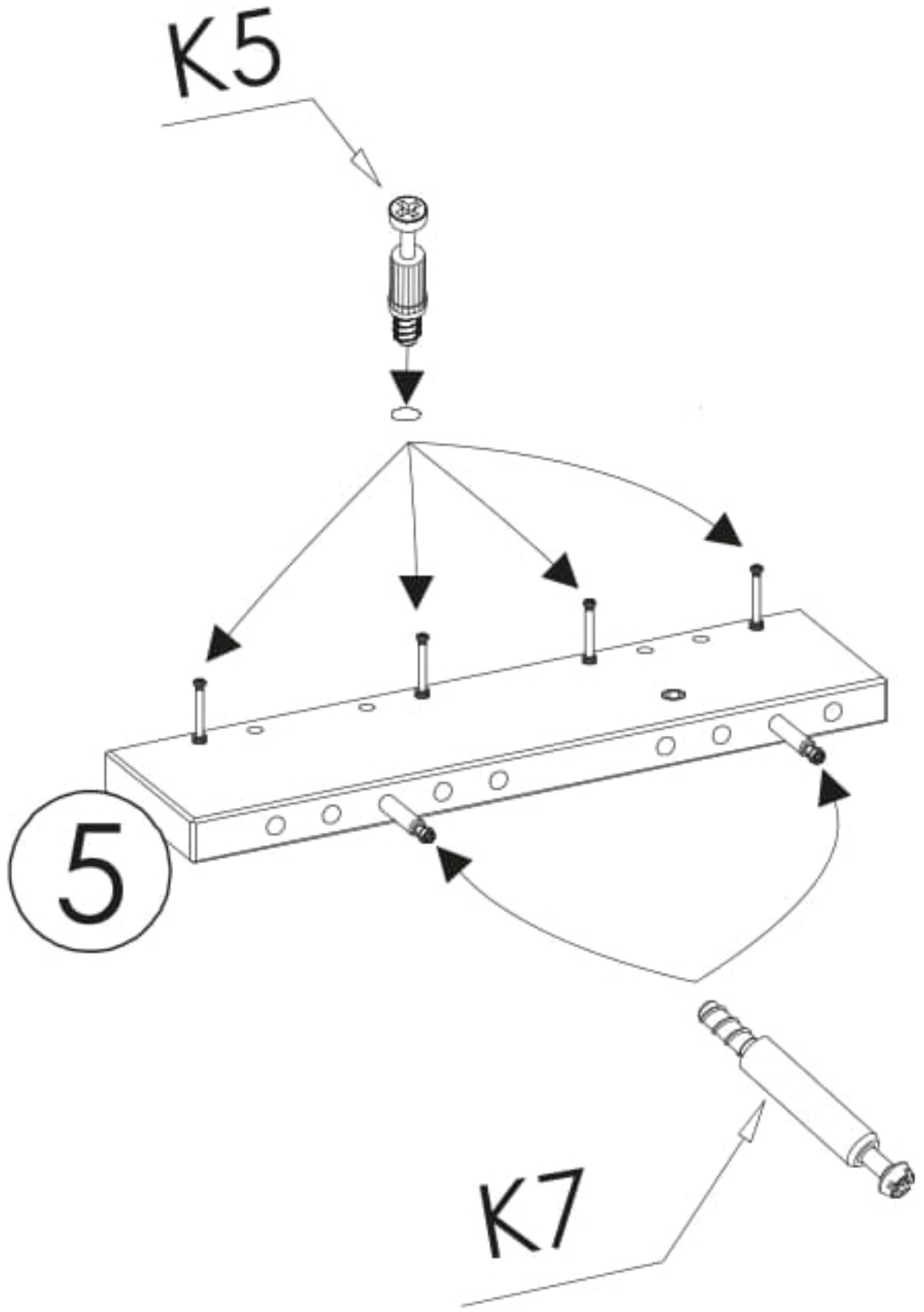
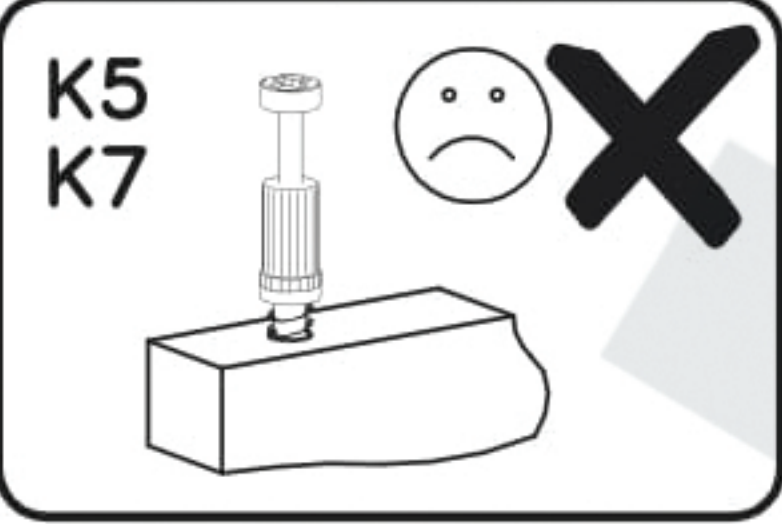
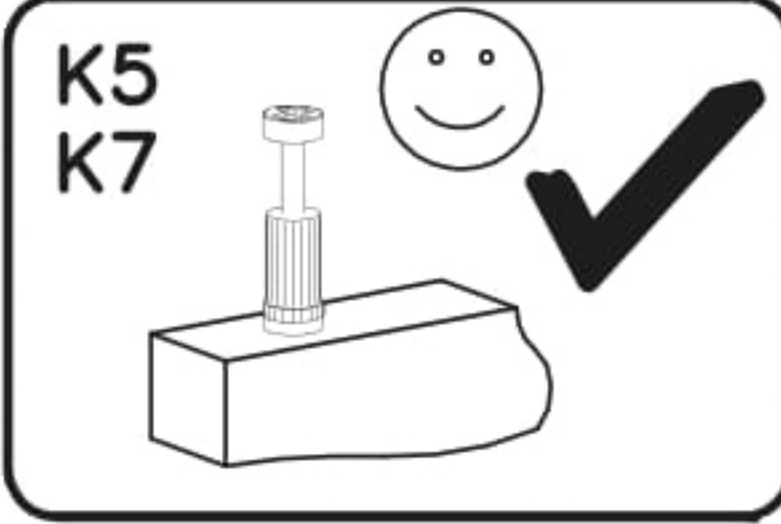
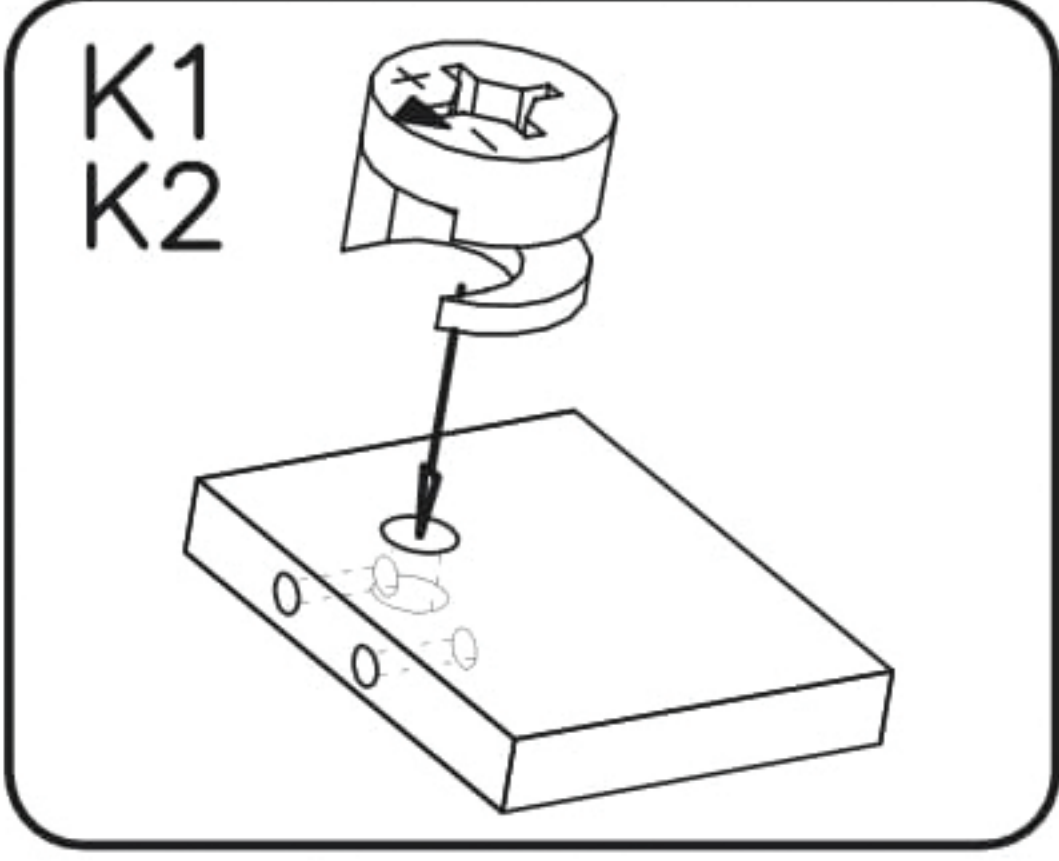
	1200				1400				1600				1800			
1	800	100	25	1	800	100	25	1	800	100	25	1	800	100	25	1
2	800	100	25	1	800	100	25	1	800	100	25	1	800	100	25	1
3	1050	160	25	1	1250	160	25	1	1450	160	25	1	1650	160	25	1
4	1050	380	25	1	1250	380	25	1	1450	380	25	1	1650	380	25	1
5	400	100	25	1	400	100	25	1	400	100	25	1	400	100	25	1
6	400	100	25	1	400	100	25	1	400	100	25	1	400	100	25	1
7	1050	160	25	1	1250	160	25	1	1450	160	25	1	1650	160	25	1
8	1050	200	25	1	1250	200	25	1	1450	200	25	1	1650	200	25	1
9	400	75	25	2	400	75	25	2	400	75	25	2	400	75	25	2
10	400	75	25	2	400	75	25	2	400	75	25	2	400	75	25	2
11	1850	160	25	2	1850	160	25	2	1850	160	25	2	1850	160	25	2
12	1900	70	20	1	1900	70	20	1	1900	70	20	1	1900	70	20	1

P2 x...(4)	P1 x...(4)	P5 x...(2)	M1 10x50 x...(40)	K2 x..(14)	K7 x...(14)	M5 8x35 x...(16)	G1 3,5x16 x...(4)
P7 x...(2)	K5 x...(16)	K1 x...(16)	N23 M8x20 x...(22)	G2 4x20 x...(8)			

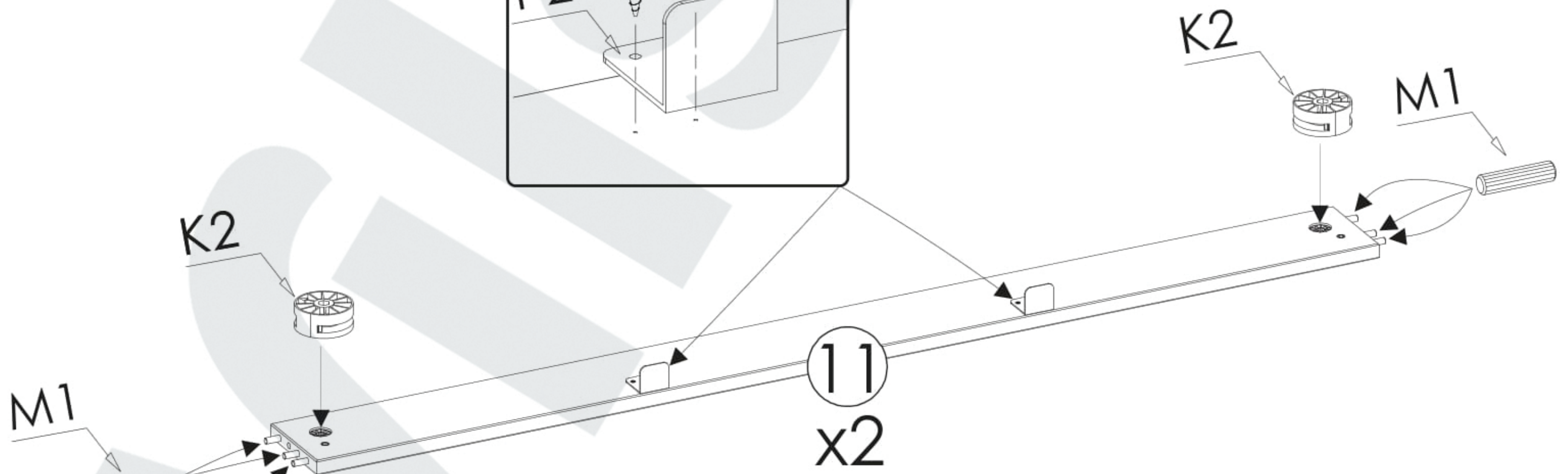
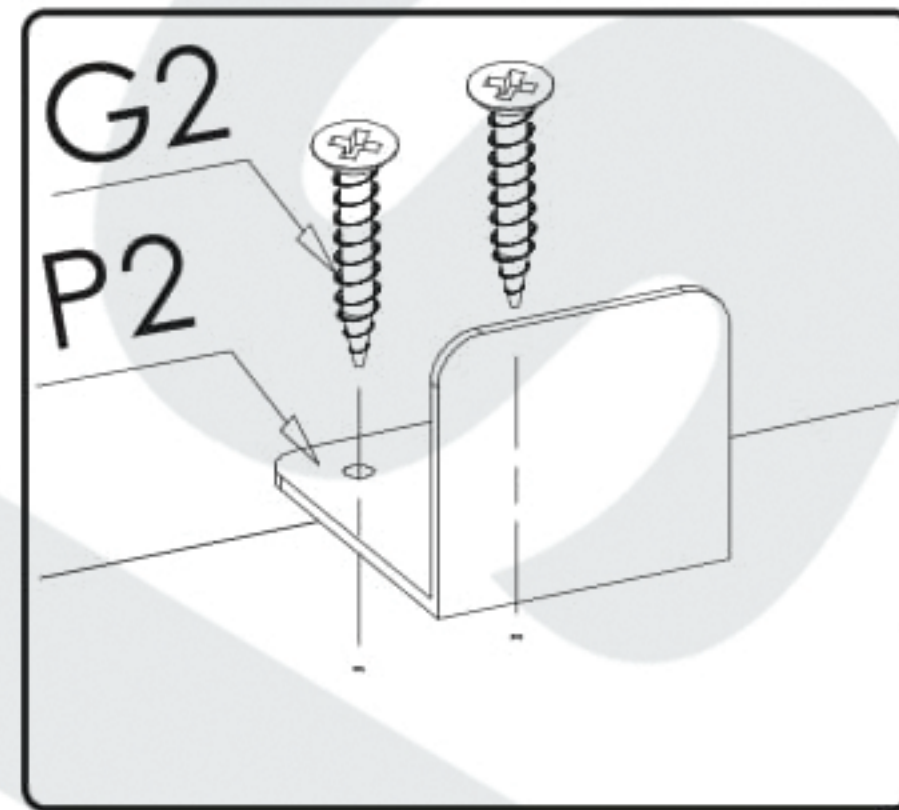
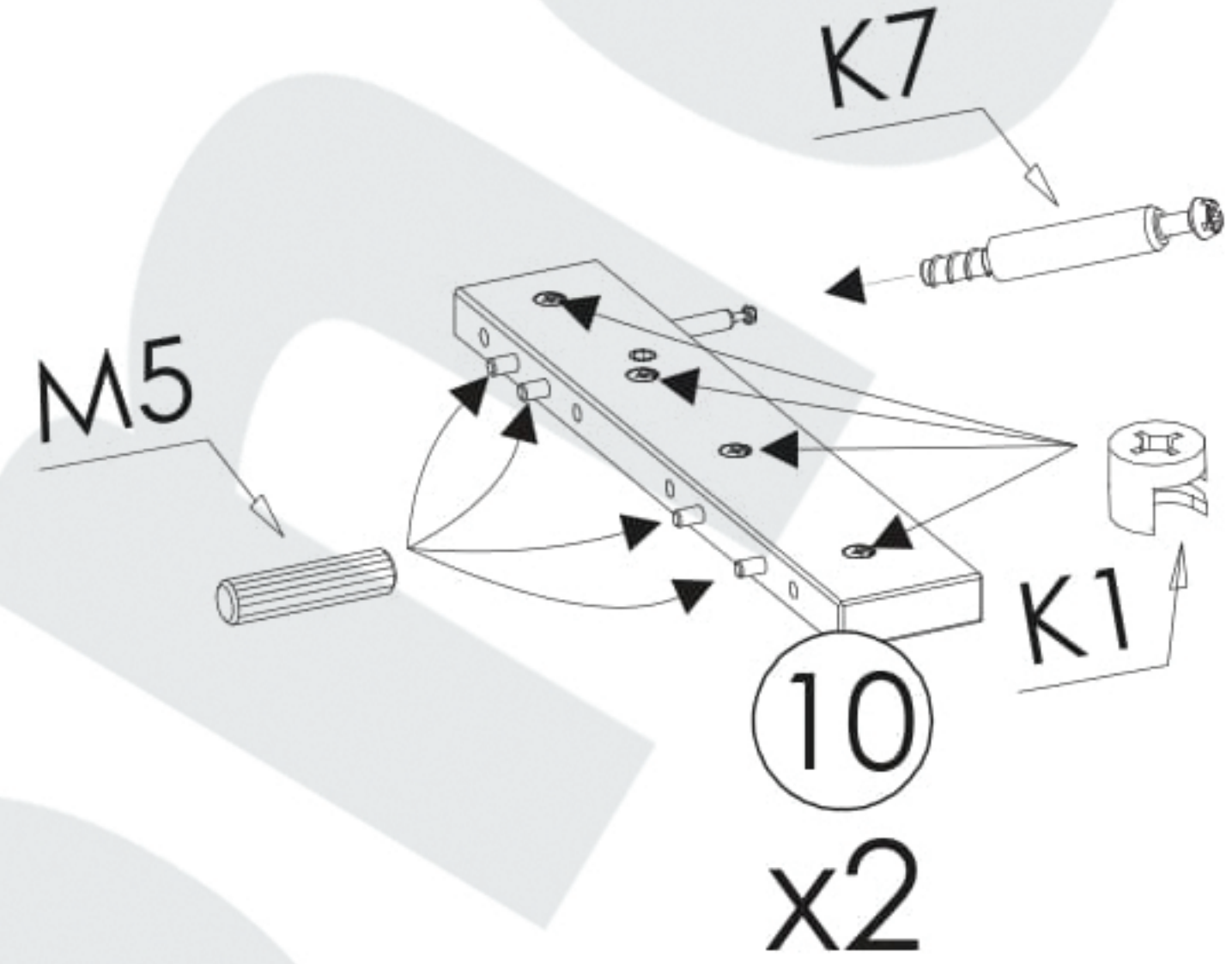
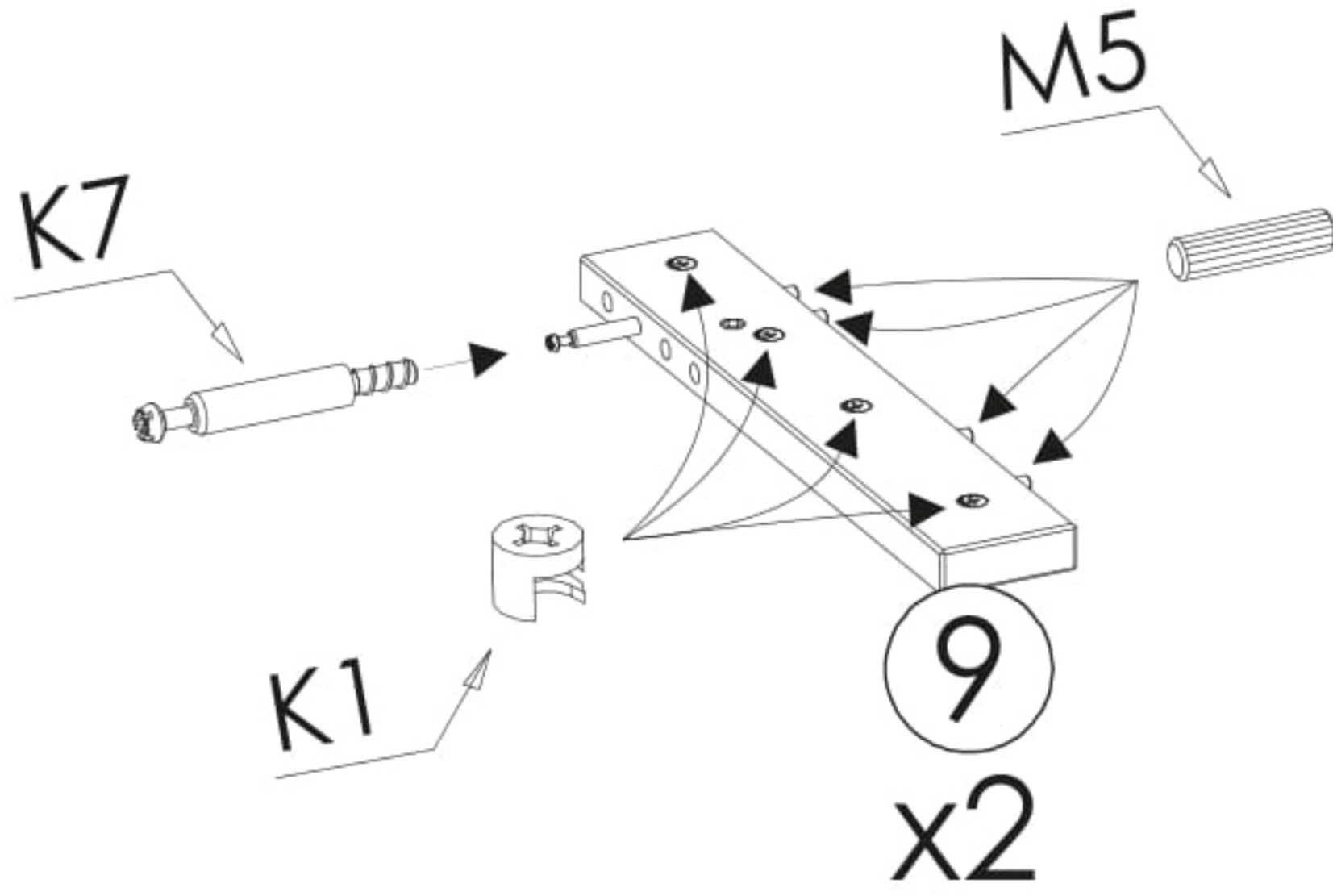
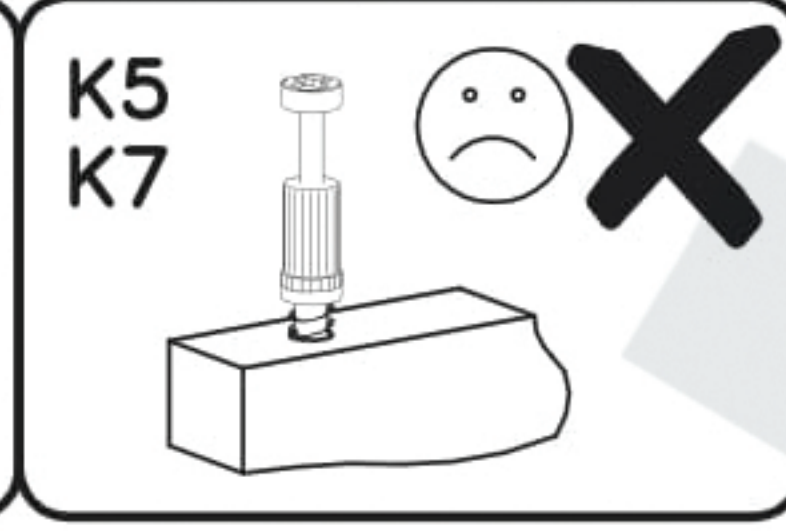
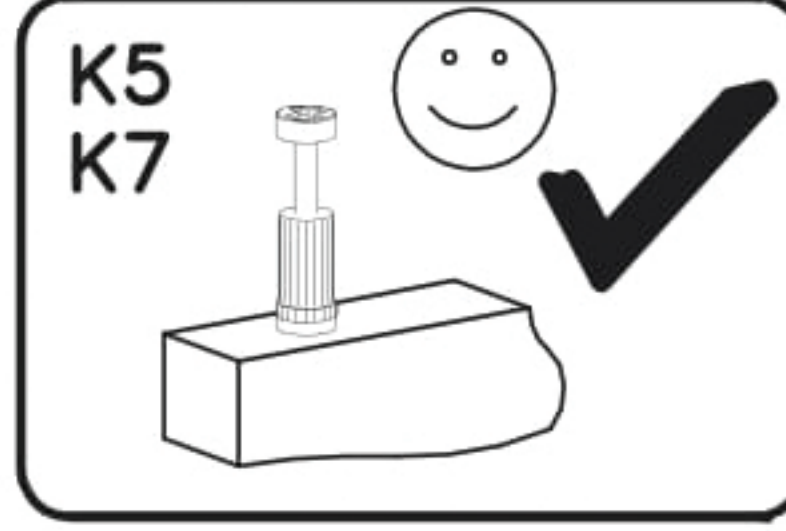
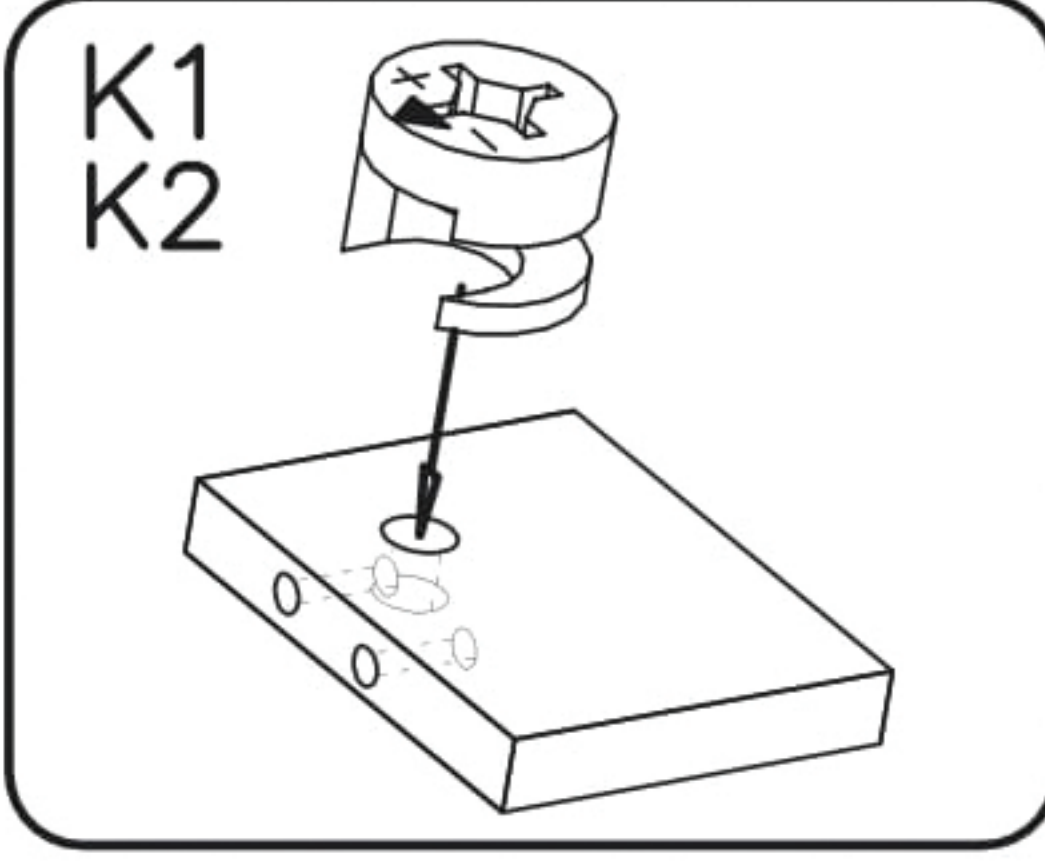
I



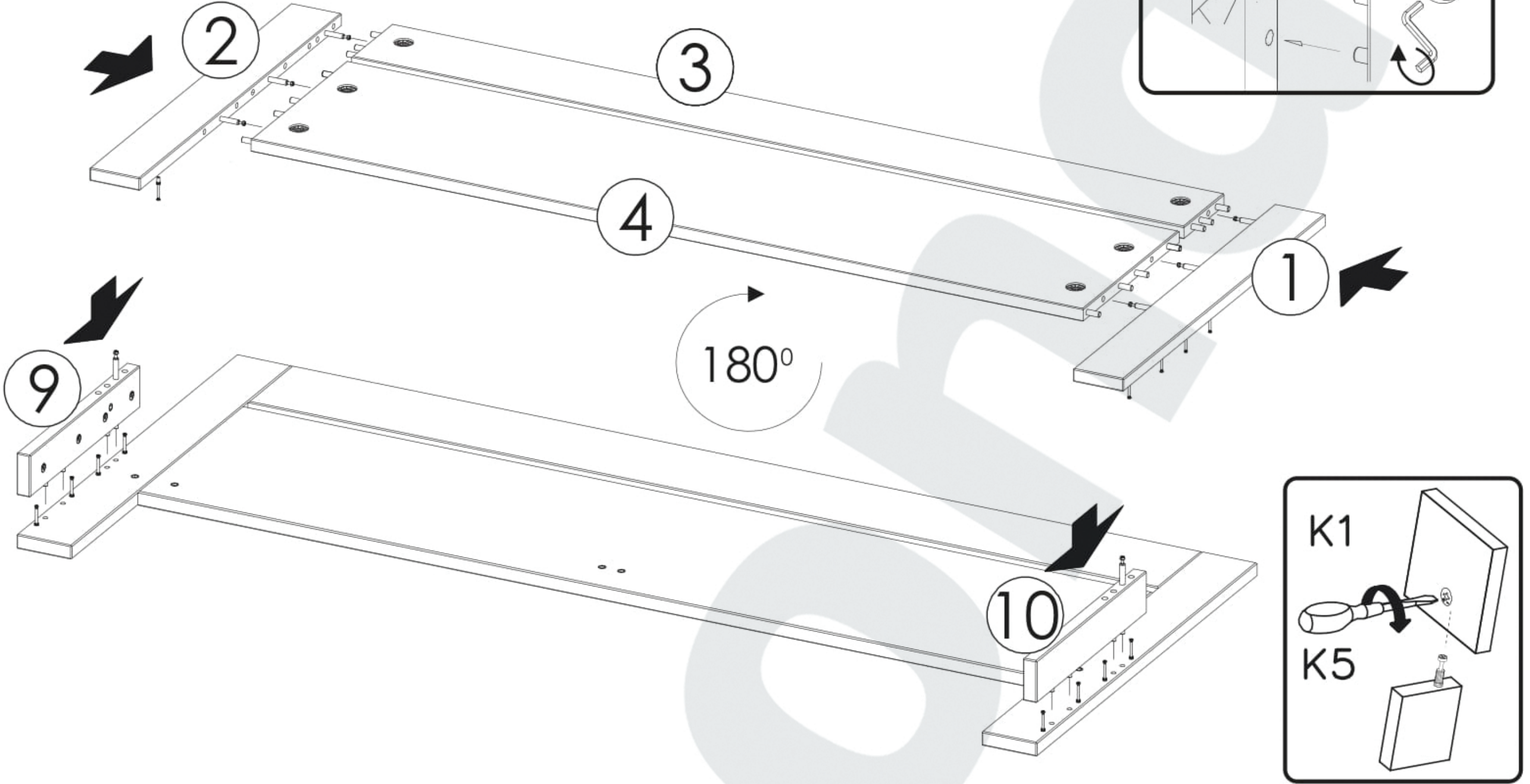
II



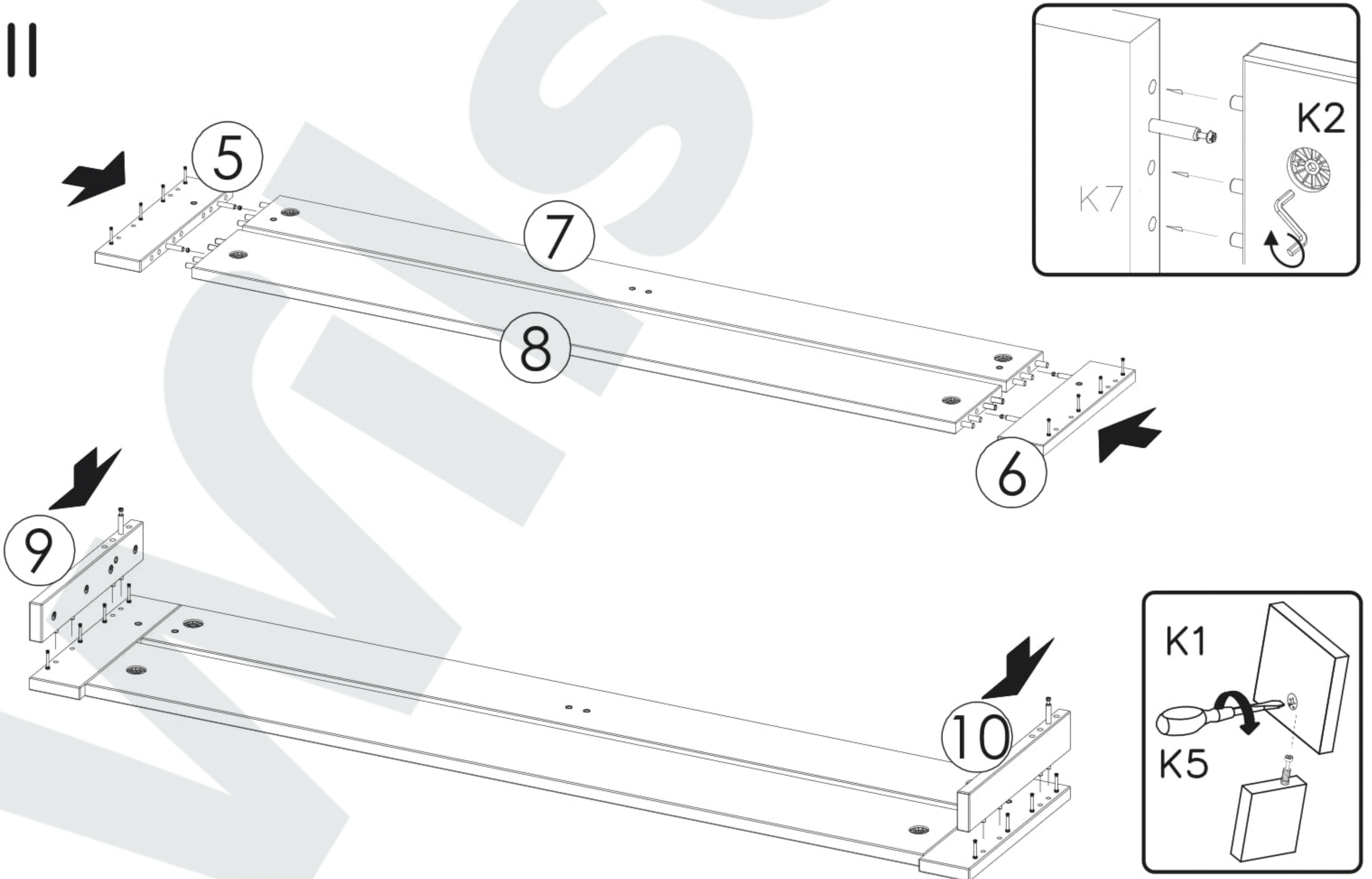
II



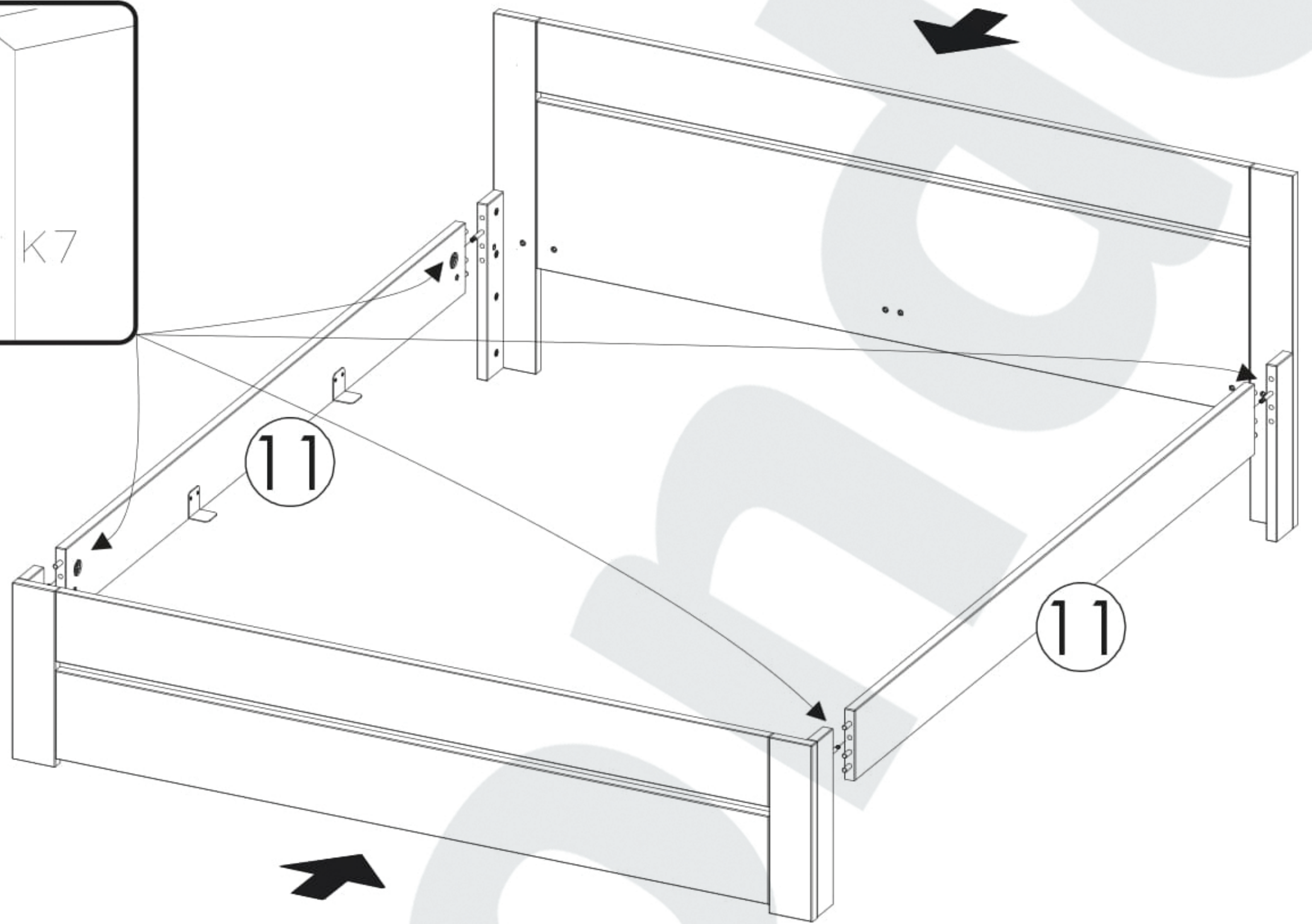
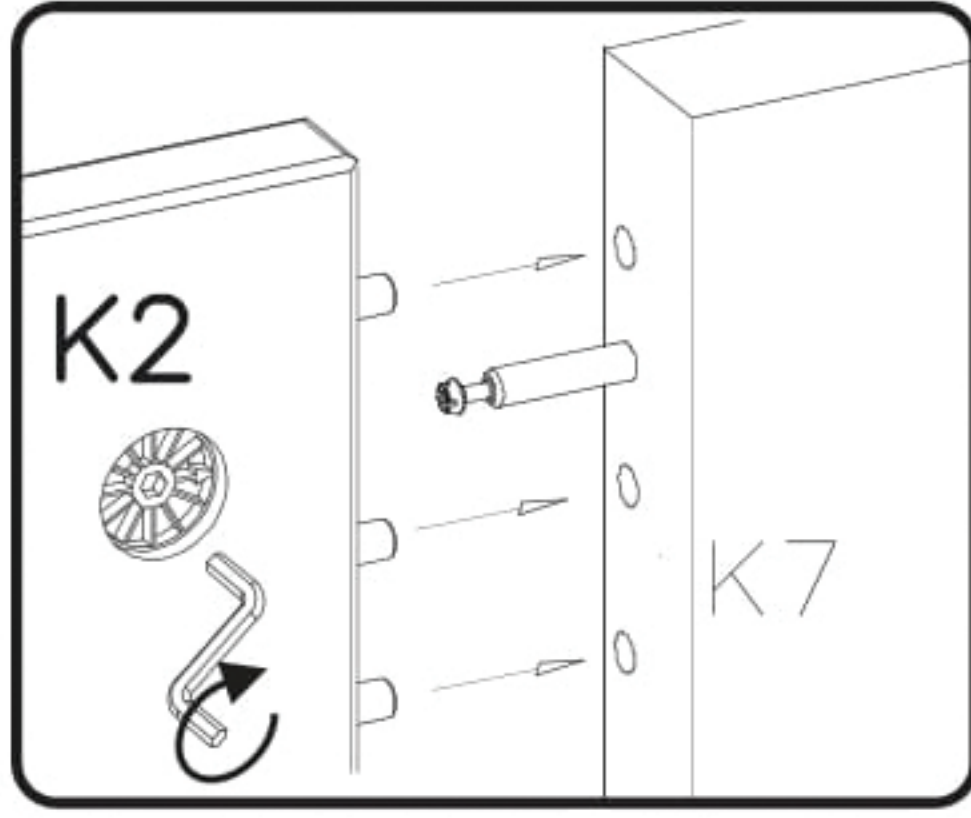
II



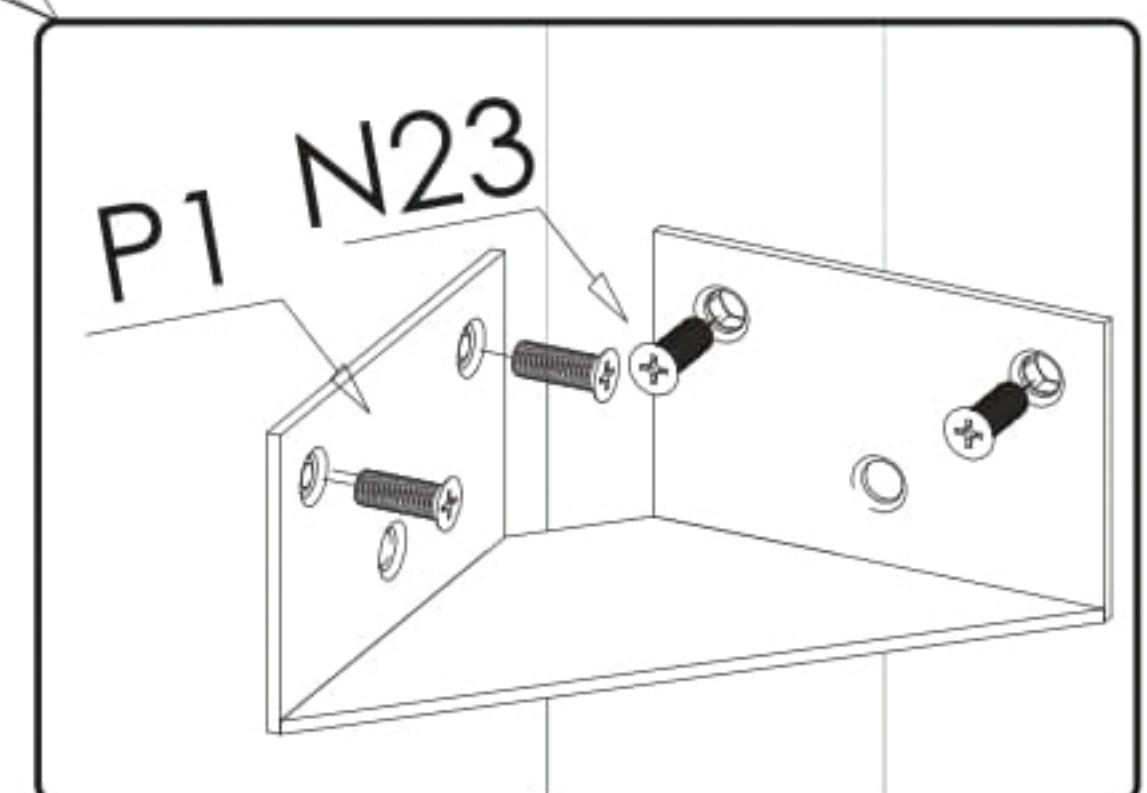
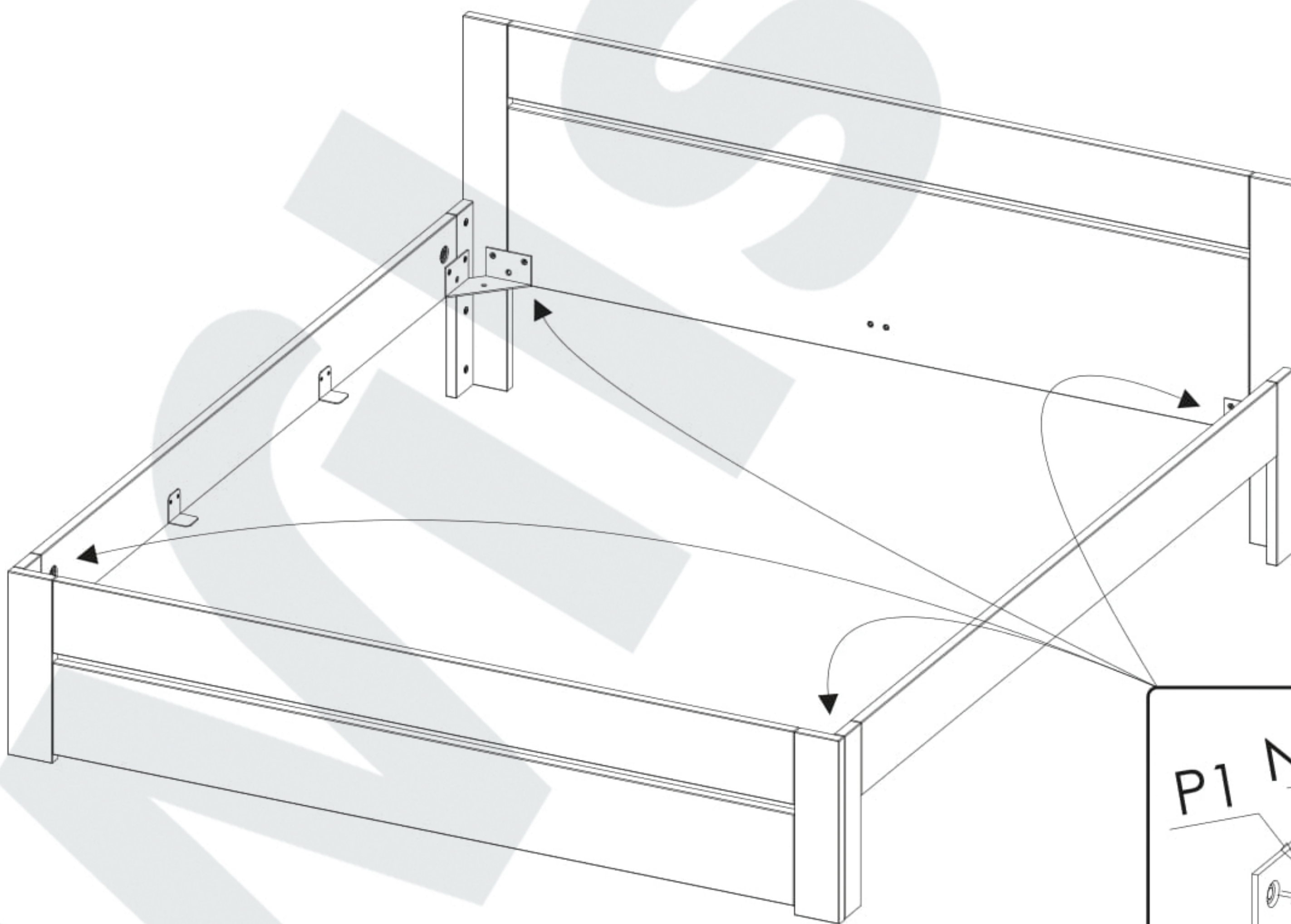
III



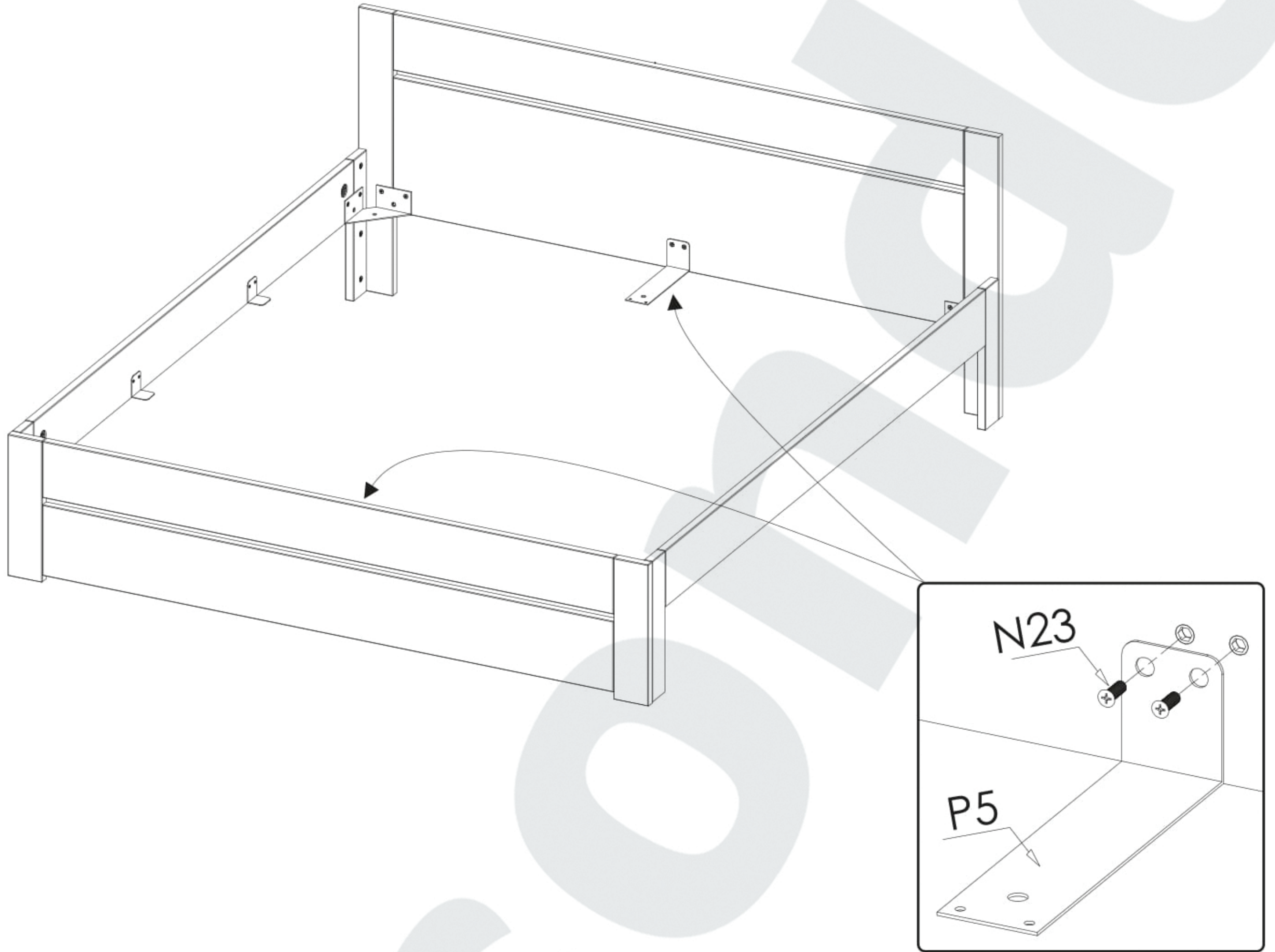
IV



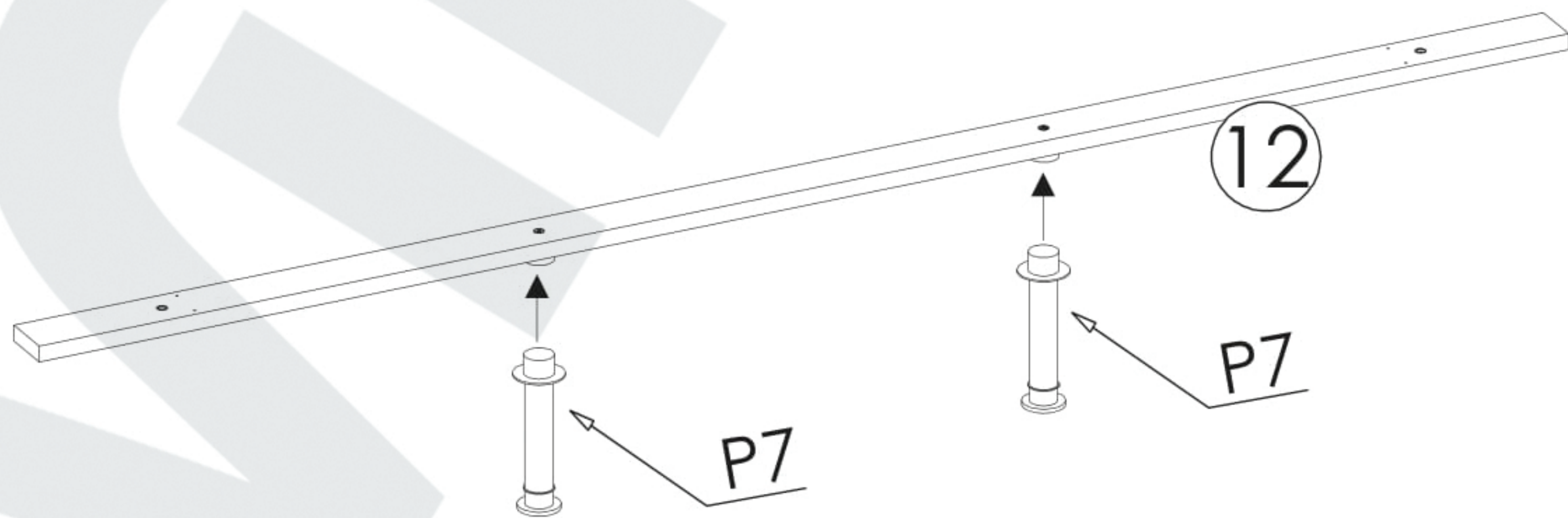
V



VI



VII



VIII

