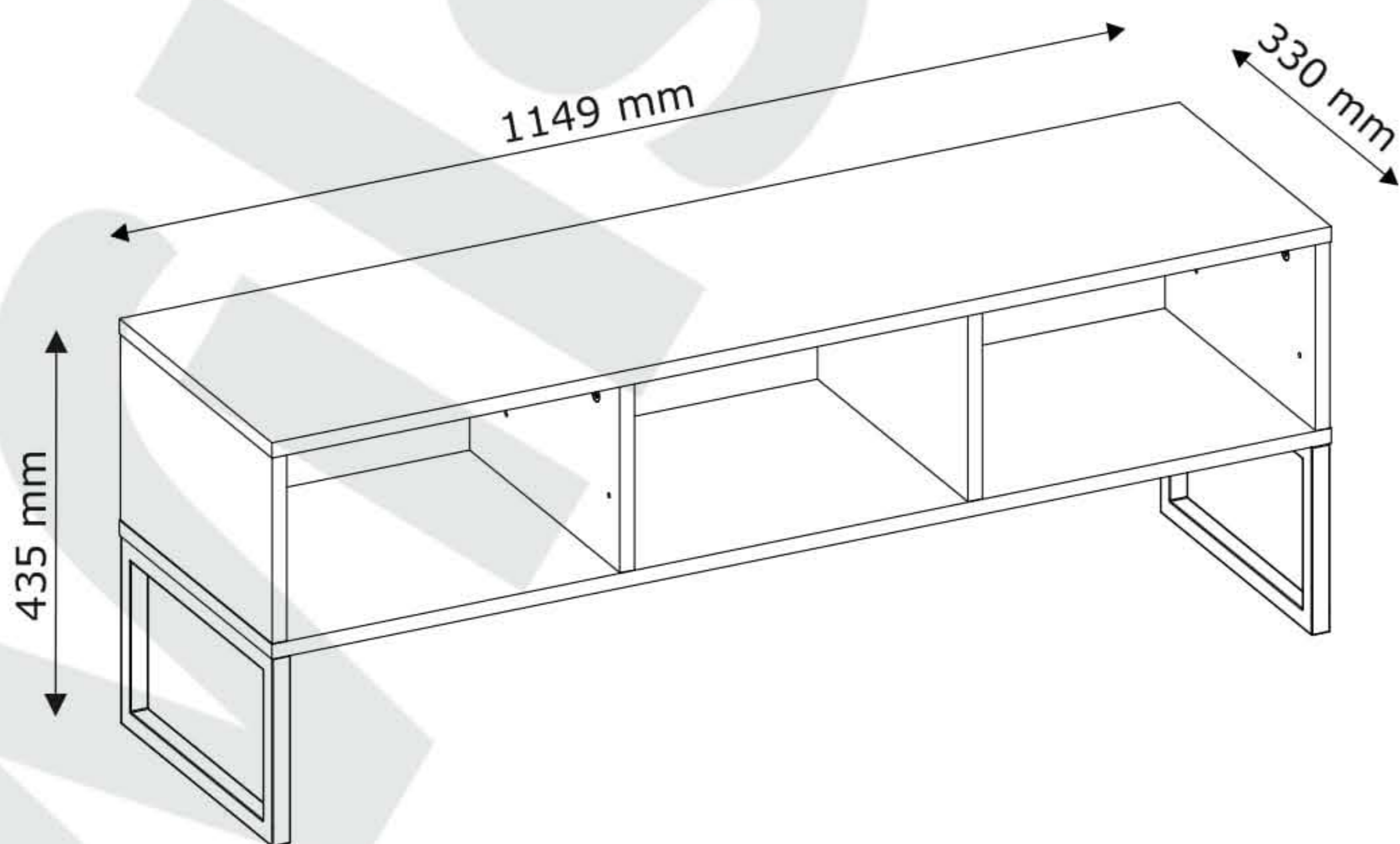
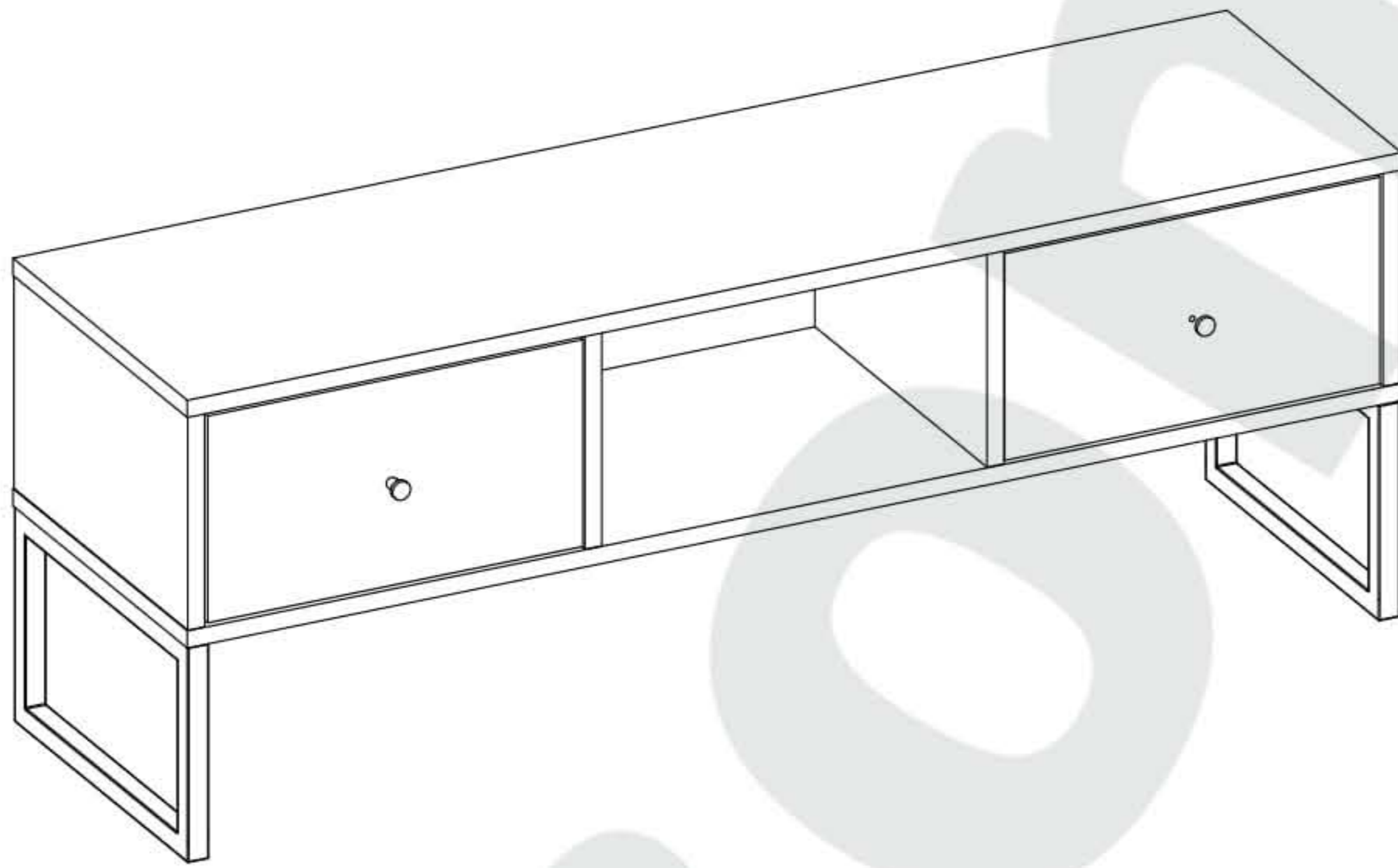
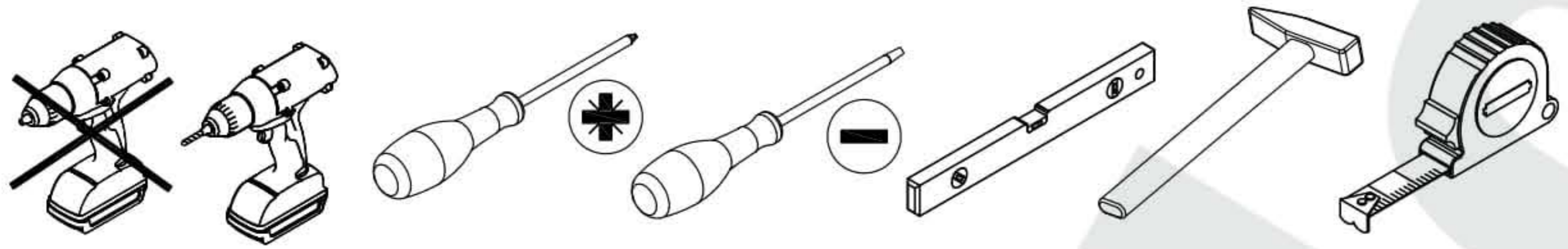


# Linea 7 Rtv 2S

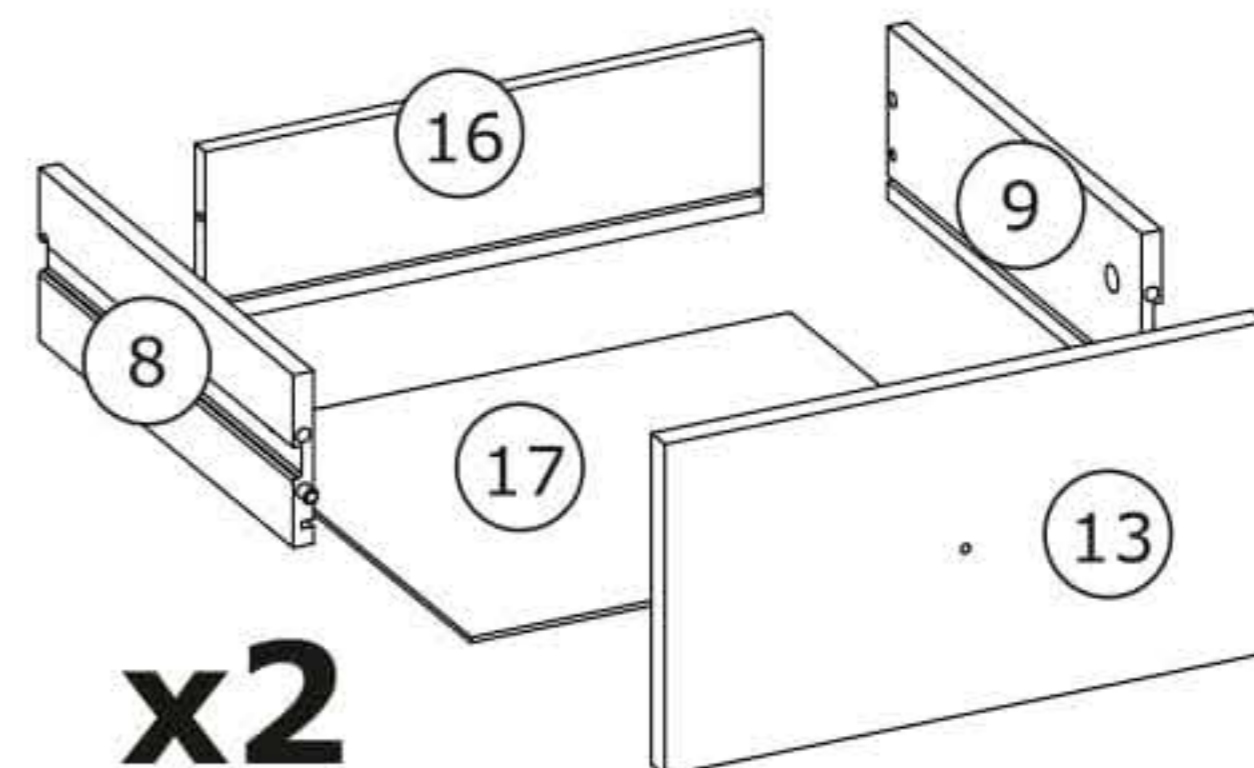
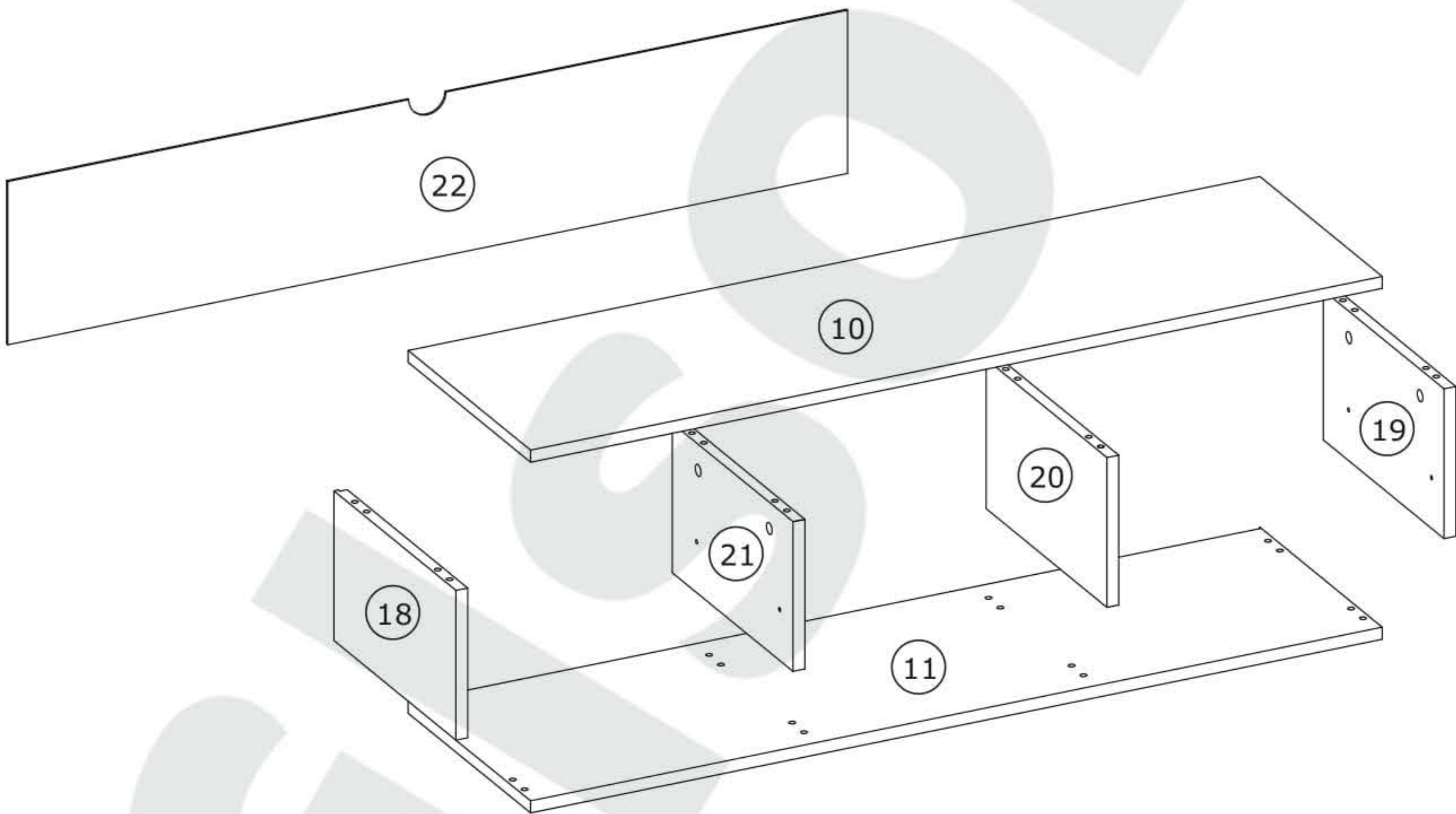
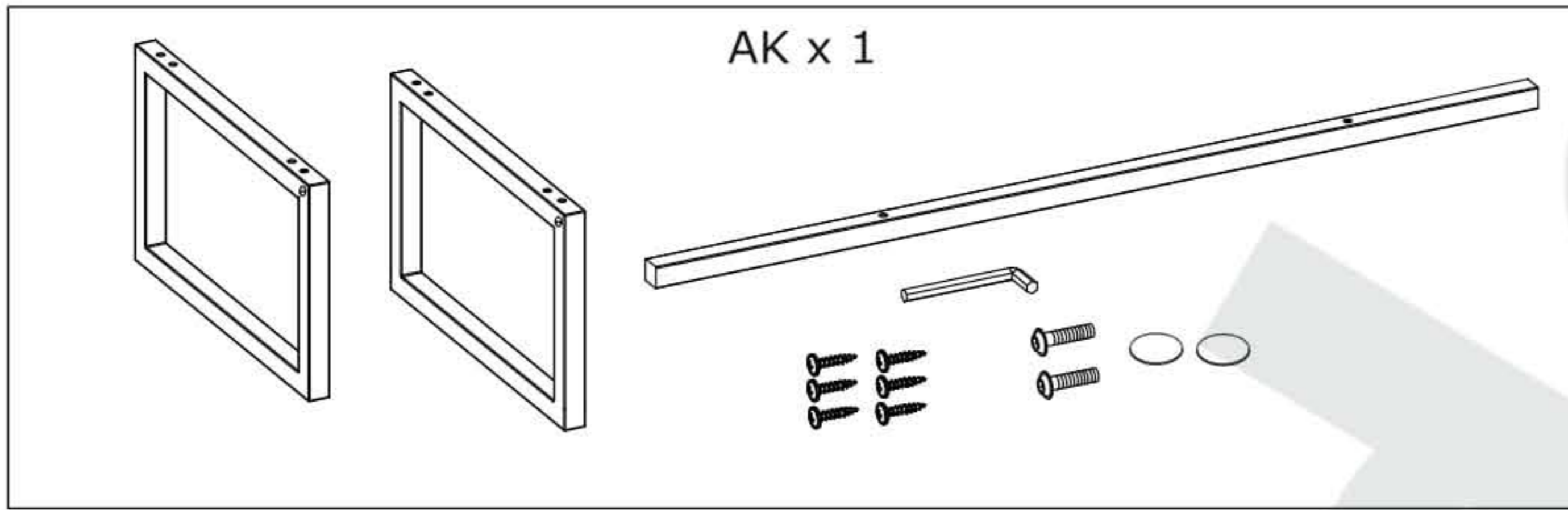






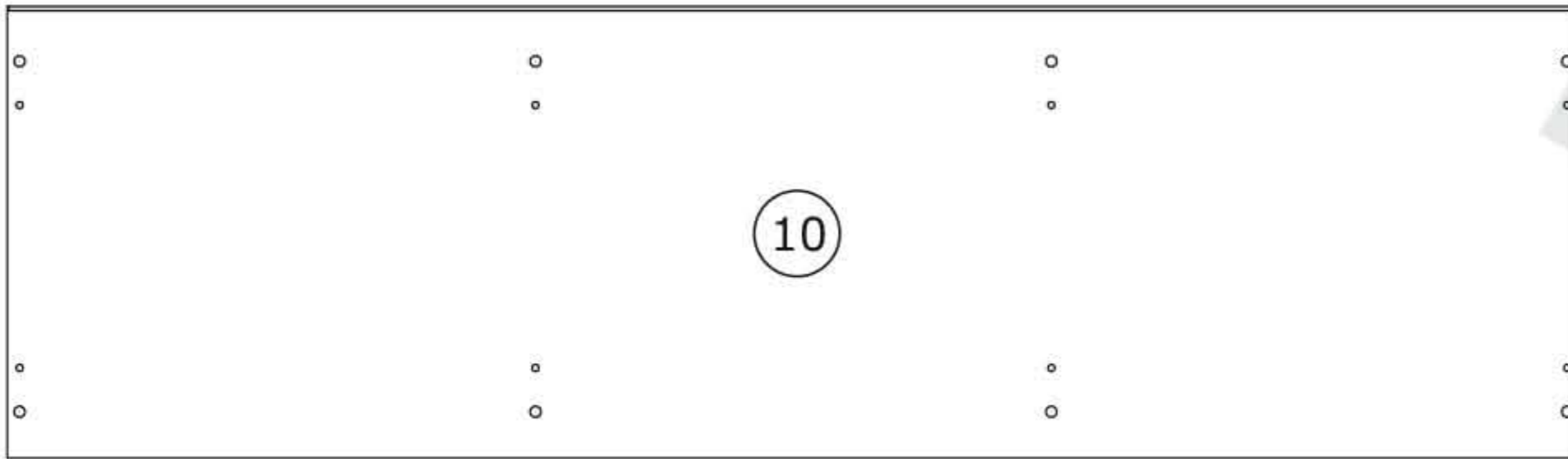
|  |  |   |   |
|--|--|---|---|
| <p>A x 16</p>  <p>Ø8x35 mm</p>    | <p>A1 x 4</p>  <p>Ø6x30 mm</p>    | <p>B x 12</p>  <p>Ø7x50 mm</p> | <p>C x 8</p>  <p>Ø15x12 mm</p>   |
| <p>C1 x 4</p>  <p>Ø12x10 mm</p> | <p>D x 12</p>  <p>Ø5x44 mm</p>  | <p>E x 1</p>  <p>4 mm</p>    | <p>F x 8</p>  <p>20 mm</p>     |
| <p>F1 x 4</p>  <p>20 mm</p>     | <p>G x 20</p>  <p>1,2x25 mm</p> | <p>I x 1</p>                 | <p>J x 1</p>  <p>3,5x16 mm</p> |
| <p>M x 8</p>  <p>Ø6,3x13 mm</p> | <p>N1 x 4</p>  <p>278 mm</p>   |   | <p>P x 2</p>                   |
| <p>Q x 4</p>  <p>4x9 mm</p>     |  |   |   |



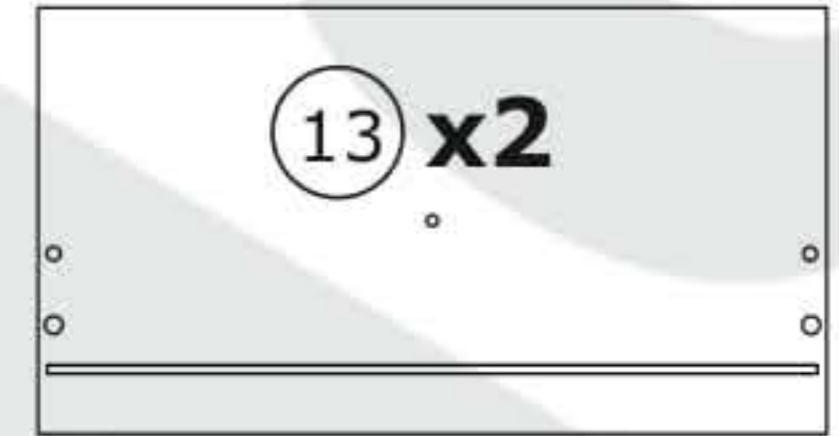




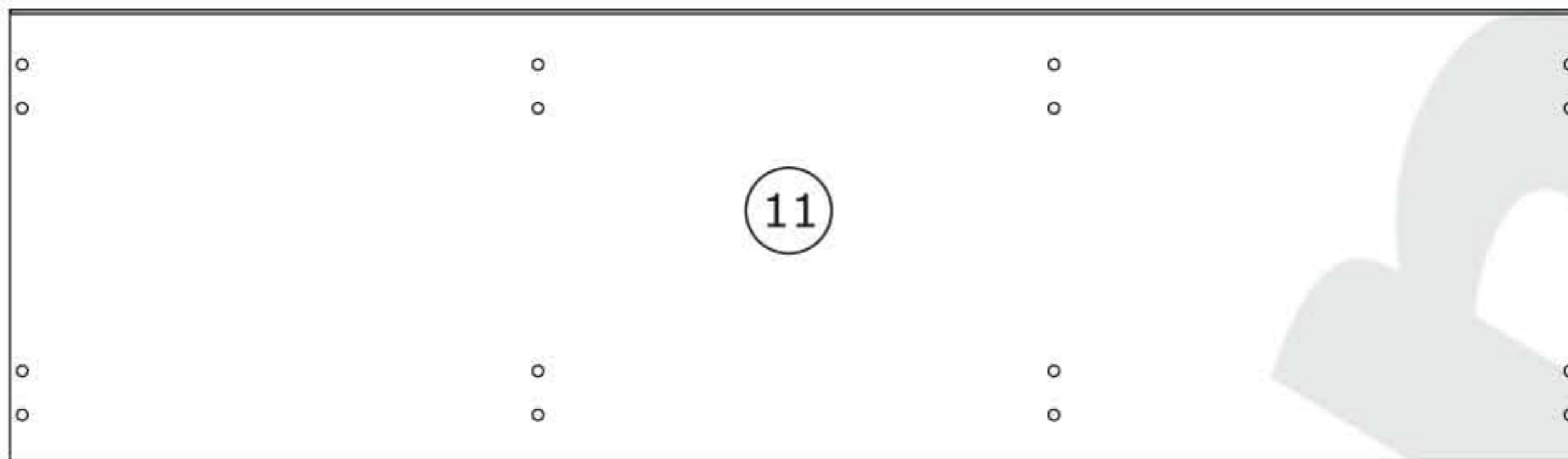
# BOX 1/1:



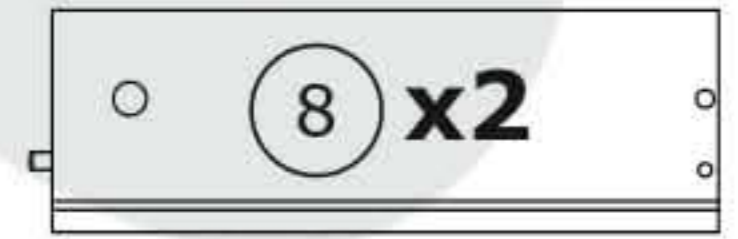
1149x330x16 mm



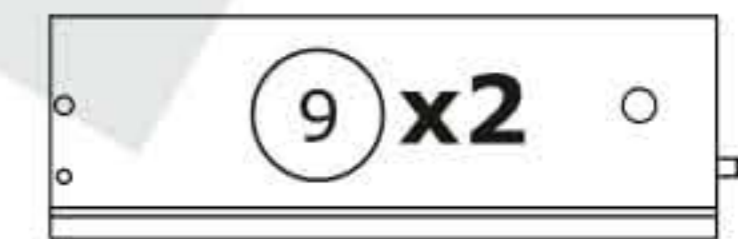
355x192x16 mm



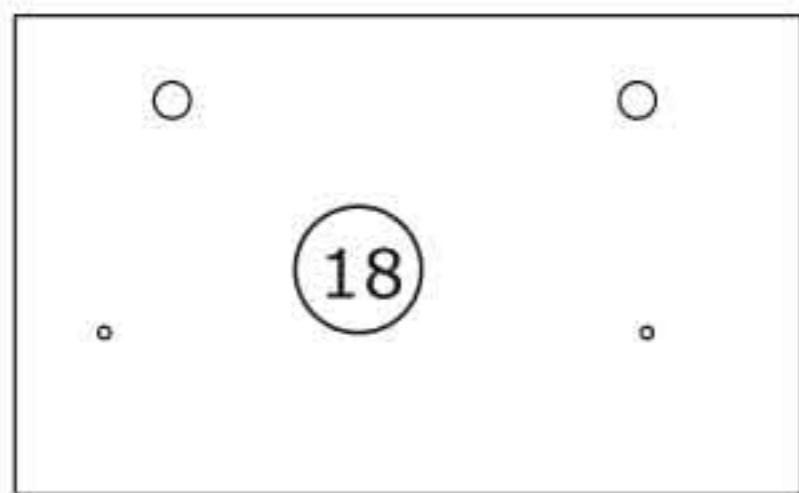
1149x330x16 mm



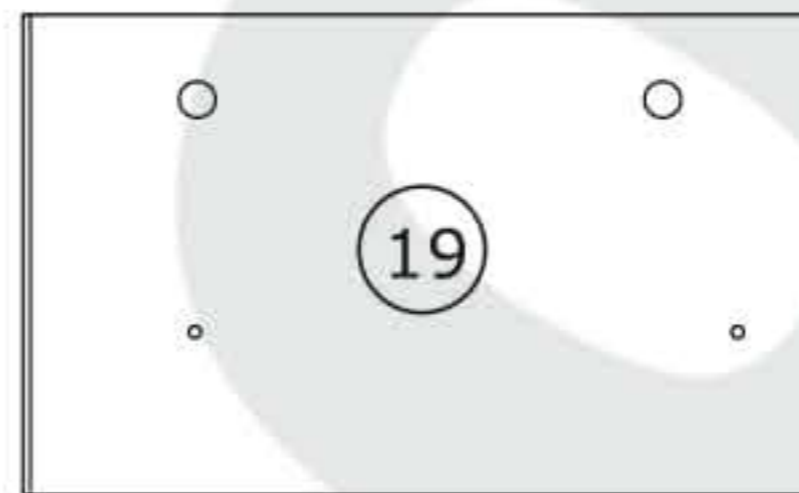
300x100x12 mm



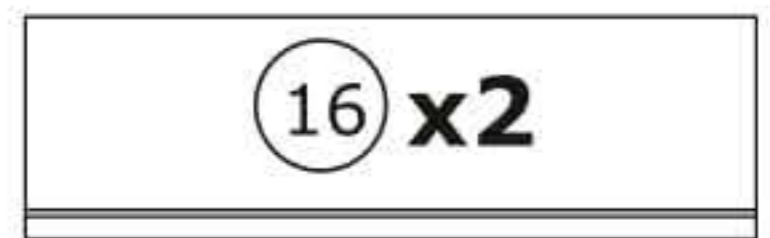
300x100x12 mm



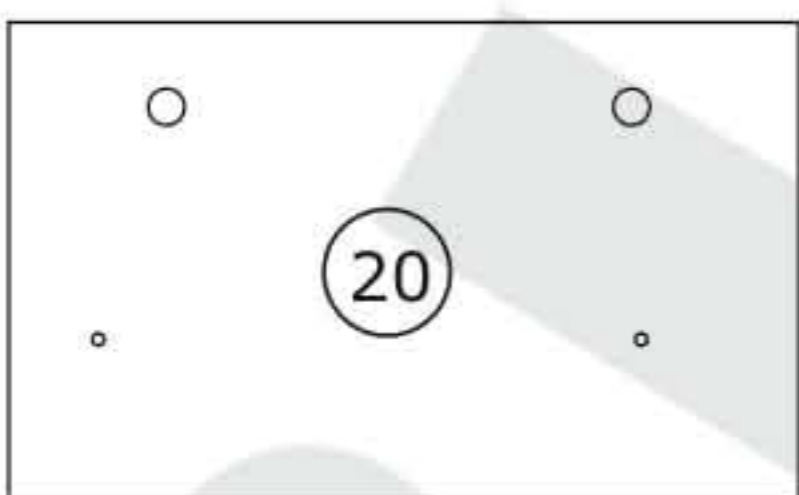
198x329x16 mm



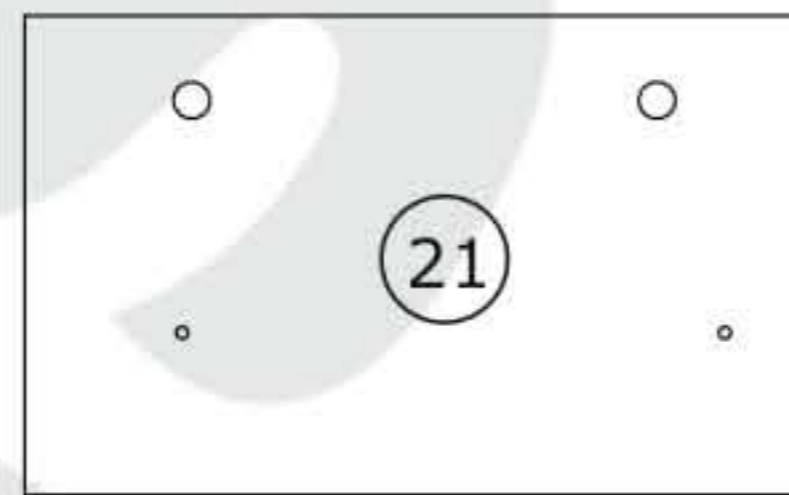
198x329x16 mm



329x100x12 mm



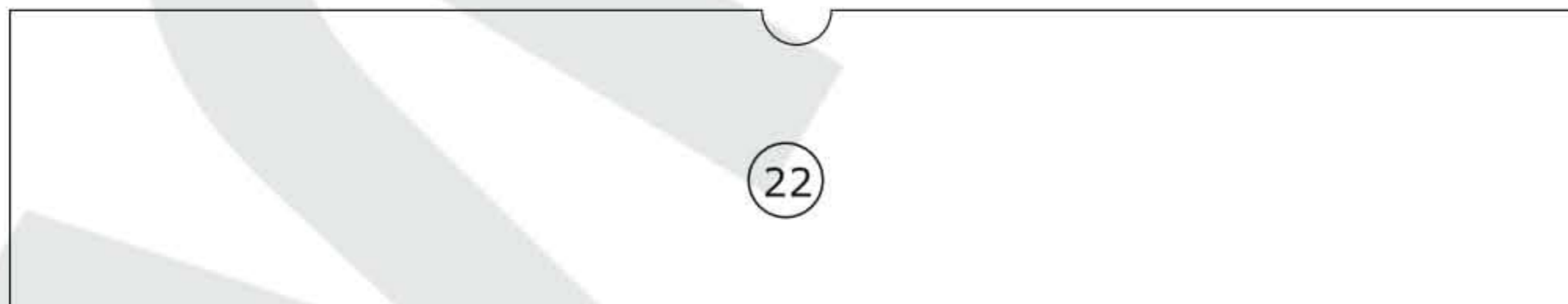
198x326x16 mm



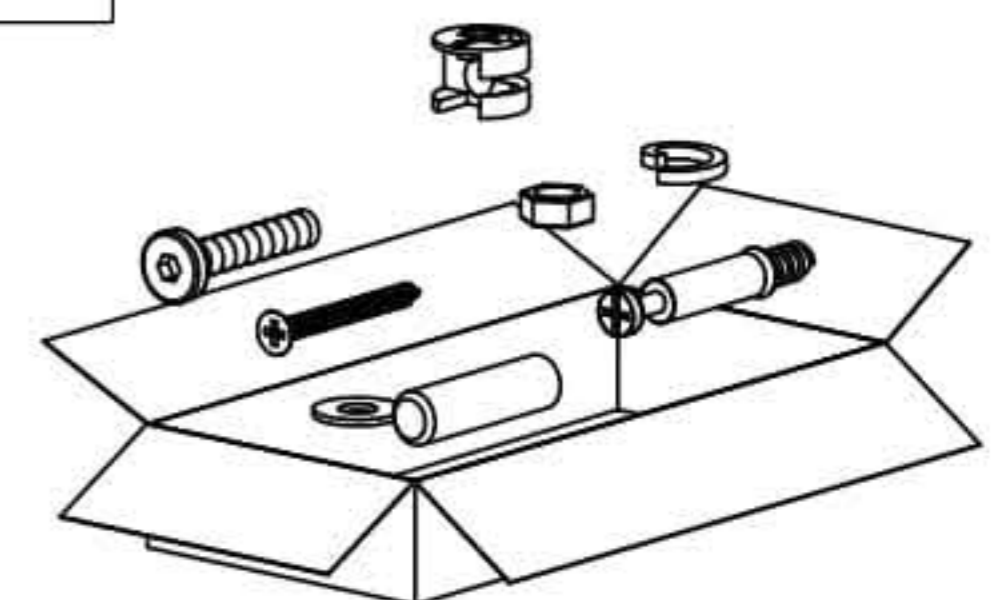
198x326x16 mm



339x301x2,5 mm



1133x216x2,5 mm



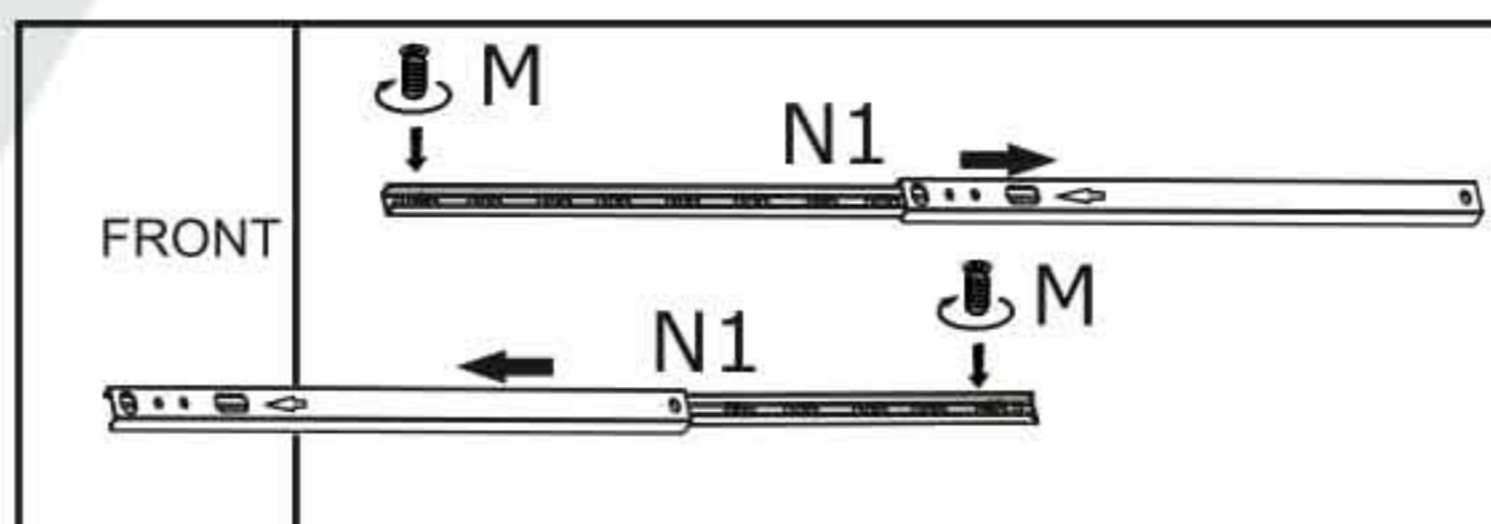
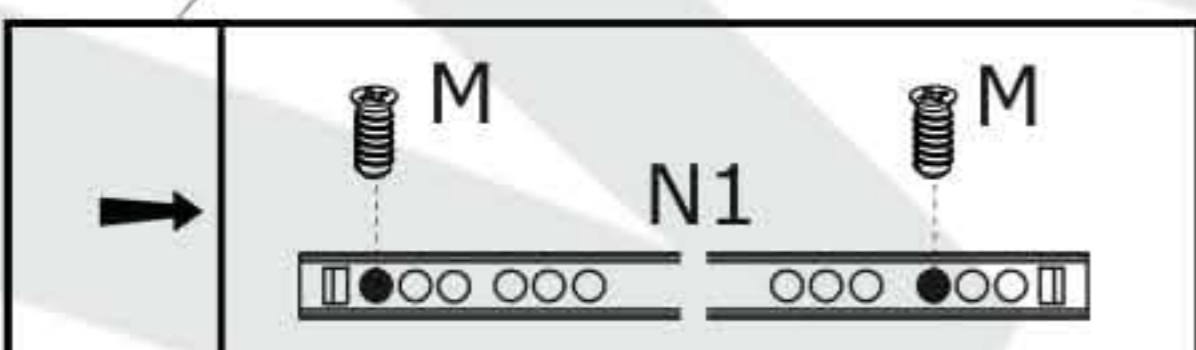
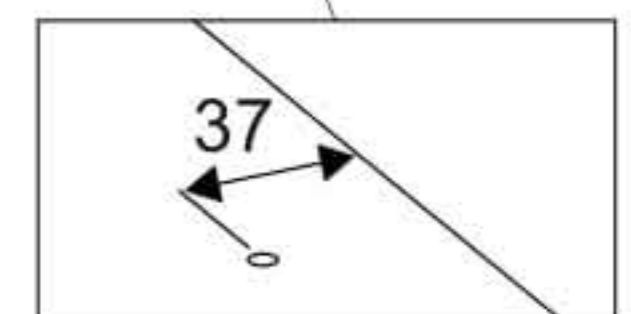
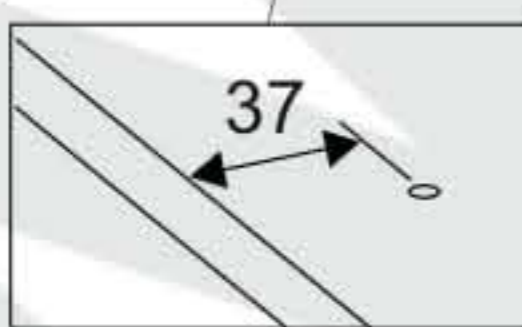
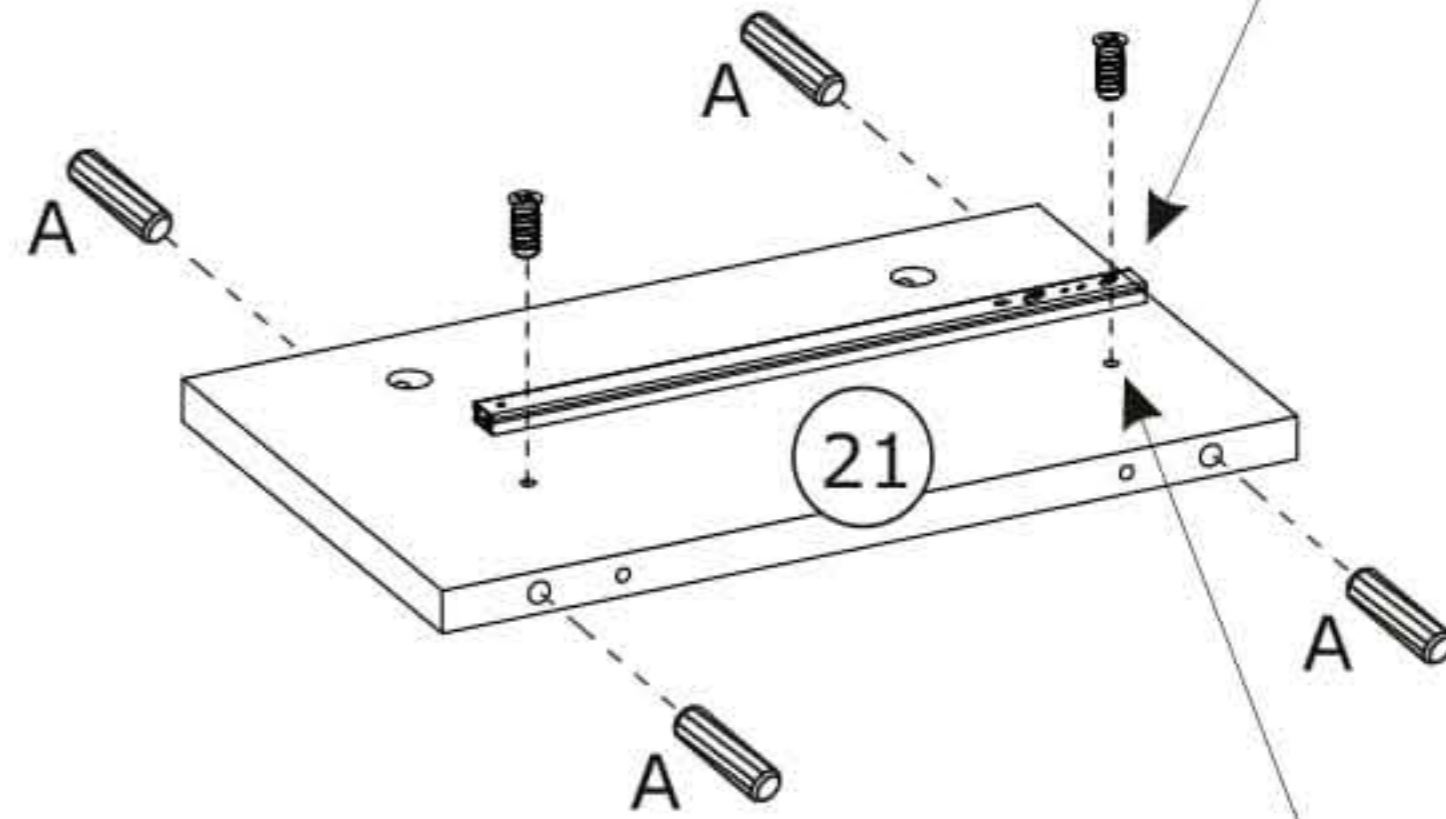
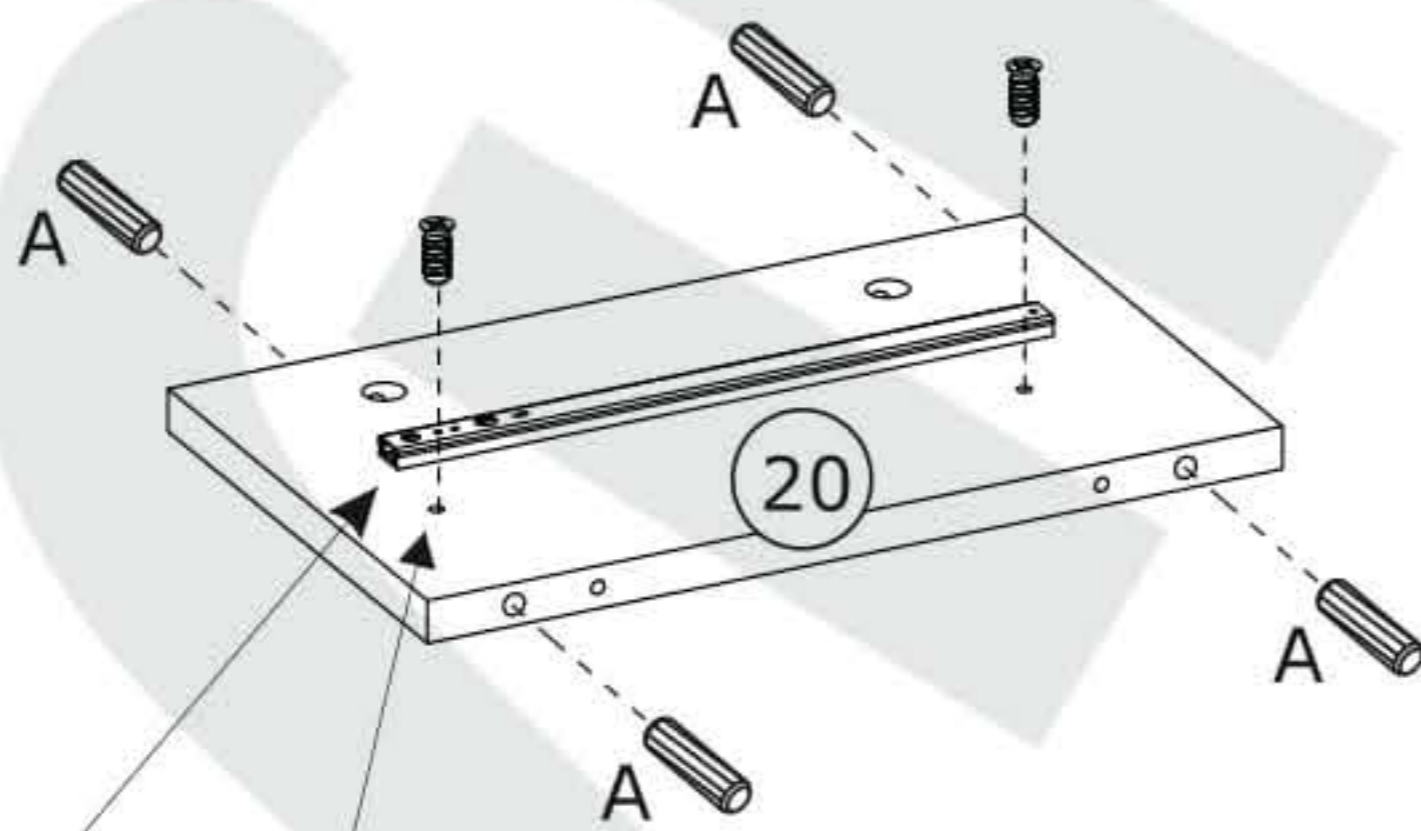
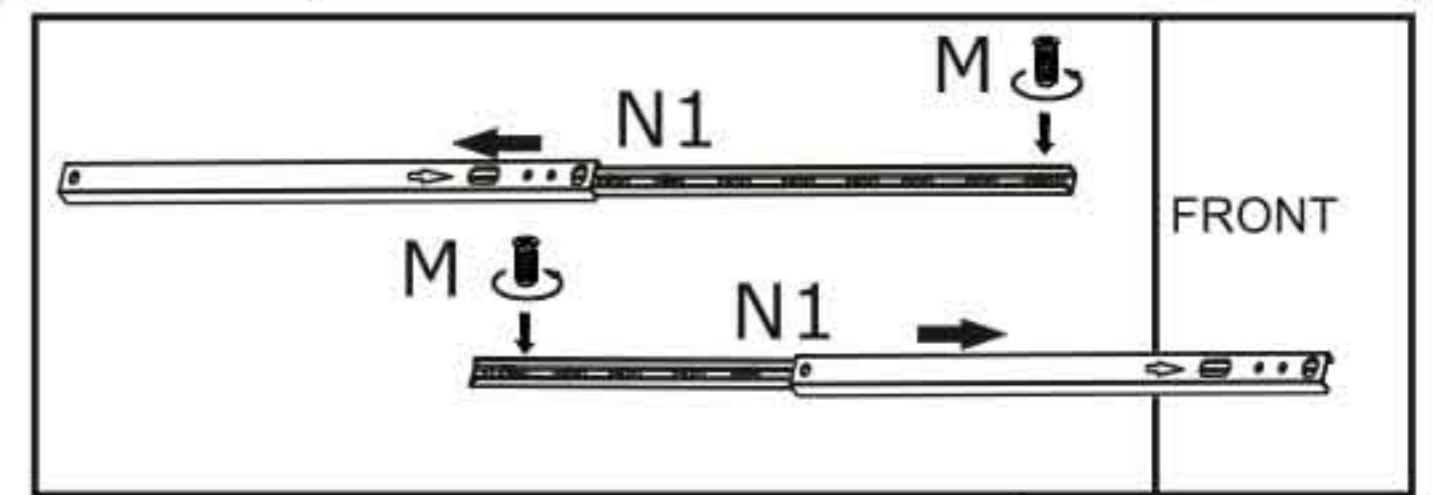
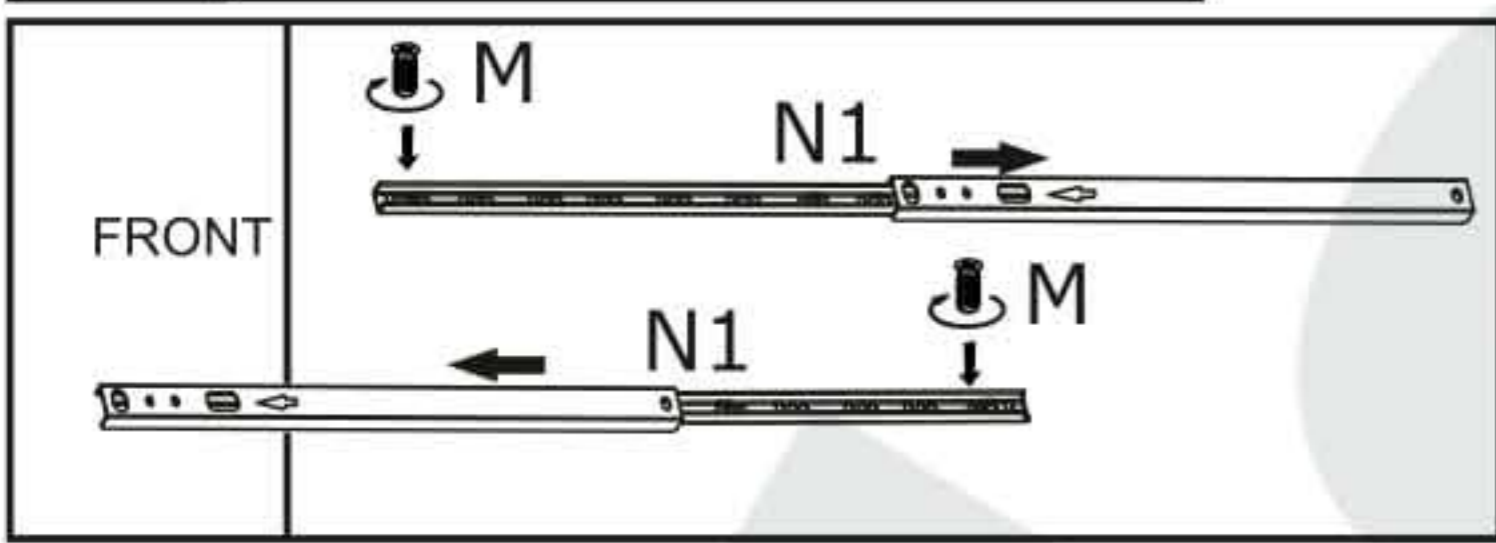
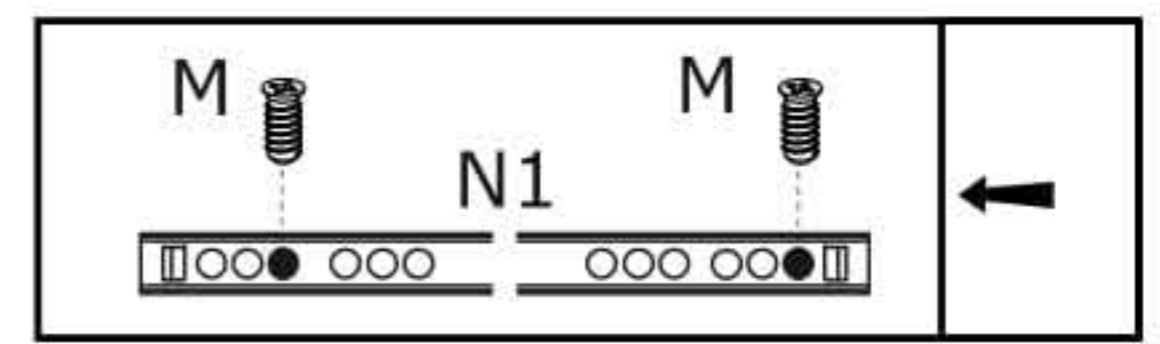
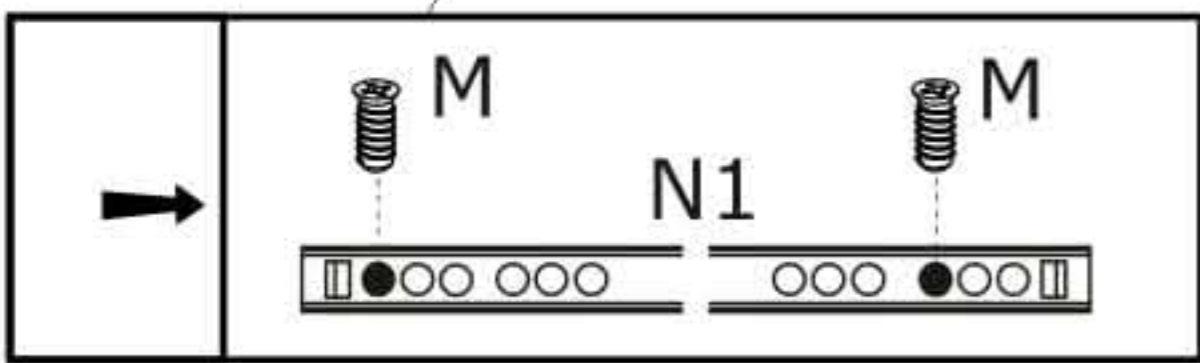
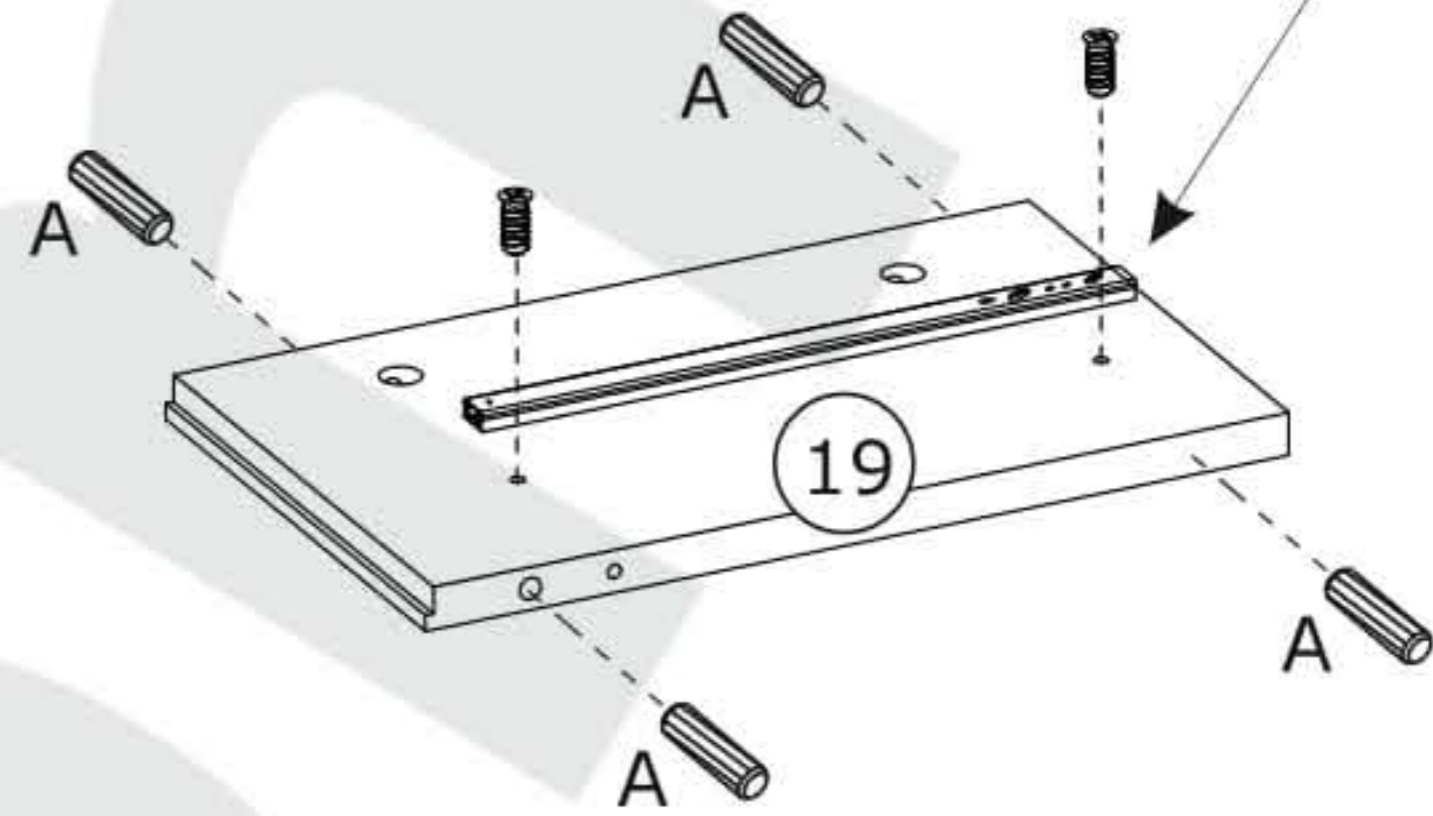
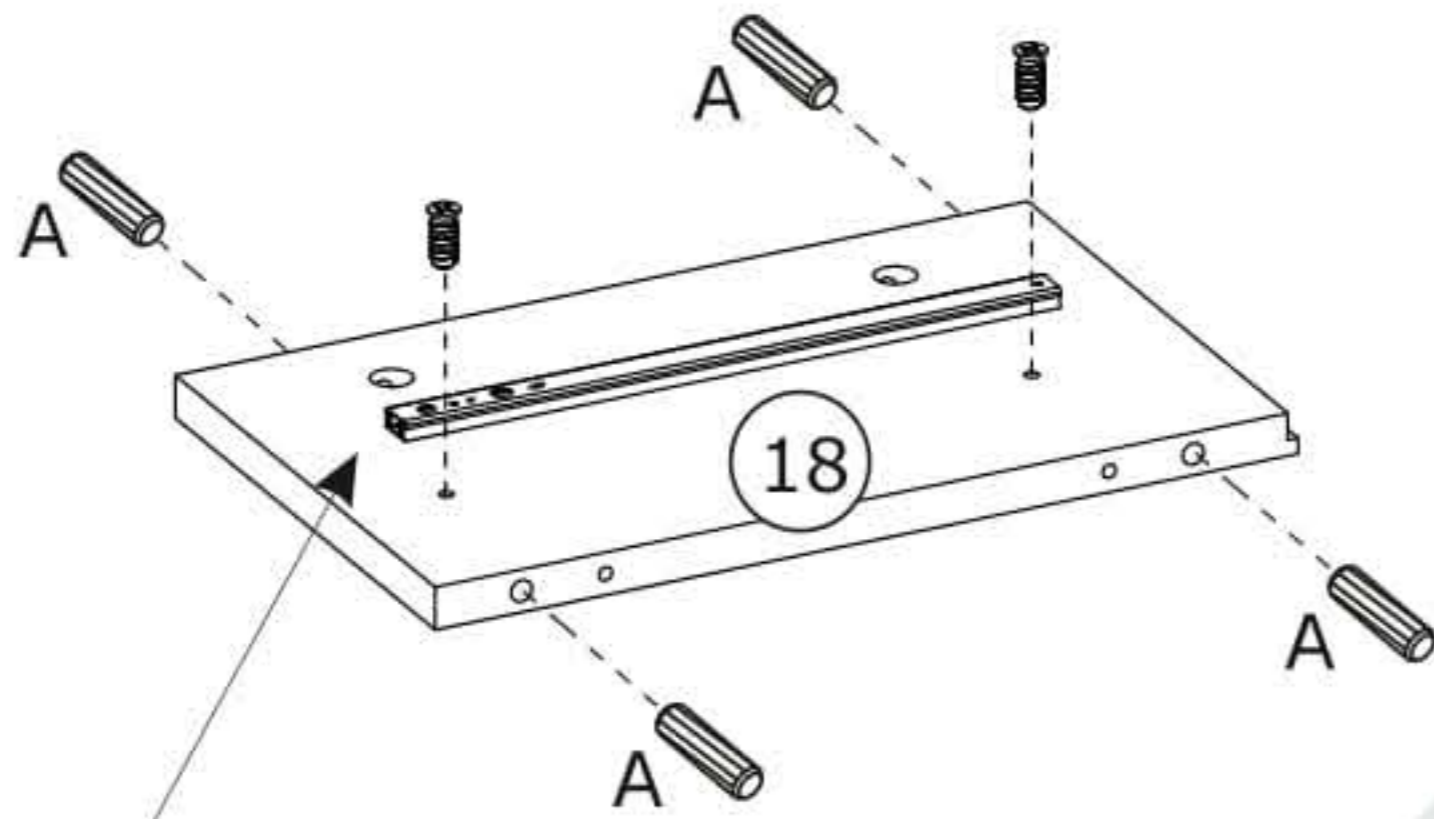
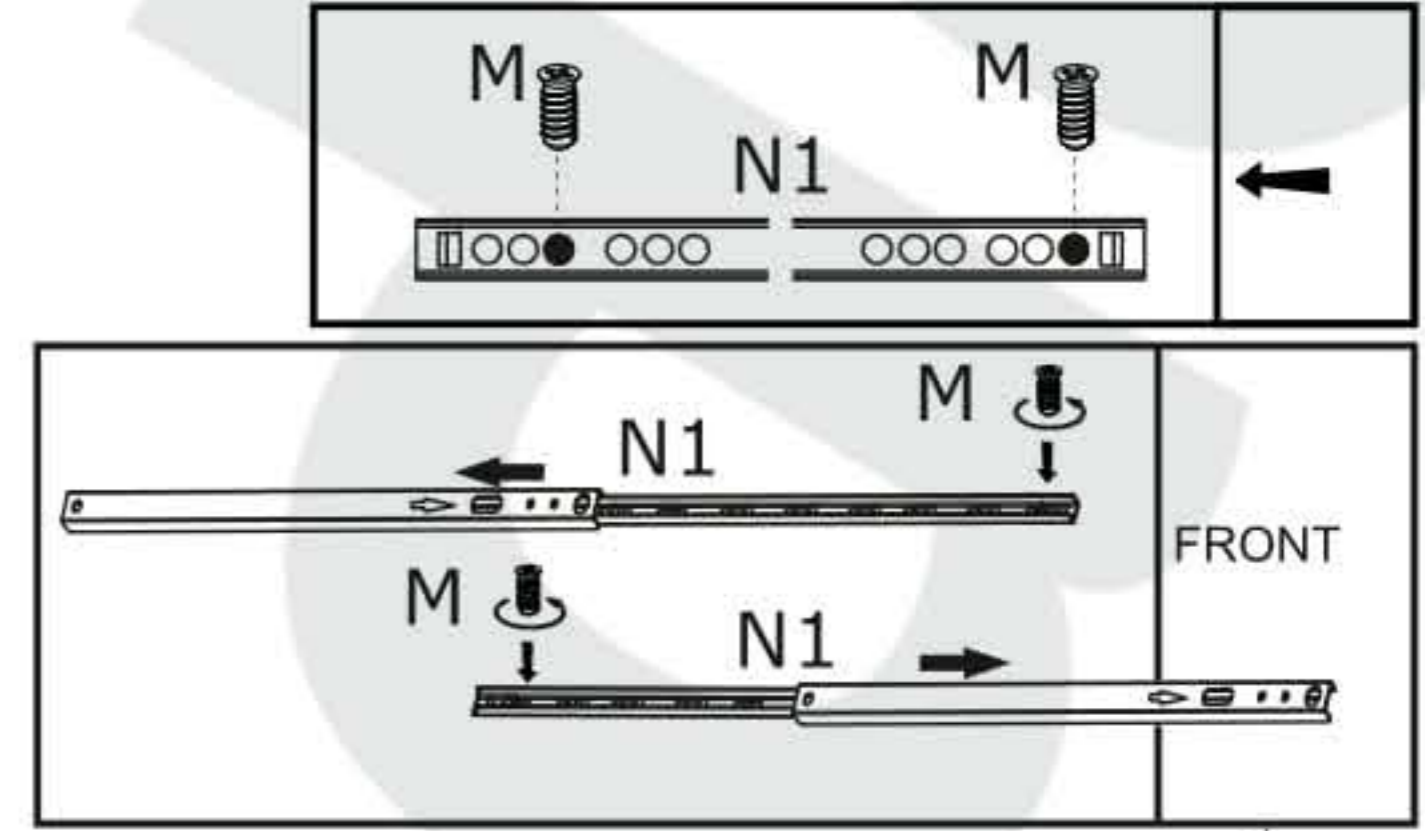
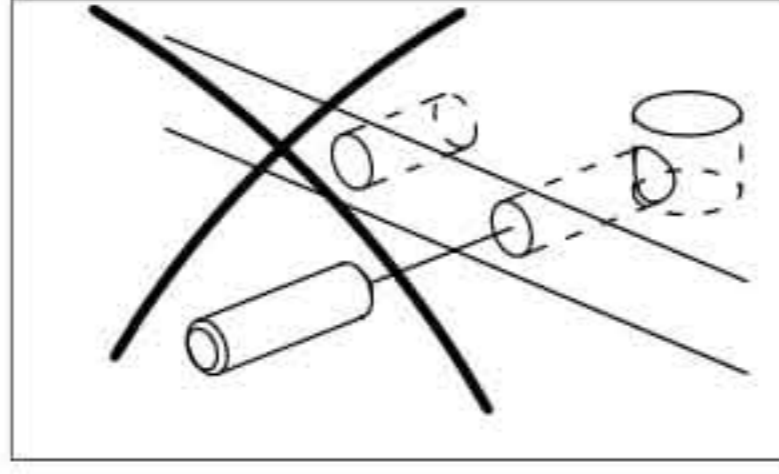
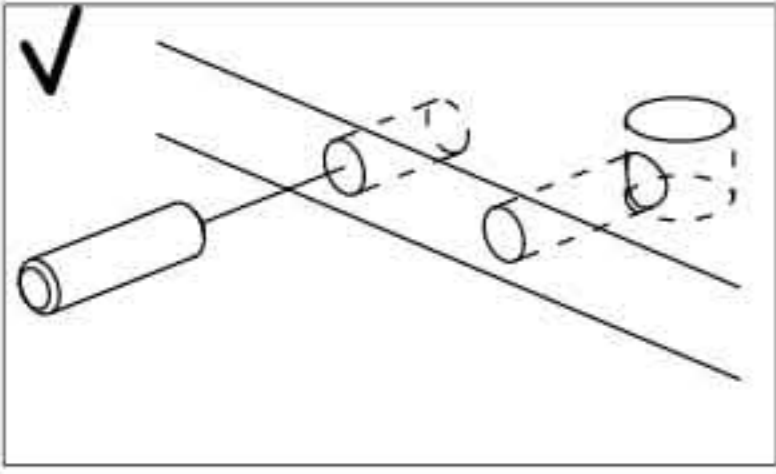
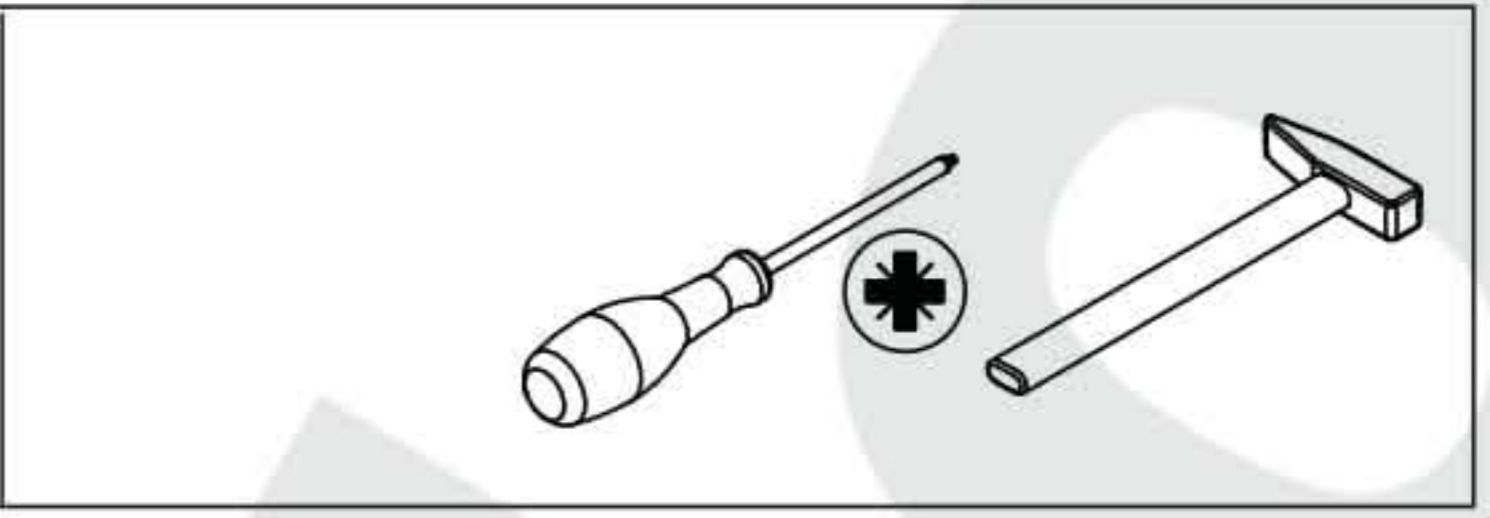


1

A x 16  
Ø8x35 mm

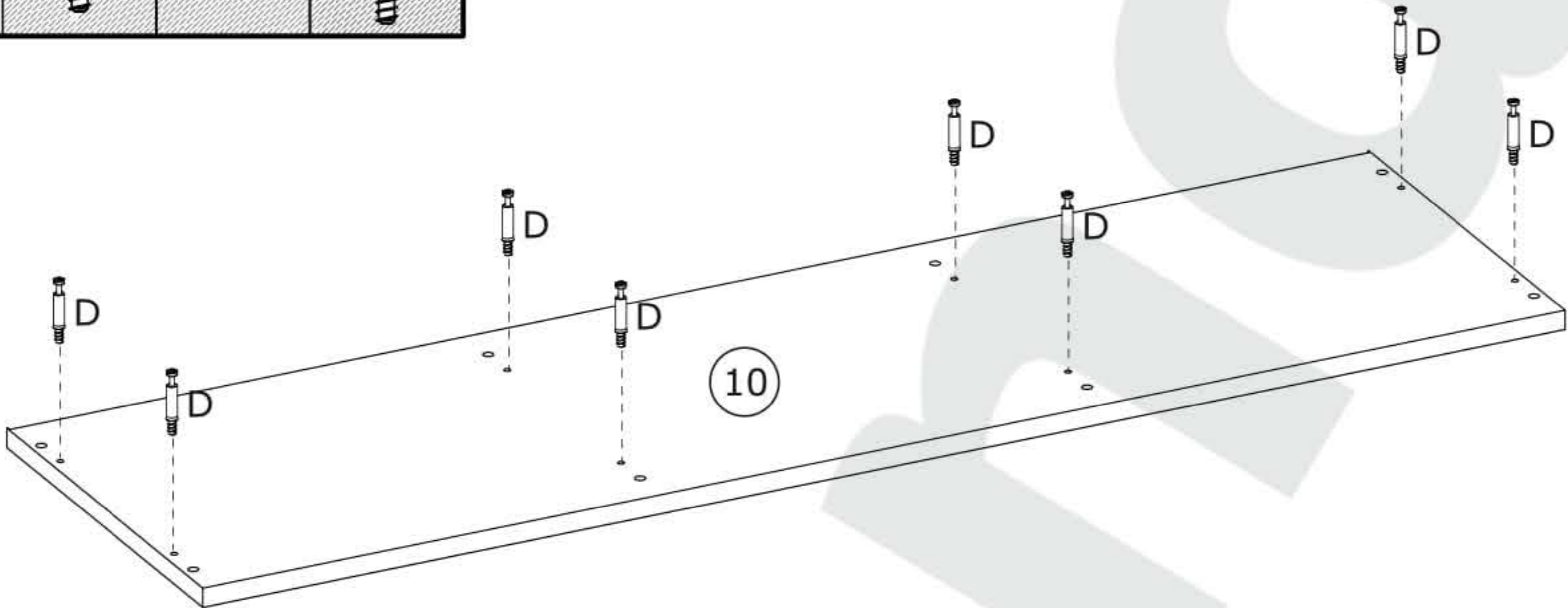
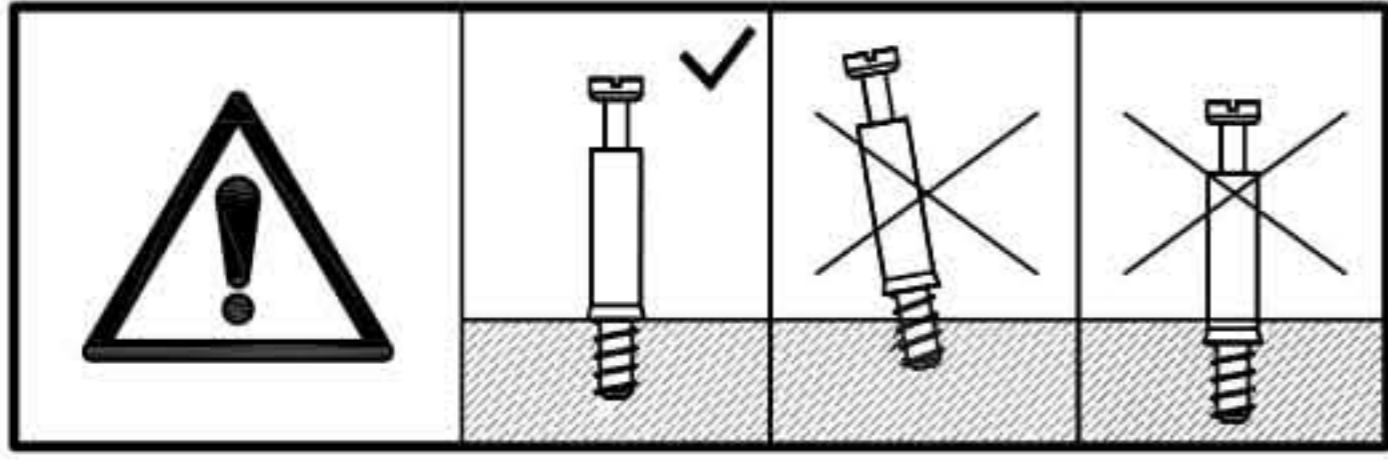
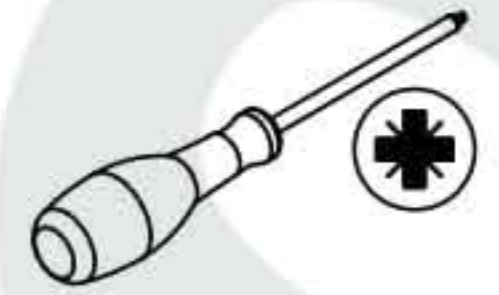
M x 8  
Ø6,3x13 mm

N1 x 4  
278 mm

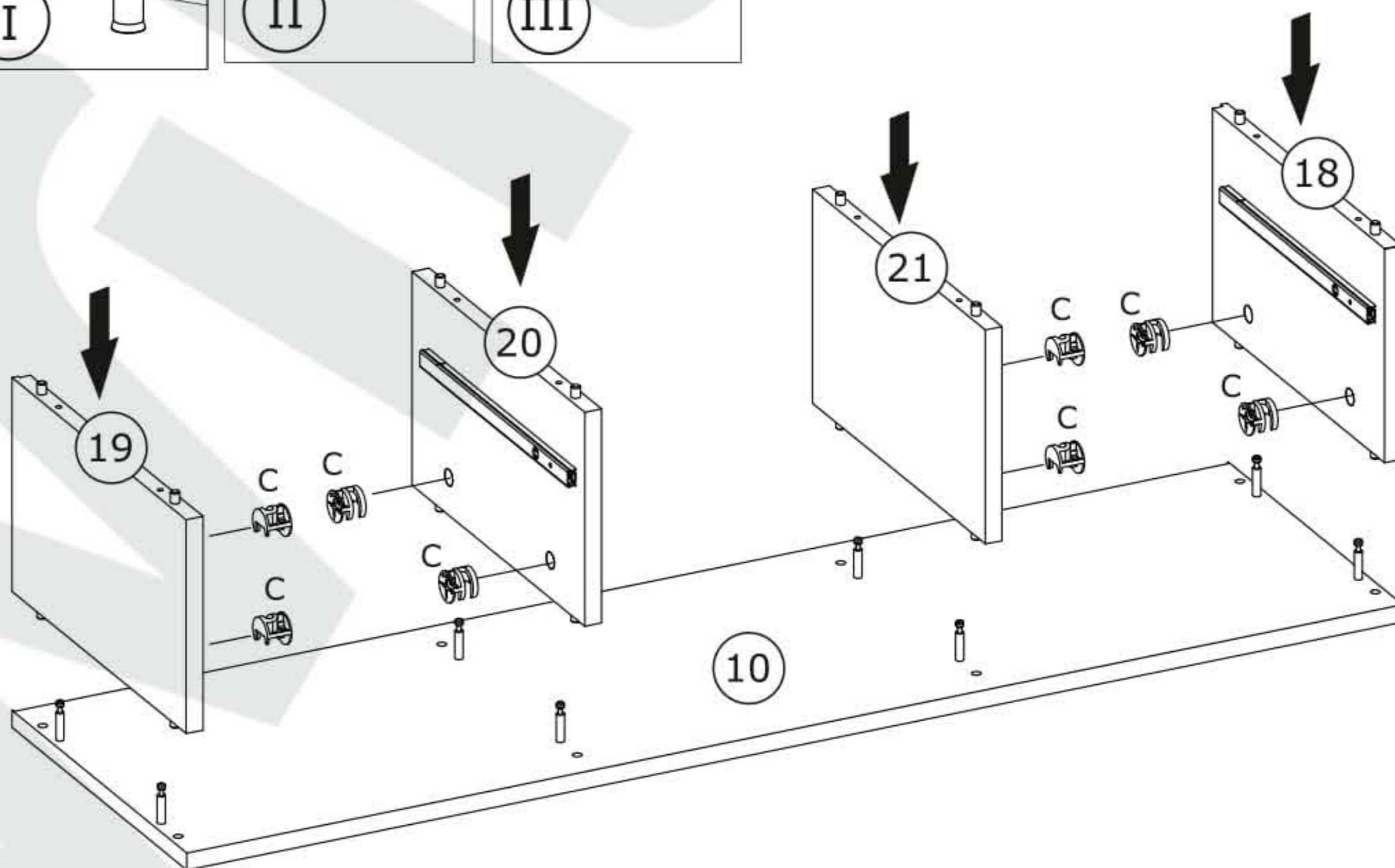
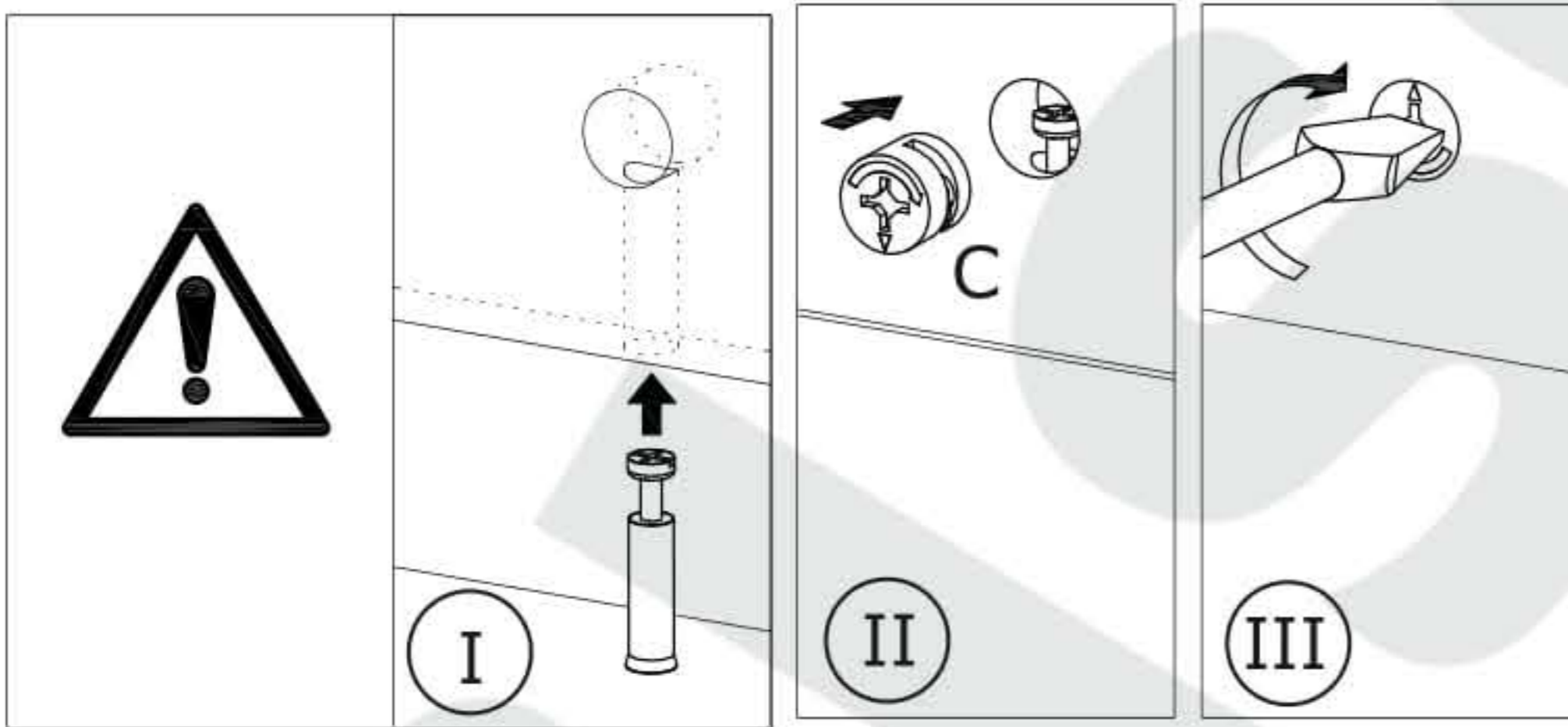
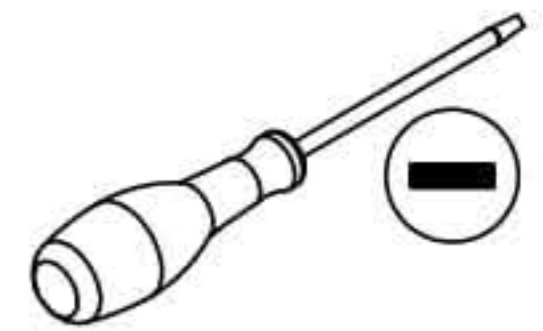
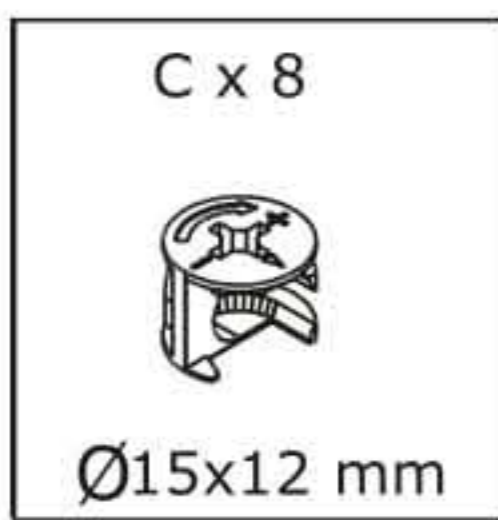




2



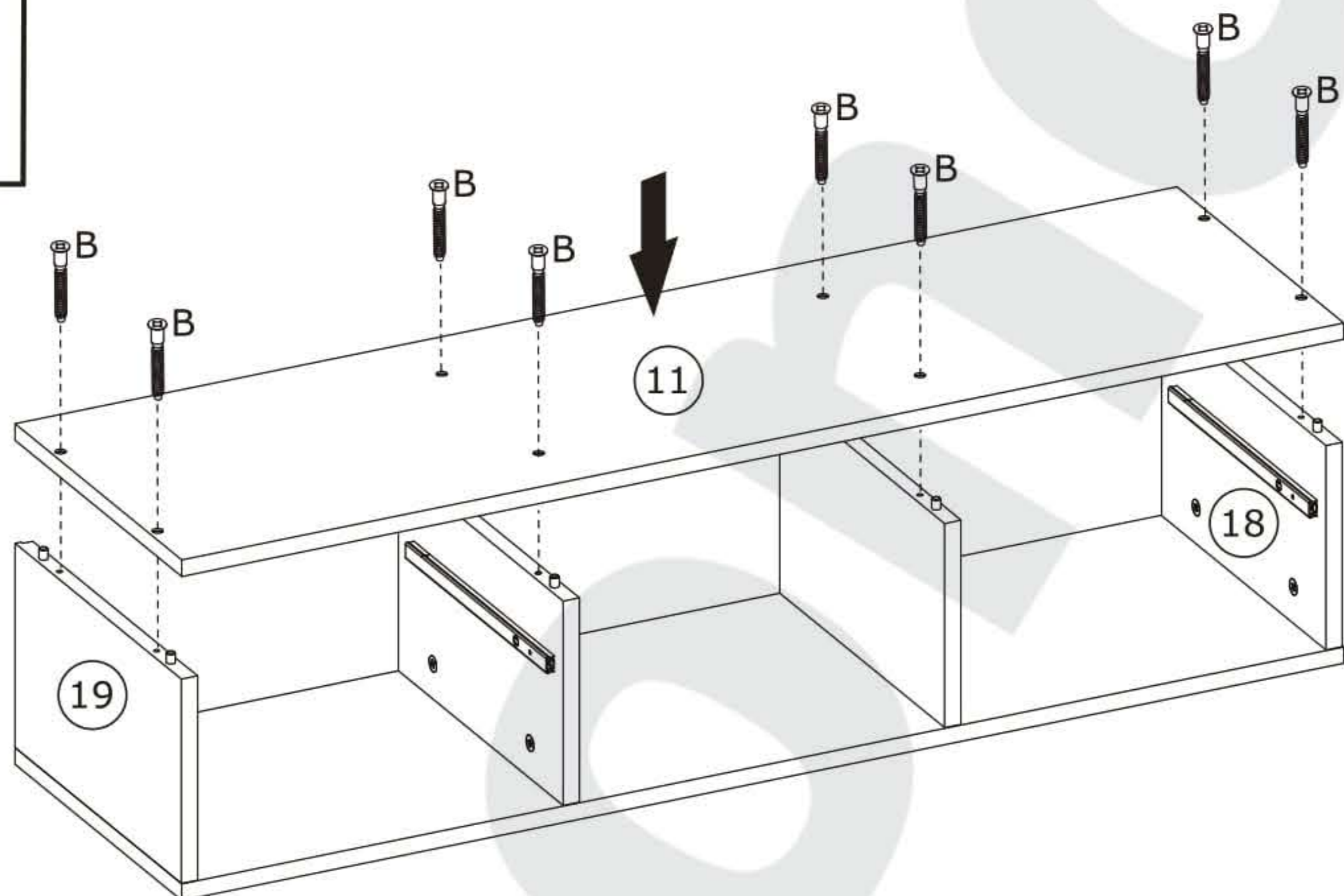
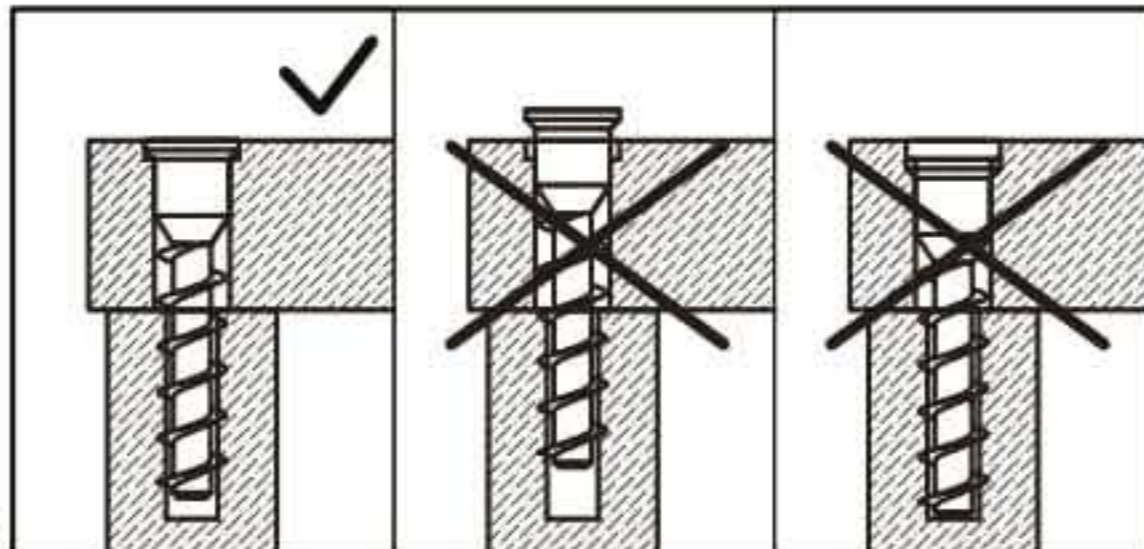
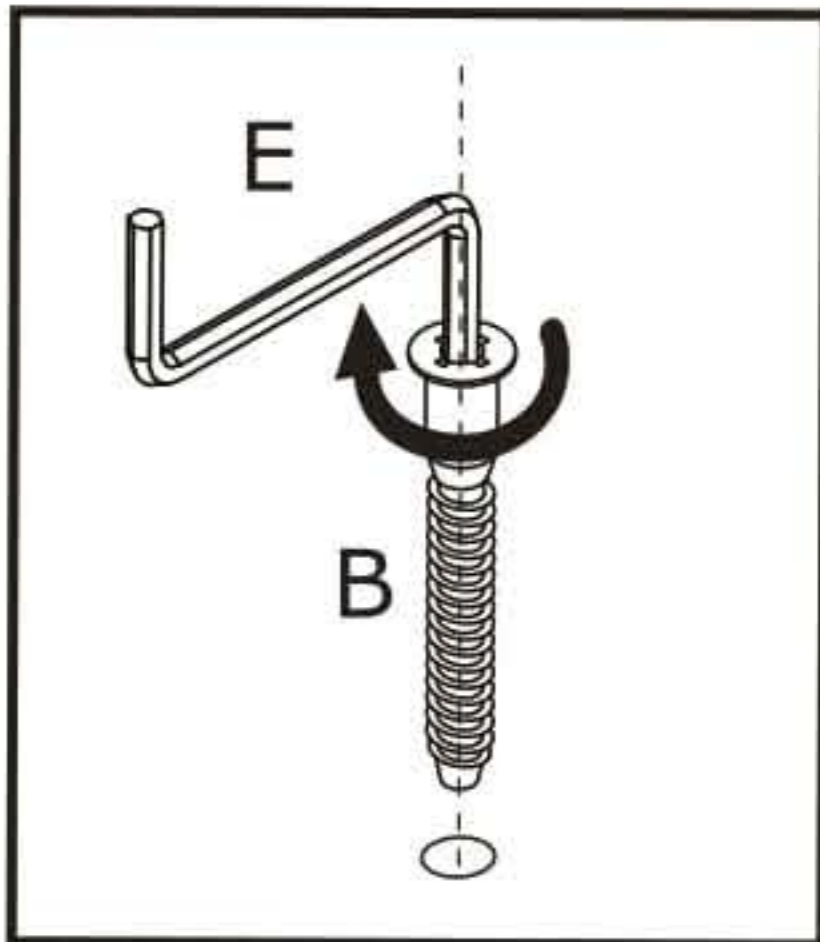
3





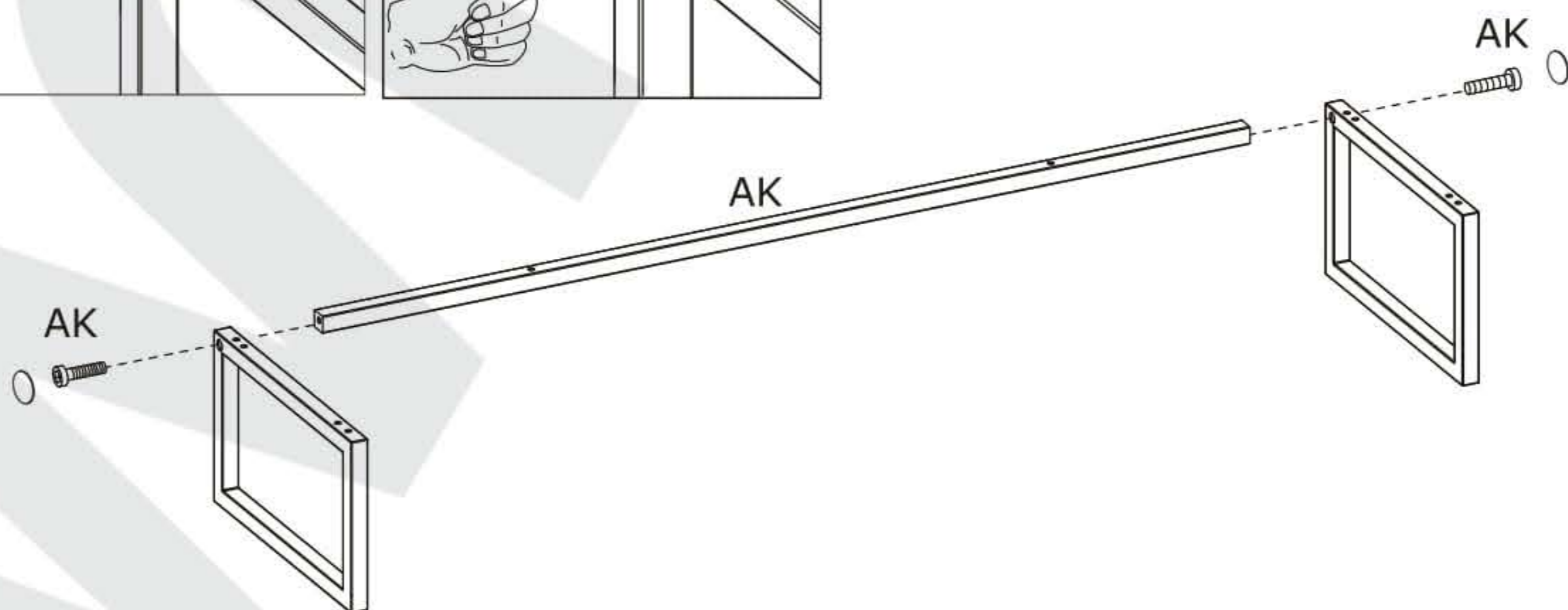
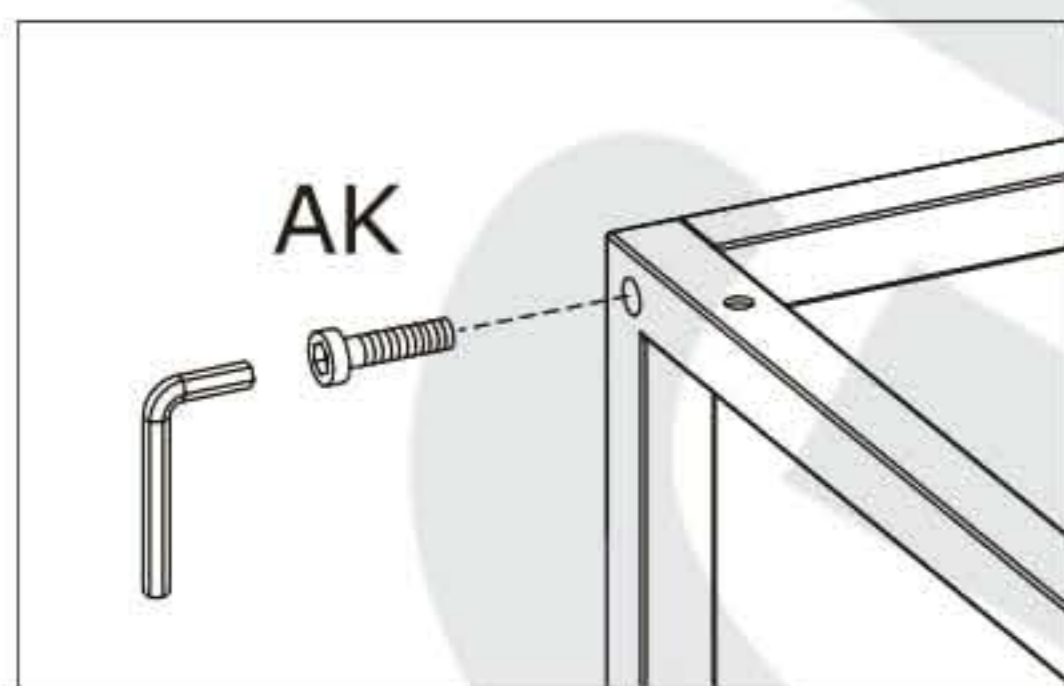
4

|  |  |
|--|--|
| <p>B x 8</p>  <p>Ø7x50 mm</p> | <p>E x 1</p>  <p>4 mm</p> |
|--|--|



5

|  |
|--|
| <p>AK x1</p>  |
|--|





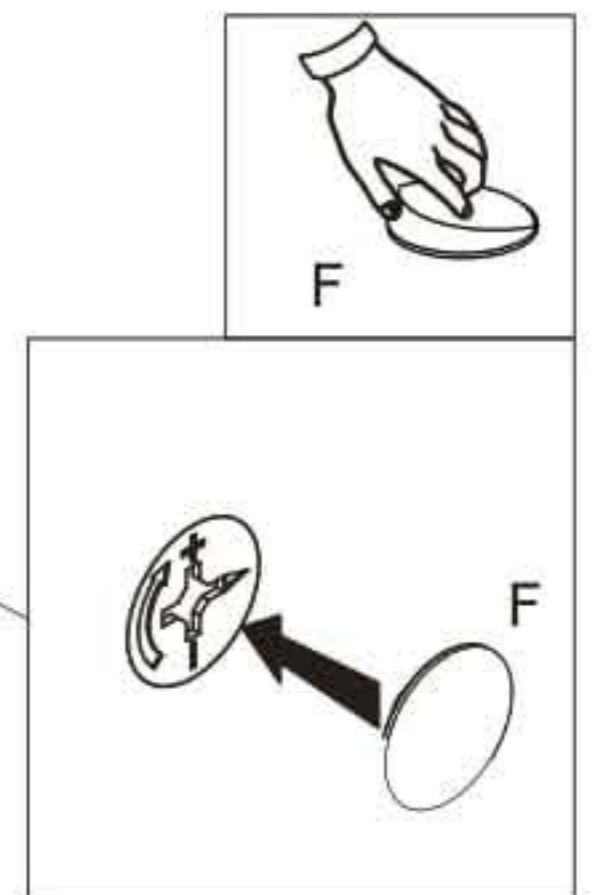
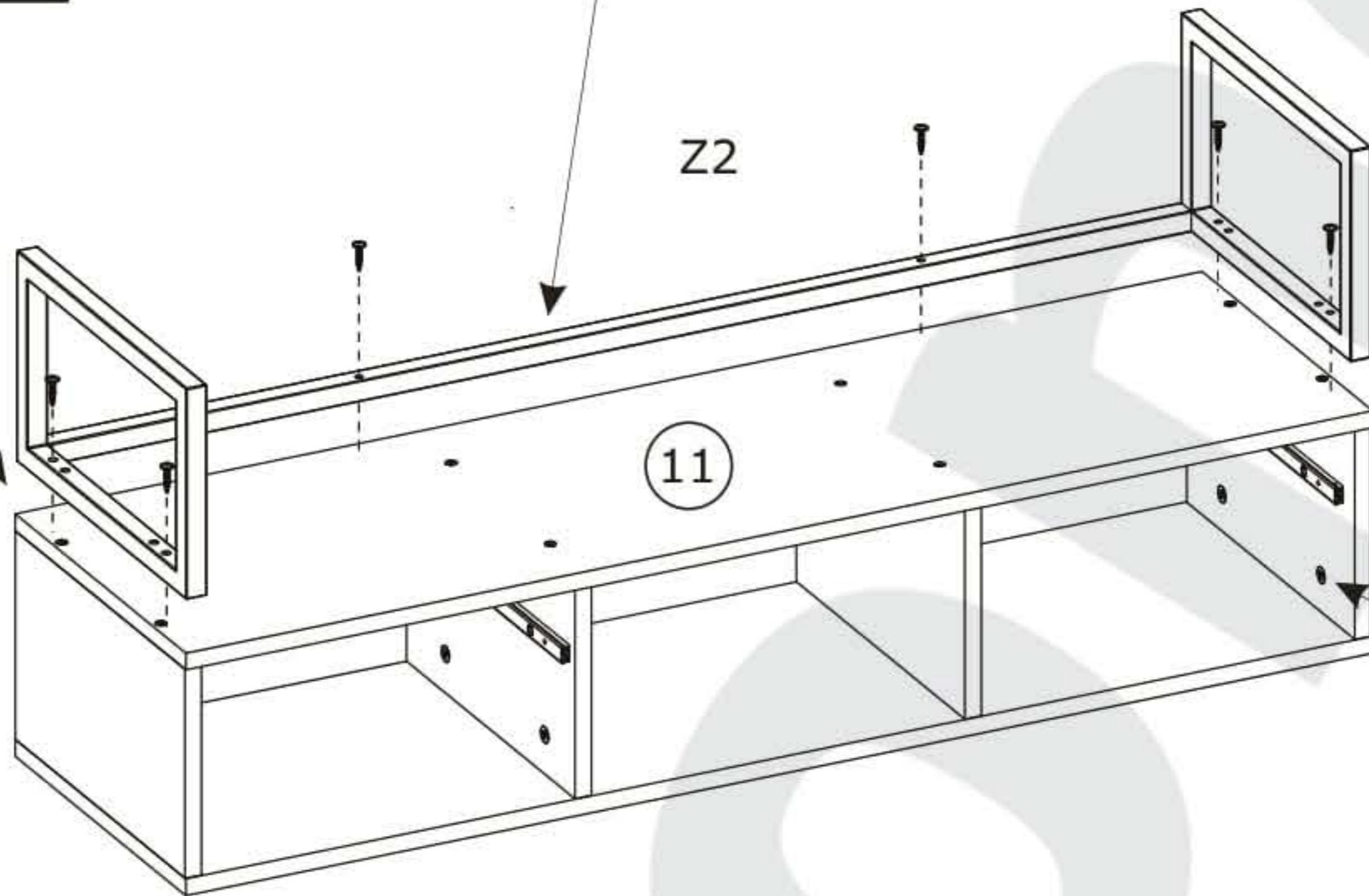
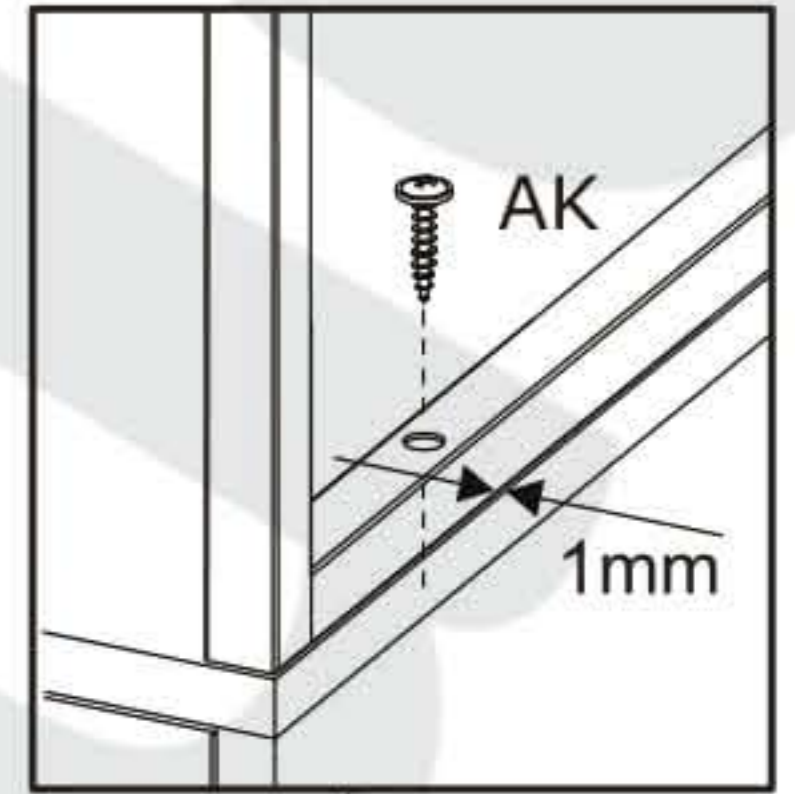
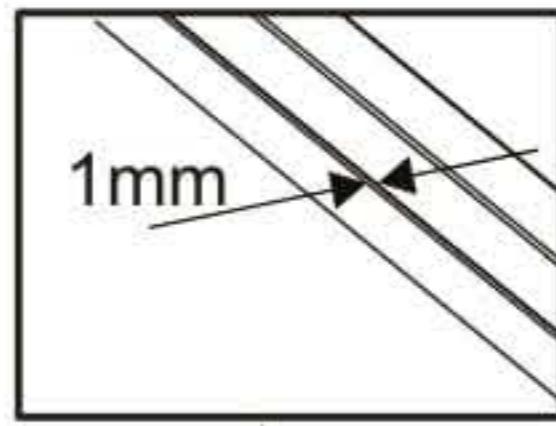
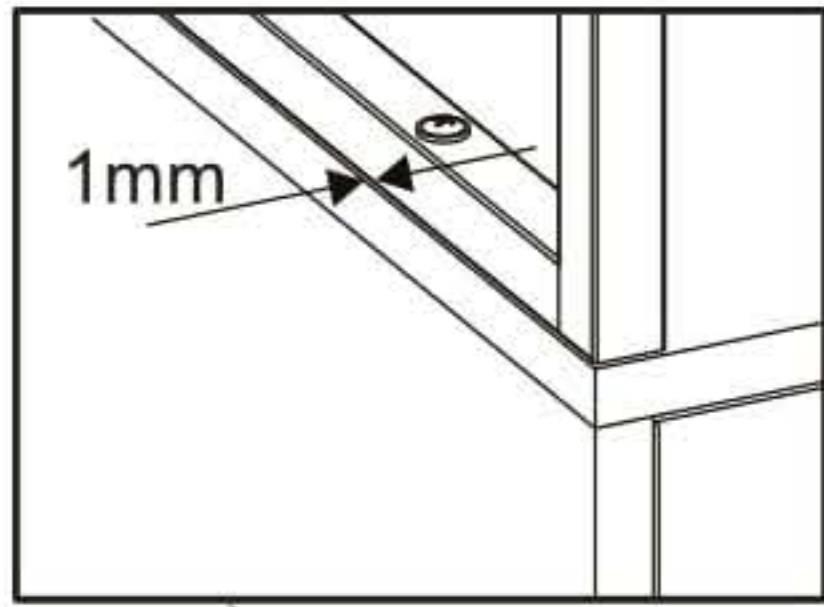
6

F x 8

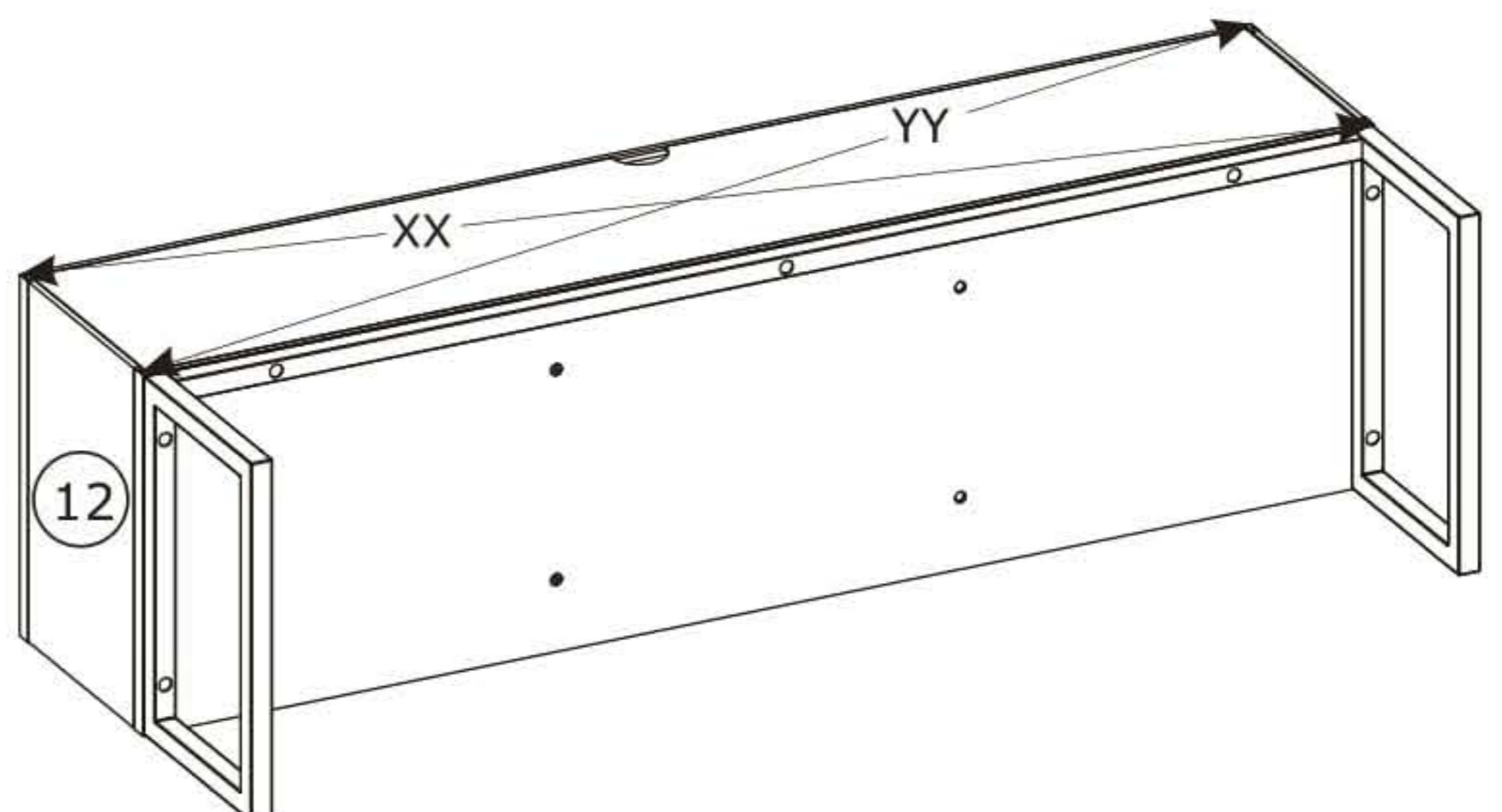
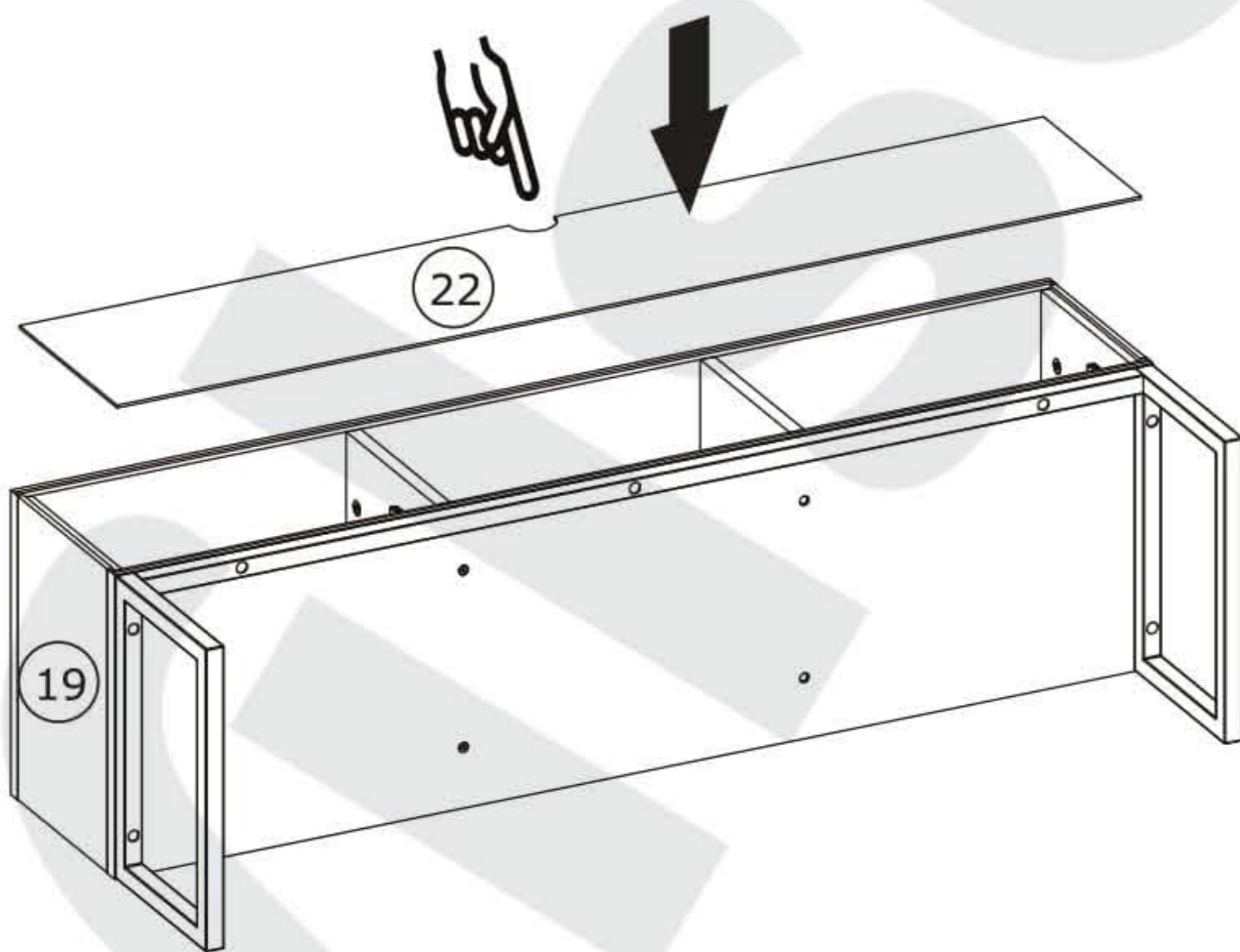


20 mm

AK x1



7

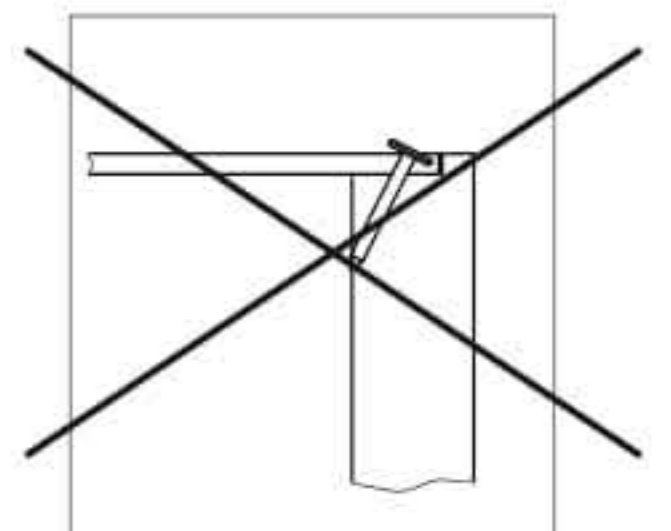
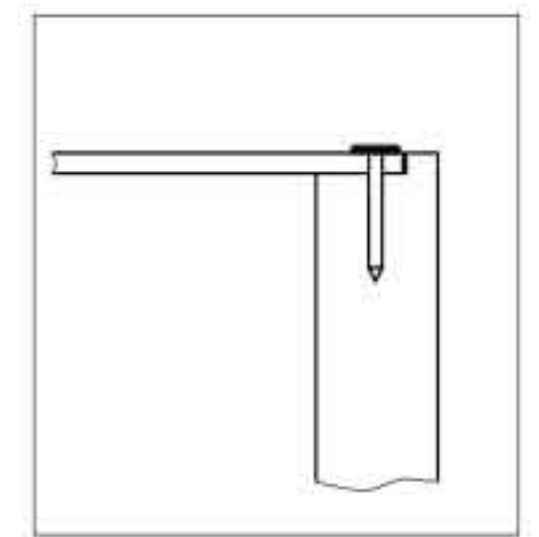
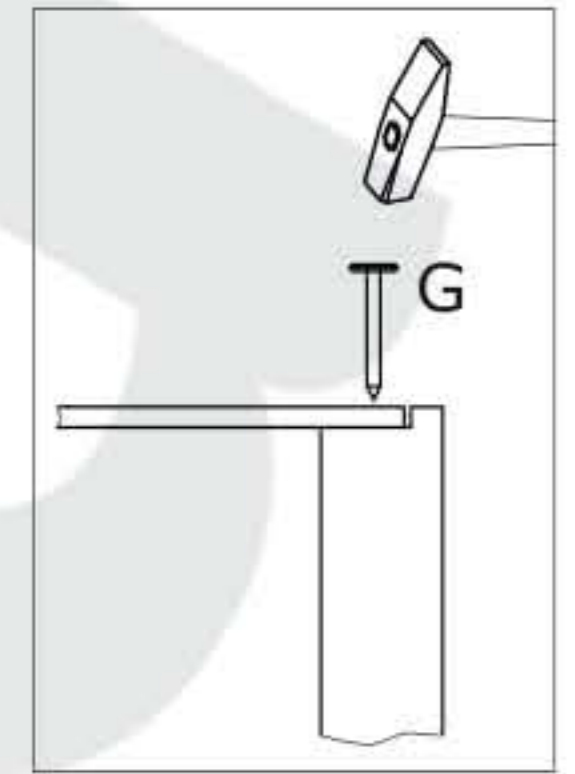
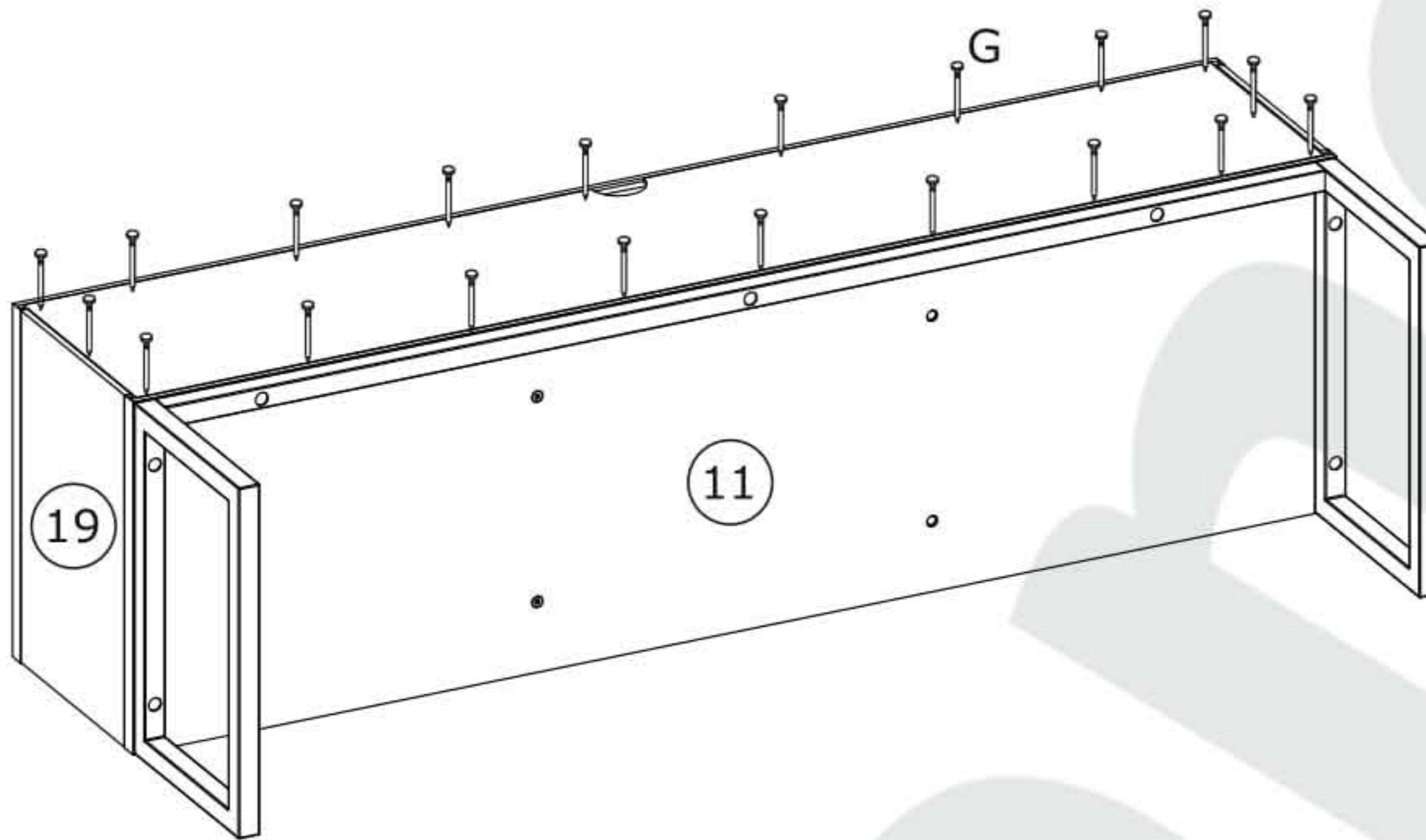
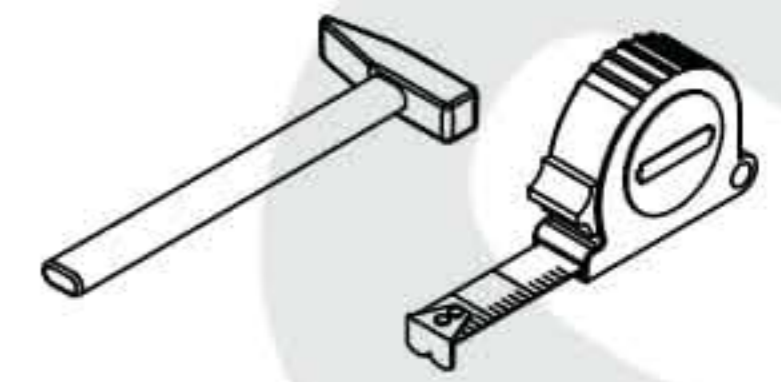


$XX = YY = 90^\circ$



8

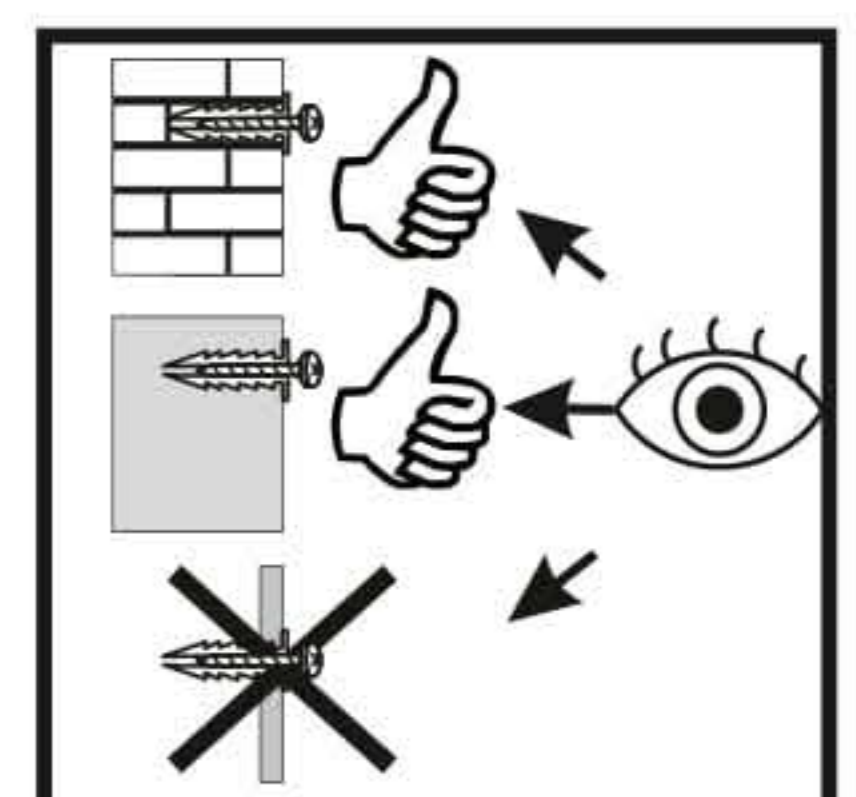
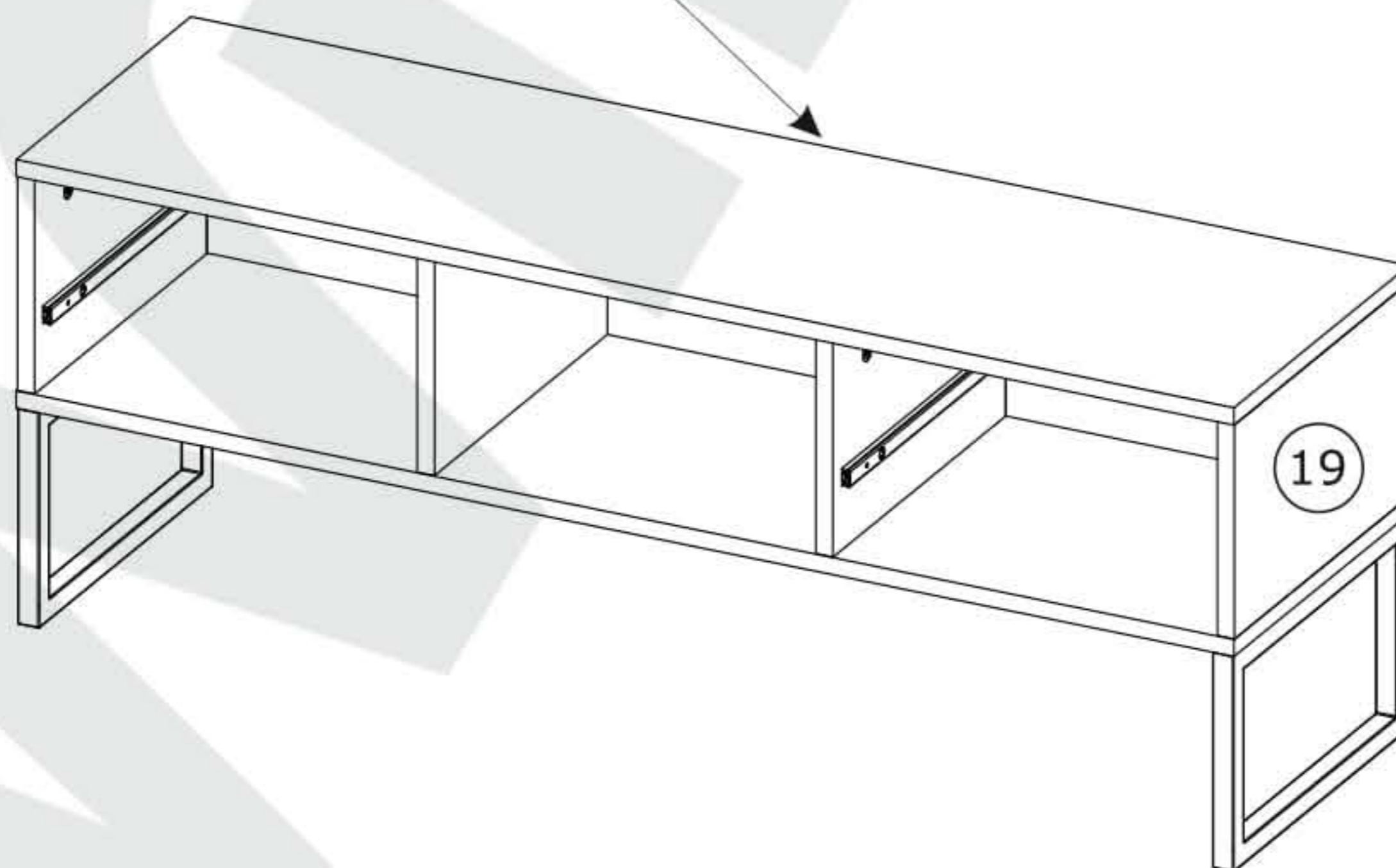
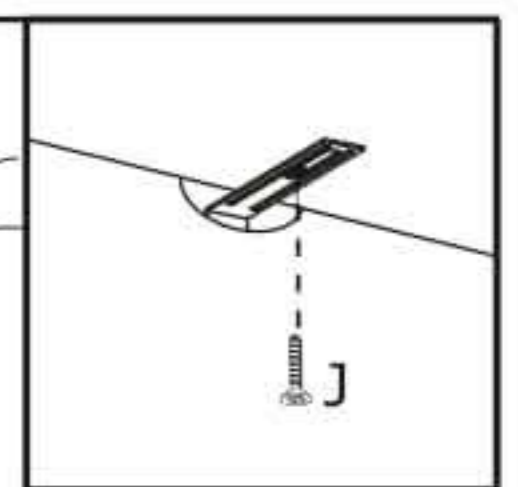
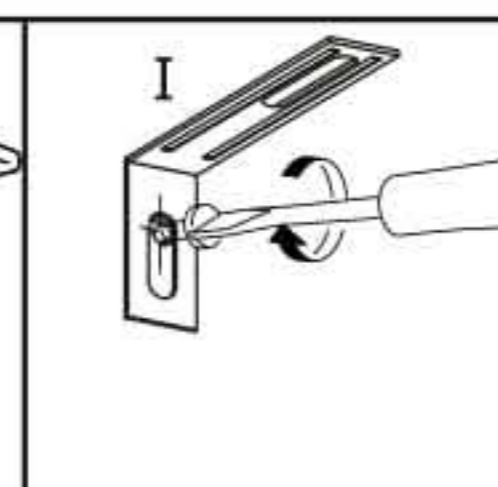
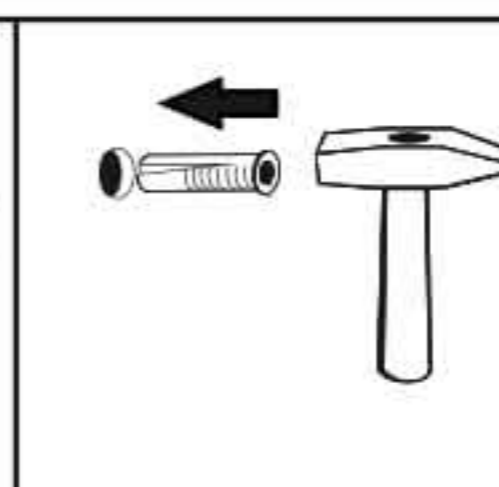
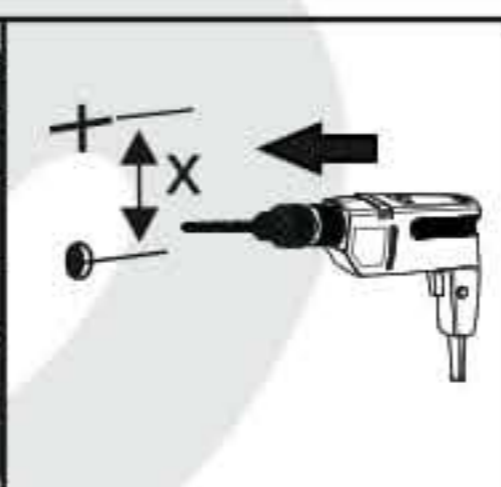
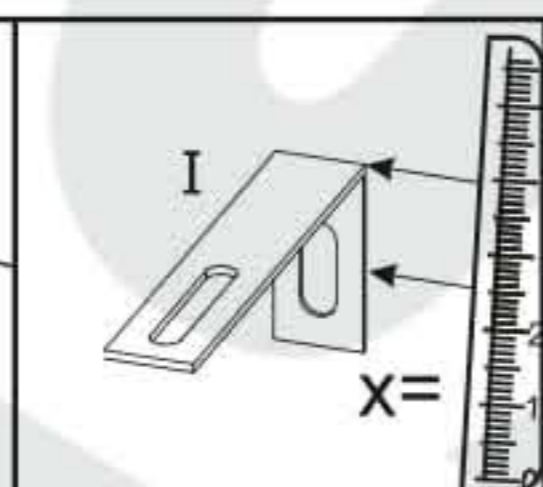
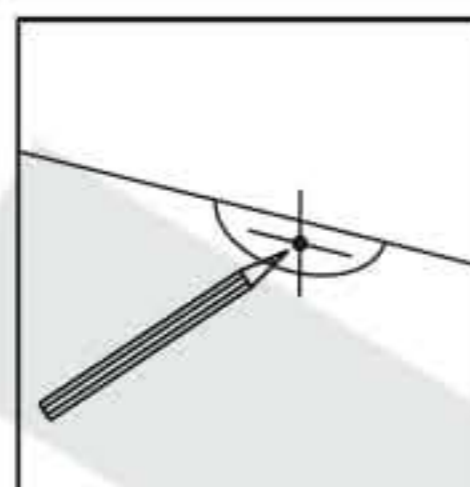
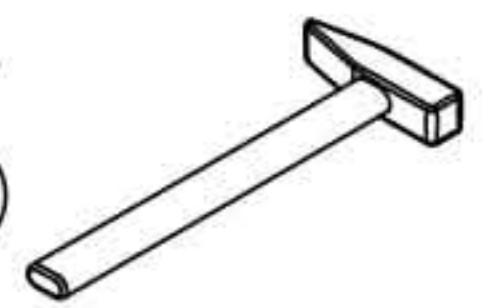
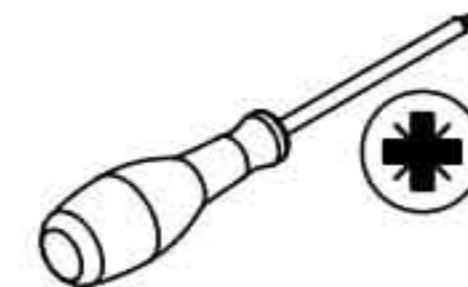
G x 20  
1.2x25 mm



9

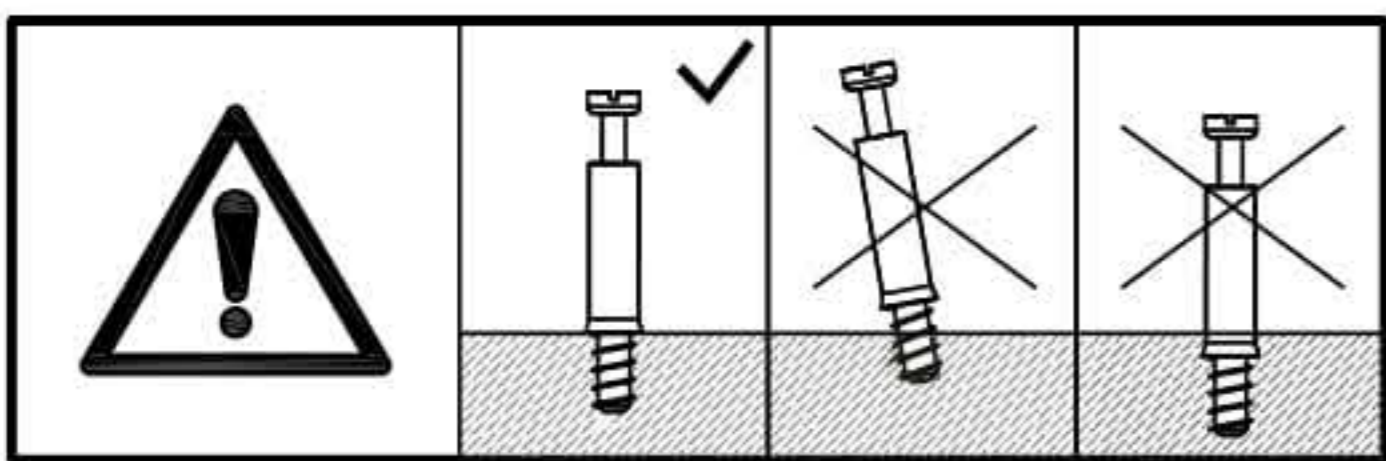
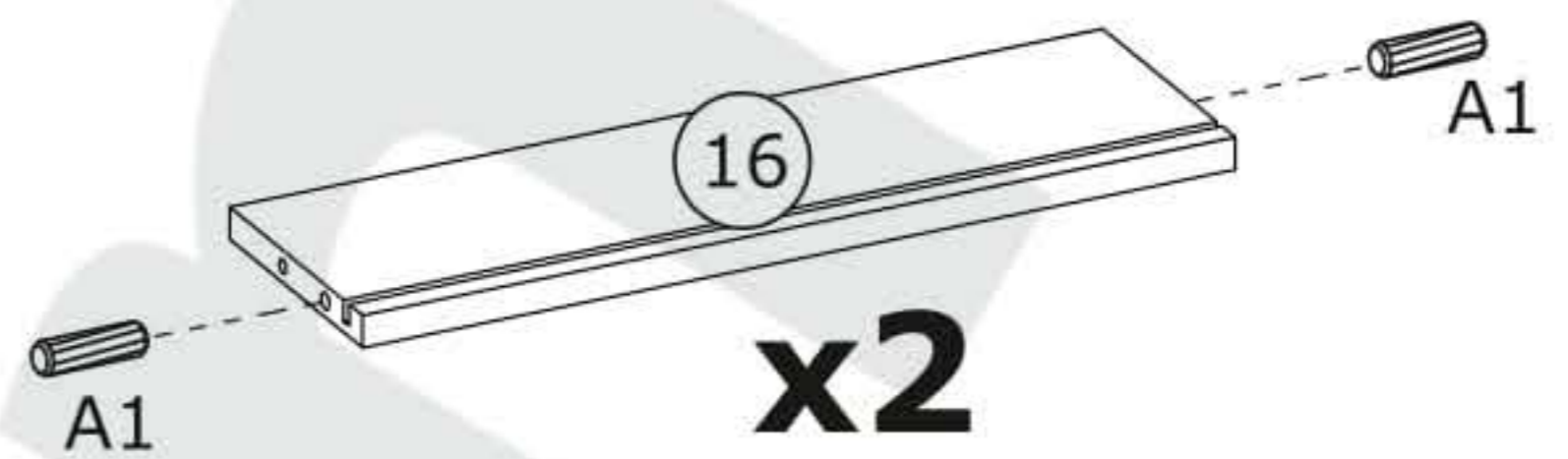
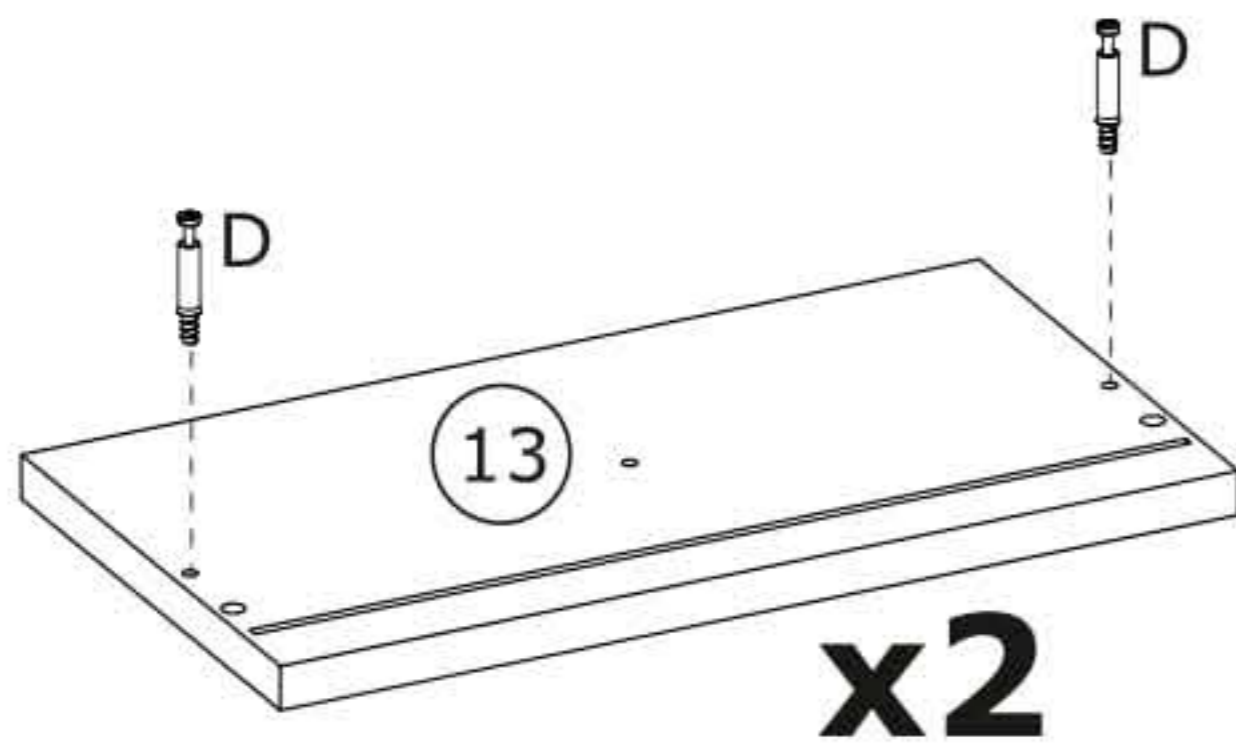
I x 1

J x 1  
3,5x16 mm

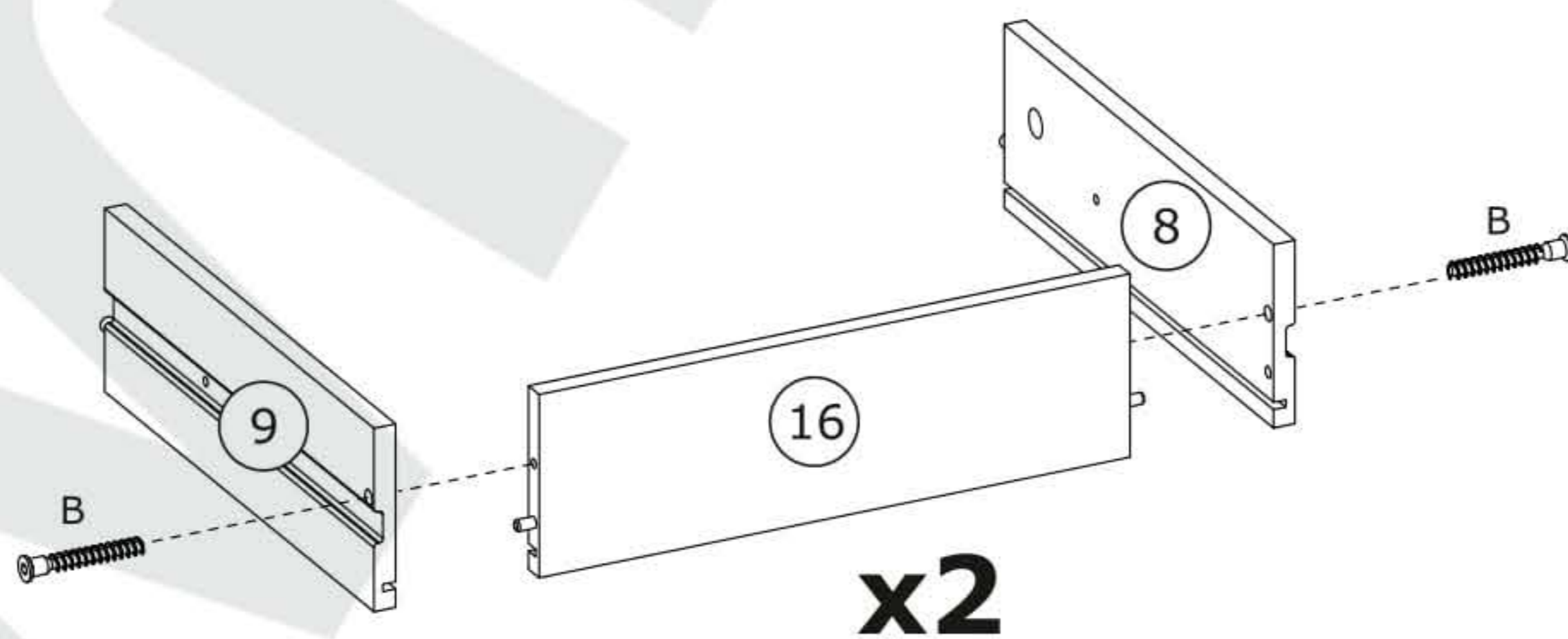
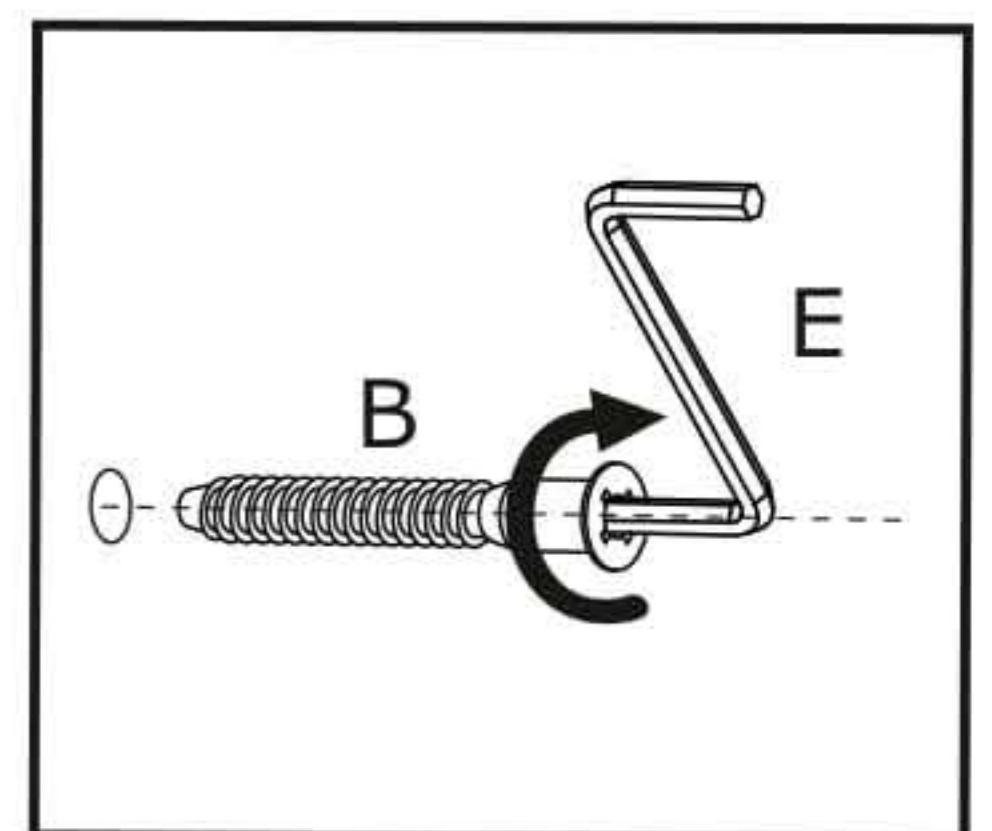
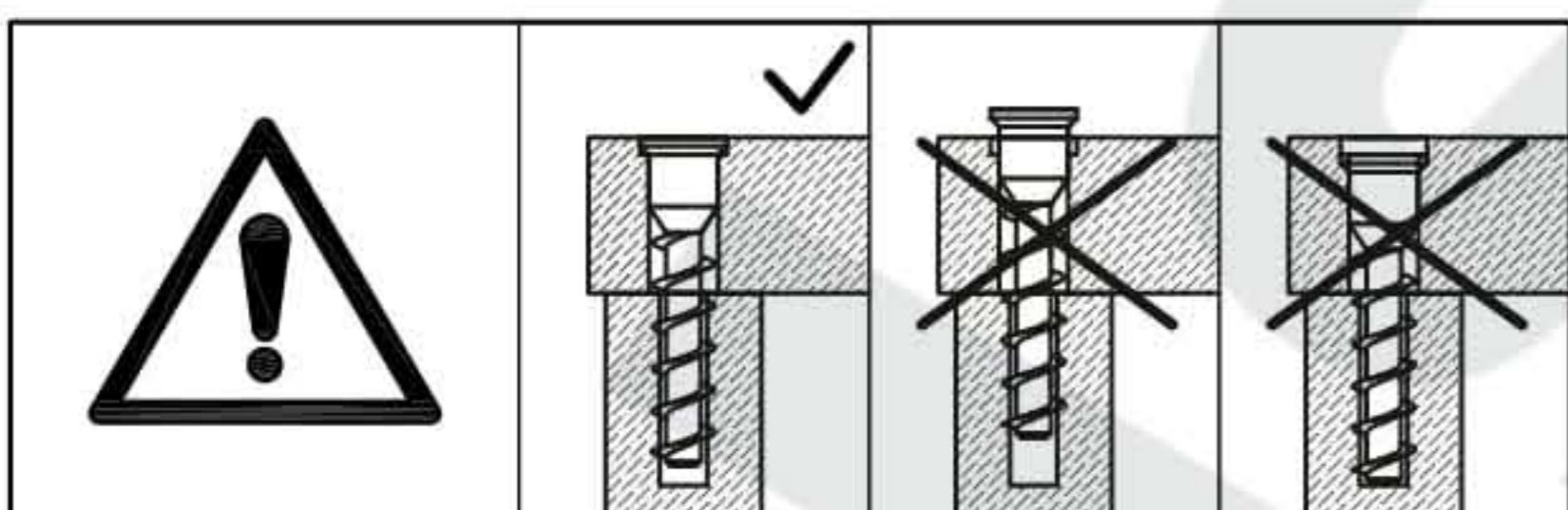




10



11

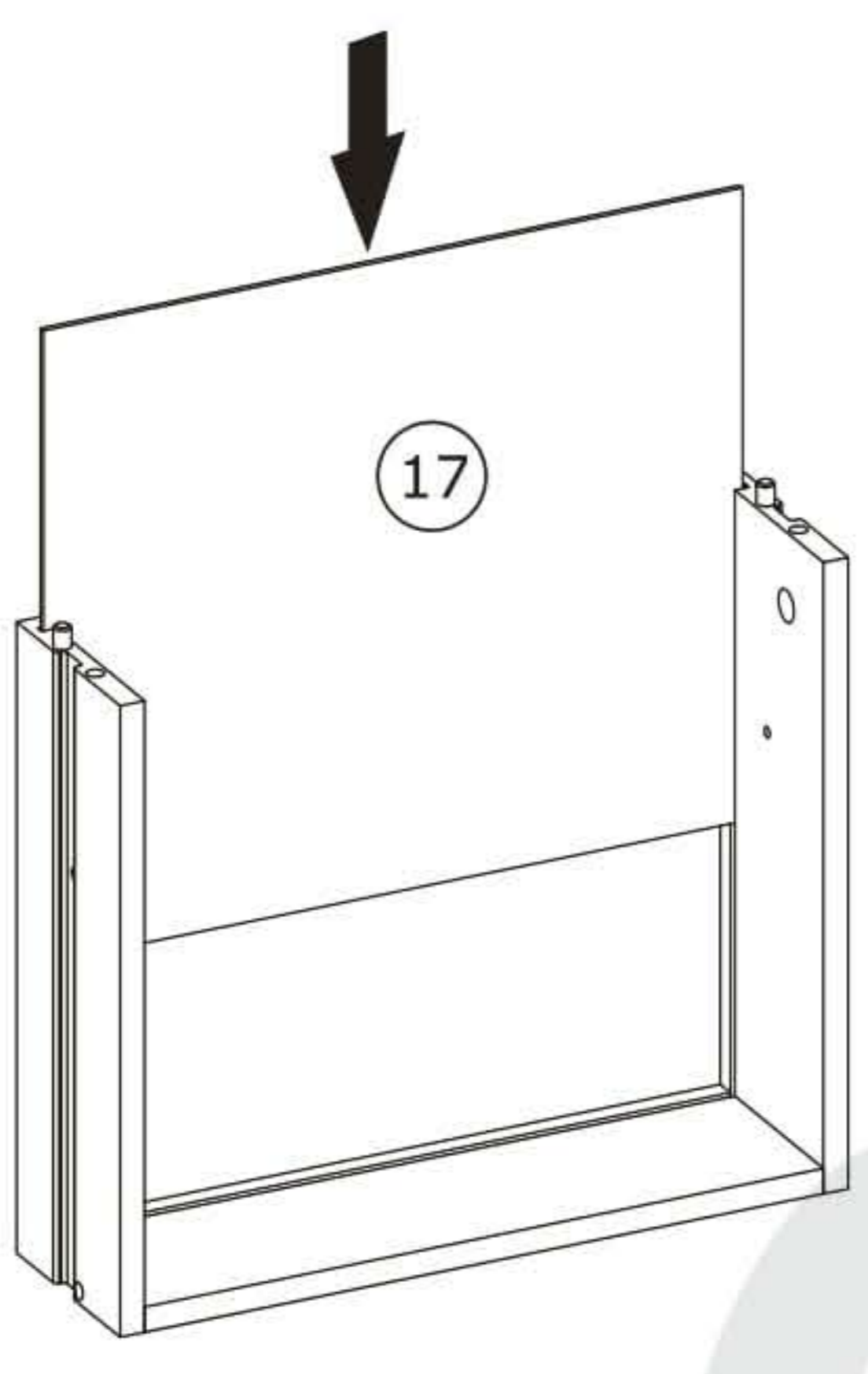
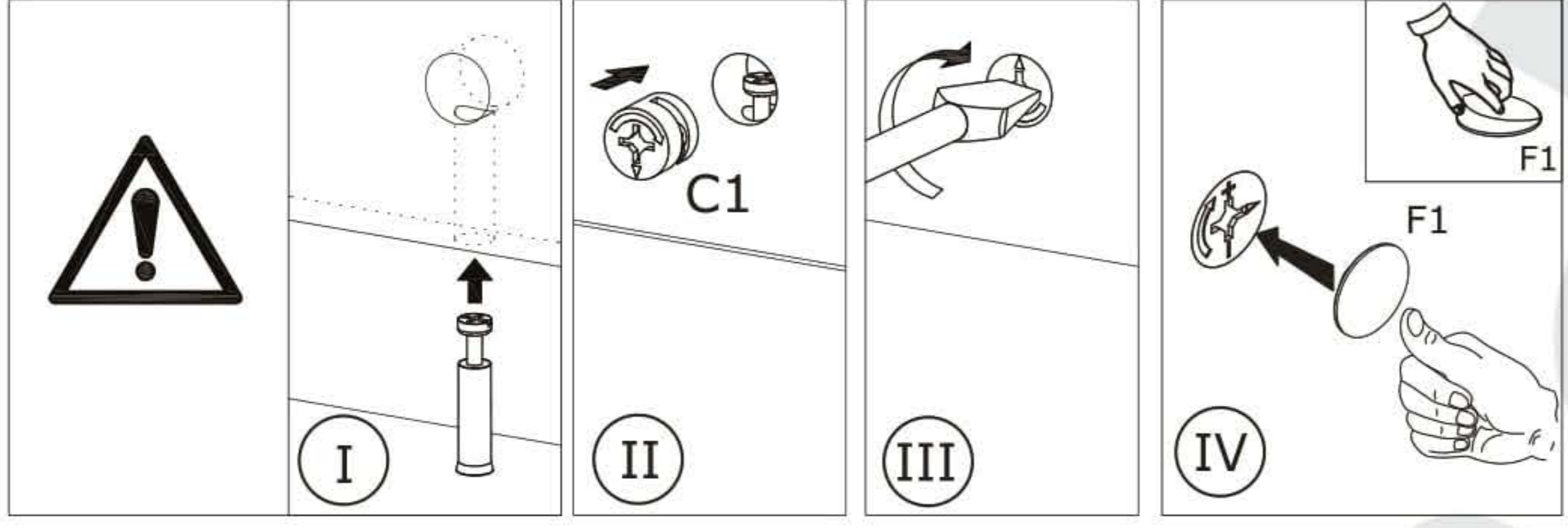
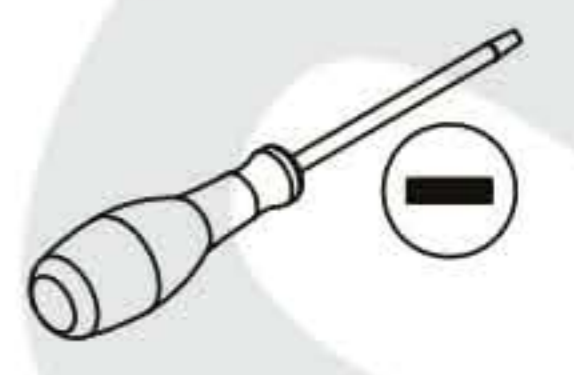




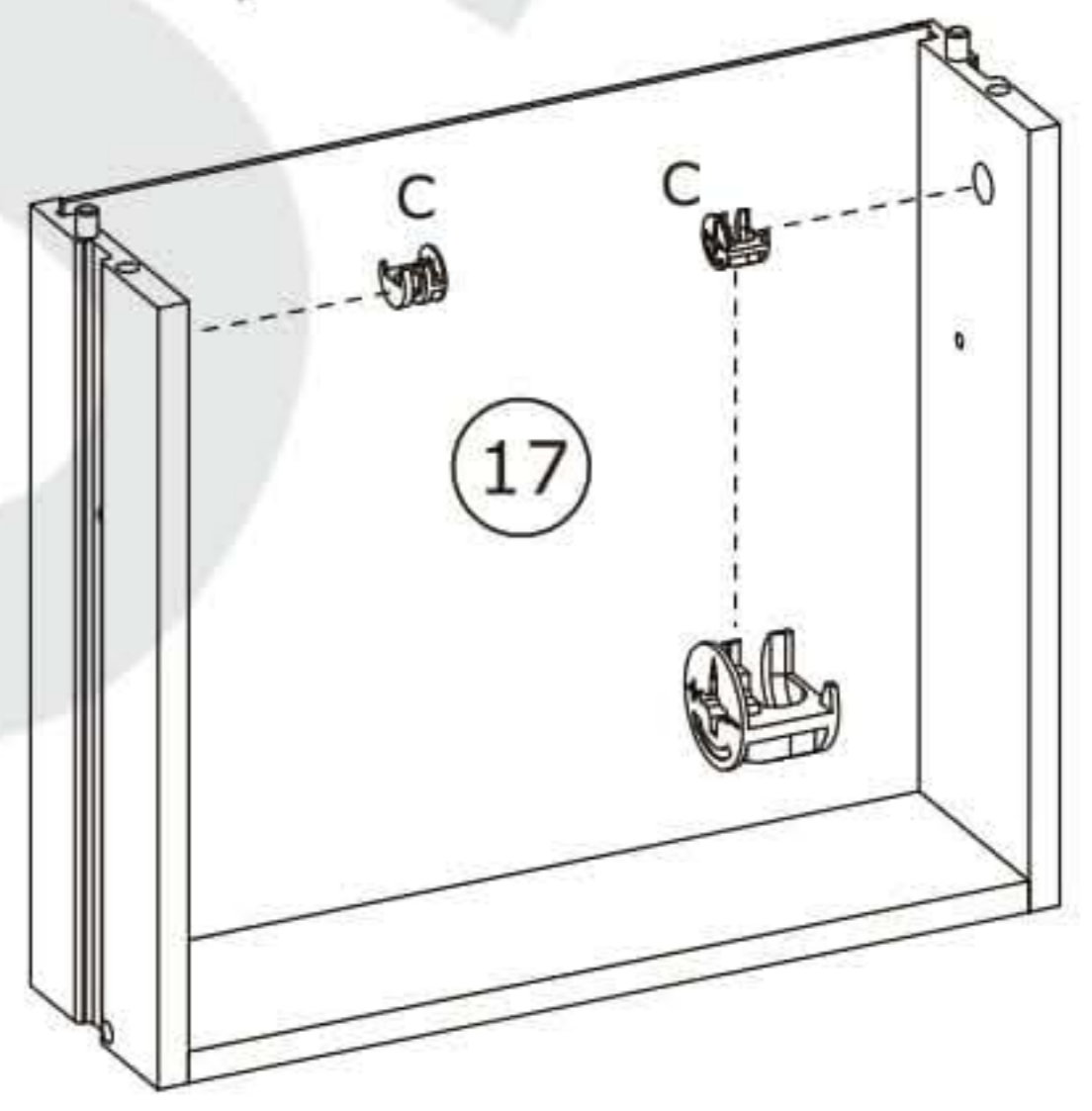
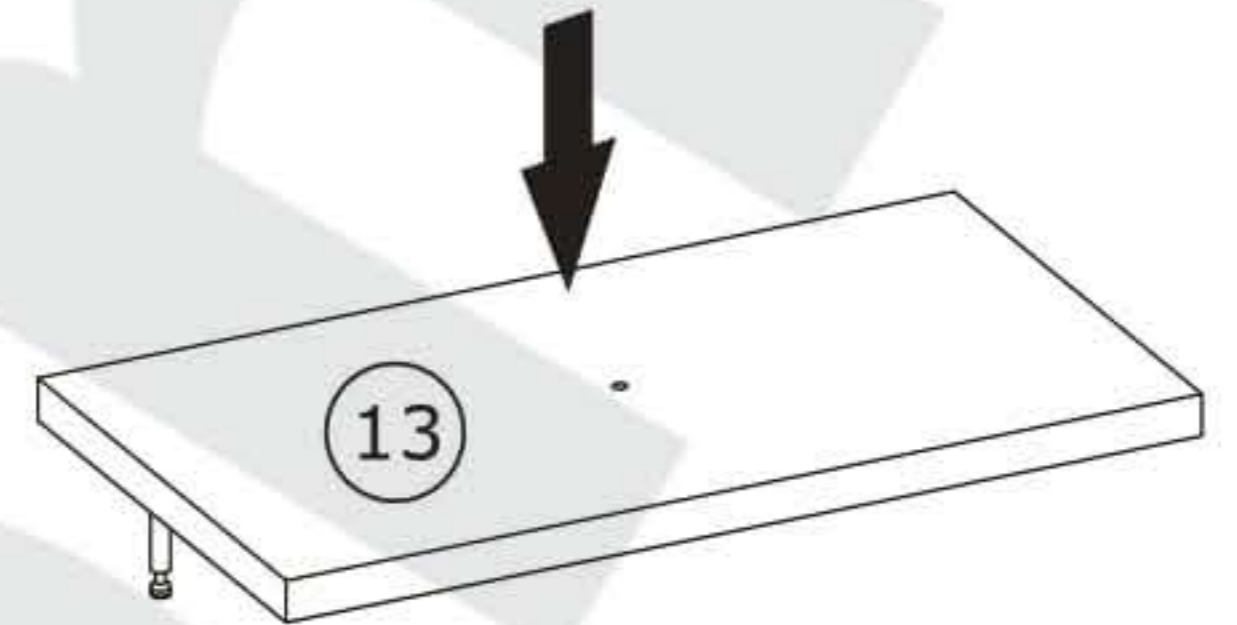
12

C1 x 4  
Ø12x10 mm

F1 x 4  
20 mm



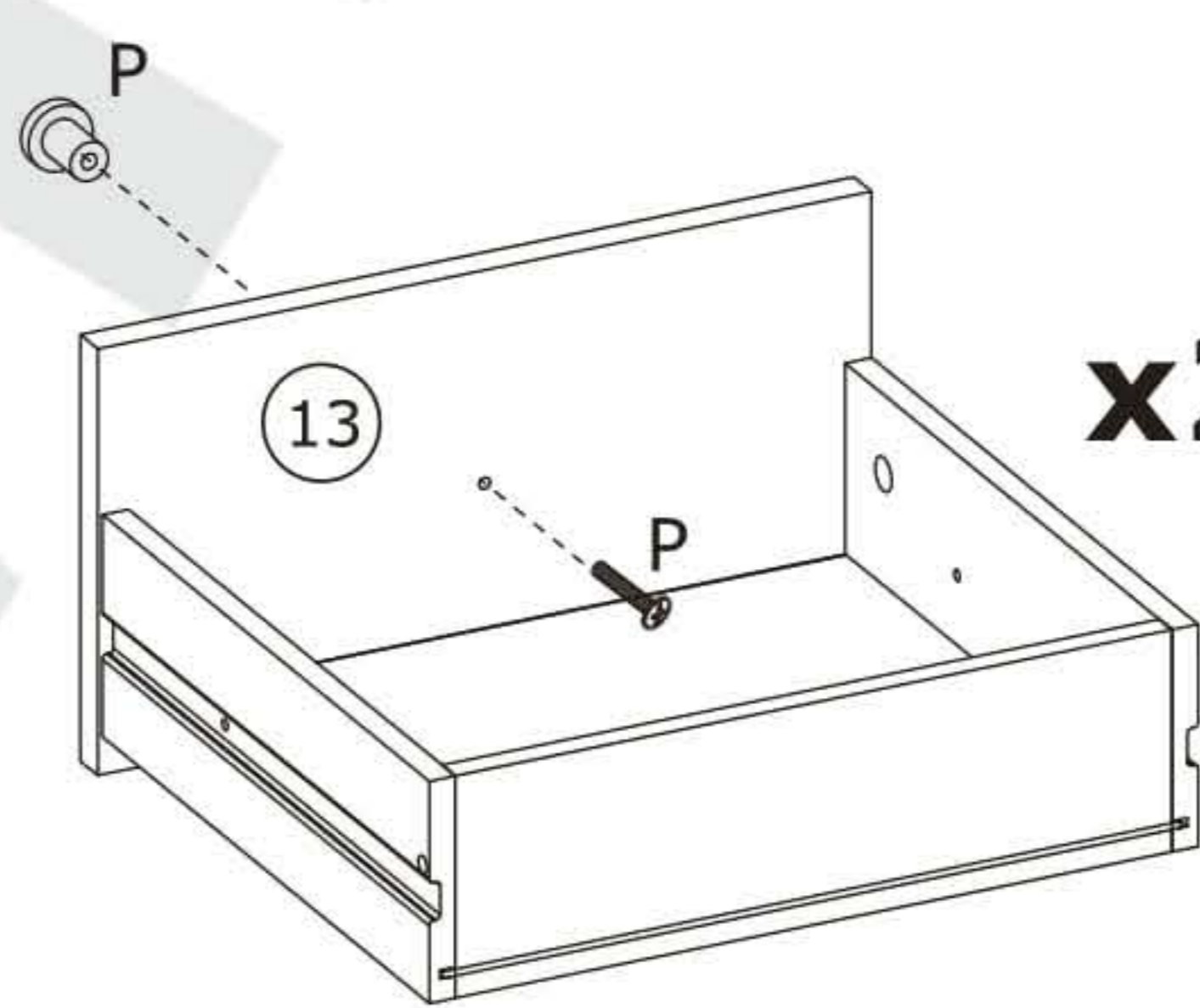
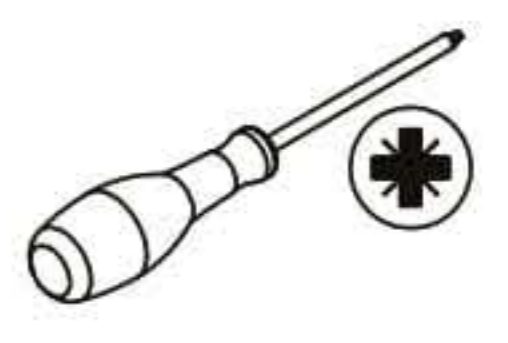
x2



x2

13

P x 2



x2



14

Q x 4  
4x9 mm

