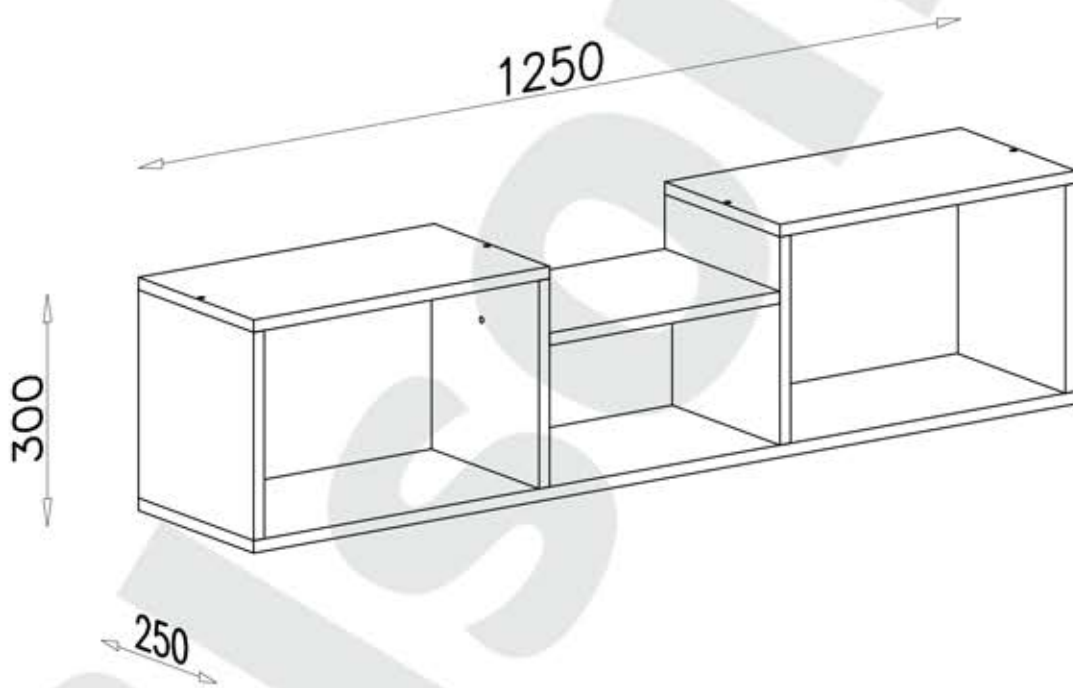
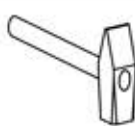
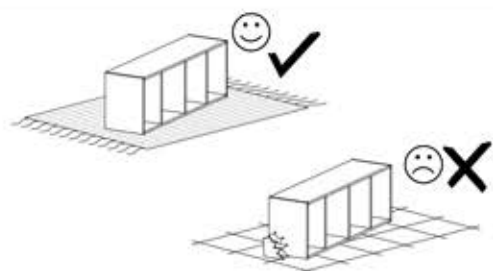


SERGIO SE 11



I7
ø18 x6



K5
x6



K1
ø15x12 x6



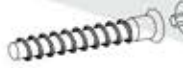
G4
4x16 x4



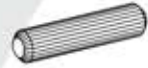
U12
x2



A1
ø7x50 x10



B7
ø8x30 x32



W2
x1

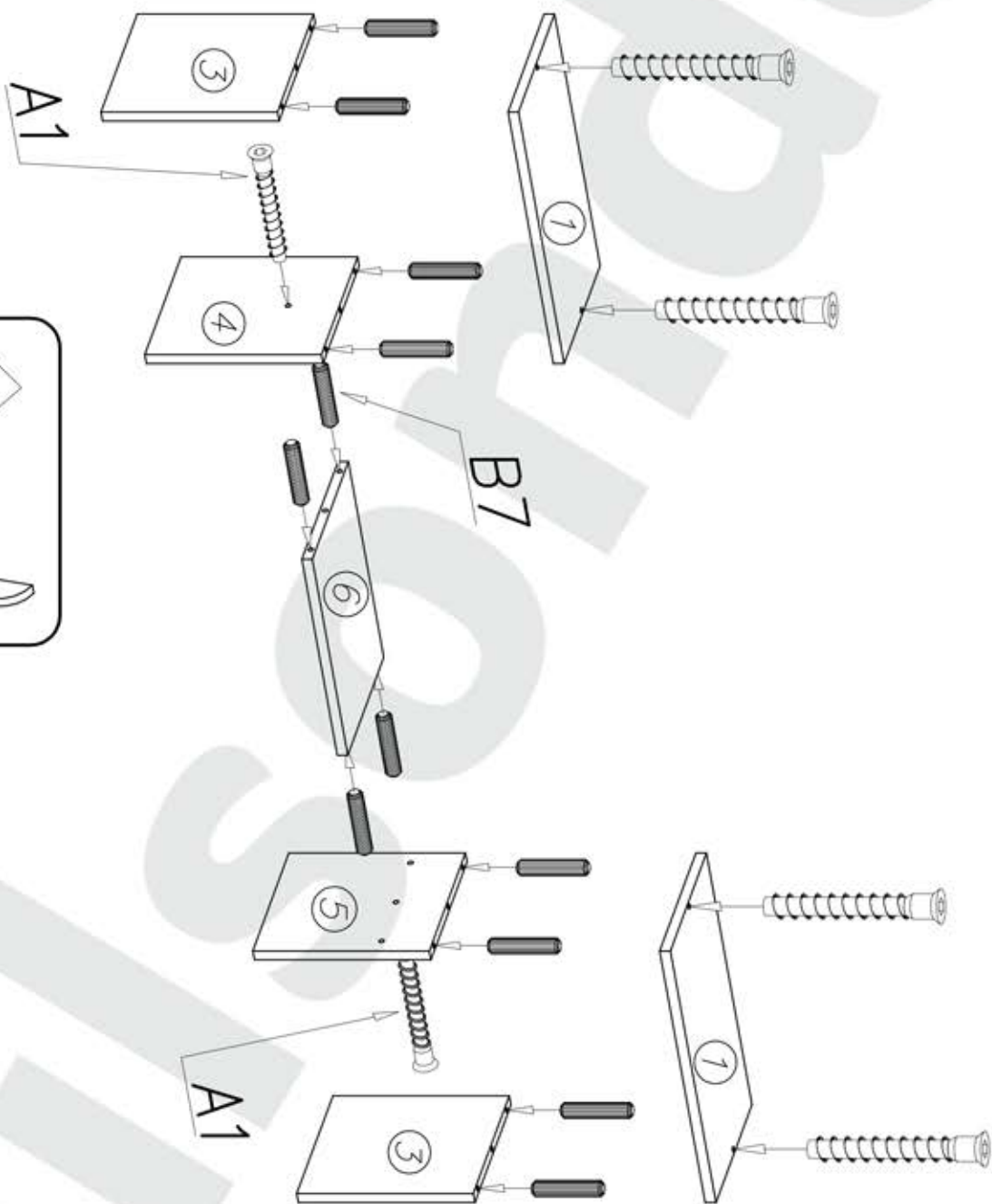
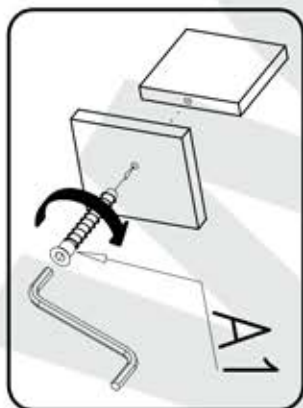
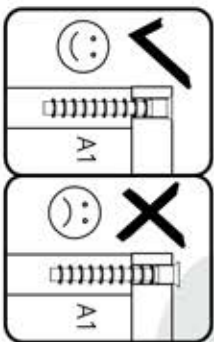
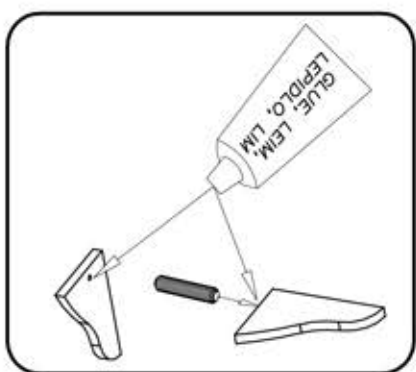
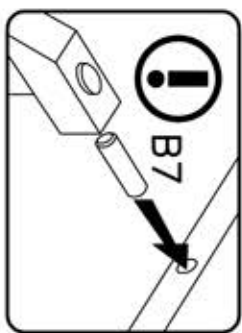


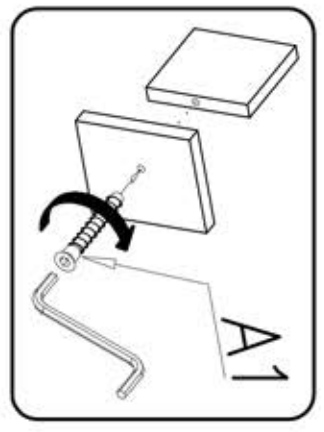
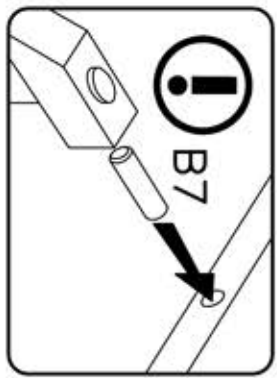
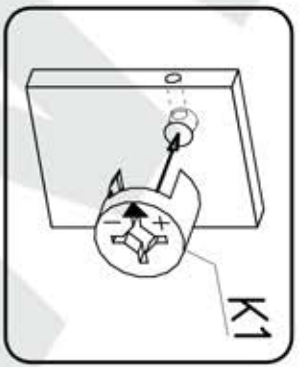
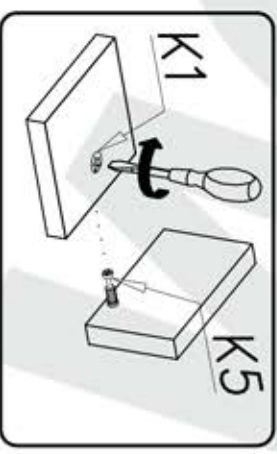
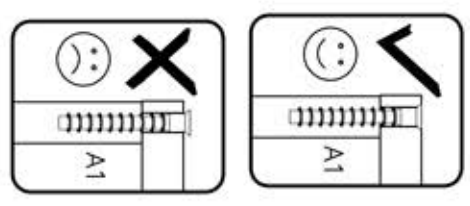
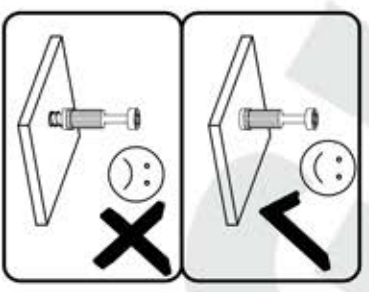
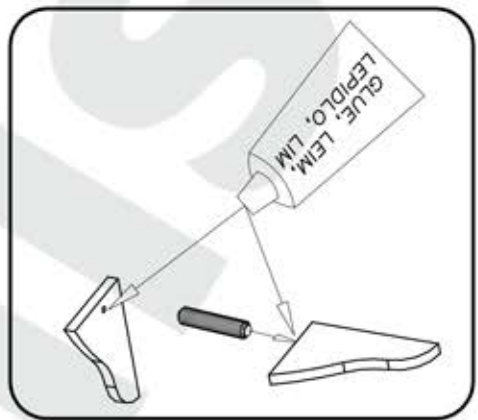
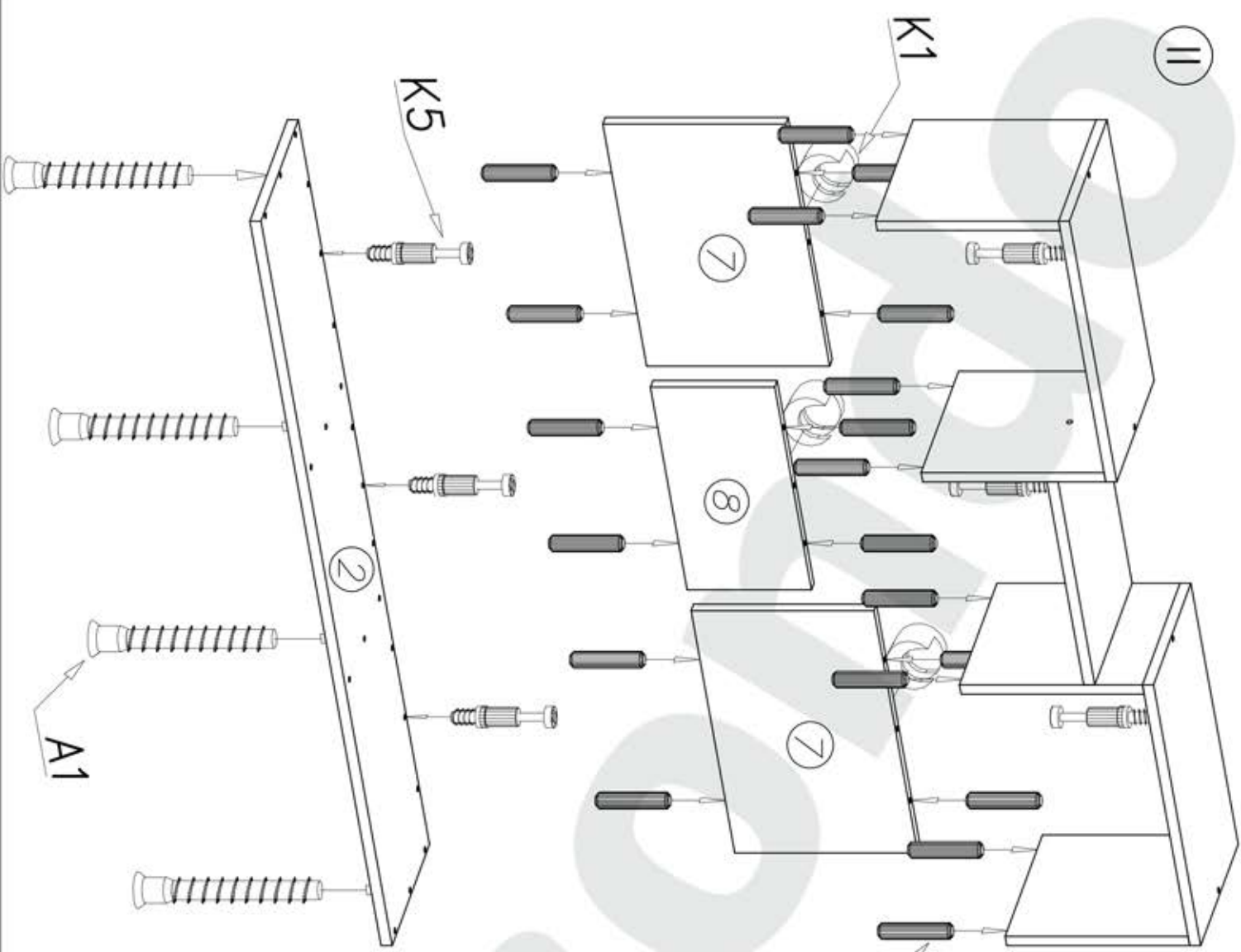
W1
x2



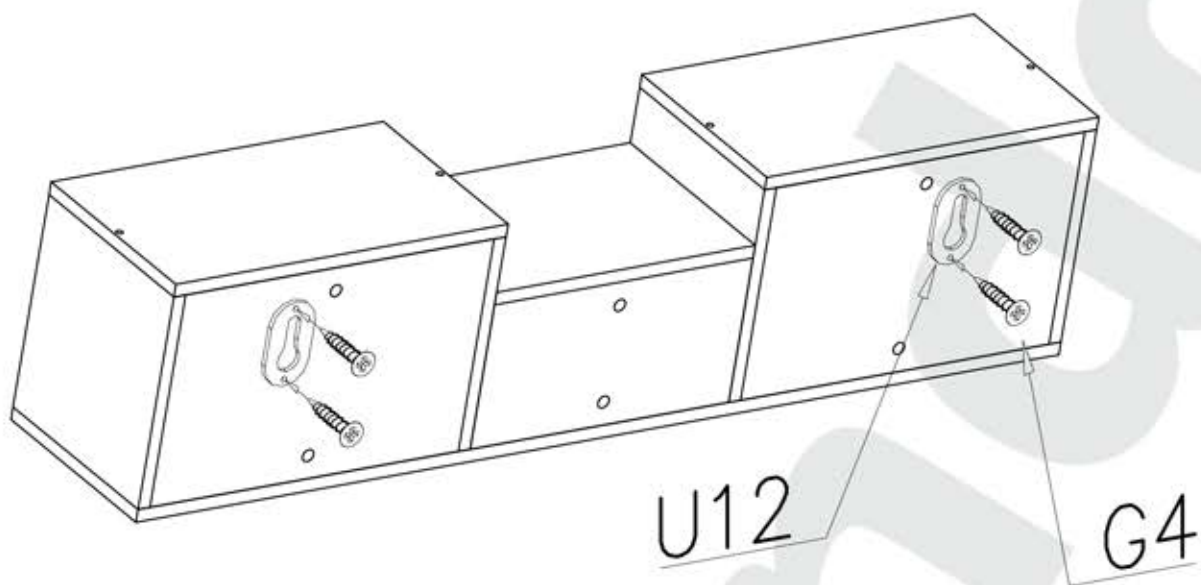
U4
x2







III



IV

