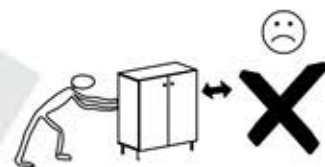
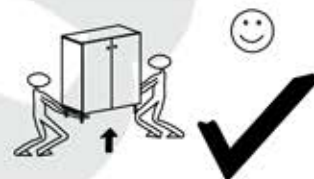
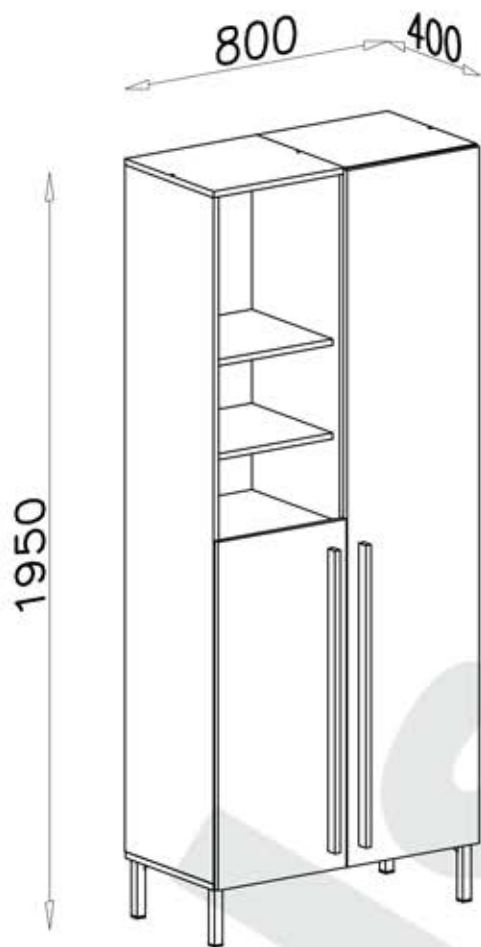
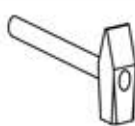
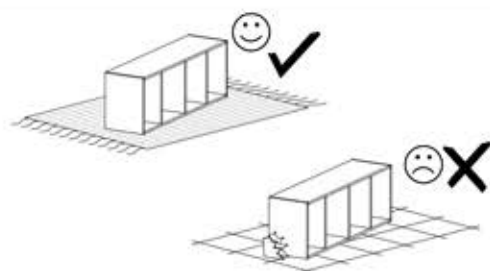








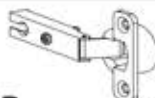





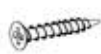
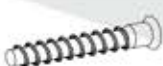



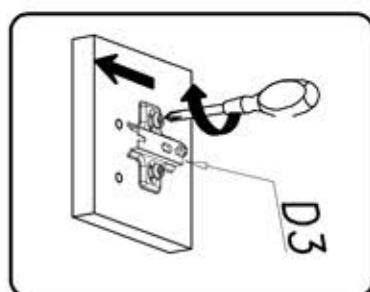
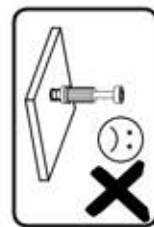
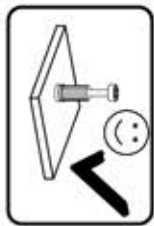
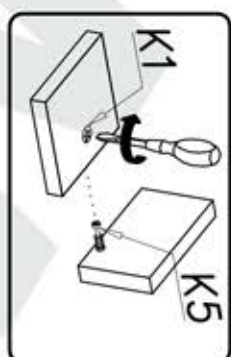
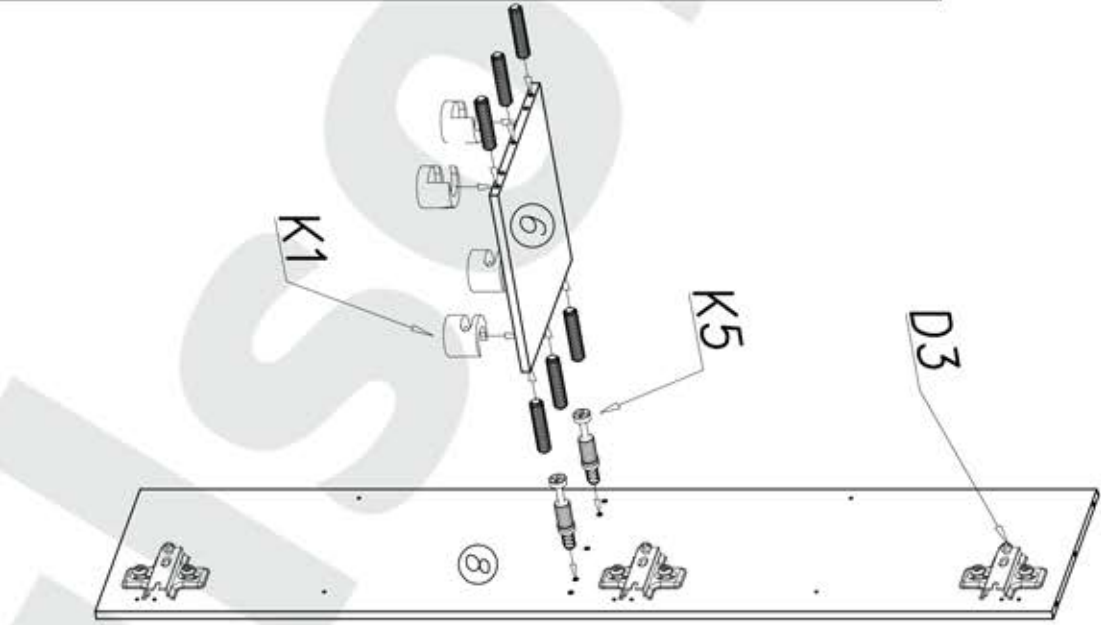
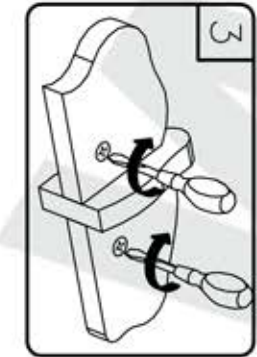
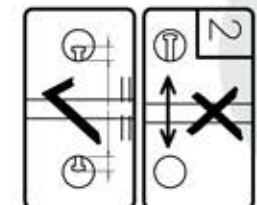
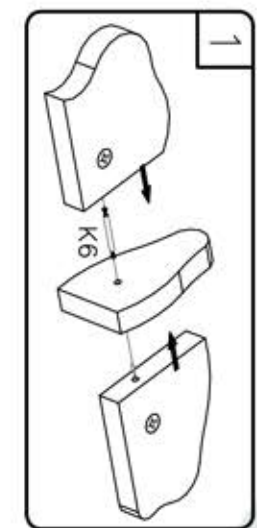
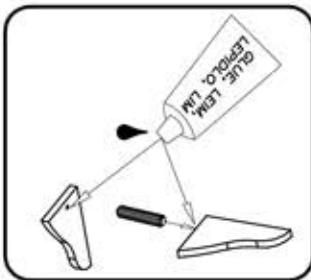
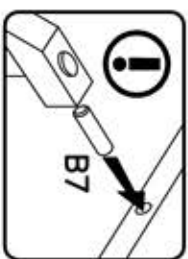
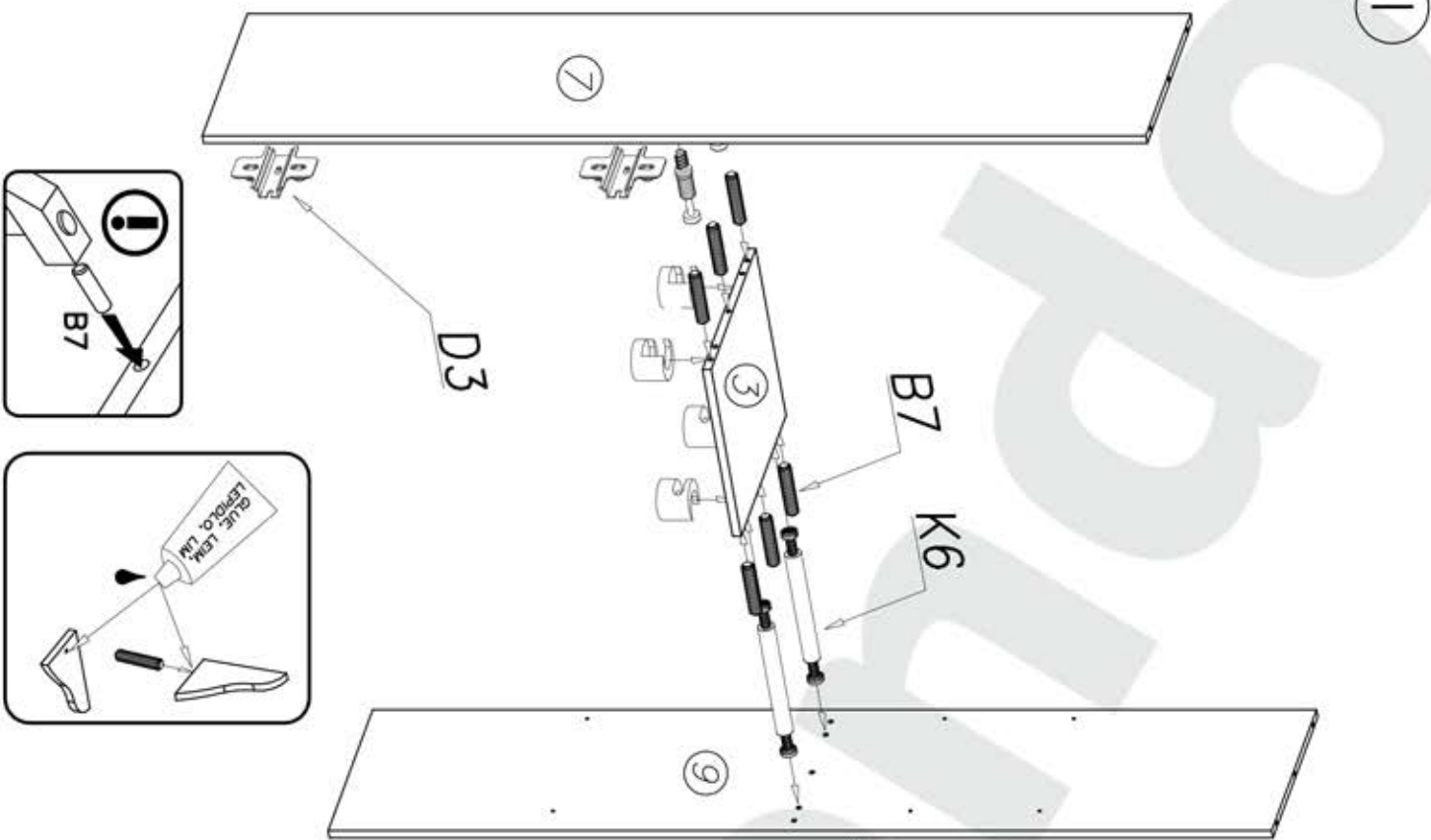


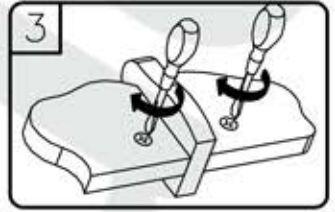
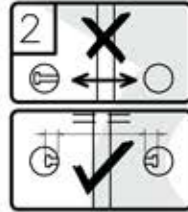
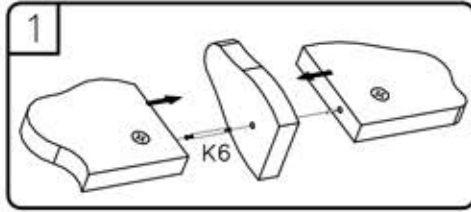
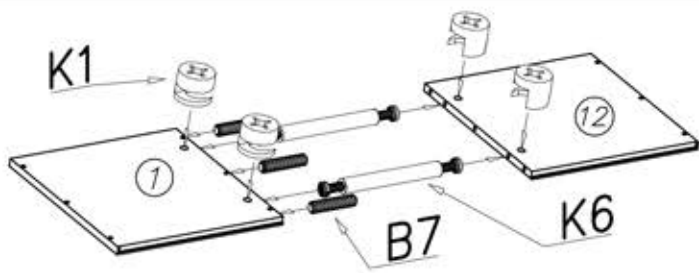
SERGIO SE 3



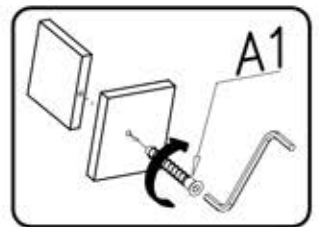
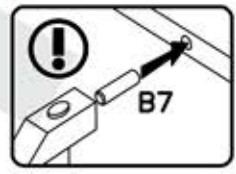
B2  $\varnothing 6 \times 30$ x8	G8  4×30 x8	E2  779mm x2	F1  x20	K6  x4
I7  $\varnothing 18$ x12	W1  GLUE, LEIM, LEPIDLO, LJM x2	D3  PZ35 x5	C3  Z35PR x5	S2  x15
W2  x1	G4  4×16 x10	P7  x4	G10  6×13 x12	G2  3×20 x55
A1  $\varnothing 7 \times 50$ x6	B7  $\varnothing 8 \times 30$ x27		K5  x4	K1  $\varnothing 15 \times 12$ x12



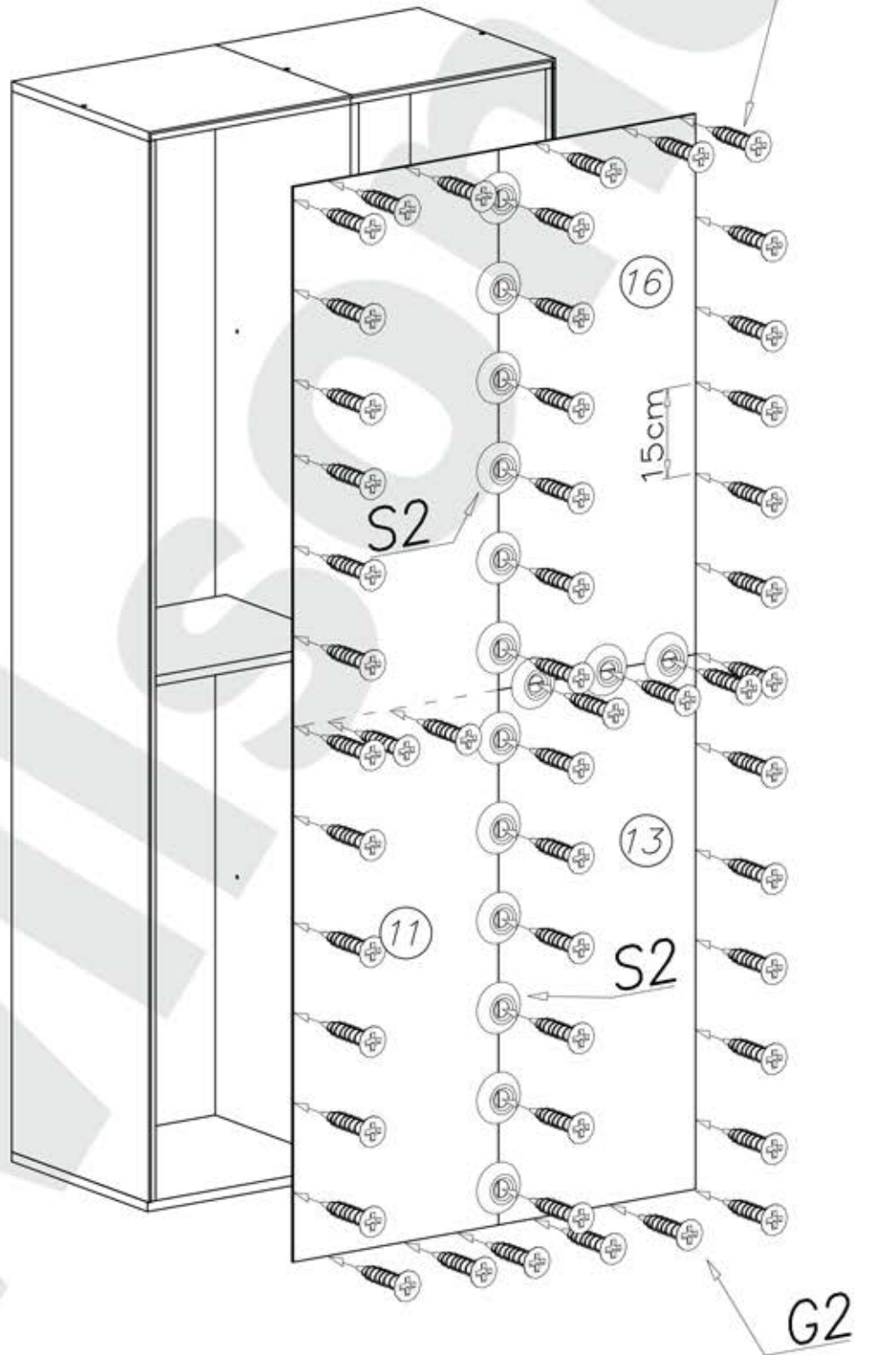
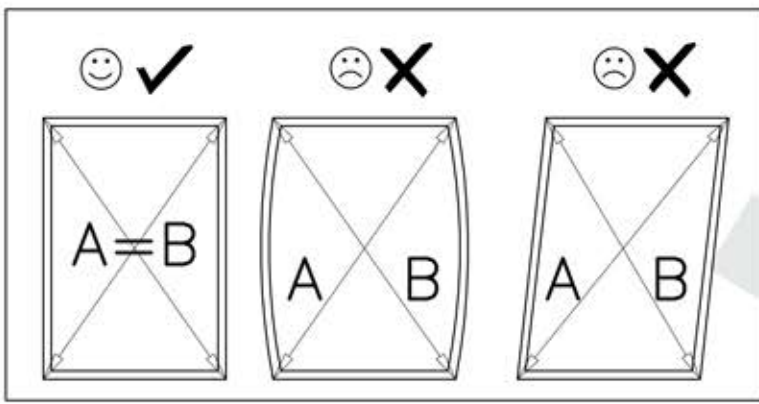
II



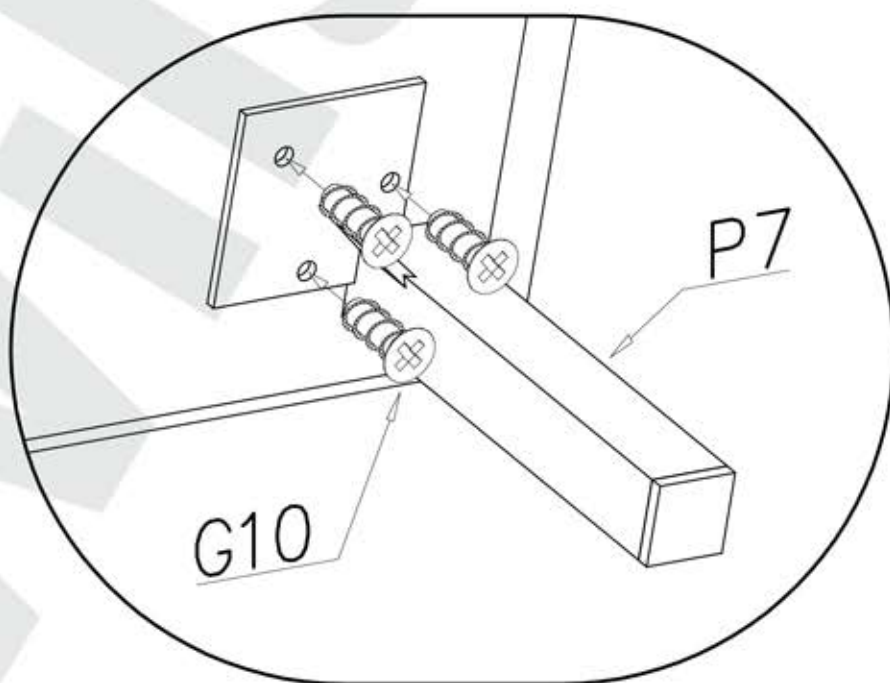
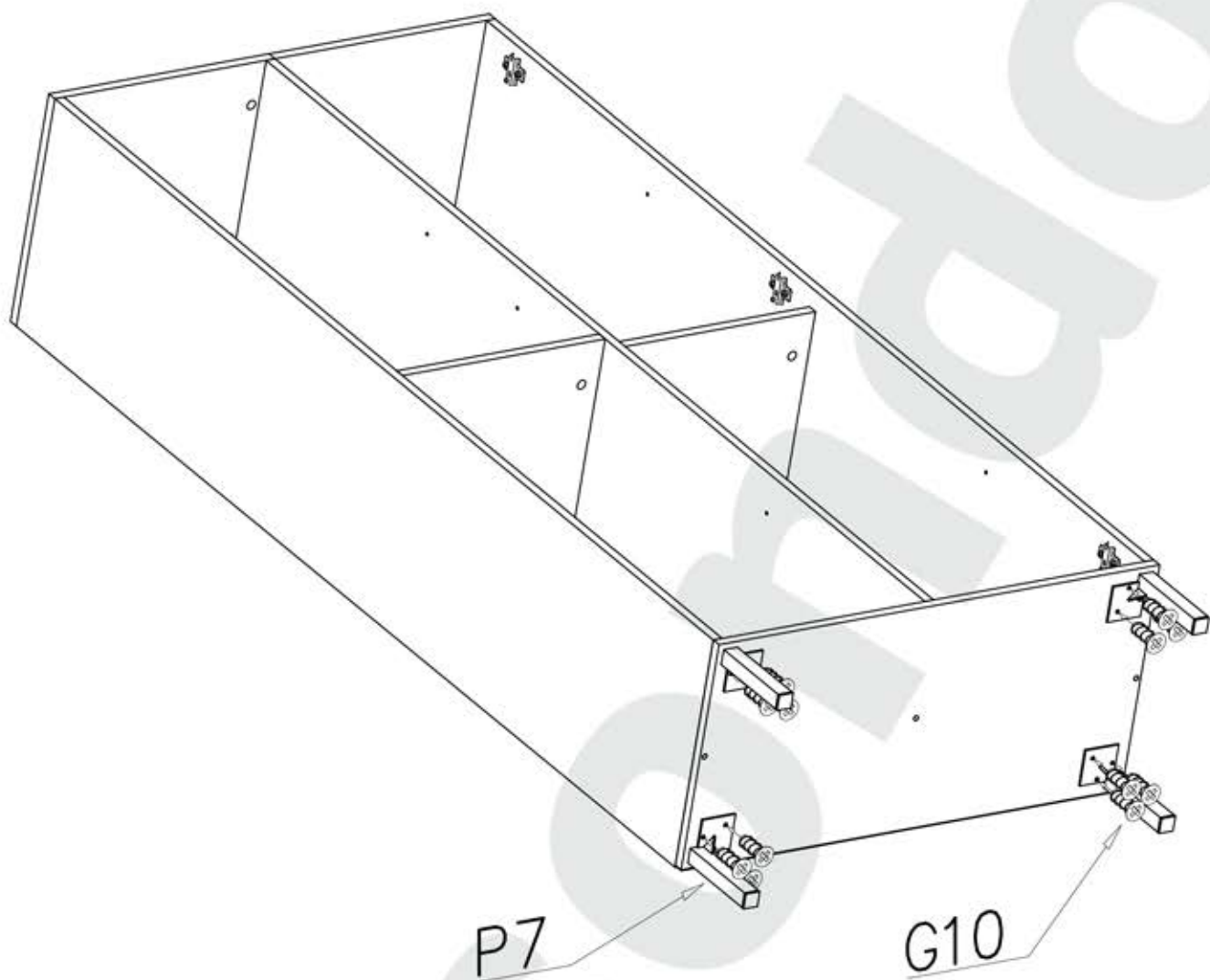
III



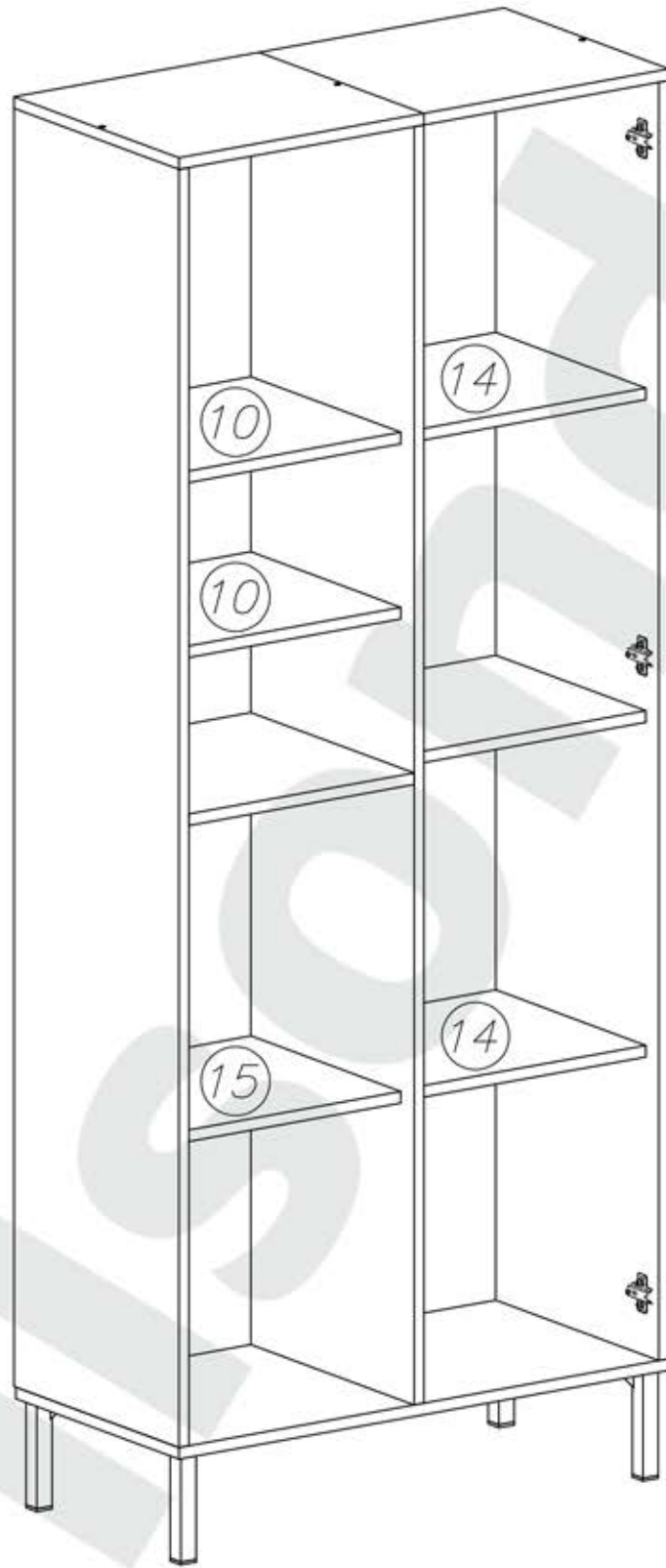
IV



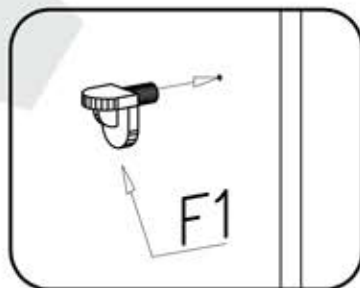
V



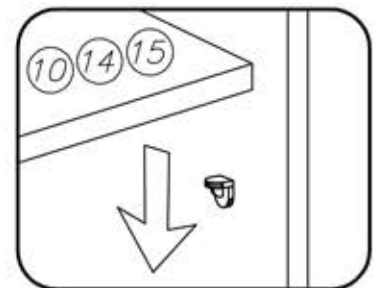
VI



1



2



VII

