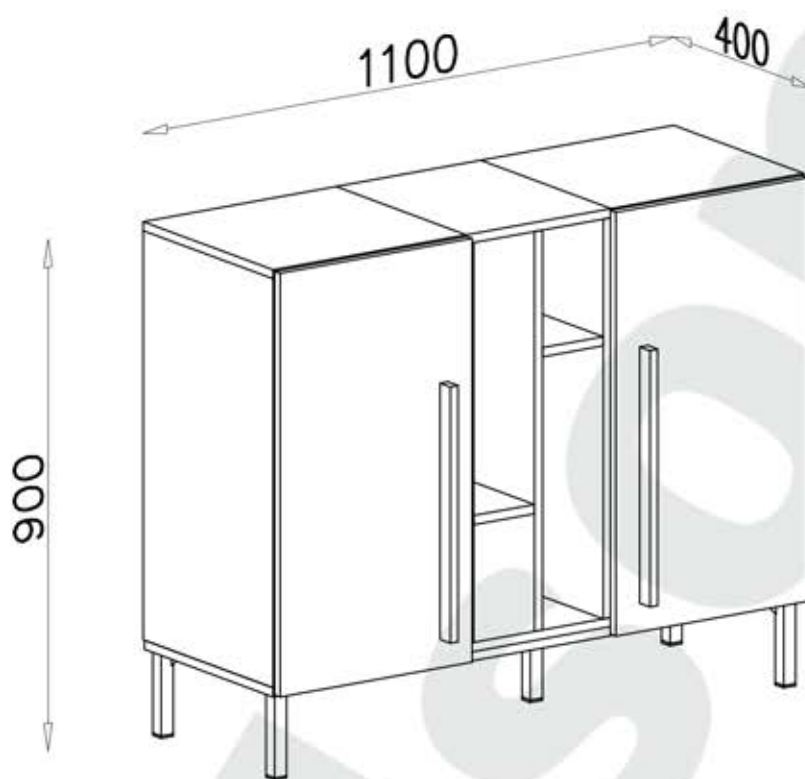
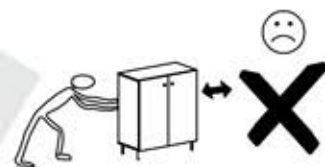
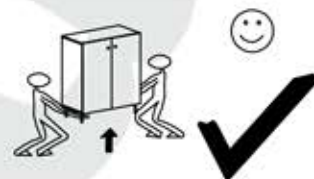
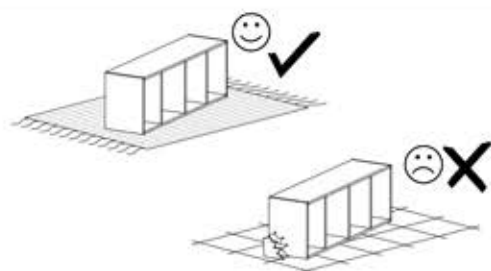
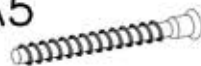



SERGIO SE 7




A5

 ø7x60 x2

B2

 ø6x30 x6


G8


 4x30 x4

E2

 450mm x2

F1


 x16

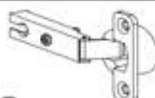
K6

 x4

I7

 ø18 x15

W1


 GLUE, LEIM, LEPIDLO, LJM x2


D3

 PZ35 x4

C3

 Z35PR x4

S2


 x10

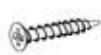
W2

 x1

G4

 4x16 x8

P7


 x5


G10

 6x13 x15


G2

 3x20 x40

A1

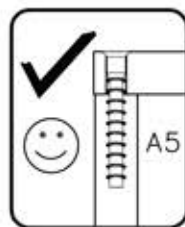
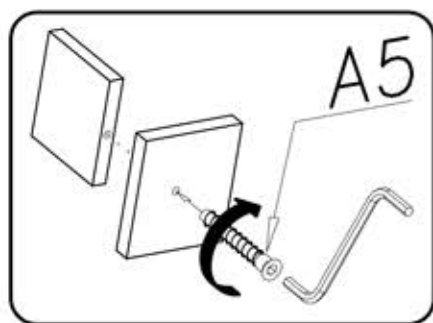
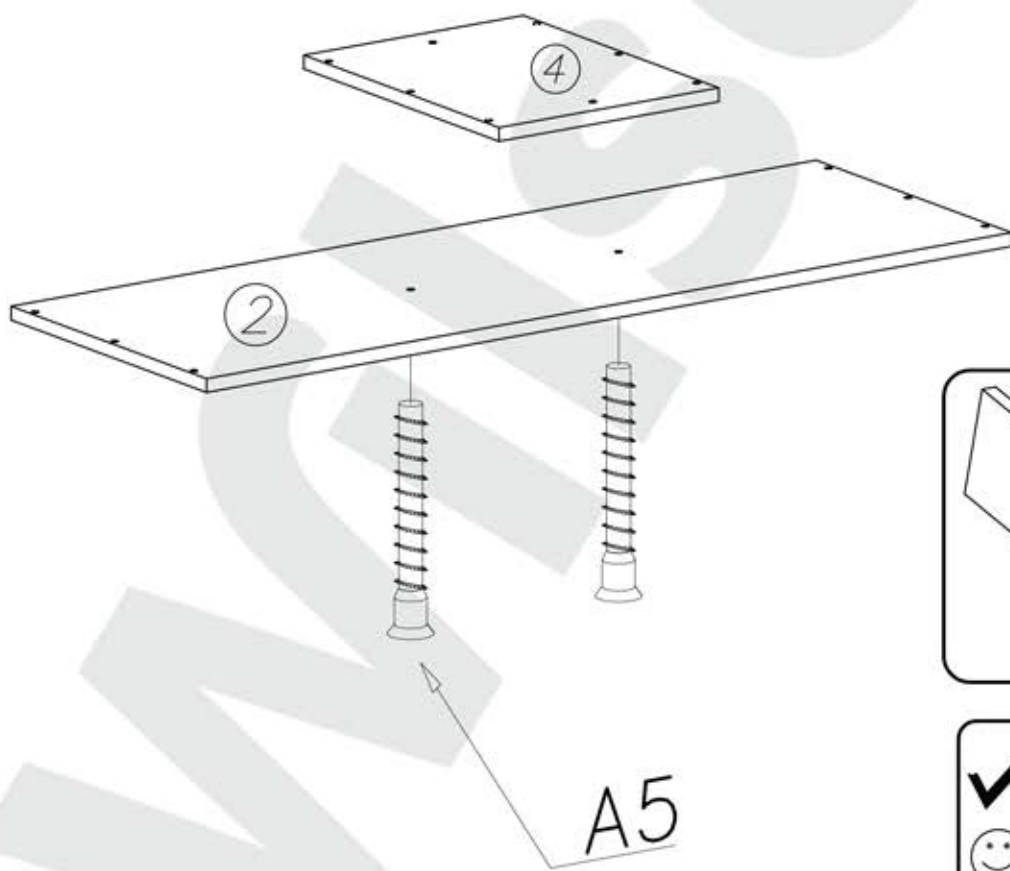
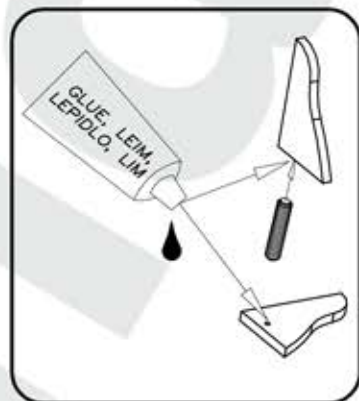
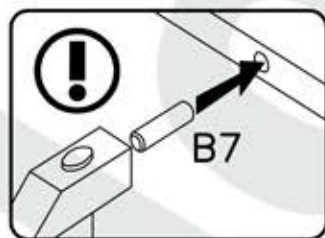
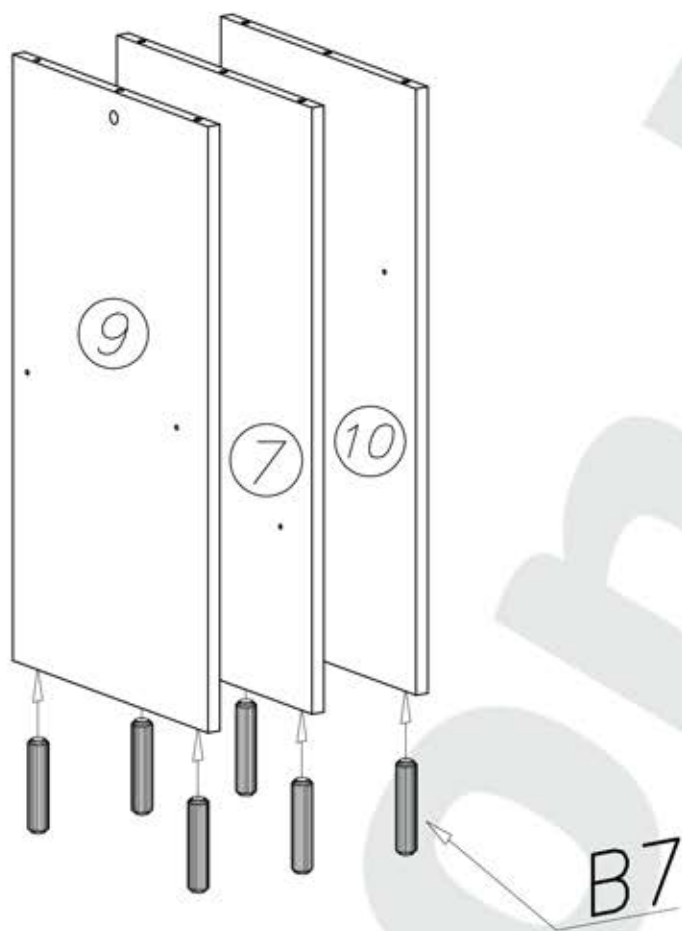
 ø7x50 x2

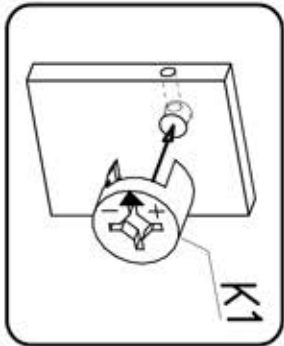
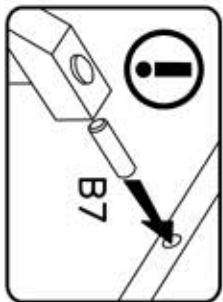
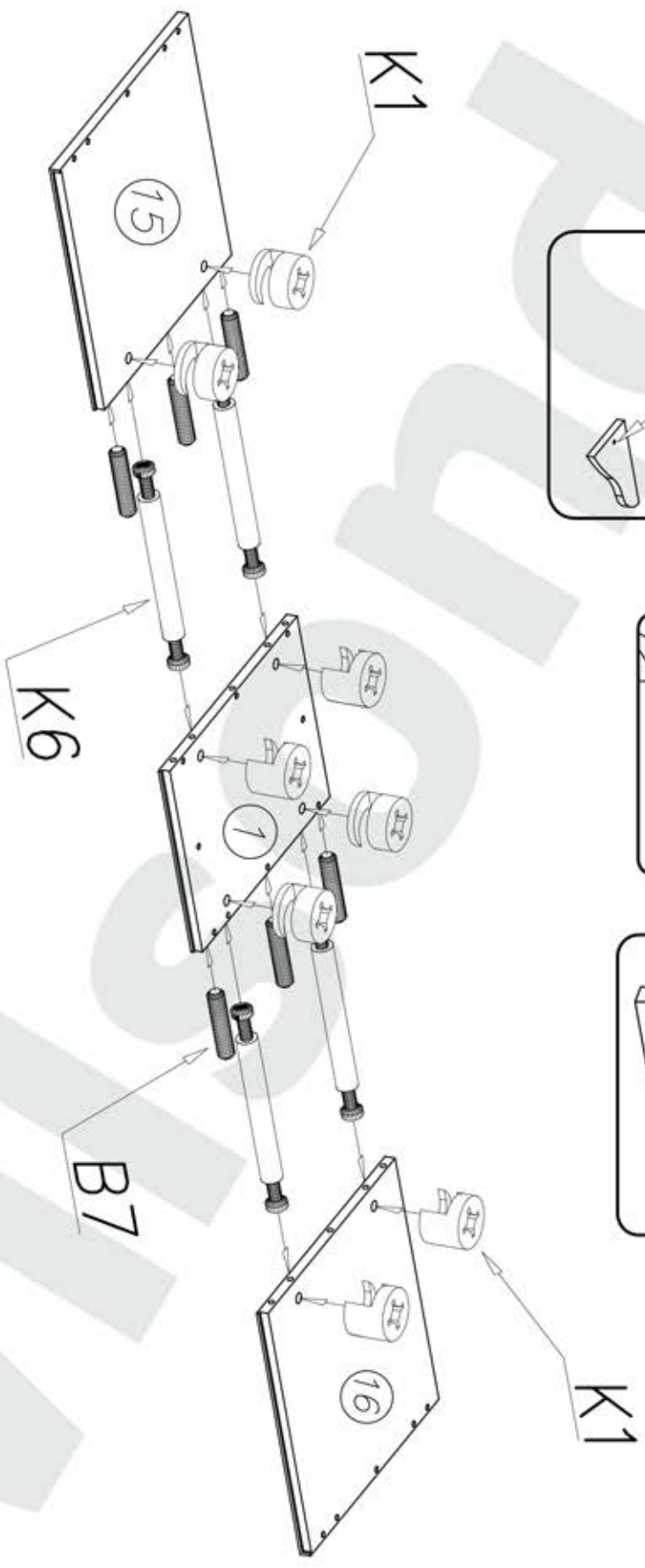
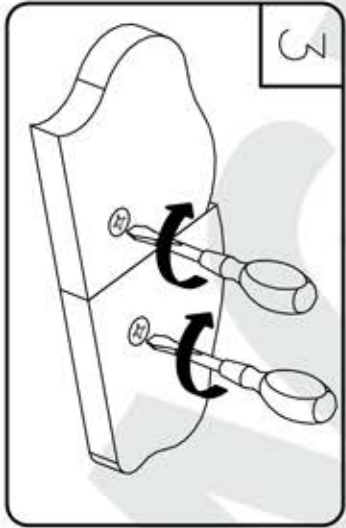
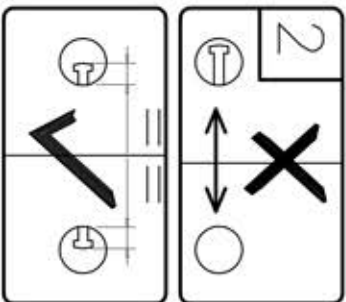
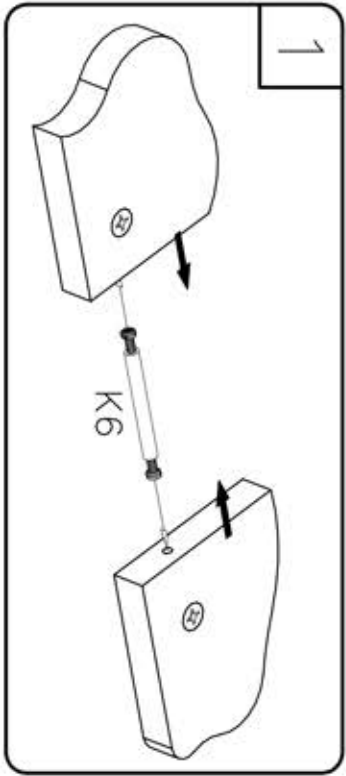
B7

 ø8x30 x22

K5

 x7

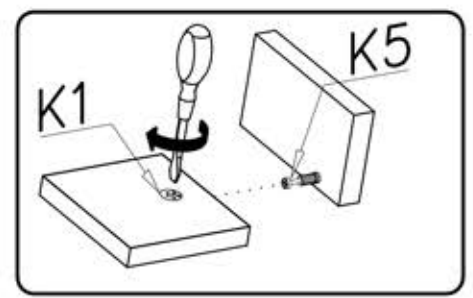
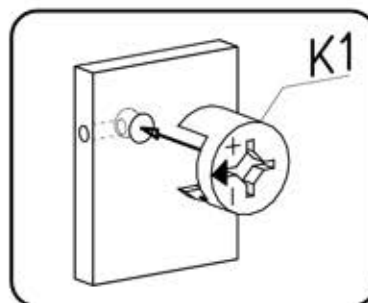
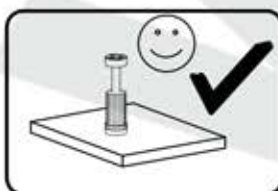
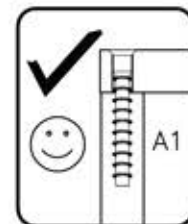
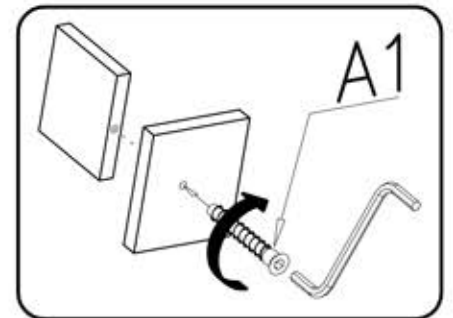
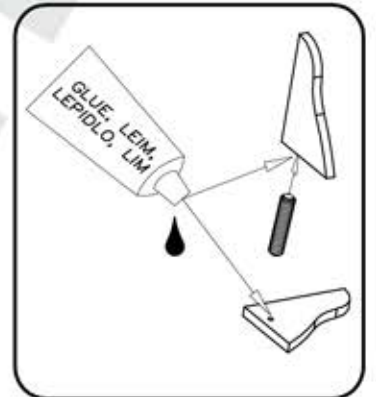
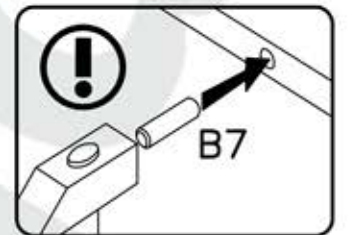
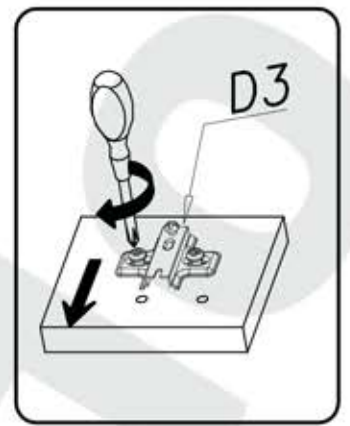
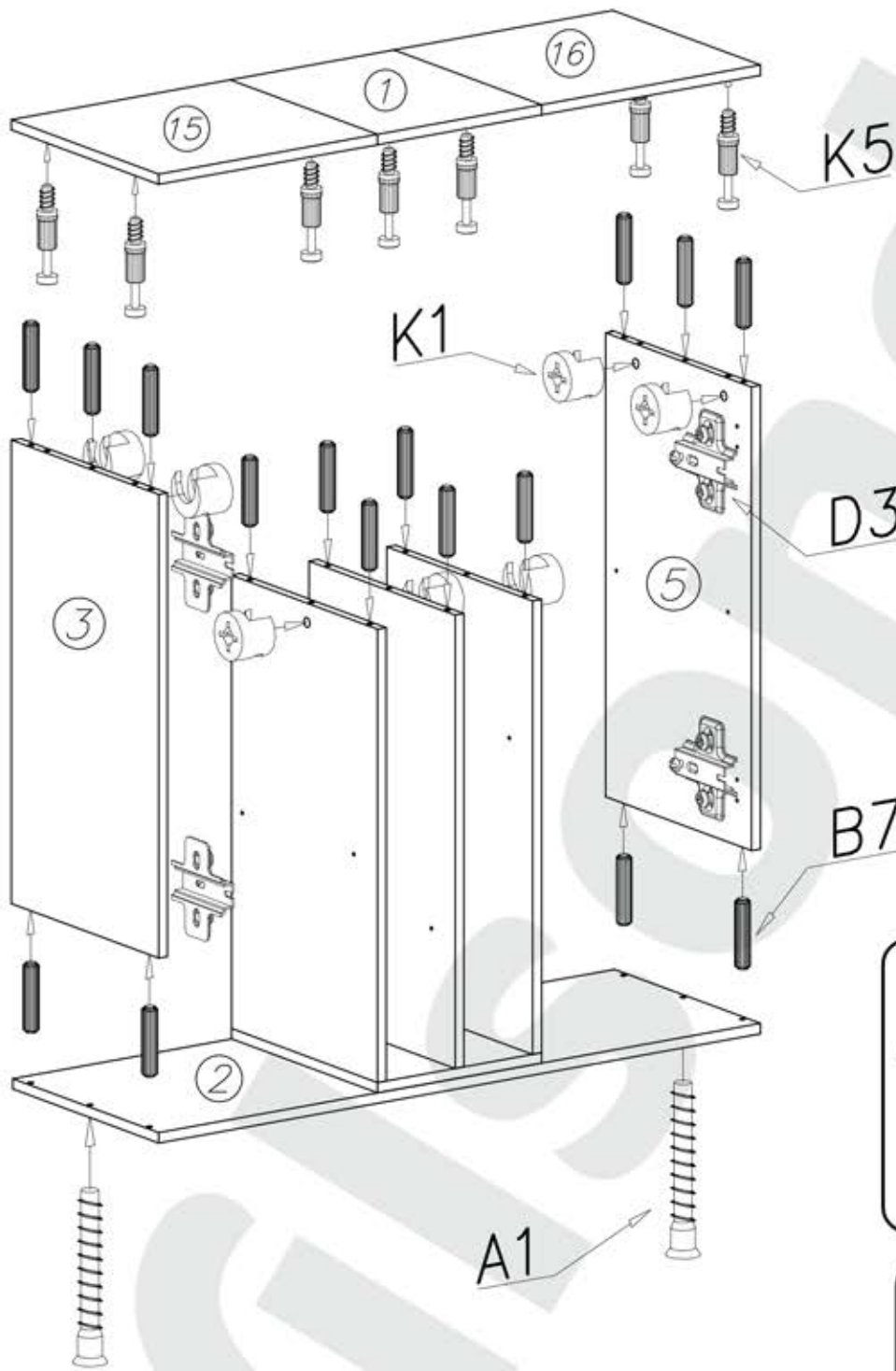
K1

 ø15x12 x15

1

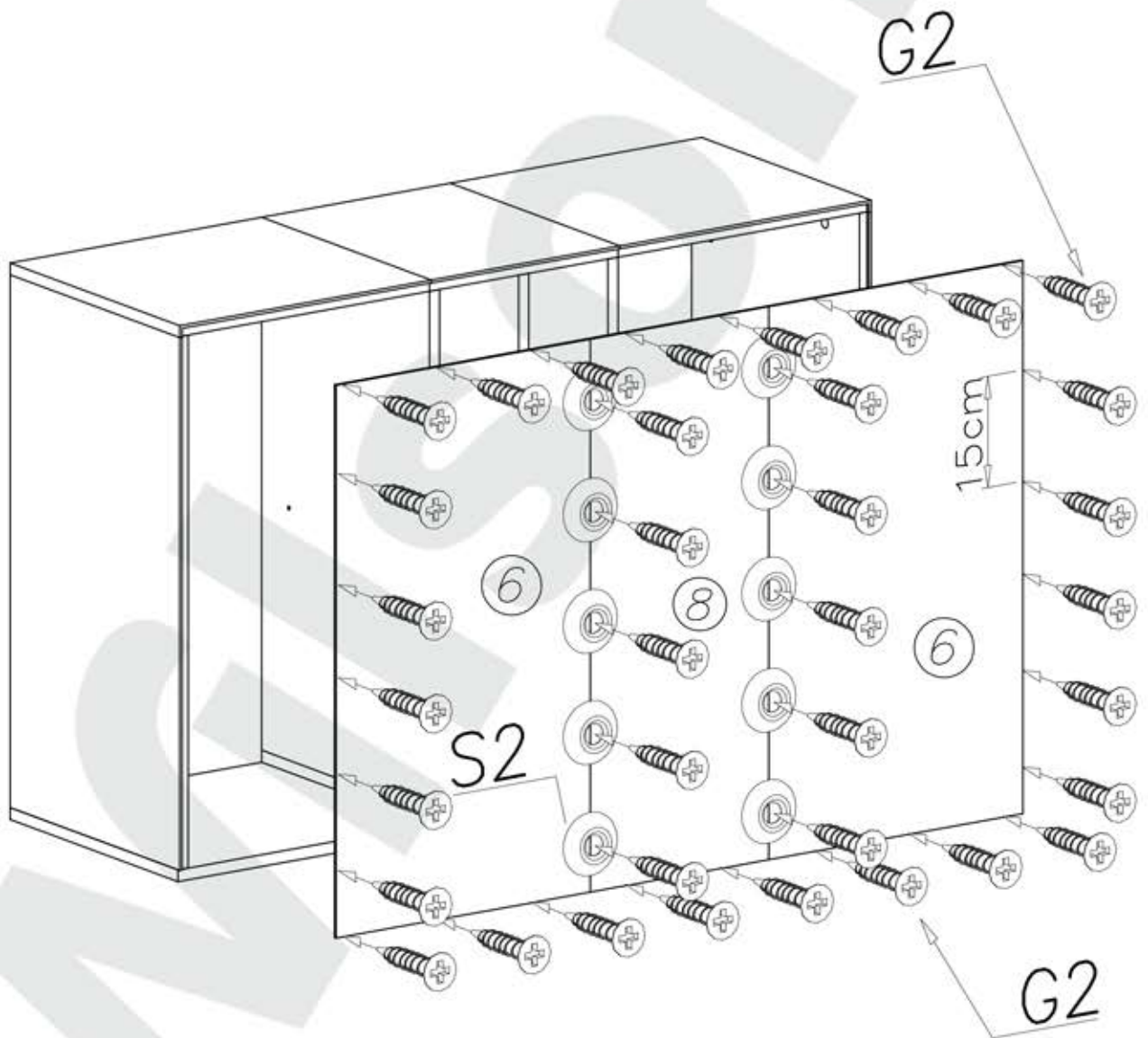
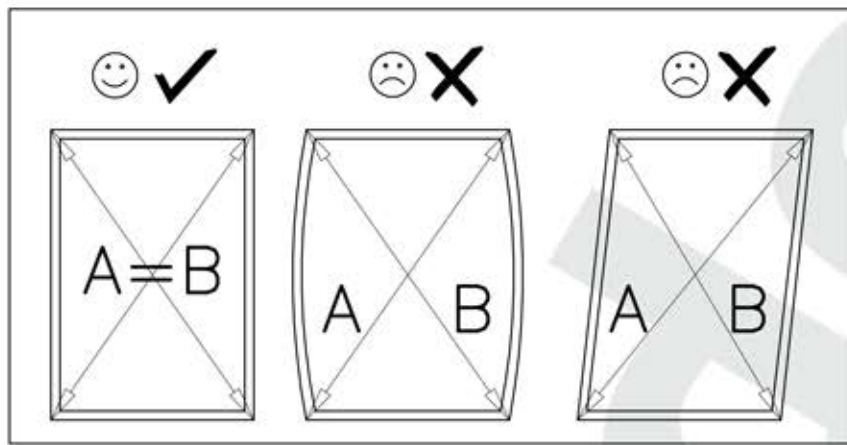




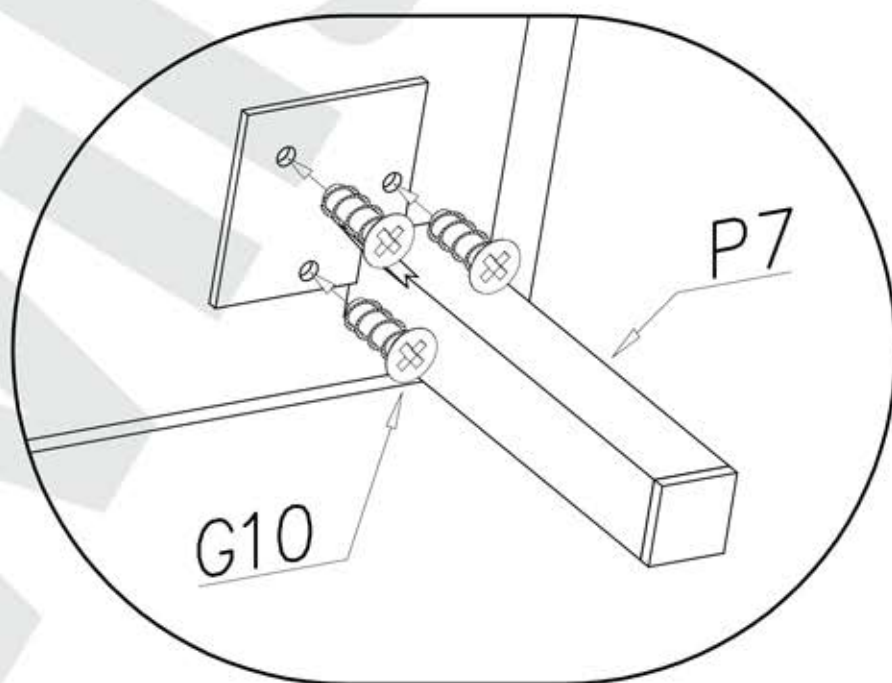
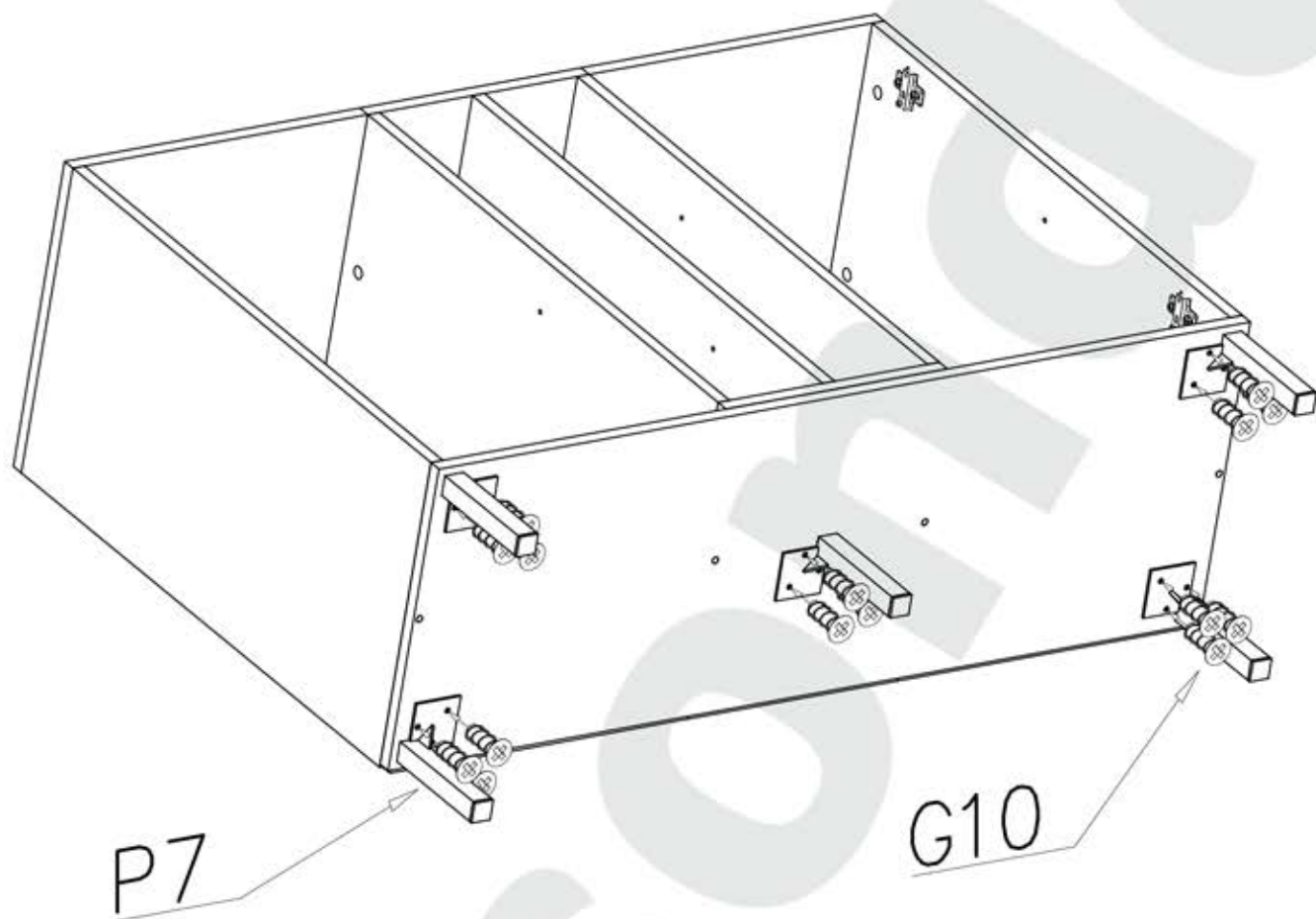
III



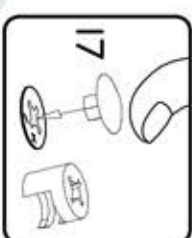
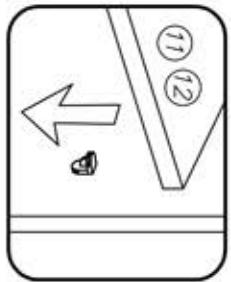
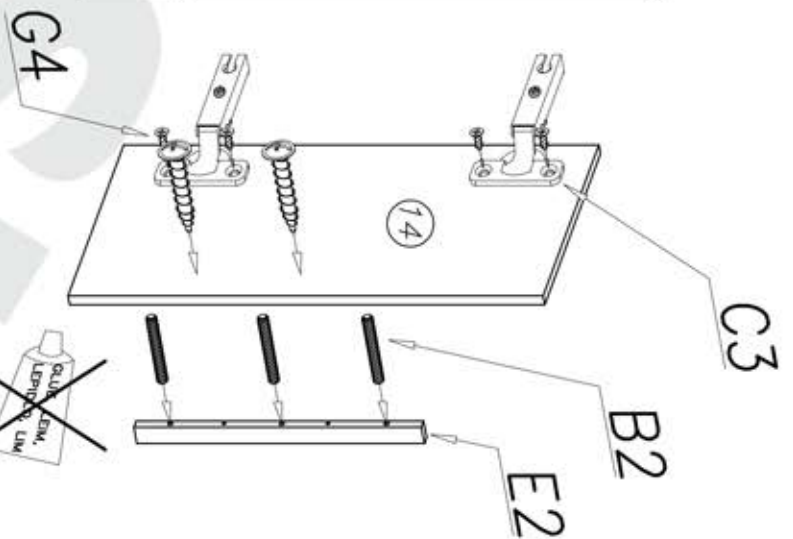
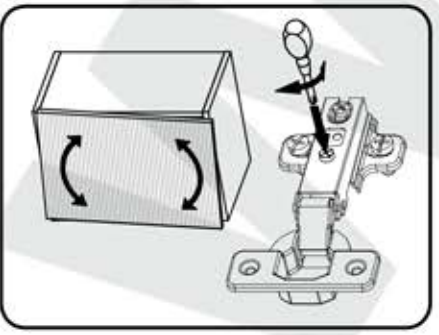
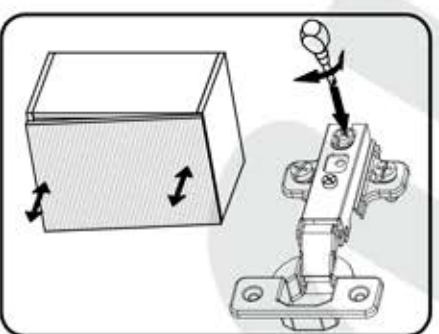
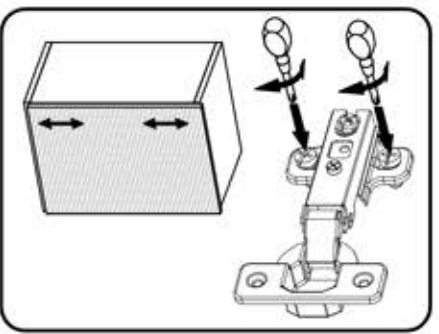
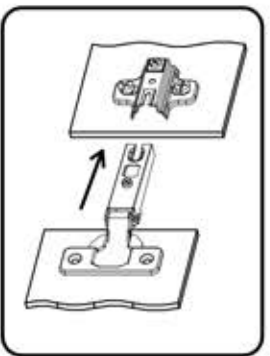
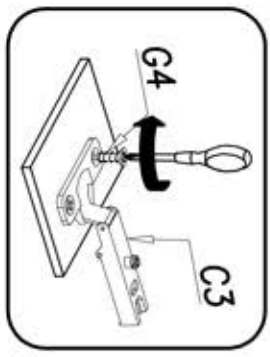
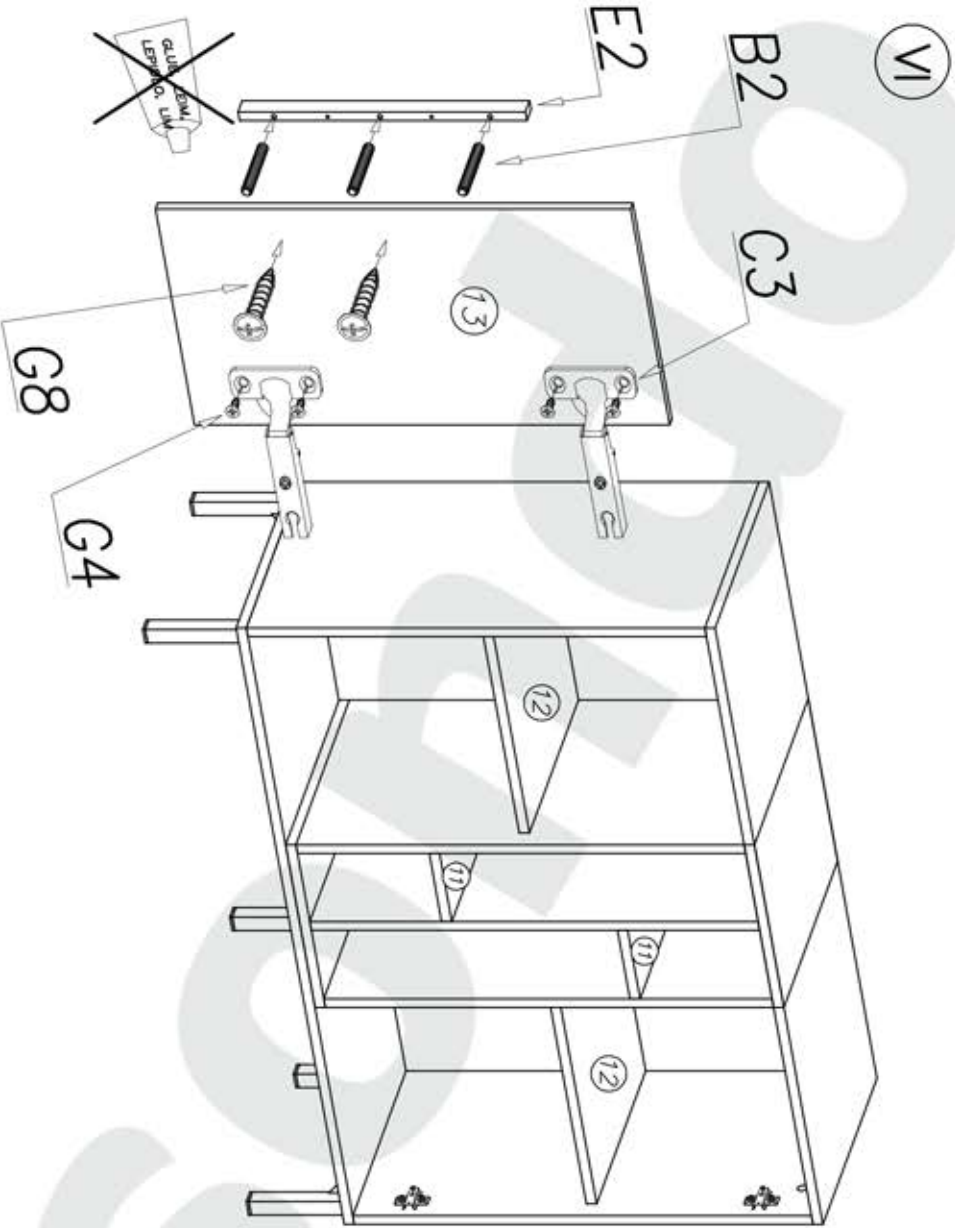
IV



V



VI



1

2

~~GULLI LEMMA LHM~~

~~GULLI LEMMA LHM~~

C3

B2

E2

C3

B2

E2

13

12

11

12

14

G4

G4

G8

G4

C3

F1

17