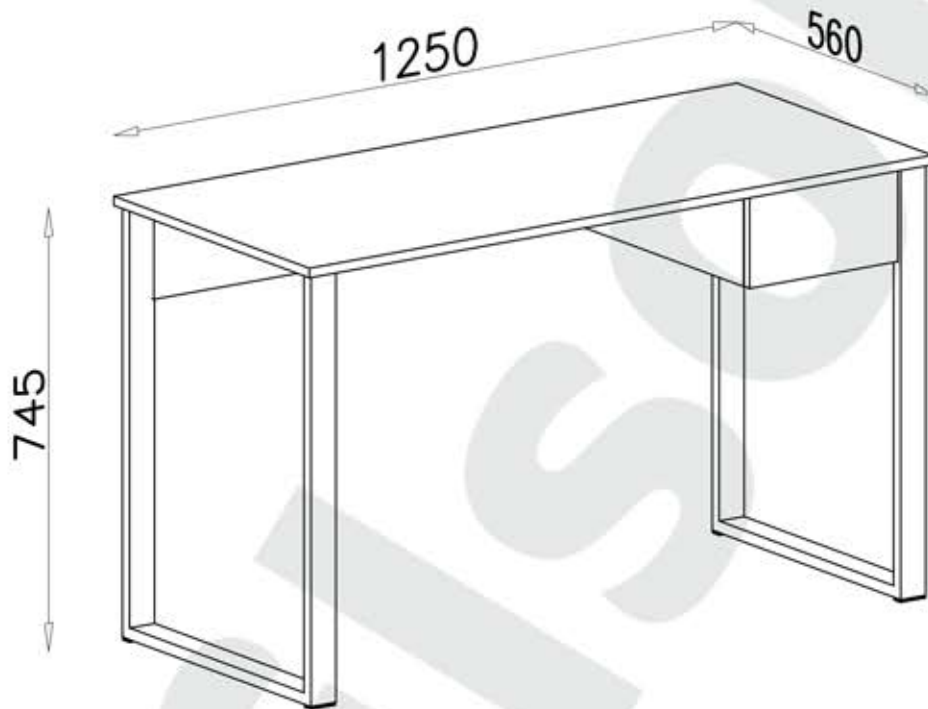
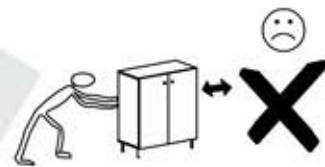
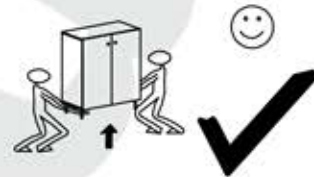
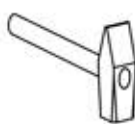
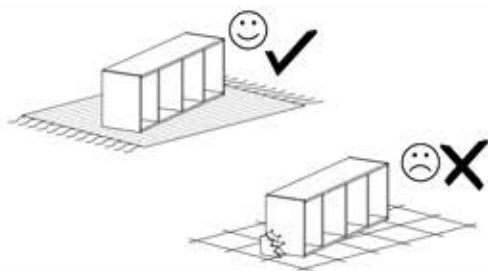






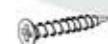




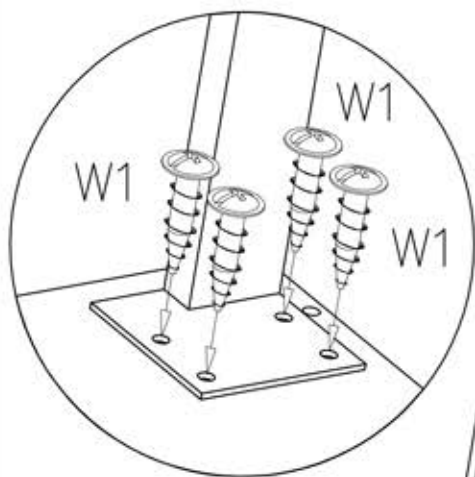


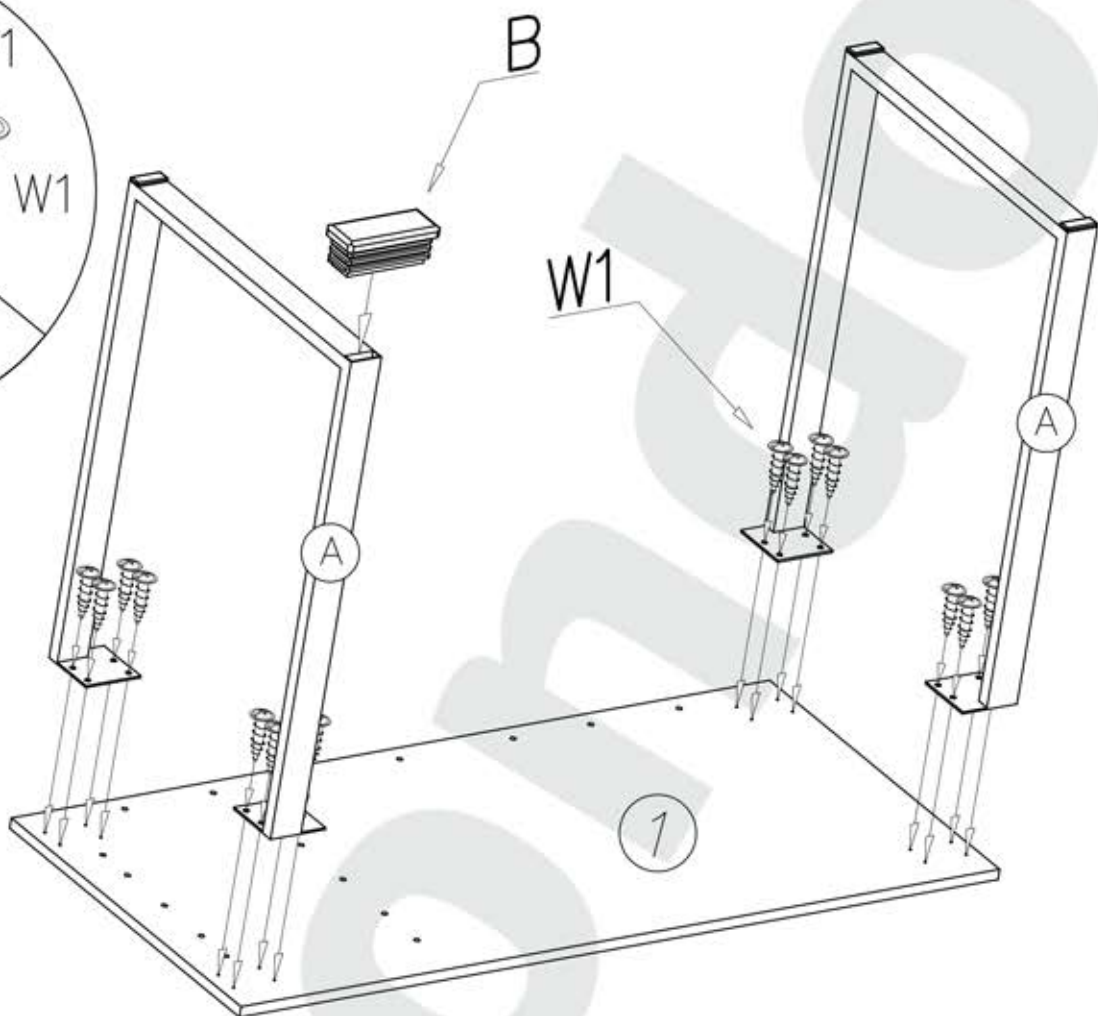
SERGIO SE 9



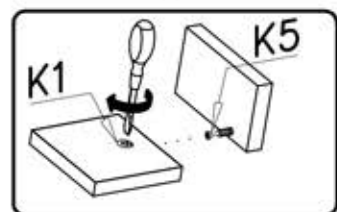
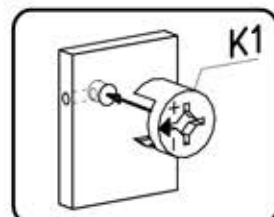
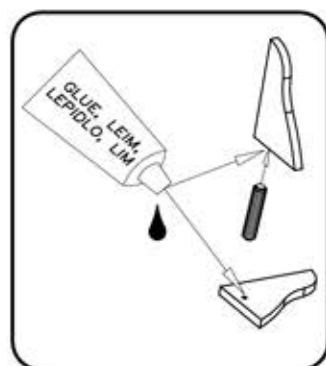
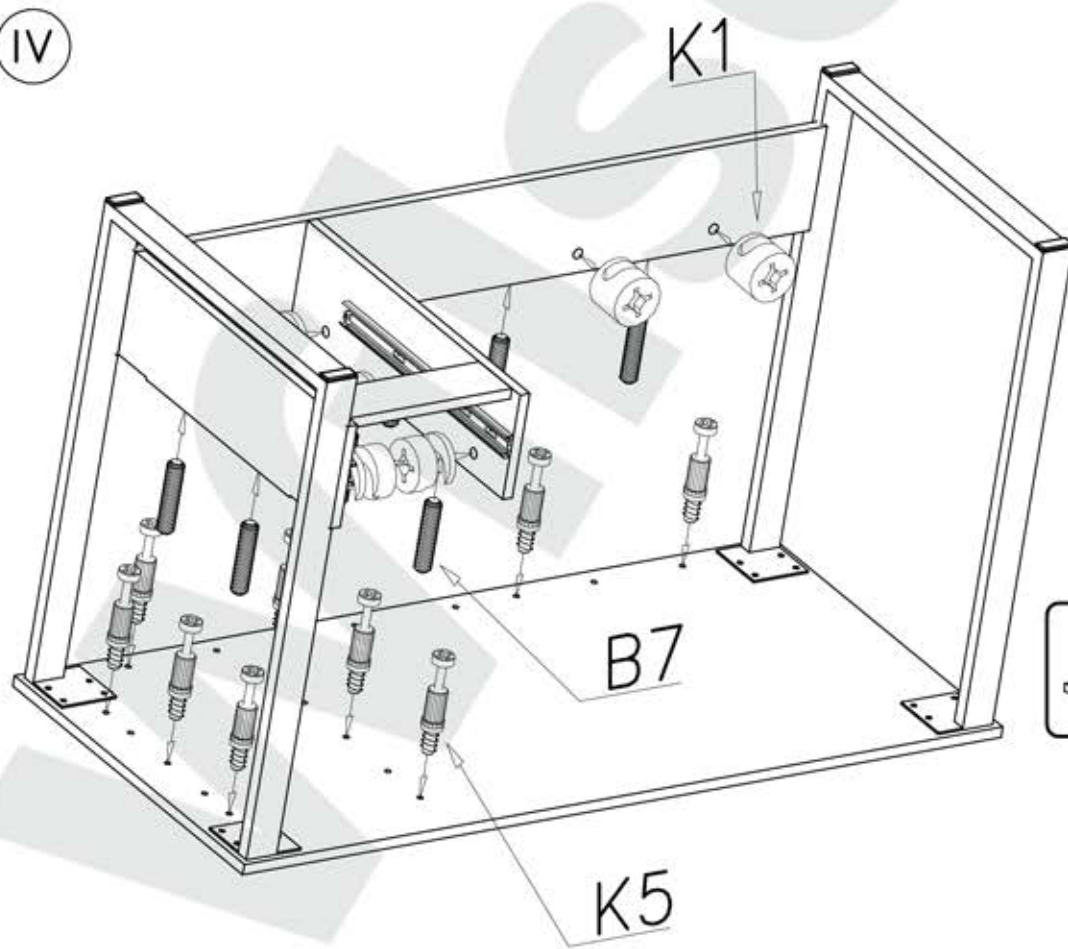
W1 6x16  x16	B  x4
W6  x1 GLUE, LEIM, LEPIDLO, LIM	I7  x16 ø18
K5  x16	K1  x16 ø15x12
G2  x3 3x20	B7  x17 ø8x30
W2  x1	G1  x10 4x13
	H26  x1 400mm



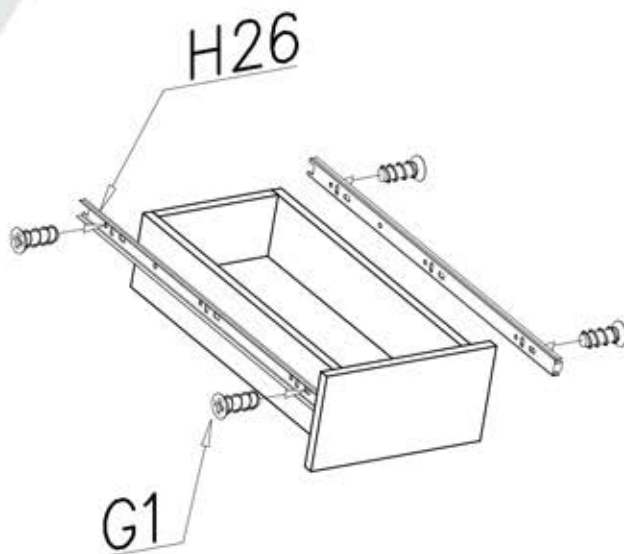
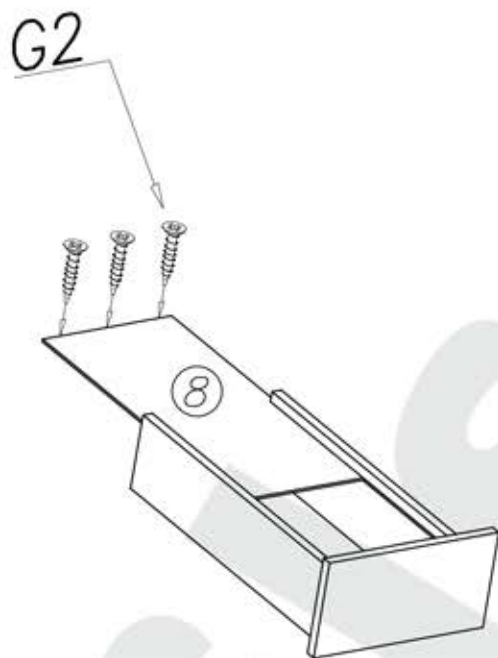
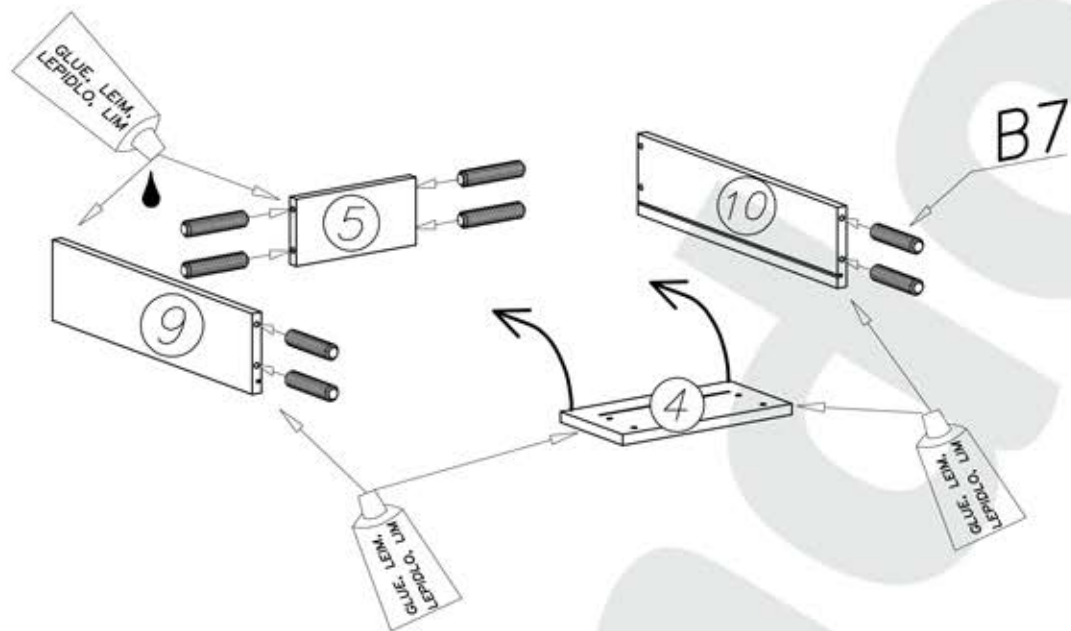
III



IV



V



VI

