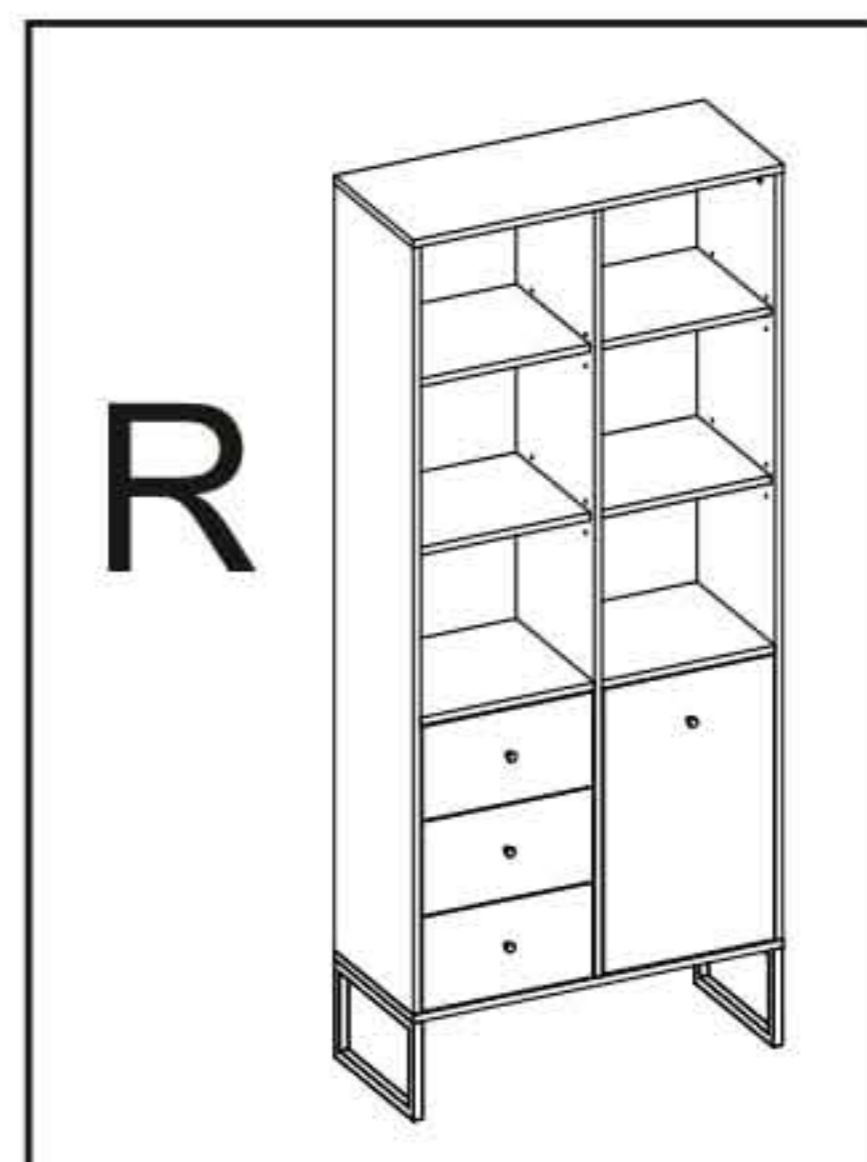
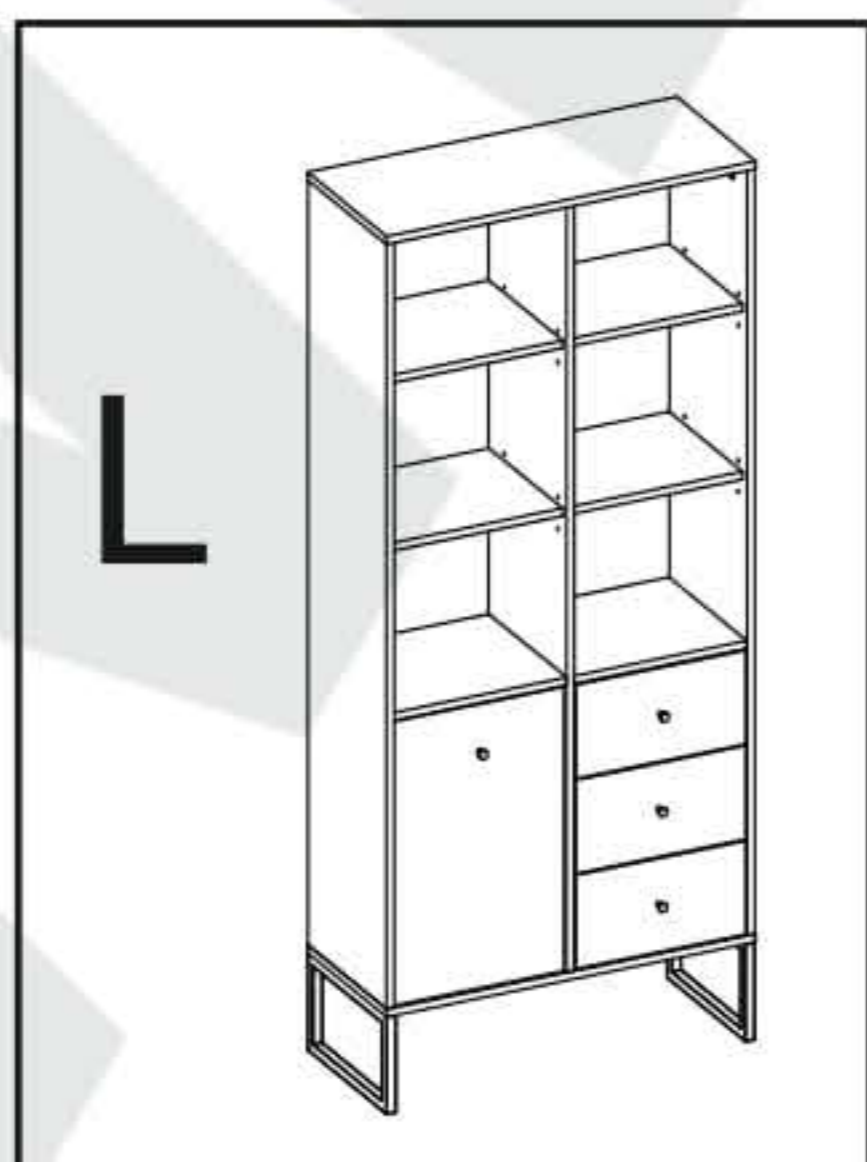
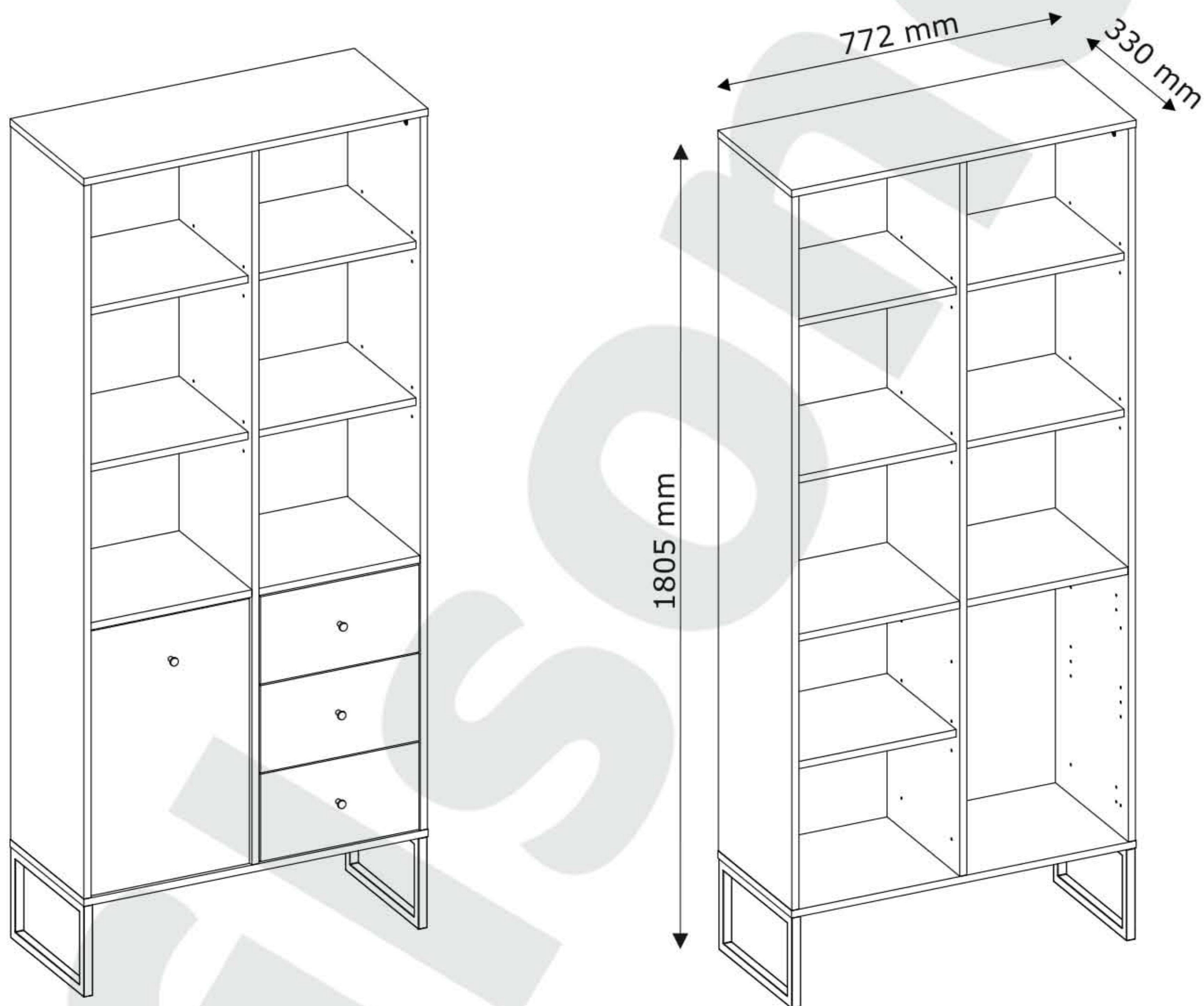
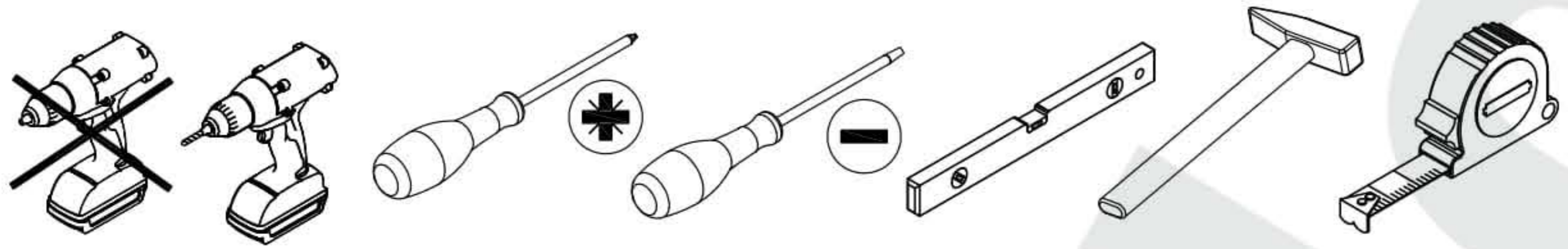
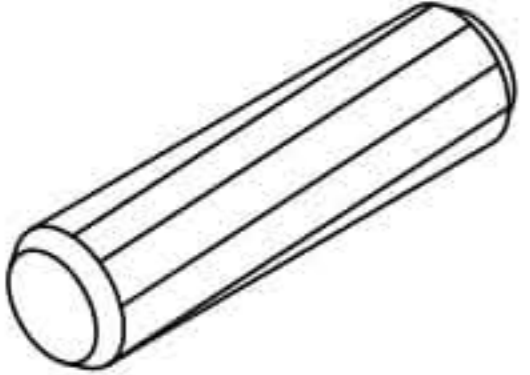
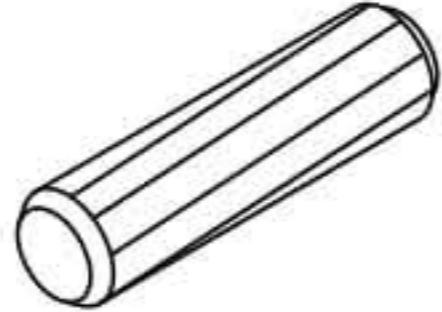
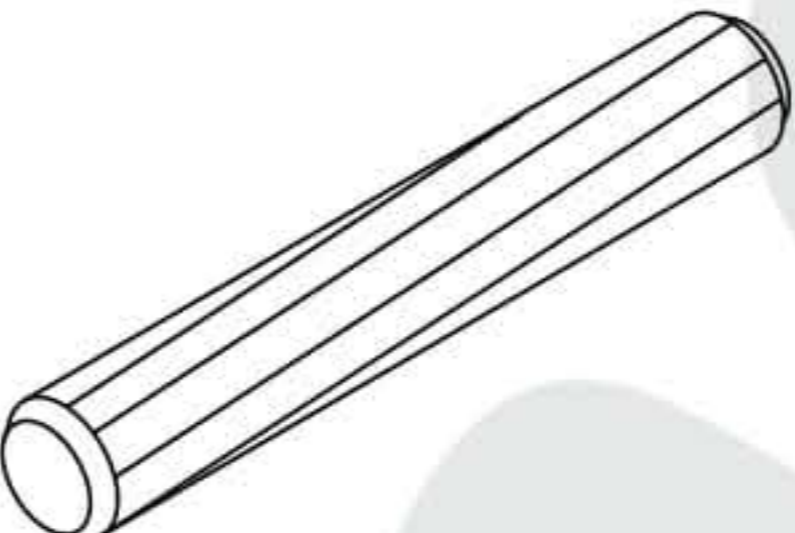



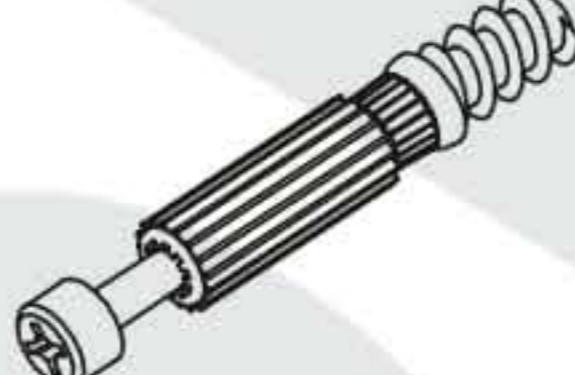
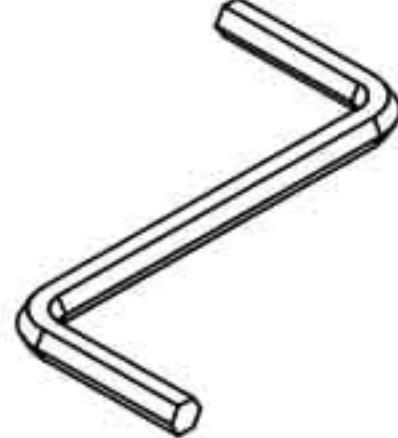



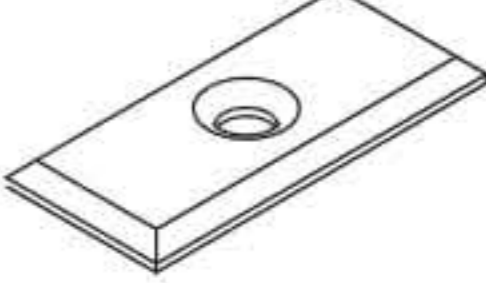
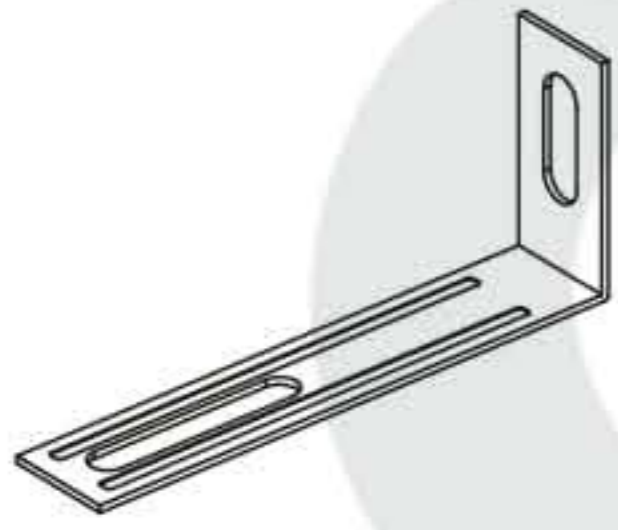


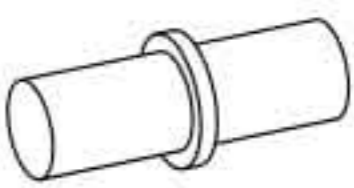
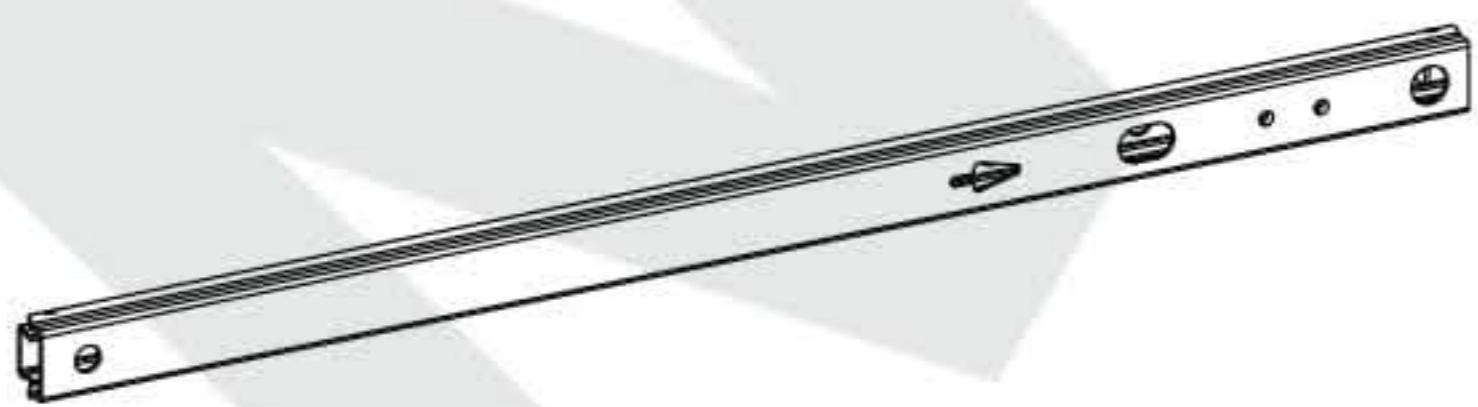
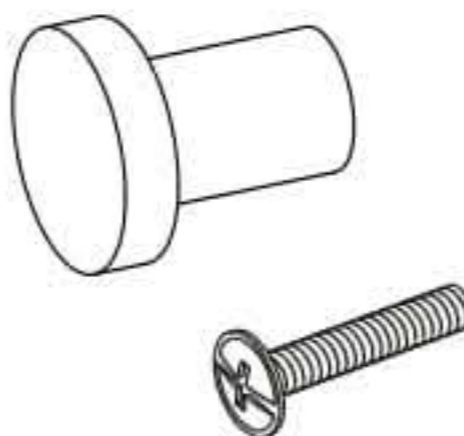



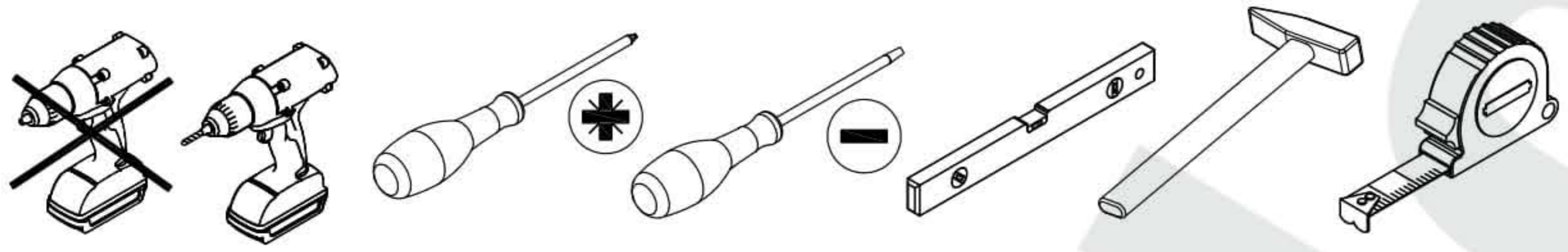
# Linea

## Cabinet 1D3S

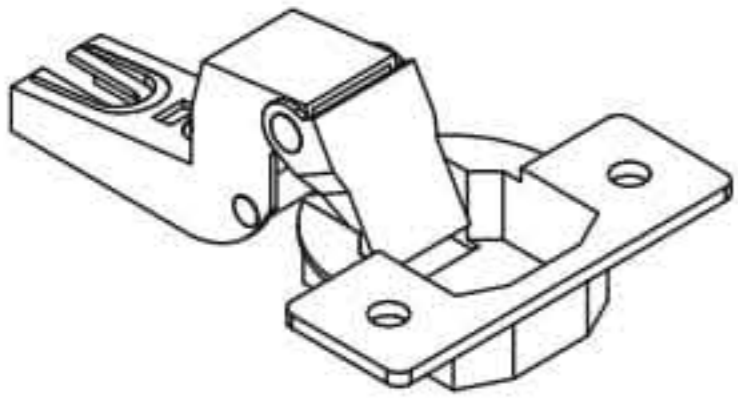




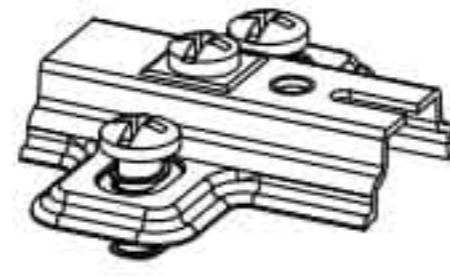
<p>A x 16</p>  <p>Ø8x35 mm</p>	<p>A1 x 6</p>  <p>Ø6x30 mm</p>	<p>A2 x 2</p>  <p>Ø8x60 mm</p>	<p>B x 12</p>  <p>Ø7x50 mm</p>
<p>C x 14</p>  <p>Ø15x12 mm</p>	<p>C1 x 6</p>  <p>Ø12x10 mm</p>	<p>D x 20</p>  <p>Ø5x44 mm</p>	<p>E x 1</p>  <p>4 mm</p>
<p>F x 6</p>  <p>20 mm</p>	<p>F1 x 6</p>  <p>20 mm</p>	<p>G x 42</p>  <p>1,2x25 mm</p>	<p>H x 10</p>  <p>22x9x2 mm</p>
<p>I x 1</p> 	<p>J x 5</p>  <p>3,5x16 mm</p>	<p>M x 12</p>  <p>Ø6,3x13 mm</p>	<p>O x 20</p>  <p>Ø5mm</p>
<p>N1 x 6</p>  <p>278 mm</p>		<p>P x 4</p> 	<p>Q x 6</p>  <p>4x9 mm</p>



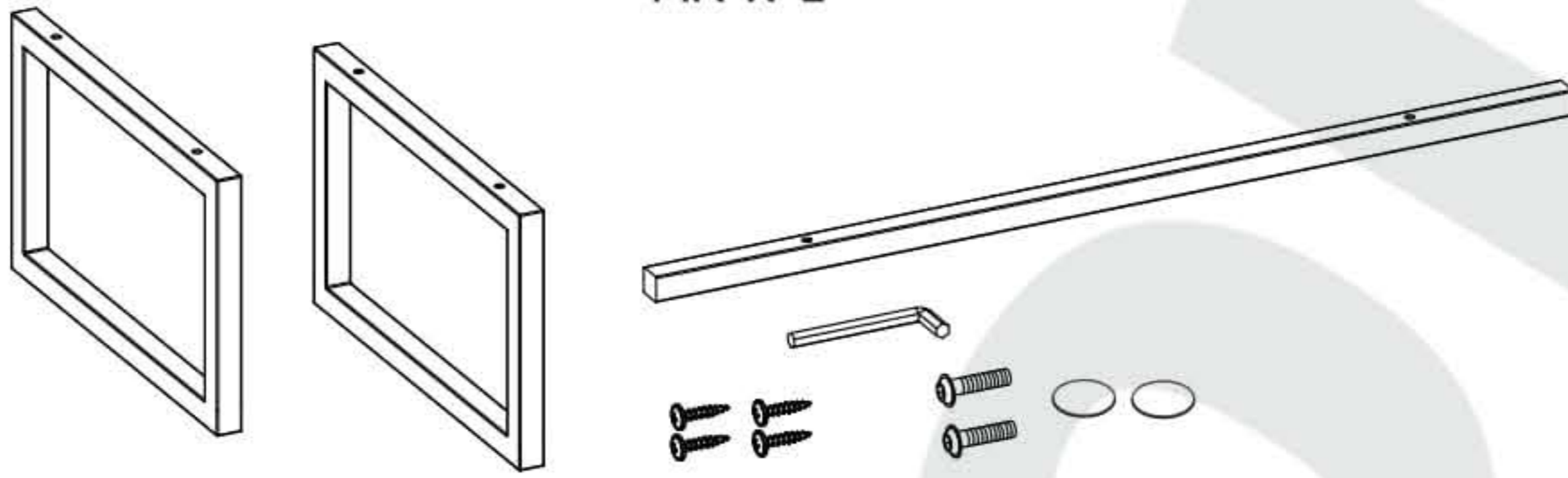
R x 2

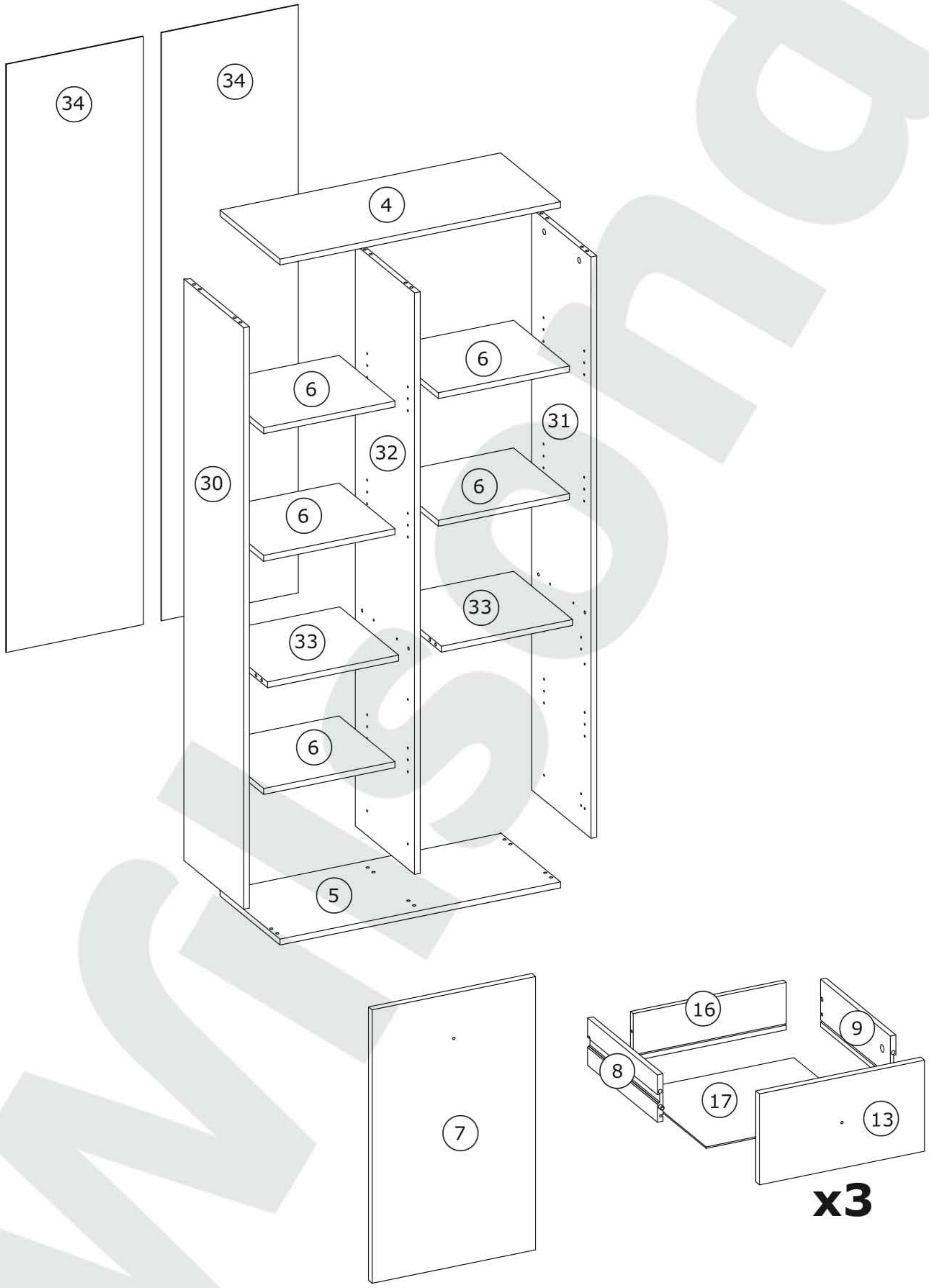


S x 2

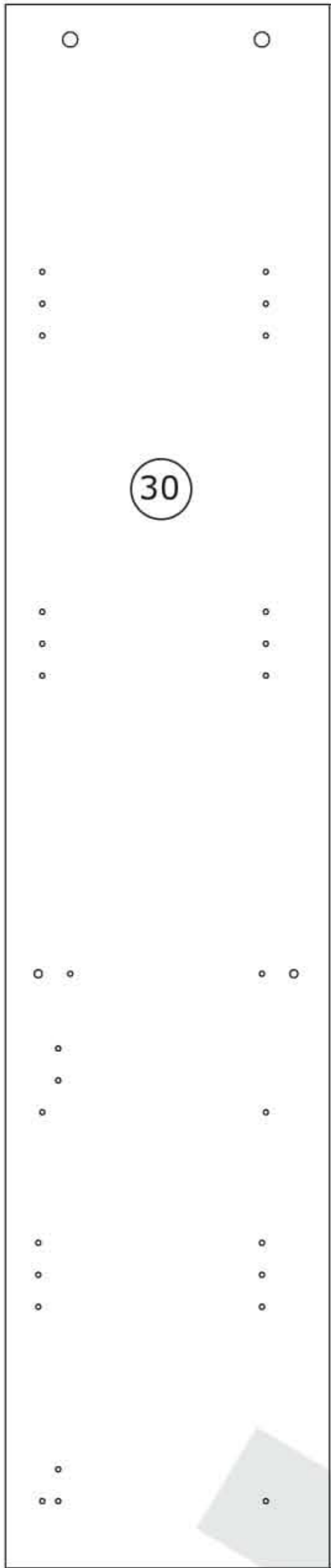


AK x 1

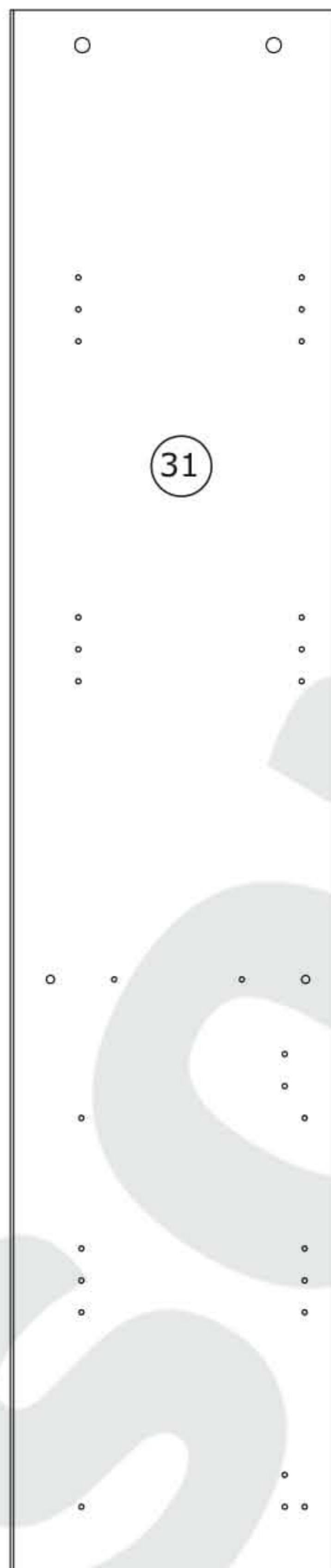




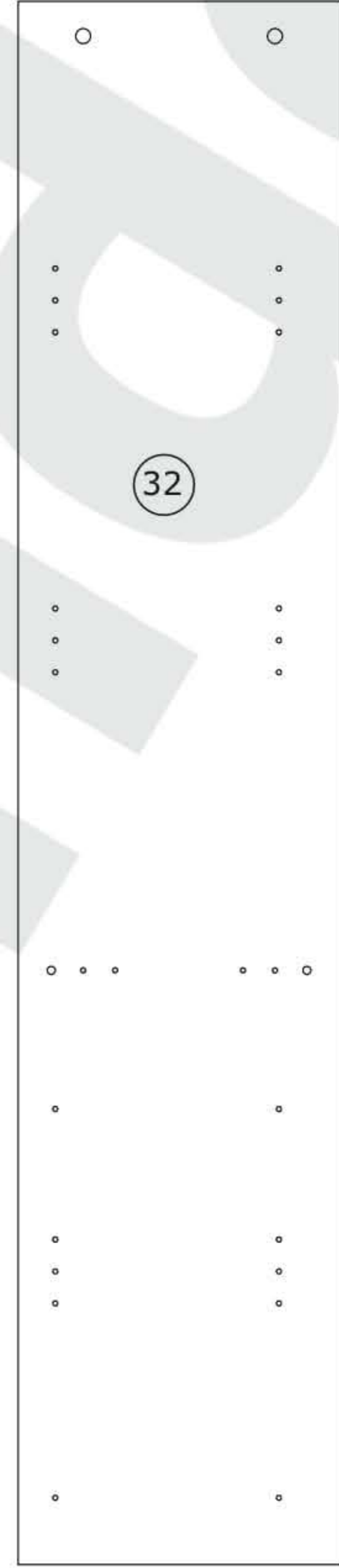
**BOX 1/1:**



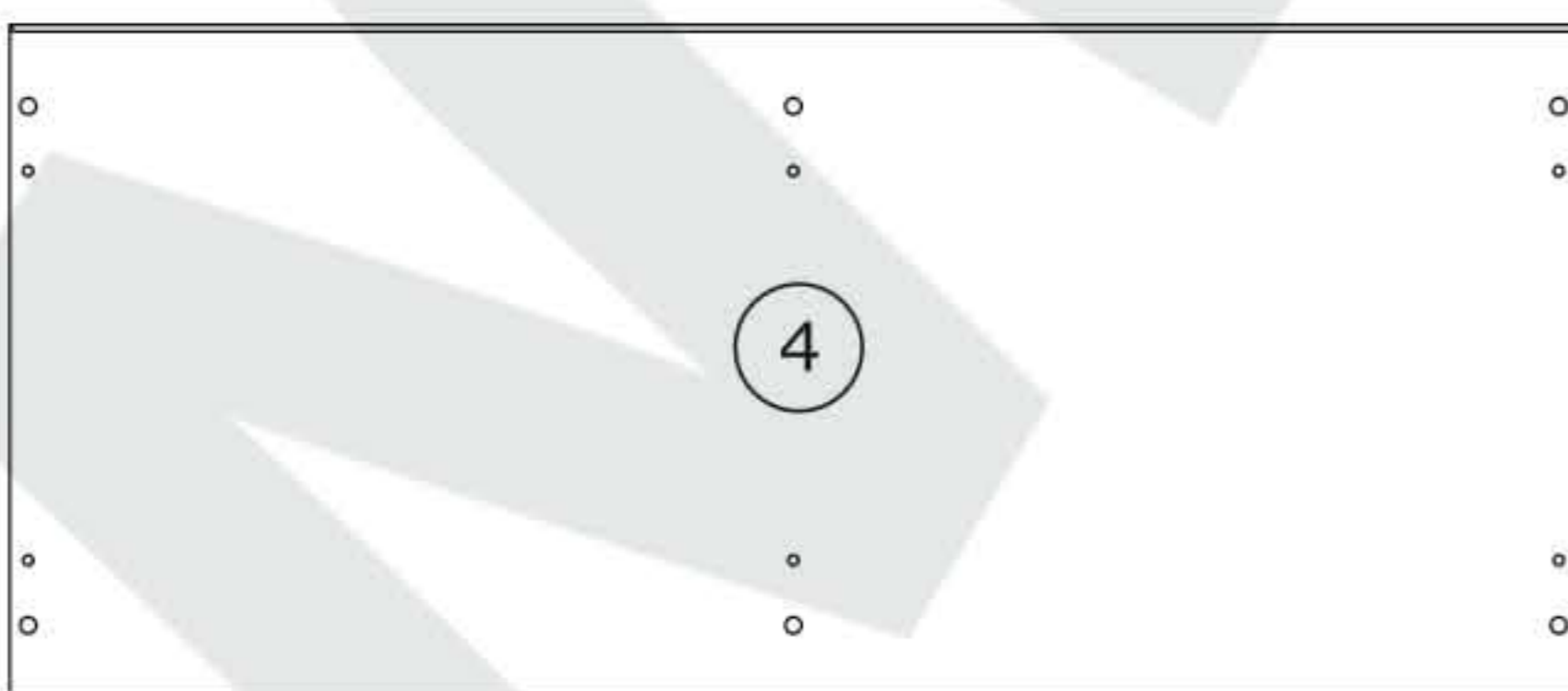
1568x329x16 mm



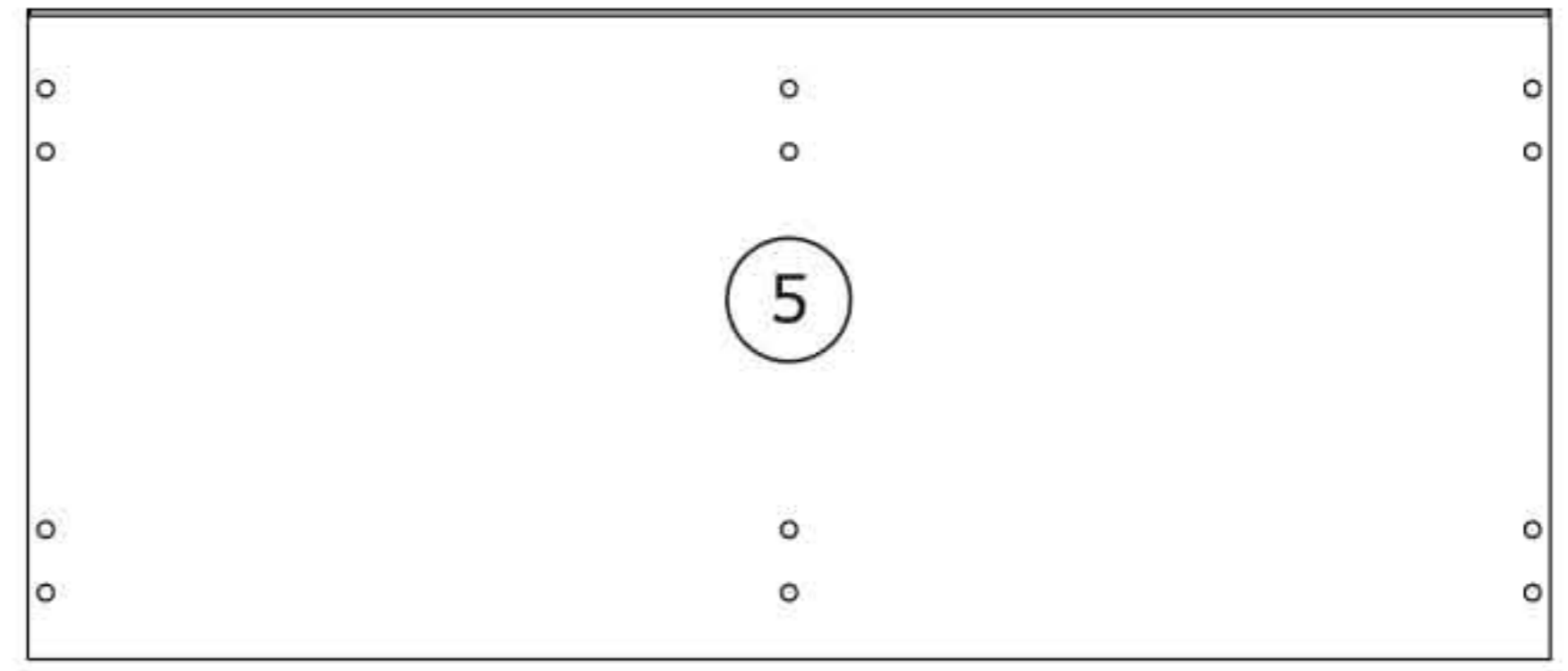
1568x329x16 mm



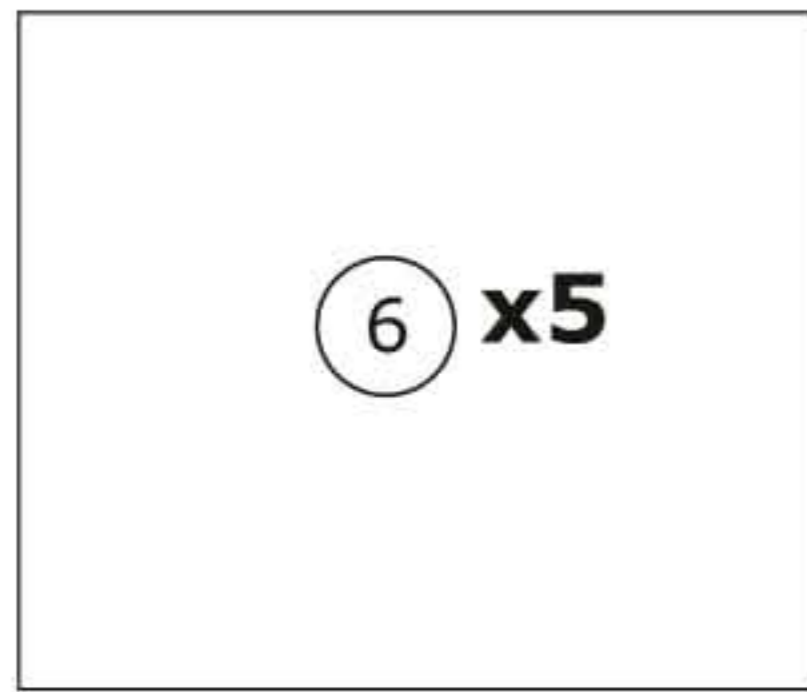
1568x326x16 mm



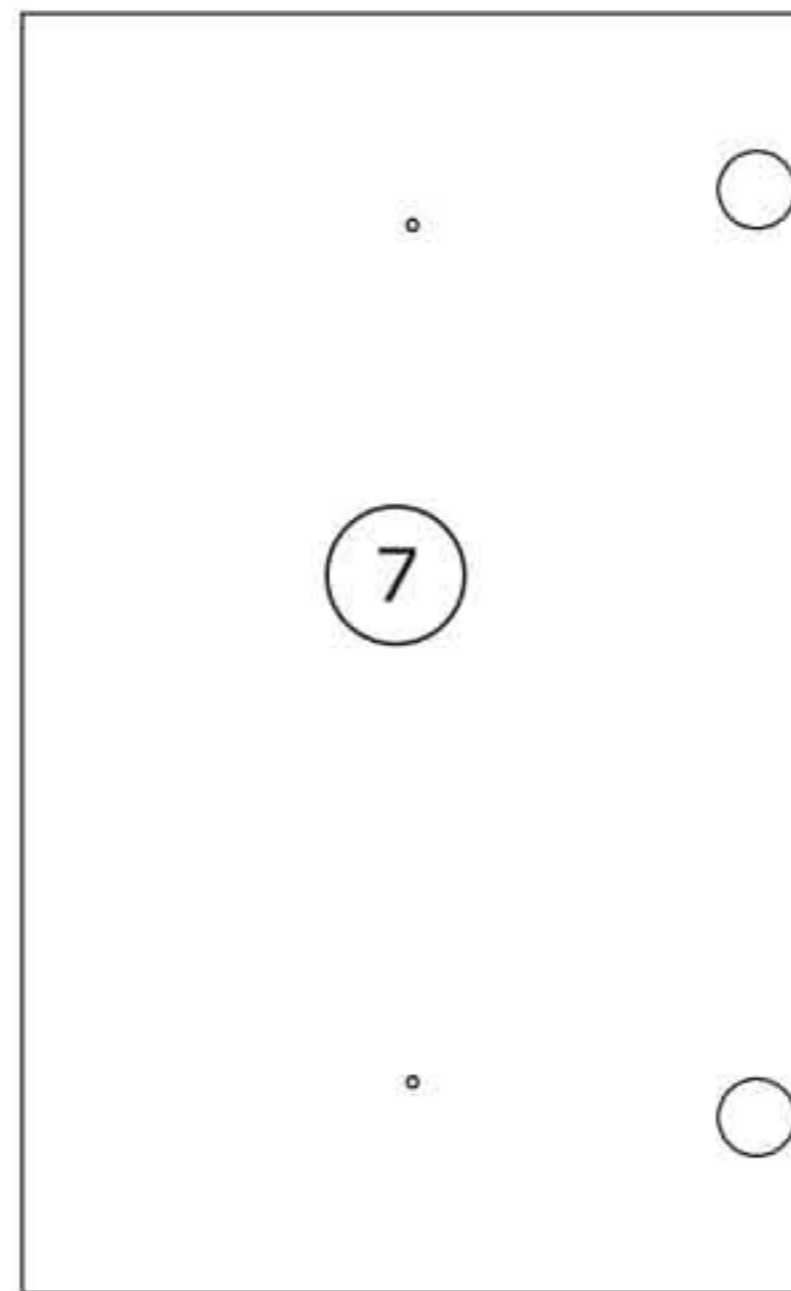
772x330x16 mm



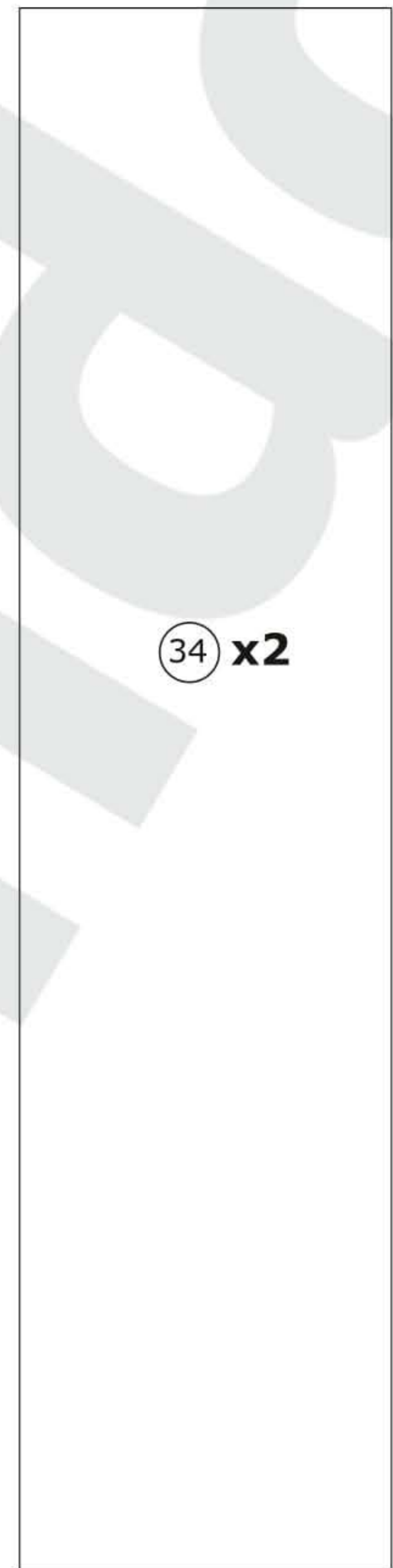
772x330x16 mm



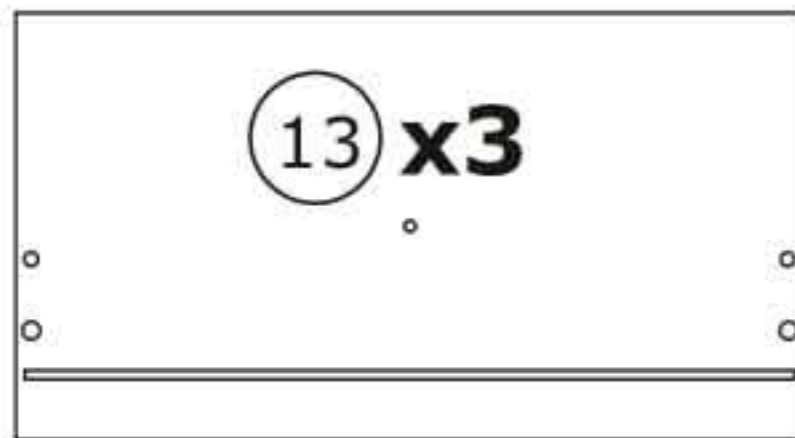
361x308x16 mm



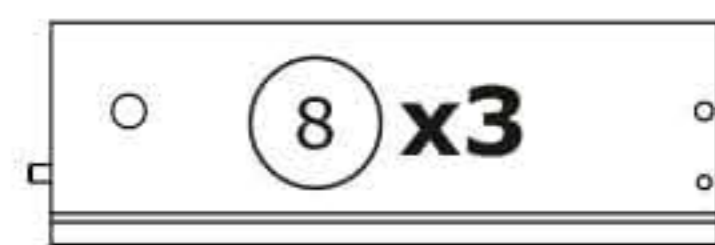
582x355x16 mm



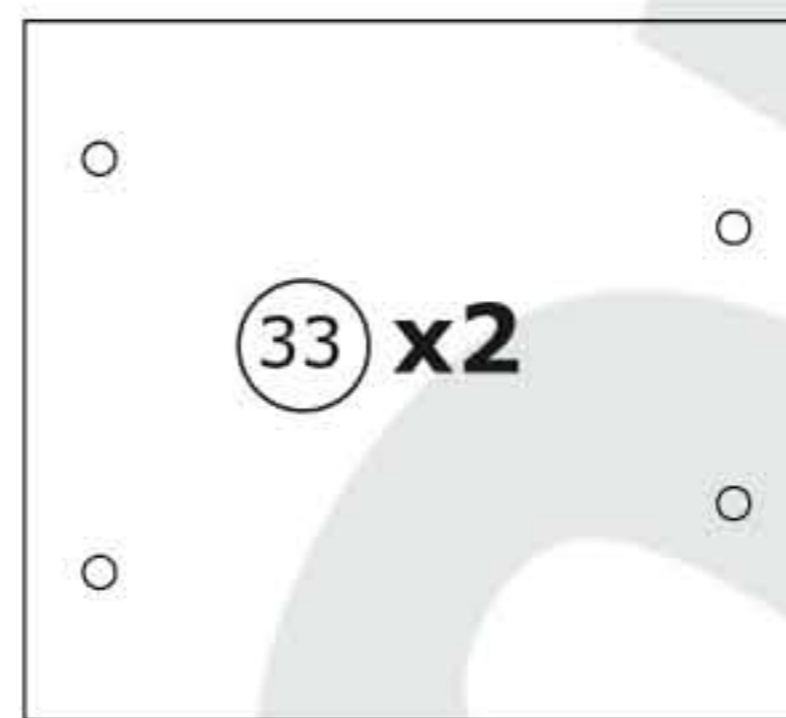
1586x377x2,5 mm



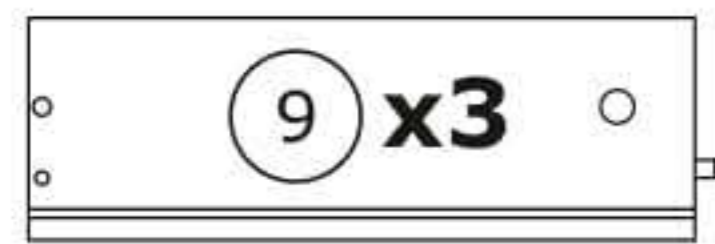
355x192x16 mm



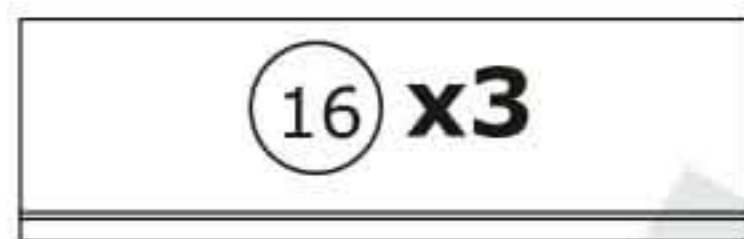
300x100x12 mm



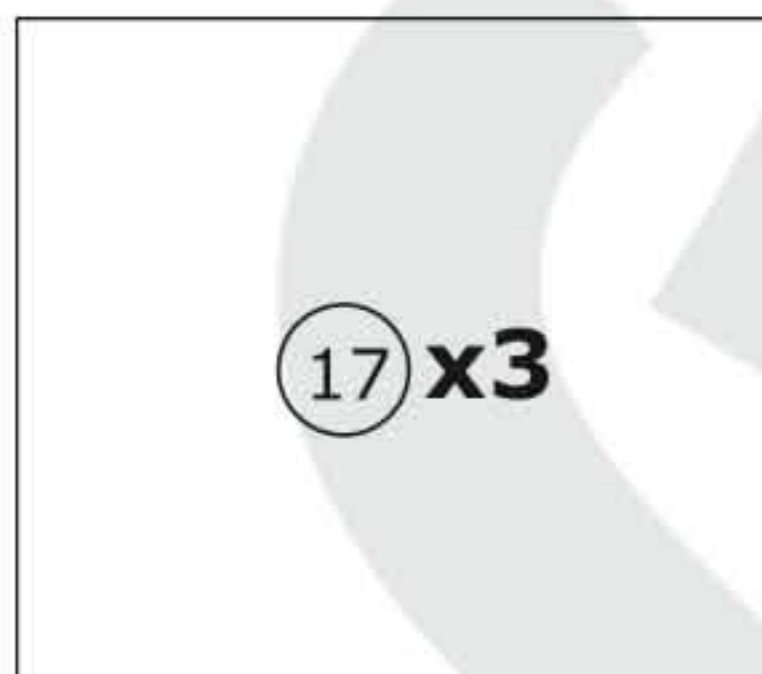
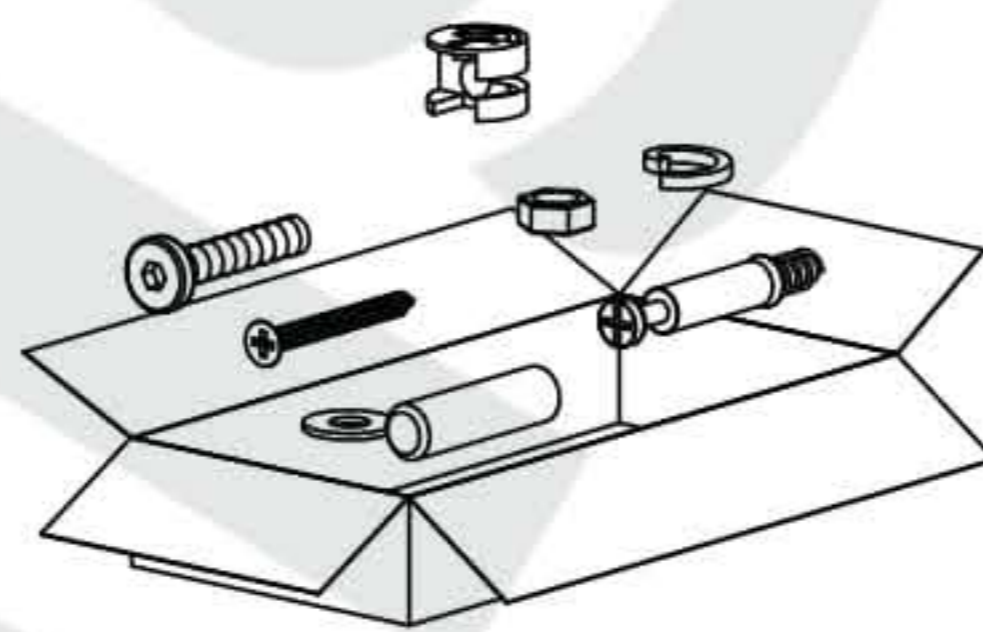
361x325x16 mm



300x100x12 mm



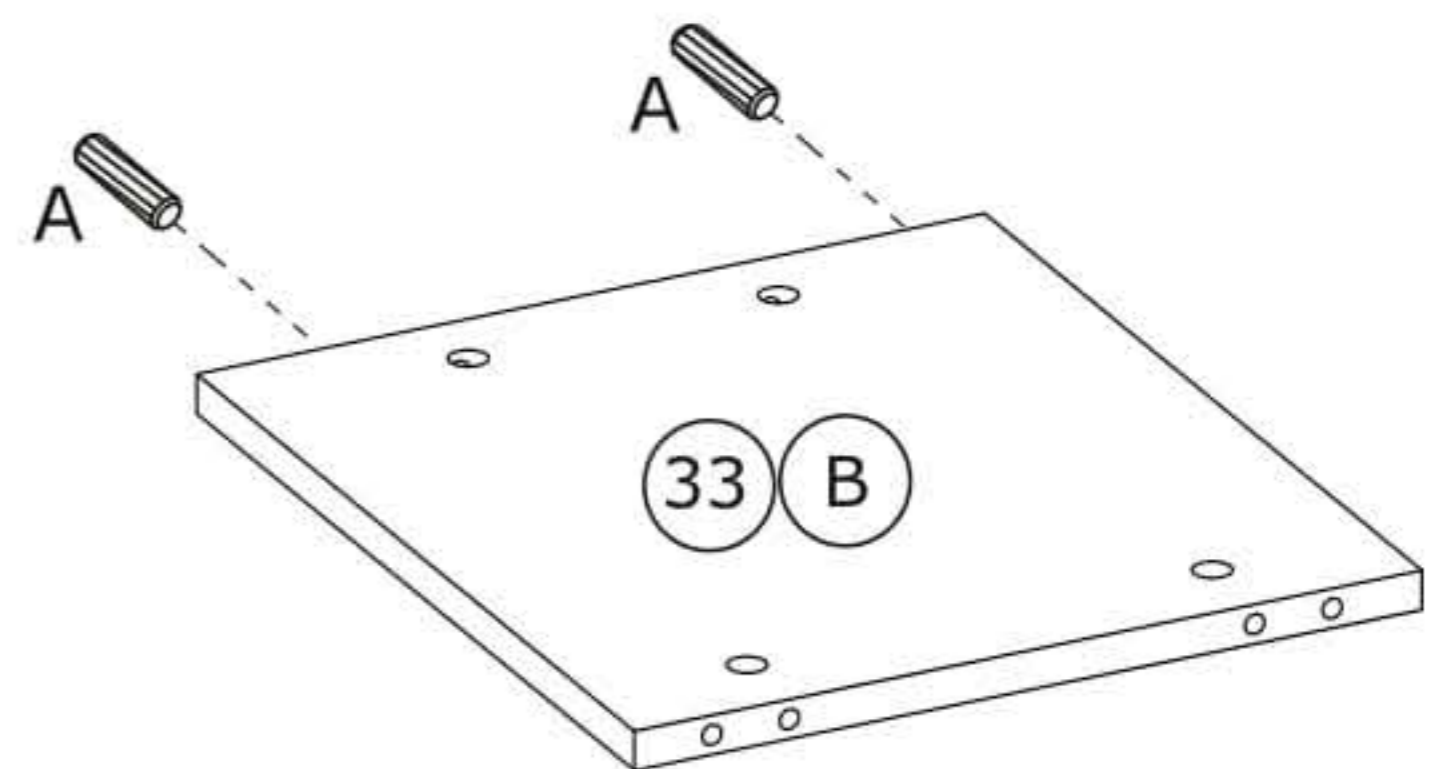
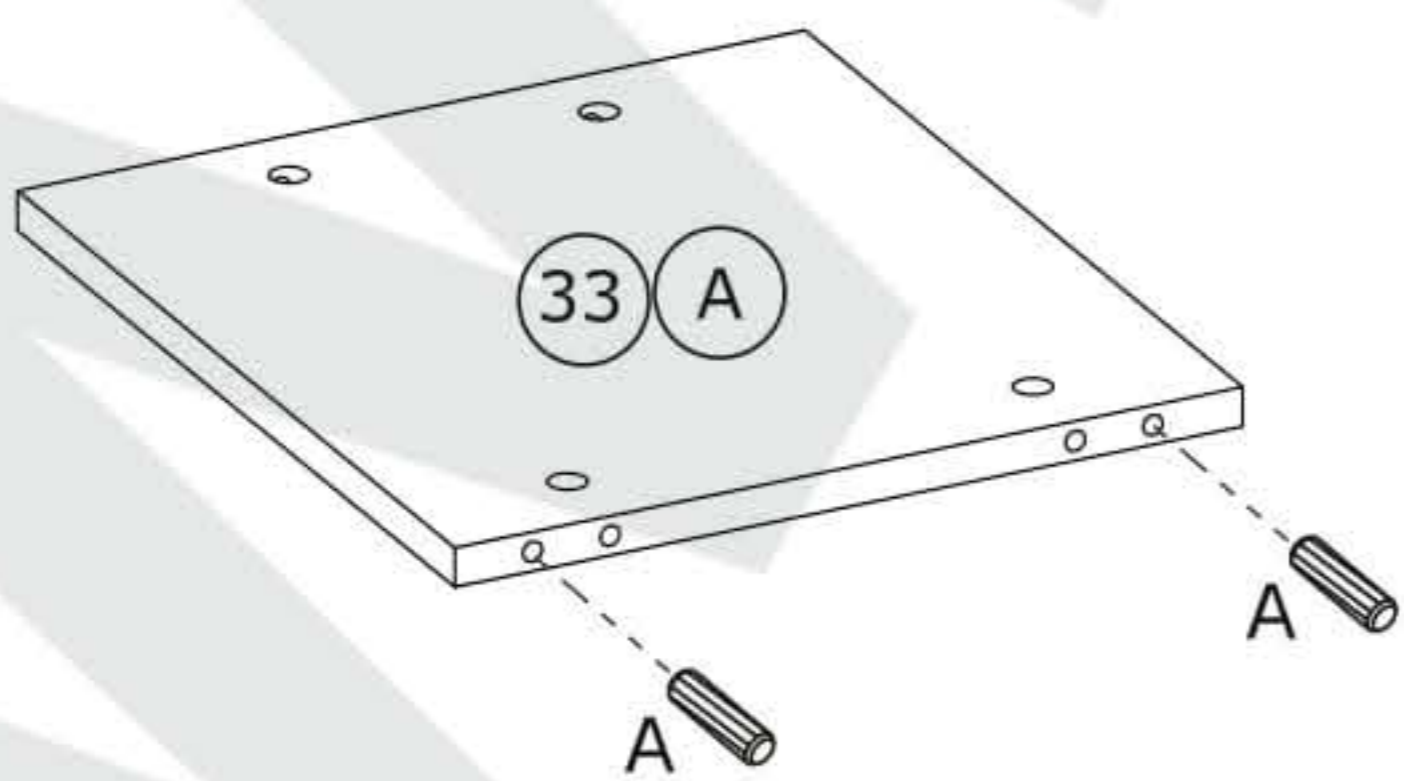
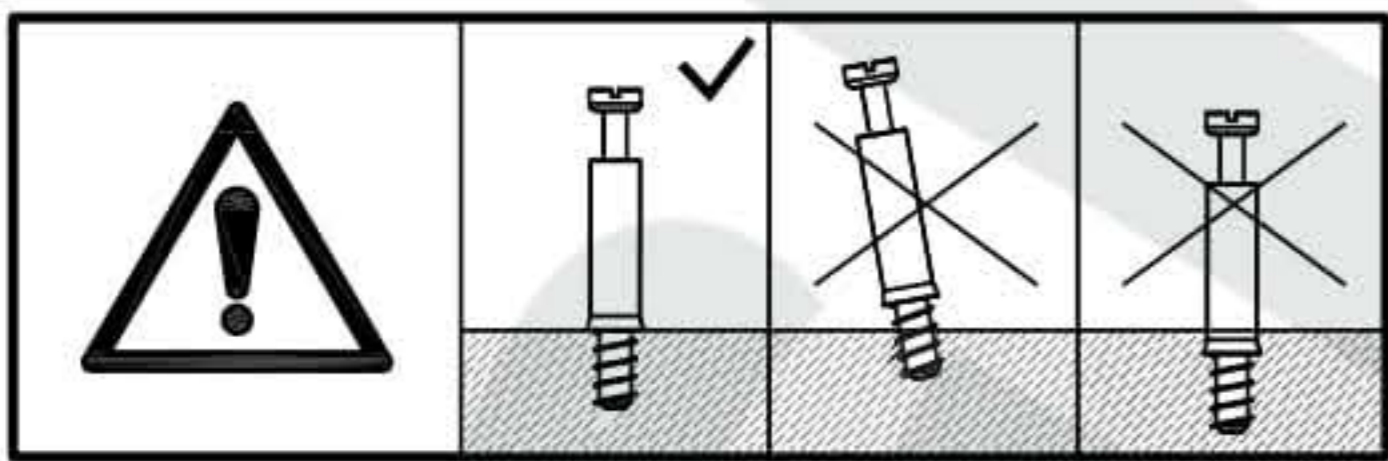
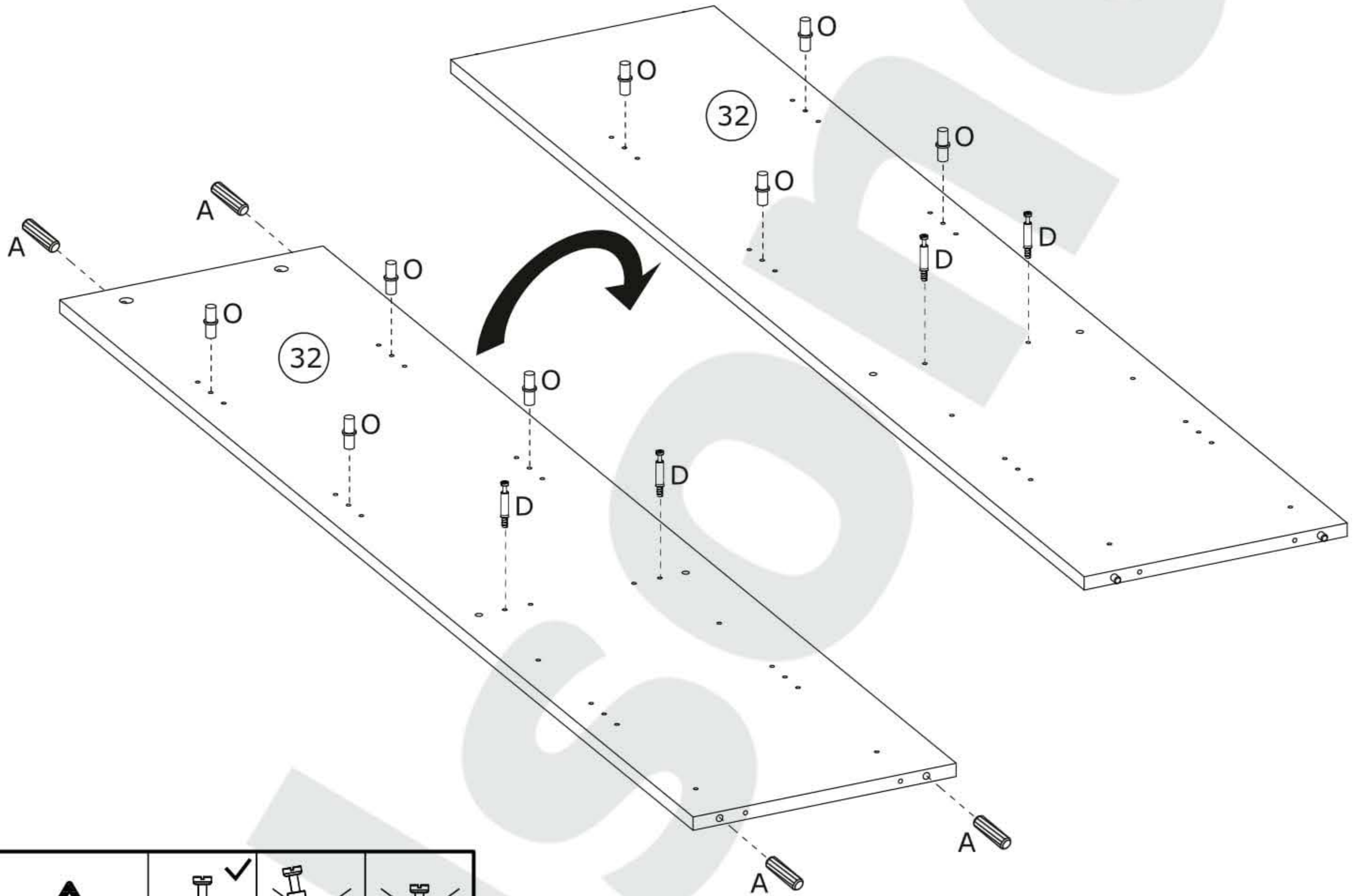
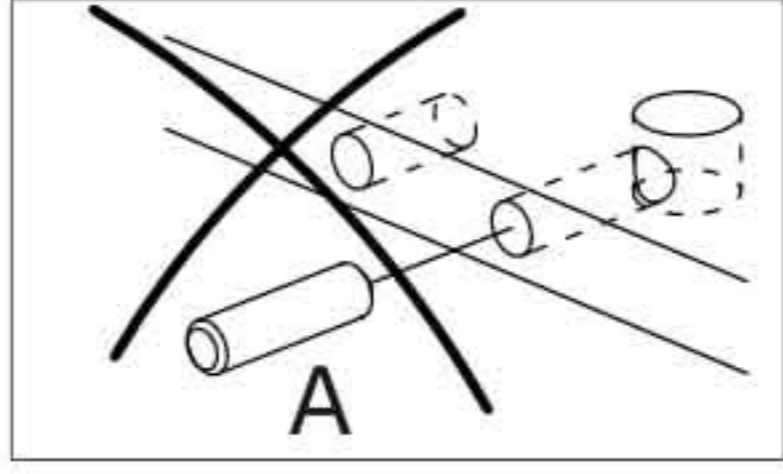
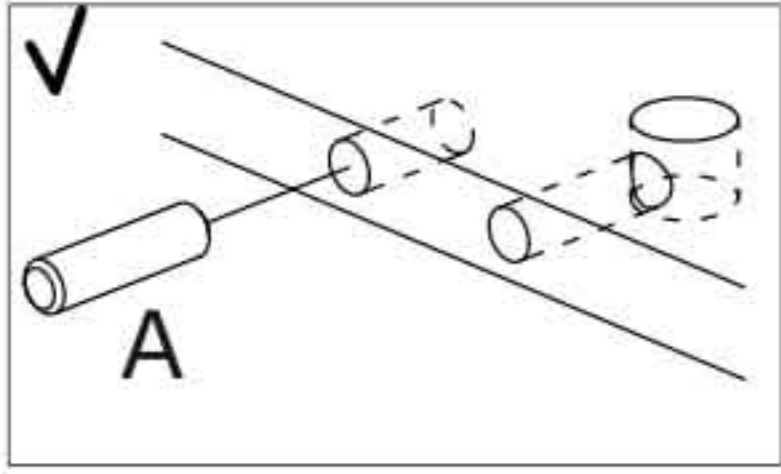
329x100x12 mm



339x301x2,5 mm

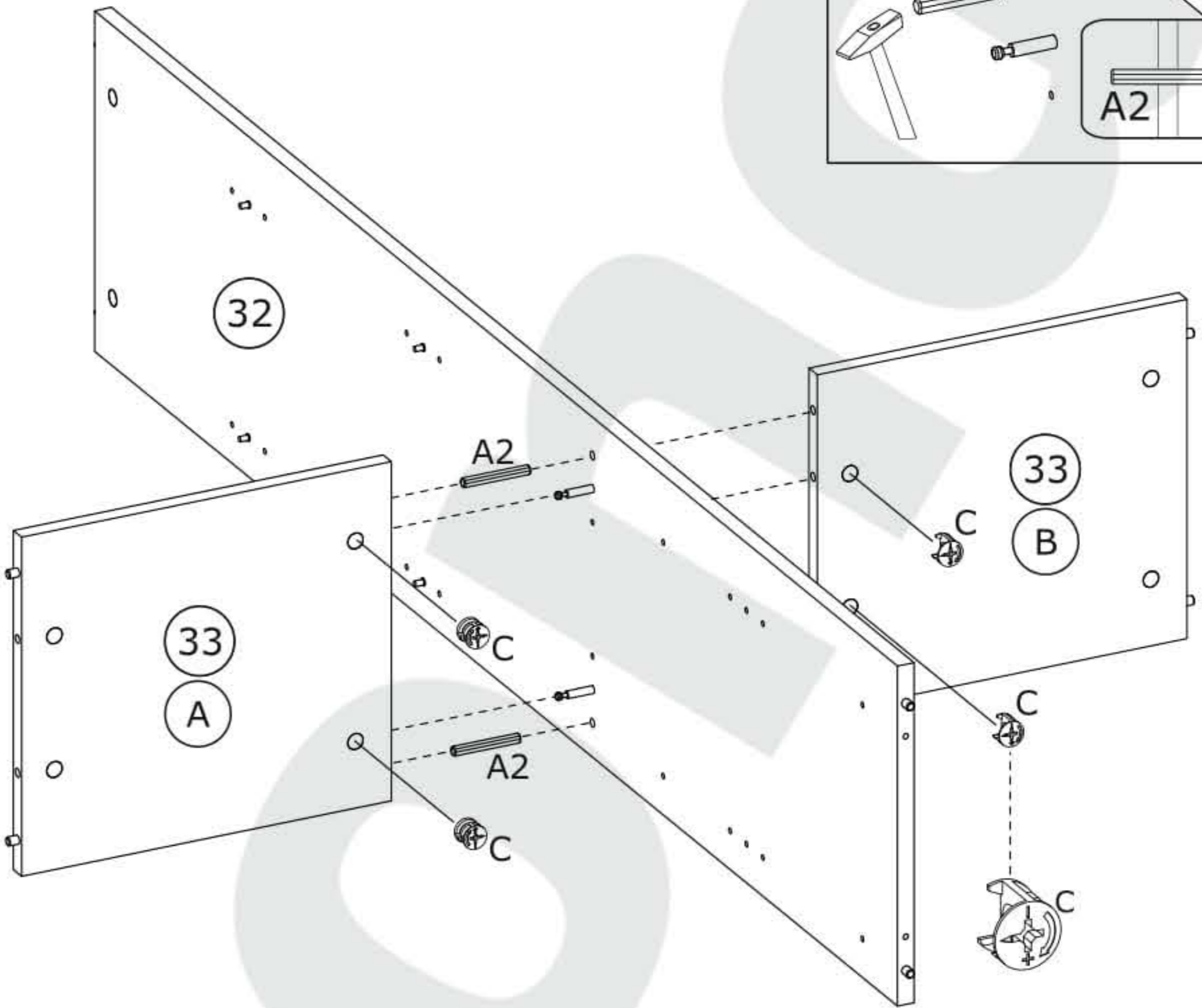
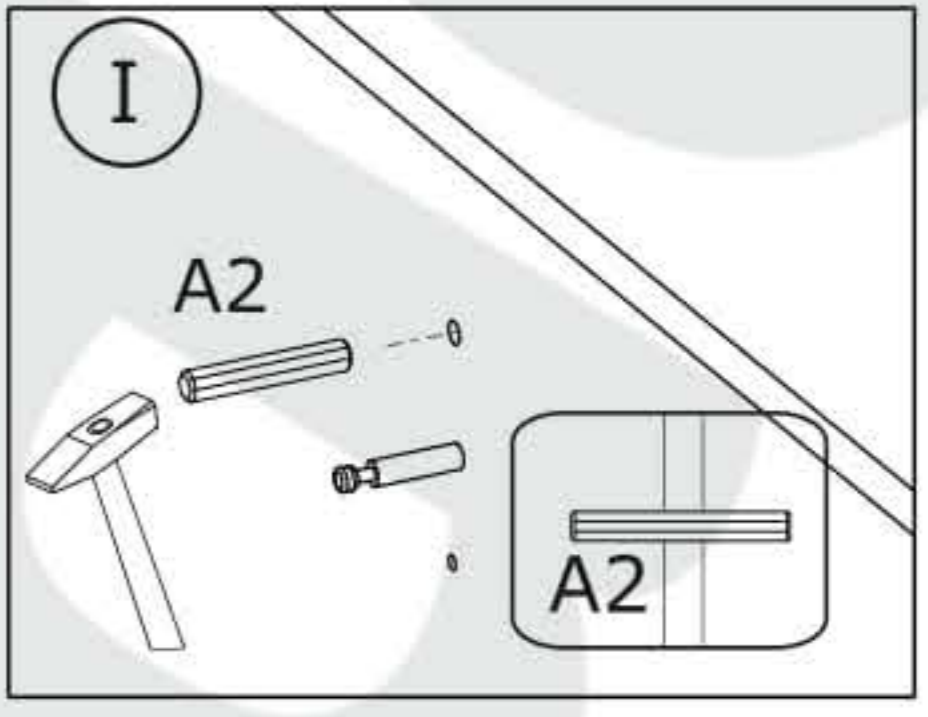
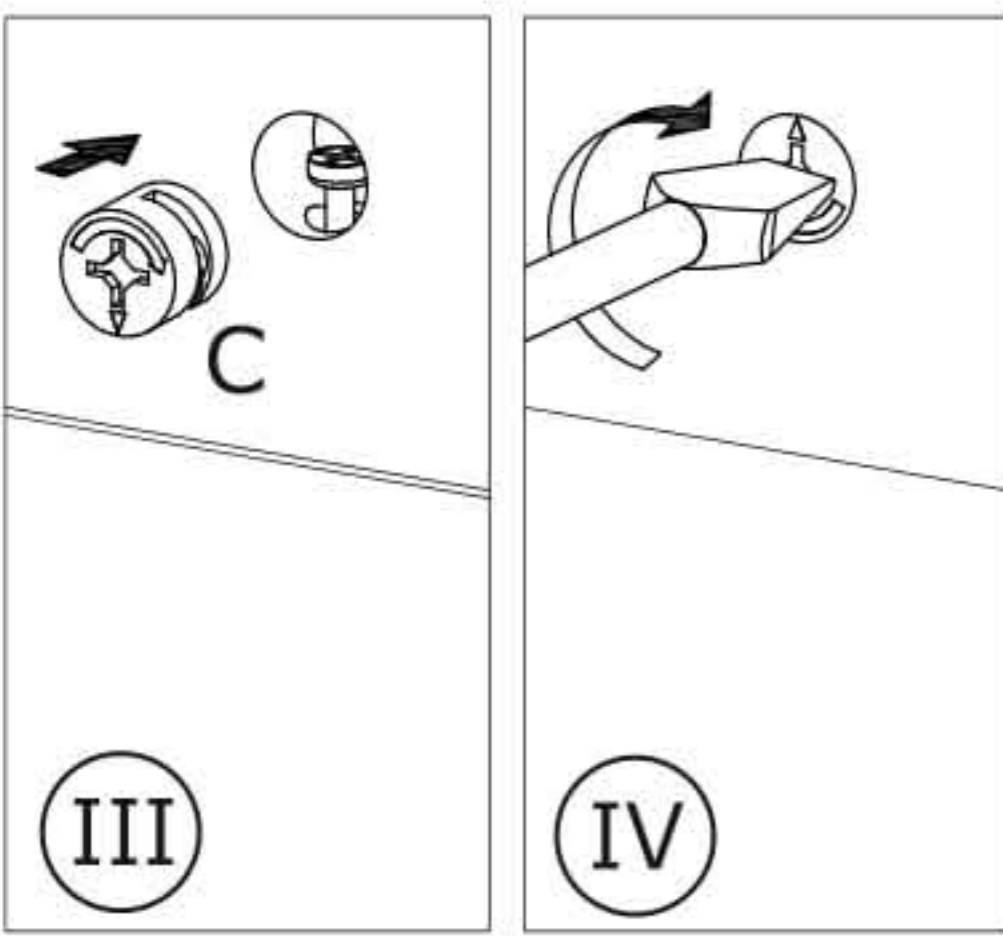
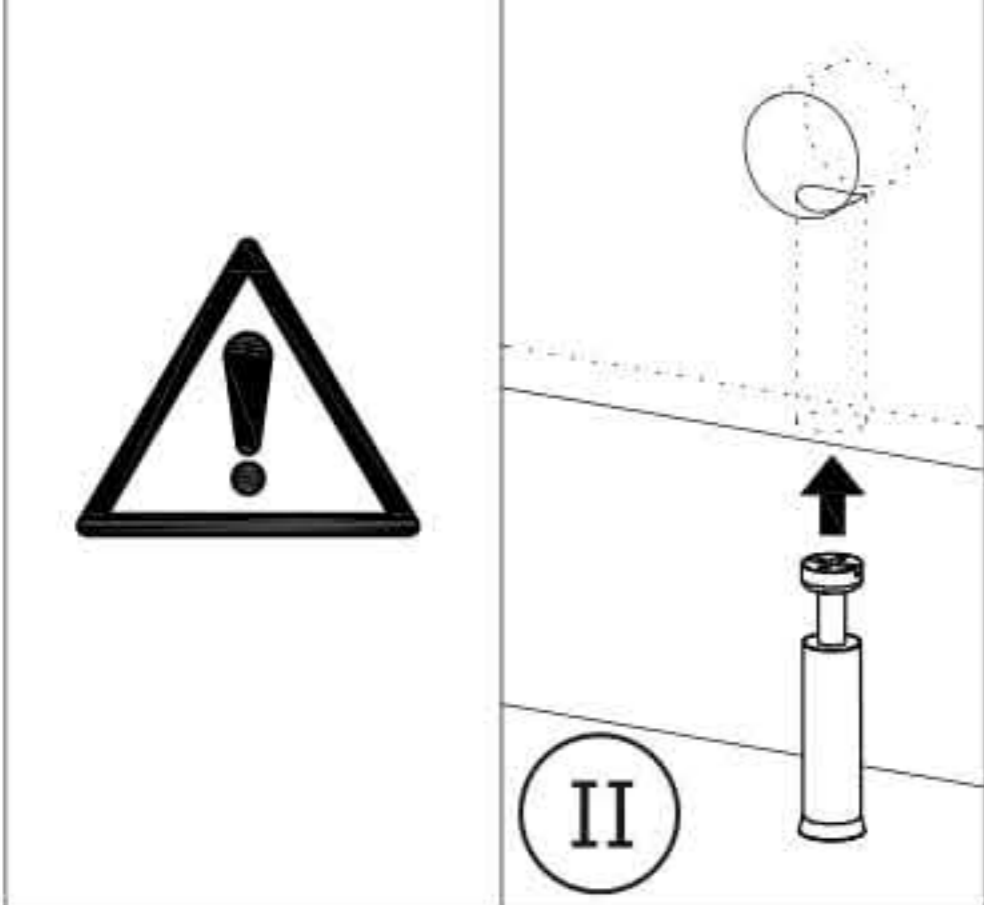
1

A x 8  Ø8x35 mm	O x 8  Ø5 mm	D x 4  Ø5x44 mm	
--	---	--	---



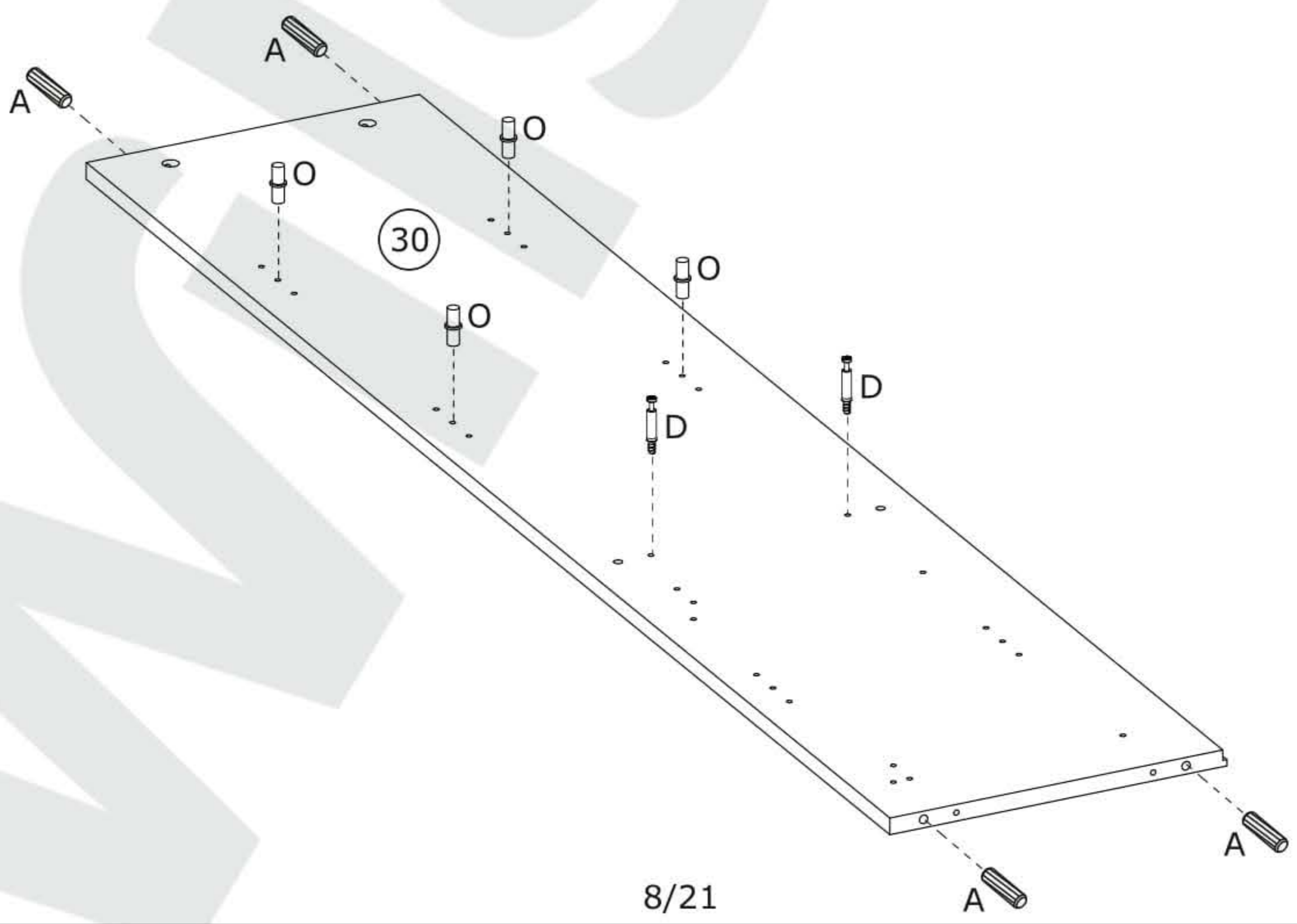
2

A2 x 2  Ø8x60 mm	C x 4  Ø15x12 mm	
---	---	---



3


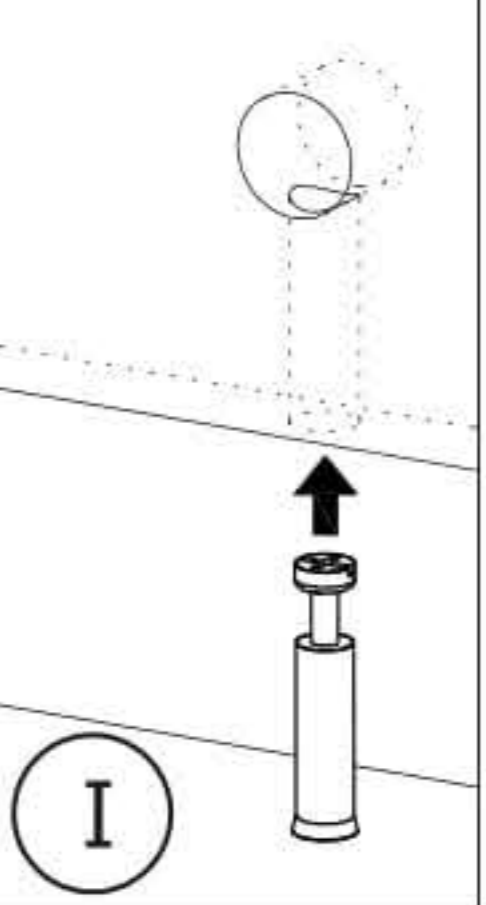
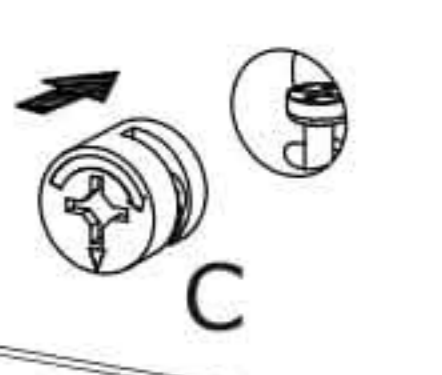
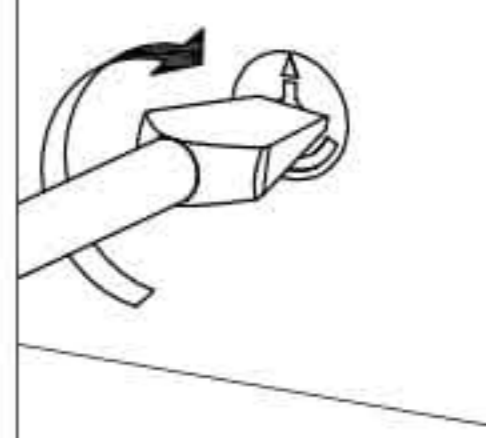
A x 4  Ø8x35 mm	O x 4  Ø5 mm	D x 2  Ø5x44 mm	
--	---	--	---

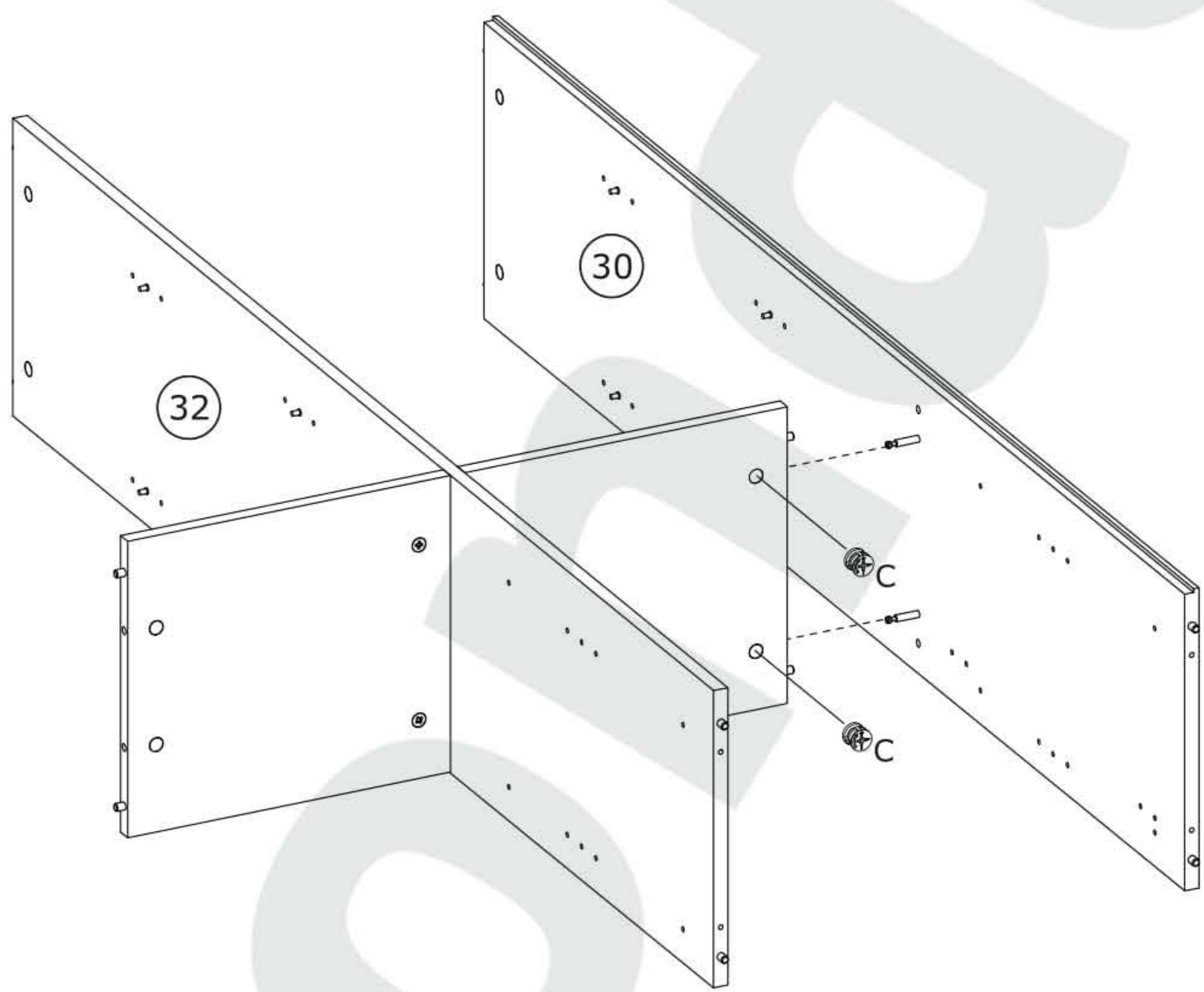




4

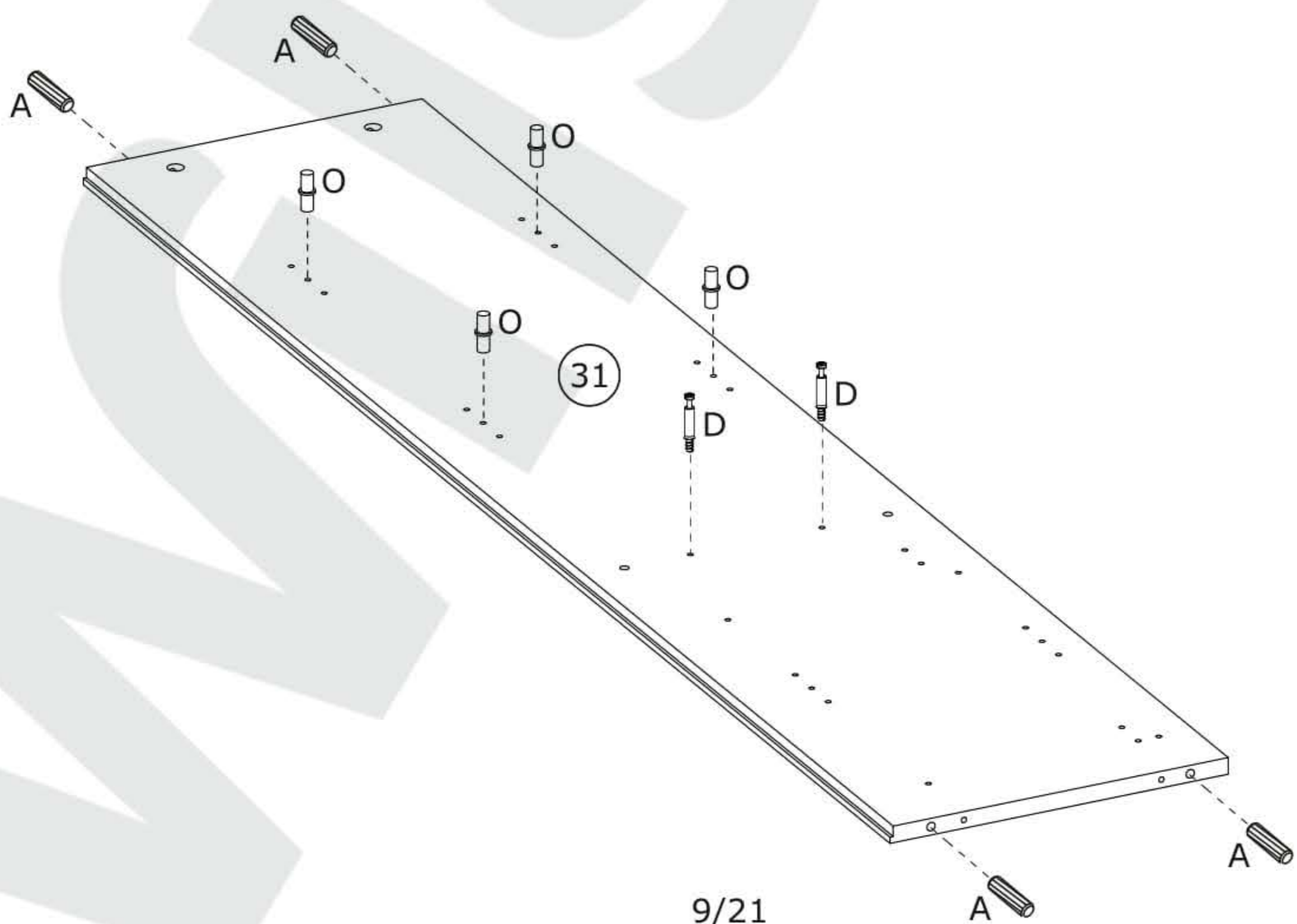
C x 2		
Ø15x12 mm		

	
	
II	III



5

A x 4	O x 4	D x 2		
Ø8x35 mm	Ø5 mm	Ø5x44 mm		

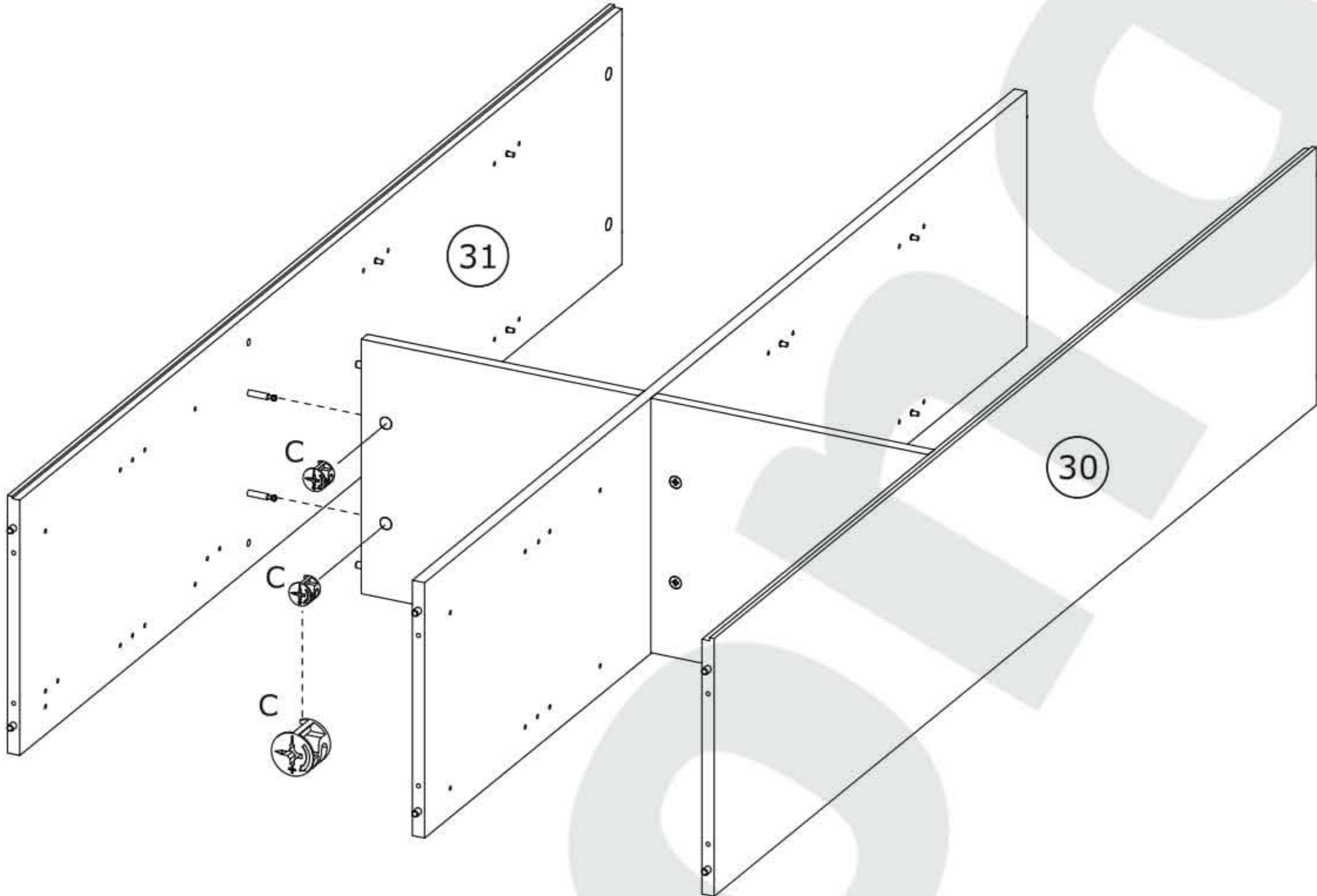


6

C x 2



Ø15x12 mm

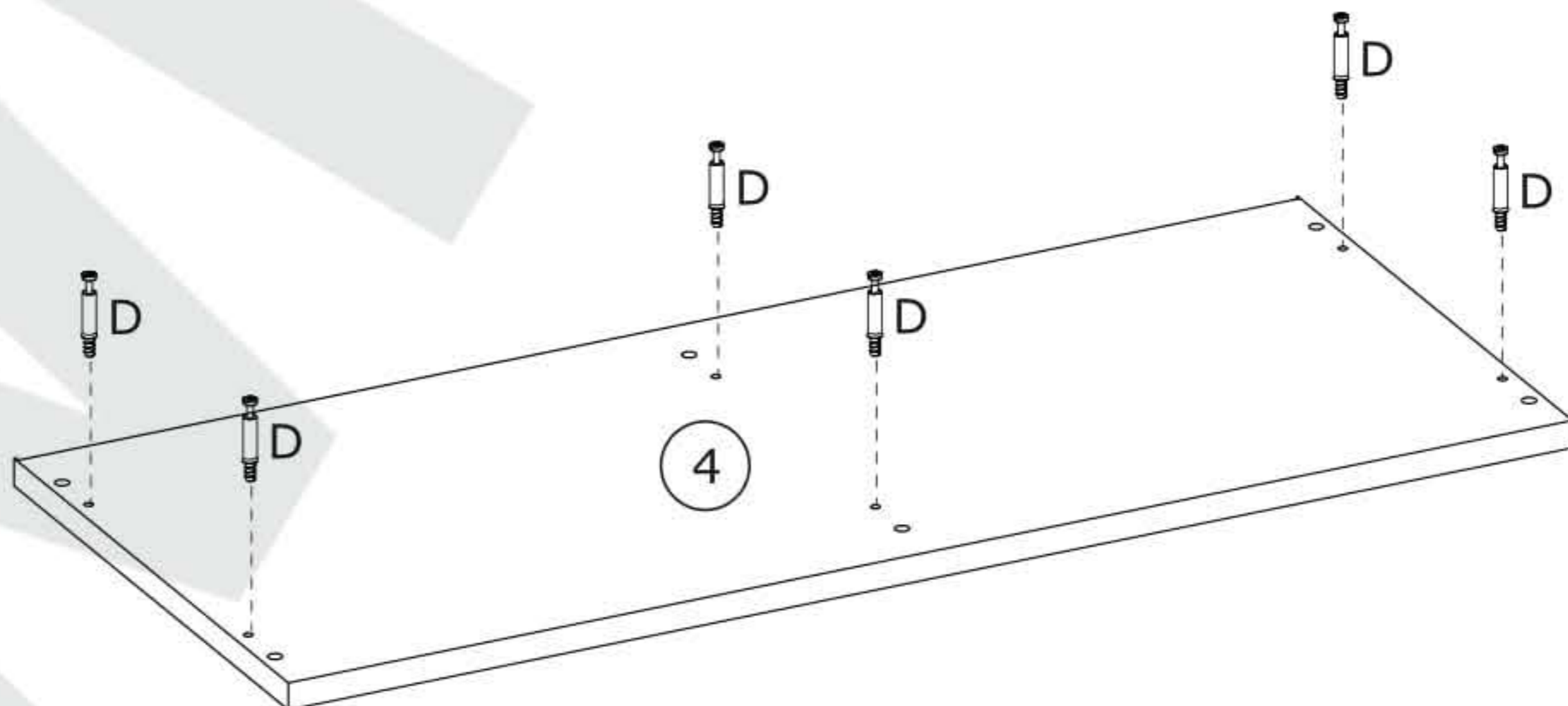
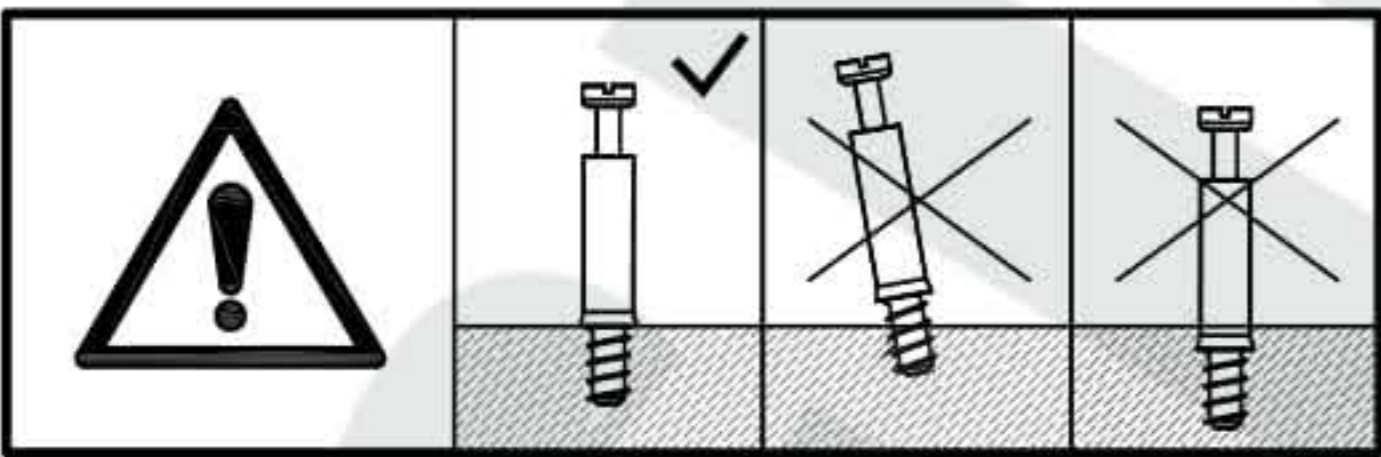


7

D x 6

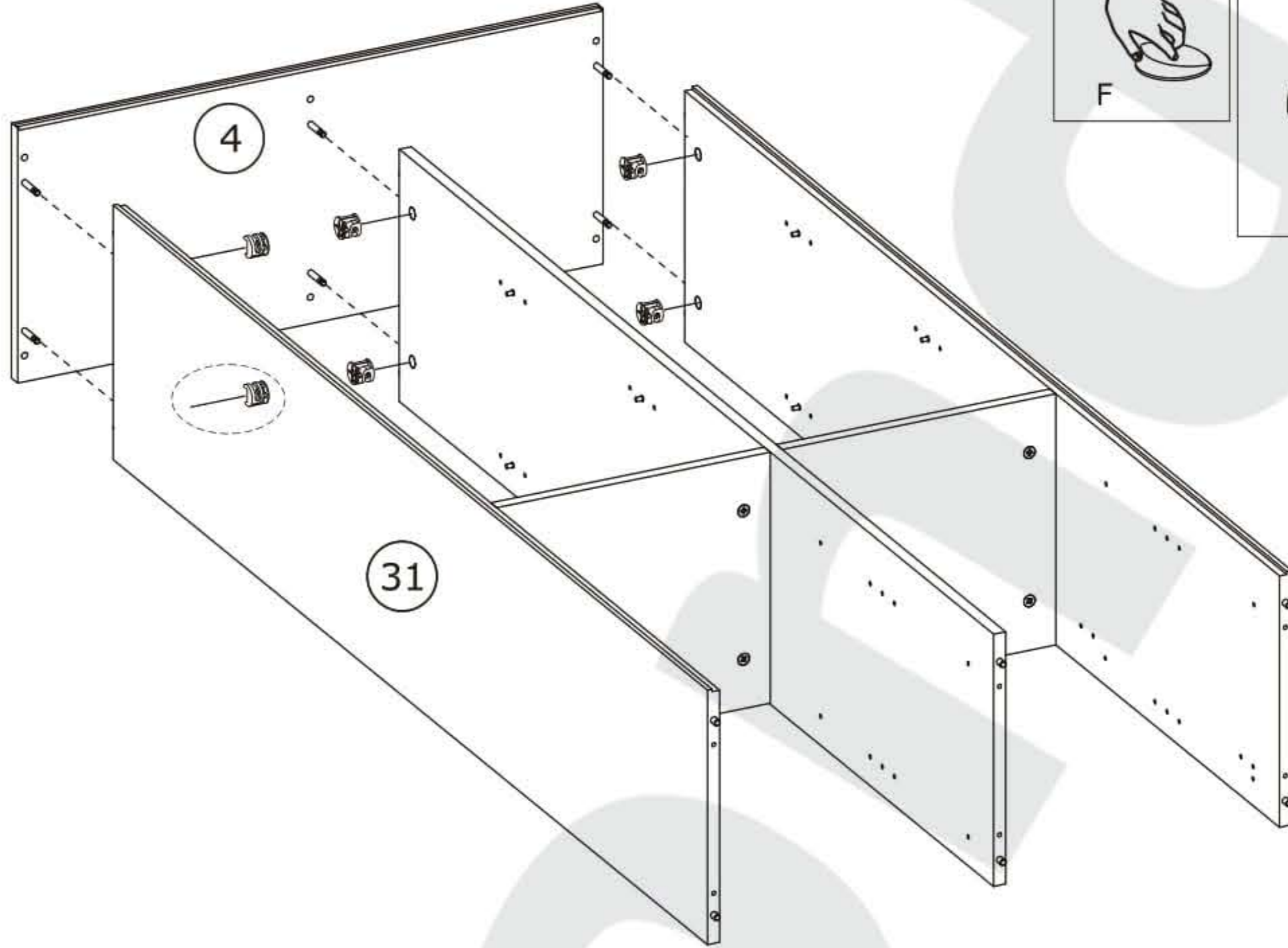


Ø5x44 mm



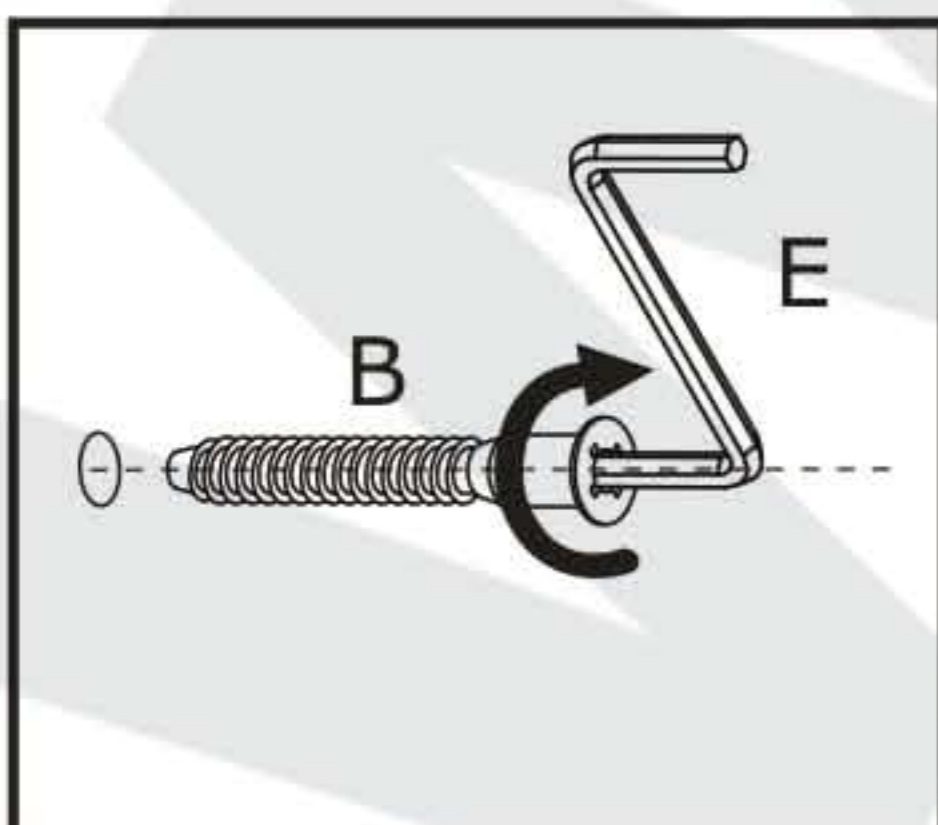
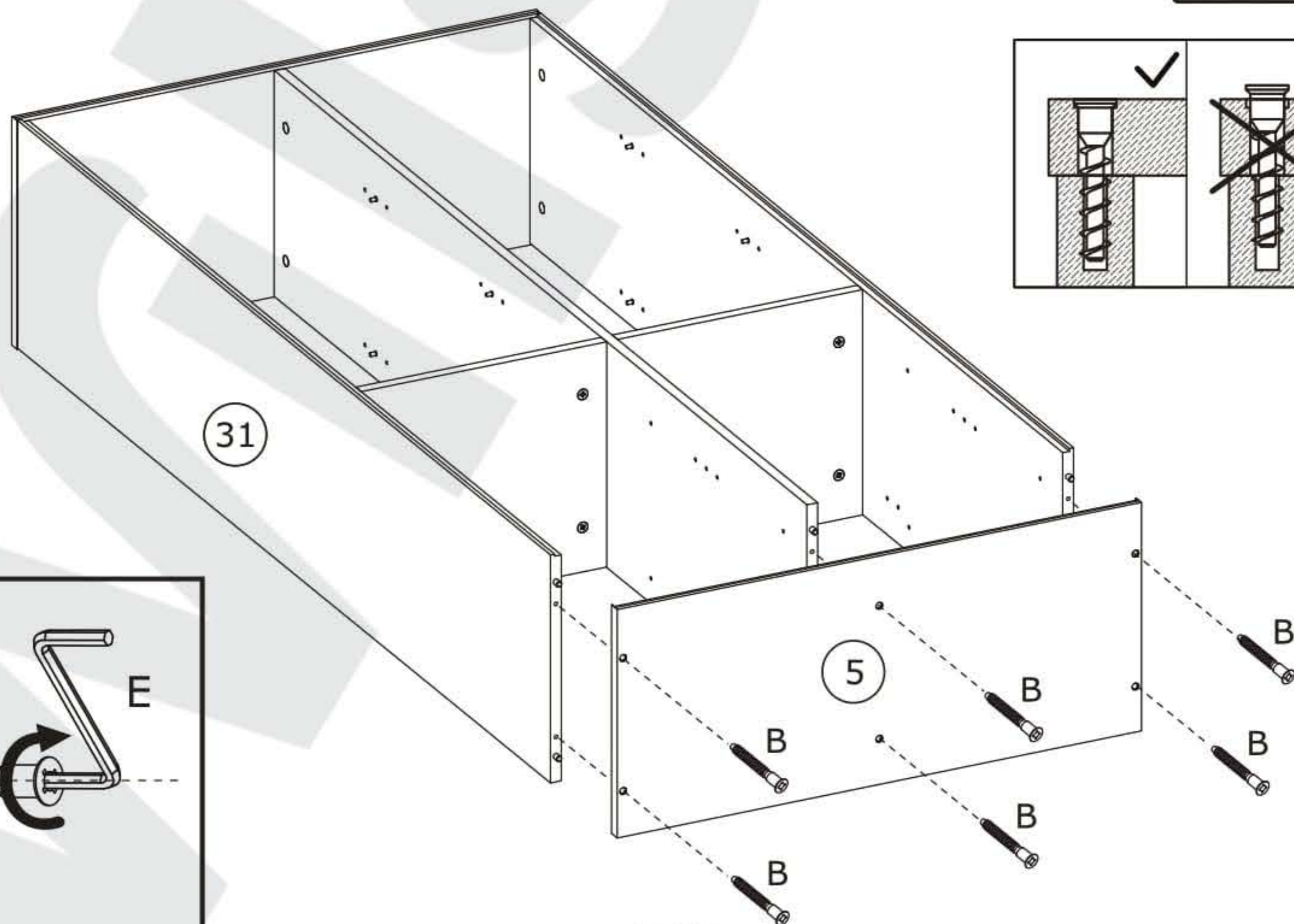
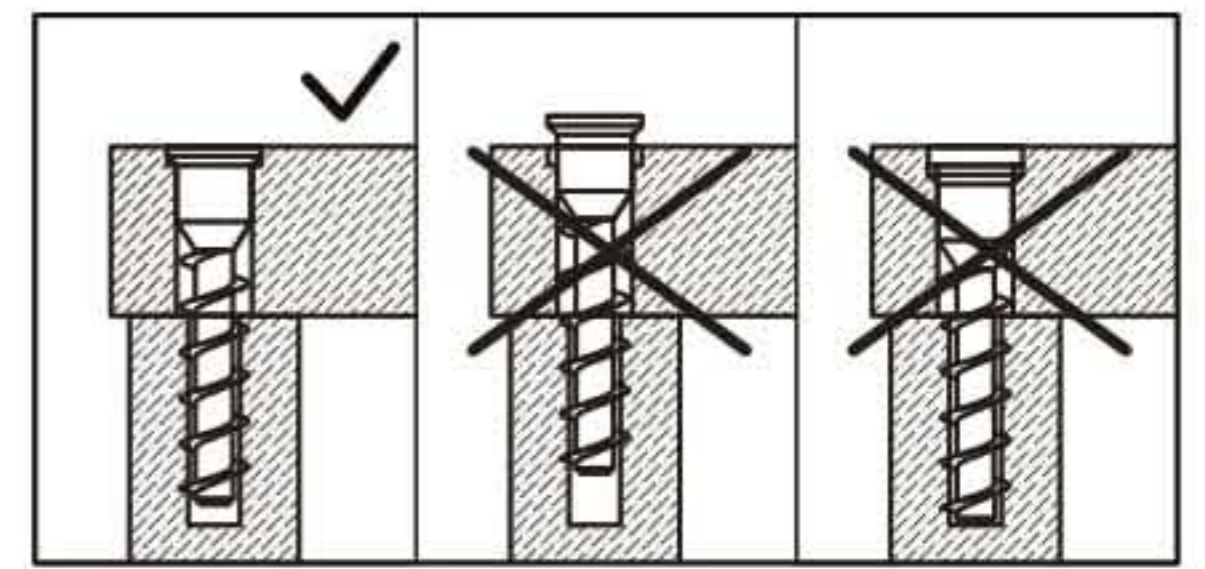
8

C x 6  Ø15x12 mm	F x 6  20 mm	
---	---	---

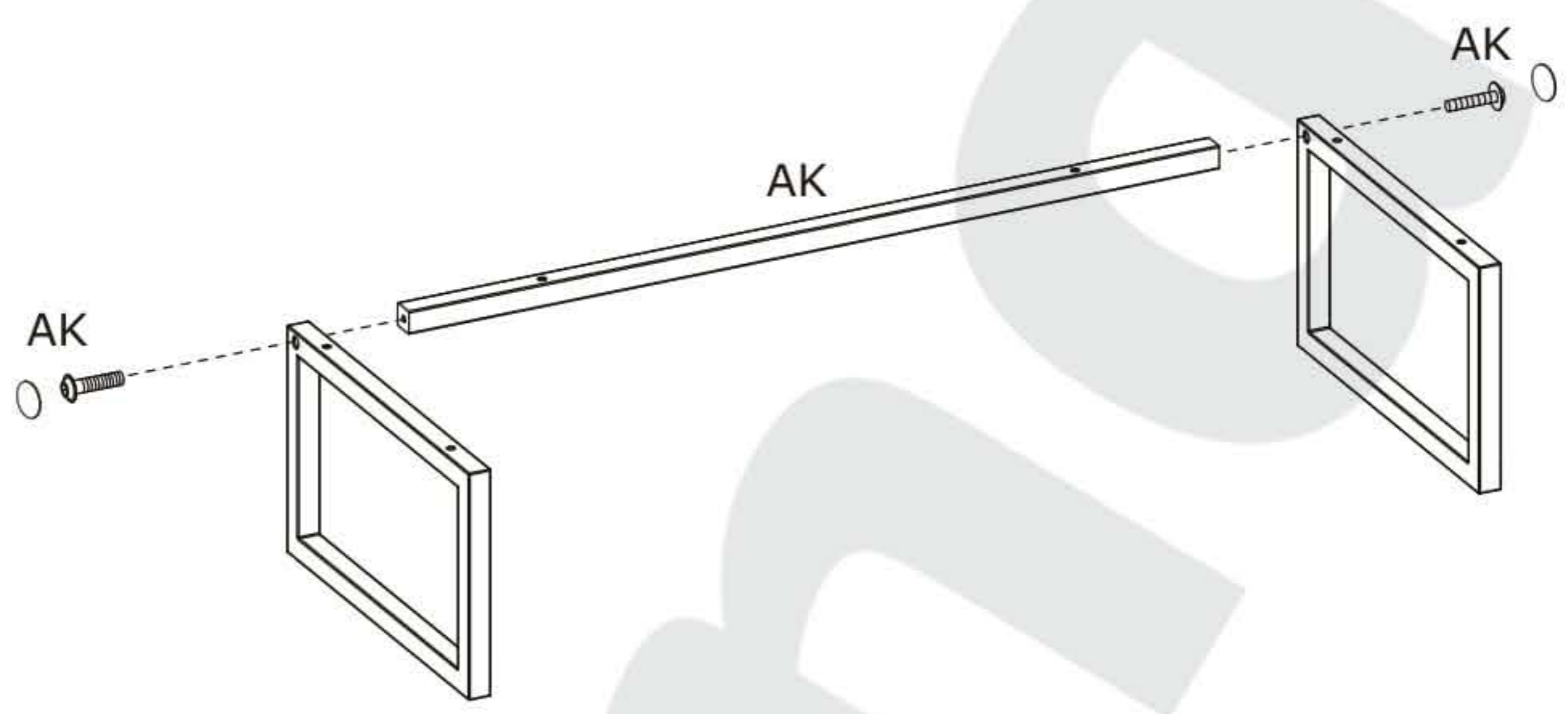
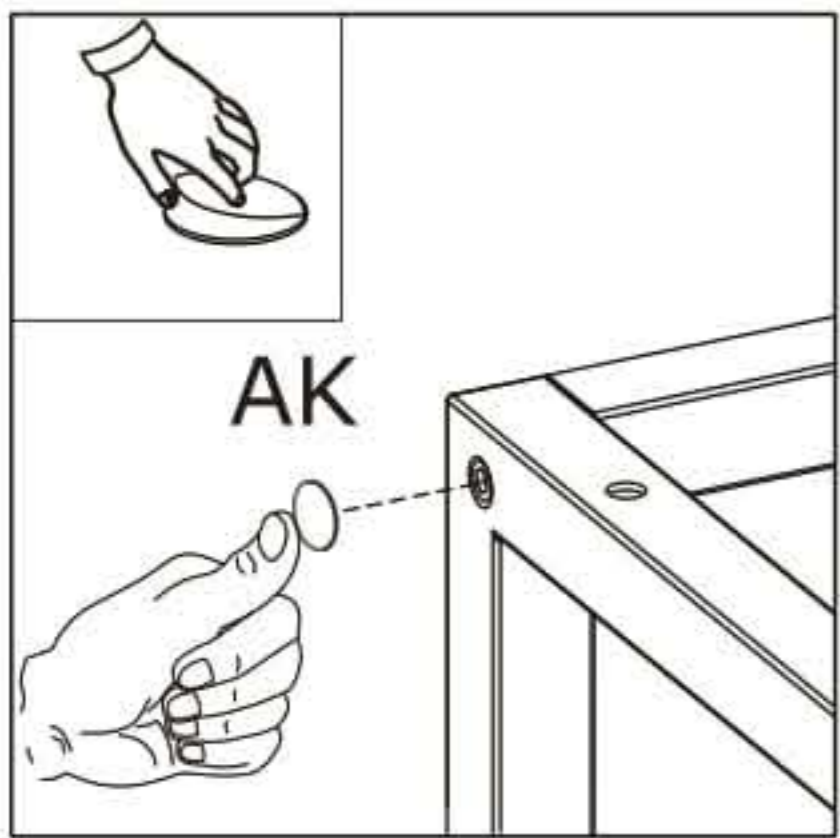
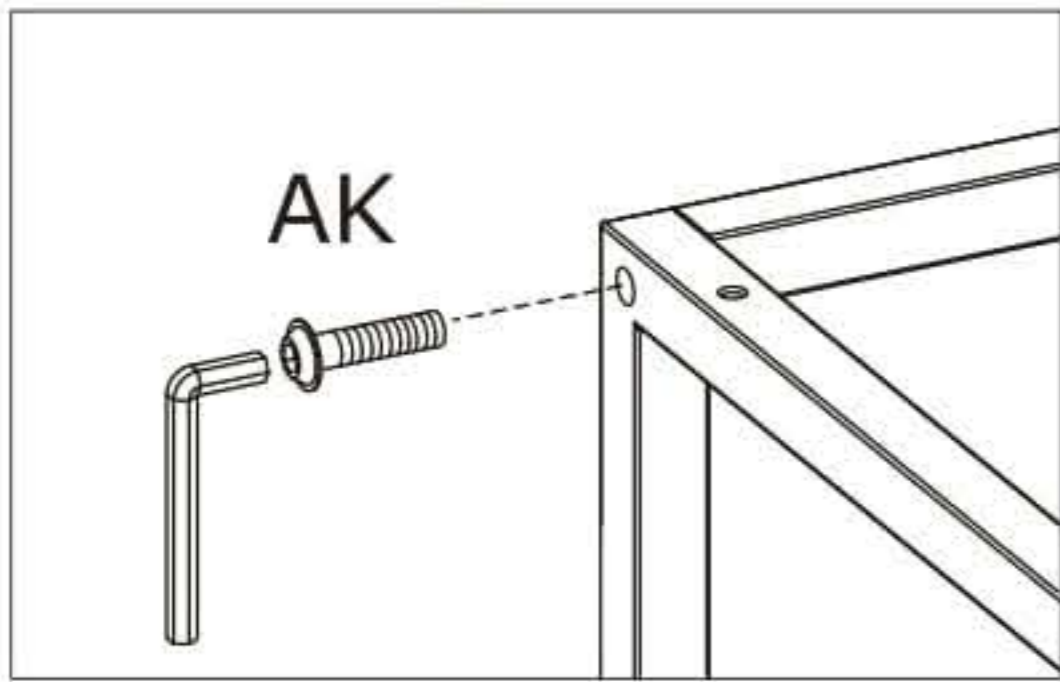


9

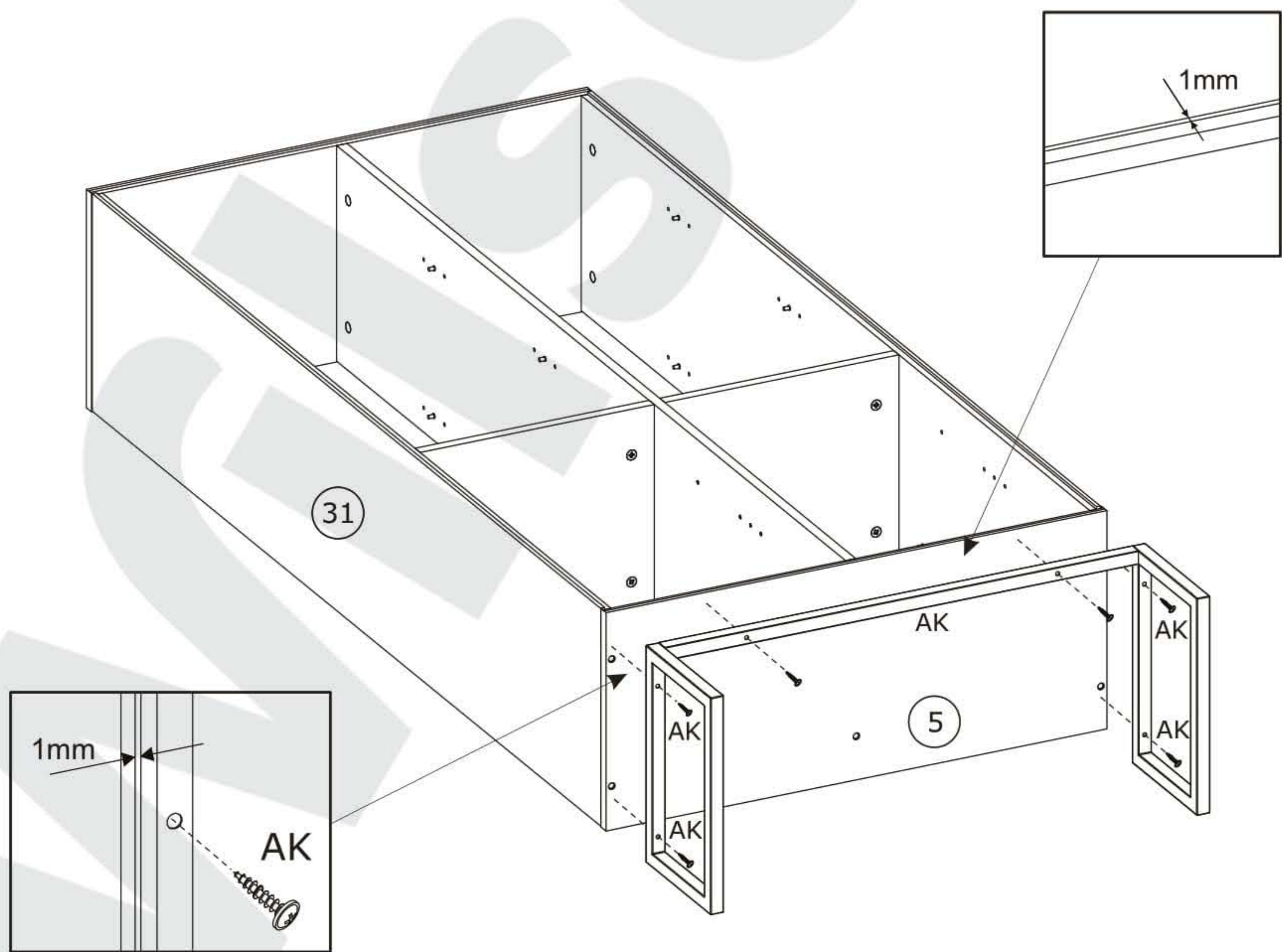
B x 6  Ø7x50 mm	E x 1  ● 4 mm	
--	--	--




10

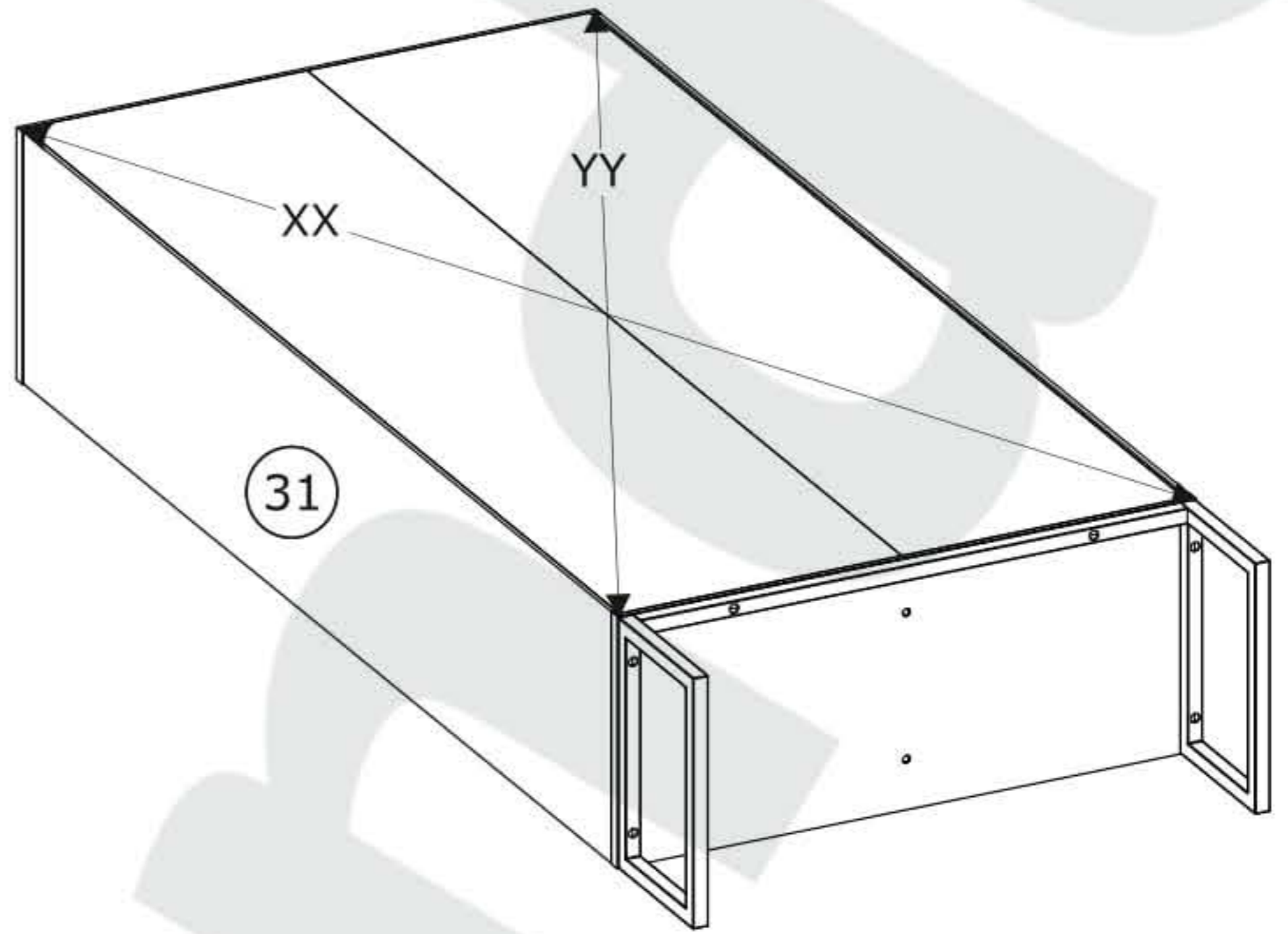
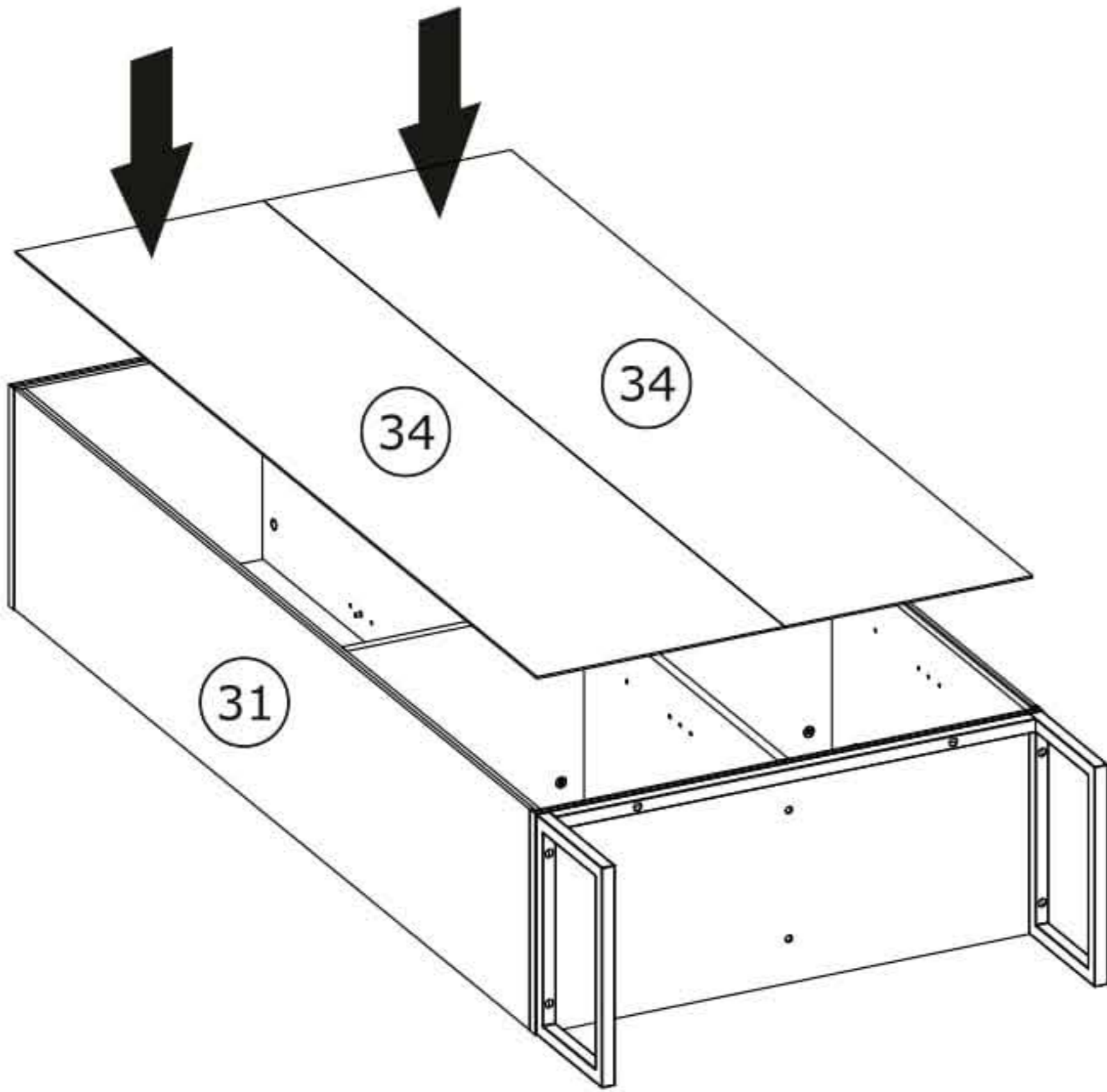


11

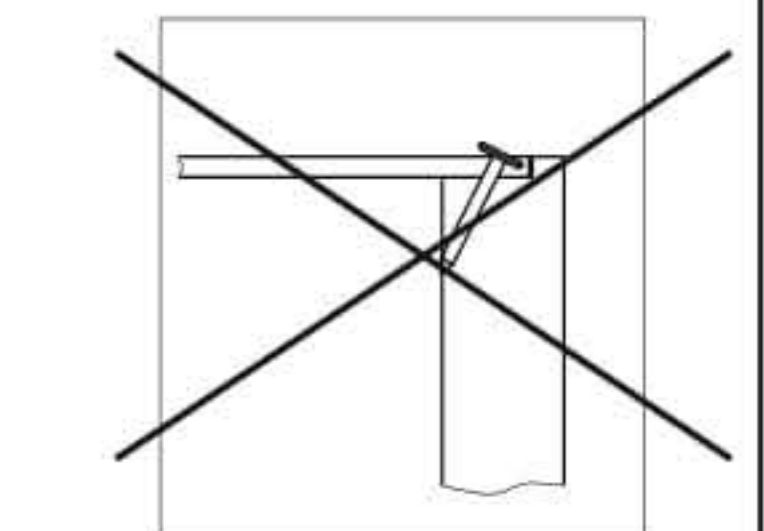
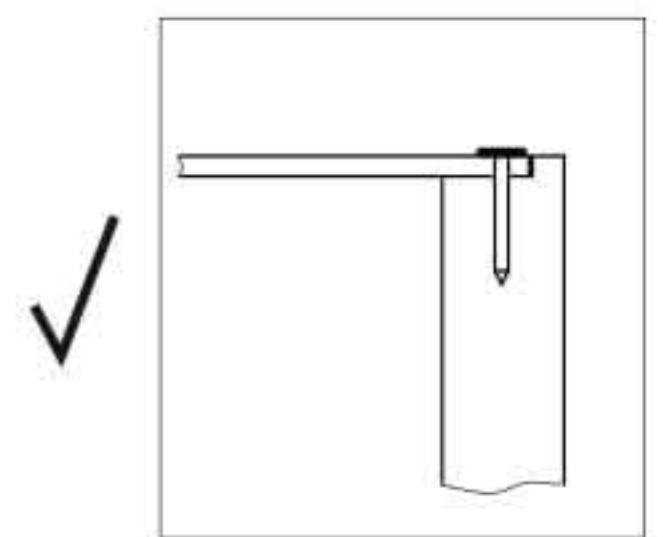
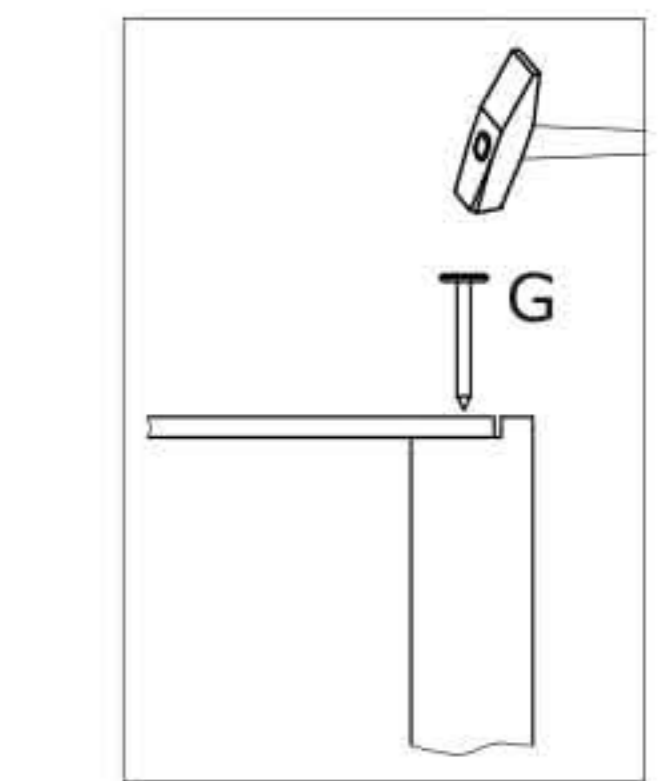
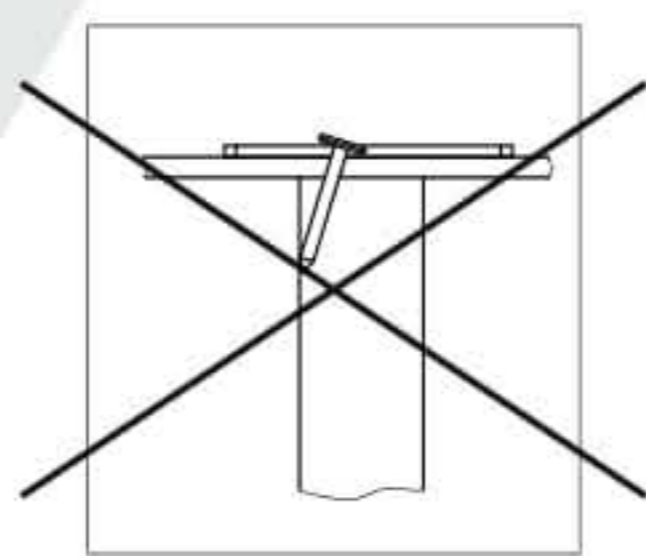
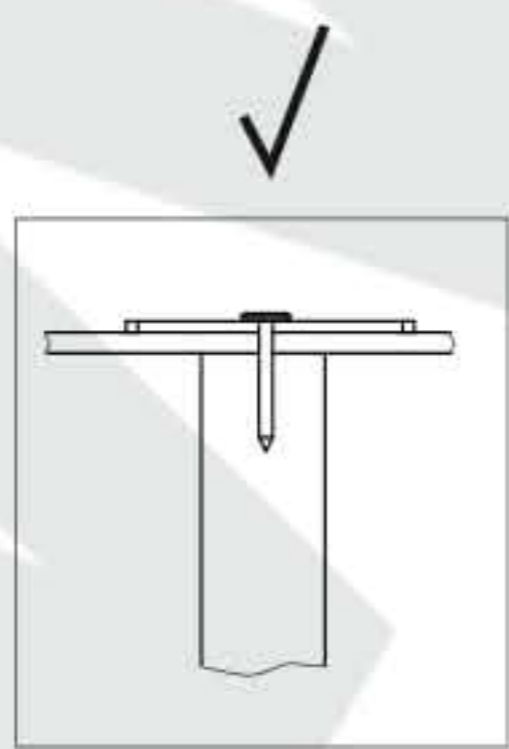
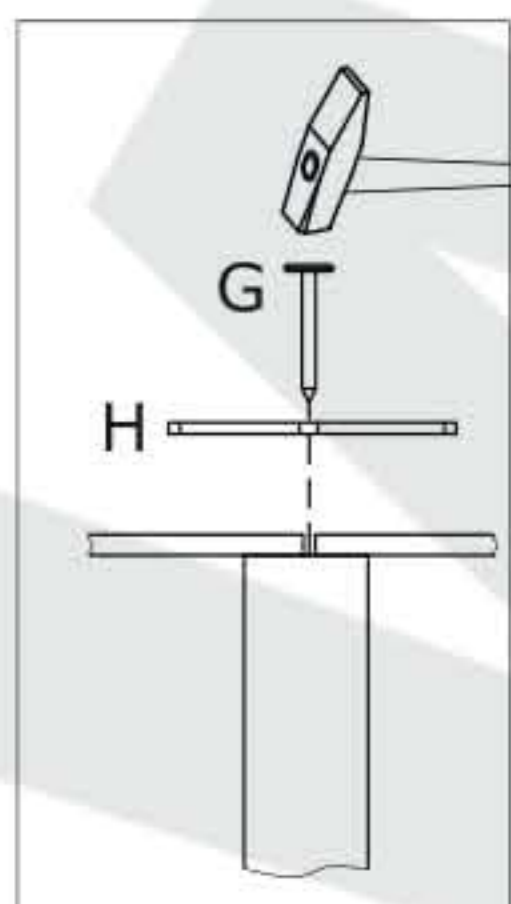
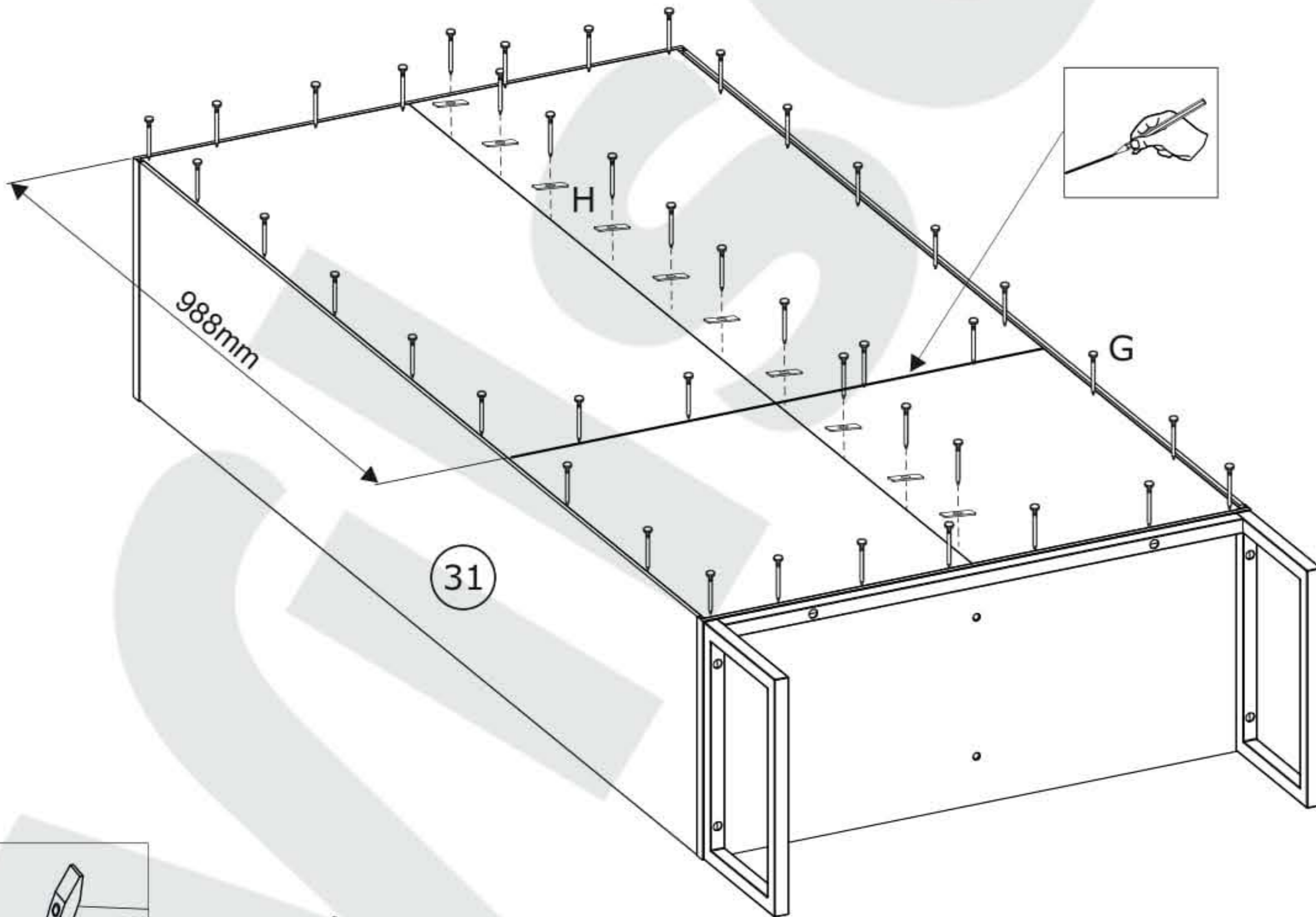


12

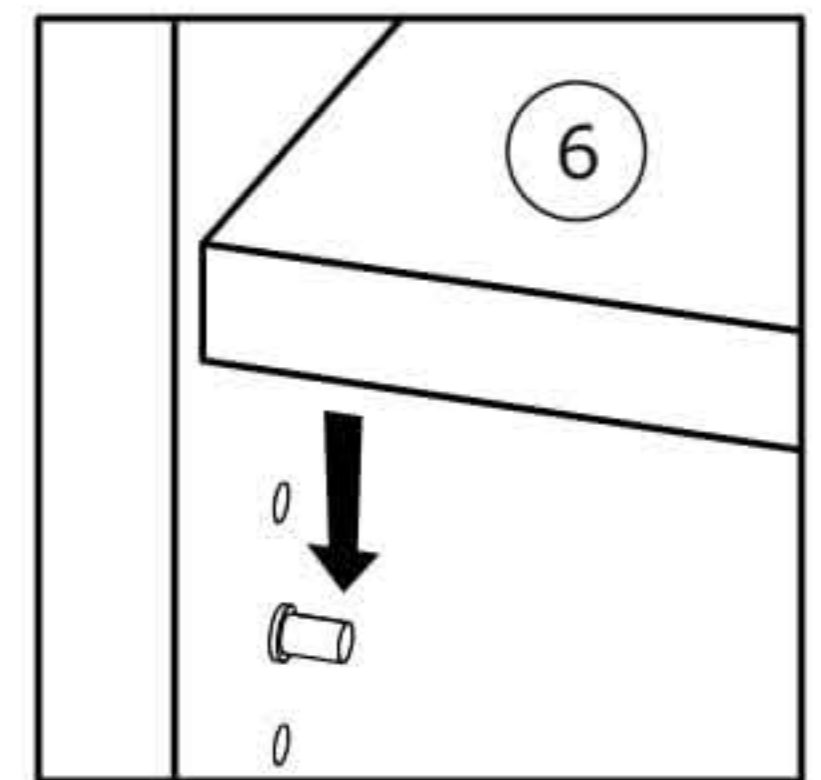
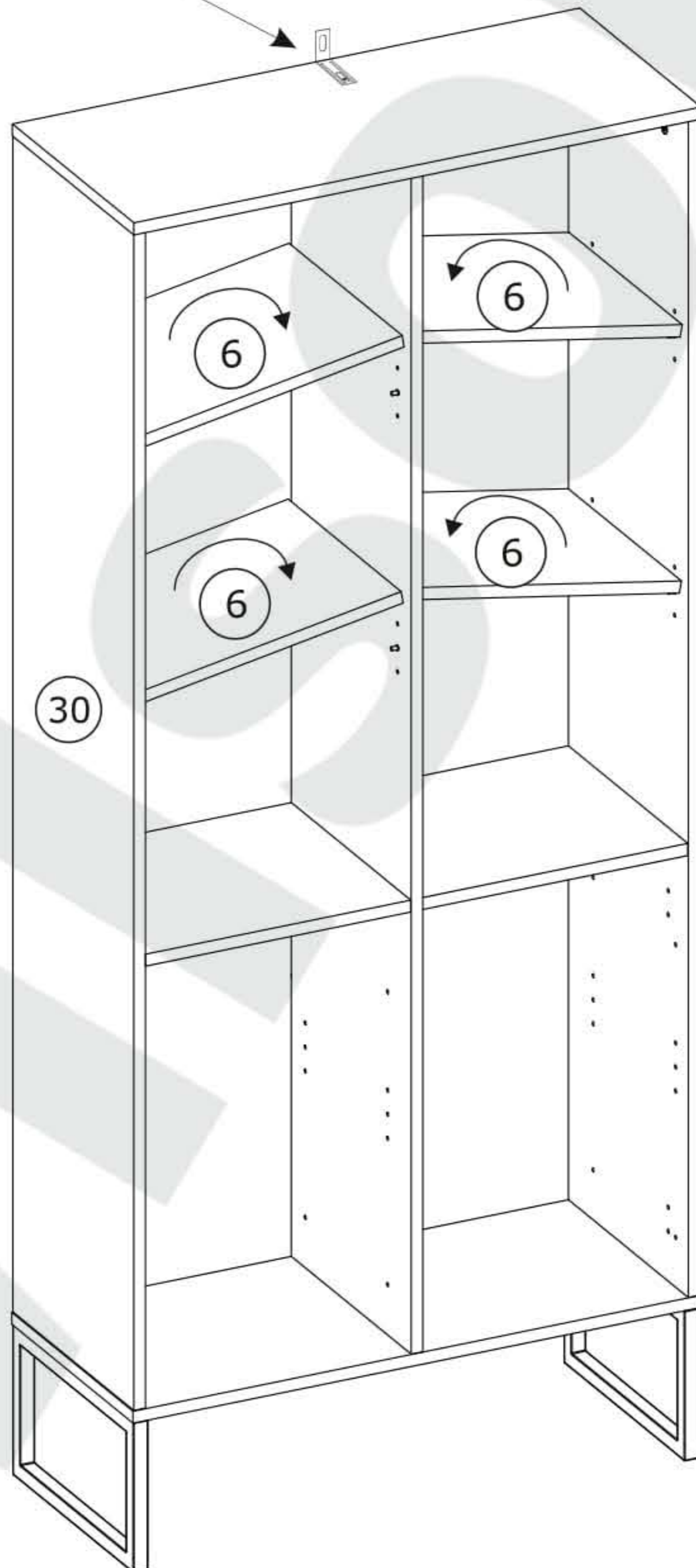
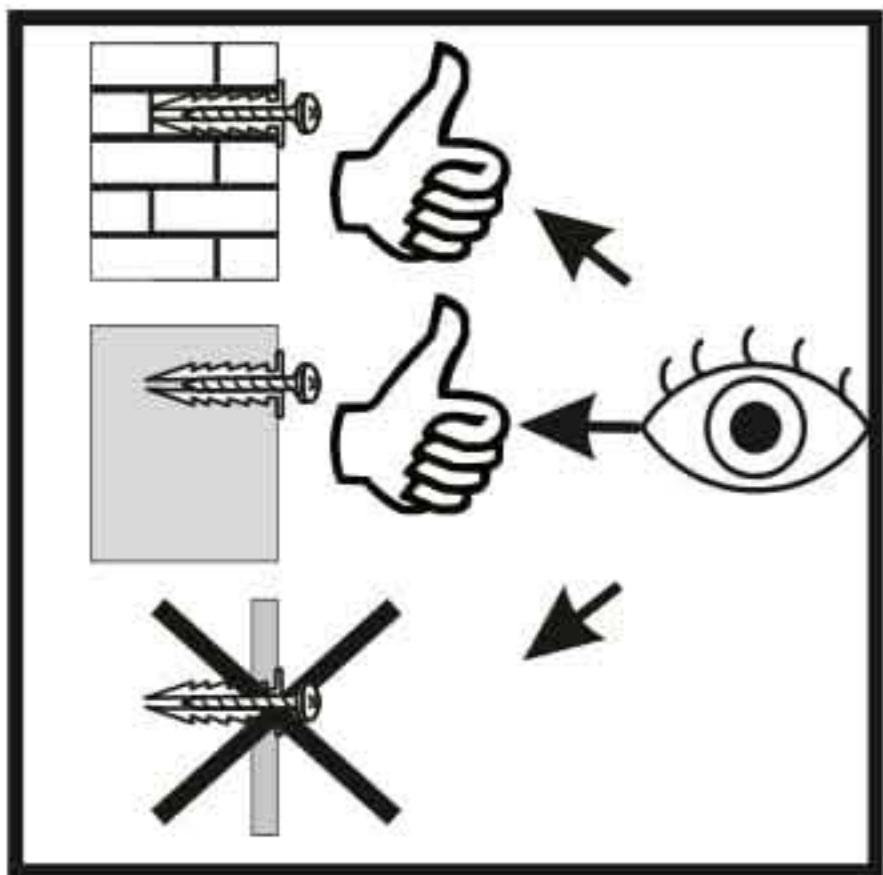
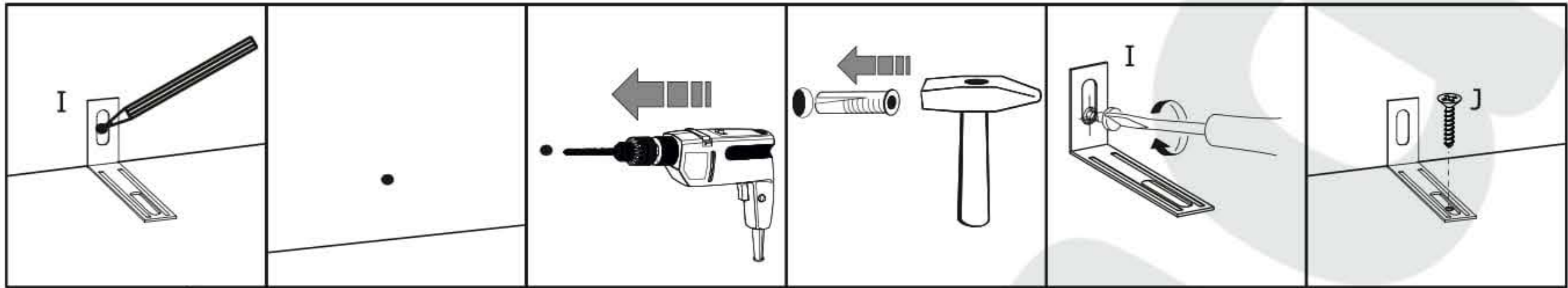
  $XX=YY=90^\circ$





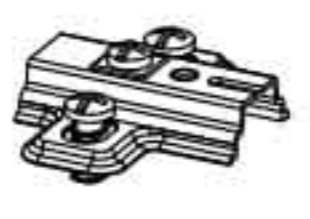
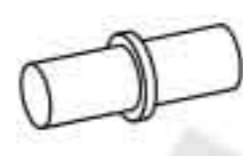
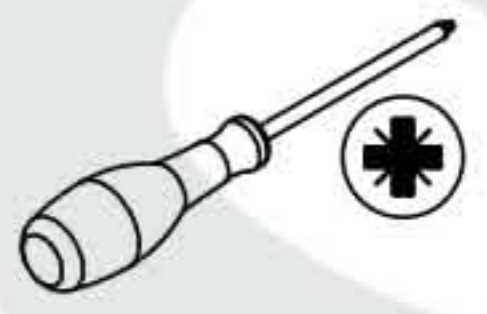
13

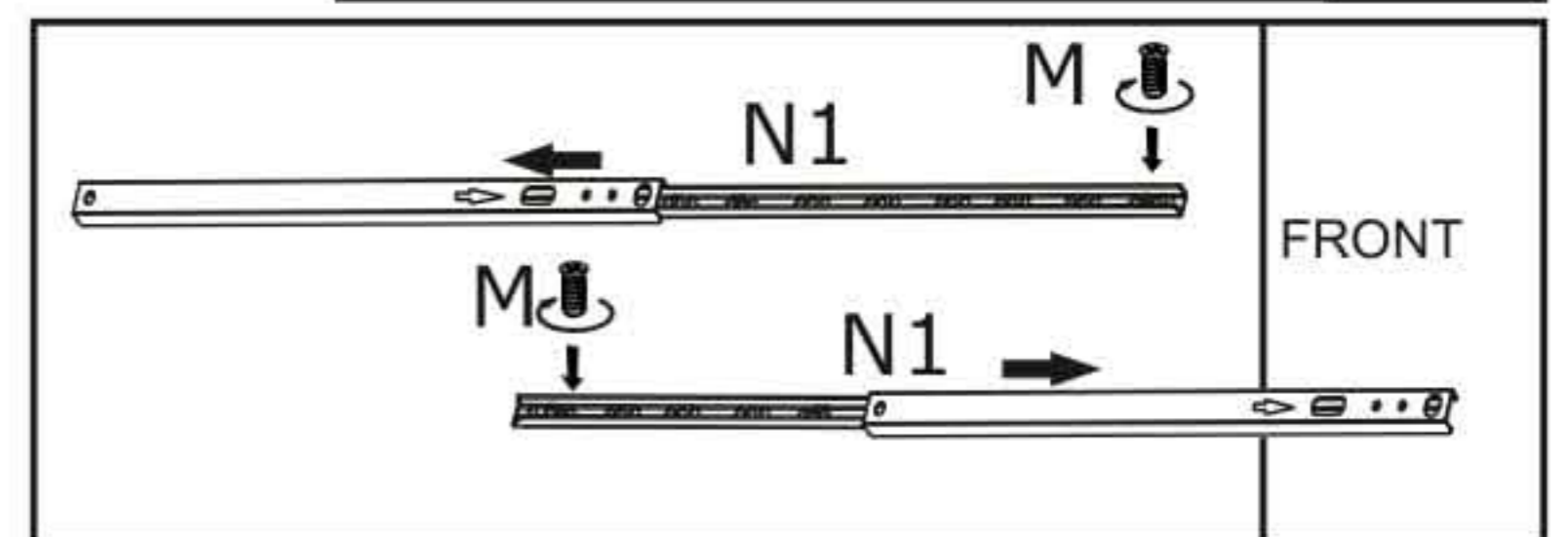
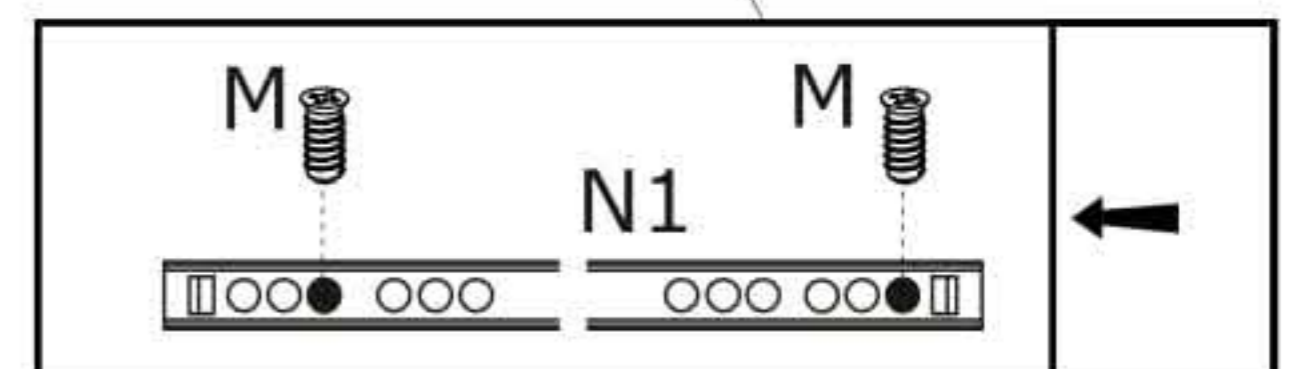
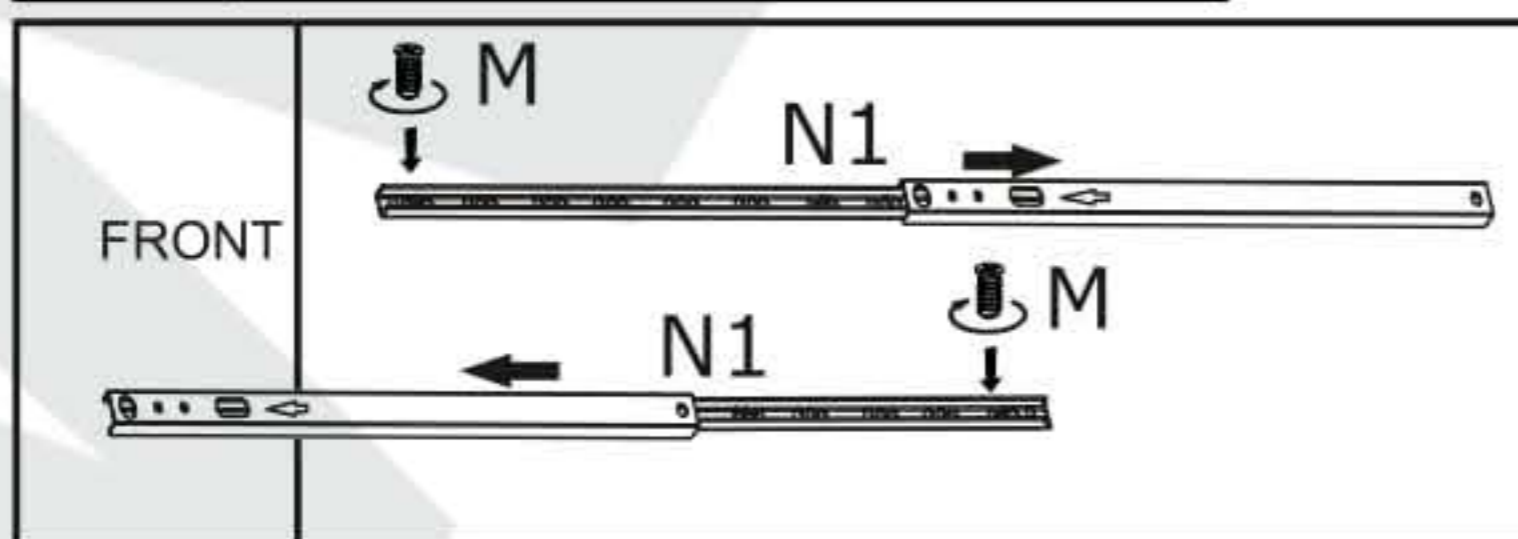
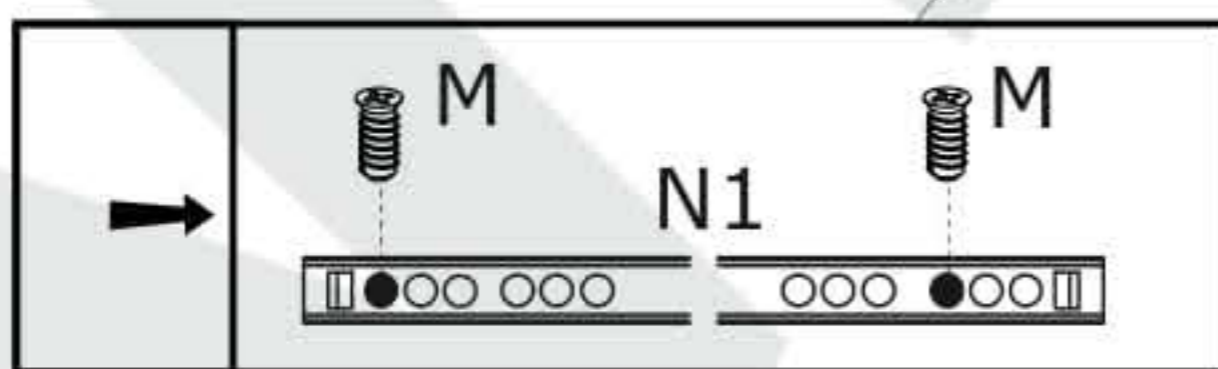
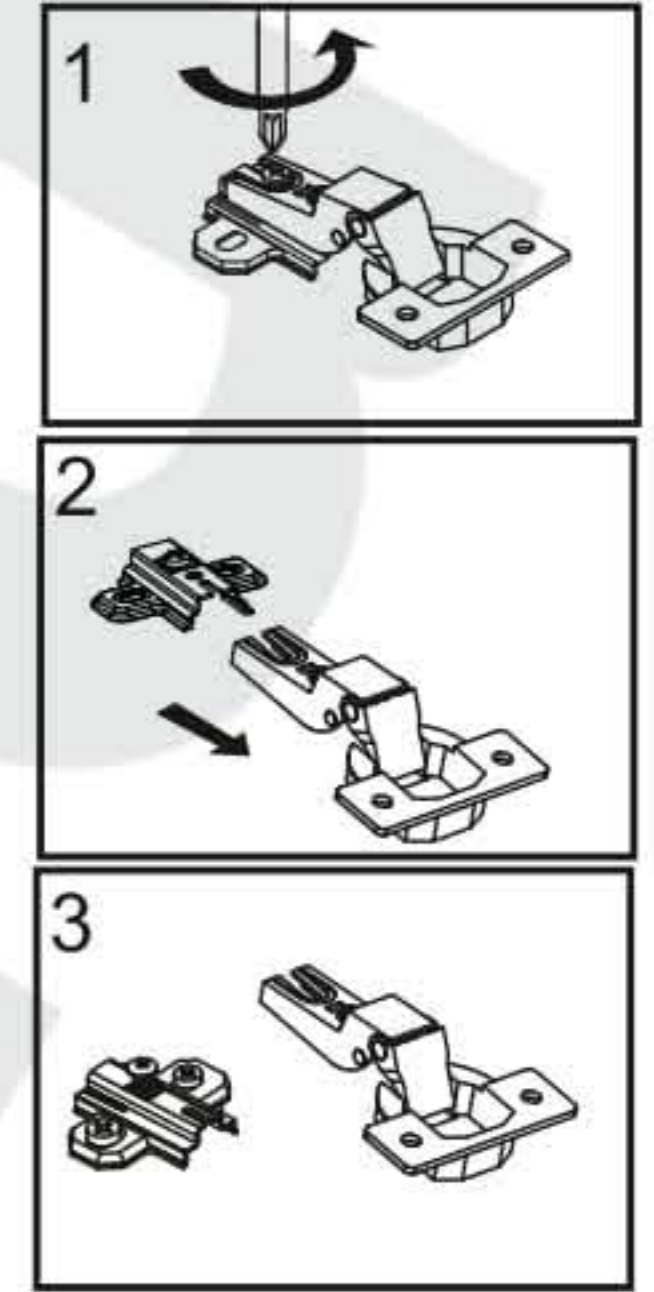
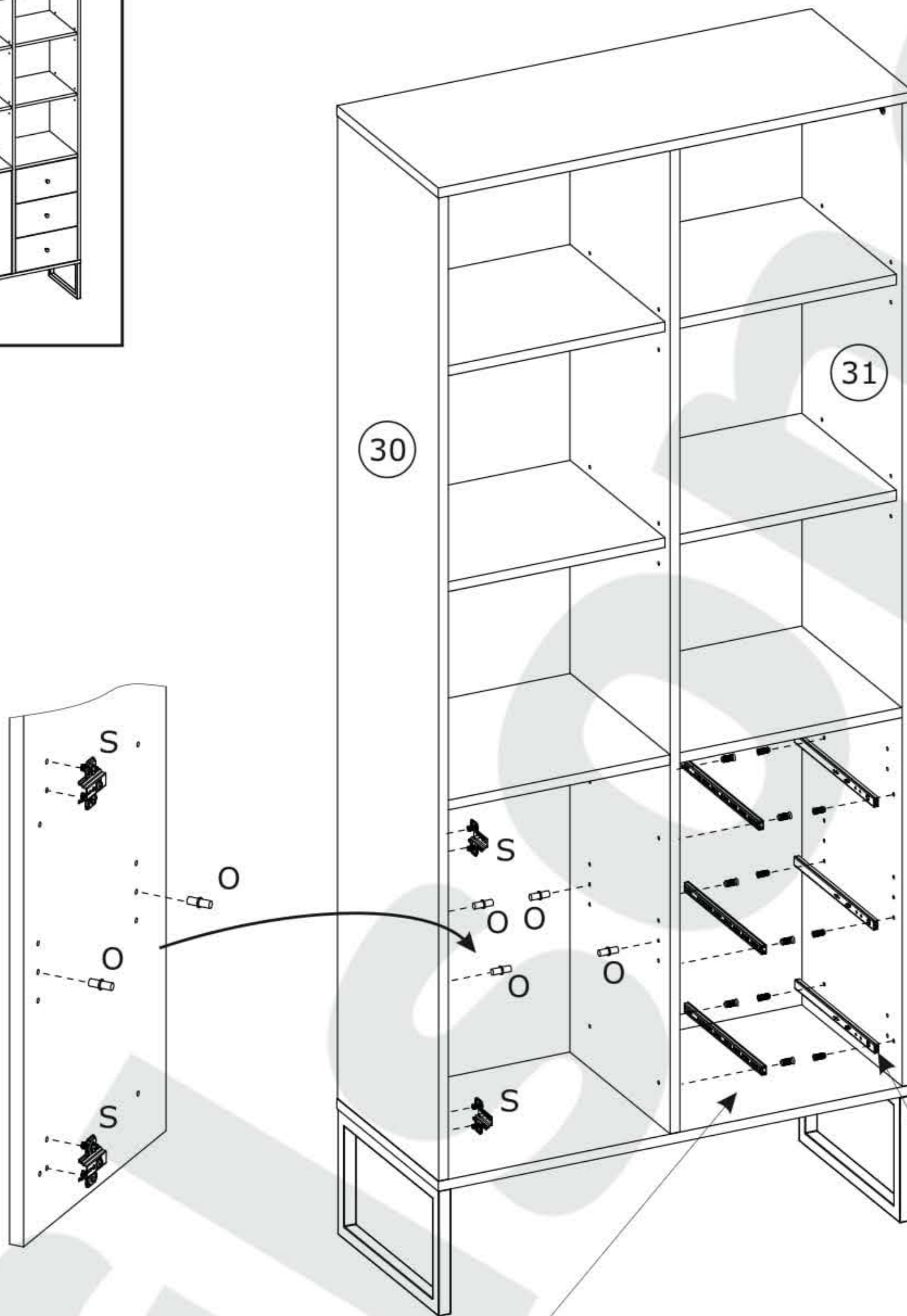
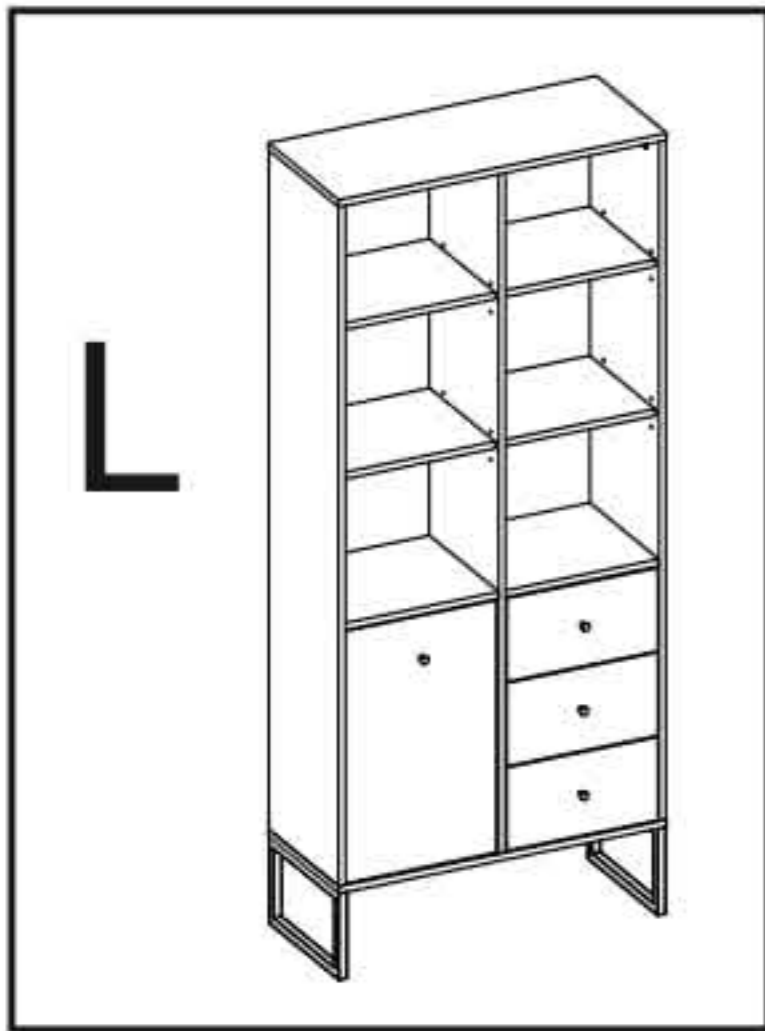


14



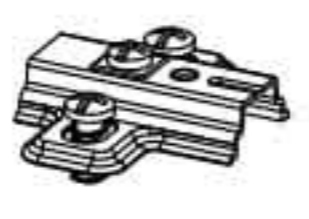
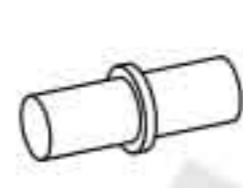



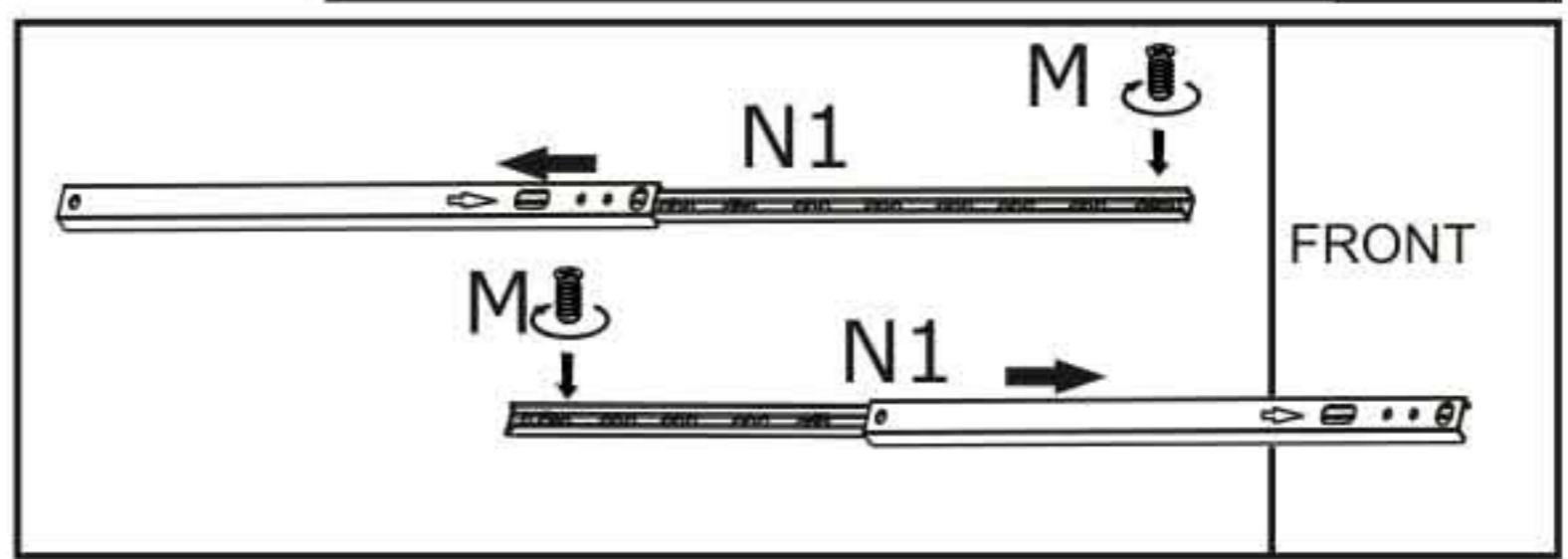
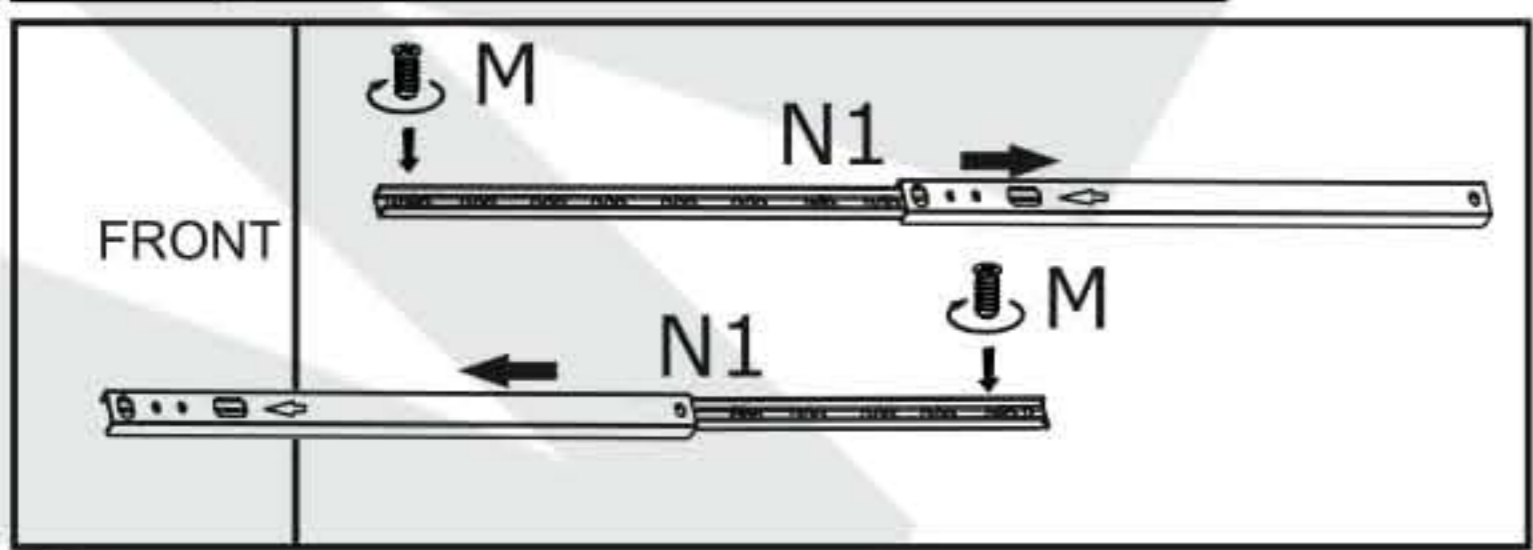
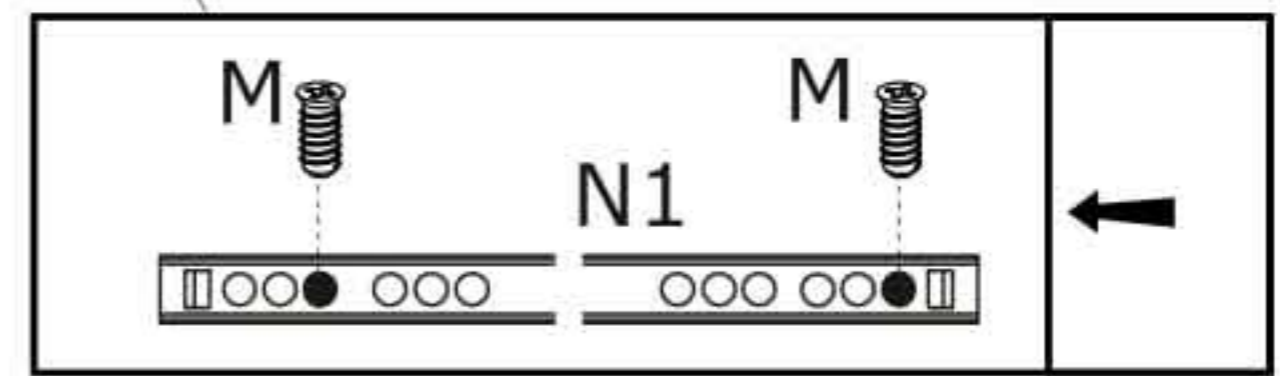
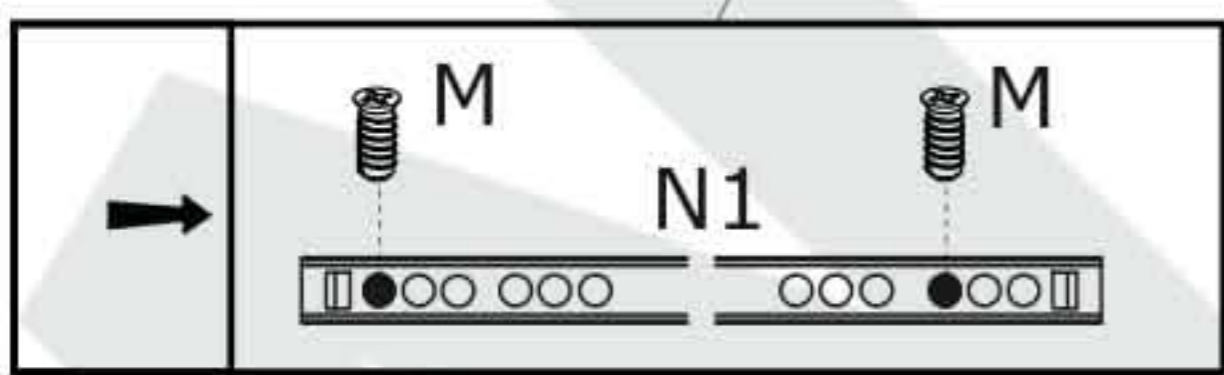
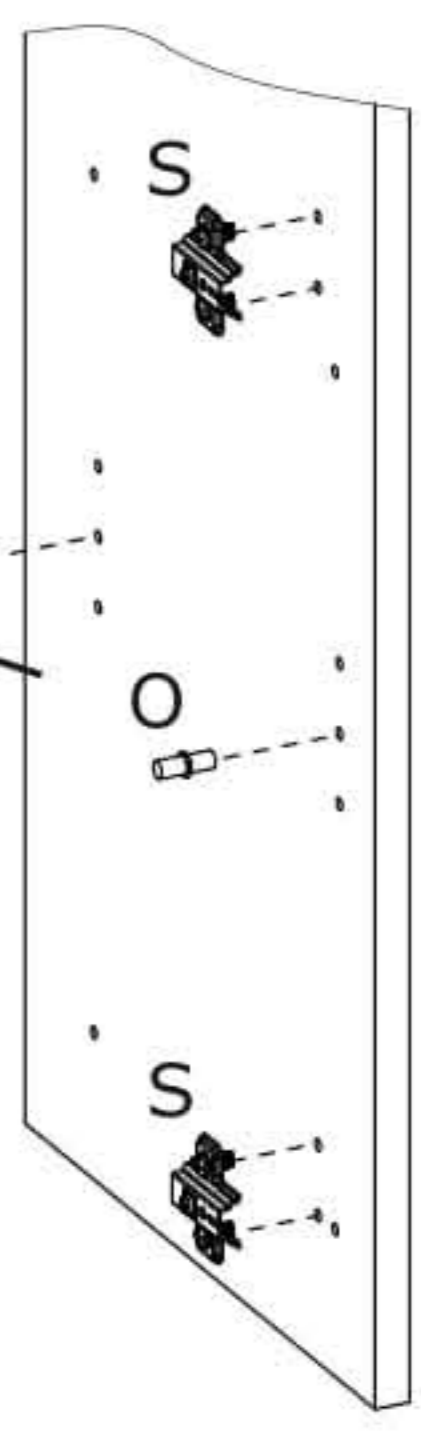
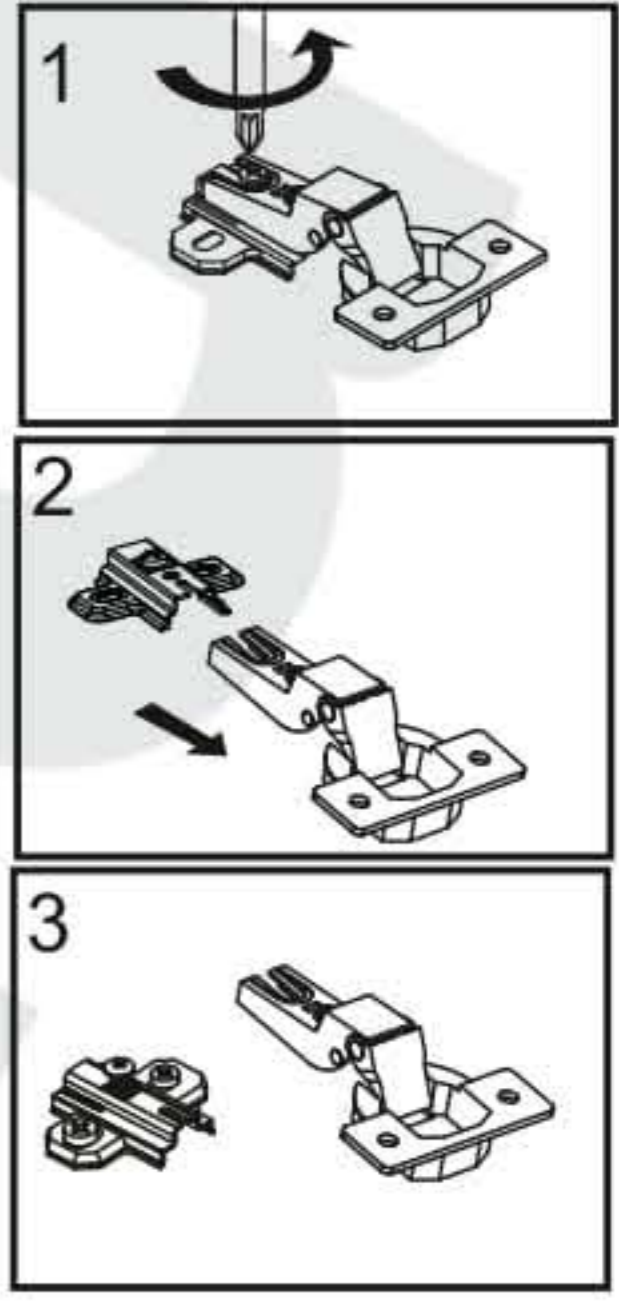
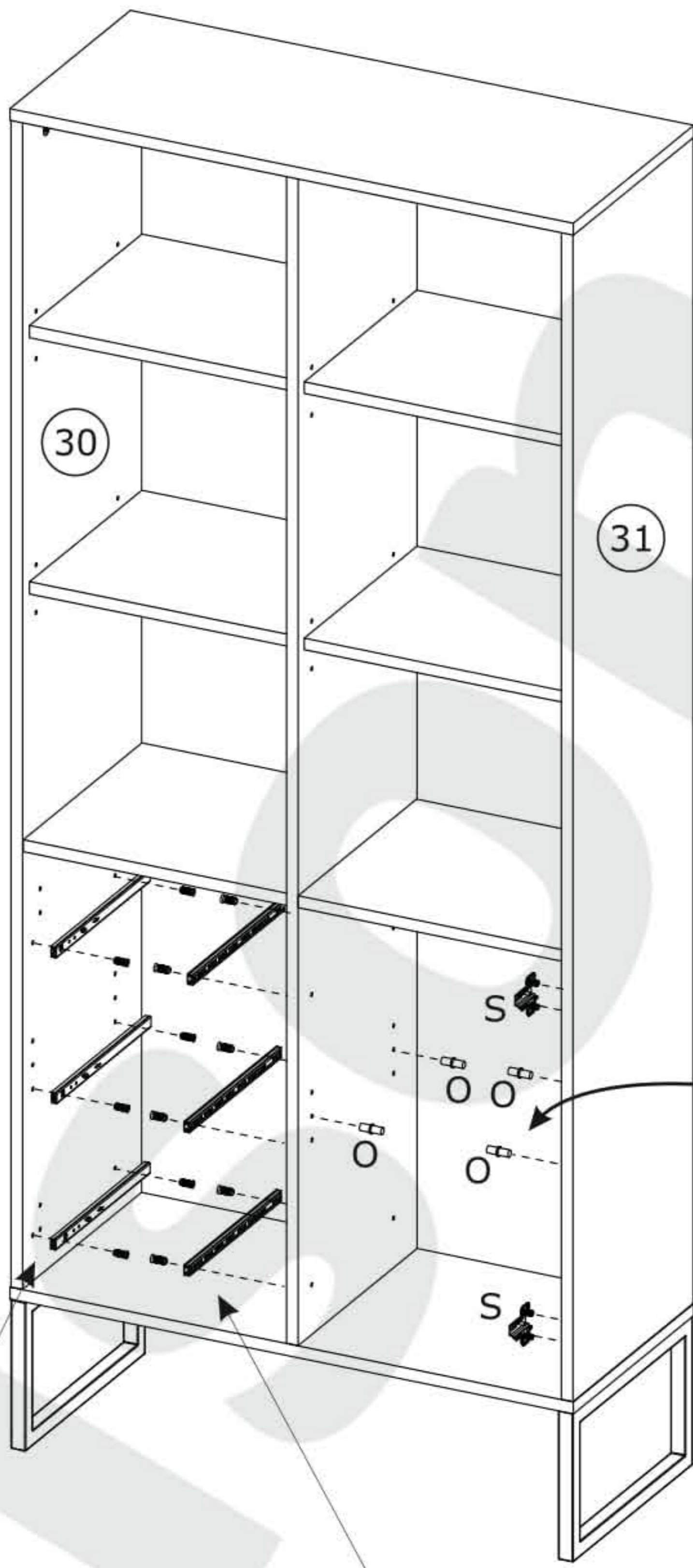
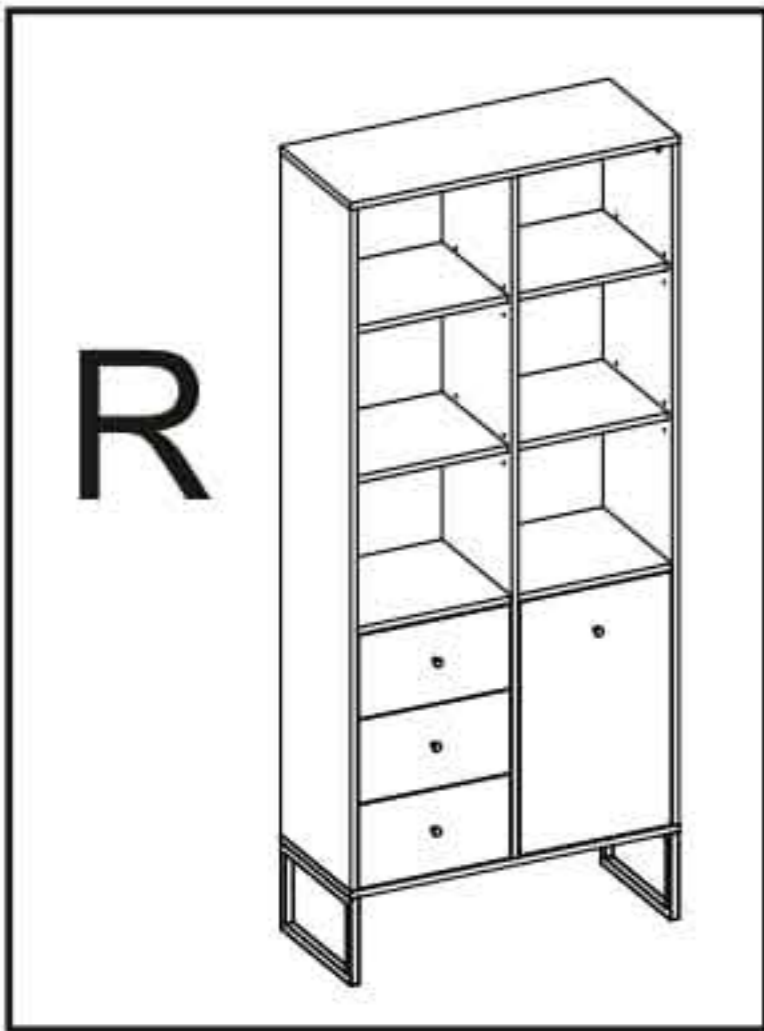
15

M x 12  Ø6,3x13 mm	N1 x 6  278 mm	S x 2 	O x 4  Ø5 mm	
---	--	--	---	---



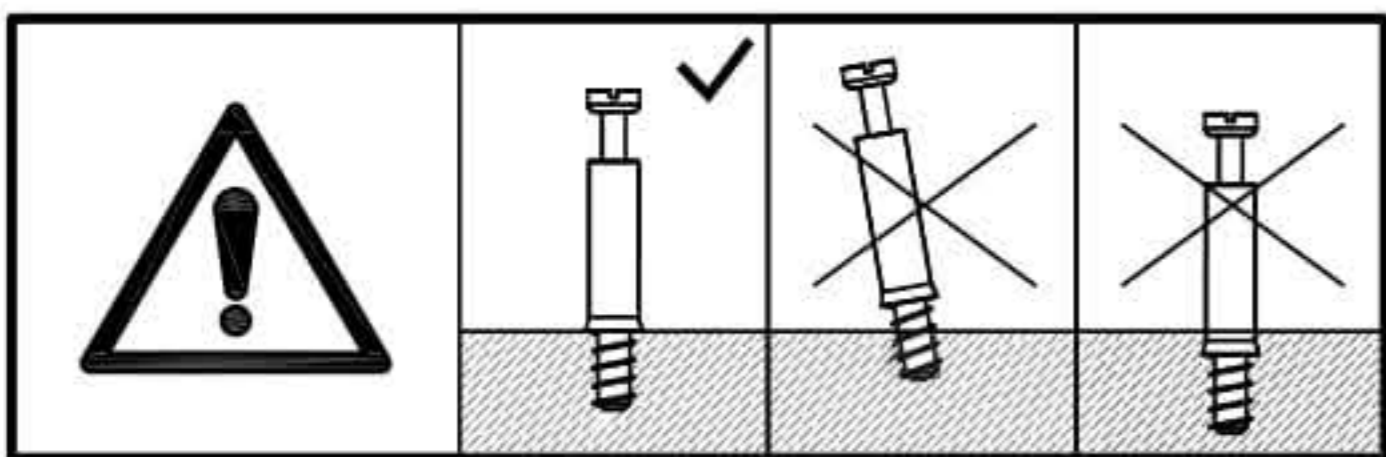
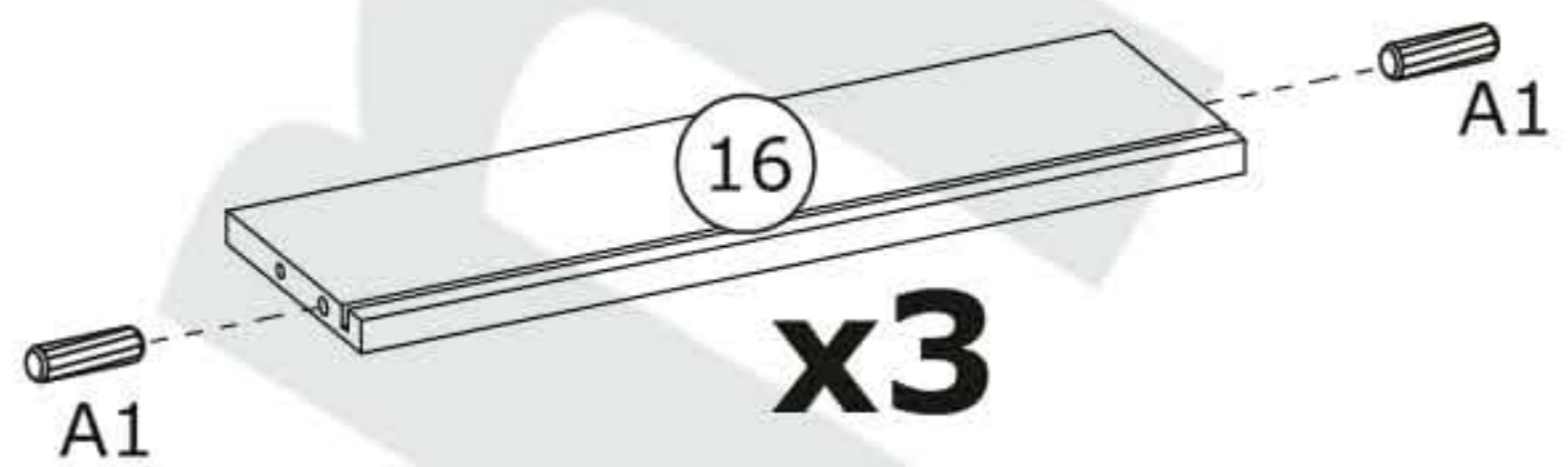
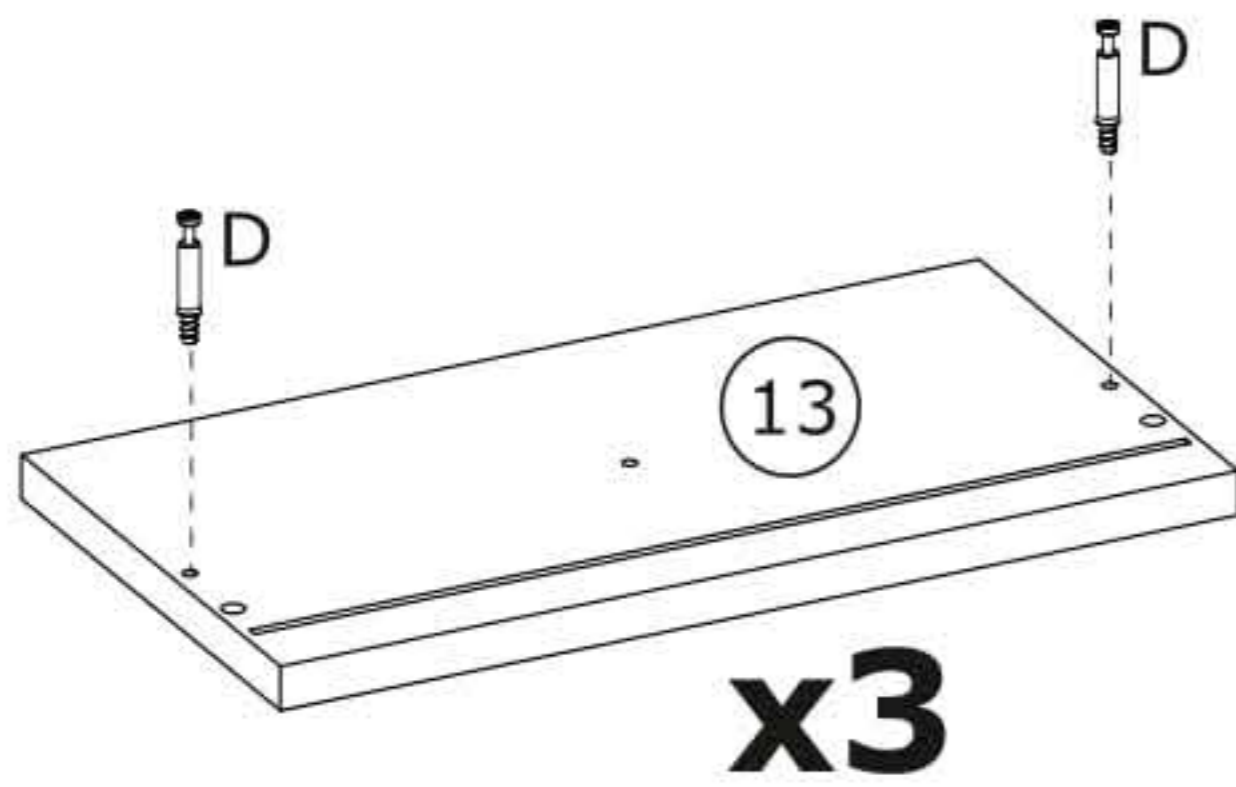
16

M x 12  Ø6,3x13 mm	N1 x 6  278 mm	S x 2 	O x 4  Ø5 mm	
---	--	--	---	---

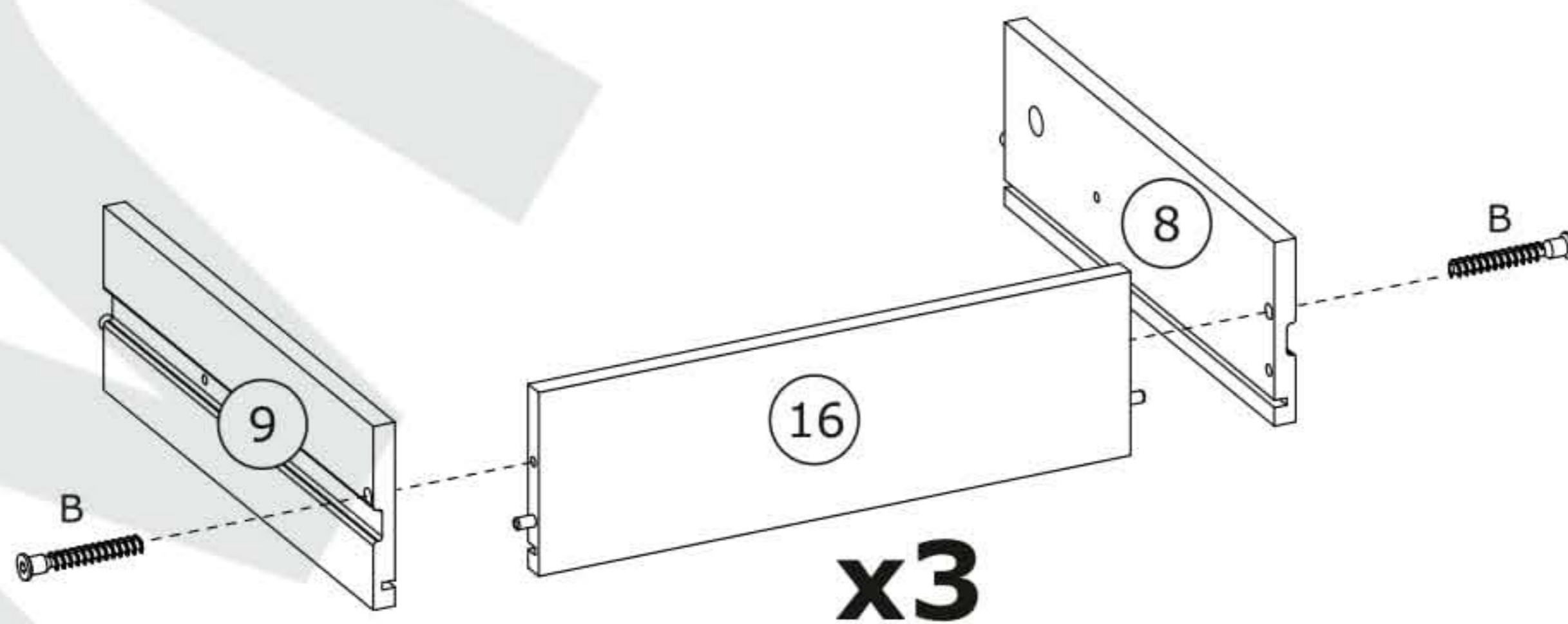
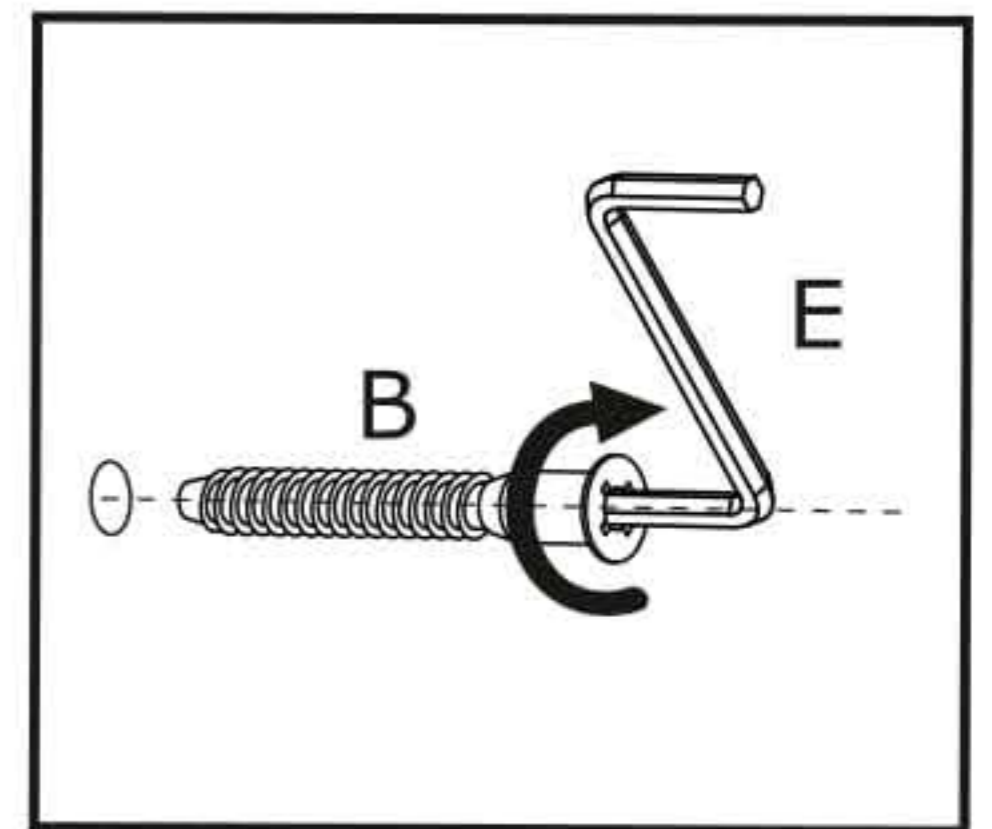
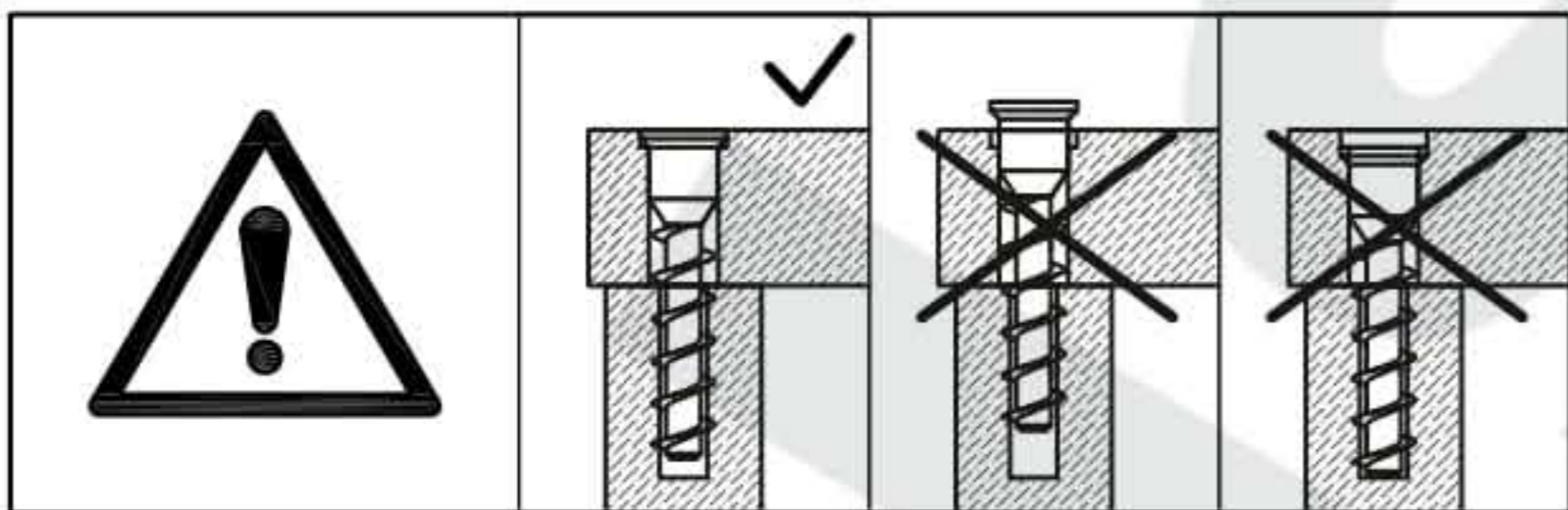




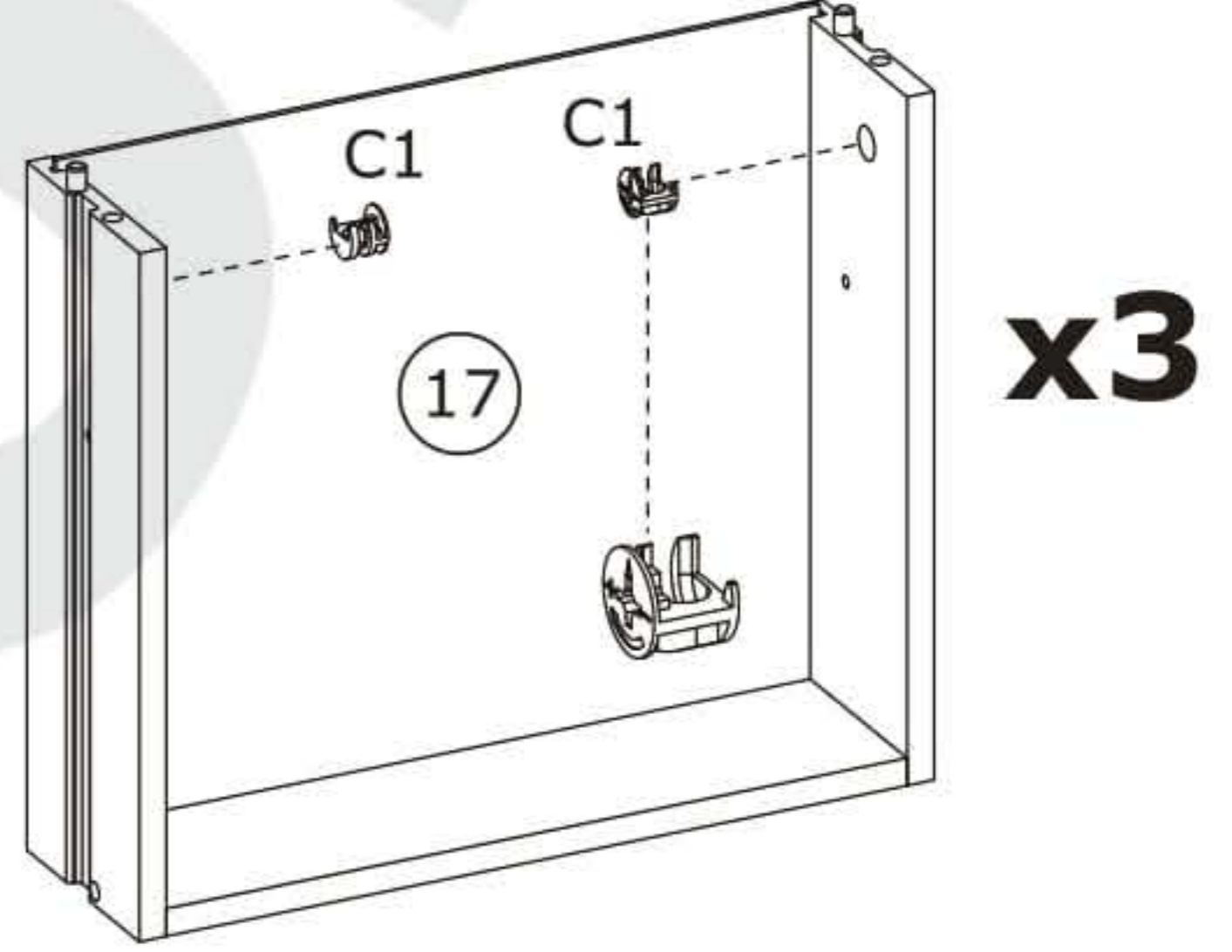
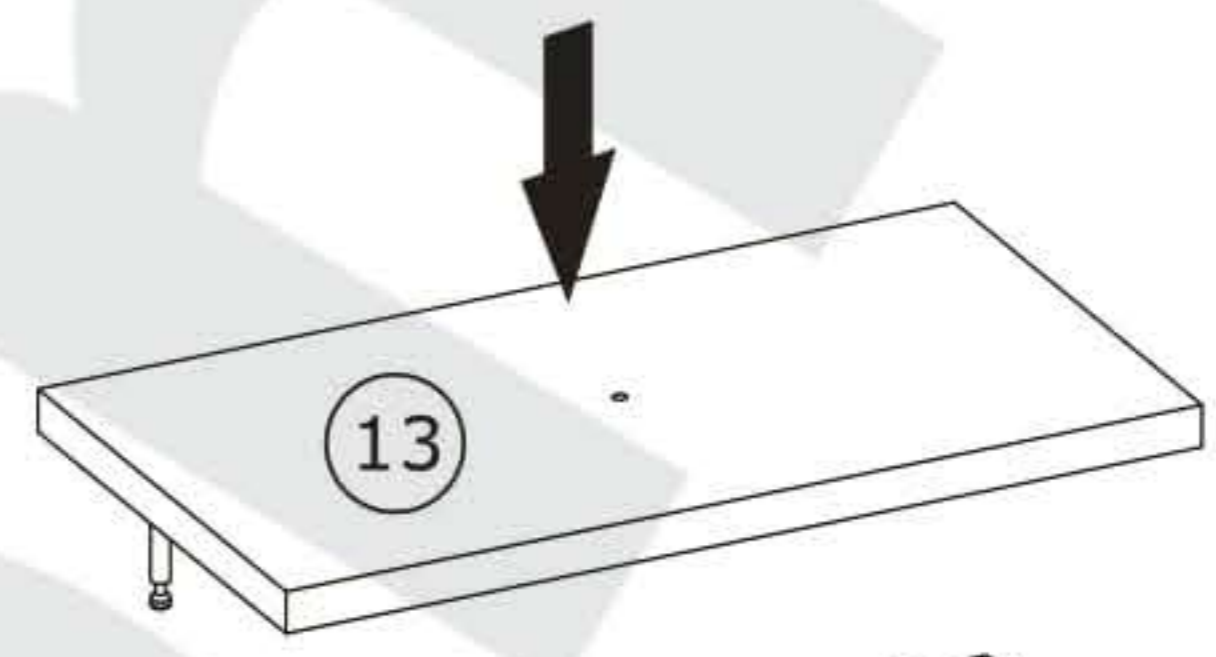
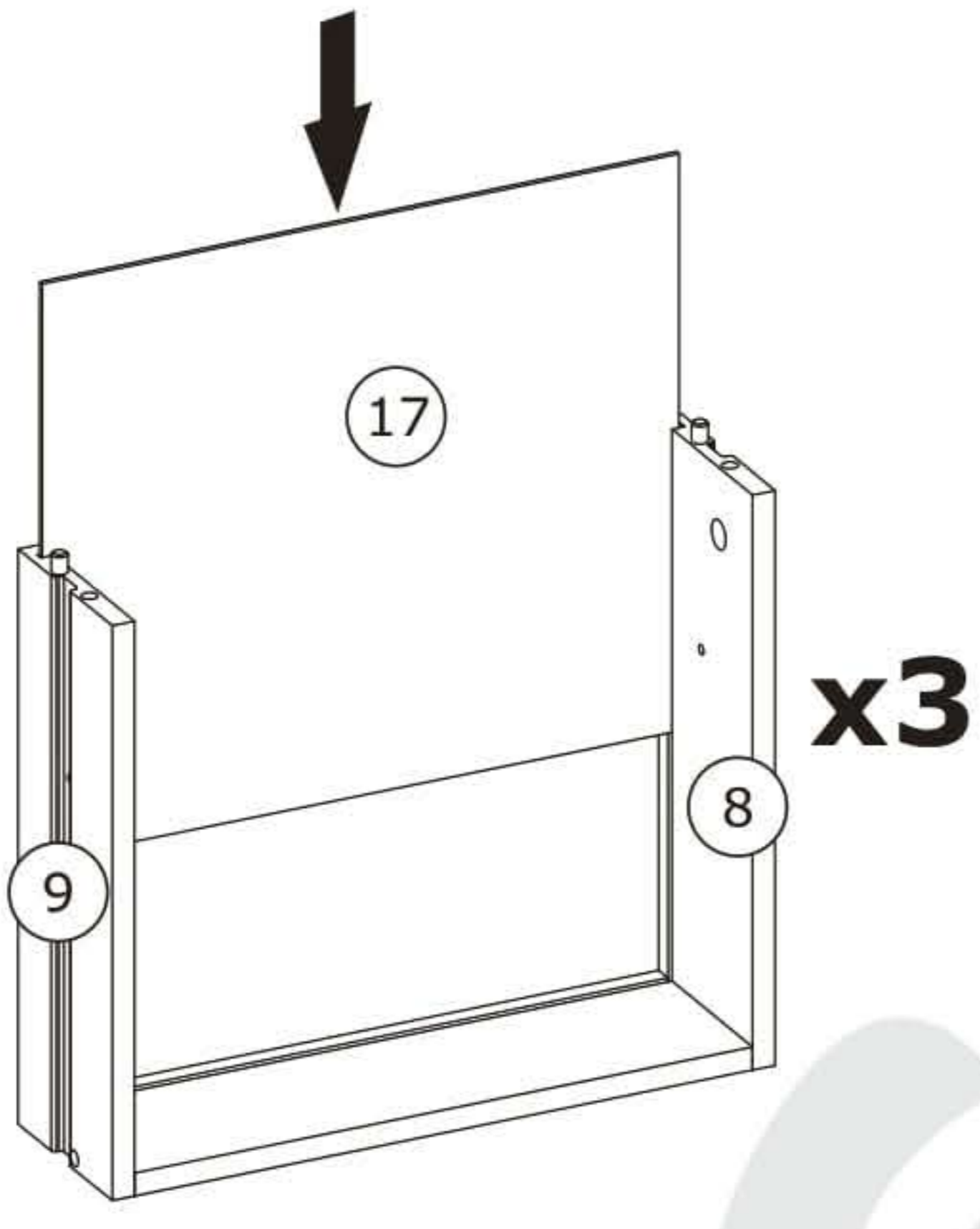
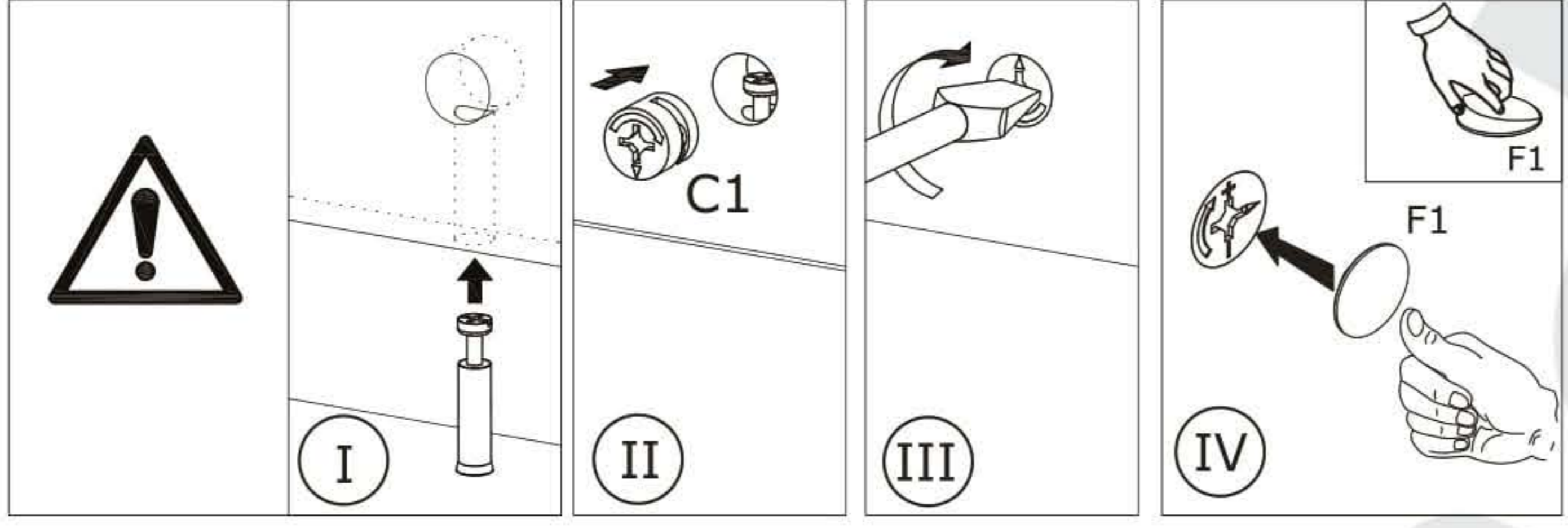
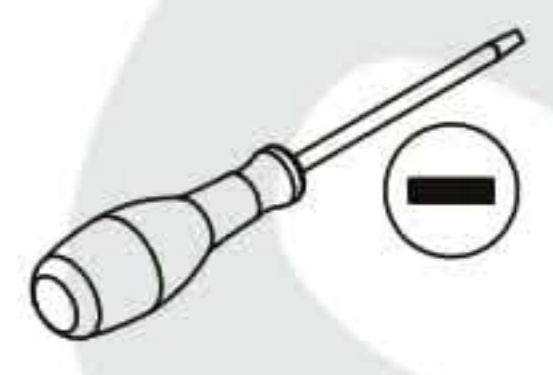
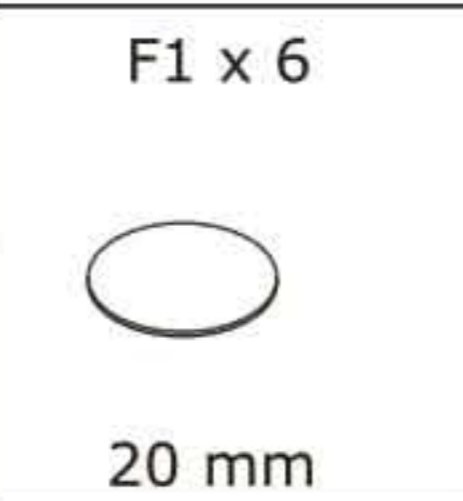
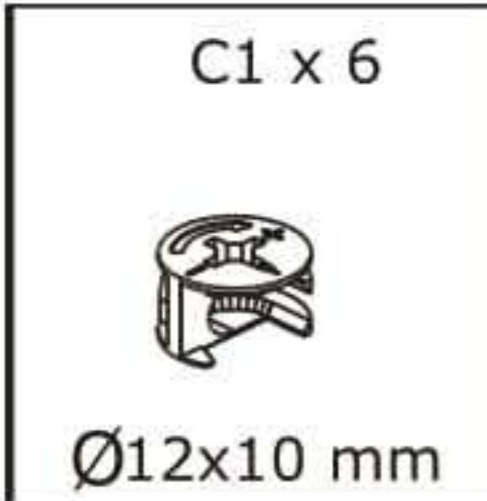
17



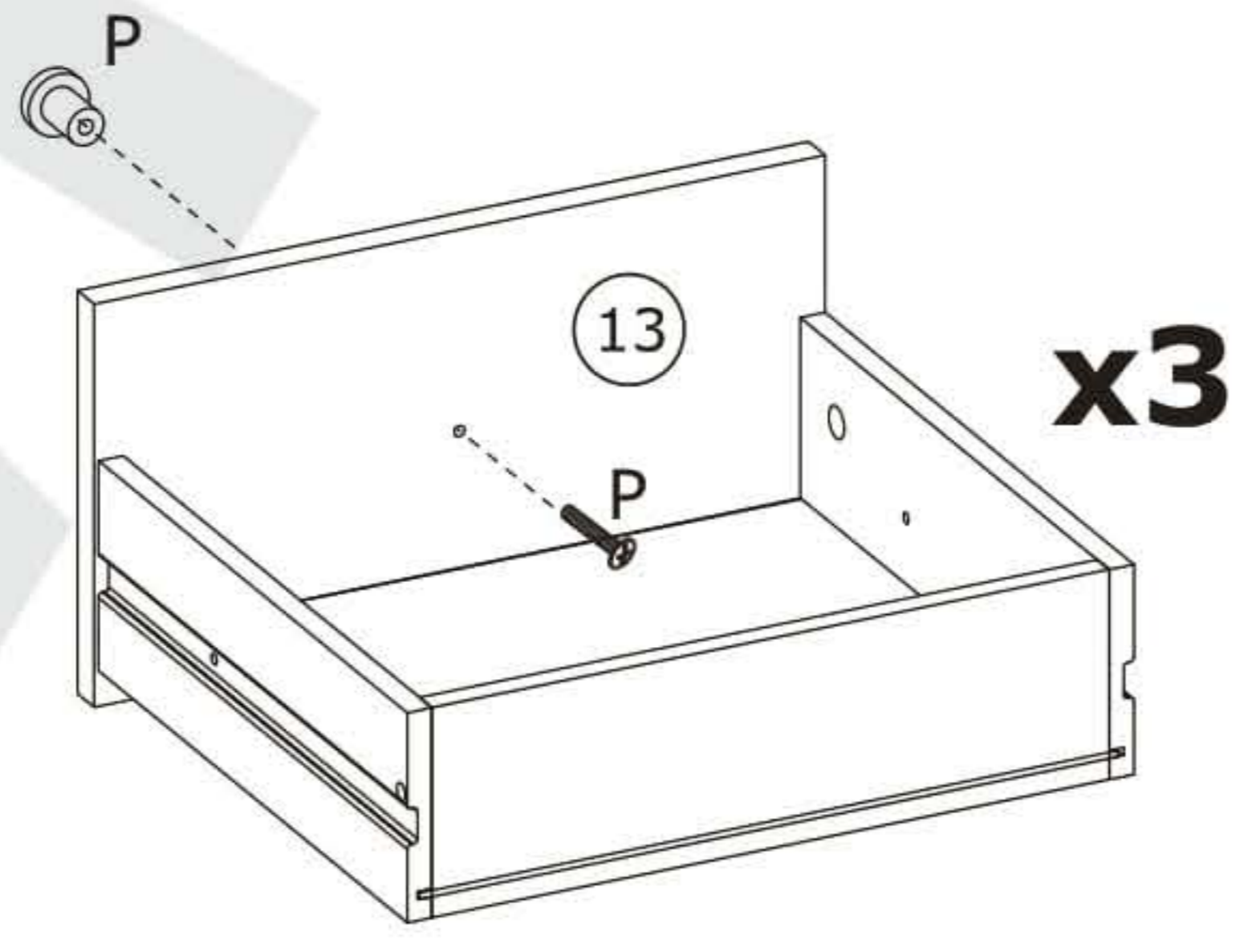
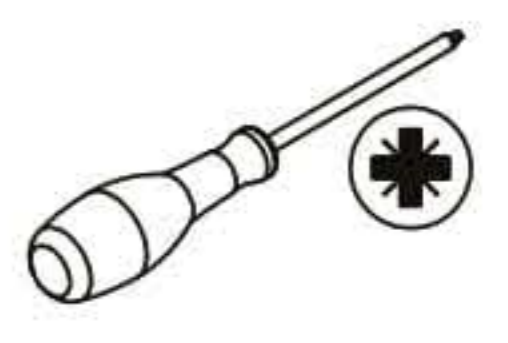
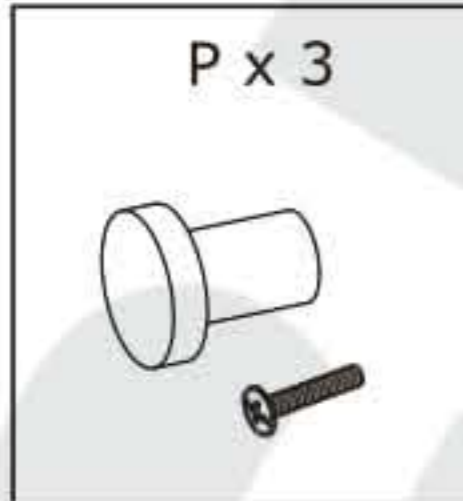
18



19

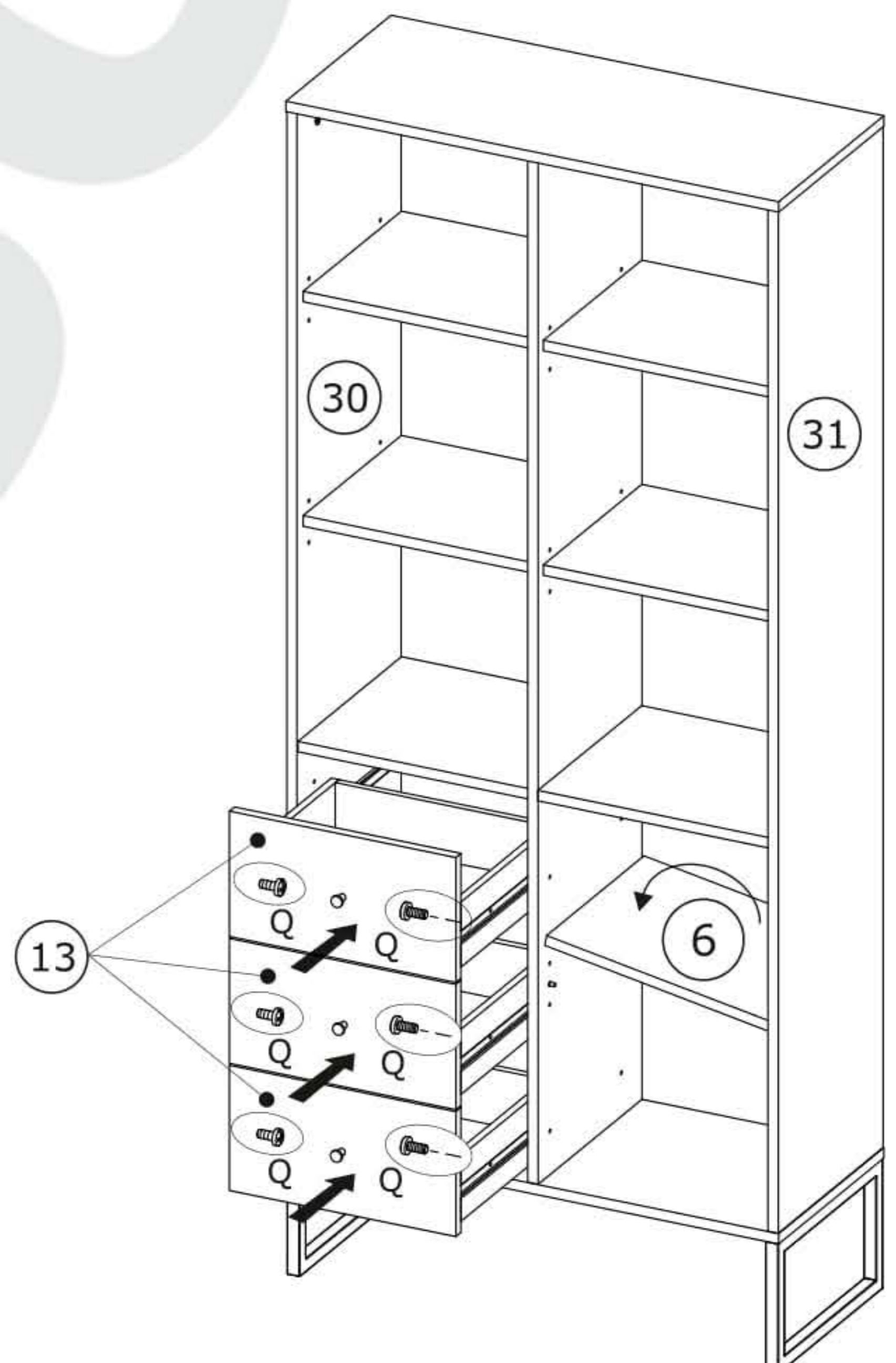
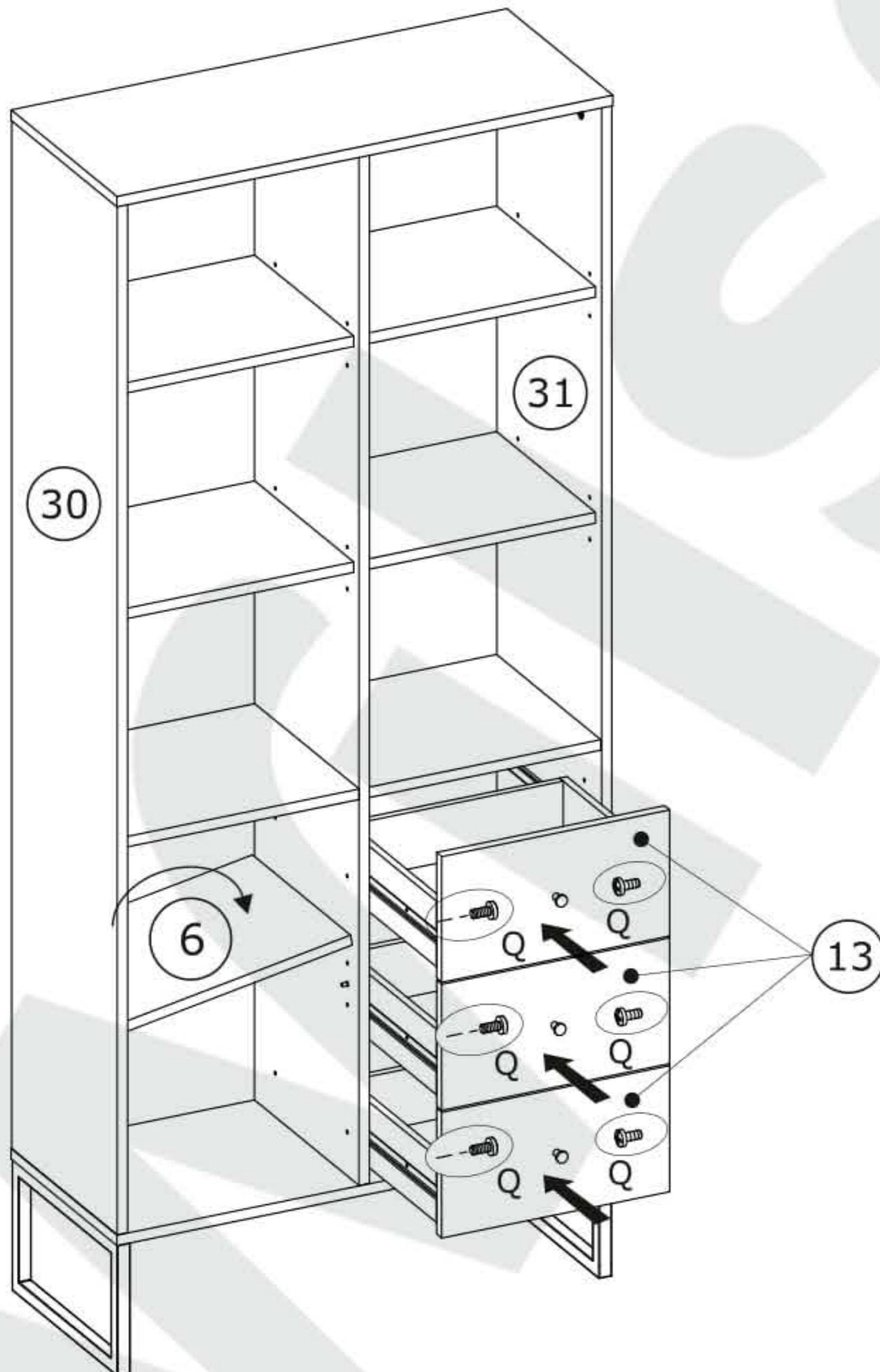
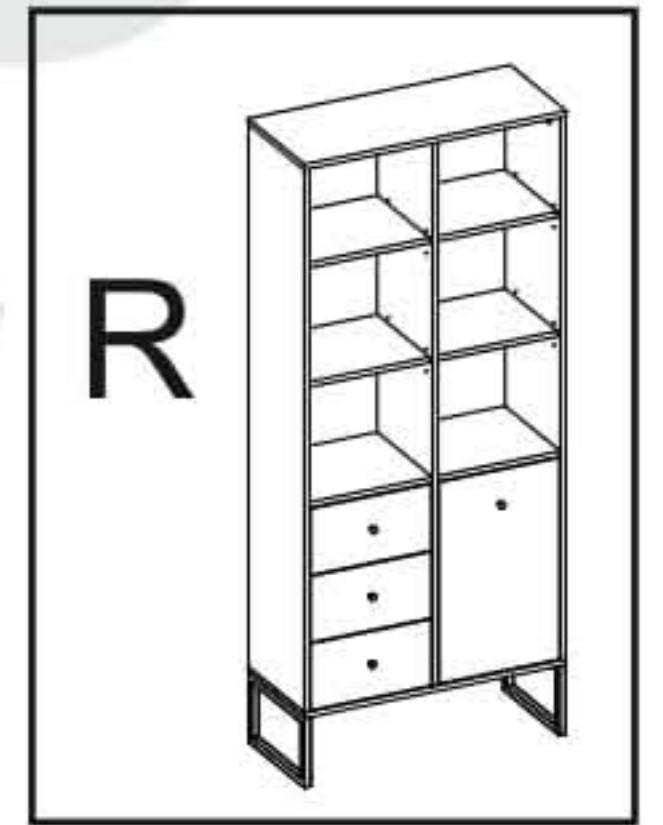
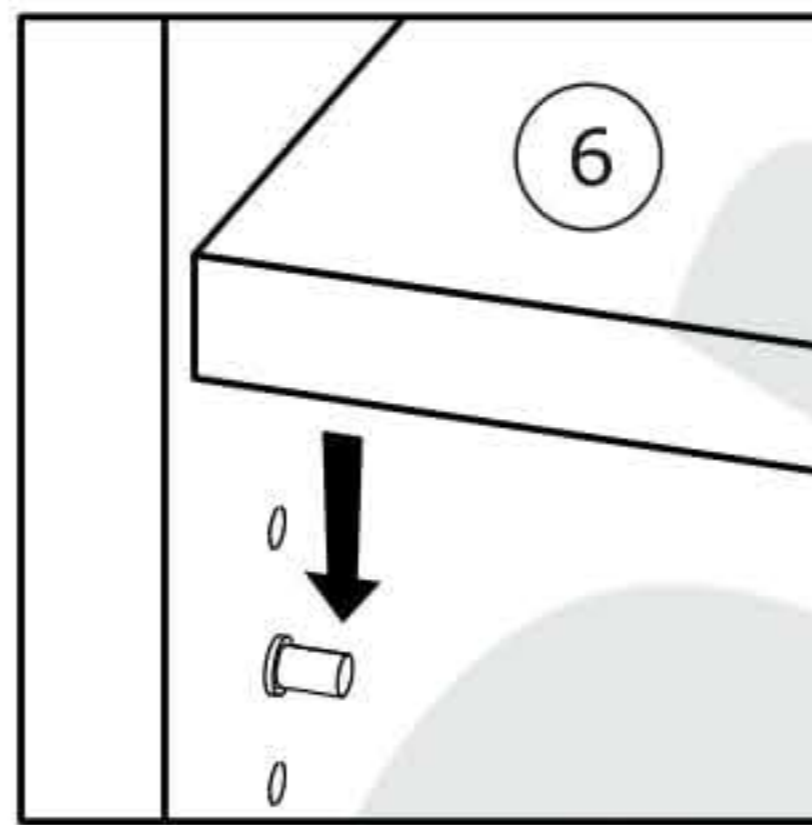
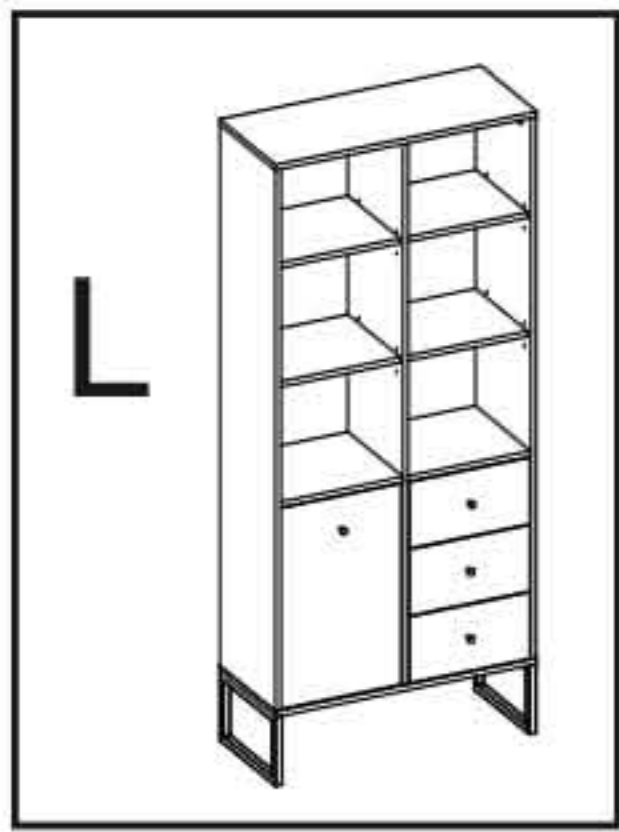
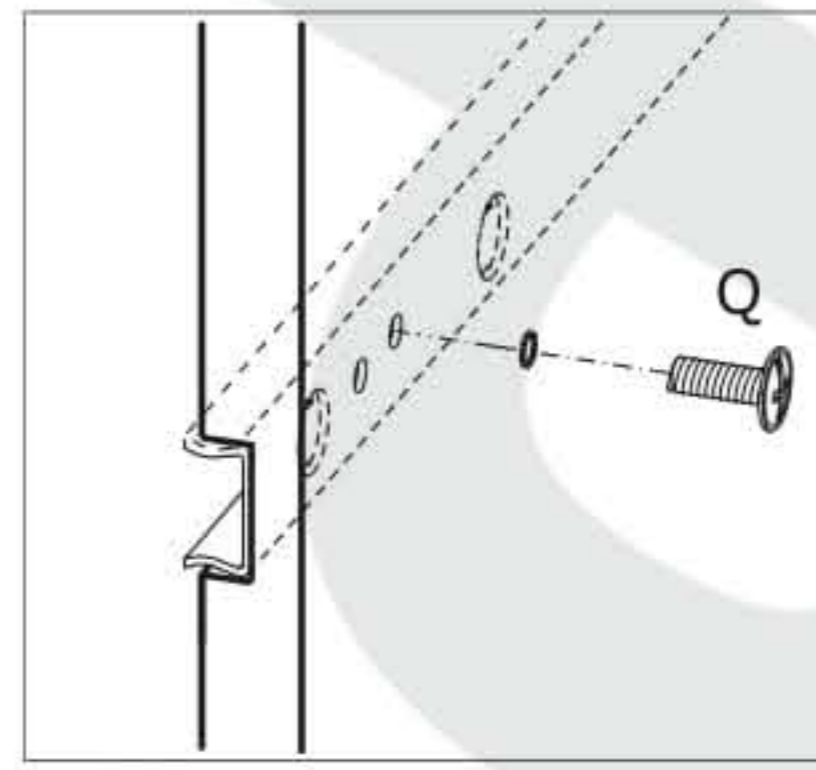
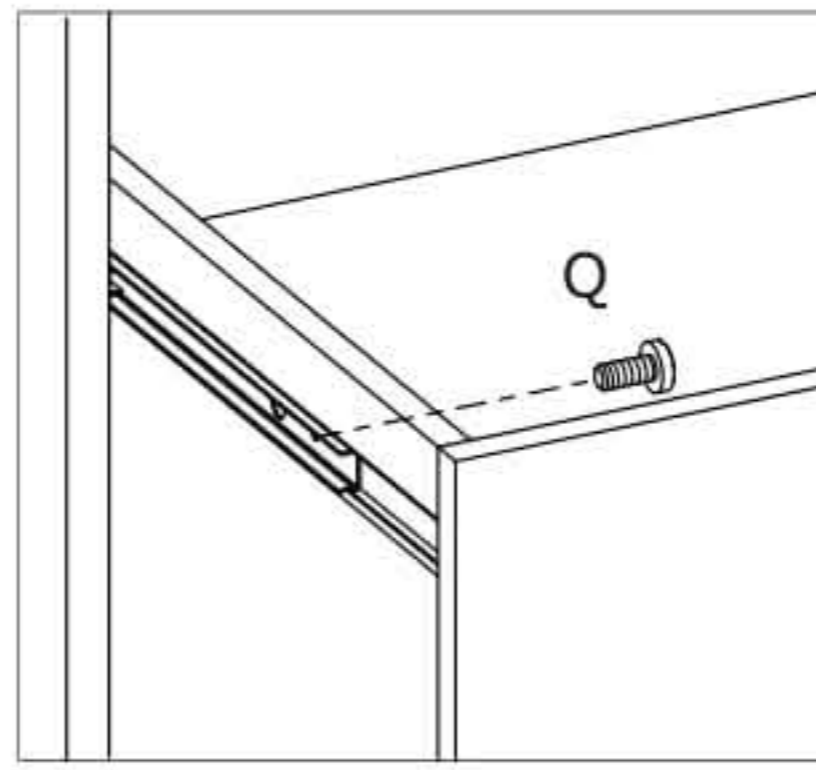
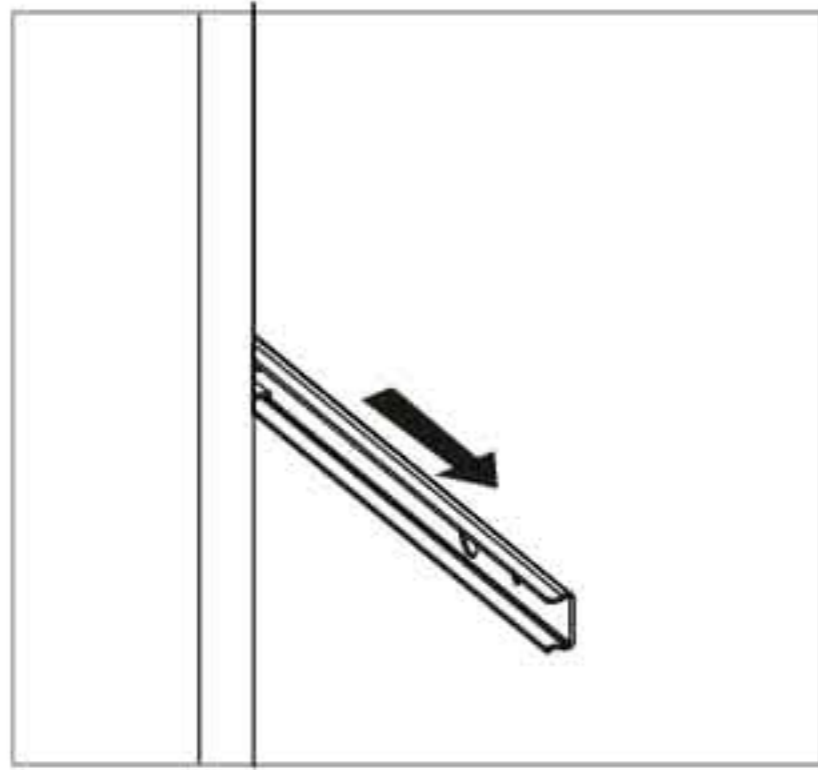


20

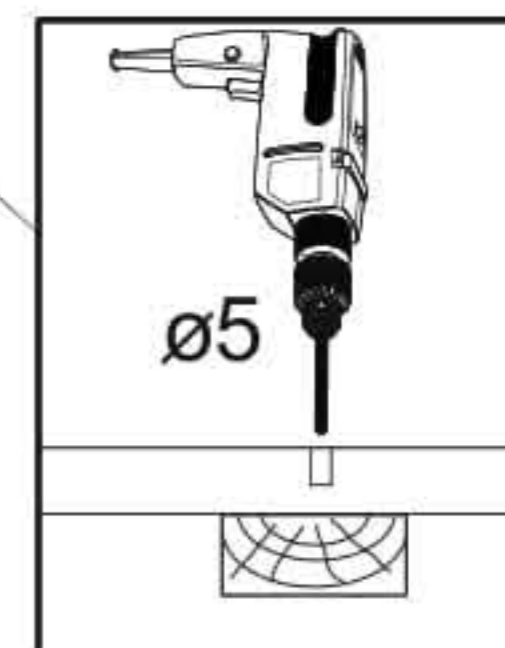
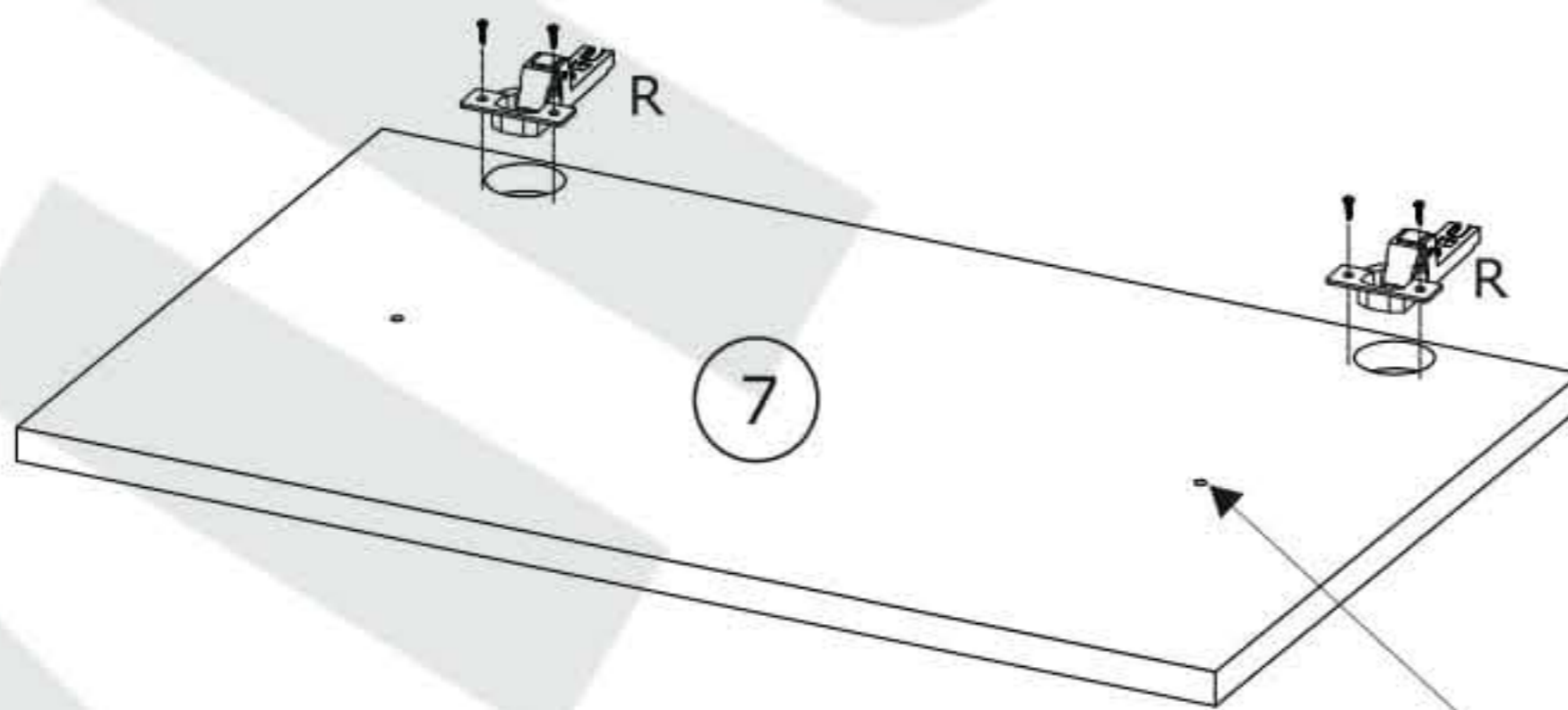
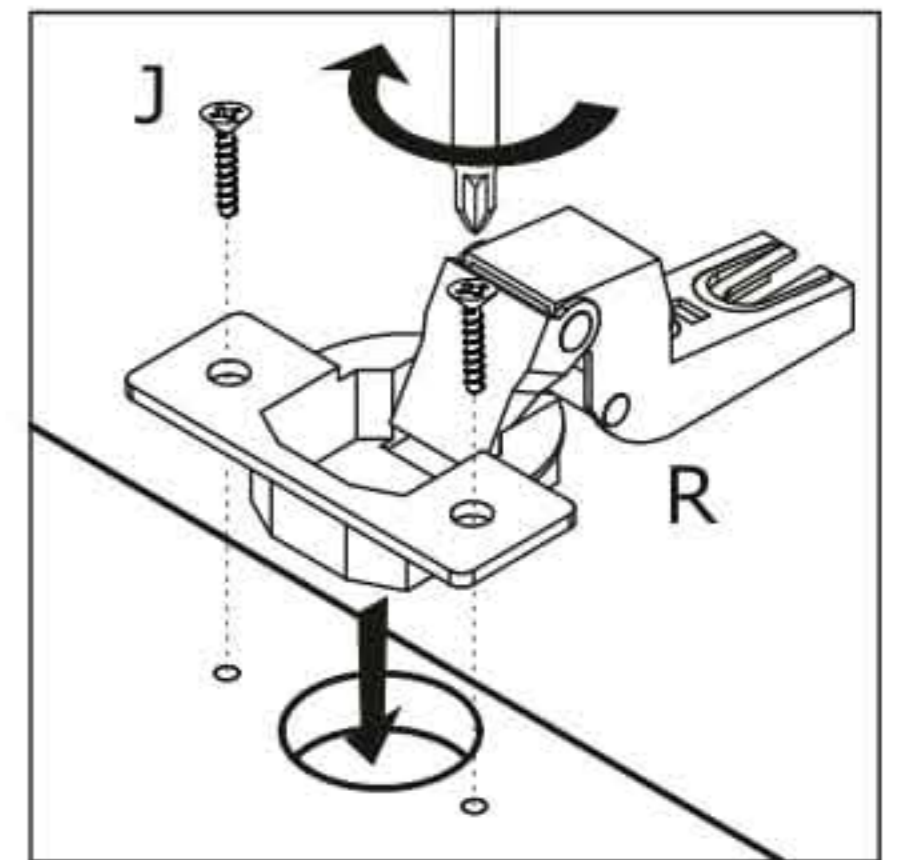
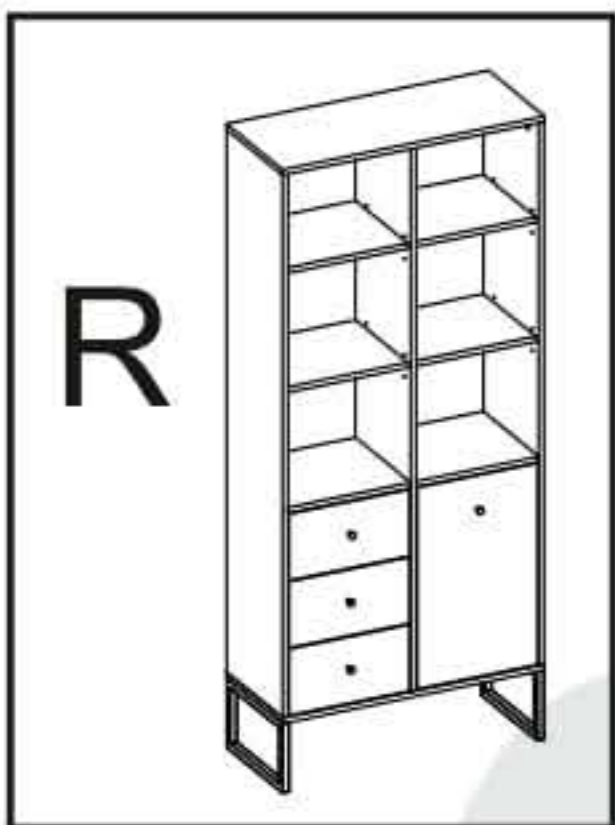
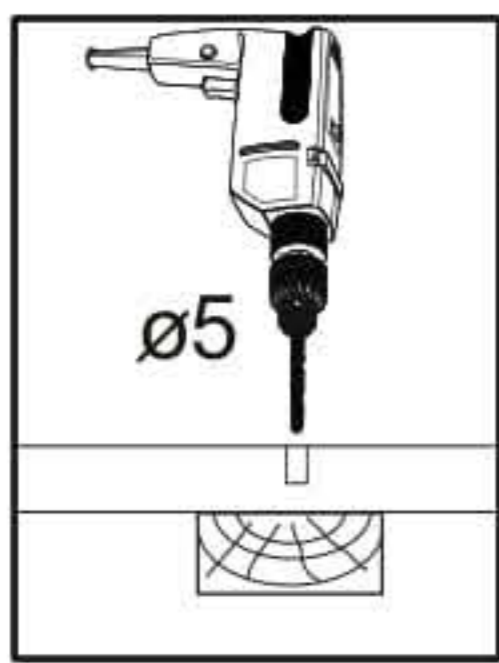
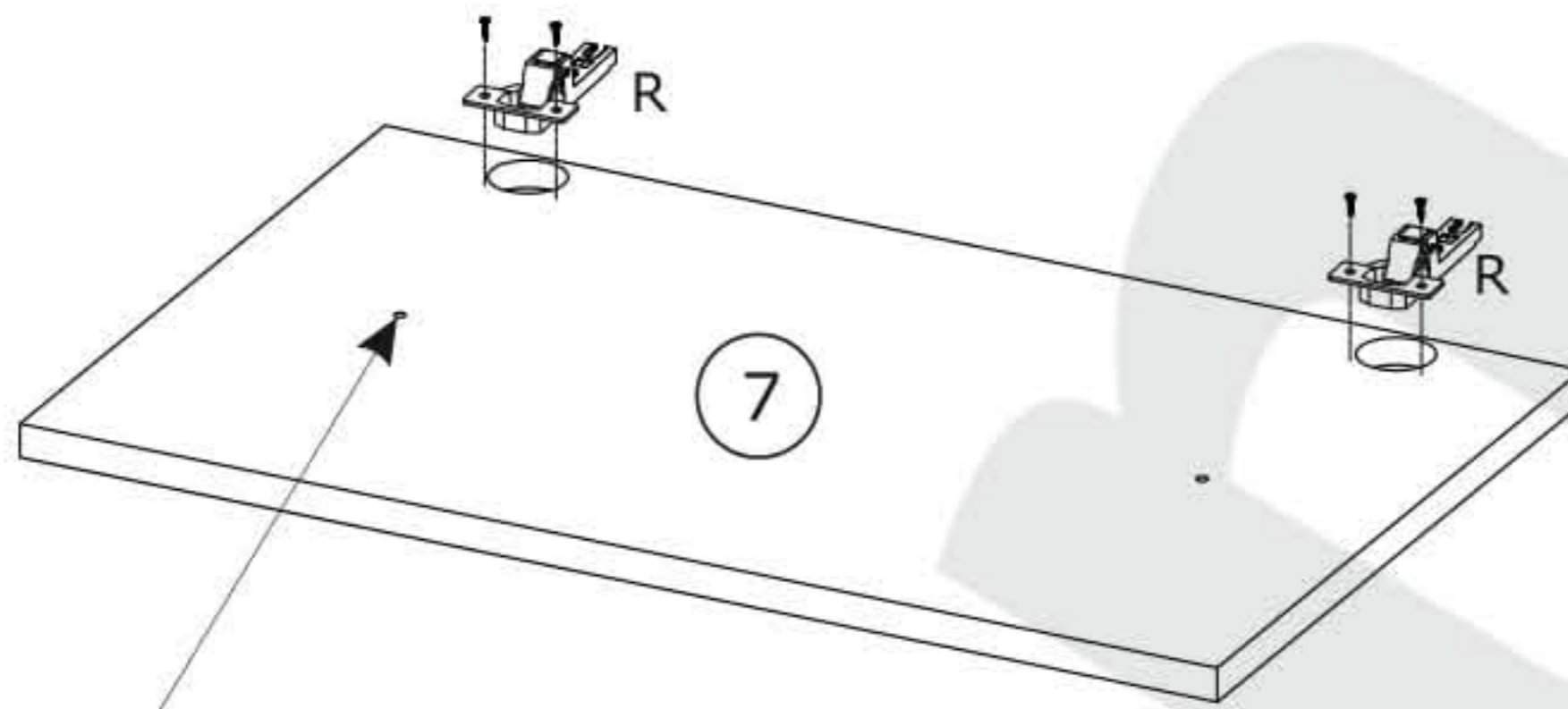
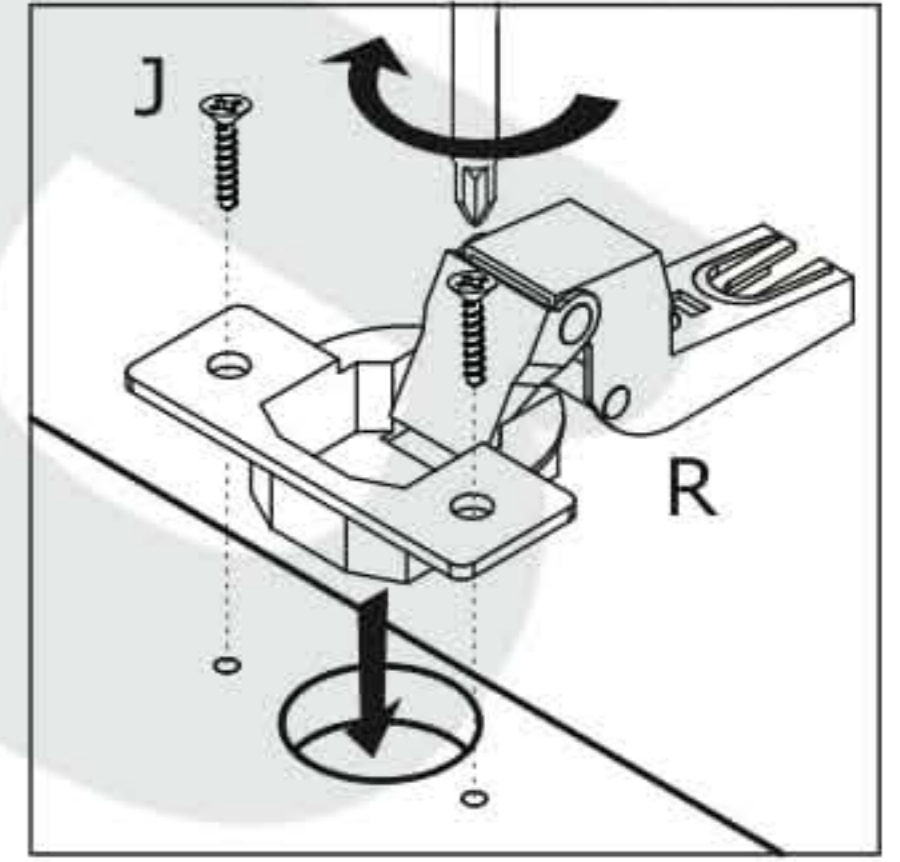
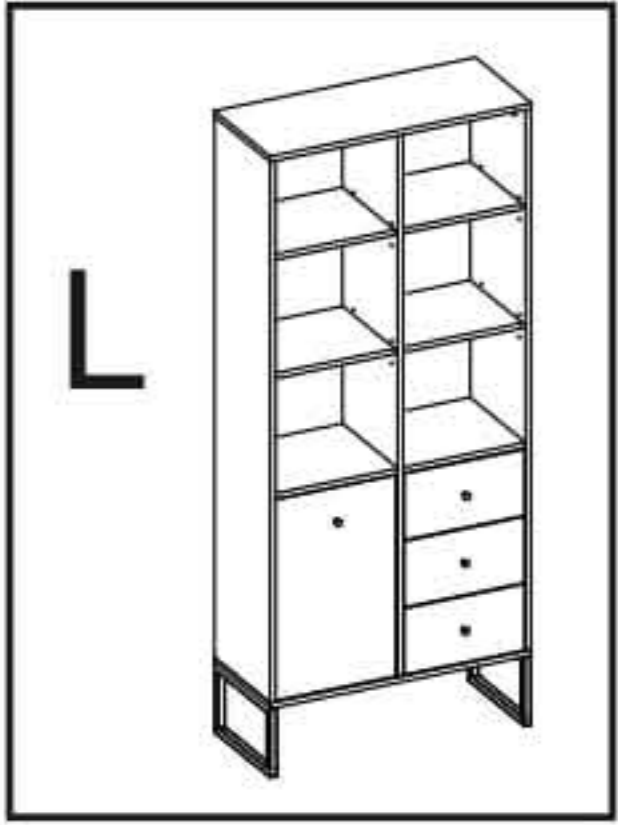
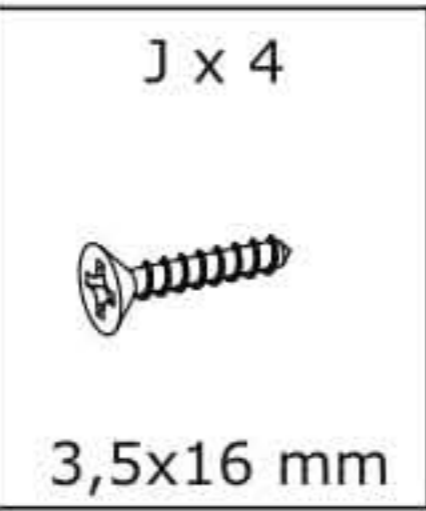
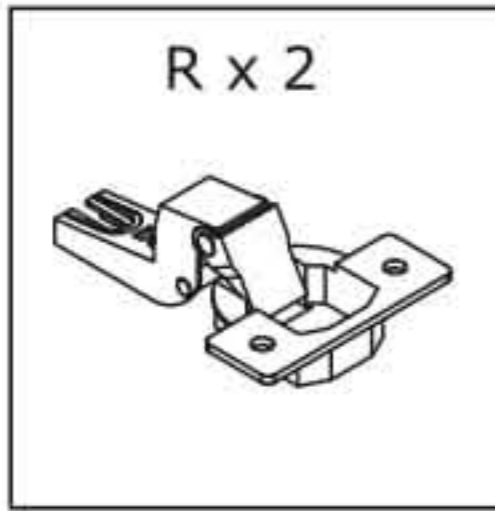


21

Q x 6  
4x9 mm



22



23

