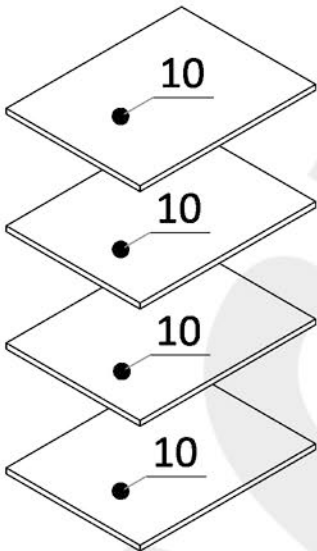



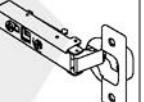




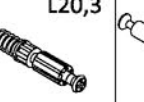
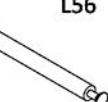








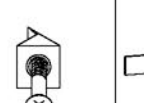
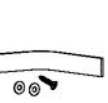
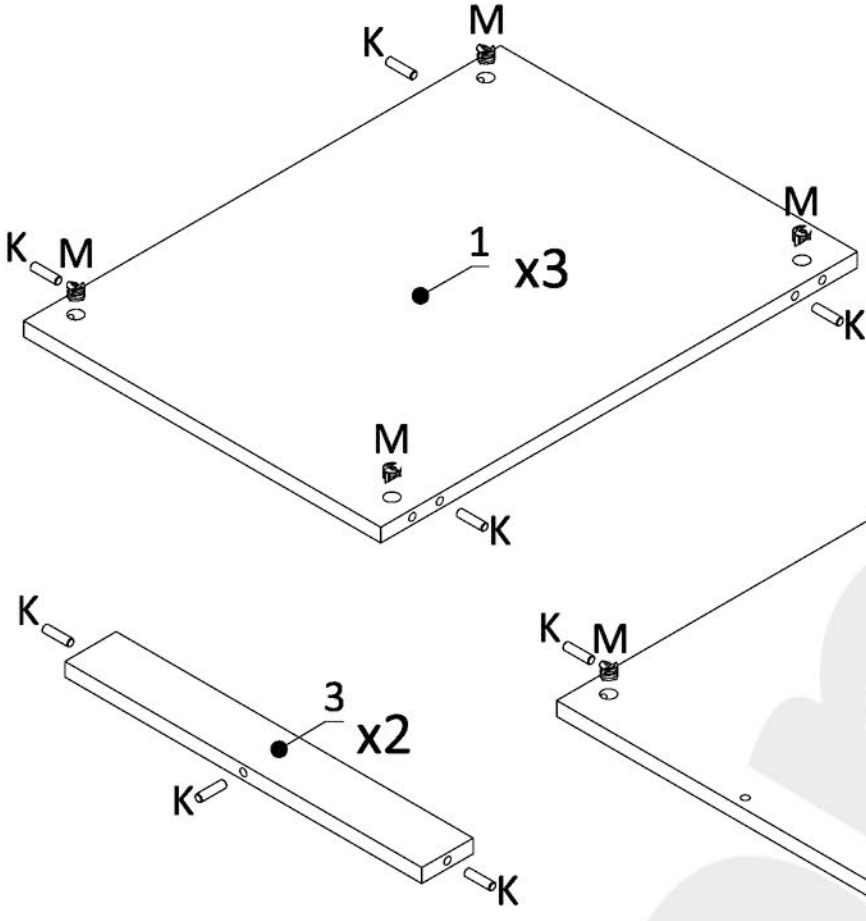




Option B

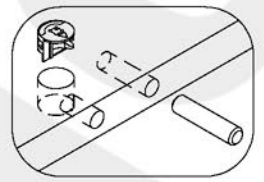


									
U 1x	W1 2x	W4 12x	Z1 4x	PZ 4x	K 22x	K2 6x	M 24x	T 16x	T2 4x
									
D 1x	R 2x	O 2x	P 16x	SL 4x	Z5 8x	ZM 24x	G 20x	S 8x	PS 1x

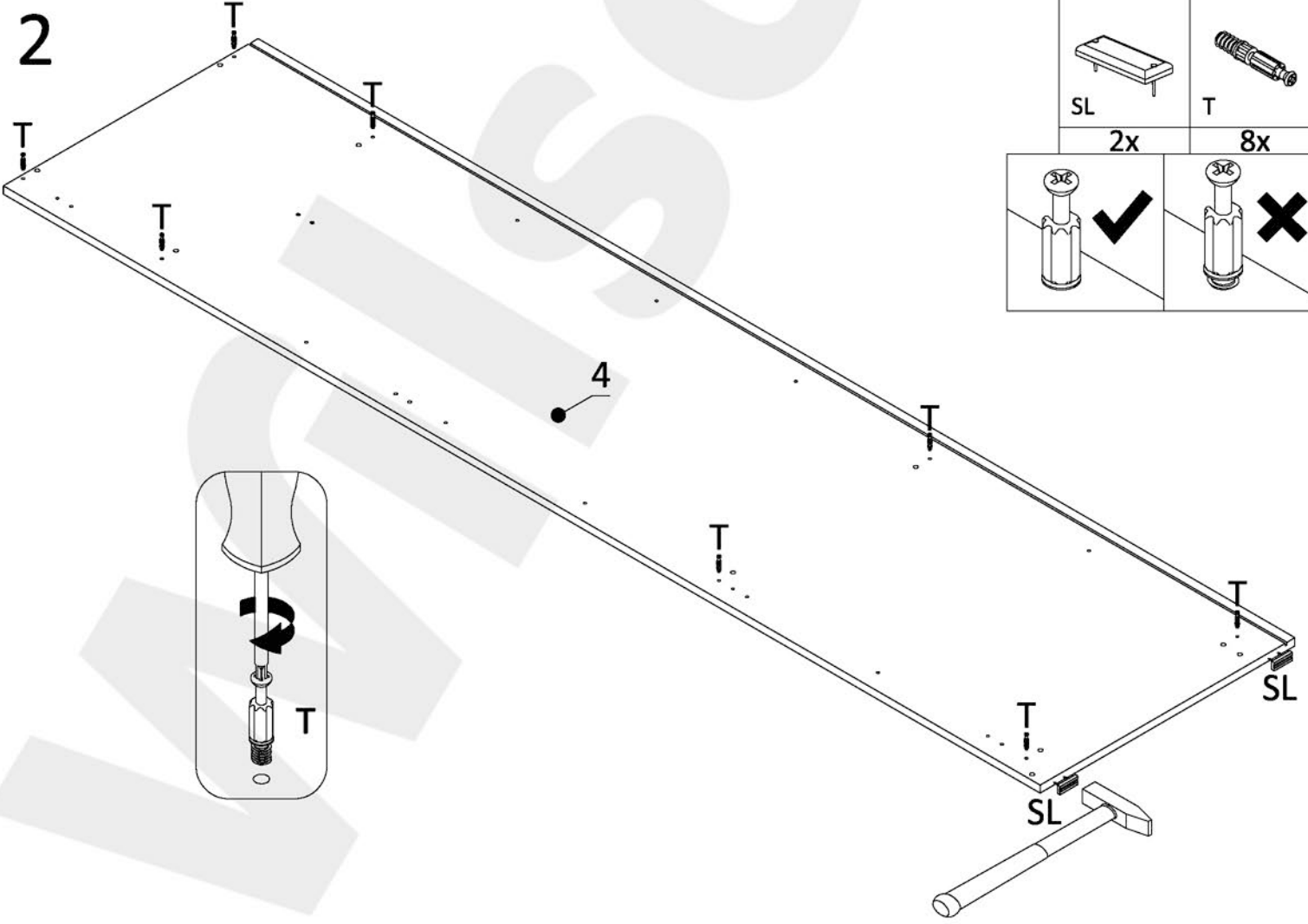
1





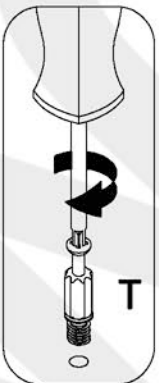
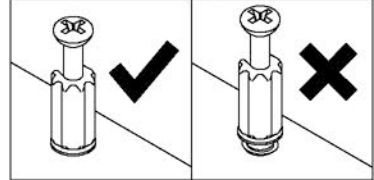
	
K	M
22x	16x



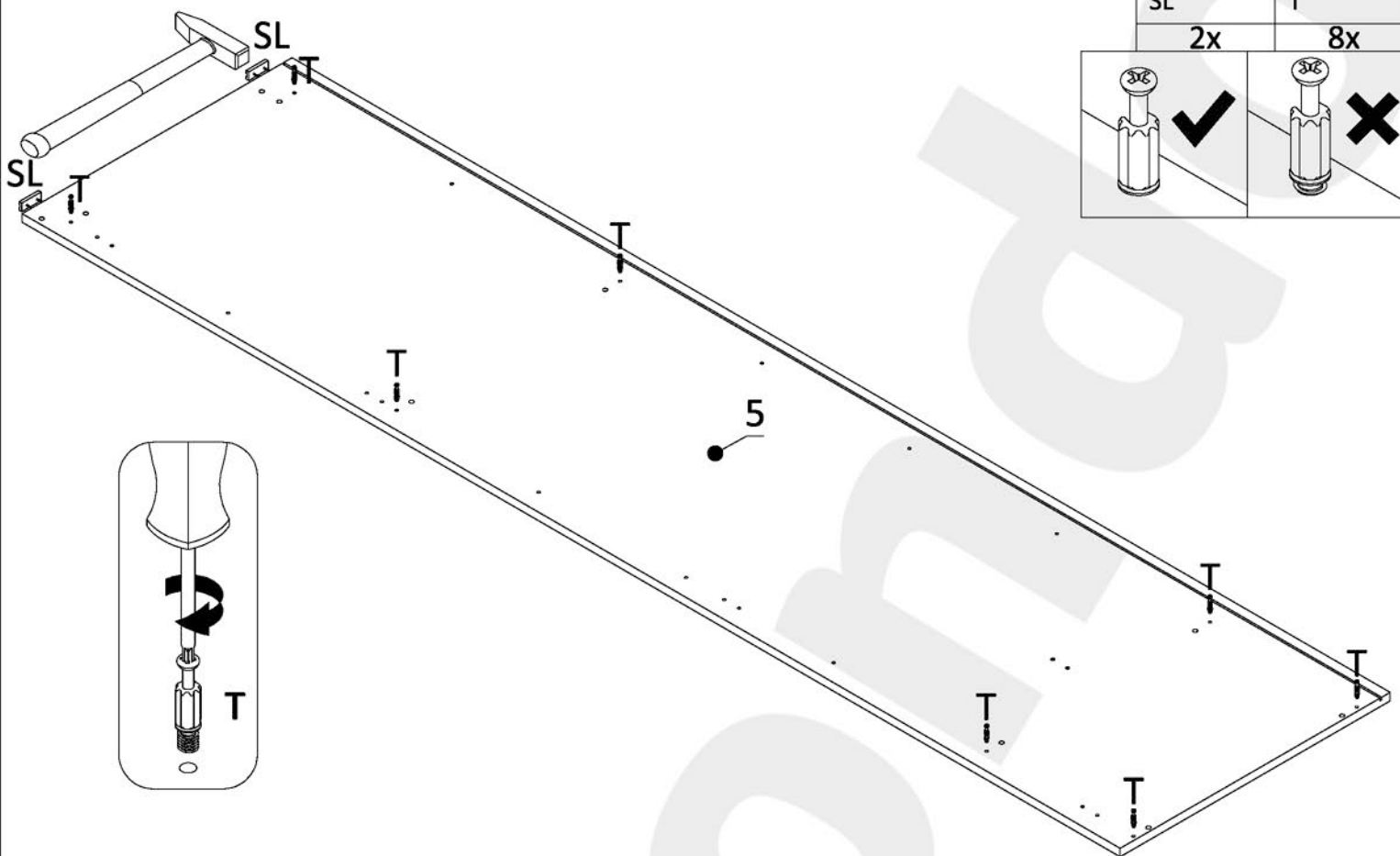
2







	
SL	T
2x	8x

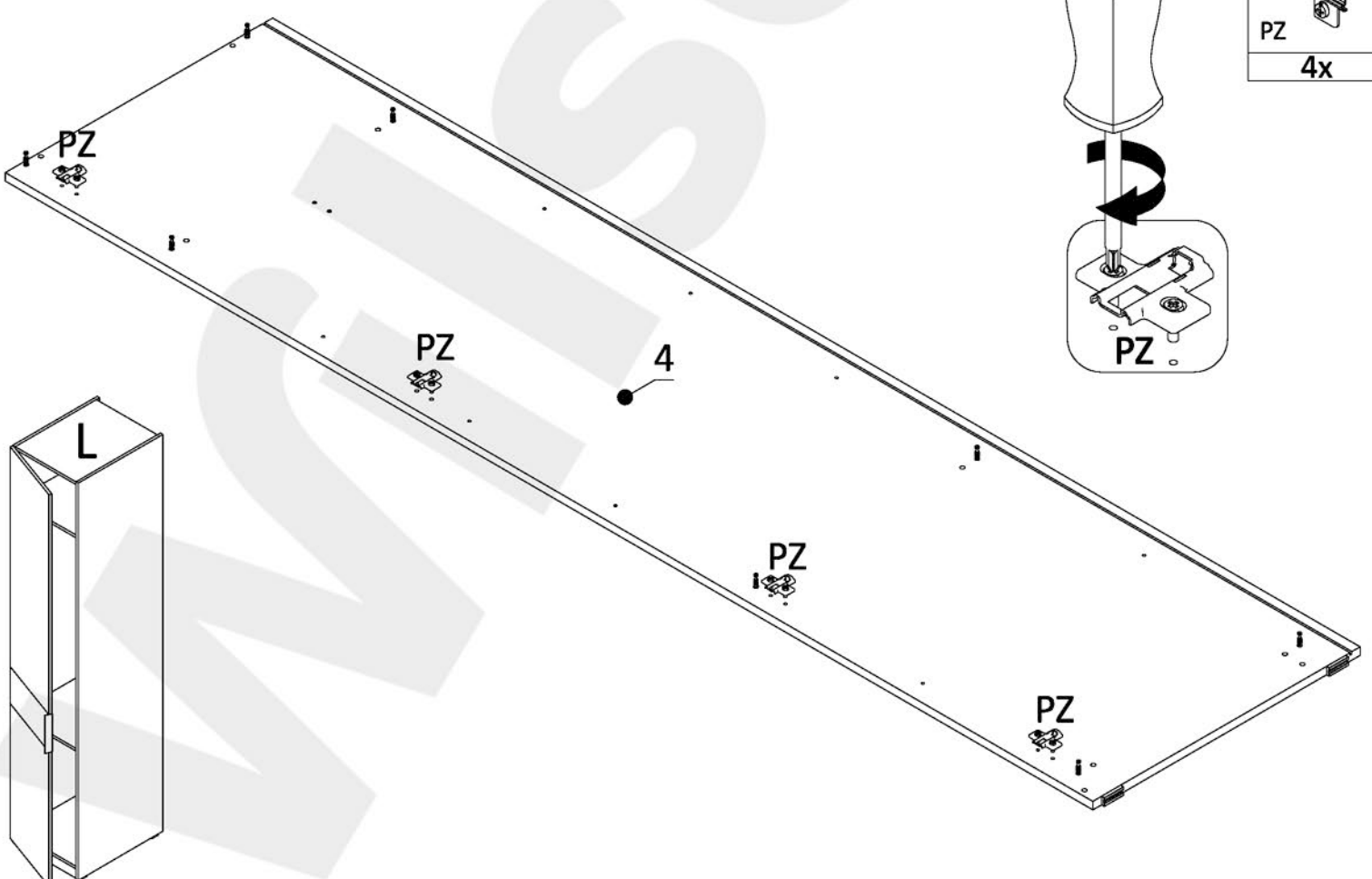



3



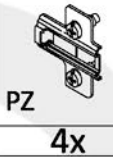
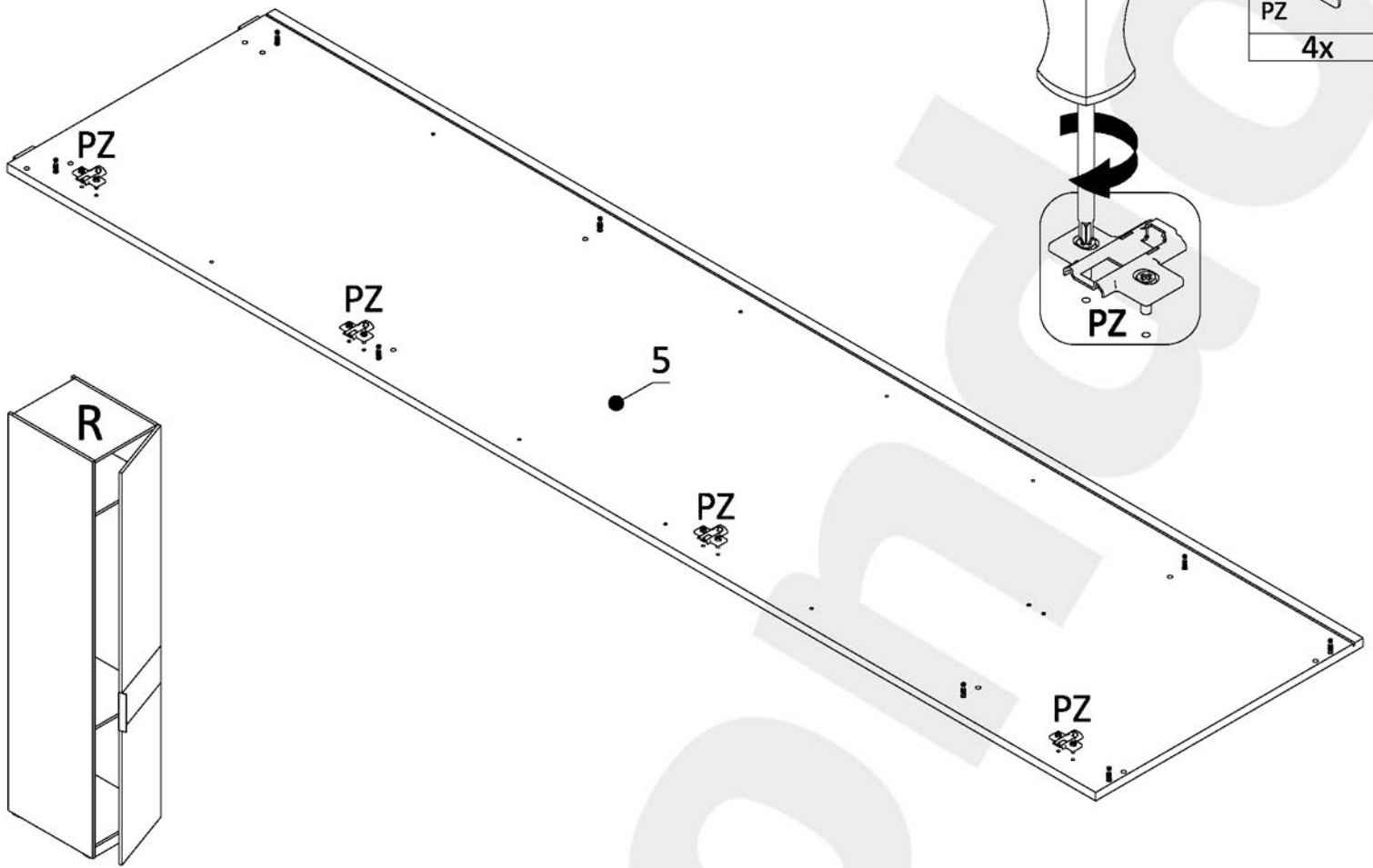
 SL	 T
2x	8x
 ✓	 ✗

4 Option L

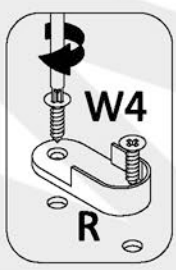
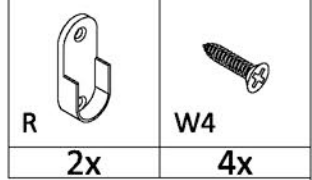
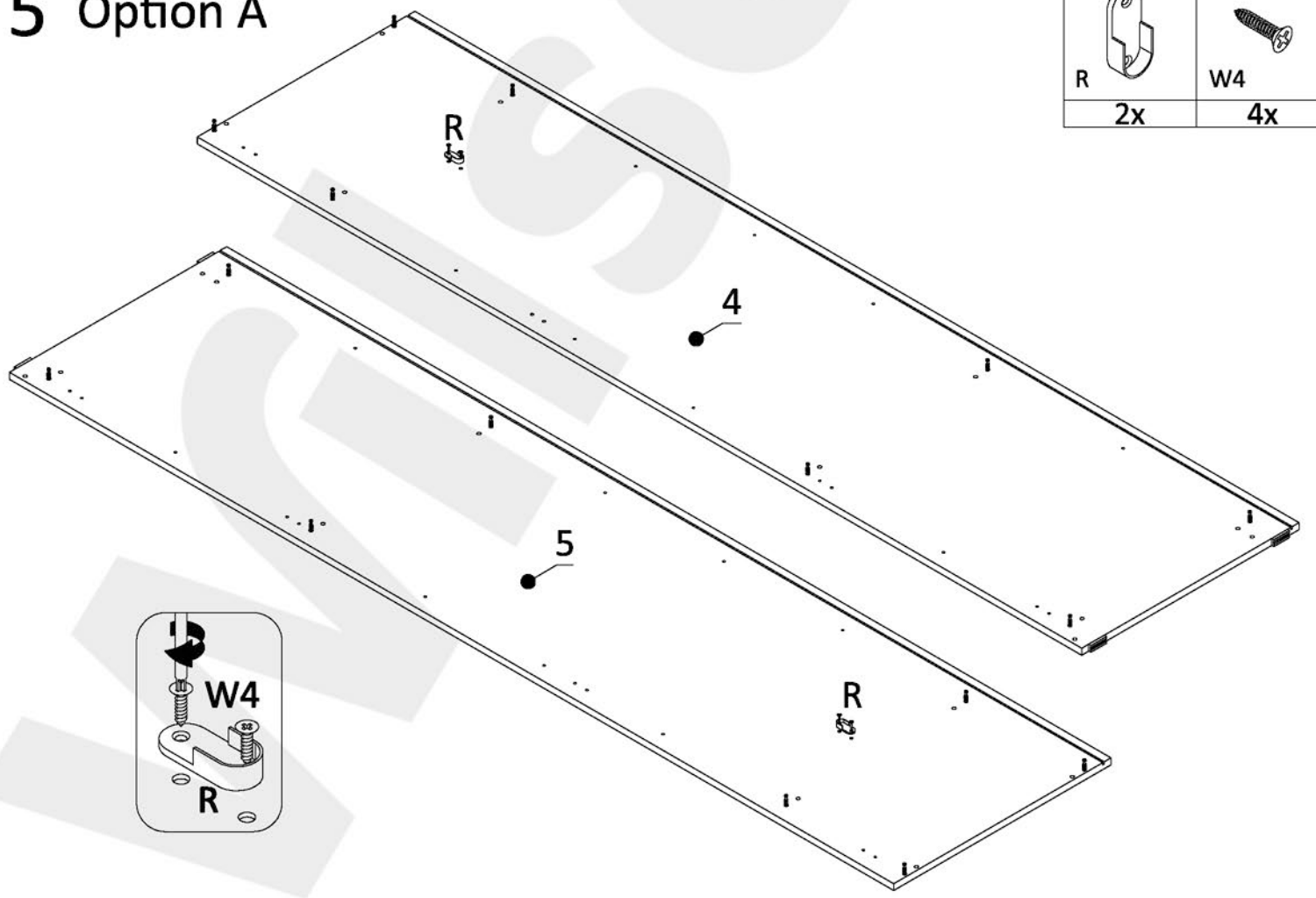


 PZ
4x

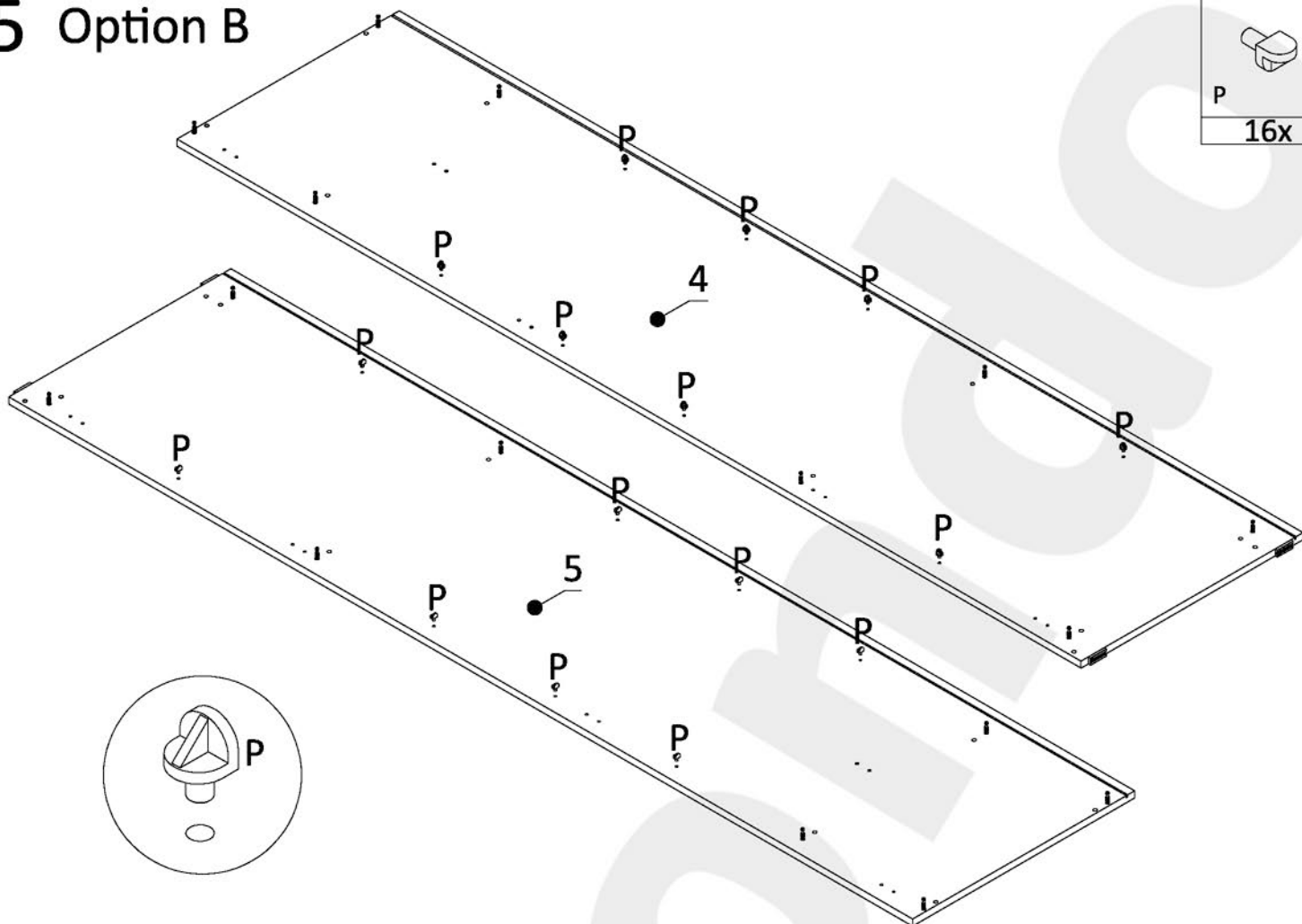
4 Option R



5 Option A

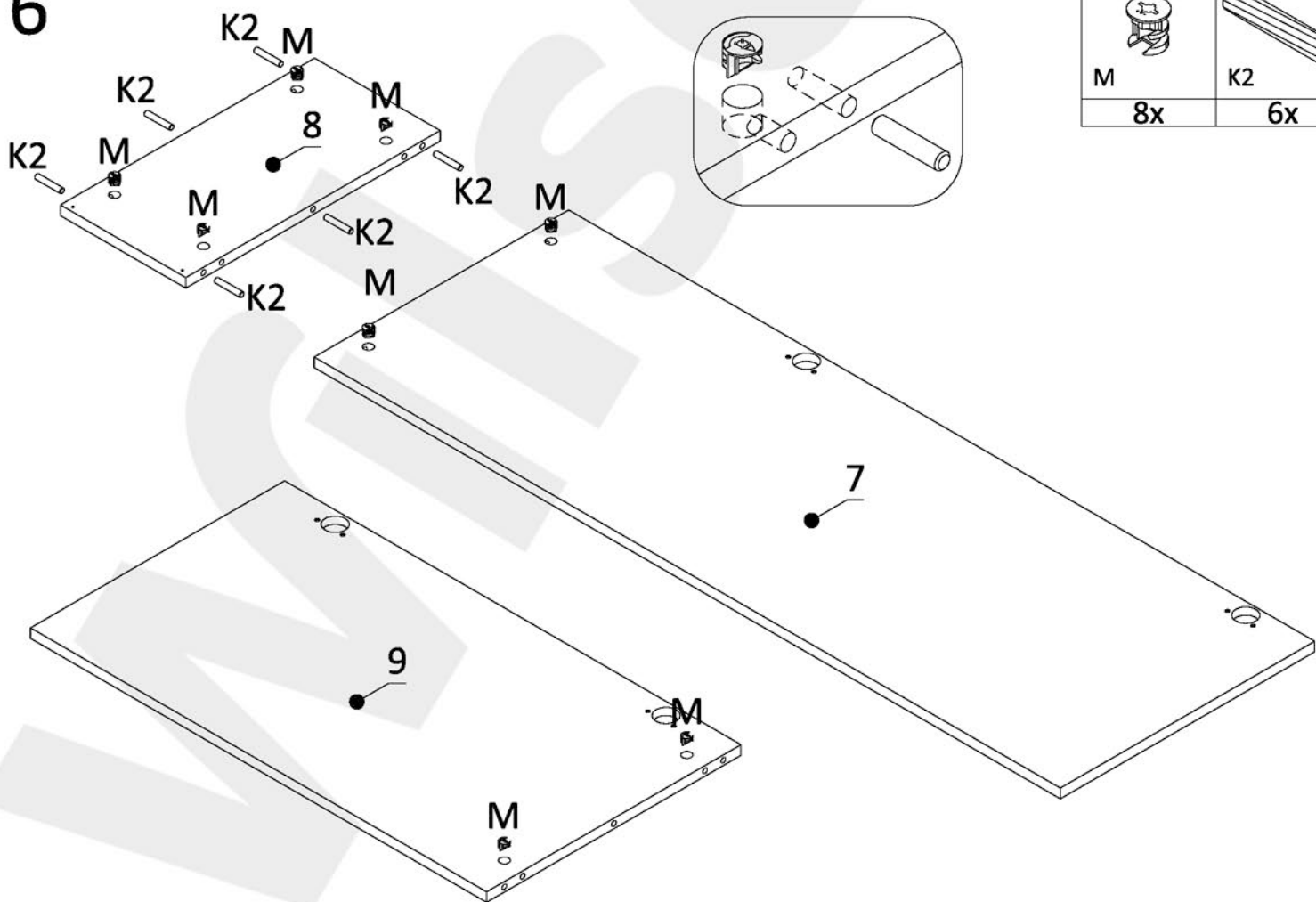




5 Option B



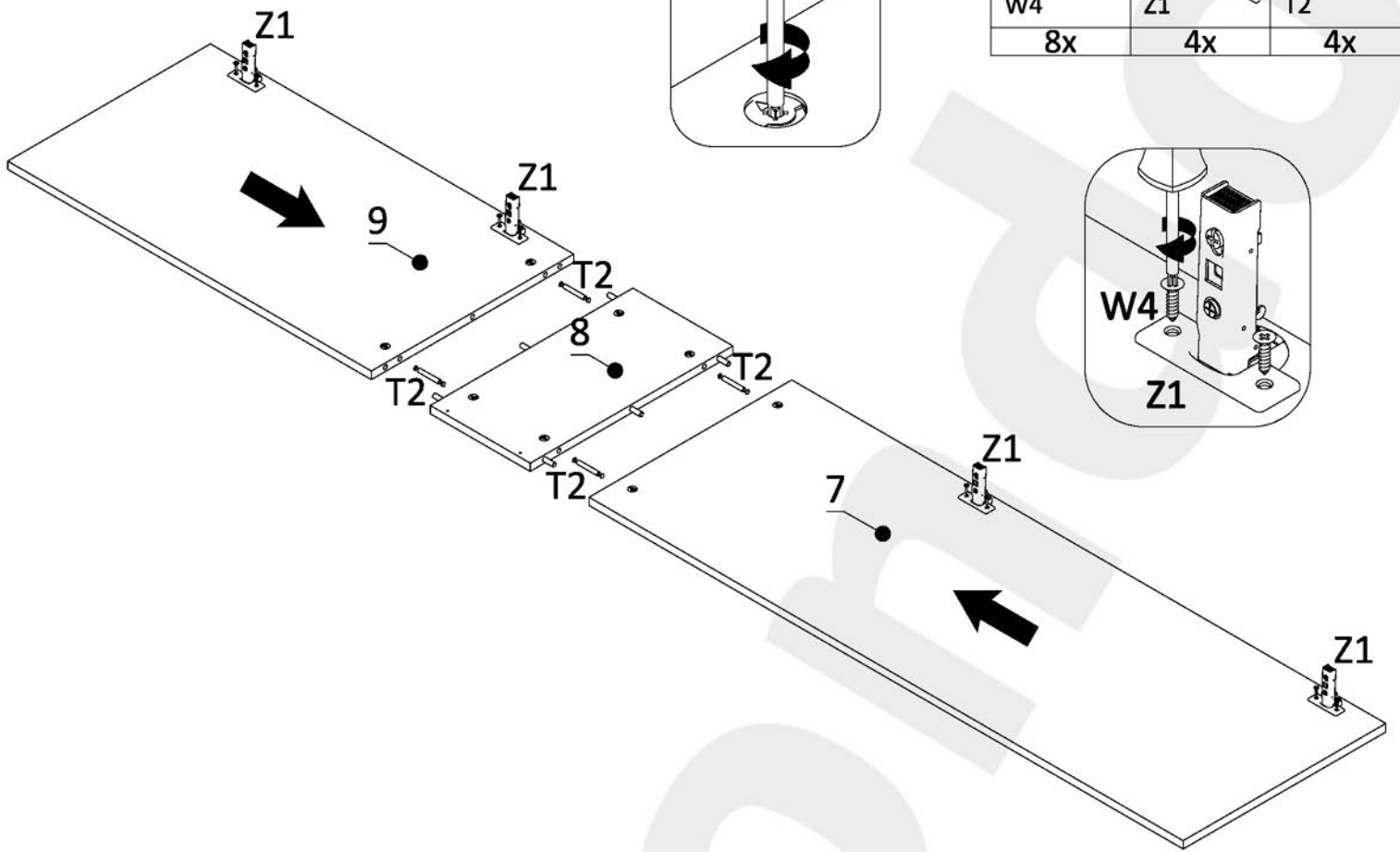
P
16x

6

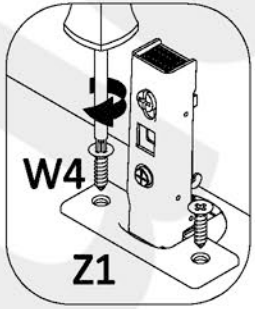


	
M	K2
8x	6x

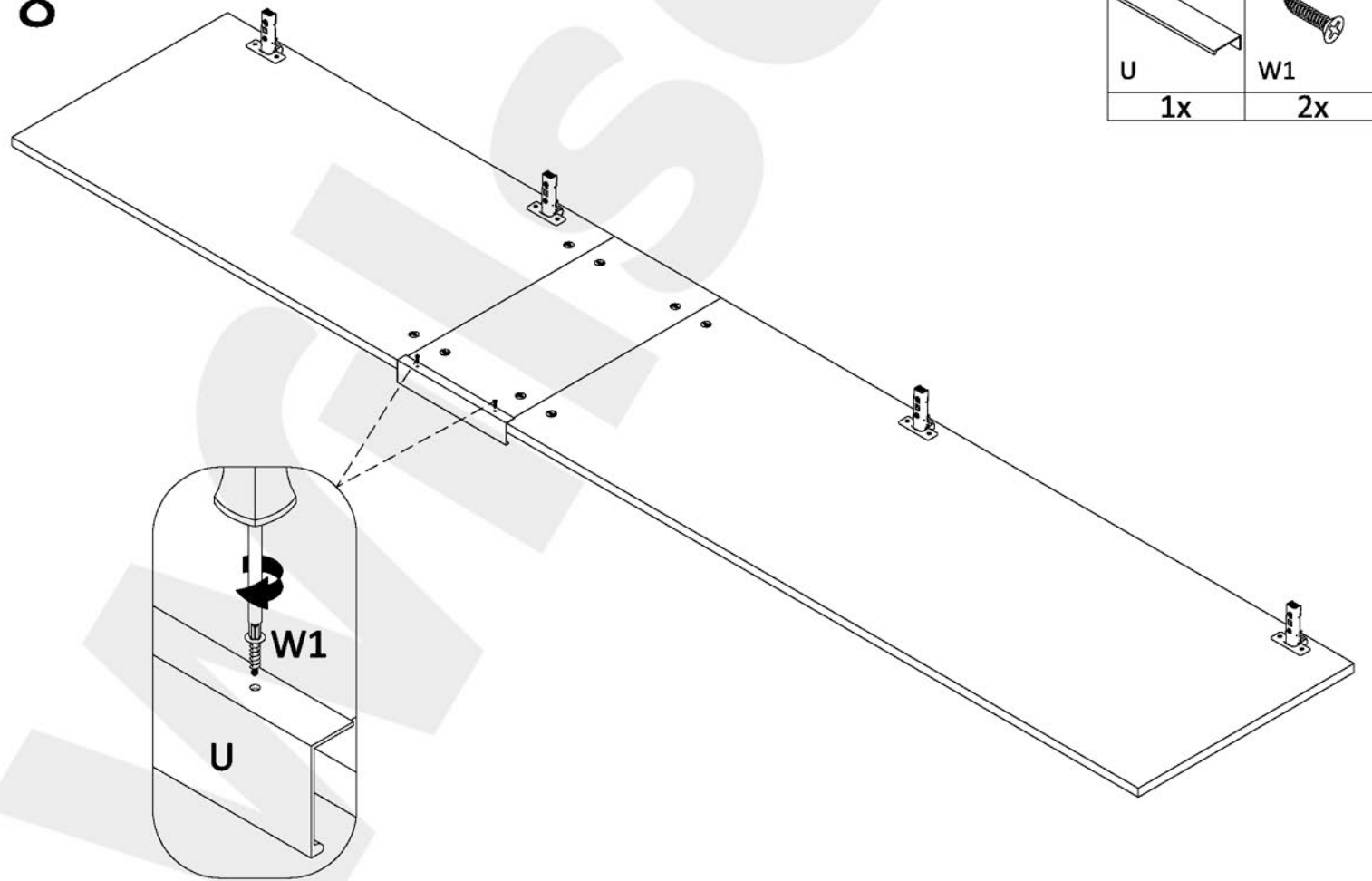
7



W4	Z1	T2
8x	4x	4x

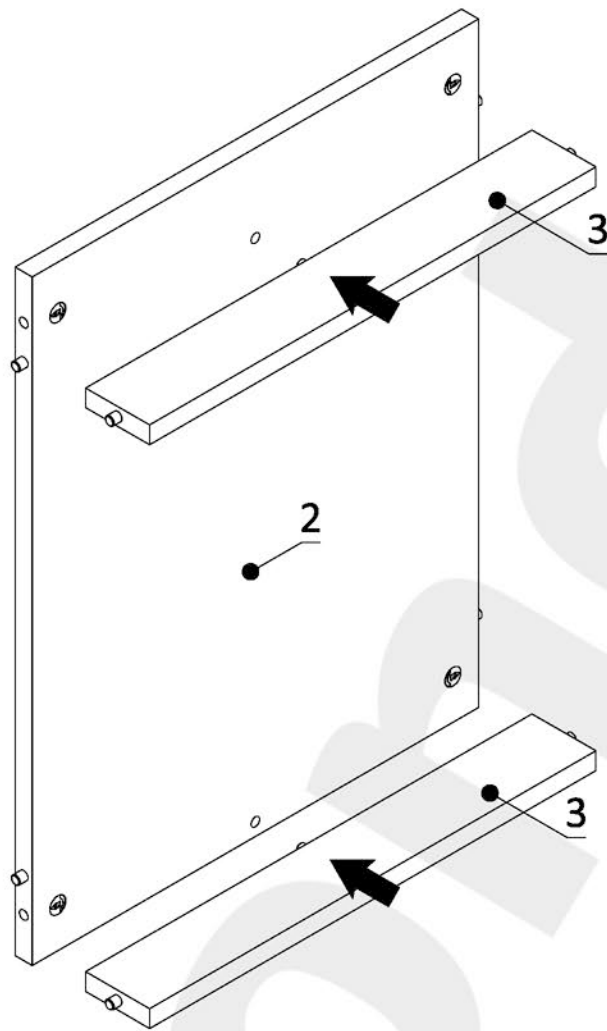


8

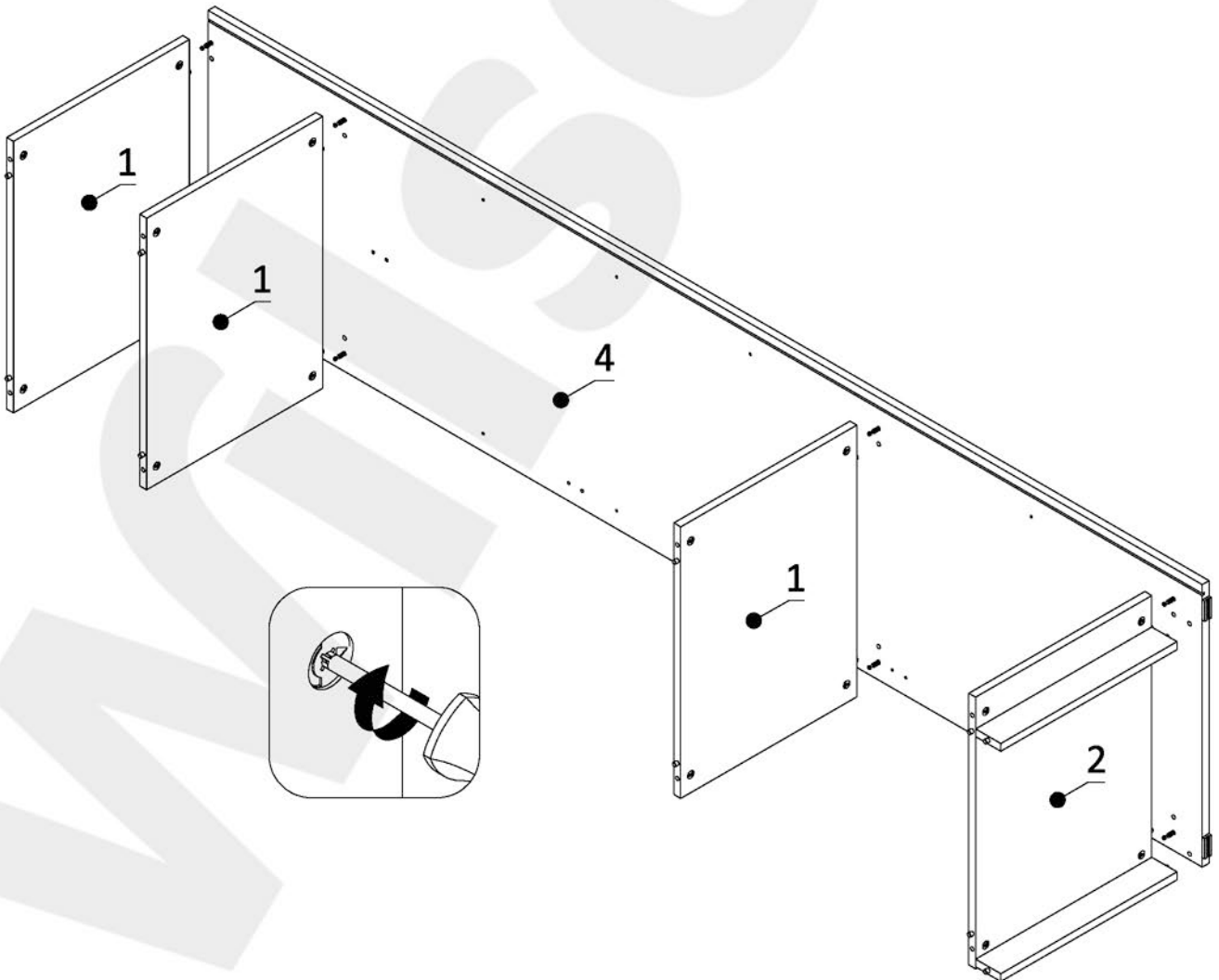


U	W1
1x	2x

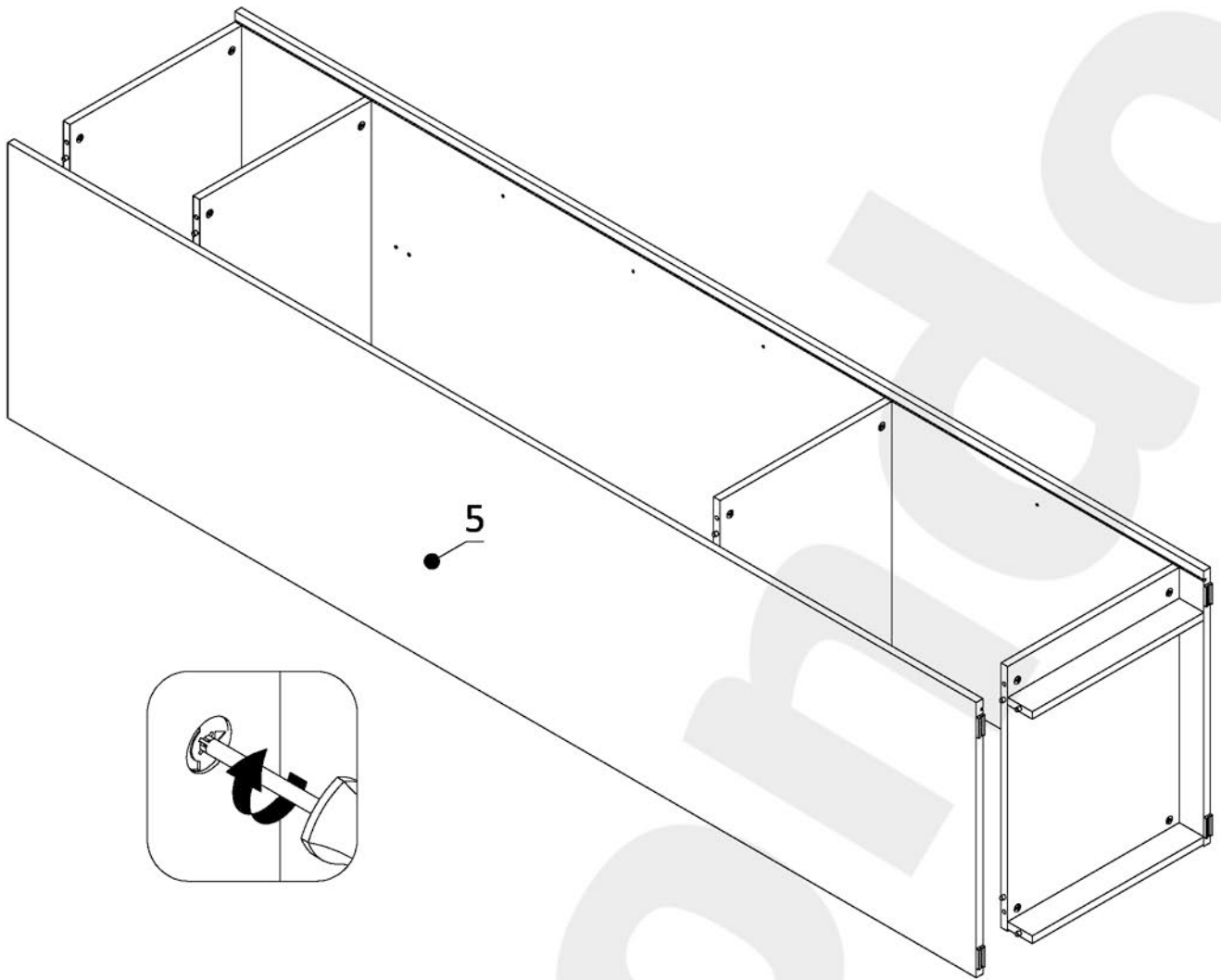
9



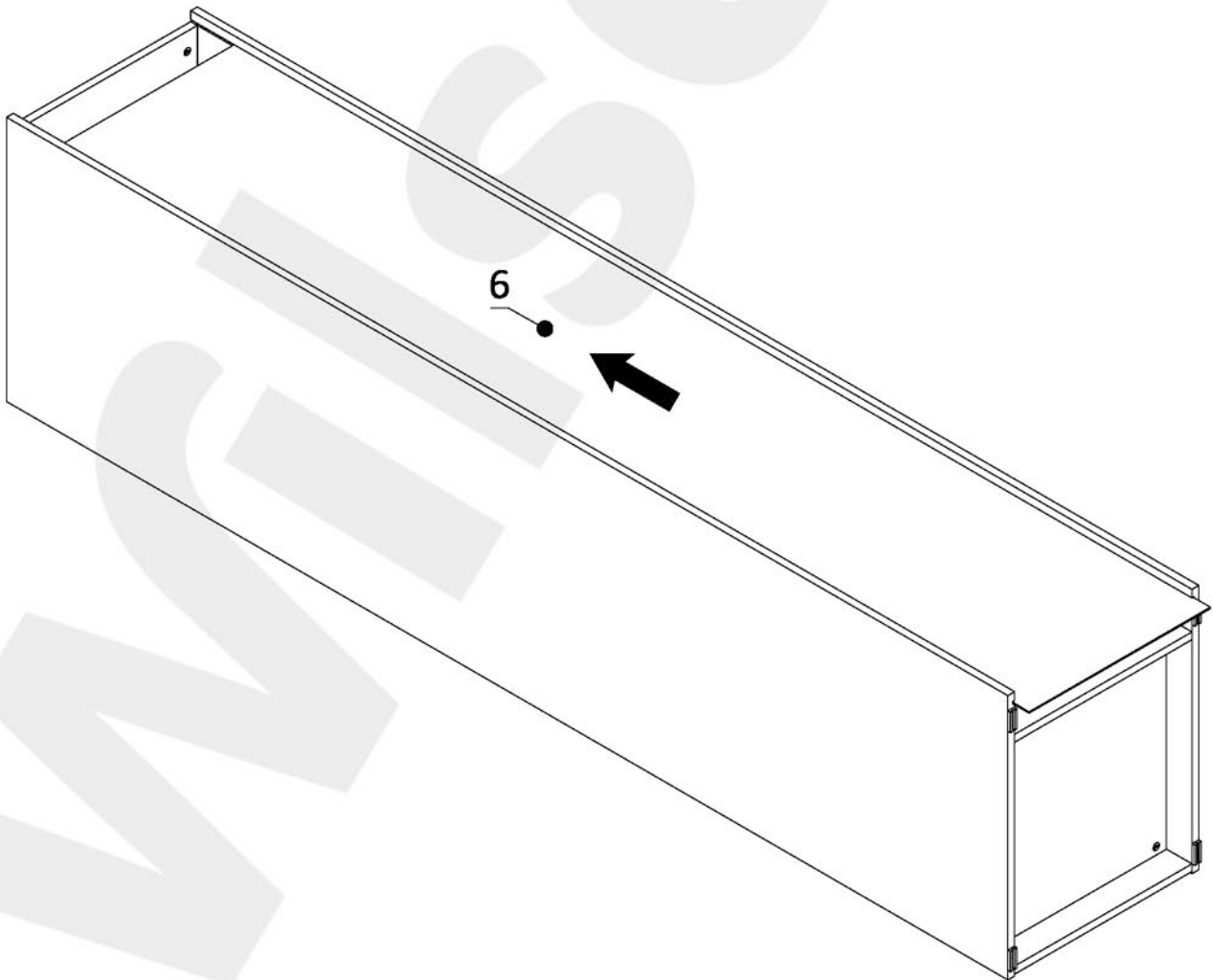
10



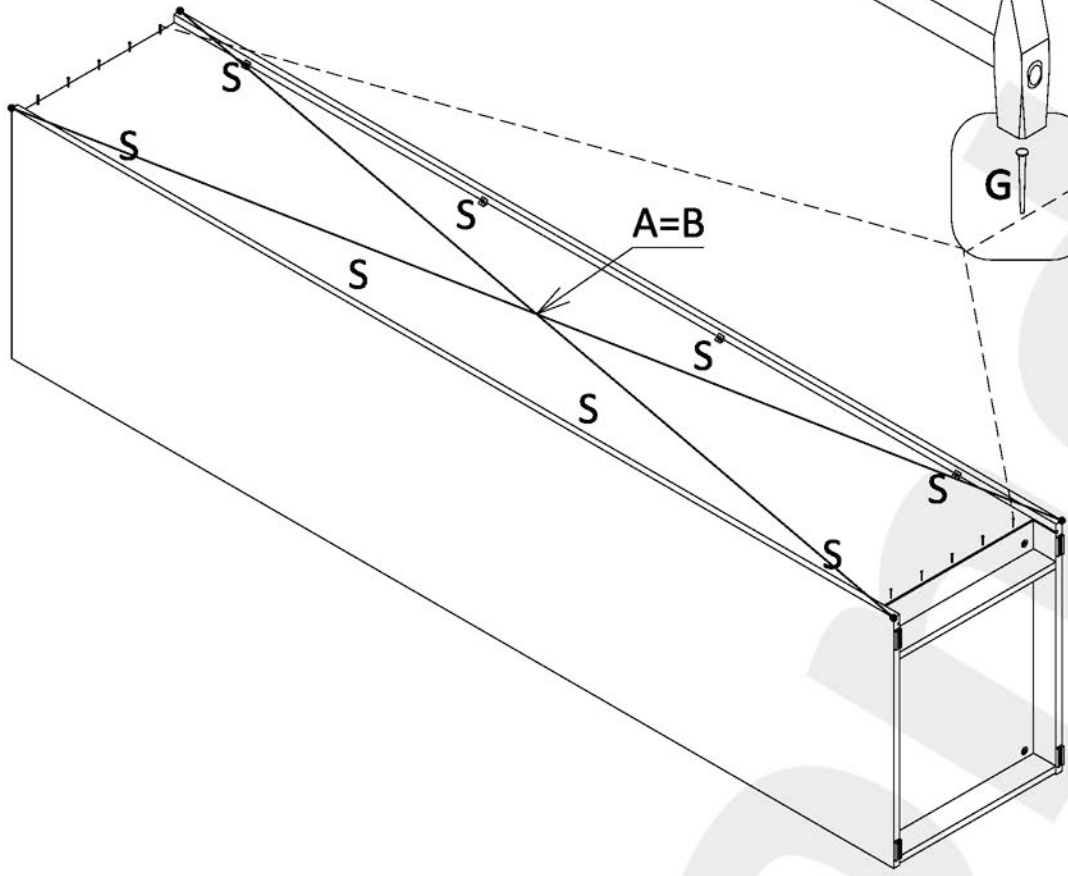
11



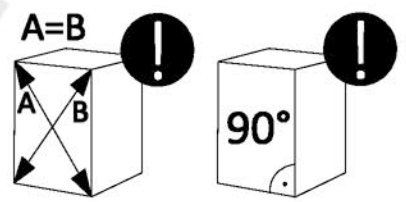
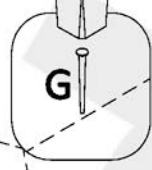
12



13

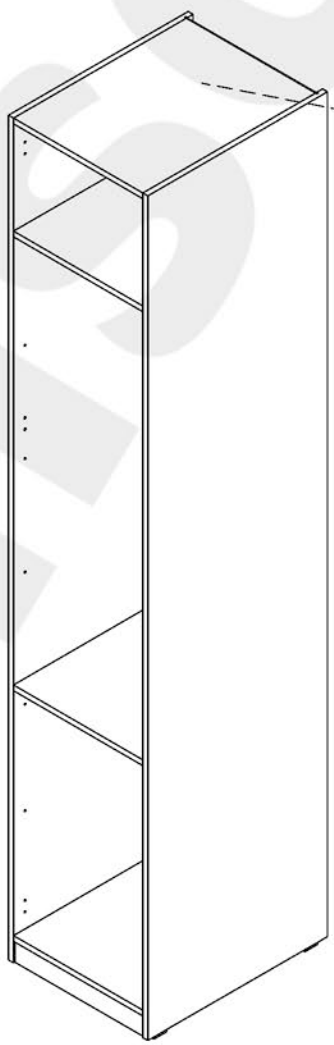


S	G
8x	20x

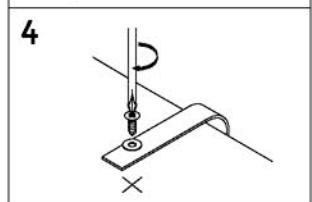
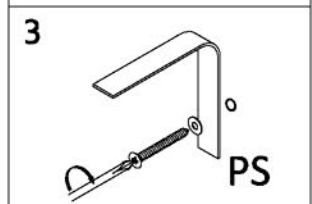
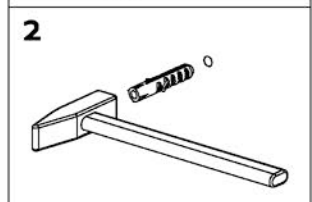
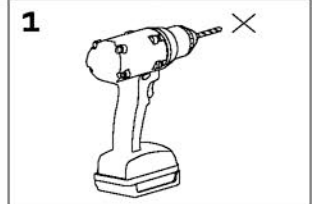


14

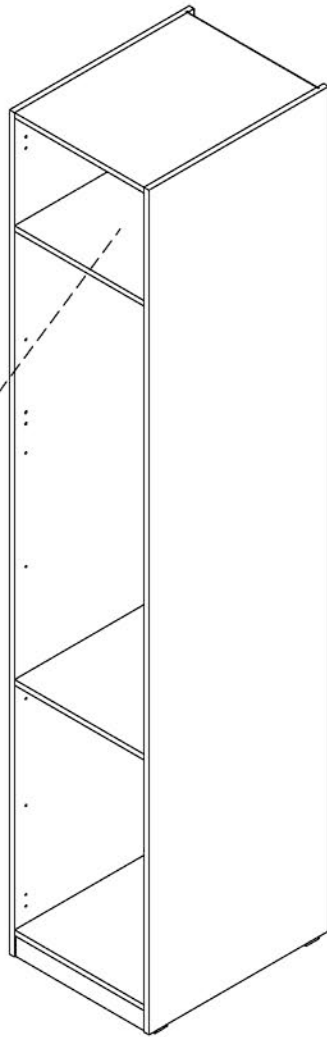
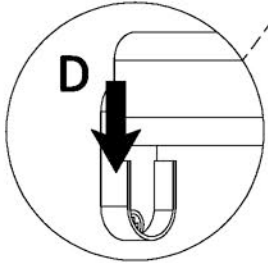
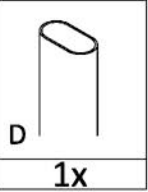
ZM
24x



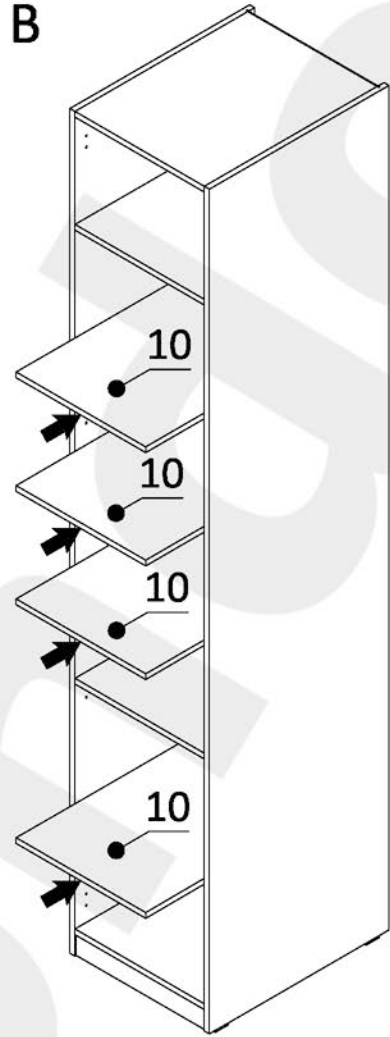
	PS
	1x



15 Option A



Option B



16

