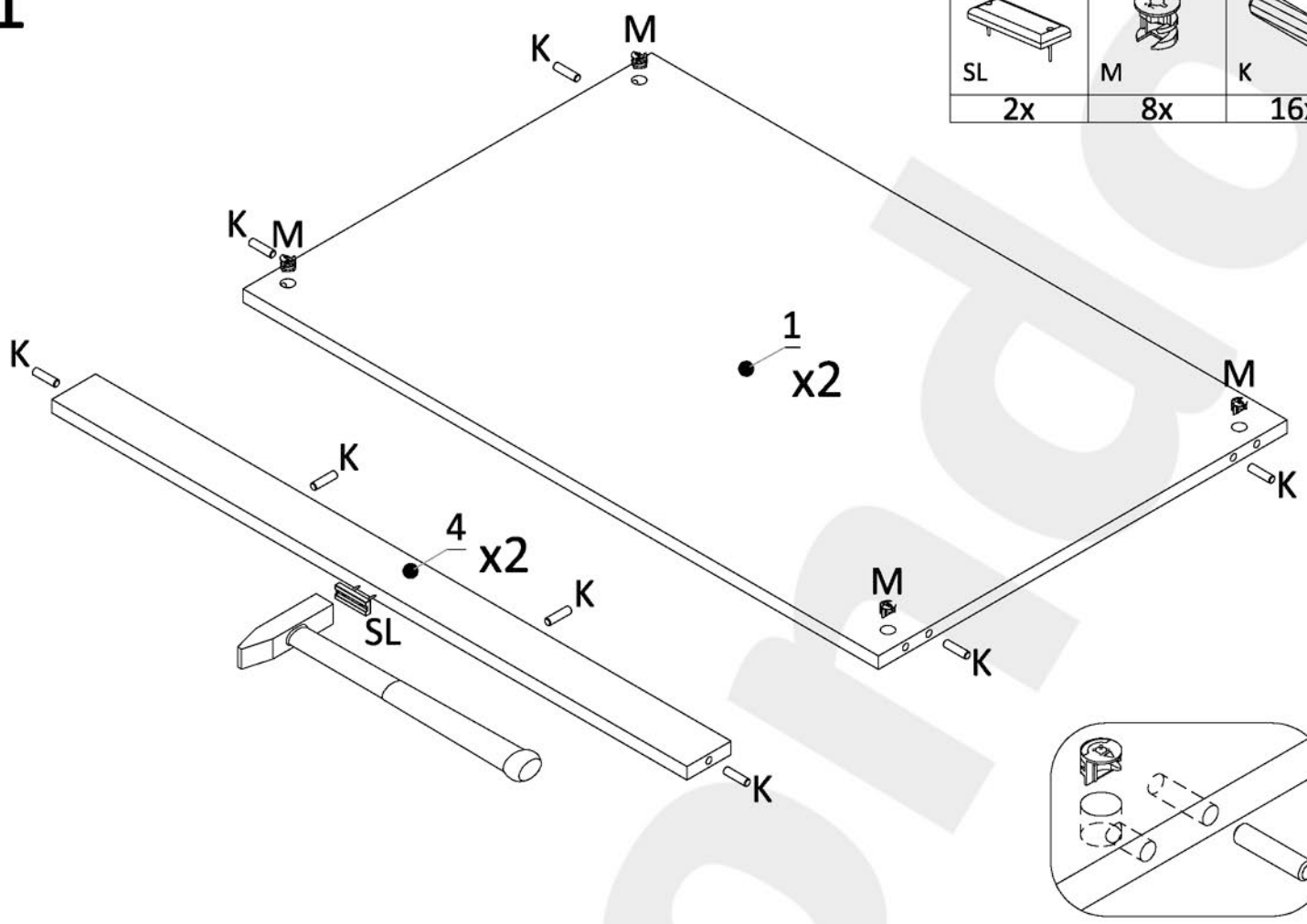
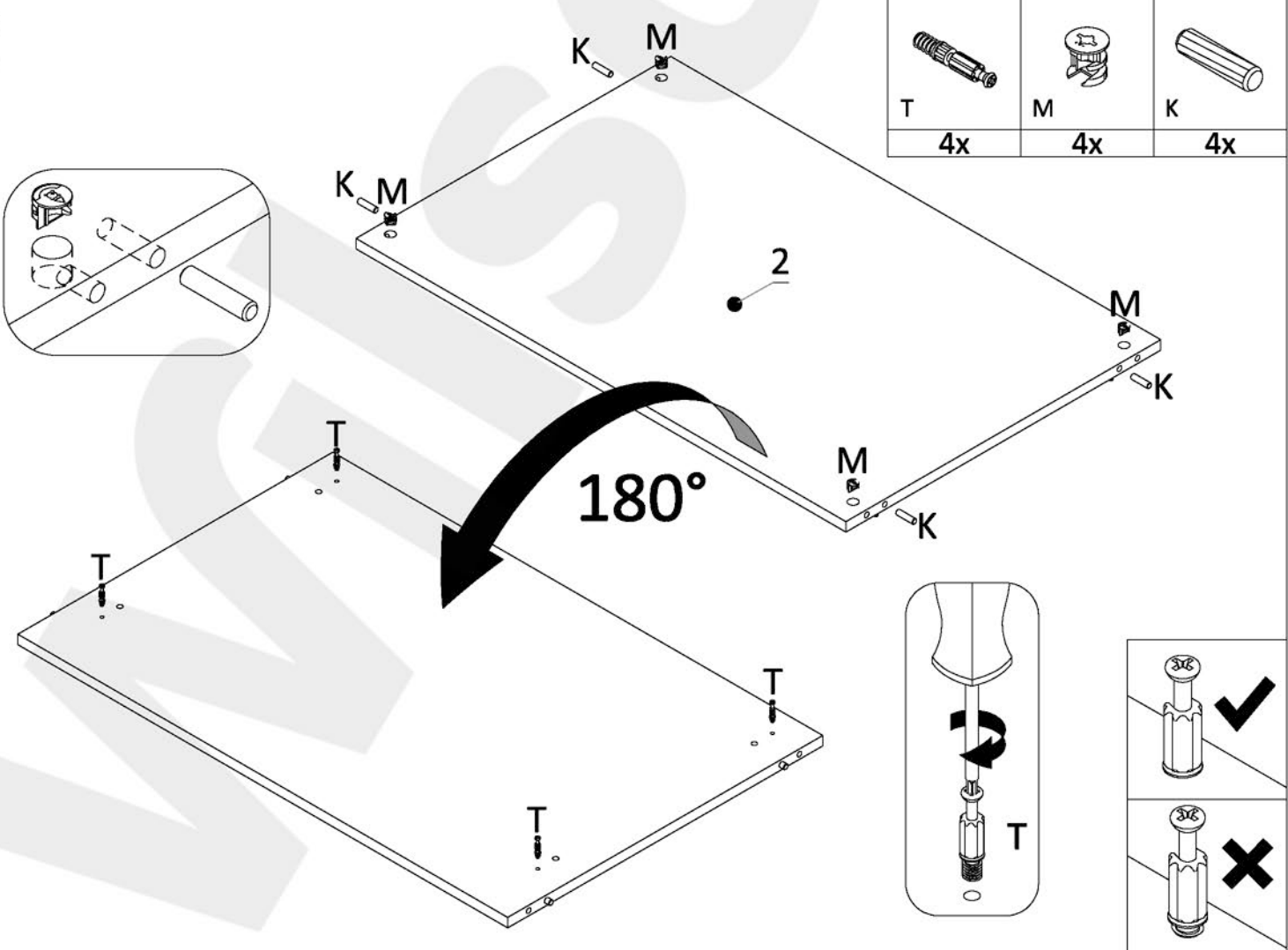


M 15/12	T L20,3	T2 L56							
52x	36x	8x	3x PK-0H35-400						
WS L400	U	KF 7x50	E1 5x13	W1 3x13	W4 4x16	Z1	PZ	K 8x30	K2 8x45
3x	1x	6x	24x	8x	20x	8x	8x	50x	12x
KL SW4	K	D	R	ZM	SL	O	G 2x20	S	PS
1x	1x	1x	2x	52x	6x	4x	36x	8x	1x

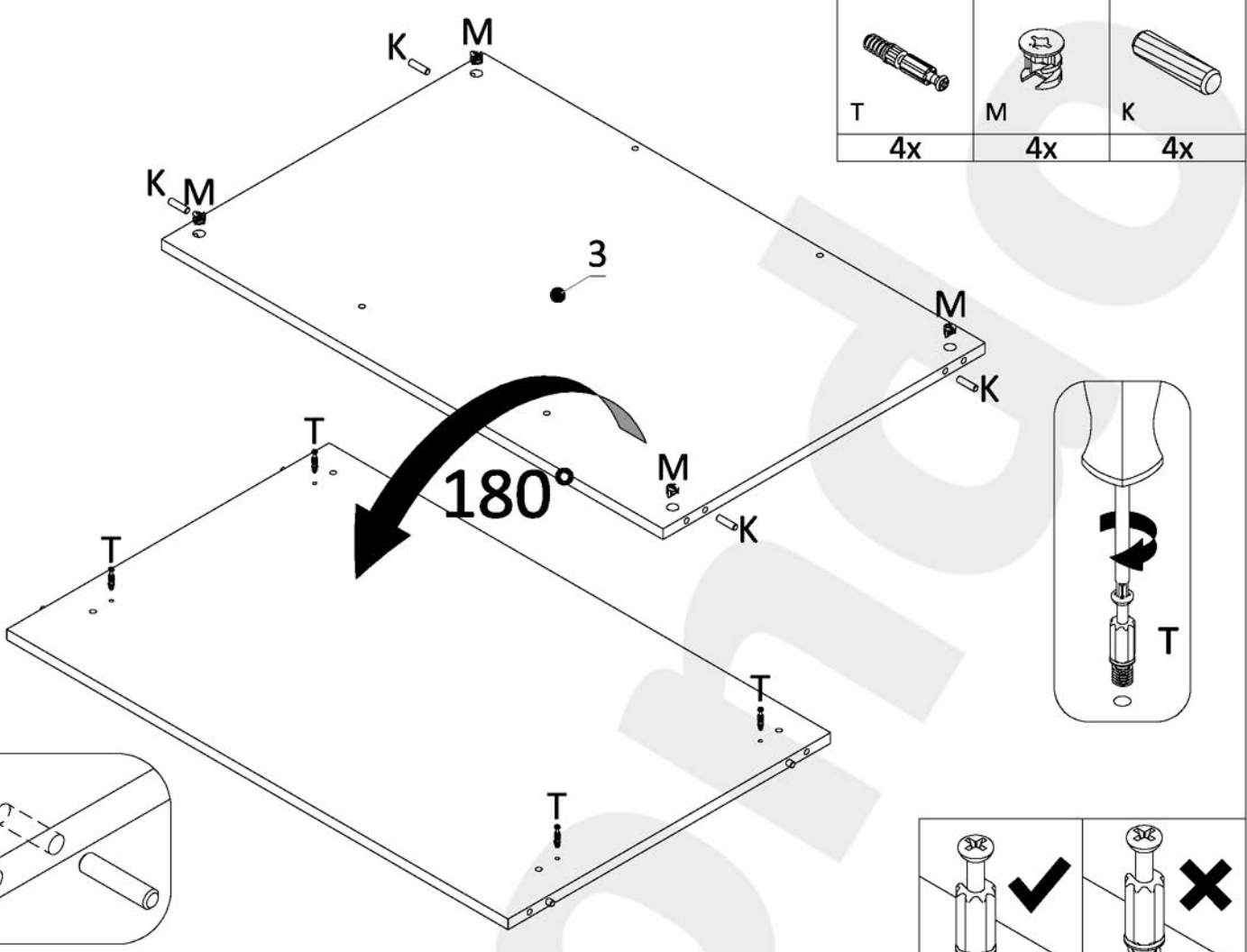
1



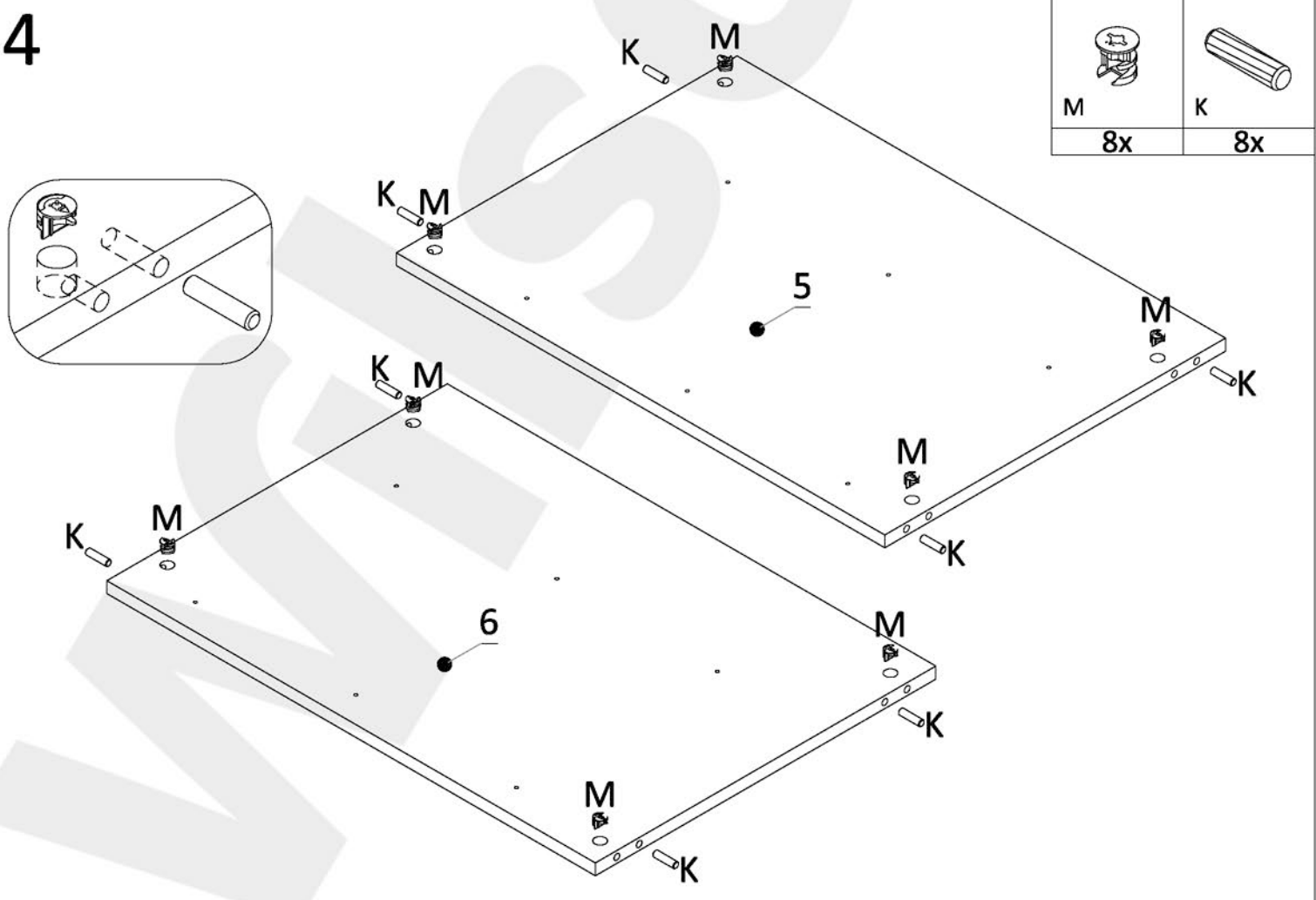
2



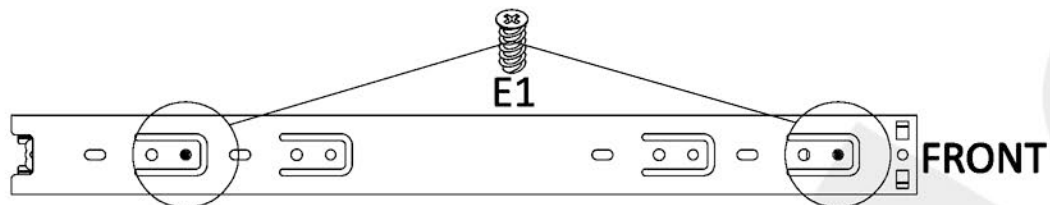
3



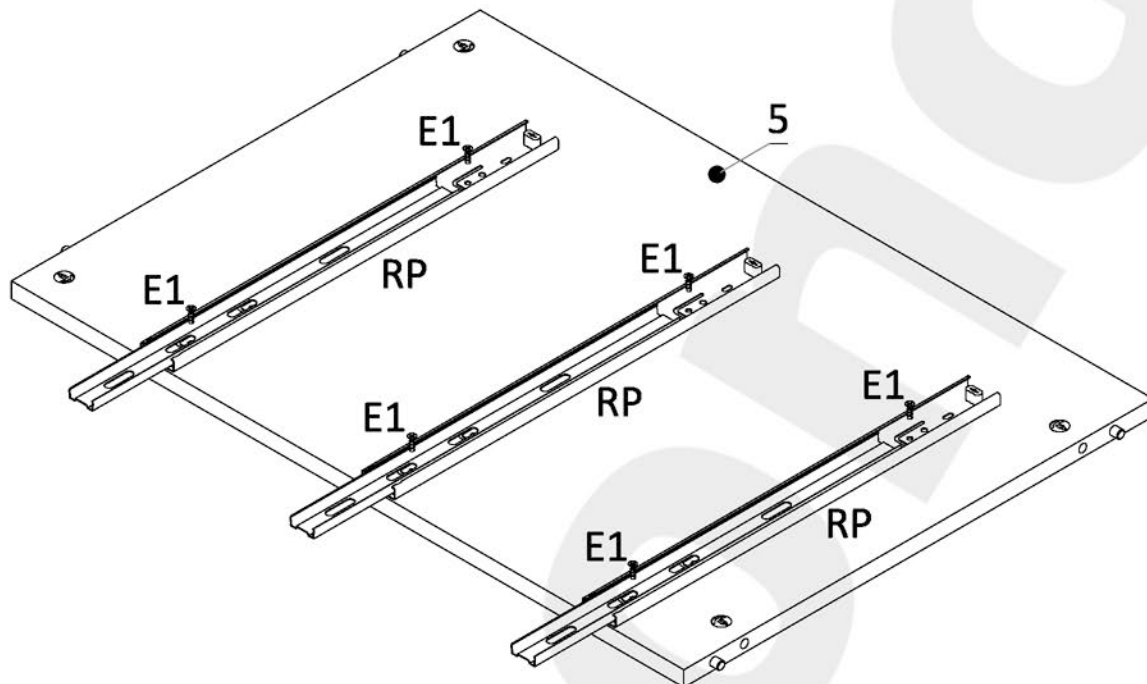
4



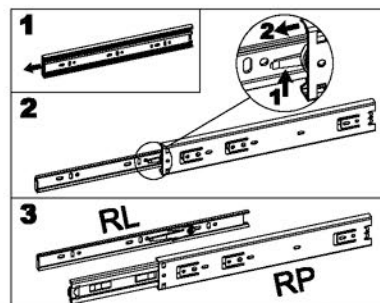
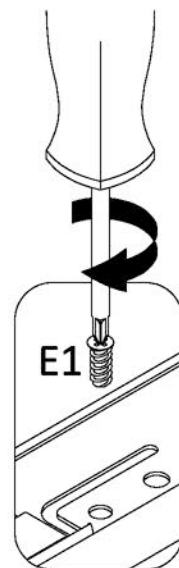
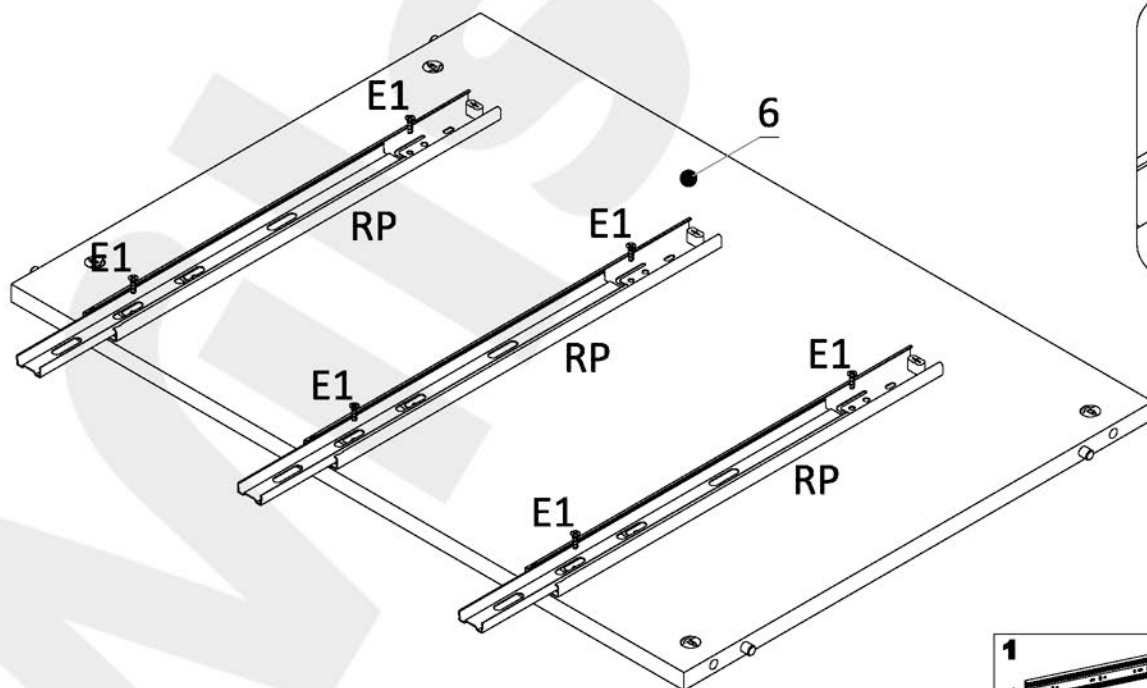
5








E1  
12x

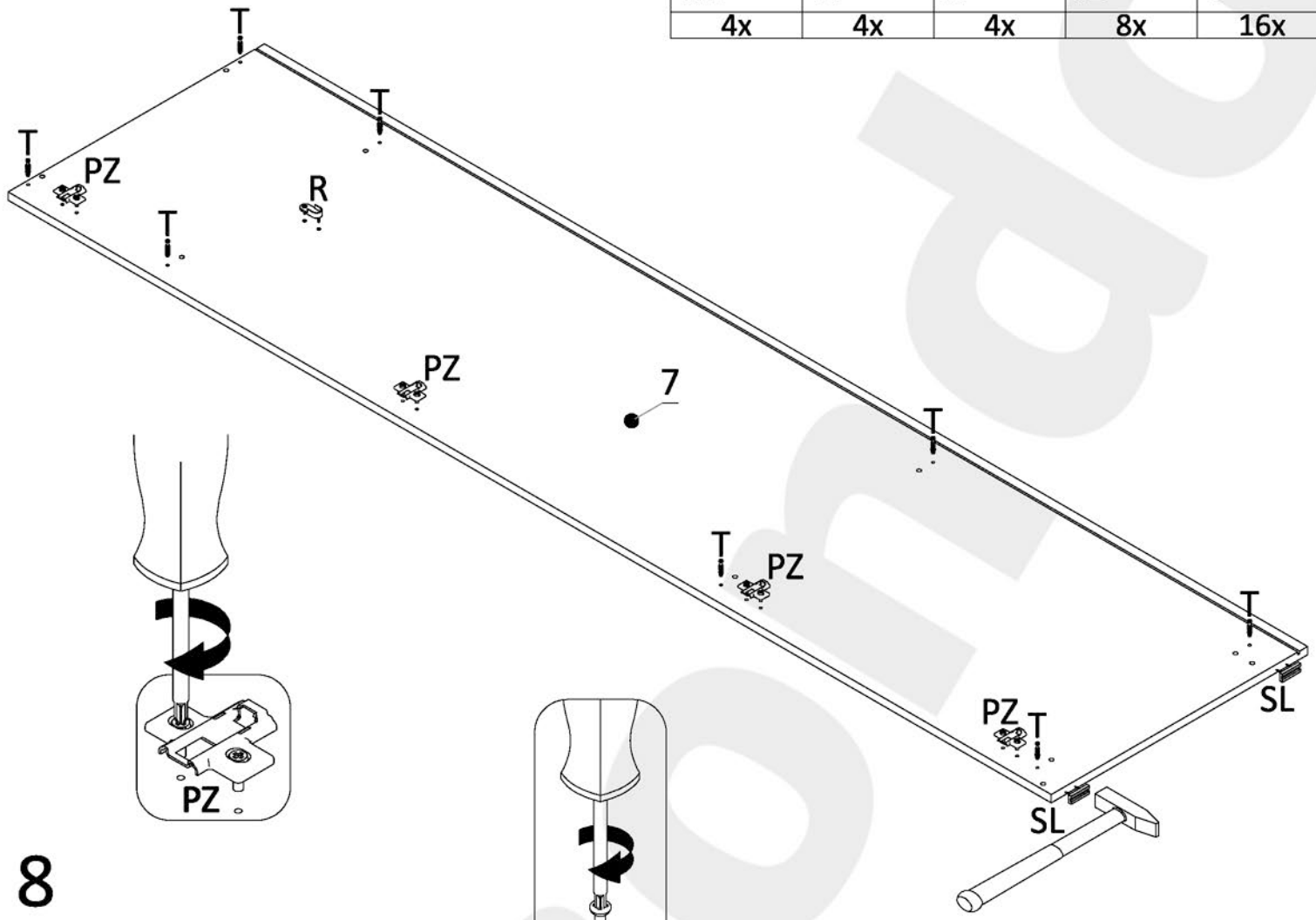


6

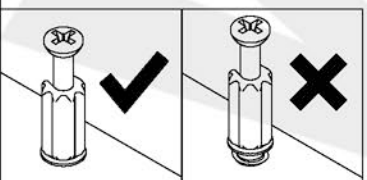
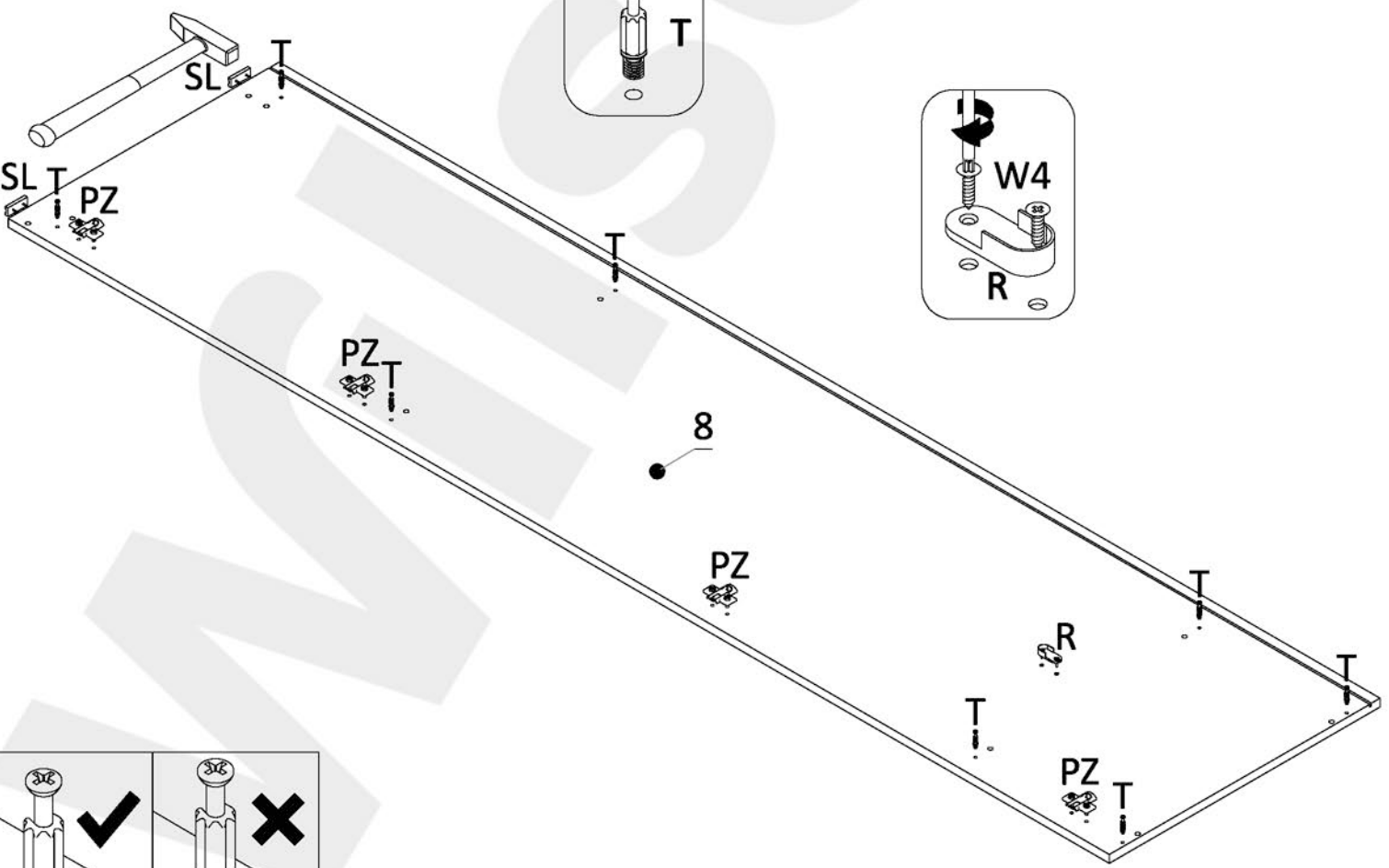


# 7

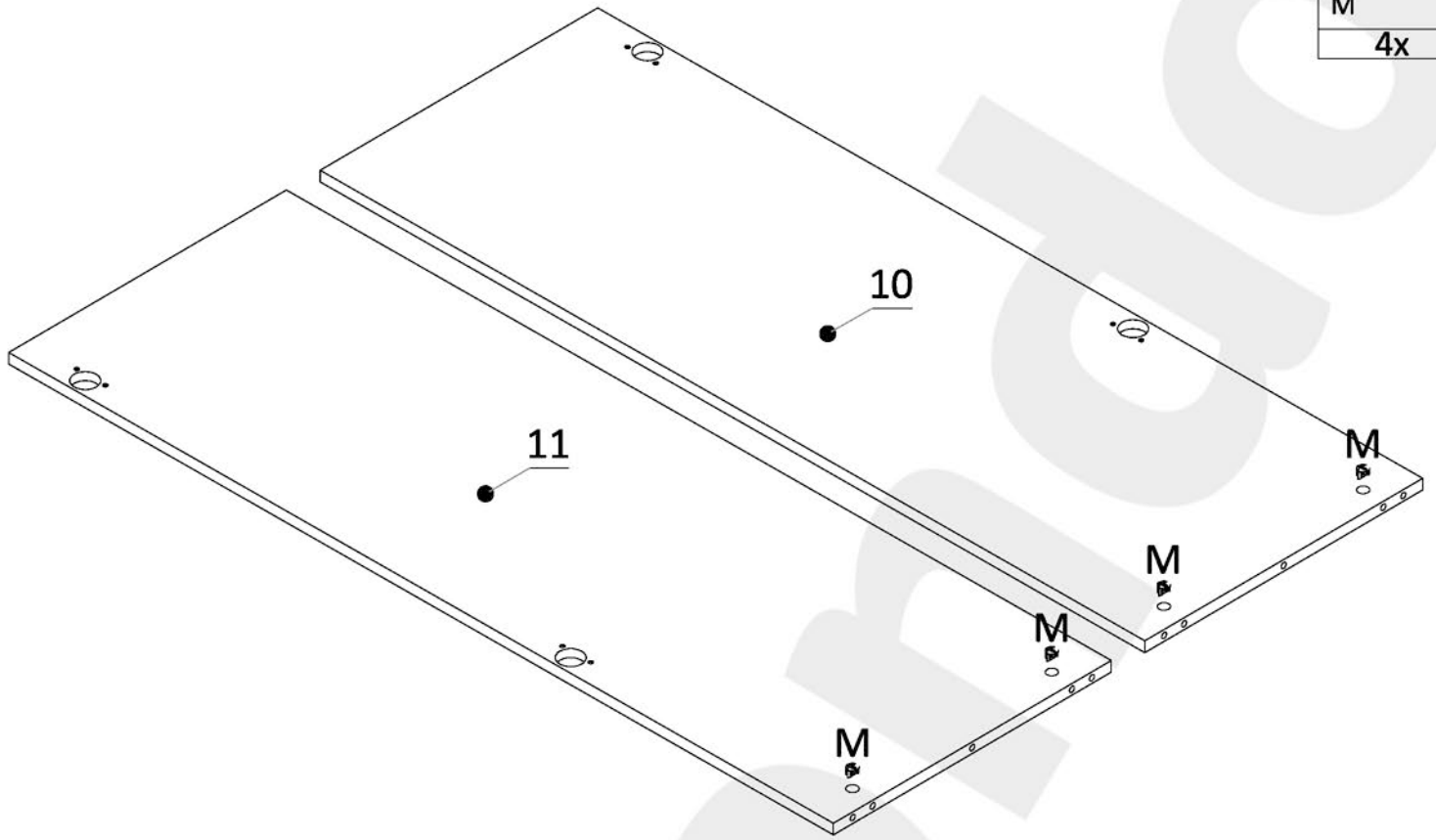
				
W4	SL	R	PZ	T
4x	4x	4x	8x	16x




# 8

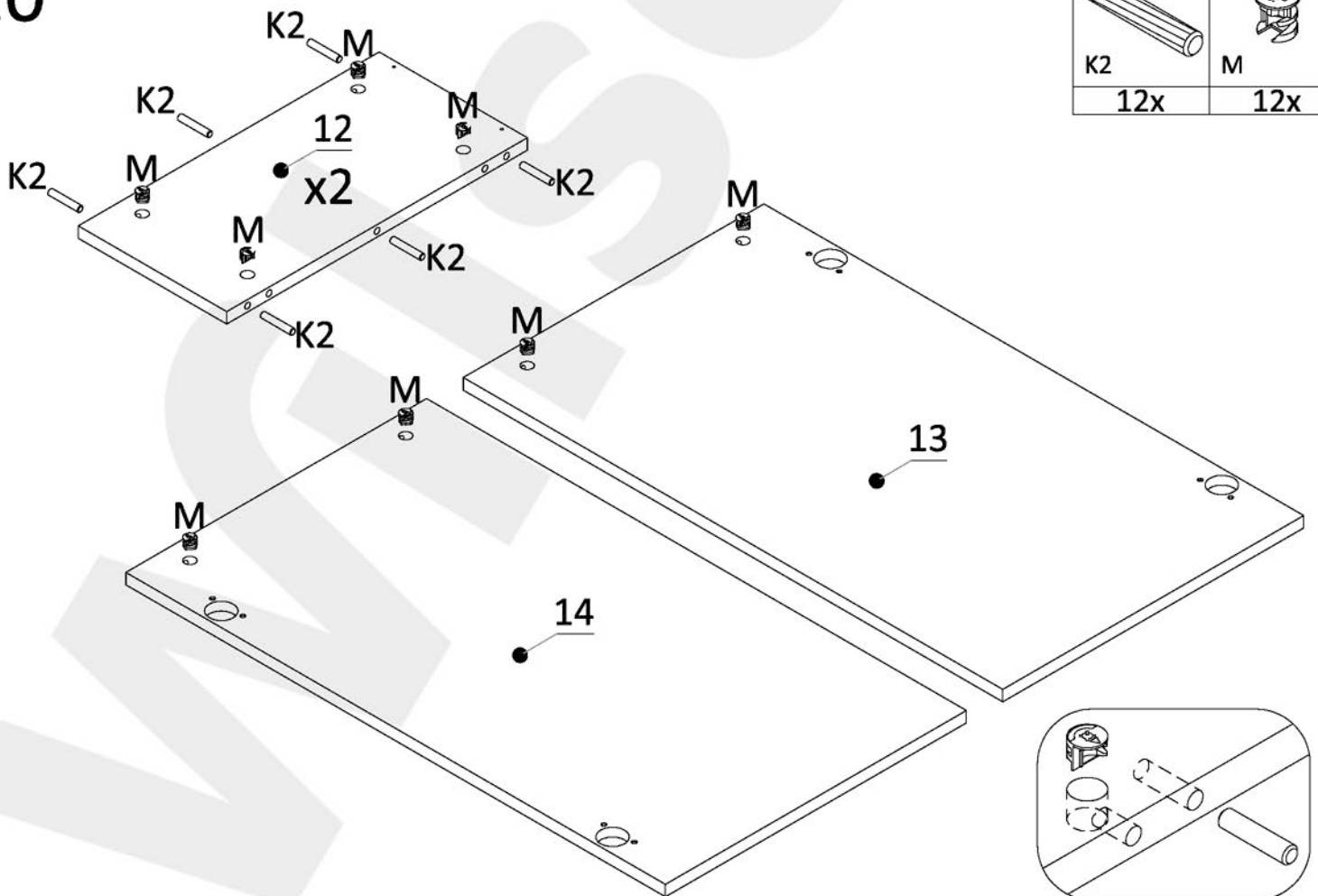




9




M
4x


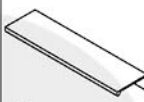
10

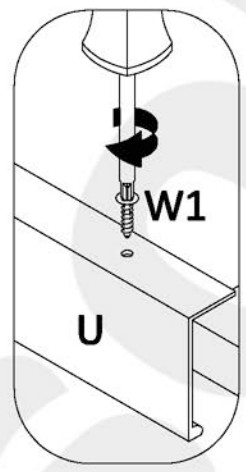
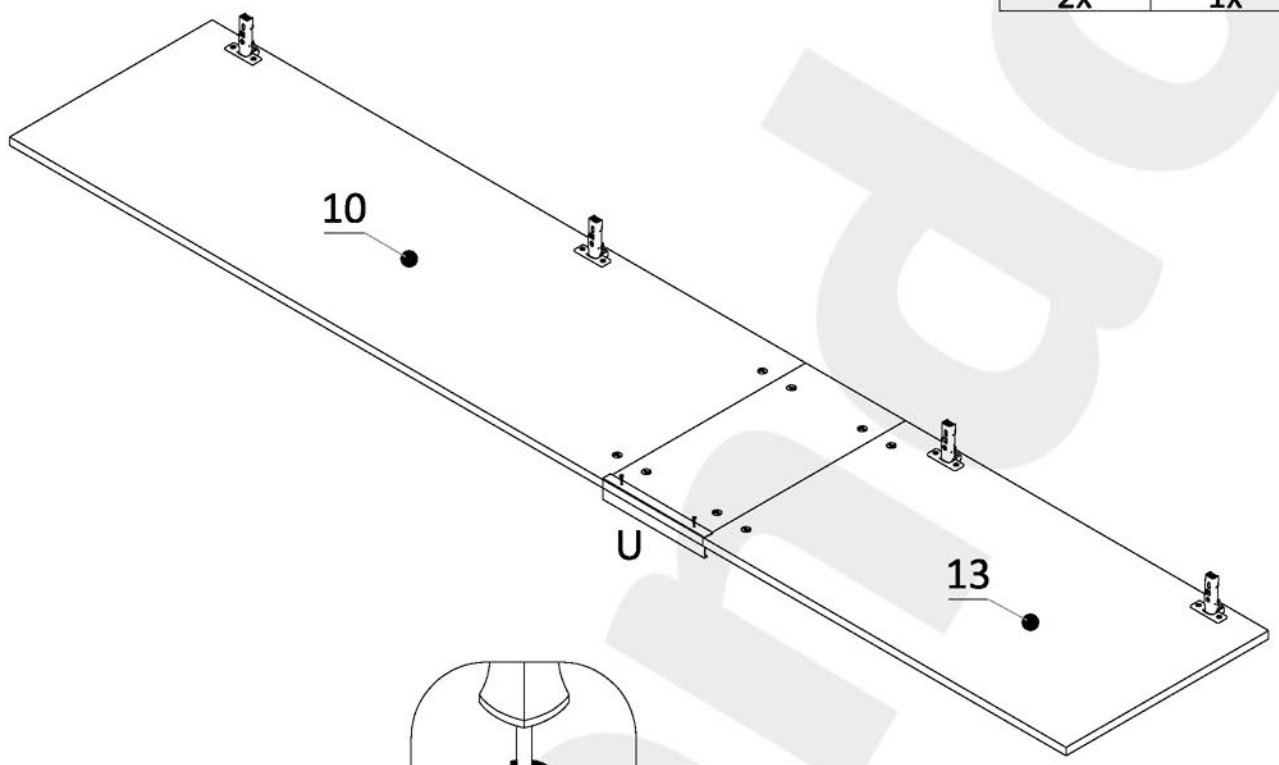
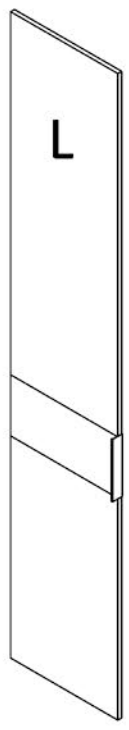


	
K2	M
12x	12x

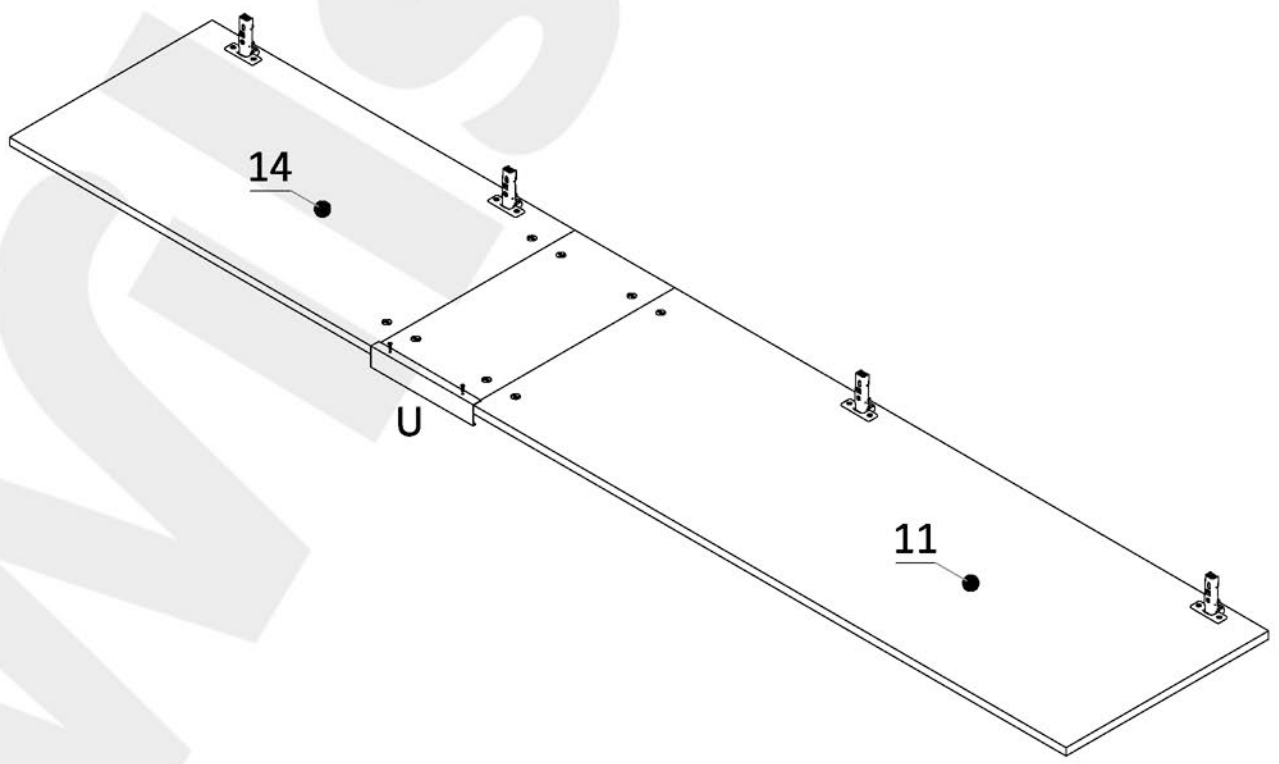


# 13 Option L

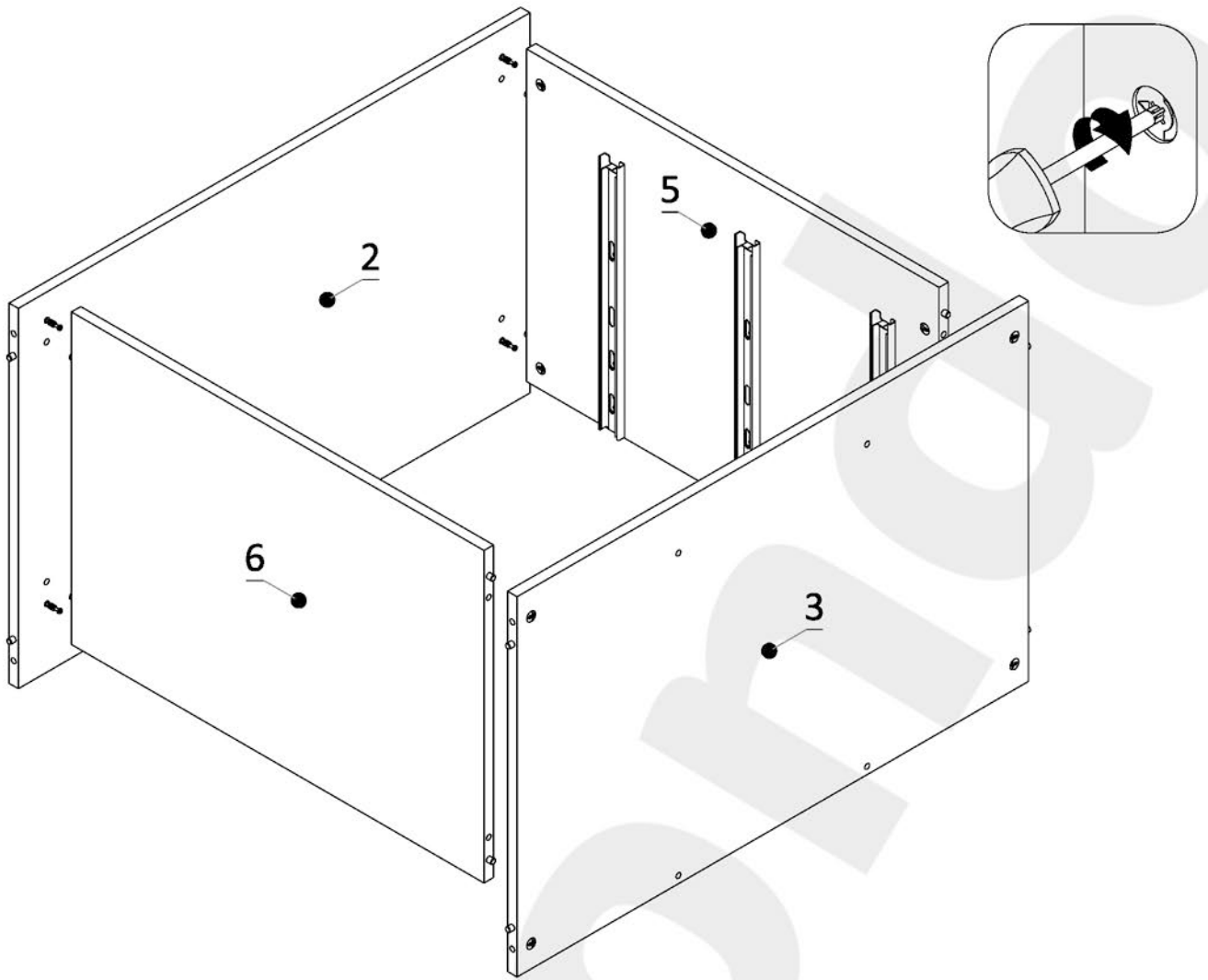
	
W1	U
2x	1x



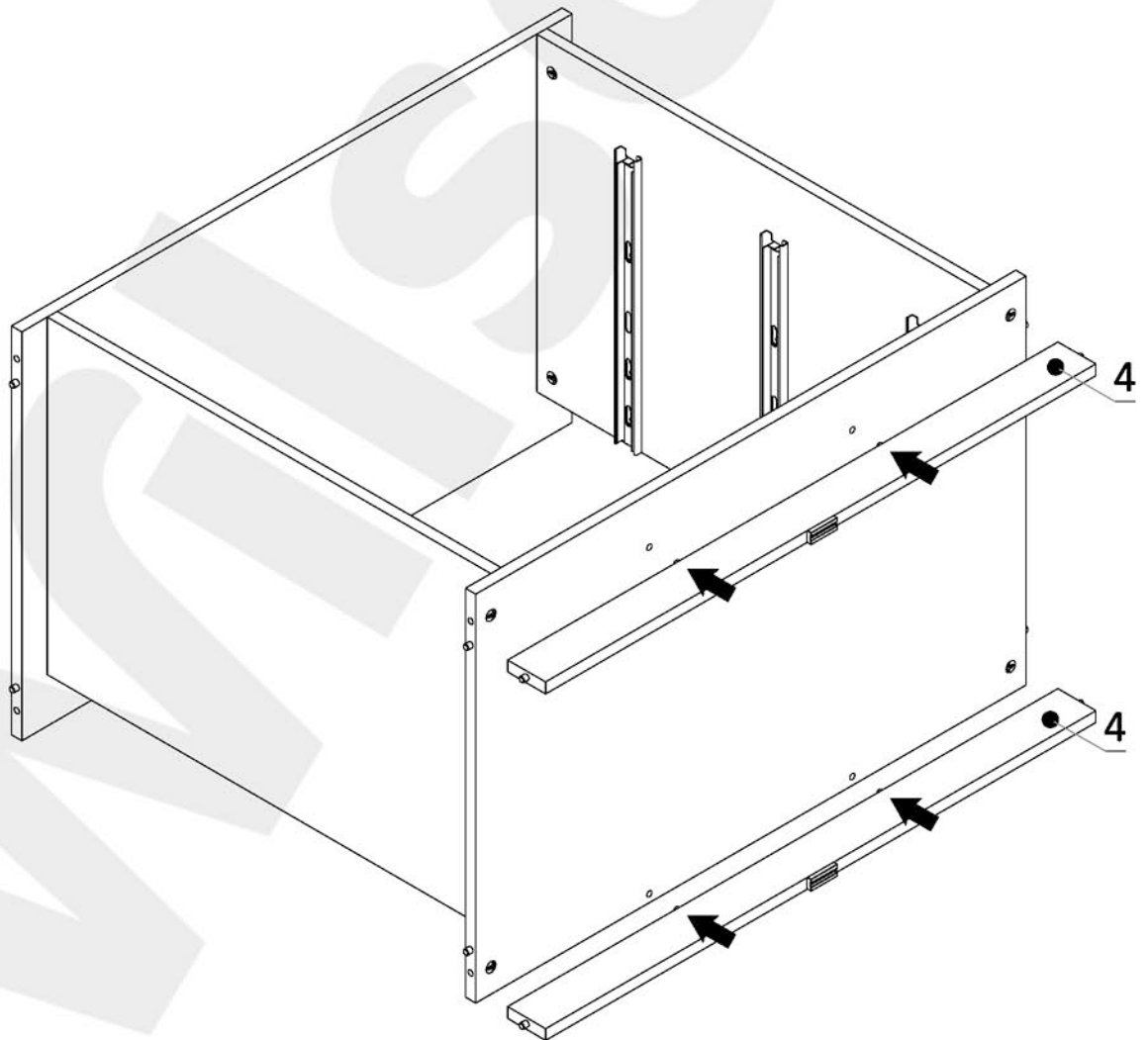
# Option R



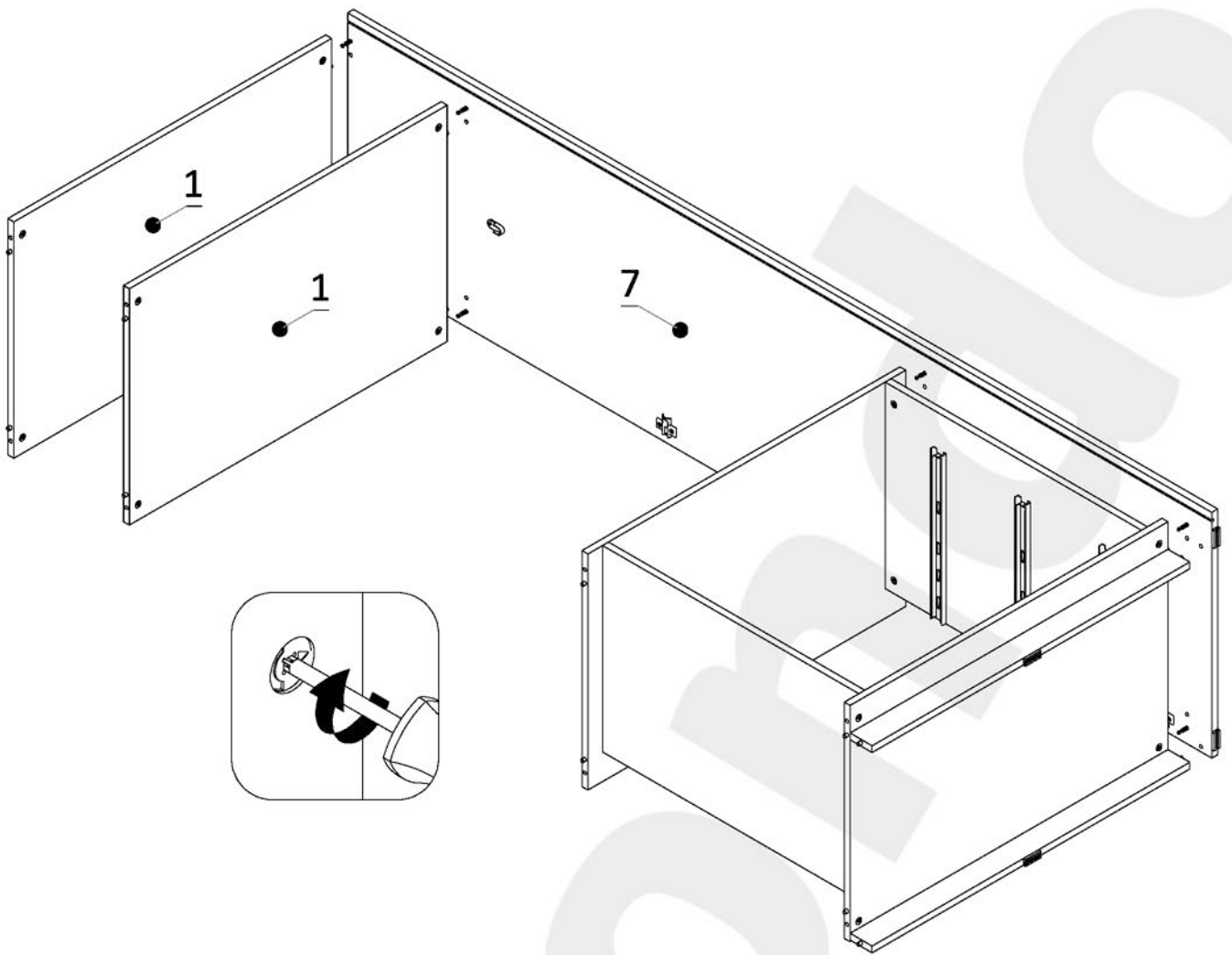
14



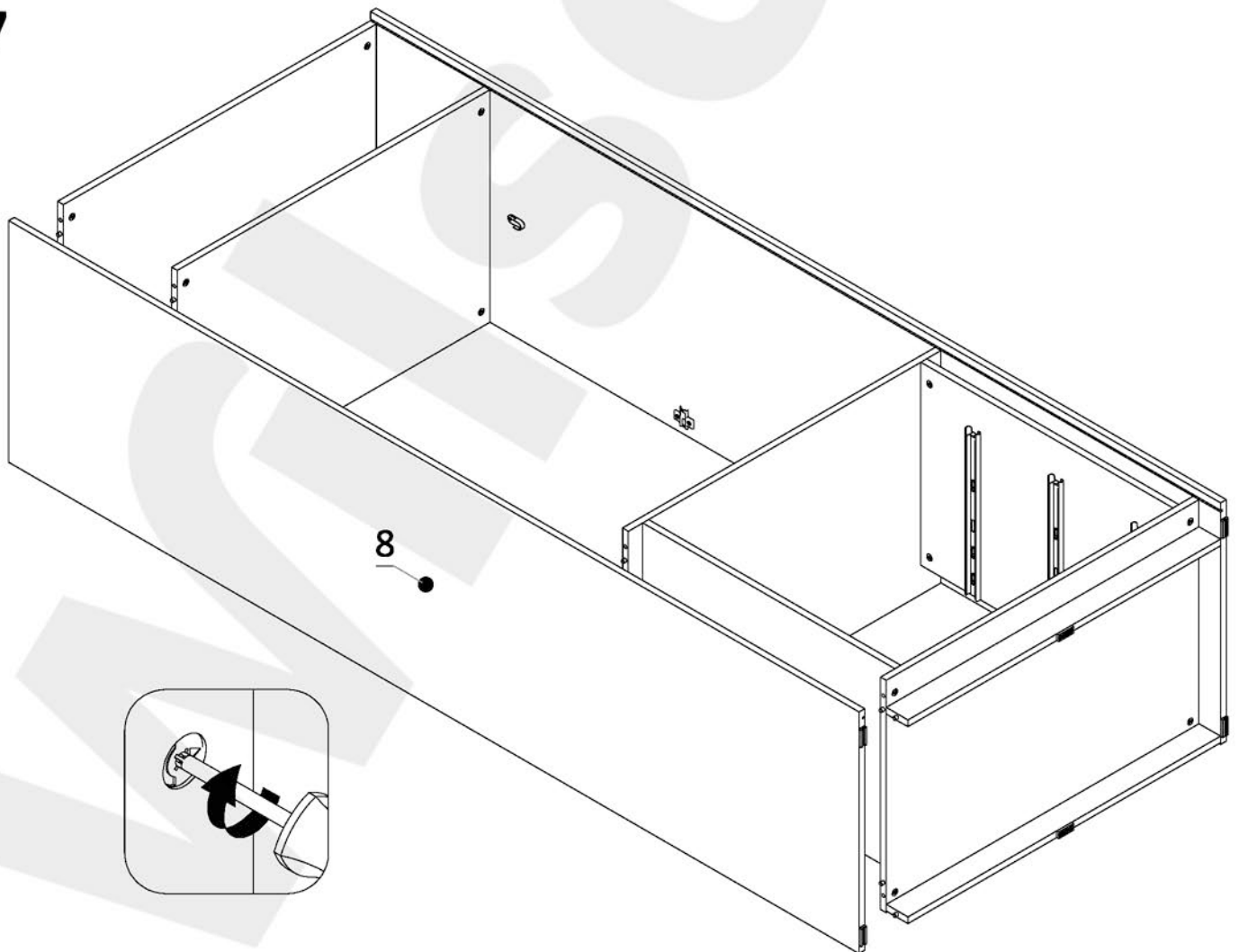
15



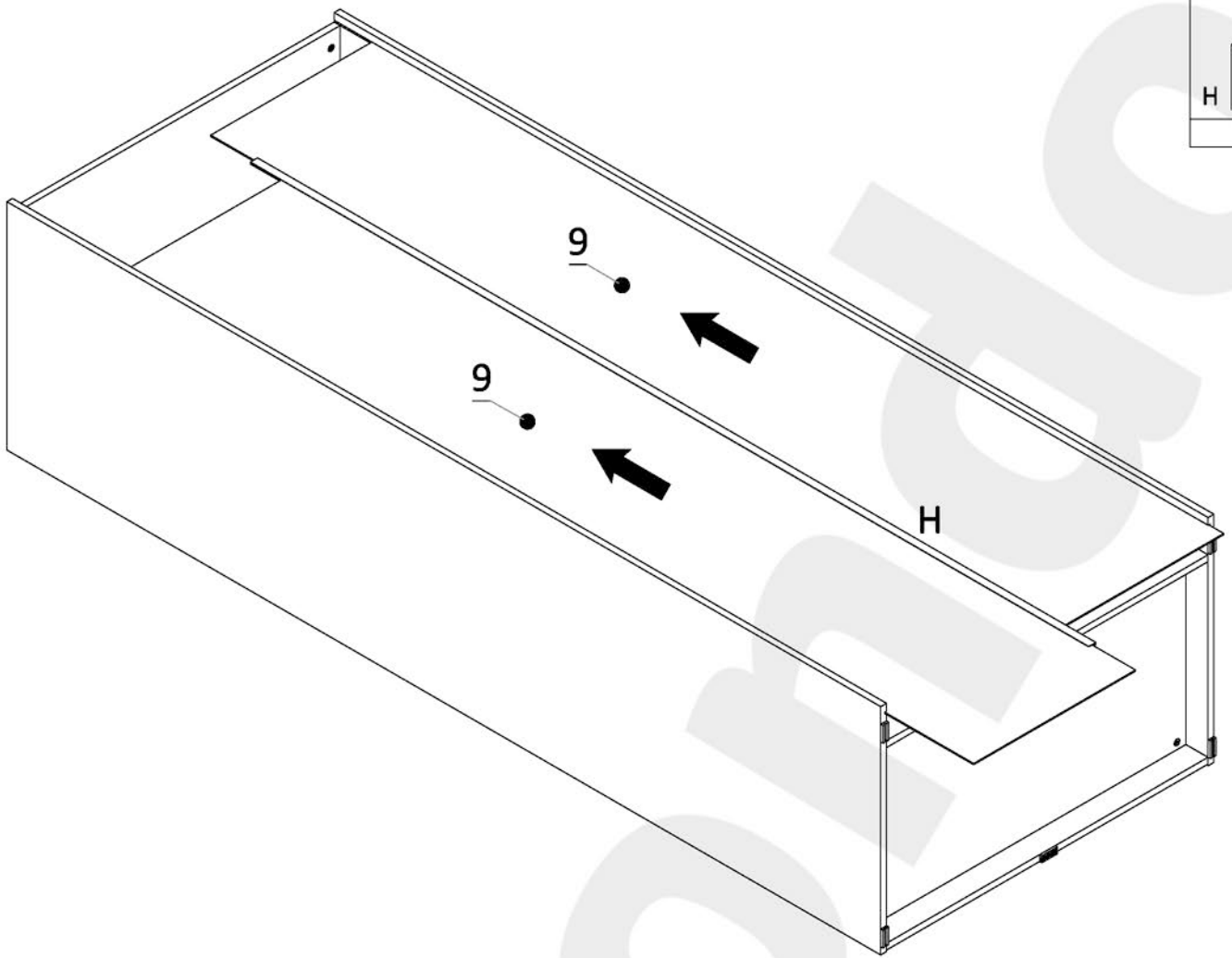
16



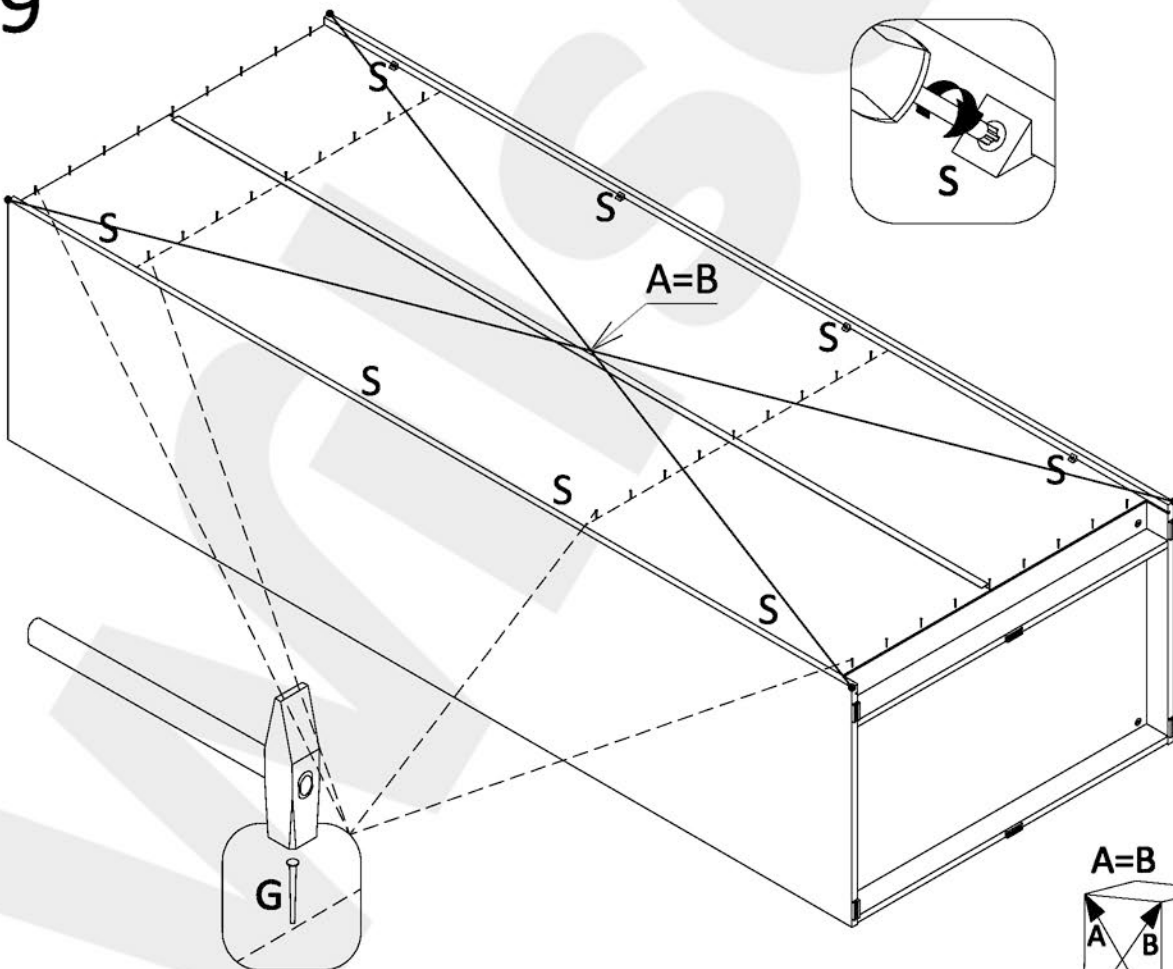
17





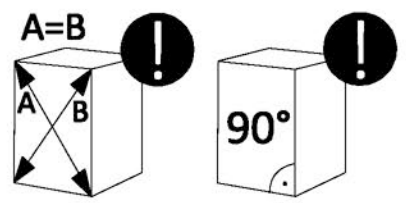
18



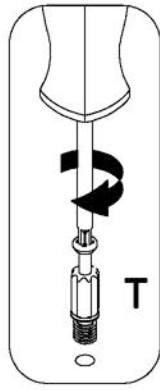
19


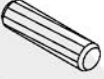


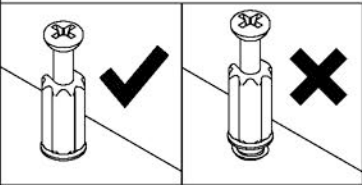
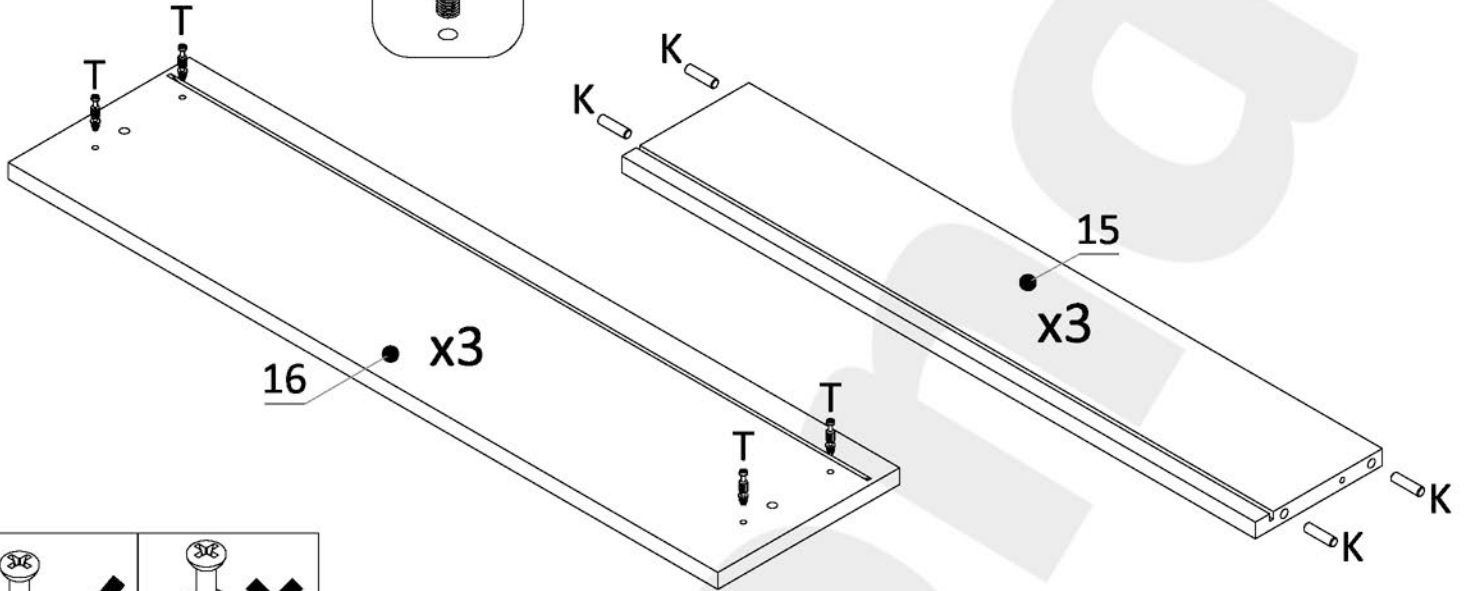
 G 36x	 S 8x
---	--






20



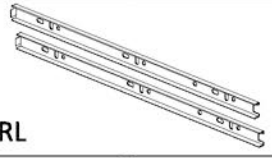
	
T	K
12x	12x

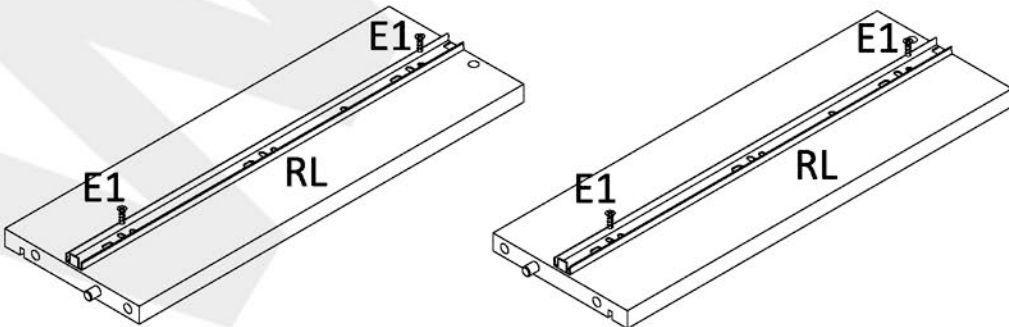
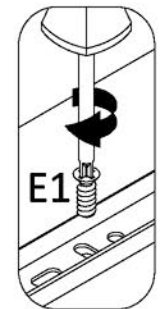
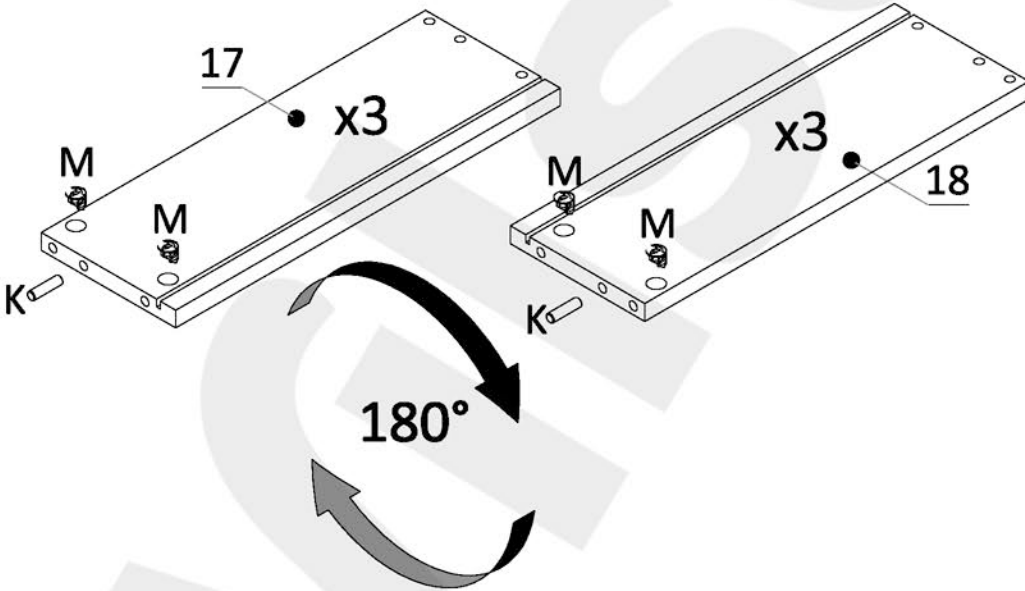


21

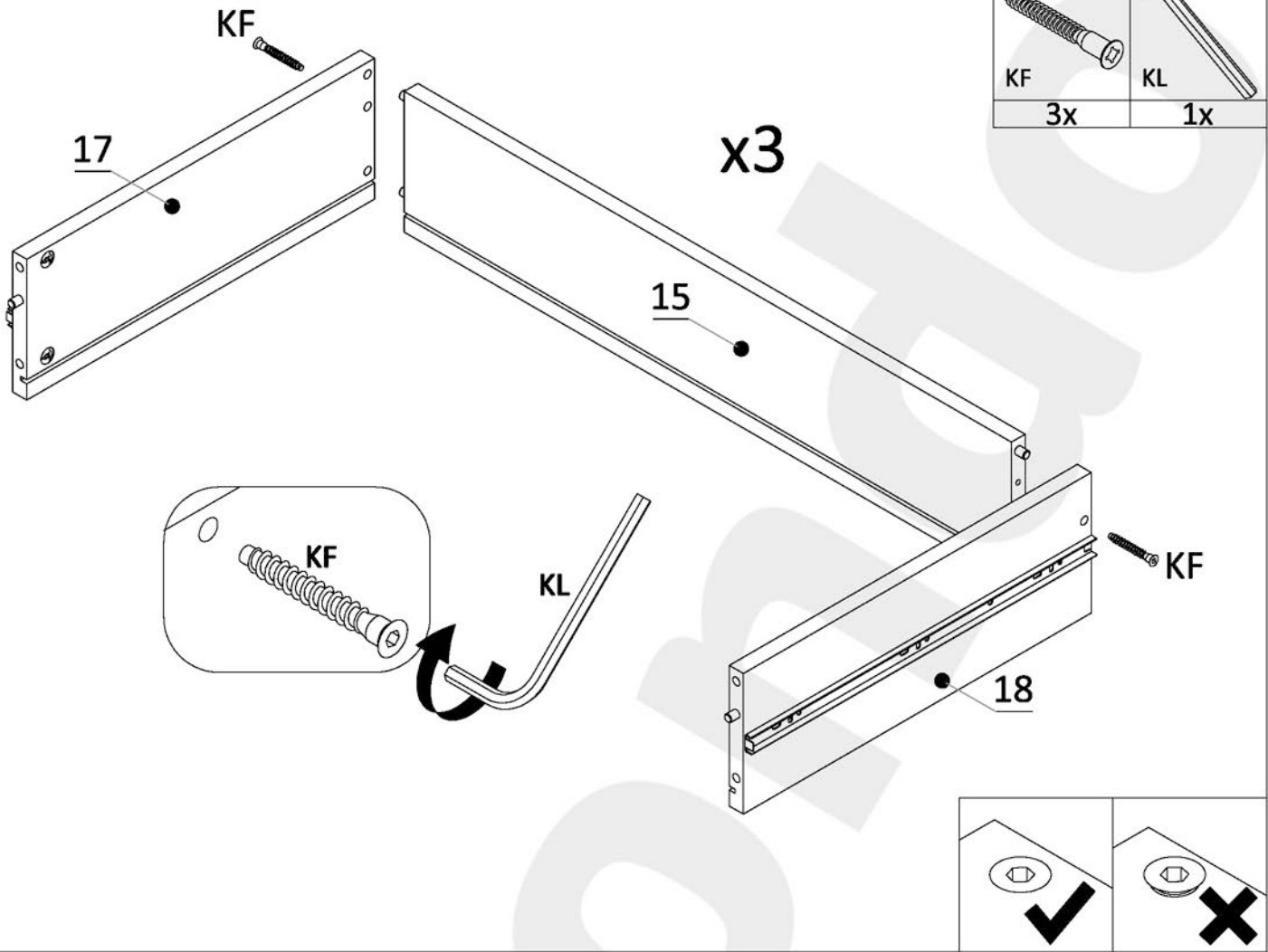
		
E1	M	K
12x	12x	6x

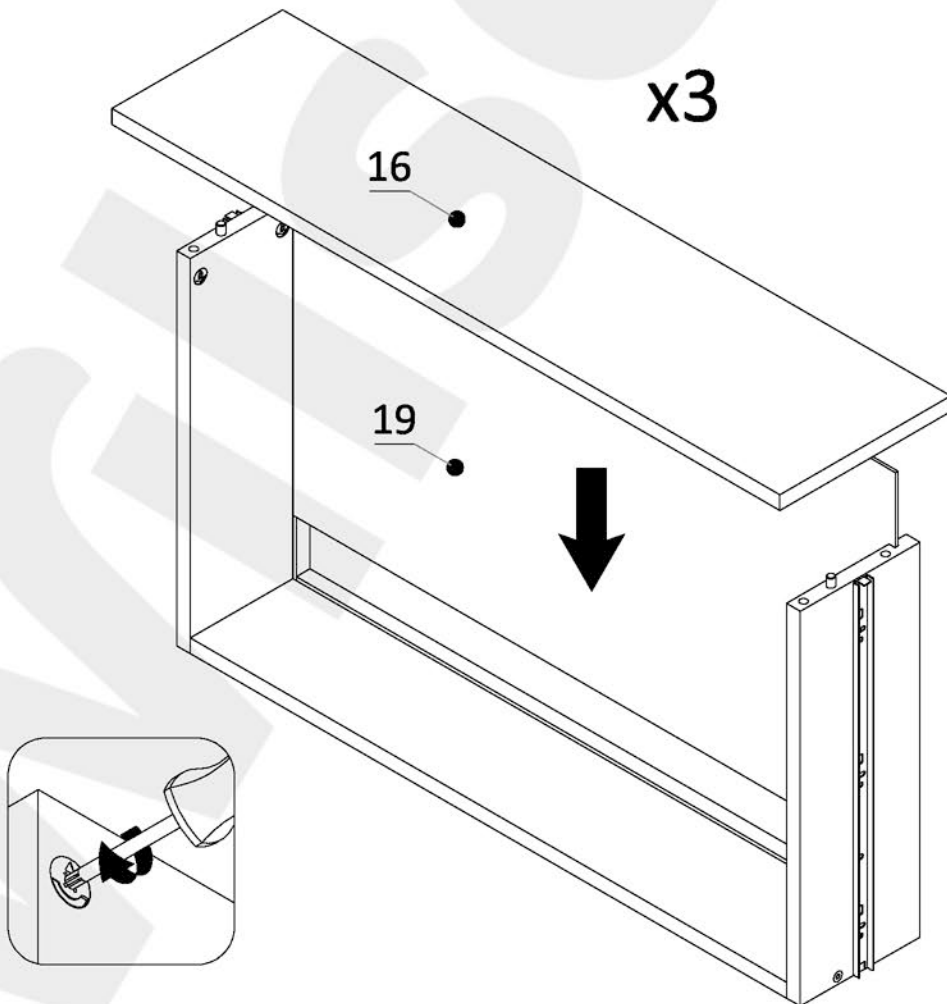

RL
3x



22





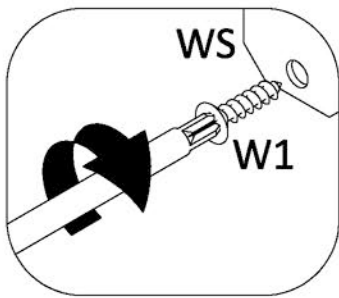
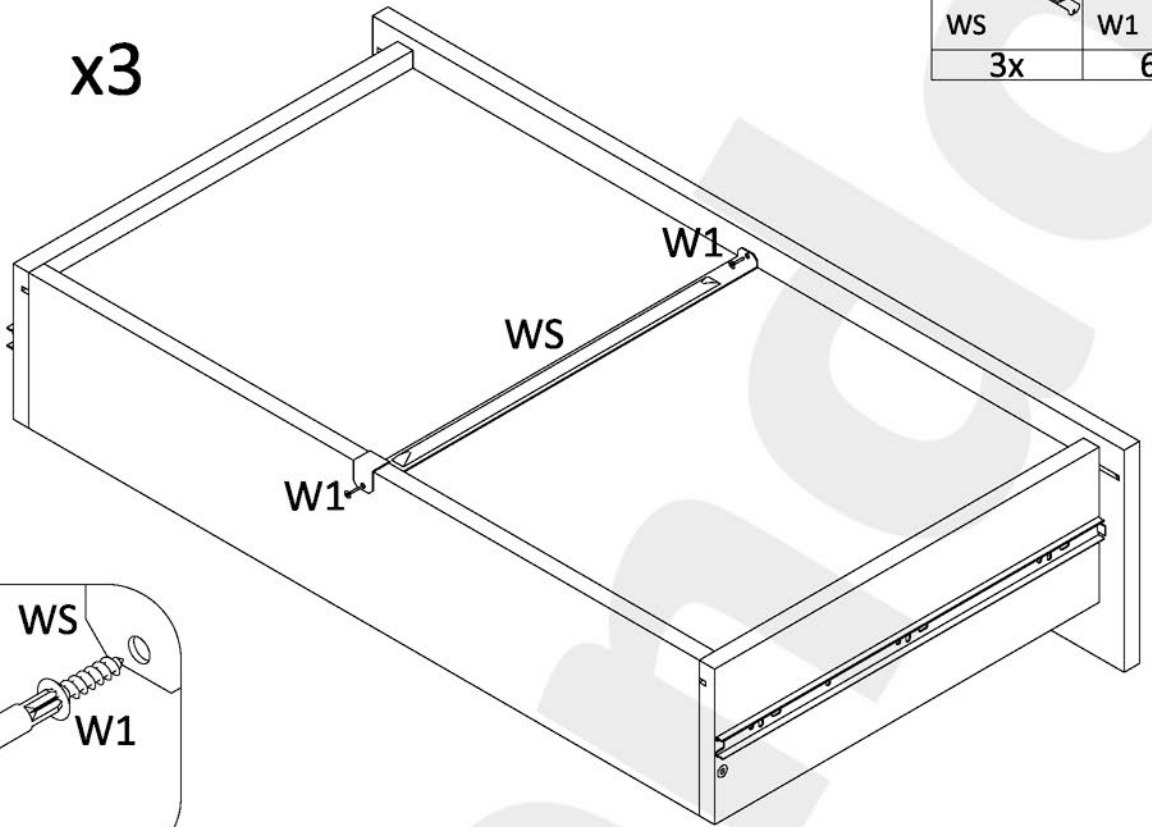
23







# 24

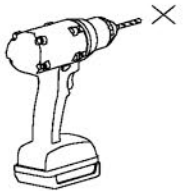
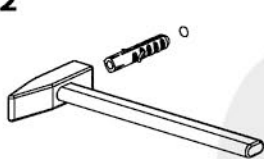

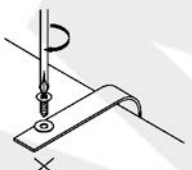
x3

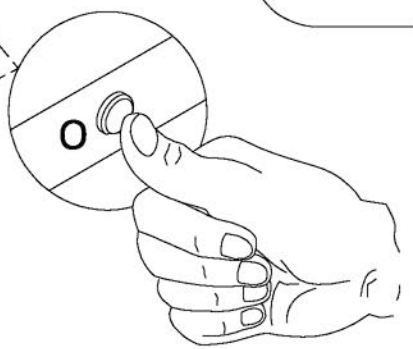
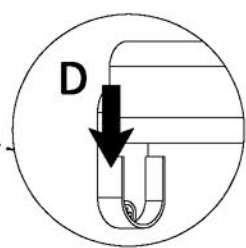
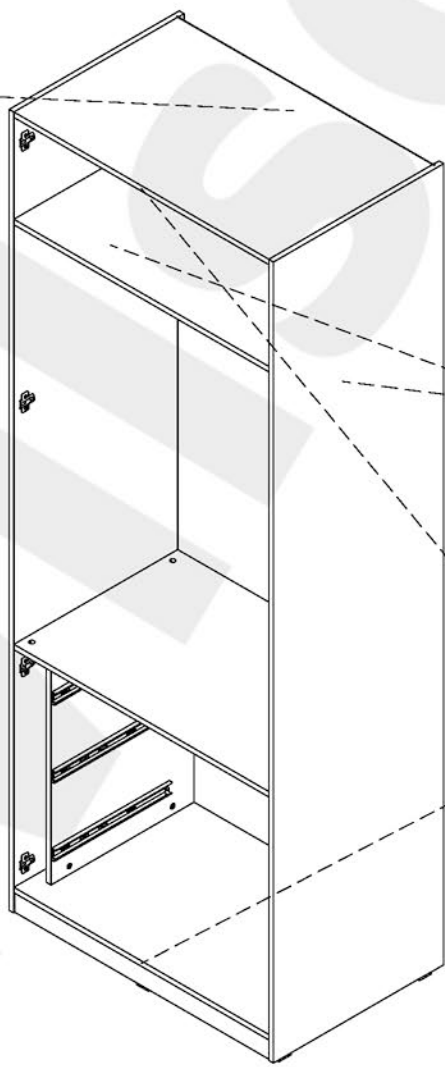
	
WS	W1
3x	6x



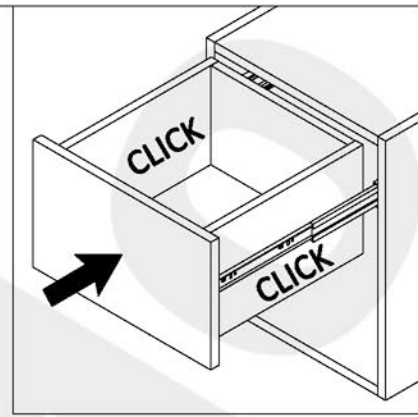
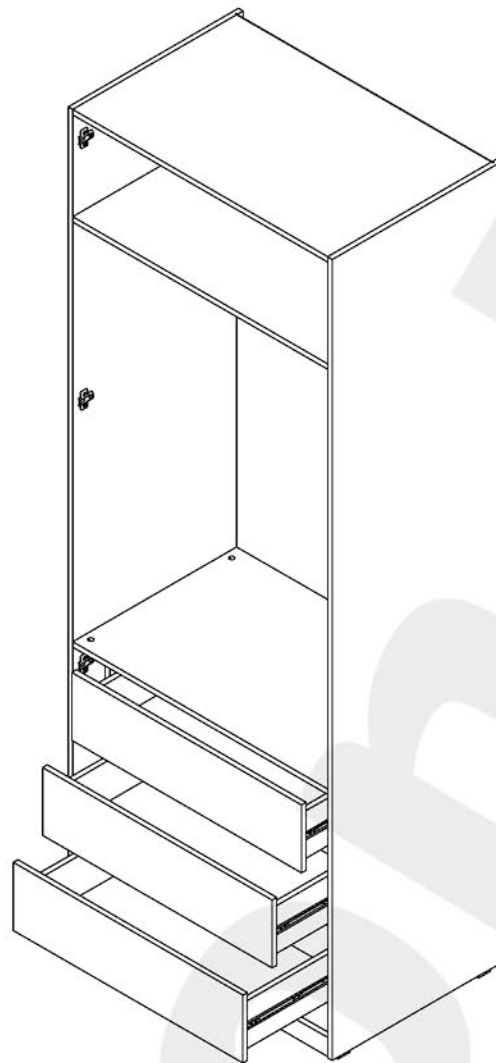
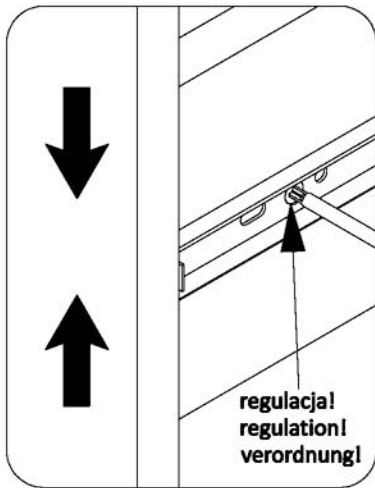
# 25

			
O	D	ZM	PS
4x	1x	36x	1x

- 1 
- 2 
- 3 
- 4 



26



27

