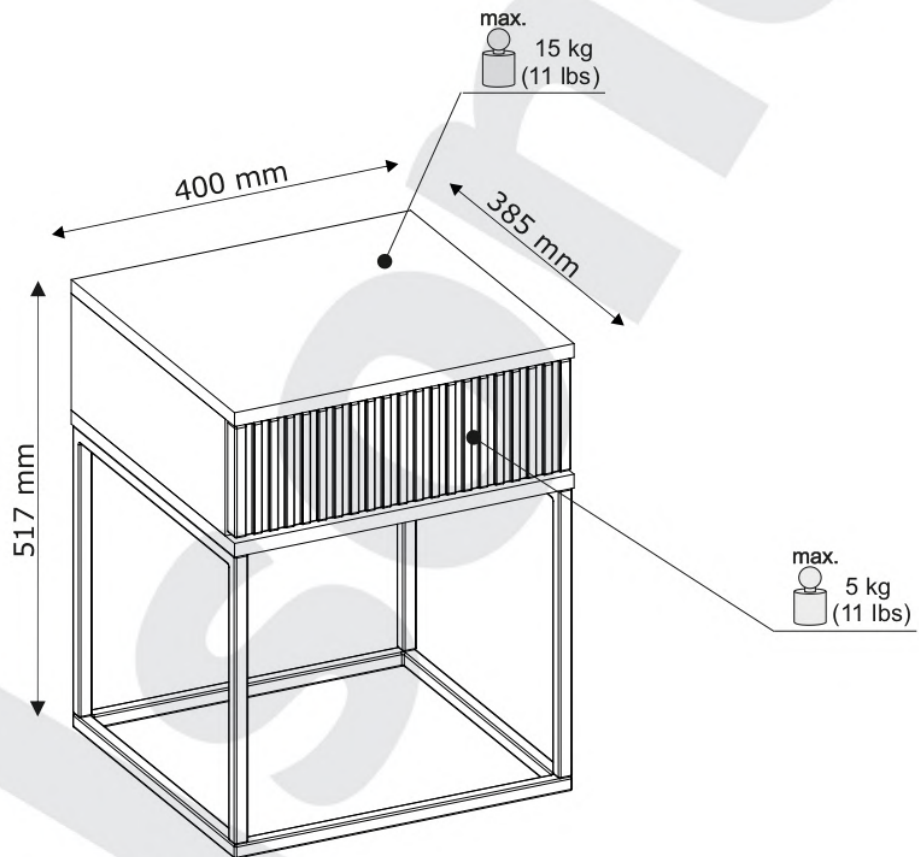
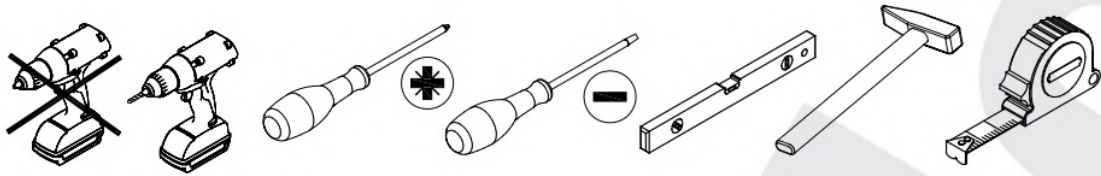
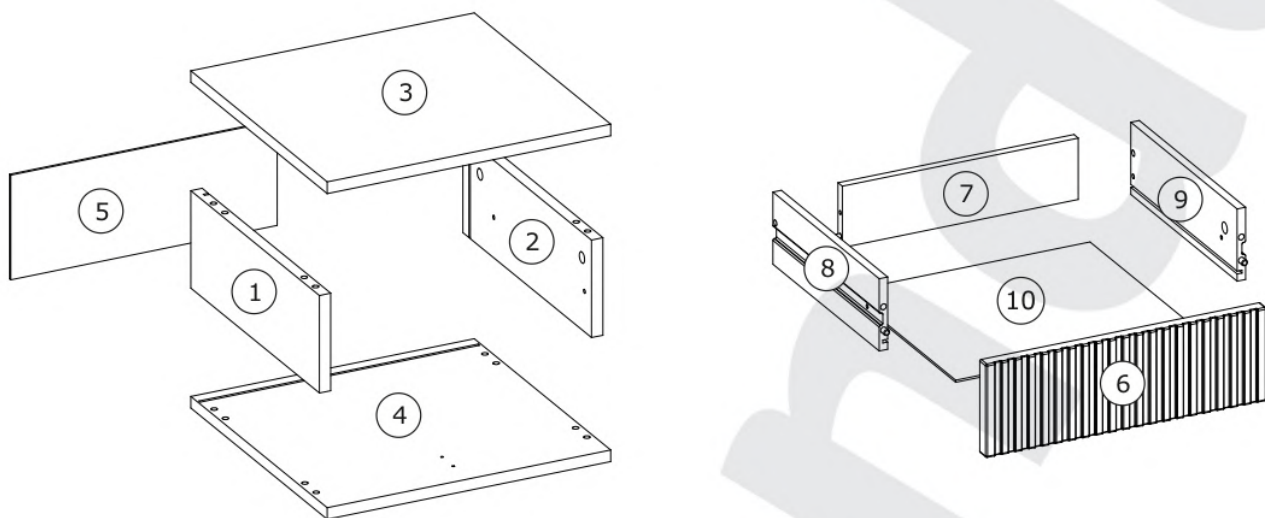


3020019

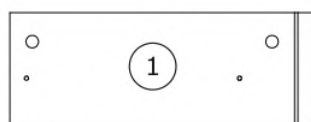




<p>A x 8</p>  <p>Ø8x35 mm</p>	<p>B x 2</p>  <p>Ø6x30 mm</p>	<p>C x 2</p>  <p>Ø7x50 mm</p>	<p>D x 4</p>  <p>Ø7x60 mm</p>	<p>E x 1</p>  <p>● 4 mm</p>
<p>F x 4</p>  <p>20 mm</p>	<p>G x 4</p>  <p>Ø15x12 mm</p>	<p>H x 6</p>  <p>Ø5x44 mm</p>	<p>I x 3</p>  <p>3,5x16 mm</p>	<p>J x 4</p>  <p>Ø6,3x13 mm</p>
<p>K x 2</p>  <p>4x9 mm</p>	<p>L x 3</p>  <p>Ø3x20 mm</p>	<p>M x 4</p>  <p>10x10 mm</p>	<p>N x 1</p> 	<p>O x 2</p>  <p>Ø 12x10 mm</p>
<p>P x 2</p>  <p>310 mm</p>		<p>Q x 2</p>  <p>20 mm</p>	<p>R x 1</p> 	<p>S x 4</p>  <p>14 mm</p>
<p>T x 1</p>  <p>● 5 mm</p>	<p>U x 1</p> 			



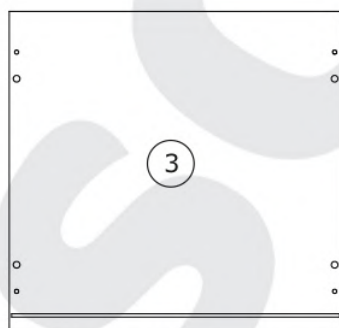
BOX 1/1:



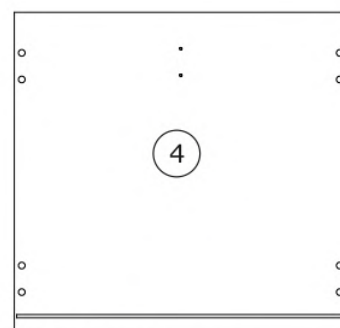
363x135x16 mm



363x135x16 mm



400x385x16 mm



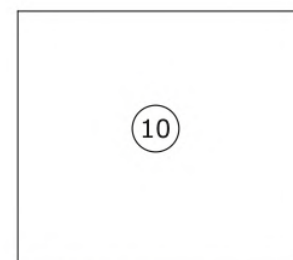
400x385x16 mm



376x145x3 mm



396x129x18 mm



343x307x3 mm



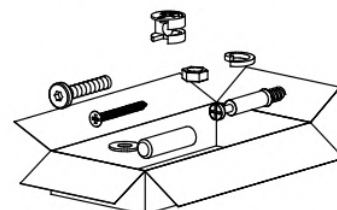
300x100x12 mm



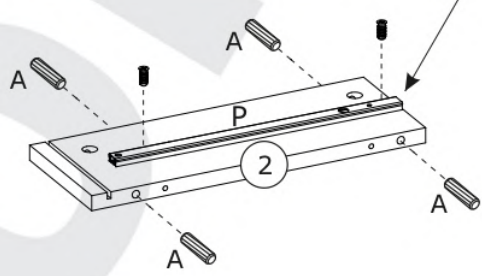
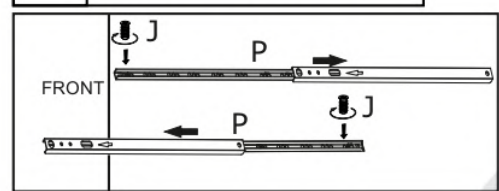
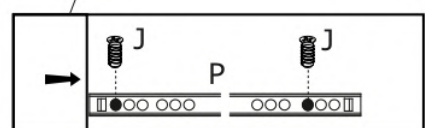
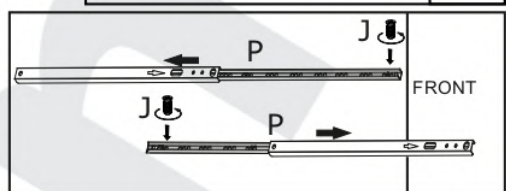
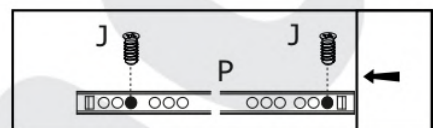
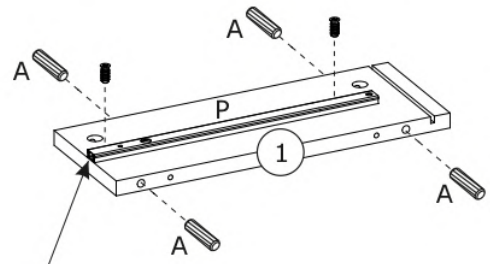
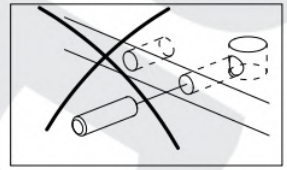
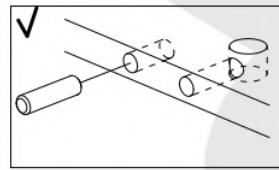
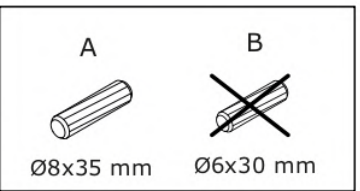
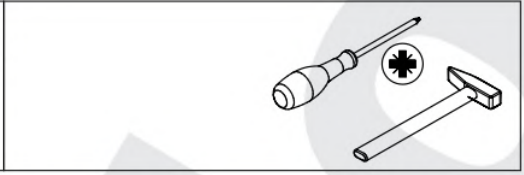
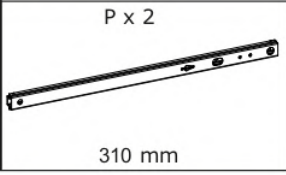
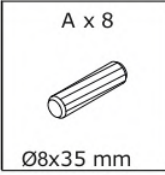
333x85x12 mm



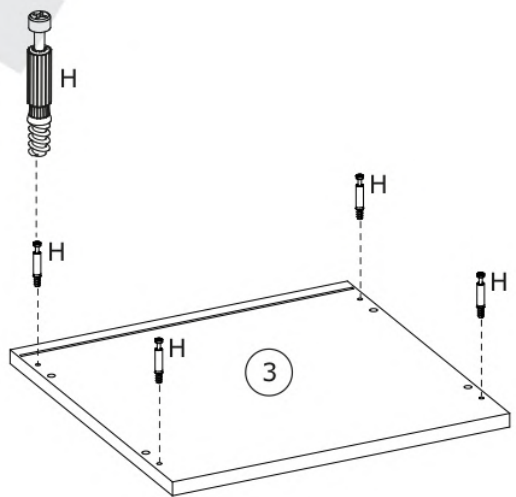
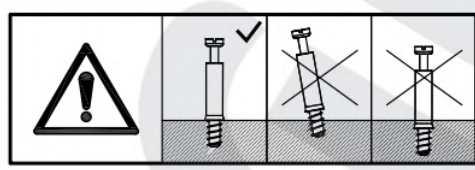
300x100x12 mm



1

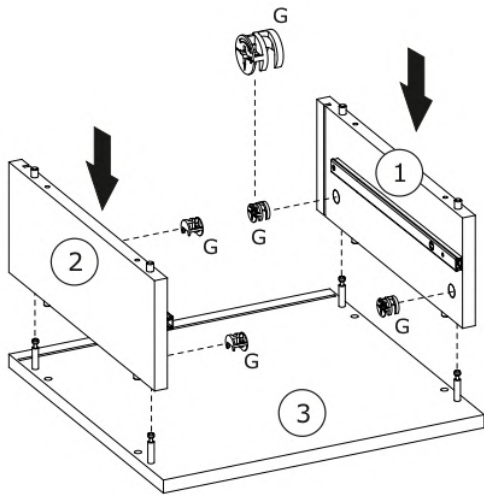




2

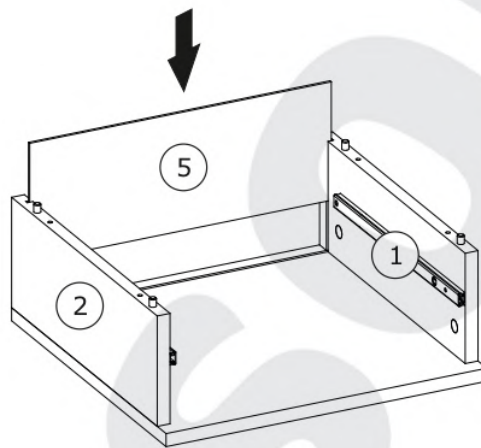
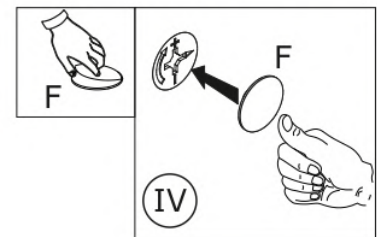
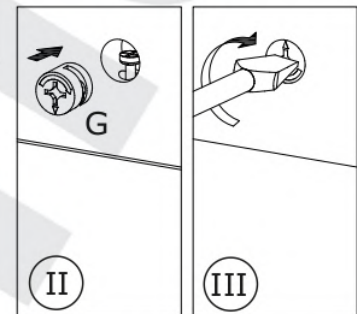
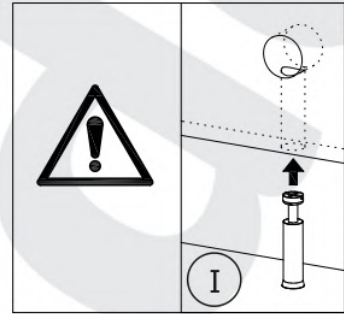


3


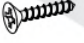
G x 4  Ø15x12 mm	F x 4  20 mm	
---	---	---

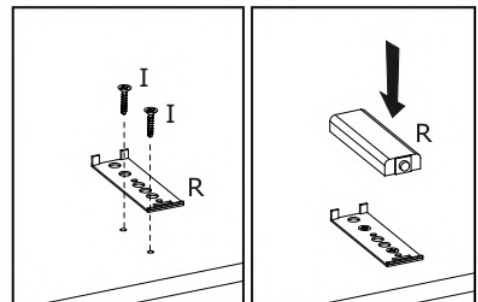
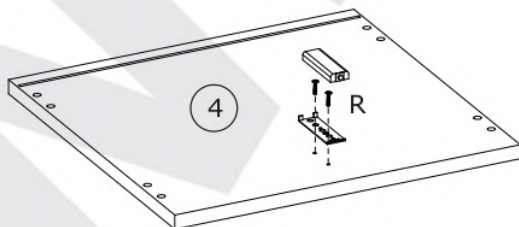


G  Ø15x12 mm
O  Ø12x10 mm

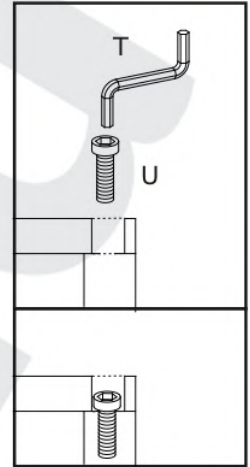
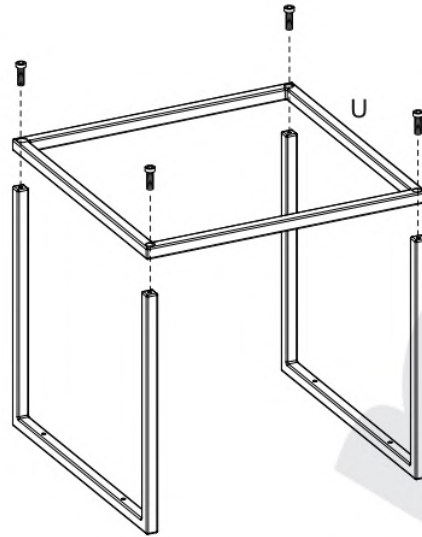
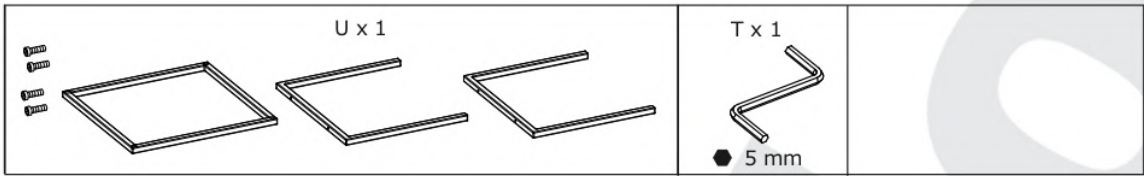


4

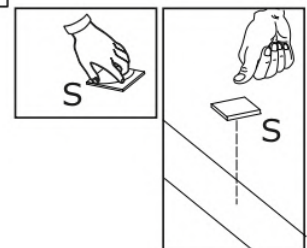
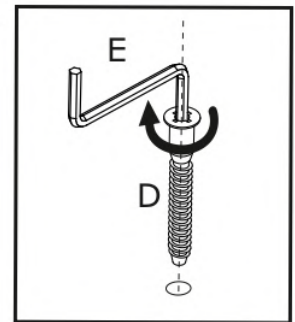
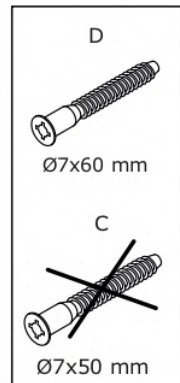
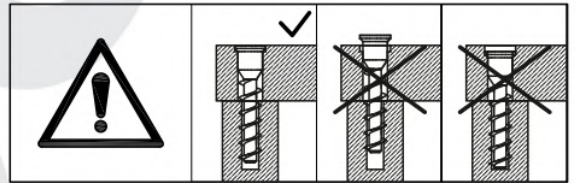
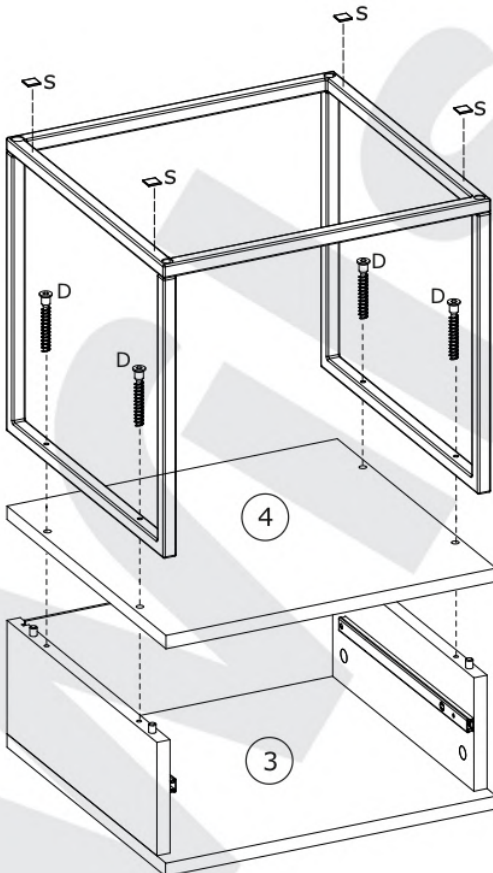
R x 1 	I x 2  3,5x16 mm	
--	---	---



5



6



7

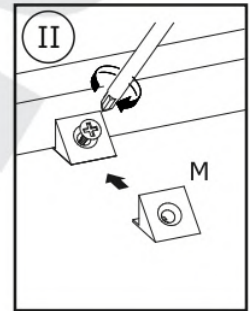
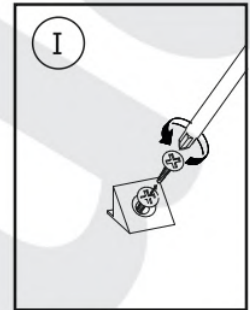
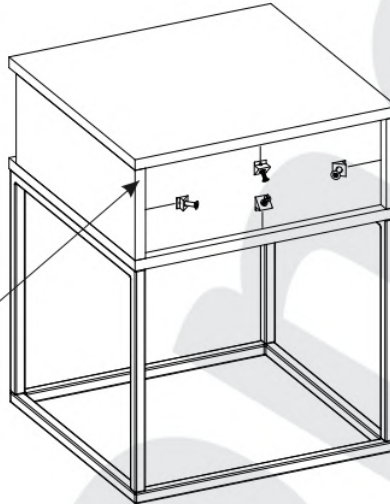
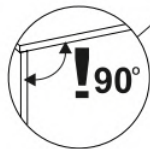
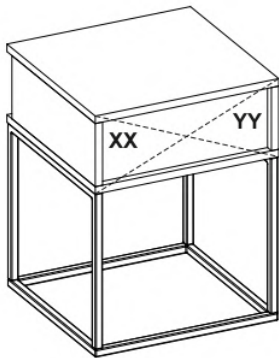
M x 4



10x10 mm



$XX = YY \equiv 90^\circ$



8

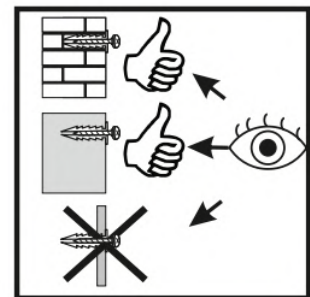
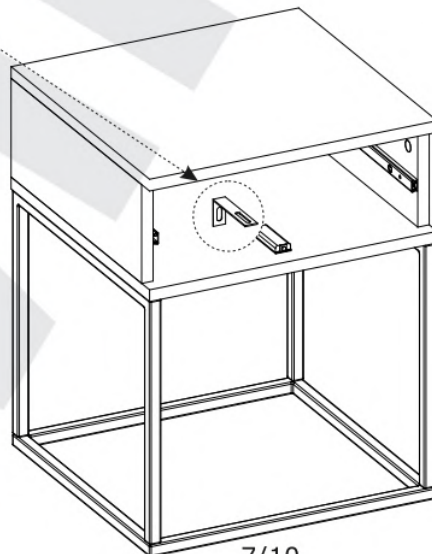
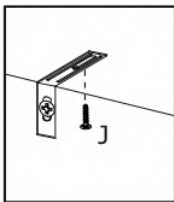
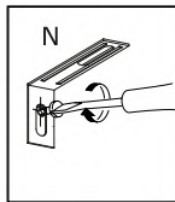
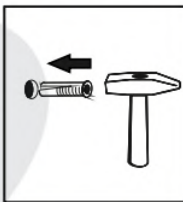
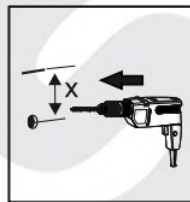
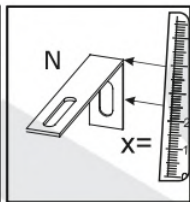
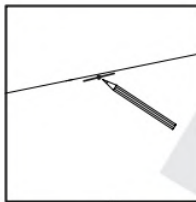
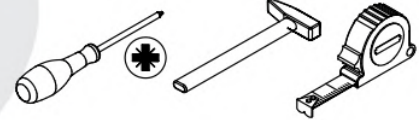
N x 1



J x 1

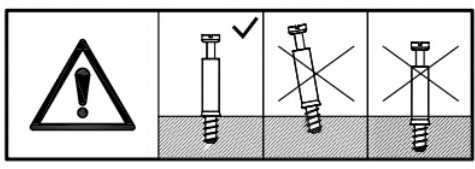
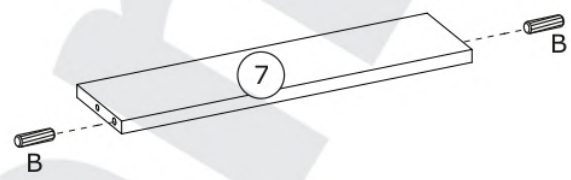
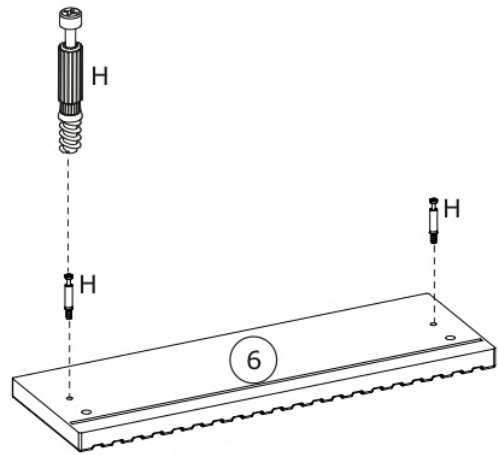


3,5x16 mm



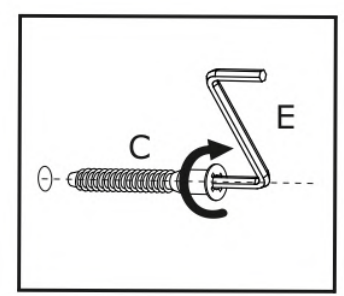
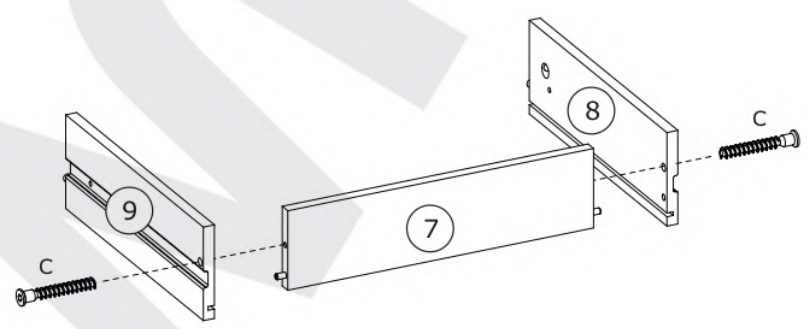
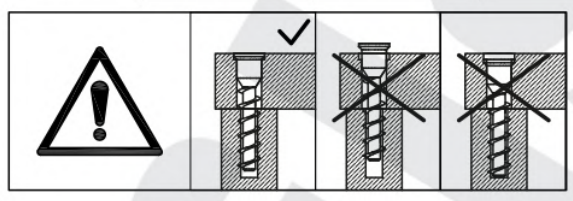
9

H x 2  Ø5x44 mm	B x 2  Ø6x30 mm	
--	--	---



10

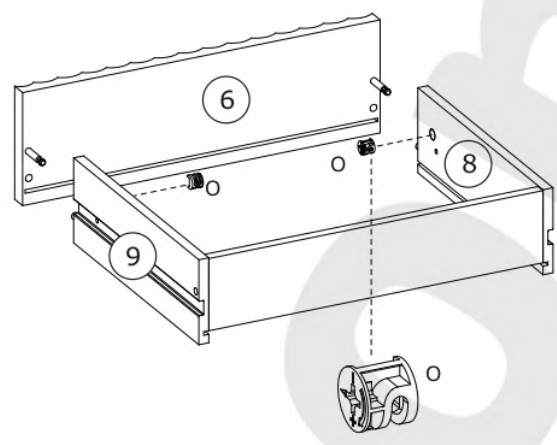
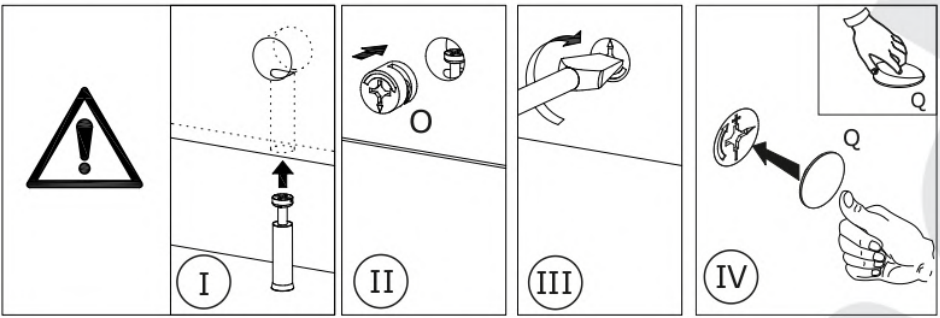
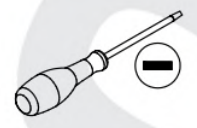
C x 2  Ø7x50 mm	E x 1  ● 4 mm	
--	--	--



11

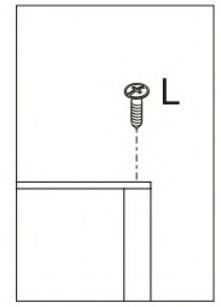
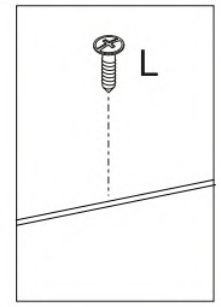
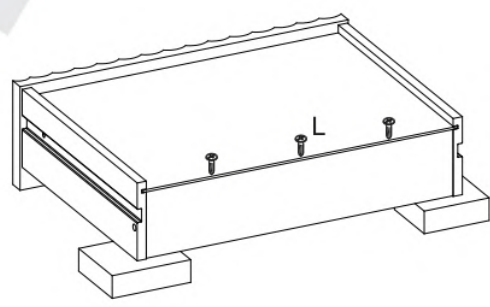
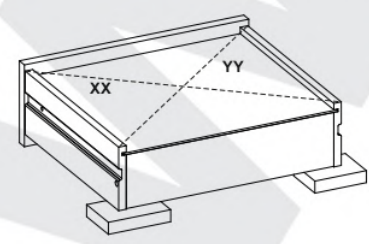
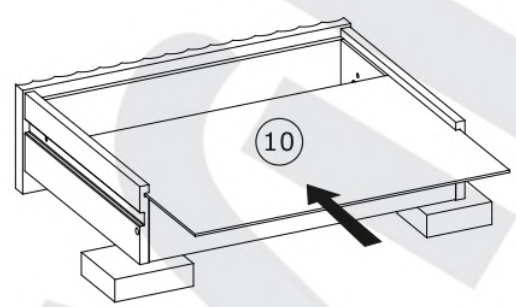
O x 2
Ø12x10 mm

Q x 2
20 mm



12

L x 3
Ø3x20 mm



13

K x 2



4x9 mm

