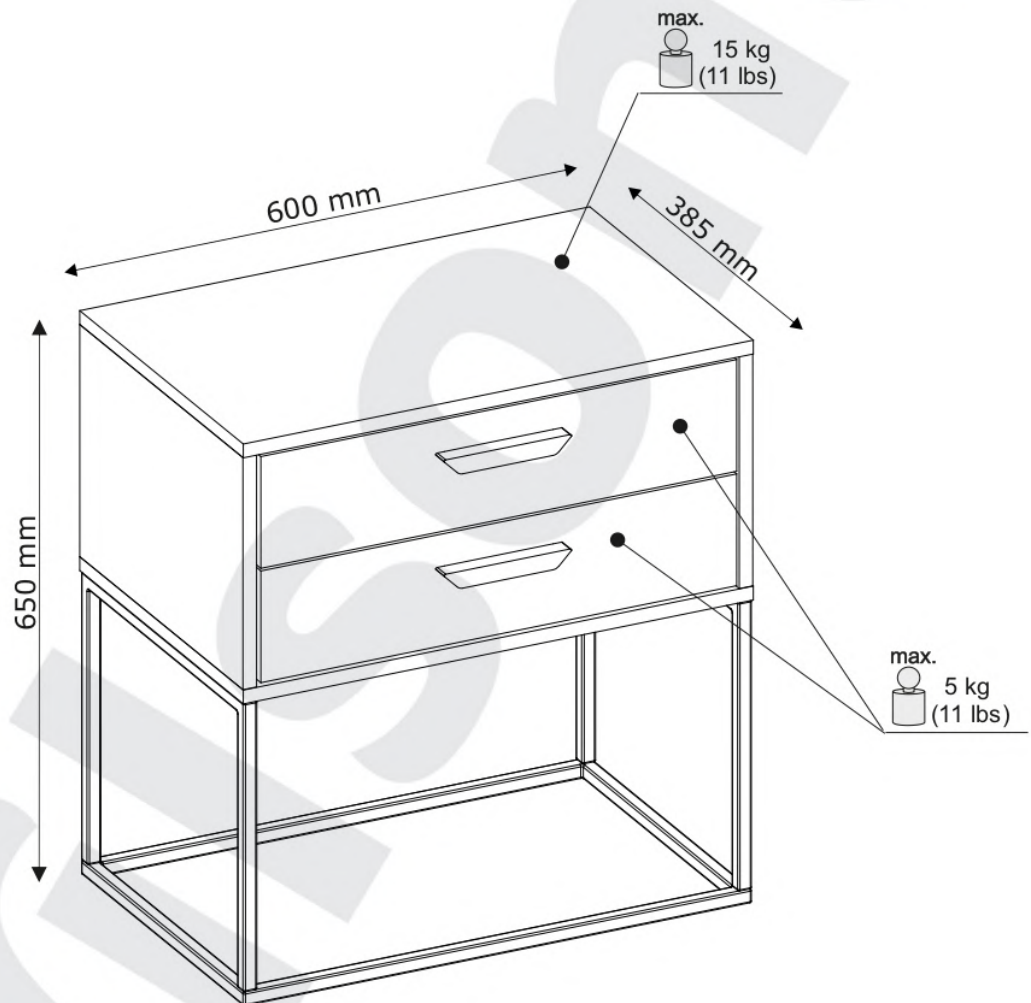
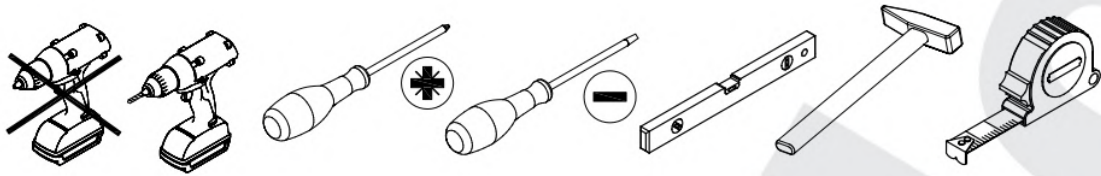
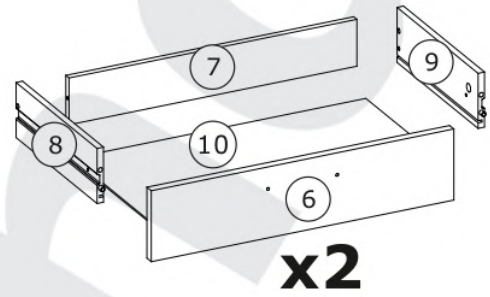
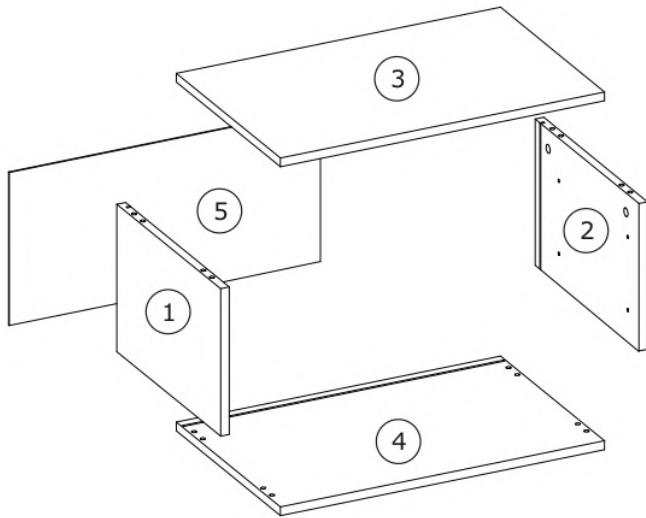


3019963

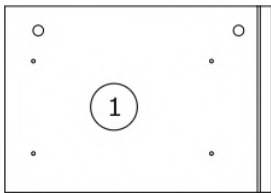




<p>A x 8</p>  <p>Ø8x35 mm</p>	<p>B x 4</p>  <p>Ø6x30 mm</p>	<p>C x 4</p>  <p>Ø7x50 mm</p>	<p>D x 4</p>  <p>Ø7x60 mm</p>	<p>E x 1</p>  <p>● 4 mm</p>
<p>F x 4</p>  <p>20 mm</p>	<p>G x 4</p>  <p>Ø15x12 mm</p>	<p>H x 8</p>  <p>Ø5x44 mm</p>	<p>I x 1</p>  <p>3,5x16 mm</p>	<p>J x 8</p>  <p>Ø6,3x13 mm</p>
<p>K x 4</p>  <p>4x9 mm</p>	<p>L x 8</p>  <p>Ø3x20 mm</p>	<p>M x 4</p>  <p>10x10 mm</p>	<p>N x 1</p> 	<p>O x 4</p>  <p>Ø 12x10 mm</p>
<p>P x 4</p>  <p>310 mm</p>	<p>Q x 4</p>  <p>20 mm</p>	<p>S x 4</p>  <p>14 mm</p>	<p>T x 1</p>  <p>● 5 mm</p>	
<p>U x 1</p> 	<p>V x 4</p>  <p>4x27 mm</p>	<p>W x 2</p> 		



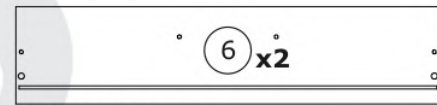
BOX 1/1:



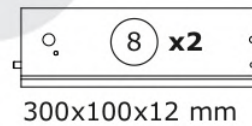
384x268x16 mm



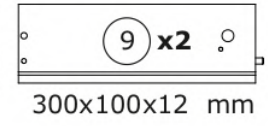
600x385x16 mm



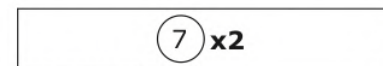
560x129x16 mm



300x100x12 mm



300x100x12 mm



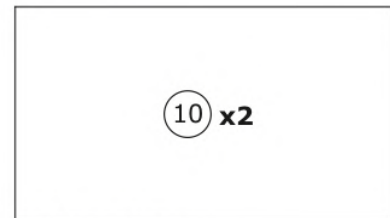
533x85x12 mm



384x268x16 mm



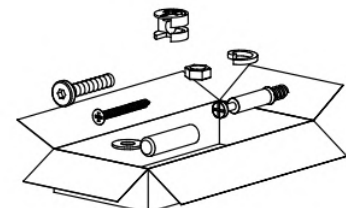
600x385x16 mm



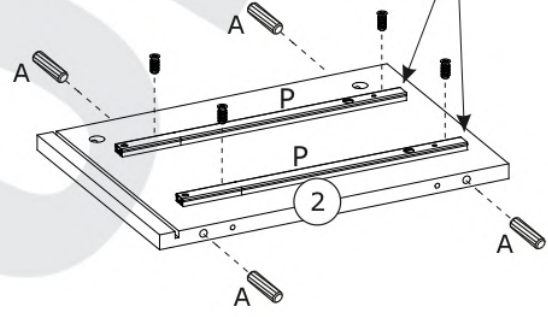
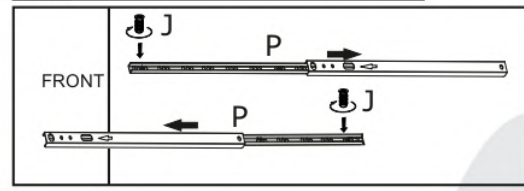
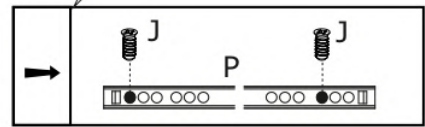
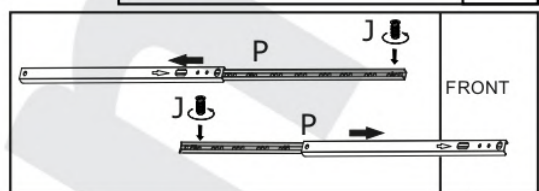
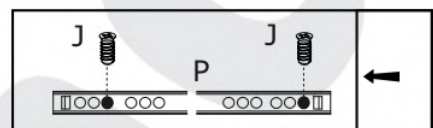
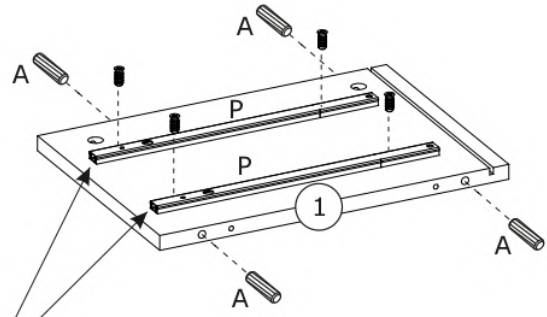
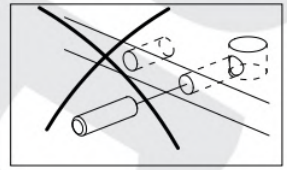
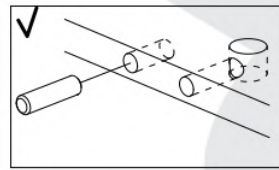
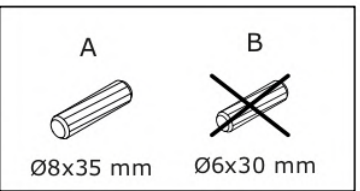
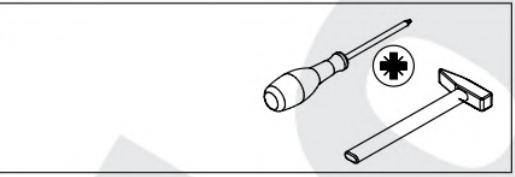
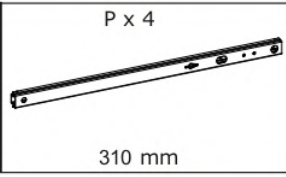
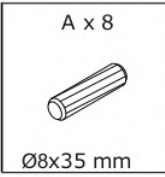
543x307x3 mm



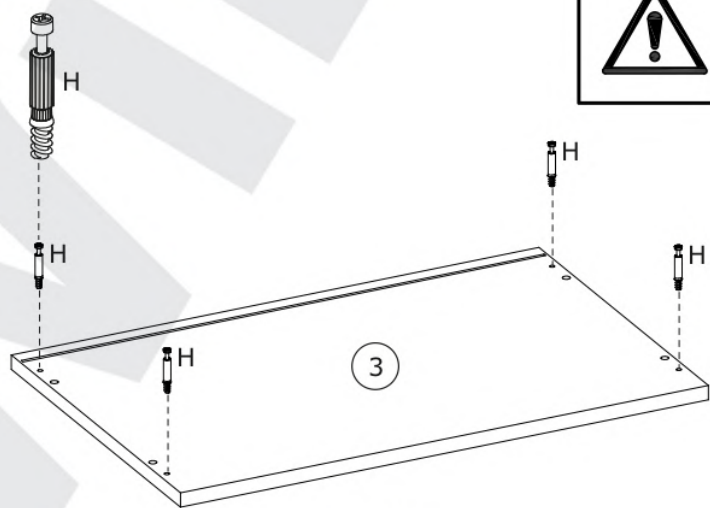
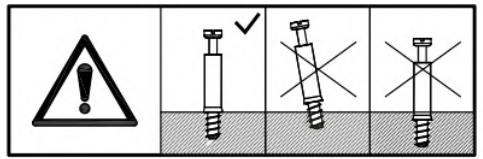
576x278x3 mm



1

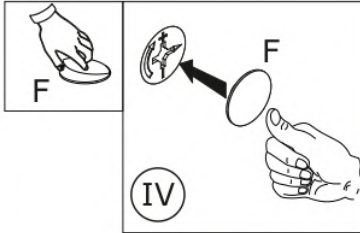
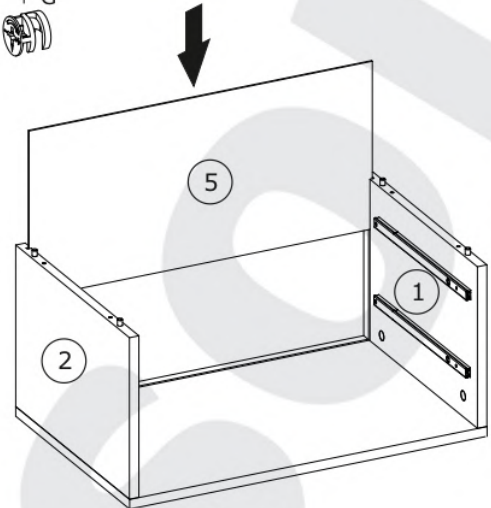
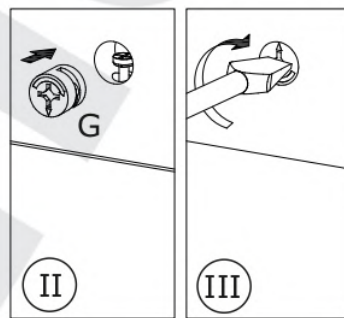
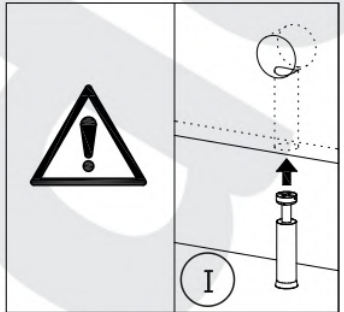
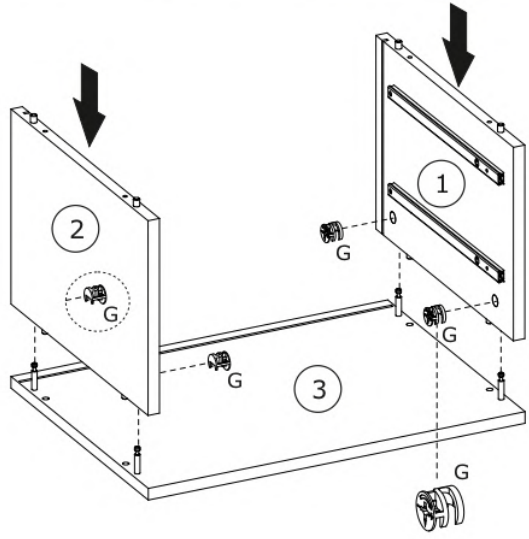


2





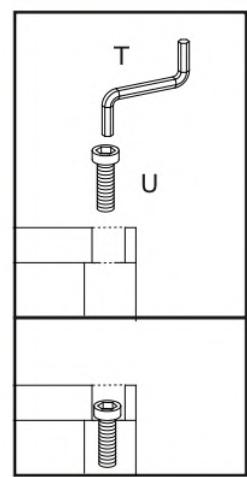
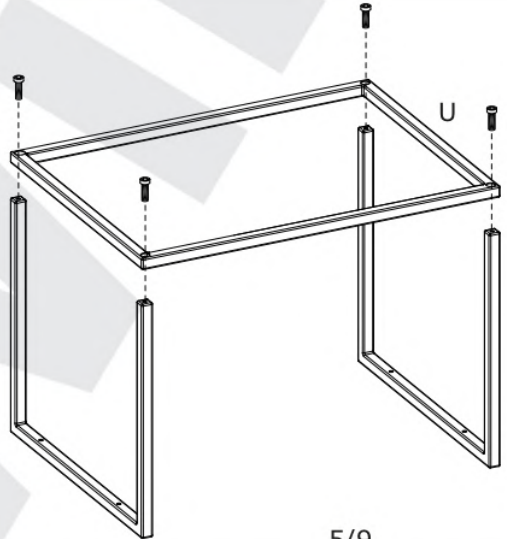
3

G x 4  Ø15x12 mm	F x 4  20 mm	
---	---	---



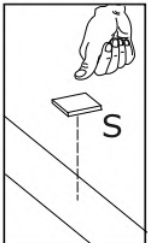
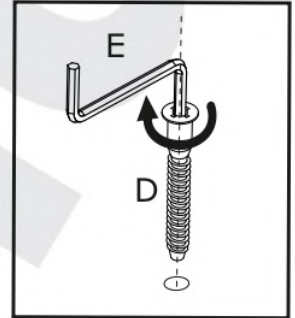
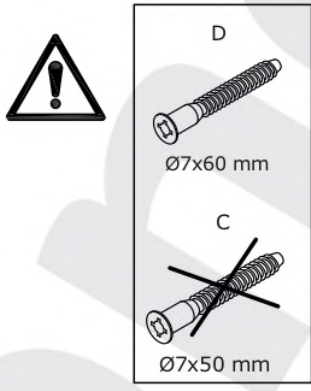
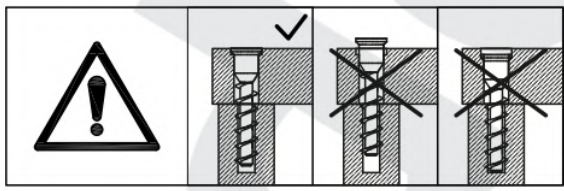
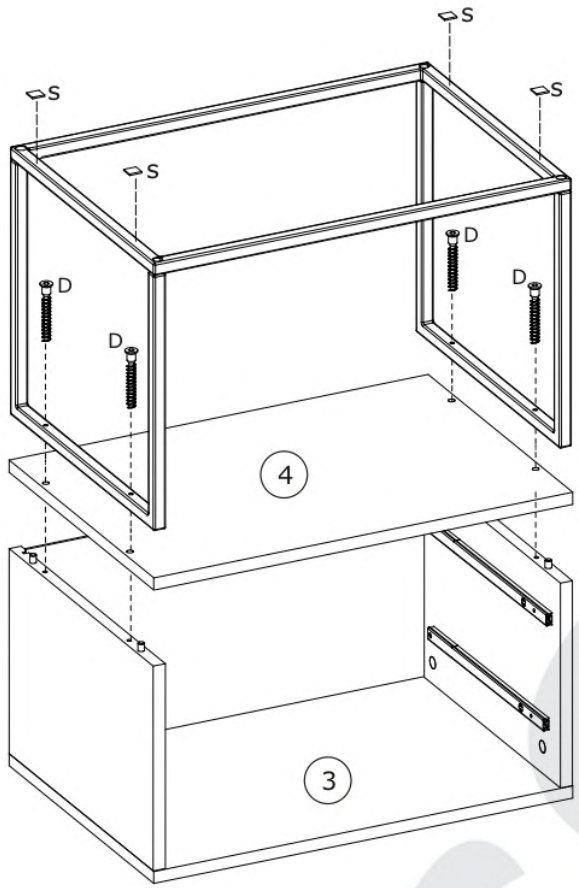
4

 U x 1	 T x 1 ● 5 mm	
---	--	--



5

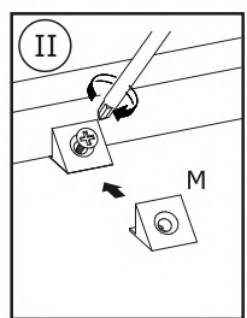
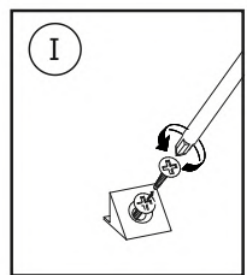
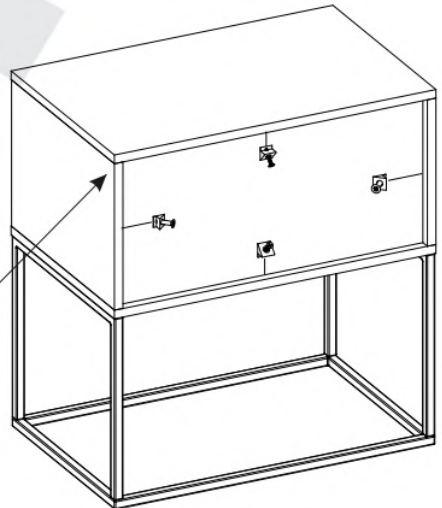
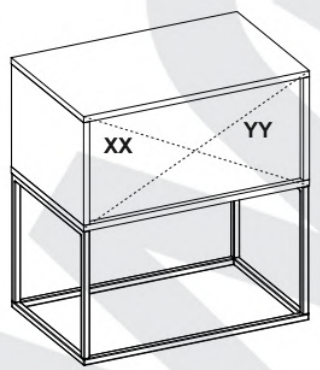
<p>D x 4</p>  <p>Ø7x60 mm</p>	<p>E x 1</p>  <p>● 4 mm</p>	<p>S x 4</p>  <p>14 mm</p>	
--	--	---	--



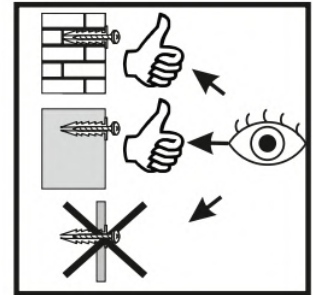
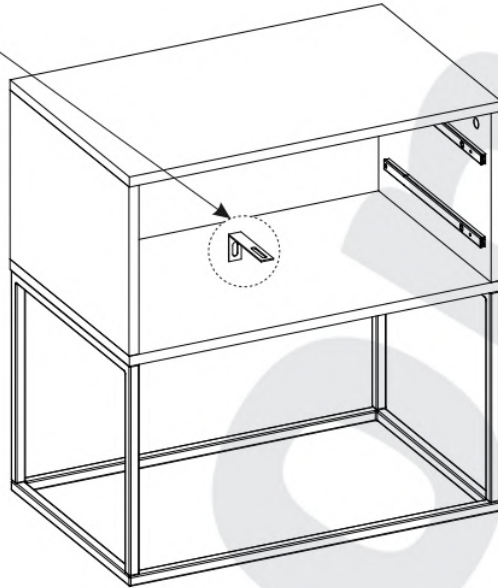
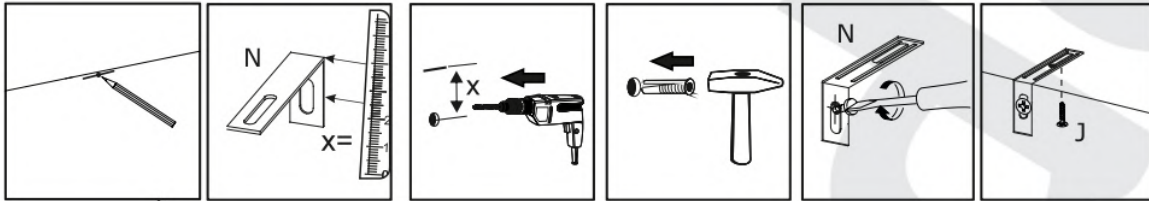
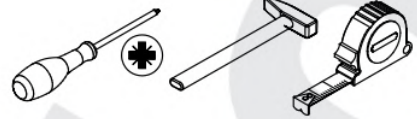
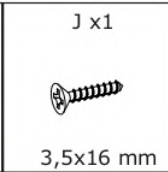
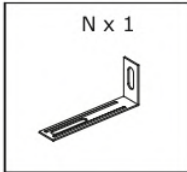
6

<p>M x 4</p>  <p>10x10 mm</p>		 
--	--	---

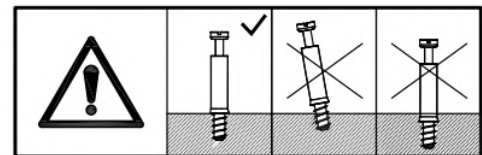
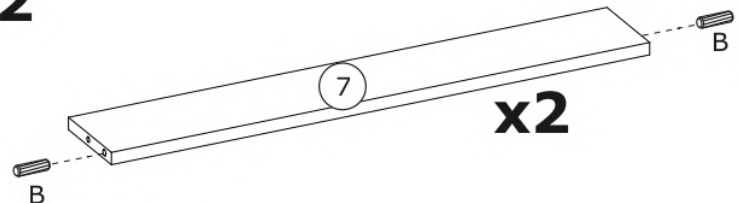
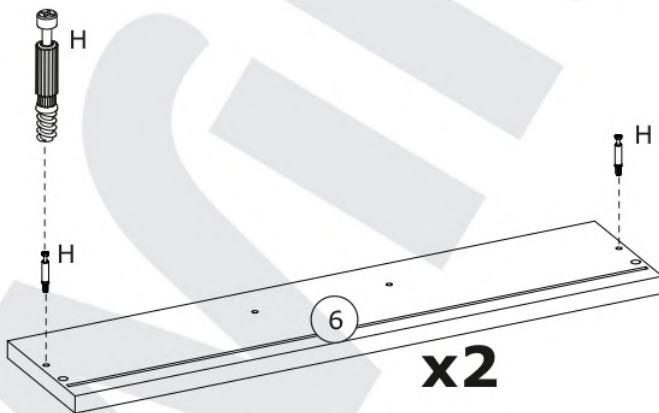
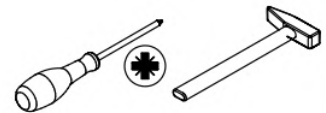
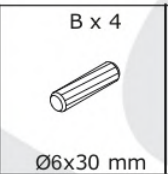
! $XX = YY \cong 90^\circ$



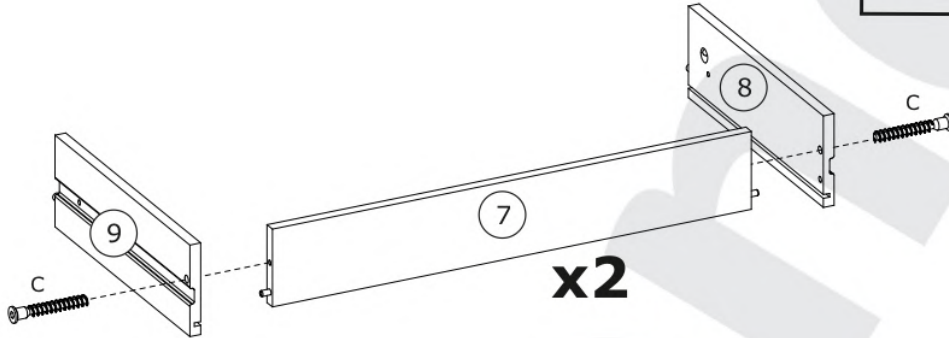
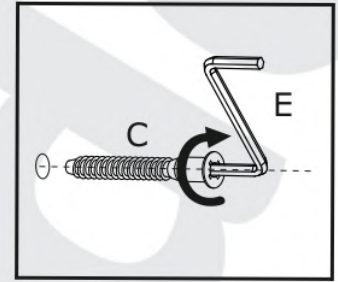
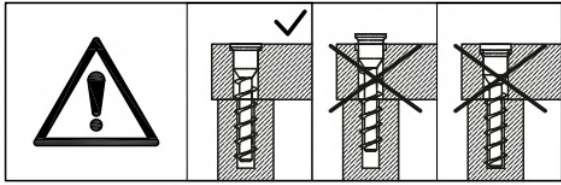
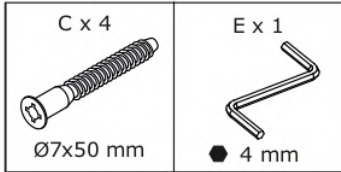
7



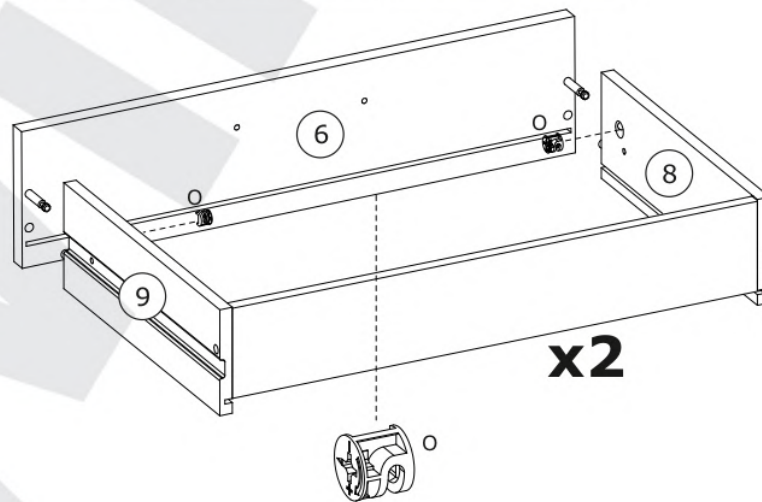
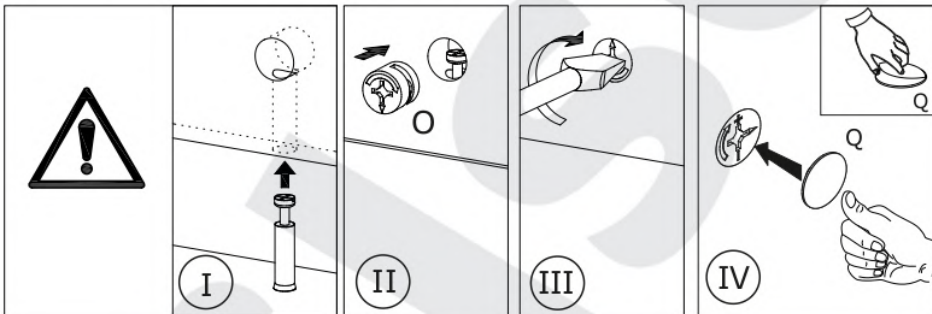
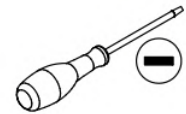
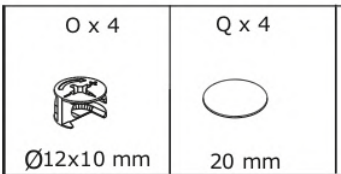
8







9

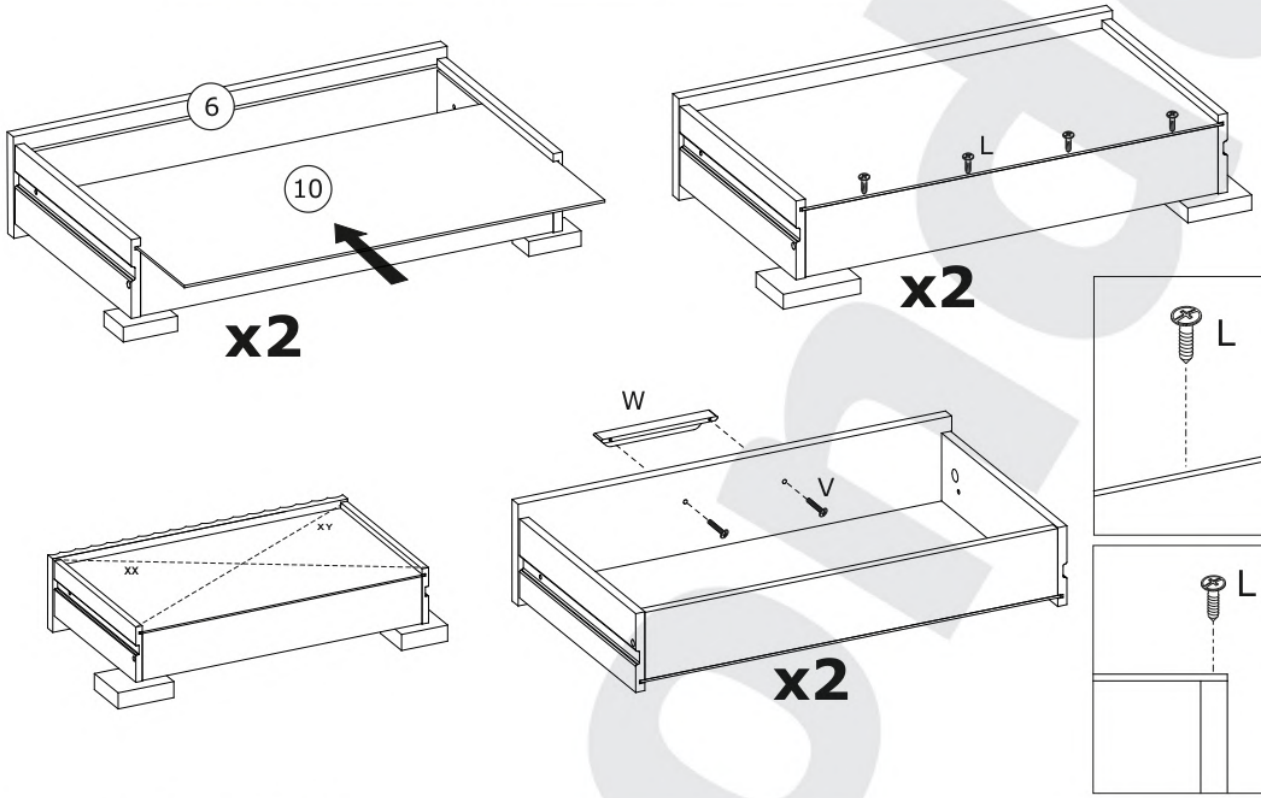


10



11

L x 8  Ø3x20 mm	V x 4  4x27mm	W x 2 	
--	--	--	---



12

K x 4  4x9 mm	
--	---

