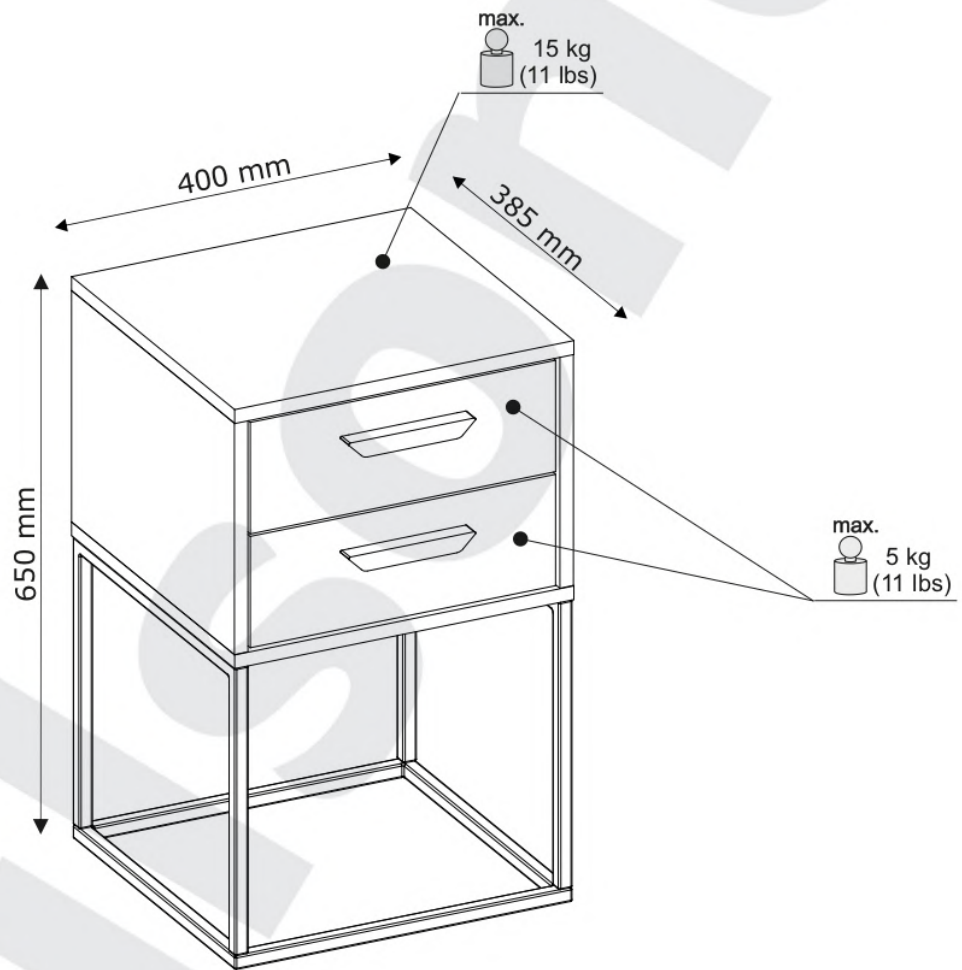
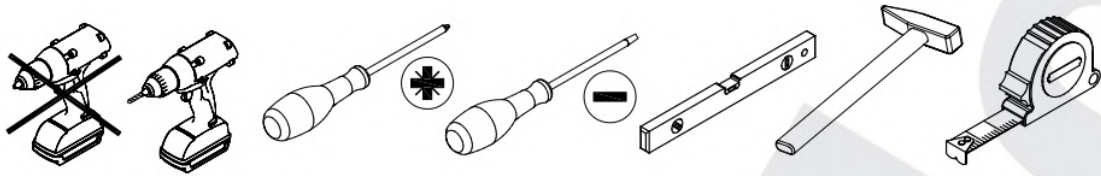
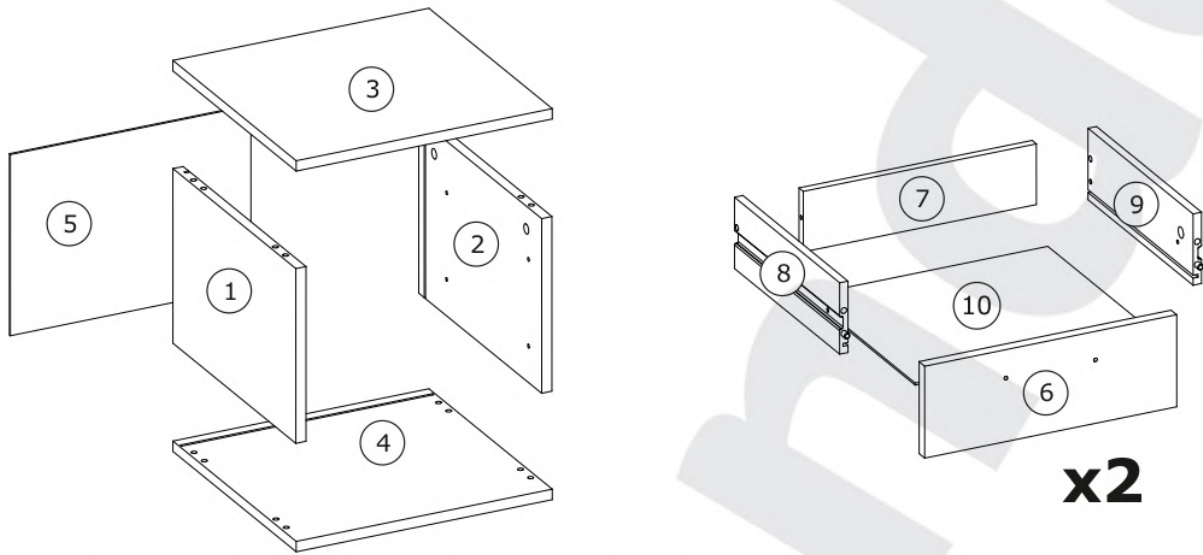


# 3019996

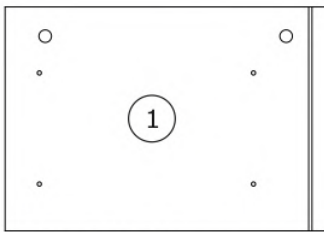




<p>A x 8</p>  <p>Ø8x35 mm</p>	<p>B x 4</p>  <p>Ø6x30 mm</p>	<p>C x 4</p>  <p>Ø7x50 mm</p>	<p>D x 4</p>  <p>Ø7x60 mm</p>	<p>E x 1</p>  <p>● 4 mm</p>
<p>F x 4</p>  <p>20 mm</p>	<p>G x 4</p>  <p>Ø15x12 mm</p>	<p>H x 8</p>  <p>Ø5x44 mm</p>	<p>I x 1</p>  <p>3,5x16 mm</p>	<p>J x 8</p>  <p>Ø6,3x13 mm</p>
<p>K x 4</p>  <p>4x9 mm</p>	<p>L x 6</p>  <p>Ø3x20 mm</p>	<p>M x 4</p>  <p>10x10 mm</p>	<p>N x 1</p> 	<p>O x 4</p>  <p>Ø 12x10 mm</p>
<p>P x 4</p>  <p>310 mm</p>	<p>Q x 4</p>  <p>20 mm</p>	<p>S x 4</p>  <p>14 mm</p>	<p>T x 1</p>  <p>● 5 mm</p>	
<p>U x 1</p> 	<p>V x 4</p>  <p>4x27 mm</p>	<p>W x 2</p> 		



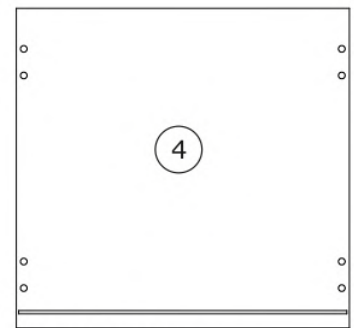
**BOX 1/1:**



384x268x16 mm



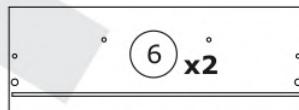
400x385x16 mm



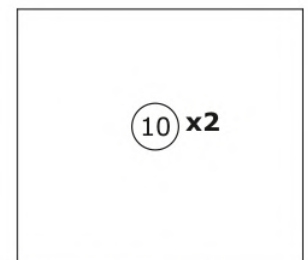
400x385x16 mm



384x268x16 mm



360x129x16 mm



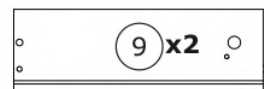
343x307x3 mm



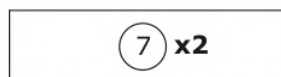
376x278x3 mm



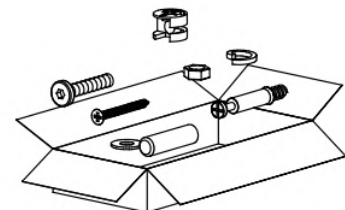
300x100x12 mm



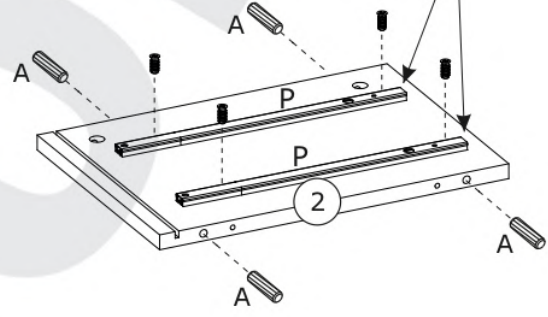
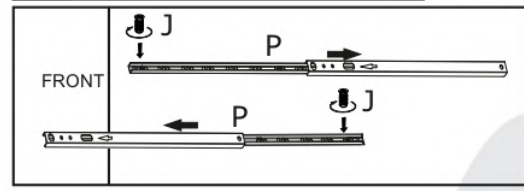
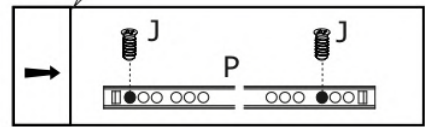
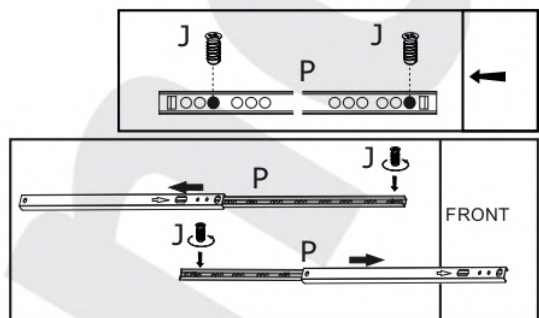
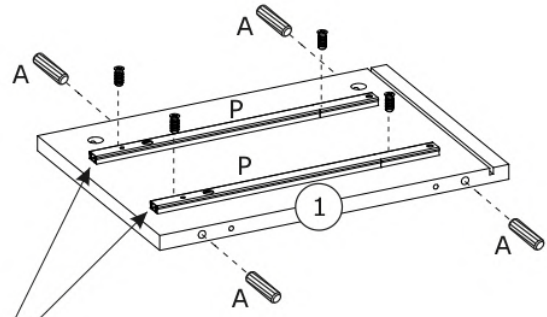
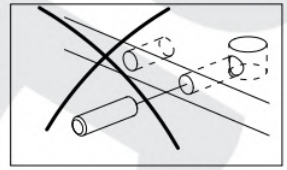
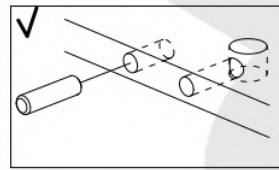
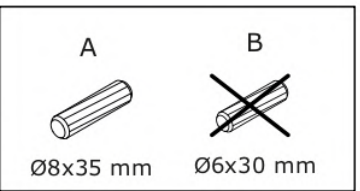
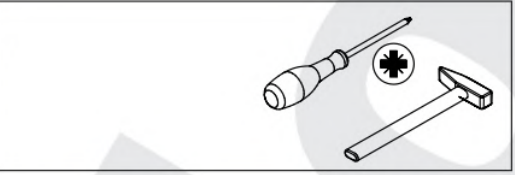
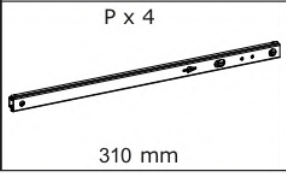
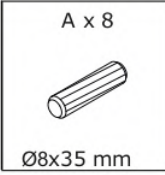
300x100x12 mm



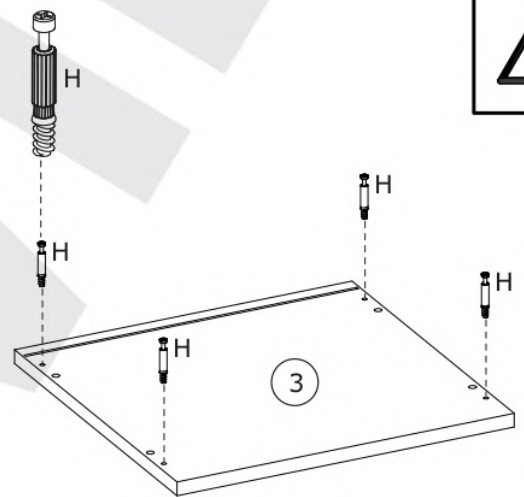
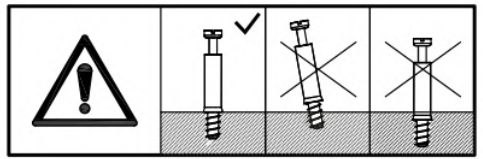
333x85x12 mm



1



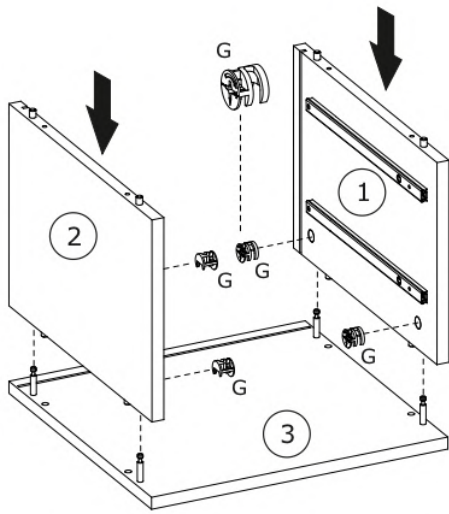
2





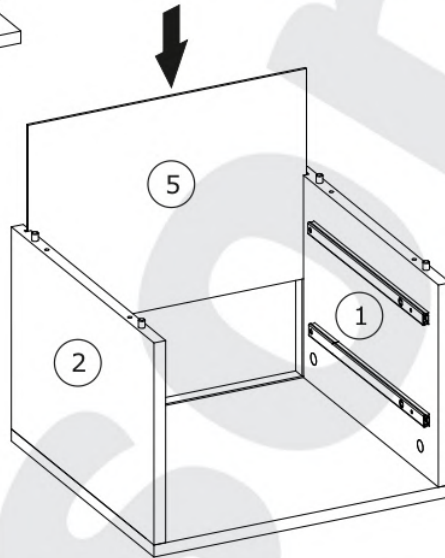
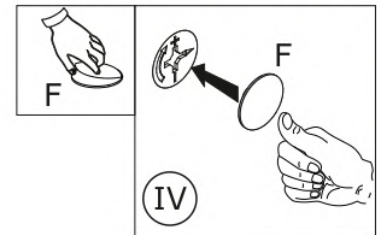
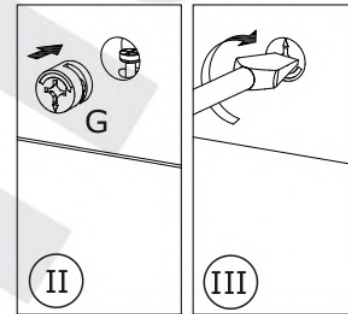
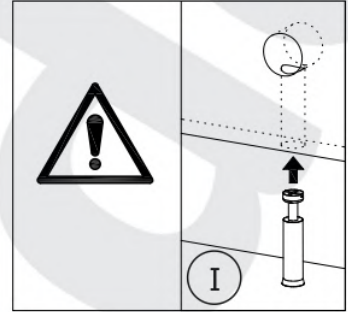


3



G x 4  Ø15x12 mm	F x 4  20 mm	
---	---	---

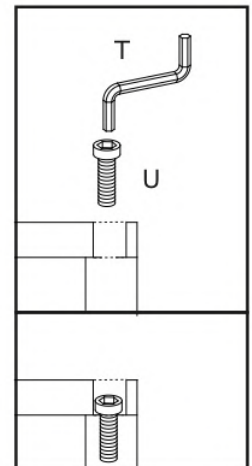
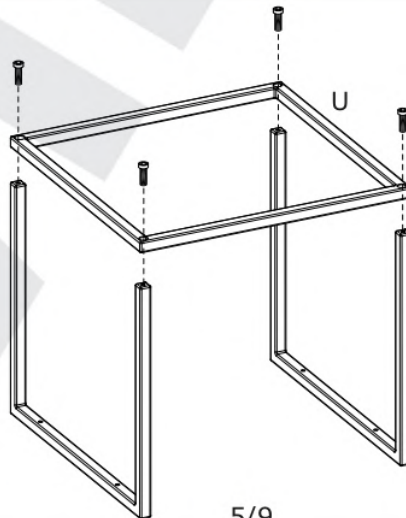


G  Ø15x12 mm
O  Ø12x10 mm



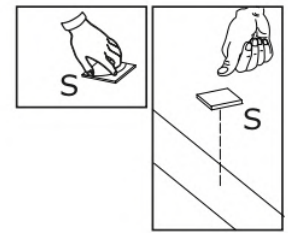
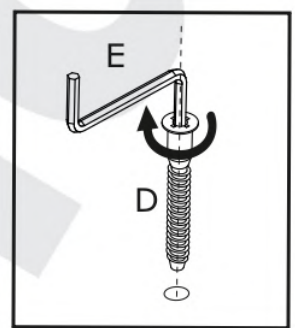
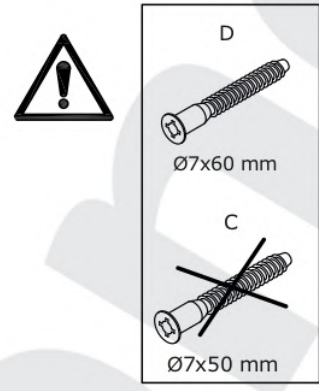
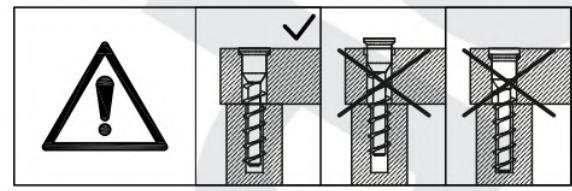
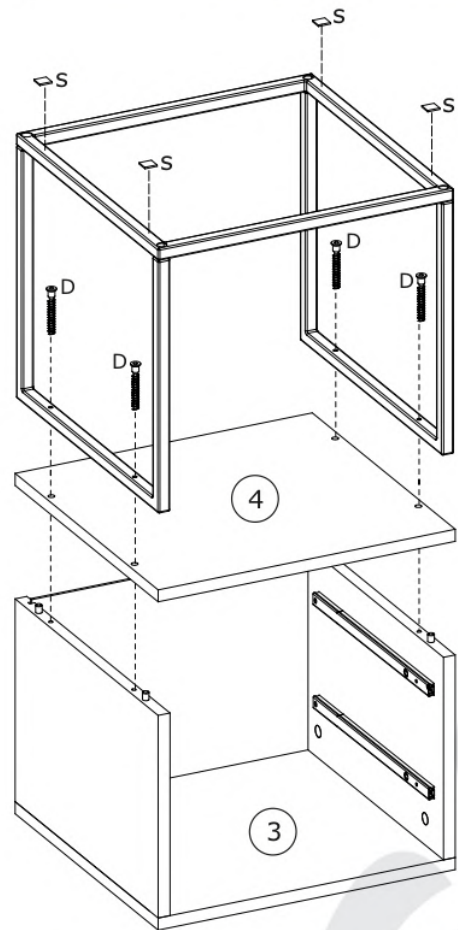
4

 U x 1	 T x 1 ● 5 mm
--	--



5

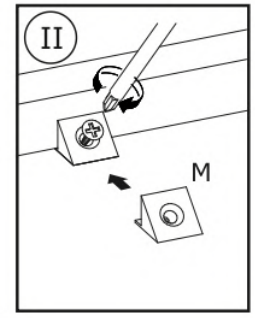
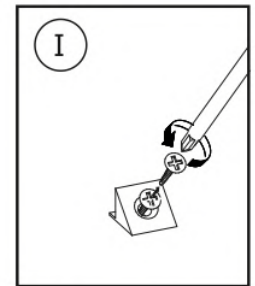
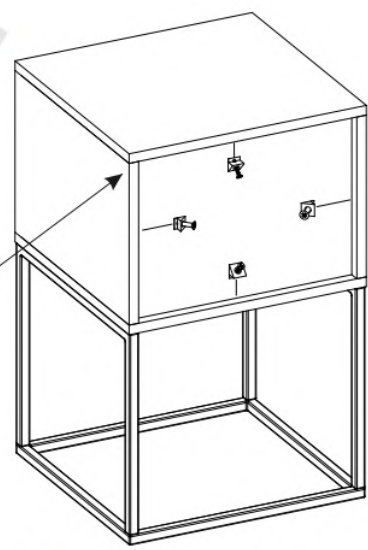
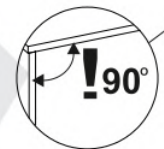
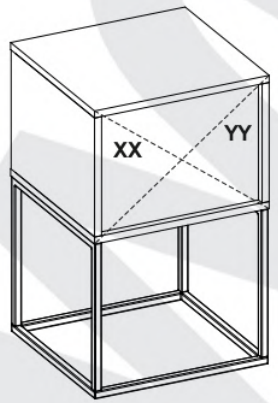
D x 4 Ø7x60 mm	E x 1 ● 4 mm	S x 4 14 mm	
-------------------	-----------------	----------------	--



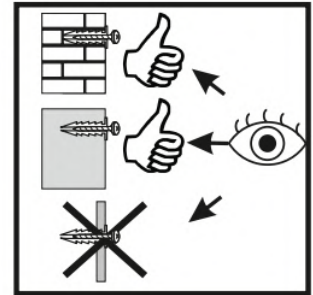
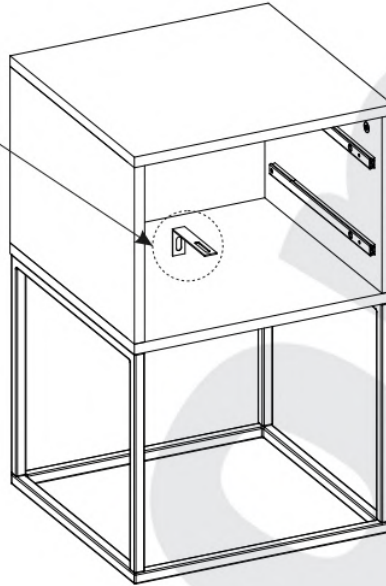
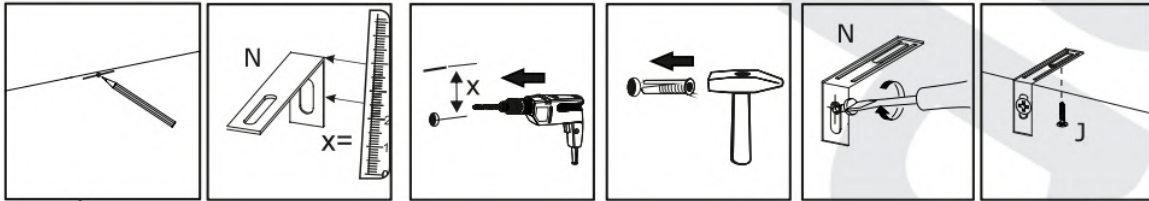
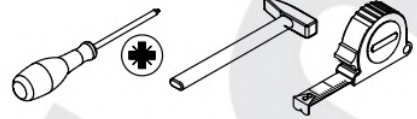
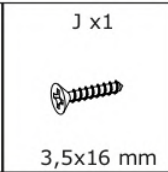
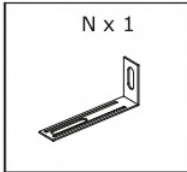
6

M x 4 10x10 mm		
-------------------	--	--

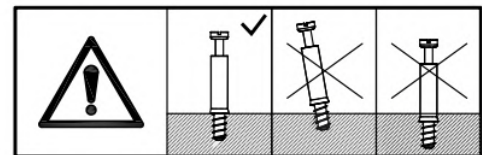
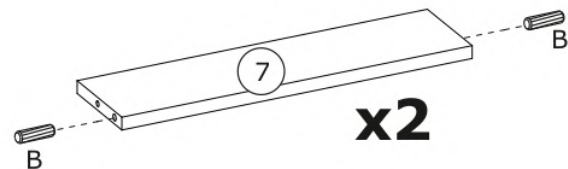
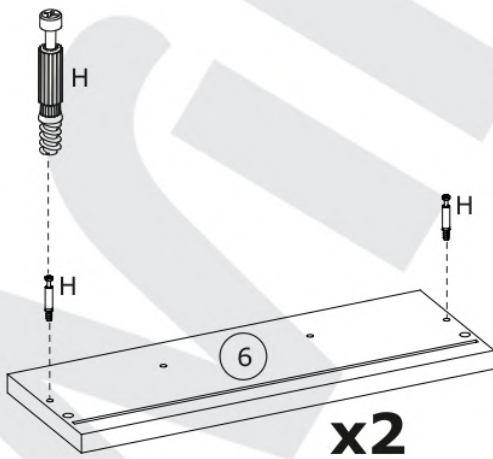
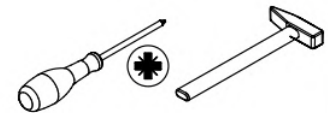
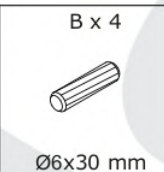
**!**  $XX = YY = 90^\circ$



7

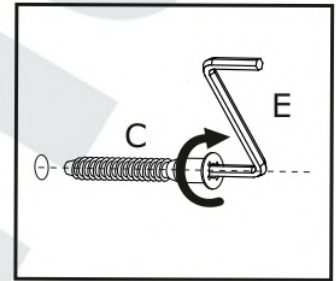
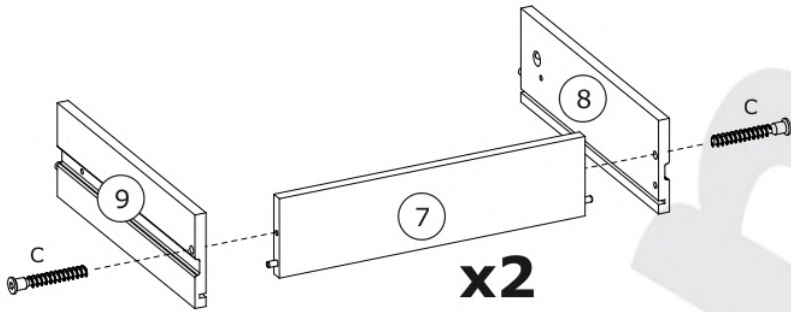
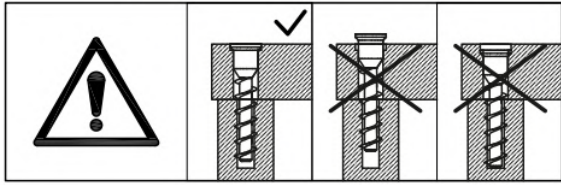
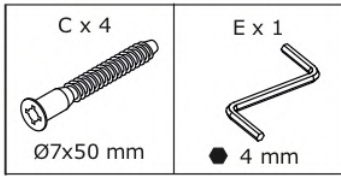


8

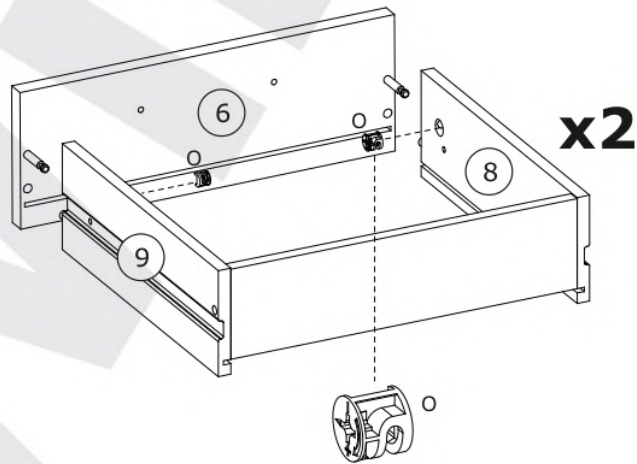
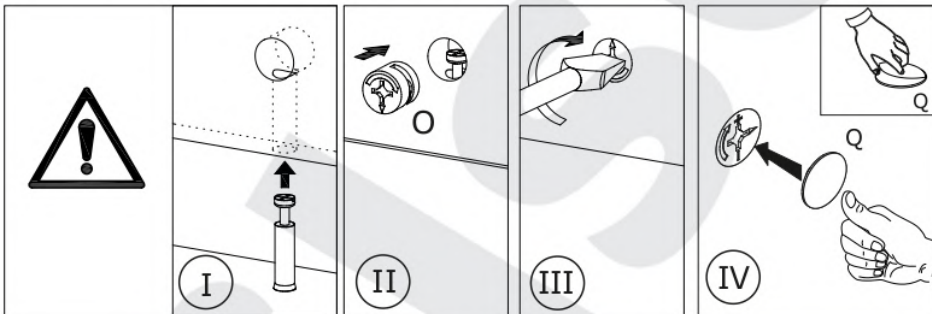
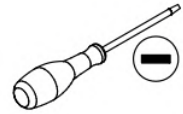
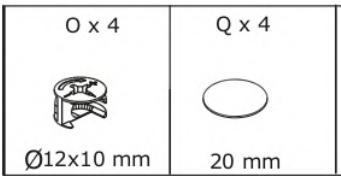




9







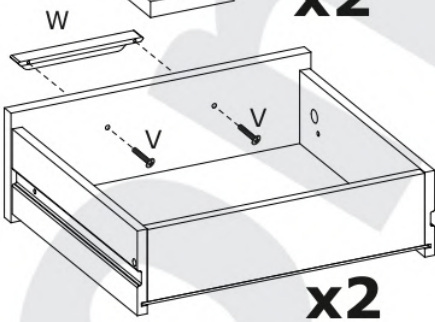
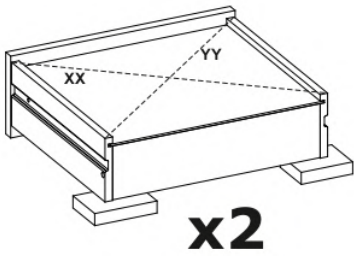
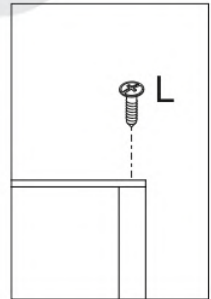
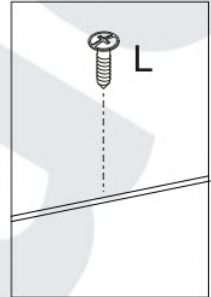
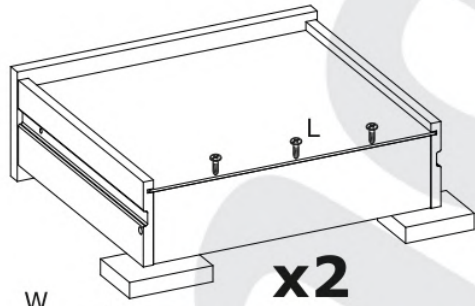
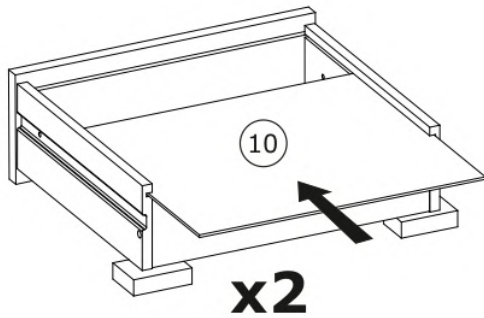
10





11

L x 6  Ø3x20 mm	V x 4  4x27mm	W x 2 	
--	--	--	---



12

K x 4  4x9 mm	
--	---

