

W3		x...(1)	G17		4x40	x...(4)
----	--	---------	-----	--	------	---------

K3		10x50	x...(20)
----	--	-------	----------

M5		8x35	x...(4)
----	--	------	---------

G1		6	x...(1)
----	--	---	---------

G2		4	x...(1)
----	--	---	---------

N1		6x13	x...(20)
----	--	------	----------

P1		x...(4)
----	--	---------

M3		x...(8)
----	--	---------

N5		x...(2)
----	--	---------

N22		M5x25	x...(2)
-----	--	-------	---------

N24		M8x40	x...(6)
-----	--	-------	---------

N7		x...(4)
----	--	---------

N13		ø8x70	x...(4)
-----	--	-------	---------

P8		x...(4)
----	--	---------

P7		x...(2)
----	--	---------

N23		M8x20	x...(14)
-----	--	-------	----------

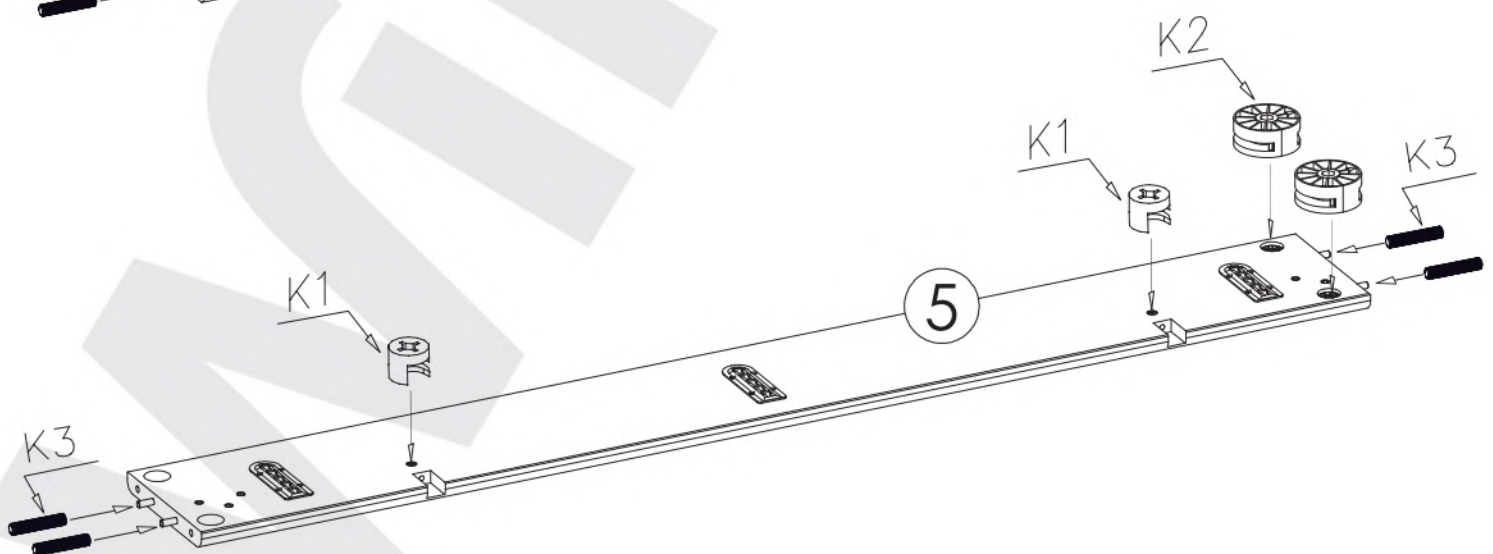
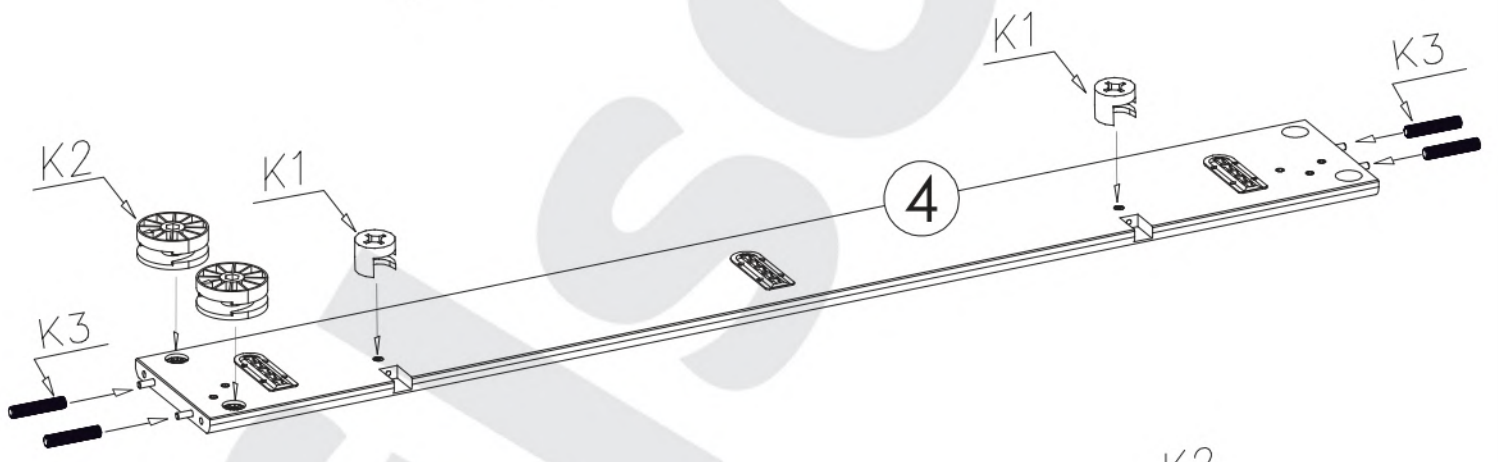
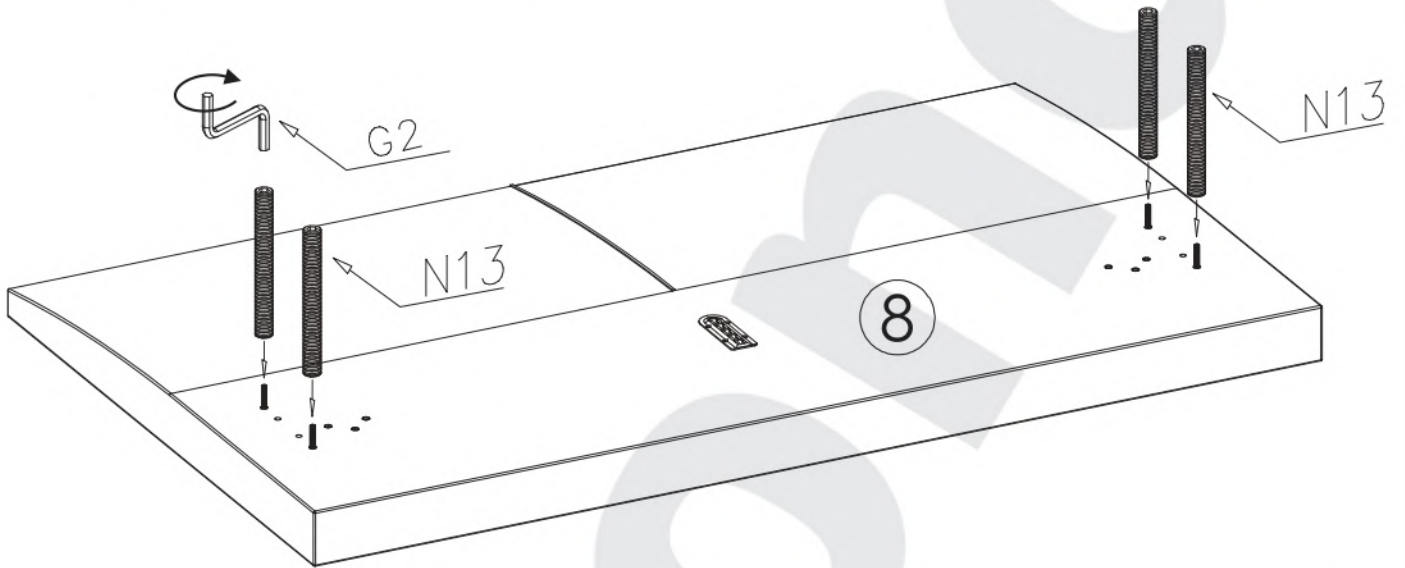
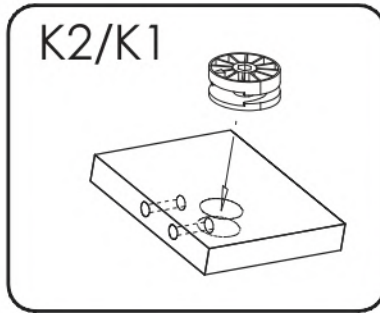
K2		x...(12)
----	--	----------

K7		x...(4)
----	--	---------

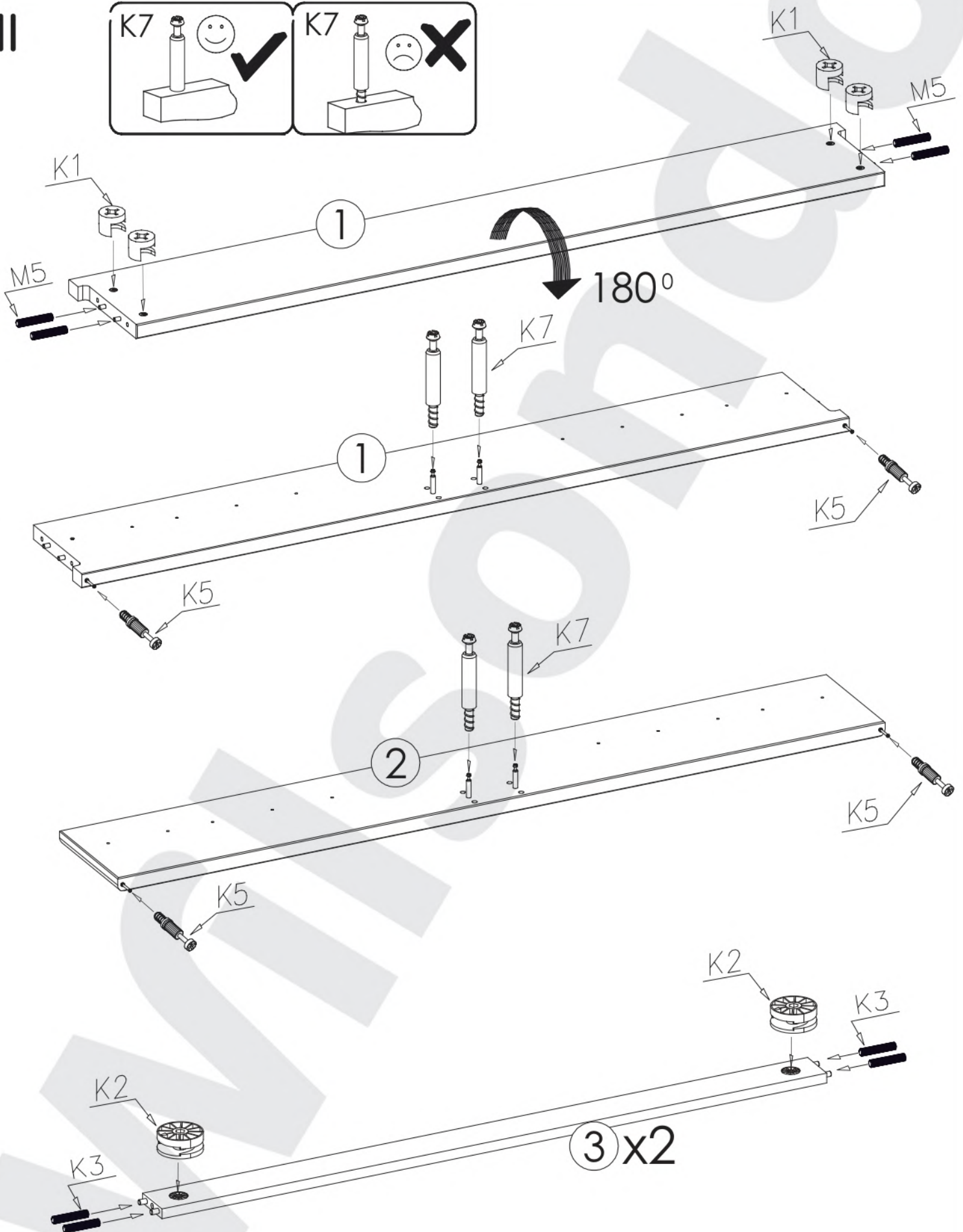
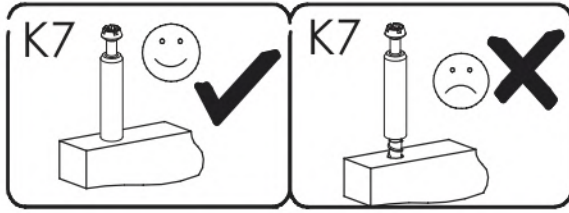
K8		x...(8)
----	--	---------

K1		x...(8)
----	--	---------

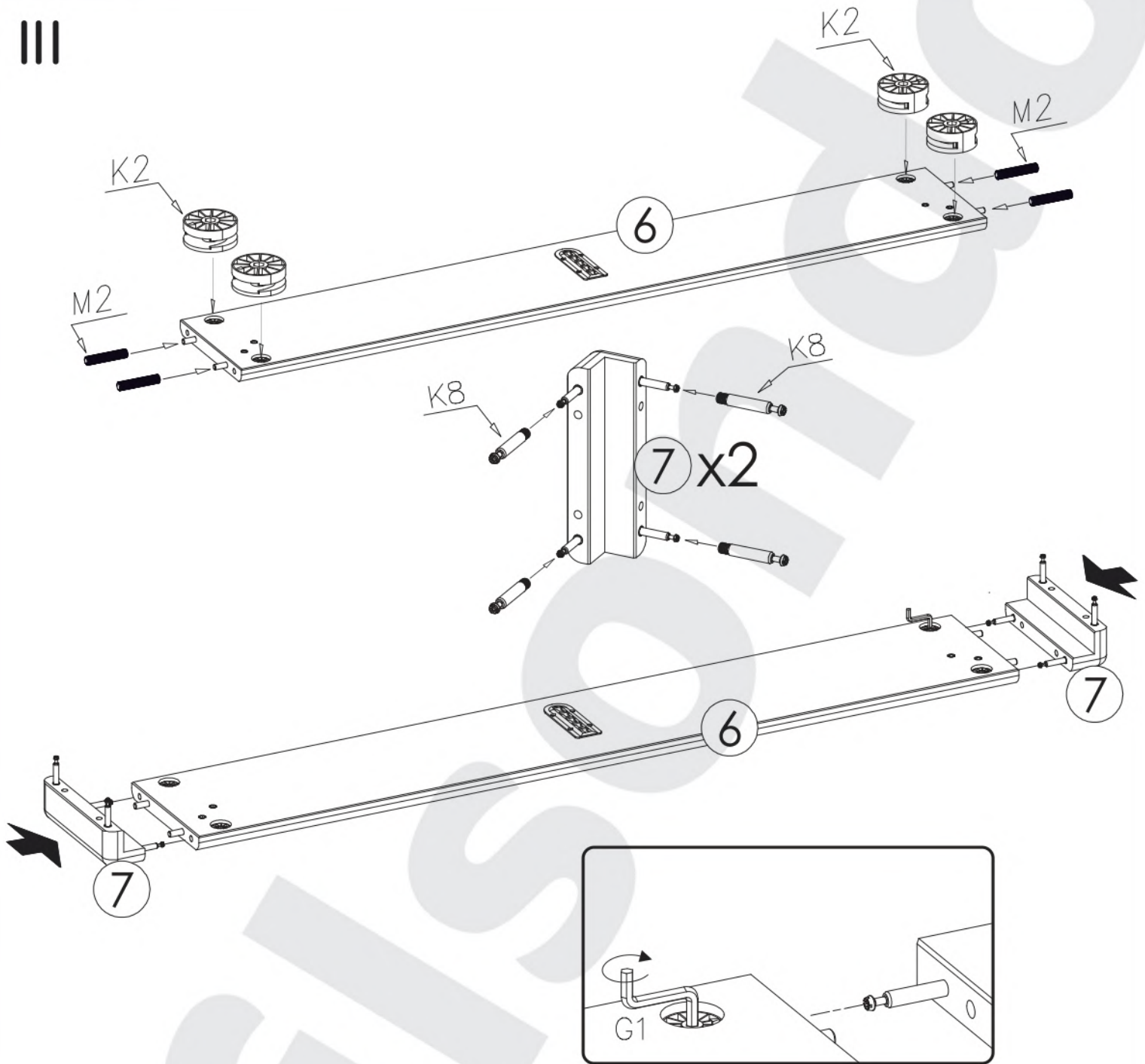
K5		x...(8)
----	--	---------



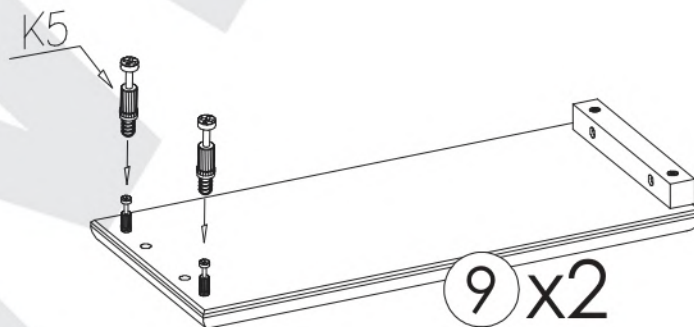
II



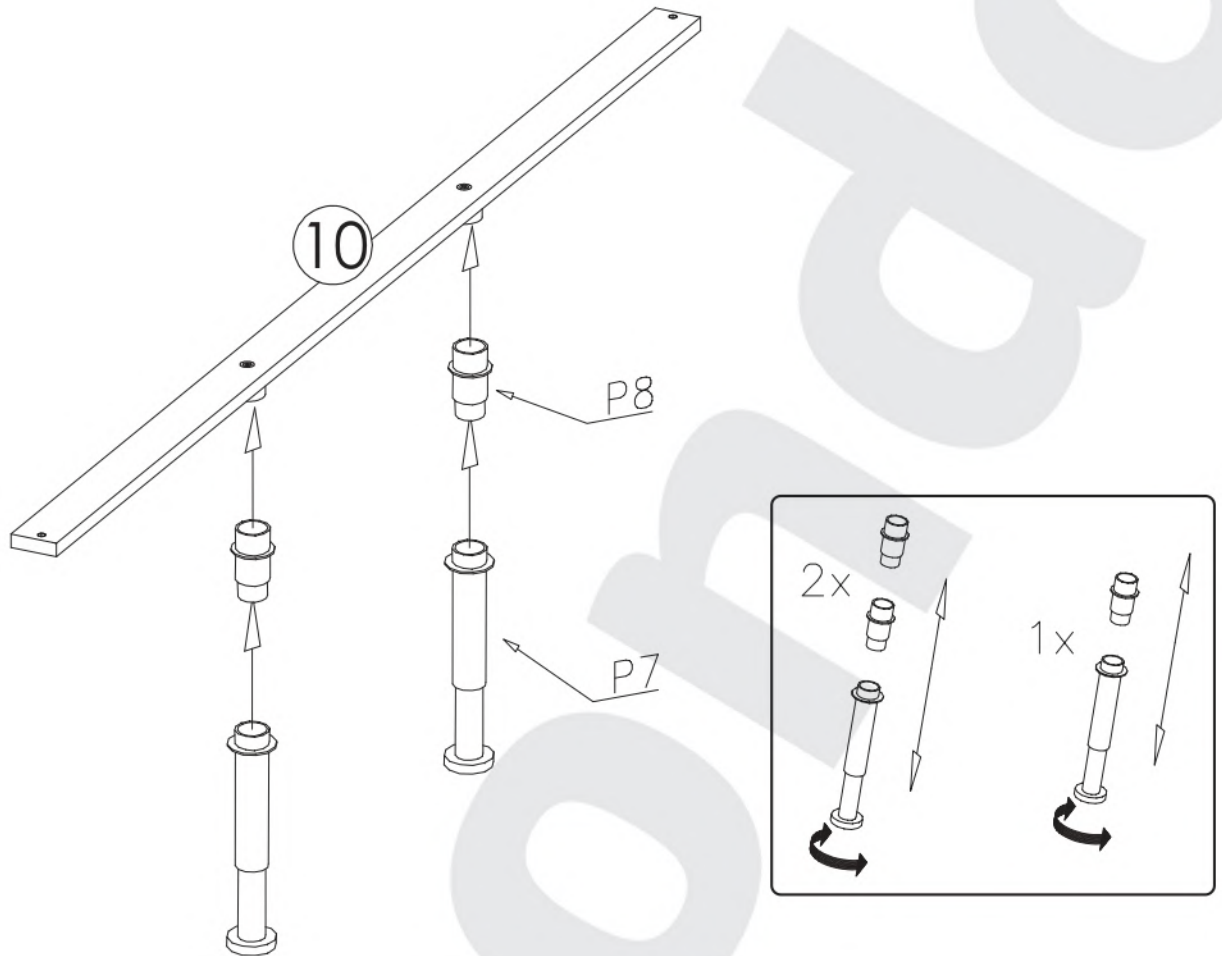
III



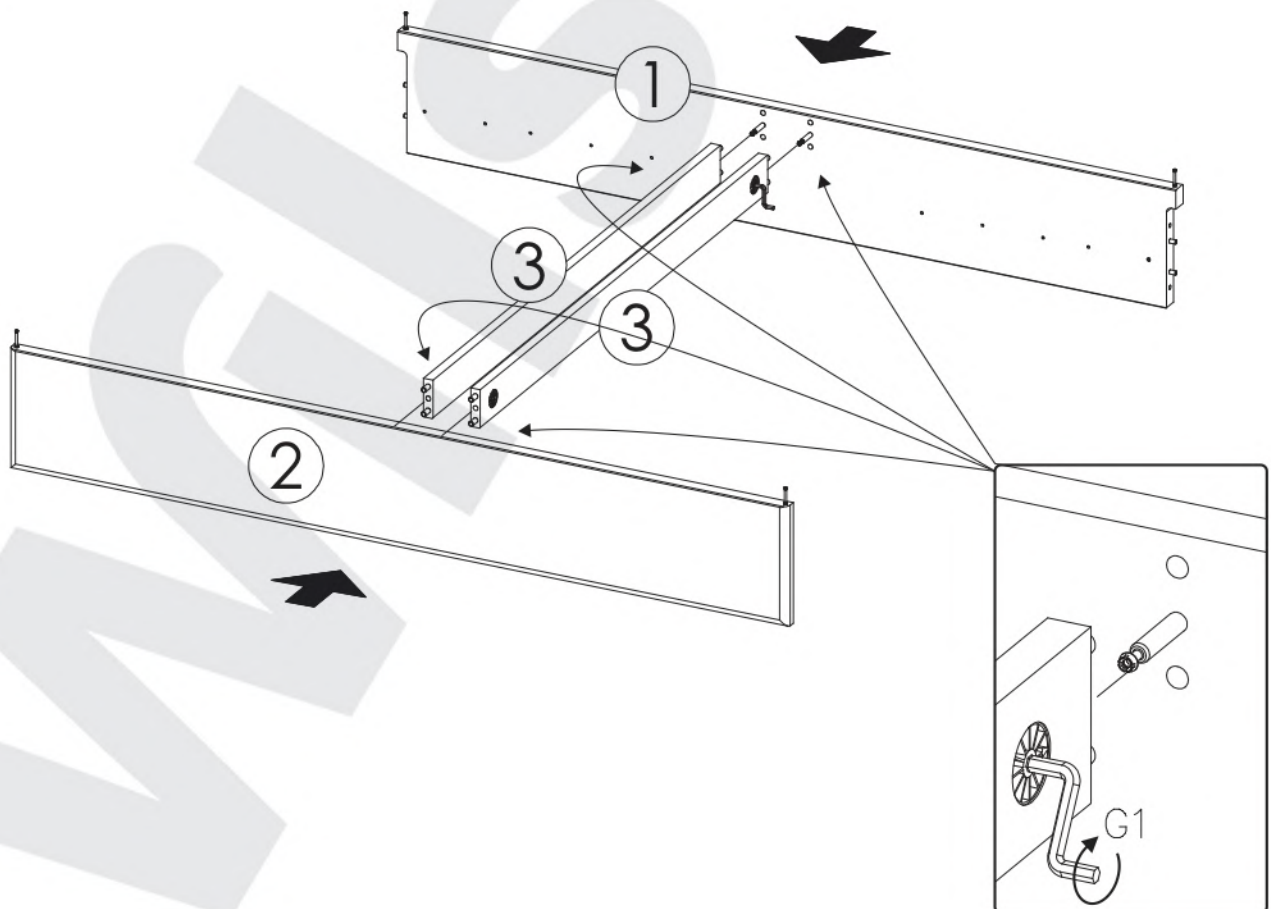
IV



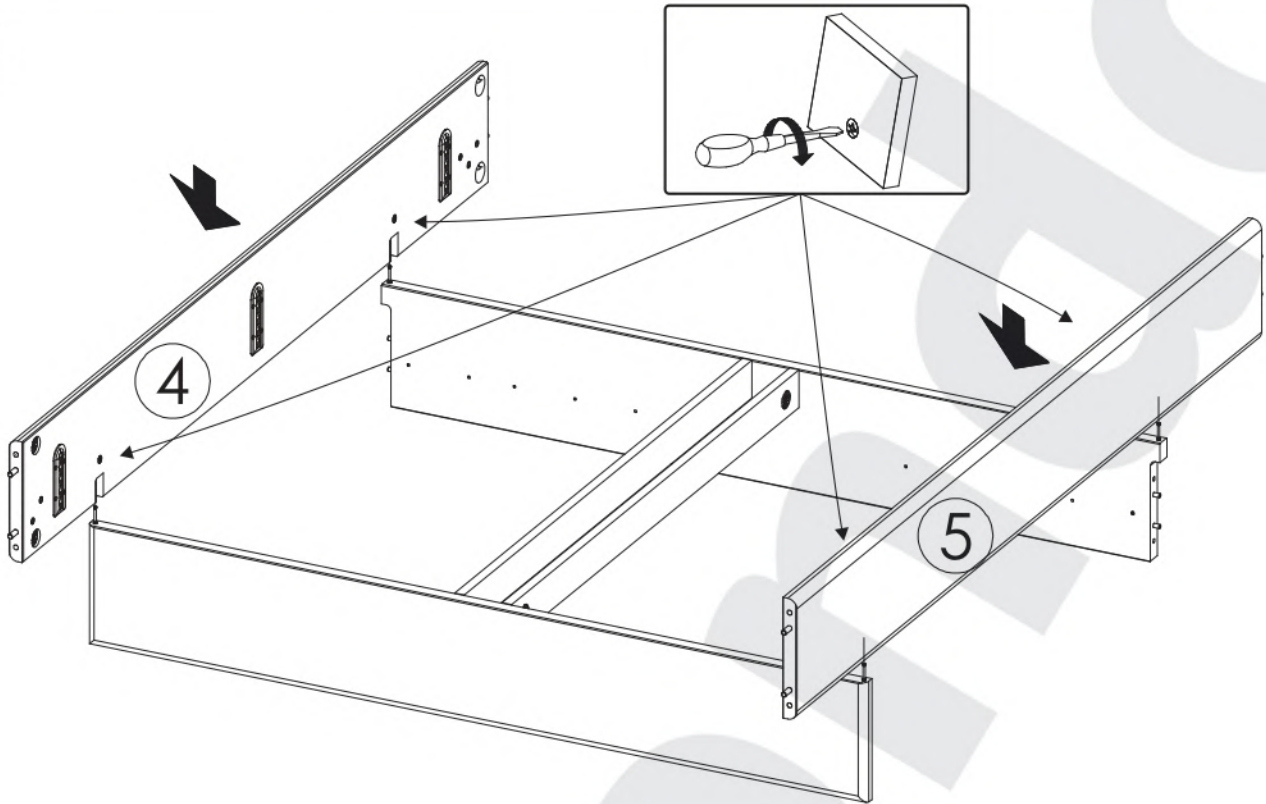
V



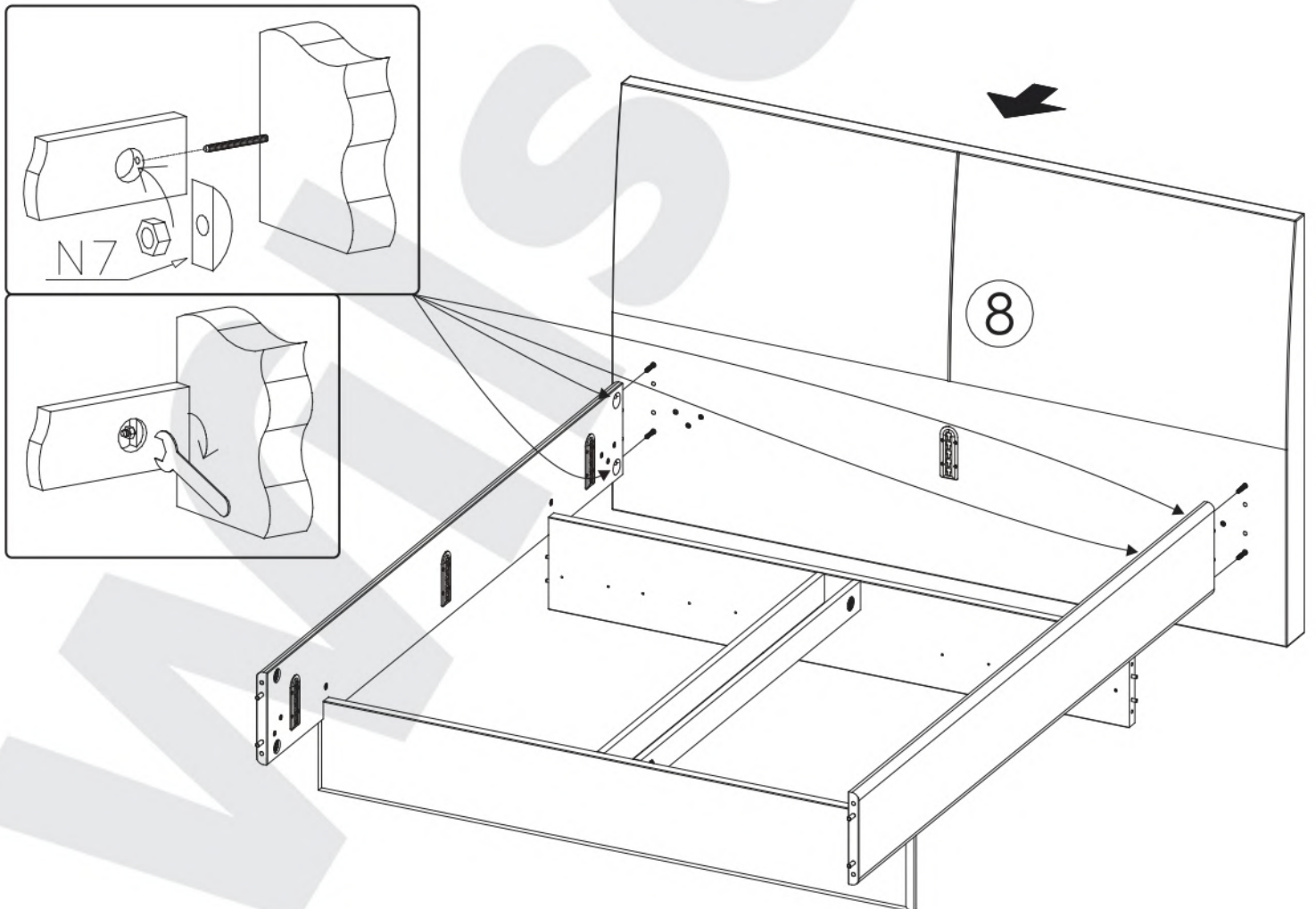
VI



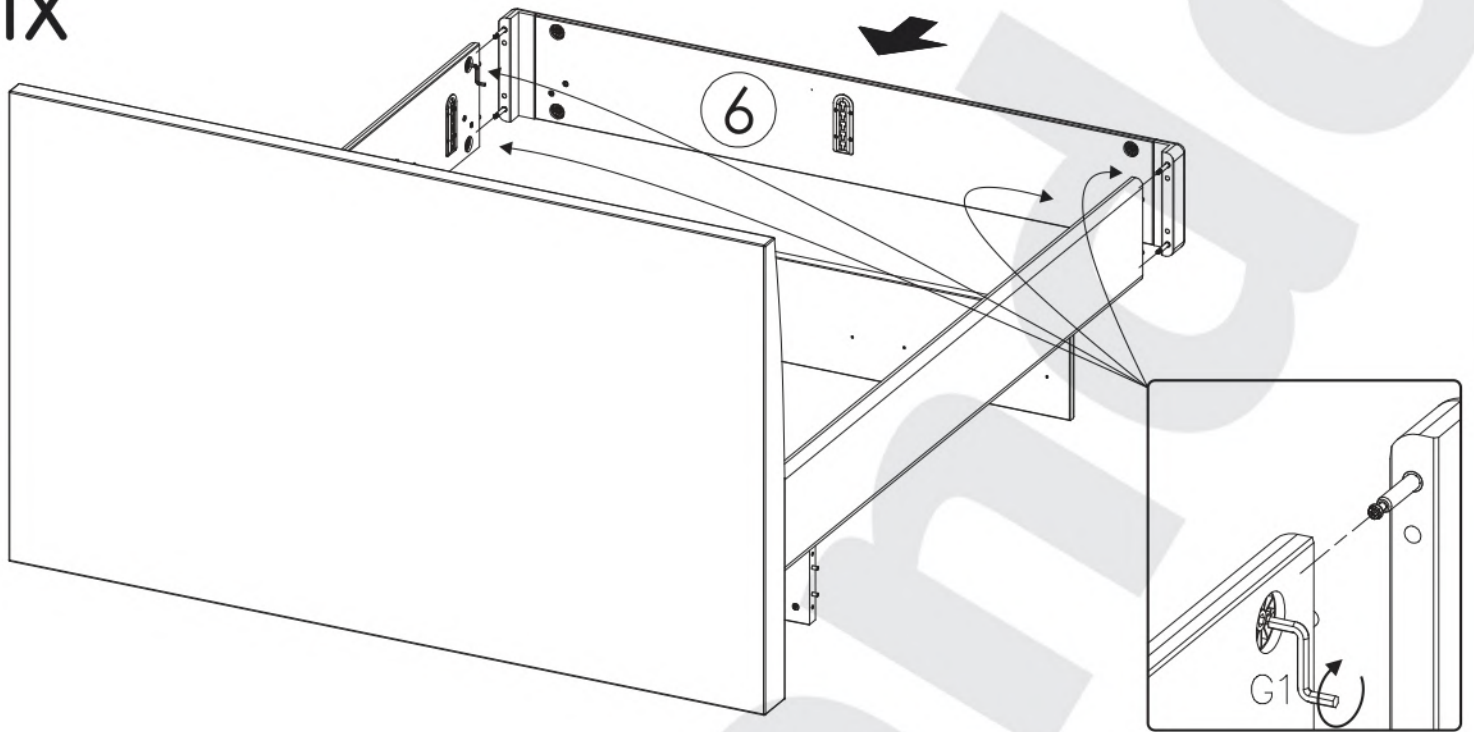
VII



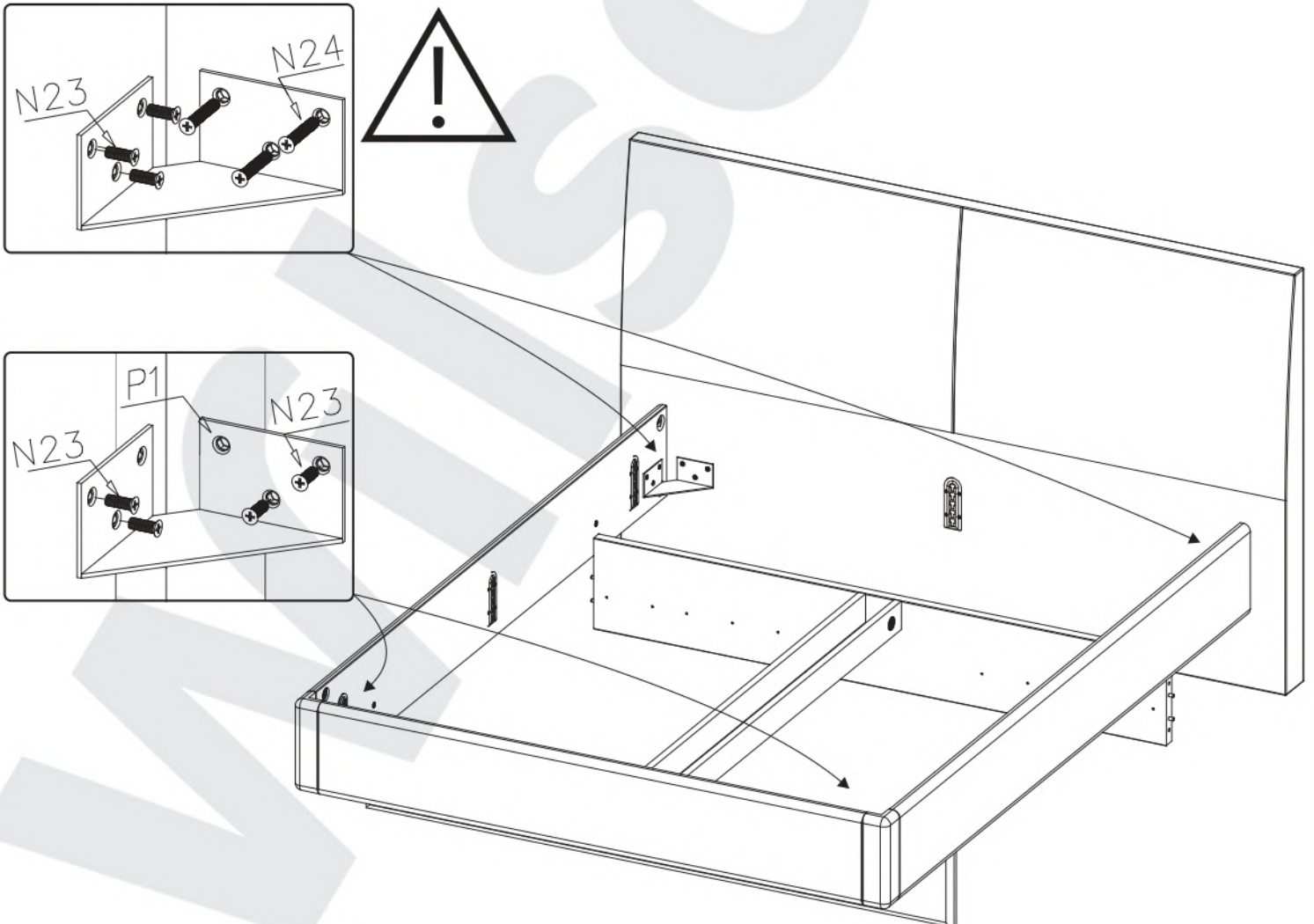
VIII



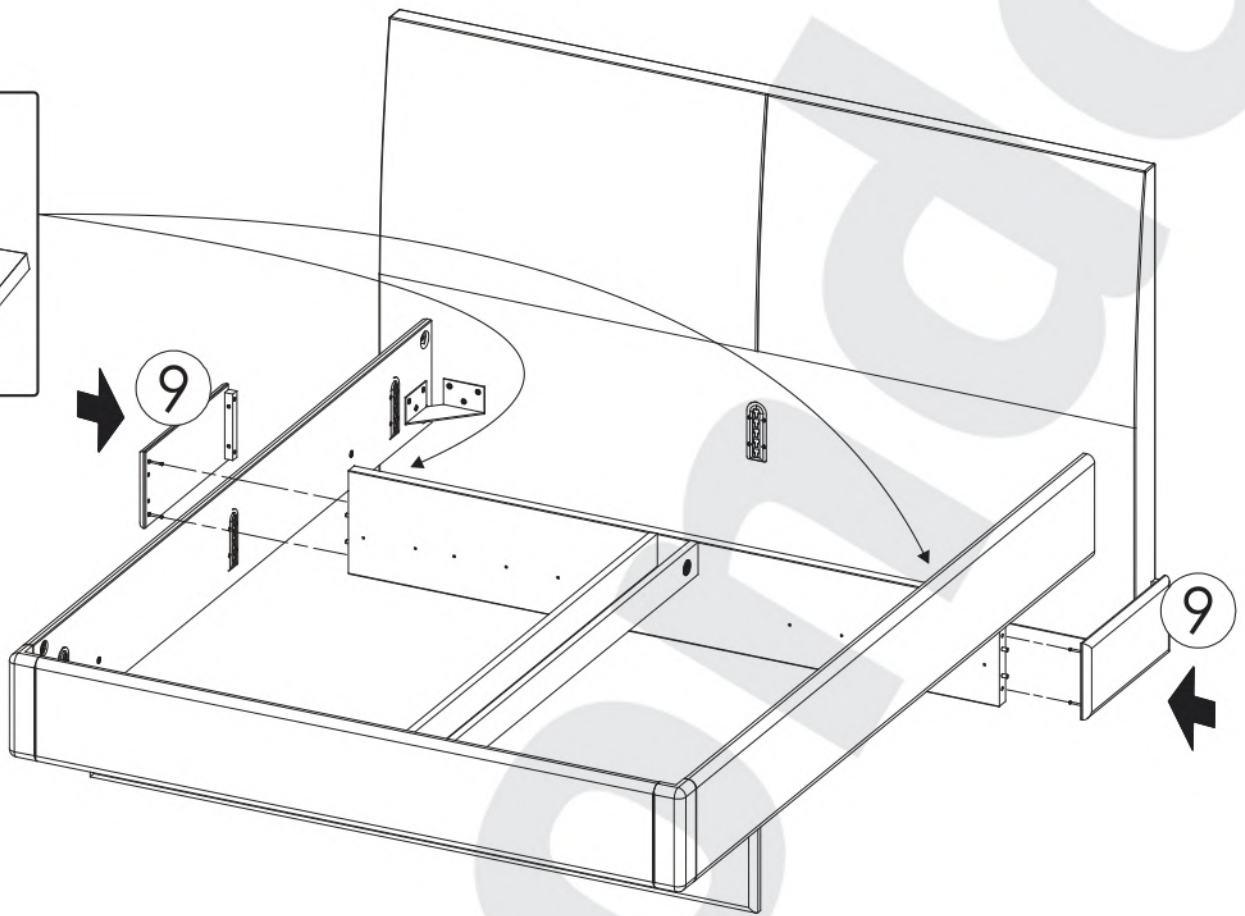
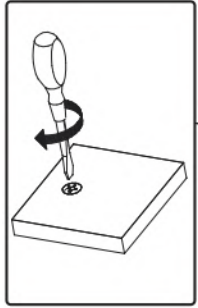
IX



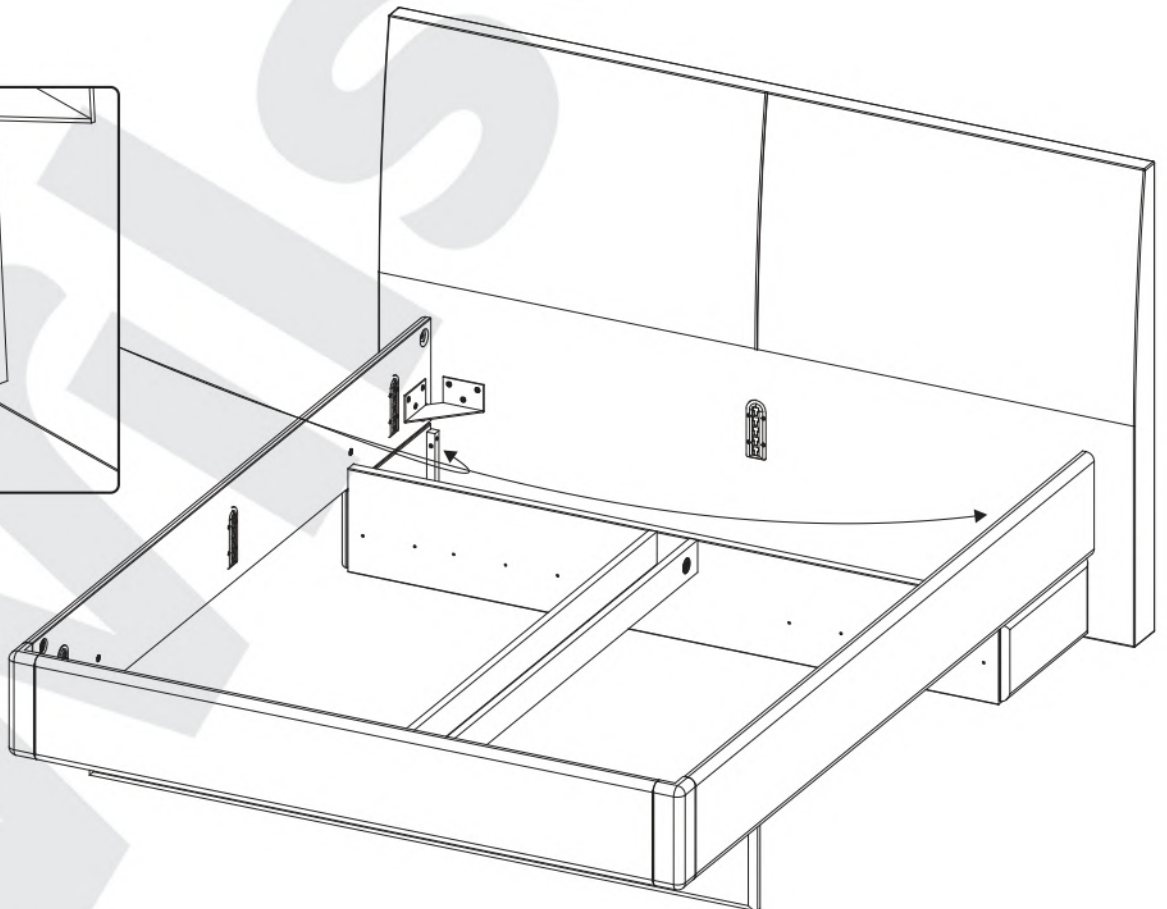
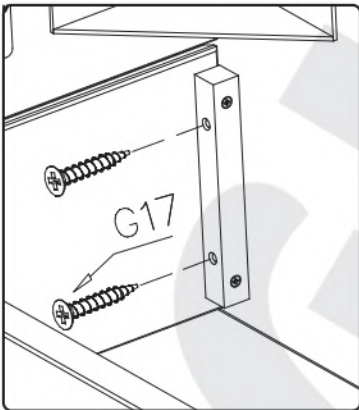
X



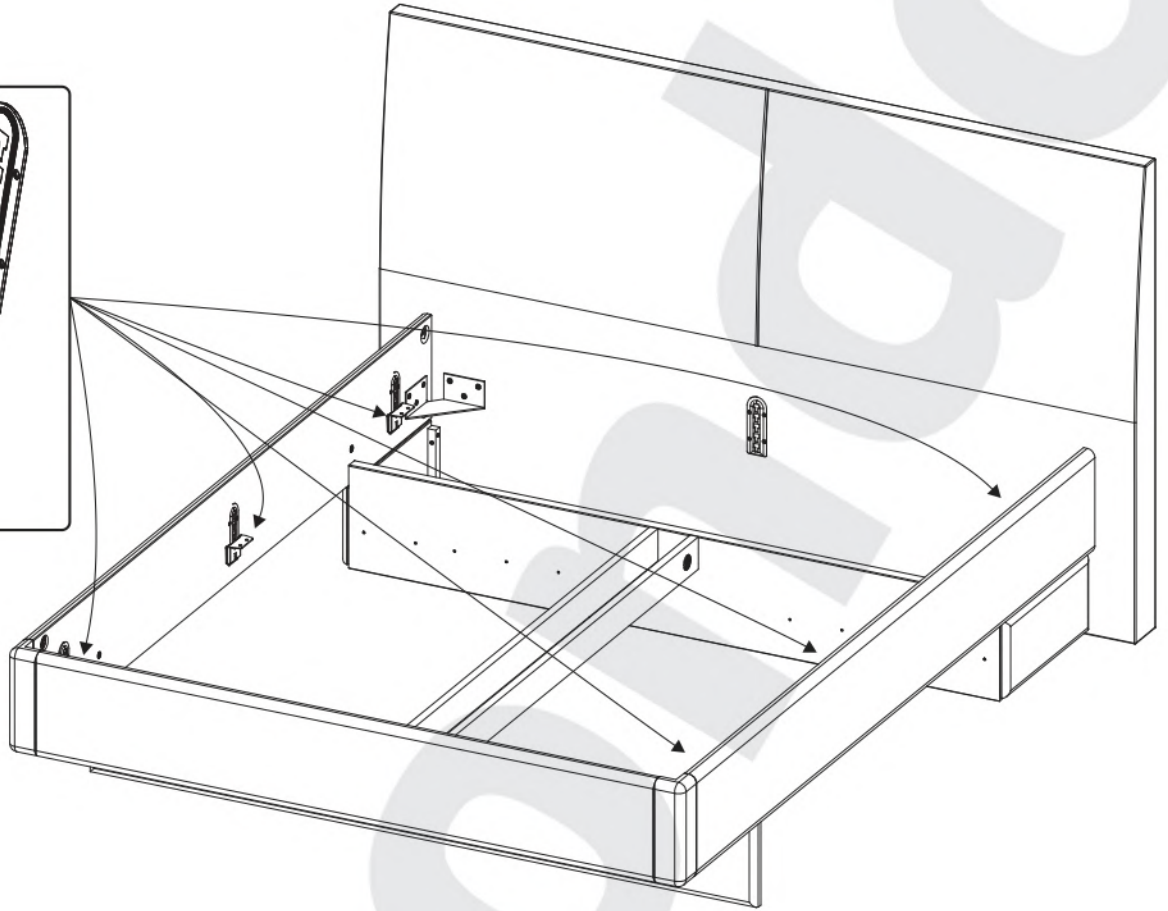
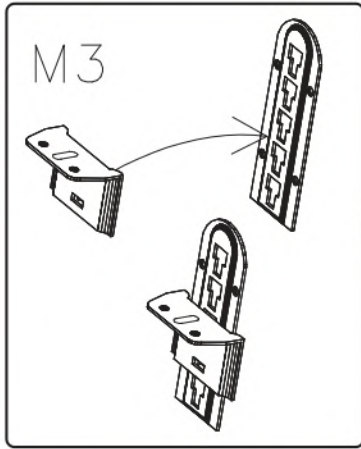
XI



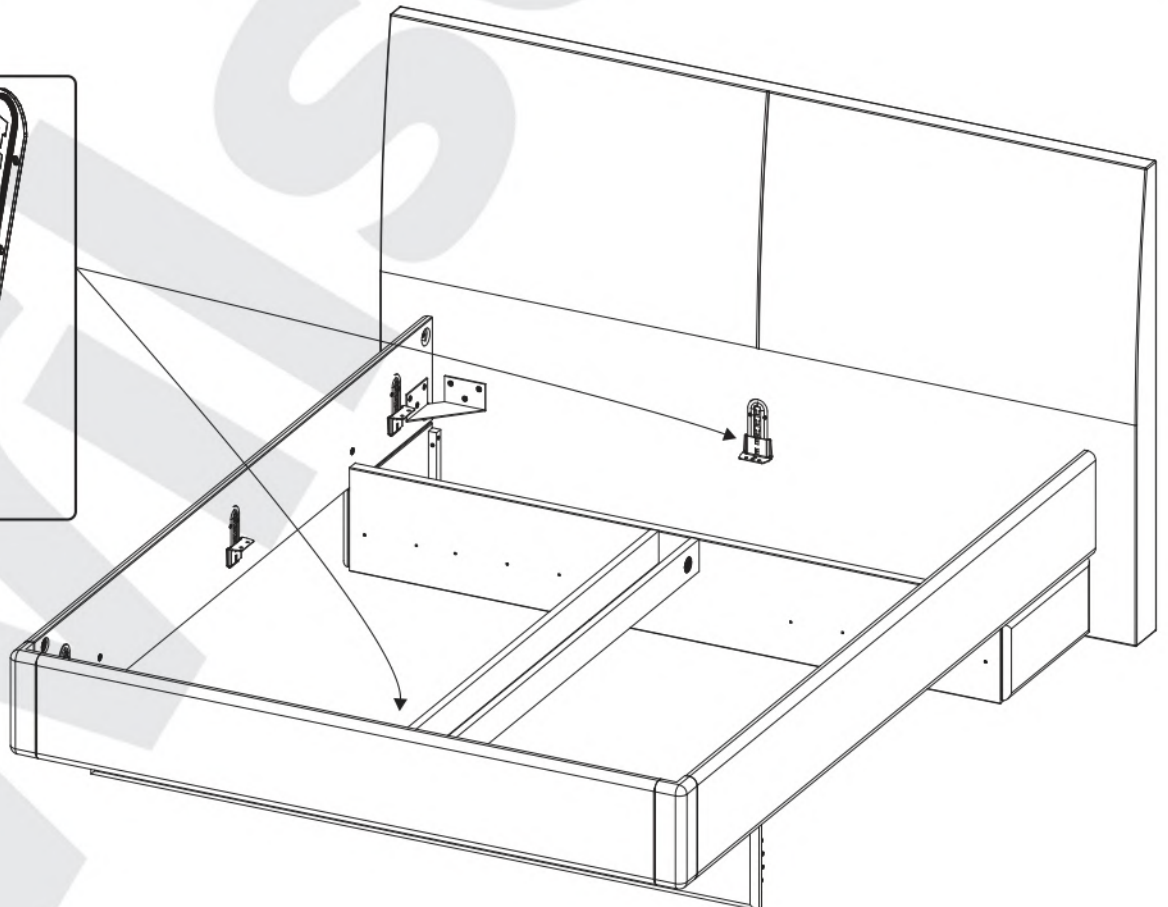
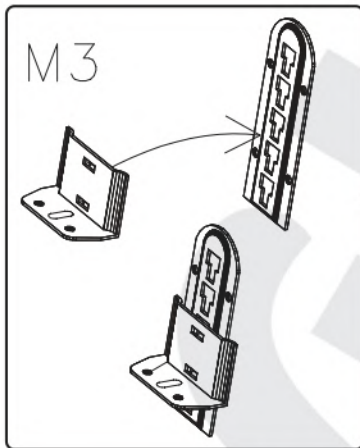
XII



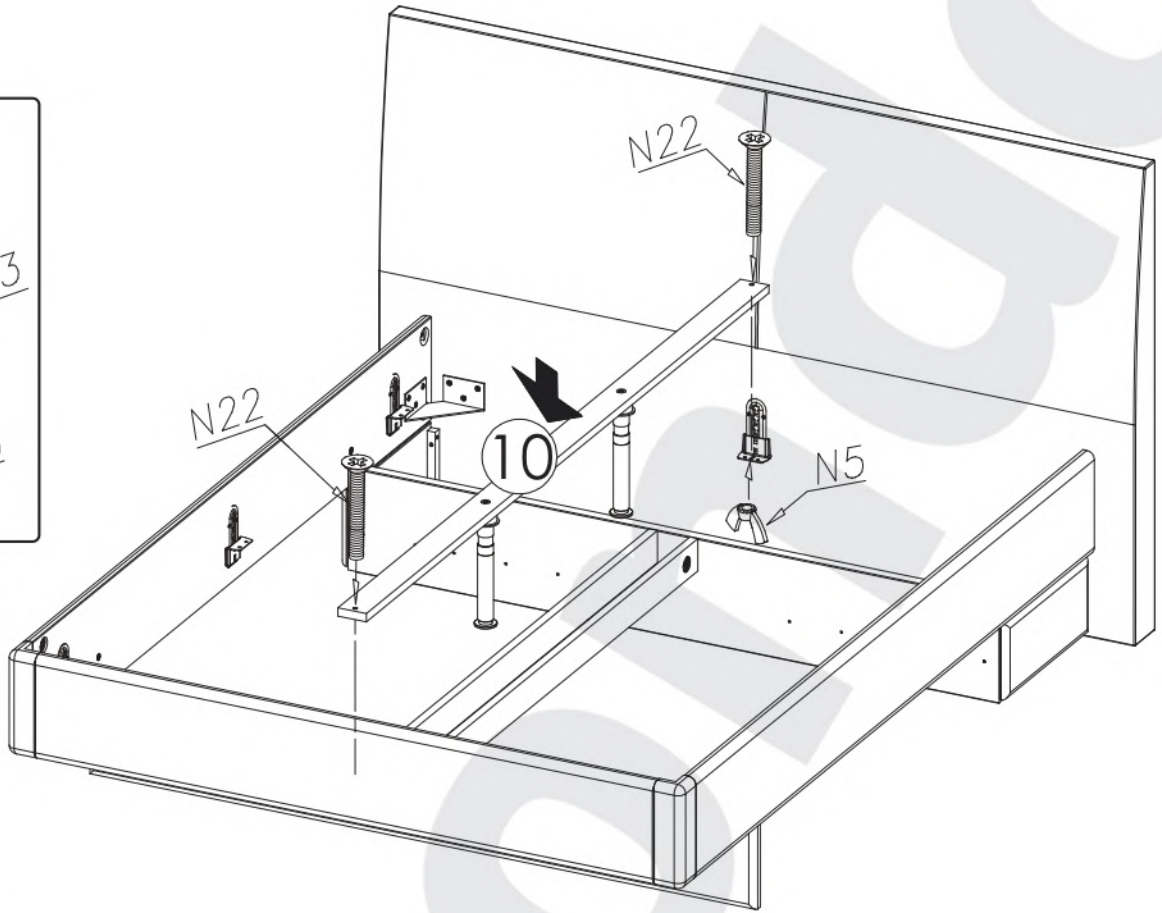
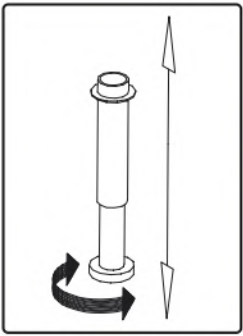
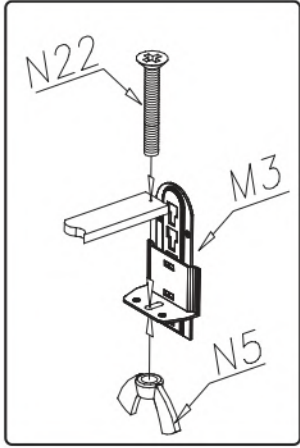
XIII



XIV



XV



XVI

